



PARTS CATALOG

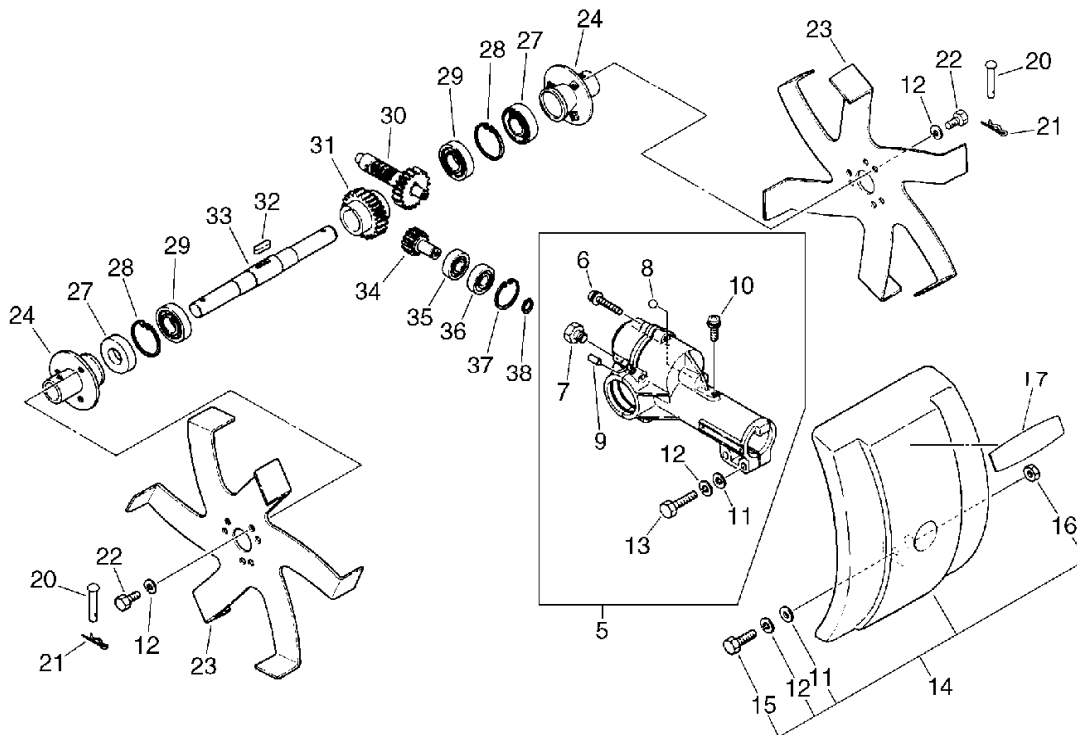
TRIMMER / BRUSHCUTTER ACCESSORY

SRAC-2500

SRAC-2500

1. Gear Case, Cultivator

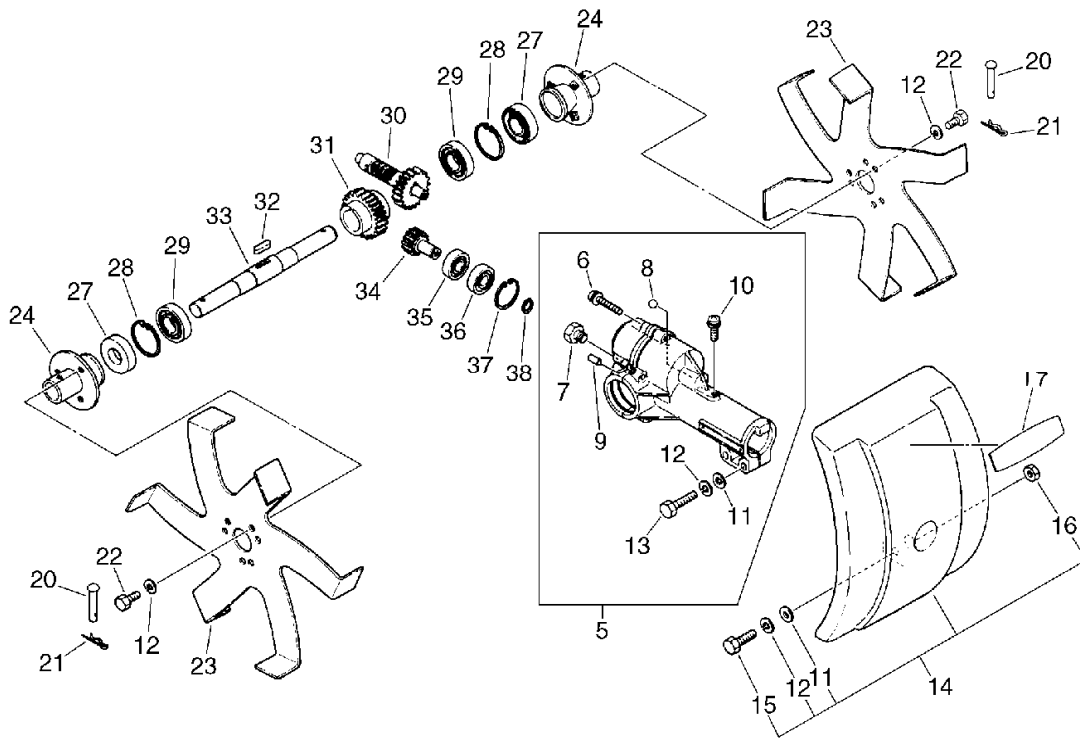
No.1



KEY	LV	PART NUMBER	Q'TY	DESCRIPTION	REMARKS	NOTE1	NOTE2
5		605425-11950	1	HOUSING, GEAR			
6	+	900242-04025	5	SCREW 4*25	4*25		
7	+	900100-08008	1	BOLT 8*8	8*8	Sus. by 610434-50031	
7	+	610434-50030	1	BOLT 8*6		Sus. by 610434-50031	
7	+	610434-50031	1	BOLT 8*8	M8*8		
8	+	900731-01004	1	BALL, STEEL 1/4	1/4		
9	+	605430-11050	2	PIN, DOWEL			
10	+	900242-05014	1	SCREW 5*14	5*14		
11	+	900600-00006	2	WASHER 6	6		
12	+	900605-00006	2	WASHER, SPRING 6	6		
13	+	900100-06025	2	BOLT 6*25	6*25		
14		694000-11050	1	SHIELD (BS)			
11	+	900600-00006	1	WASHER 6	6		
12	+	900605-00006	1	WASHER, SPRING 6	6		
15	+	900100-06020	1	BOLT 6*20	6*20		
16	+	900500-00006	1	NUT 6	6		
17		890317-11051	1	LABEL, CAUTION			
12		900605-00006	6	WASHER, SPRING 6	6		
20		605611-11050	2	PIN			
21		605612-11050	2	CLIP, PIN			
22		900100-06010	6	BOLT 6*10	6*10		
23		690010-11050	2	BLADE (BL)			
24		605610-11050	2	HUB, BLADE (BL)			
27		605416-11050	2	OILSEAL			

1. Gear Case, Cultivator

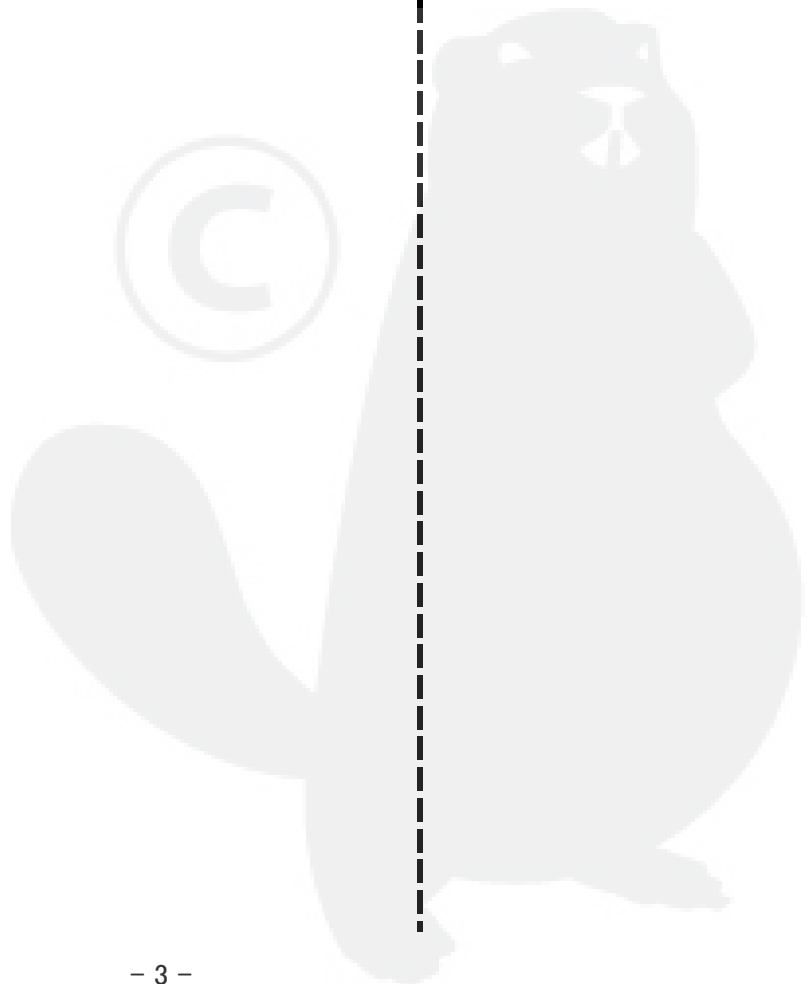
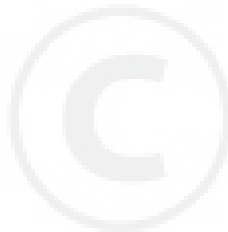
No.1



KEY	LV	PART NUMBER	Q'TY	DESCRIPTION	REMARKS	NOTE1	NOTE2
28		900702-00030	2	CIRCLIP 30	CR-30		
29		900855-06903	2	BEARING, BALL 6903	6903		
30		605305-11050	1	GEAR ASS'Y, DRIVEN			
31		605315-11050	1	WHEEL, WORM			
32		900325-04015	1	KEY, FEATHER 4*15	4*15		
33		605314-11050	1	SHAFT, WORM WHEEL			
34		605310-12050	1	GEAR, DRIVE			
35		900855-06900	1	BEARING, BALL 6900	6900		
36		900858-06900	1	BEARING, BALL 6900Z	6900Z		
37		900702-00022	1	CIRCLIP 22	CR-22		
38		900706-00010	1	CIRCLIP 10	WR-10		

Index

Patrs Number	Key No.	Patrs Number	Key No.	Patrs Number	Key No.
605305-11050	1 - 30				
605310-12050	1 - 34				
605314-11050	1 - 33				
605315-11050	1 - 31				
605416-11050	1 - 27				
605425-11950	1 - 5				
605430-11050	1 - 9				
605610-11050	1 - 24				
605611-11050	1 - 20				
605612-11050	1 - 21				
610434-50030	1 - 7				
610434-50031	1 - 7				
690010-11050	1 - 23				
694000-11050	1 - 14				
890317-11051	1 - 17				
900100-06010	1 - 22				
900100-06020	1 - 15				
900100-06025	1 - 13				
900100-08008	1 - 7				
900242-04025	1 - 6				
900242-05014	1 - 10				
900325-04015	1 - 32				
900500-00006	1 - 16				
900600-00006	1 - 11				
900600-00006	1 - 11				
900605-00006	1 - 12				
900605-00006	1 - 12				
900605-00006	1 - 12				
900702-00022	1 - 37				
900702-00030	1 - 28				
900706-00010	1 - 38				
900731-01004	1 - 8				
900855-06900	1 - 35				
900855-06903	1 - 29				
900858-06900	1 - 36				



YAMABIKO CORPORATION

7-2 SUEHIROCHO 1-CHOME, OHME, TOKYO 198-8760, JAPAN
PHONE: 81-428-32-6118. FAX: 81-428-32-6145.

ECHO[®]



2500
No.