



PARTS CATALOG

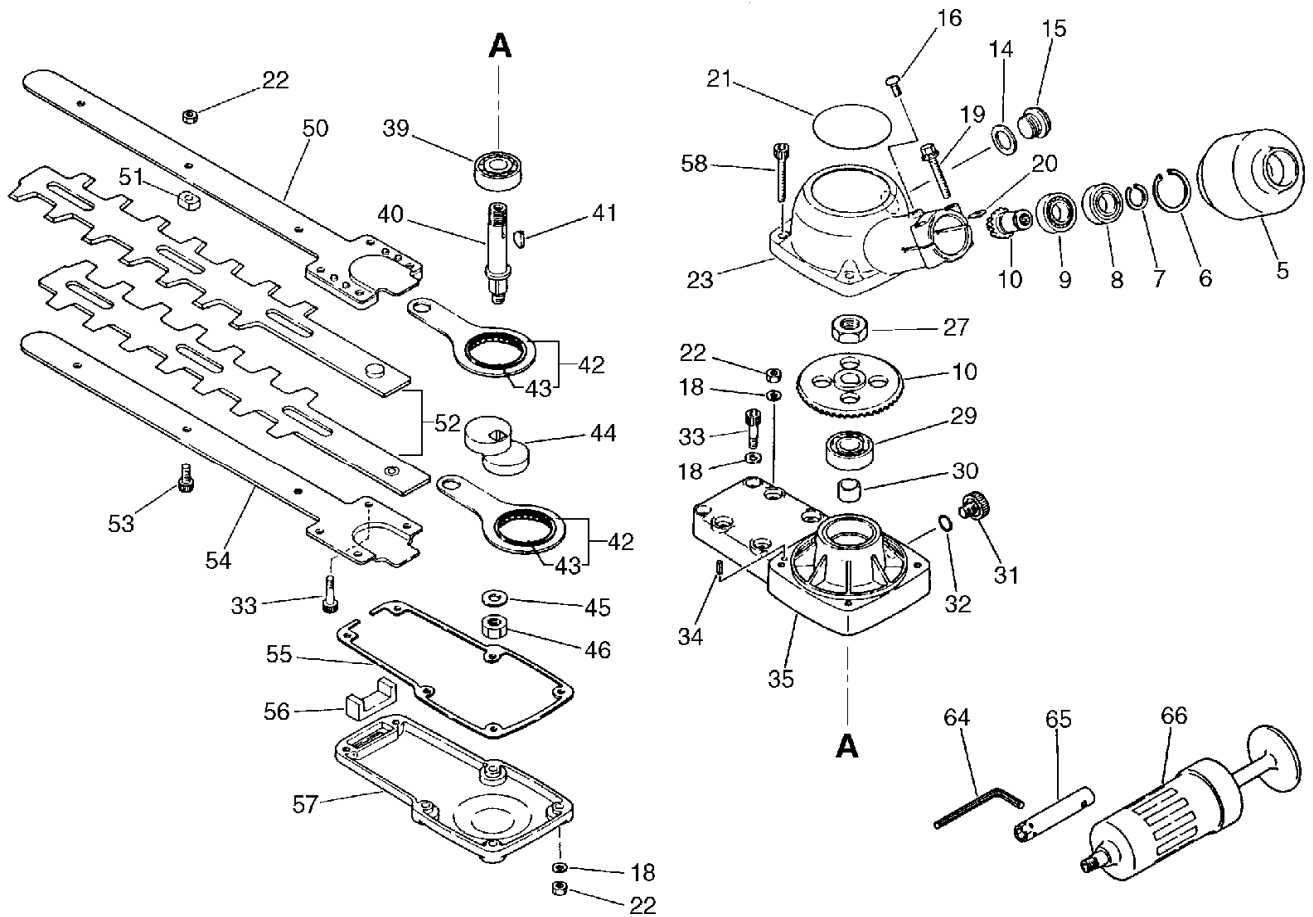
TRIMMER / BRUSHCUTTER ACCESSORY

RSAR-3000

RSAR-3000

1. Gear Case, Cutter, Tools

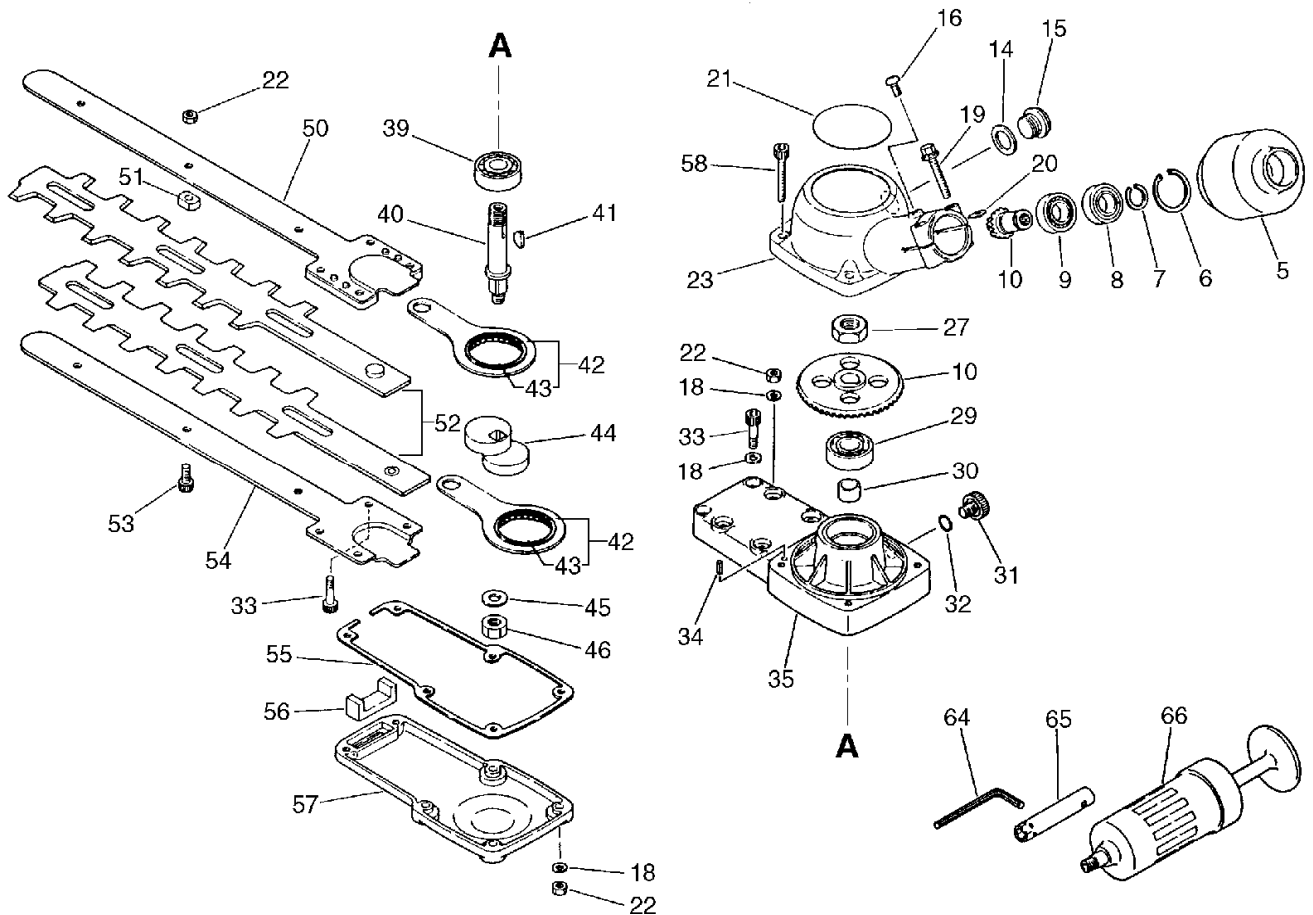
No.1



KEY	LV	PART NUMBER	Q'TY	DESCRIPTION	REMARKS	NOTE1	NOTE2
5		610435-05130	1	COVER, WATERPROOF			
6		900702-00028	1	CIRCLIP 28	CR-28		
7		900706-00012	1	CIRCLIP 12	WR-12		
8		900801-06001	1	BEARING, BALL 6001	6001DU (LU)		
9		900800-06001	1	BEARING, BALL 6001	6001		
10		610300-41030	1	GEAR SET			
14		610511-01230	1	GASKET, PLUG			
15		610510-01930	1	PLUG, INJECT			
16		900220-05010	1	SCREW 5*10	5*10		
18		900600-00005	10	WASHER 5	5		
19		900142-05035	2	BOLT 5*35 (W/W,SW)	5*35		
20		610239-04130	2	WASHER, SHIM			
21		890135-41030	1	LABEL, MODEL			
22		900562-00005	11	NUT, LOCK	5		
23		610410-05131	1	HOUSING, GEAR			
27		900503-00012	1	NUT 12 (3N *1.25)	3N12*P1.25		
29		900810-06201	1	BEARING, BALL 6201	6201		
30		610315-05130	1	SPACER, DRIVEN SHAFT			
31		610434-03830	1	PLUG, INJECT			
32		900720-00008	1	O-RING 8	P-8		
33		900105-05022	6	BOLT, H.S. 5*22	5*22		
34		900340-30010	1	PIN, SPRING 3*10	3*10		
35		610408-05130	1	HOUSING, CAM (BS)			
39		900811-06201	1	BEARING, BALL 6201DU	6201DU(LU)		
40		610310-05130	1	SHAFT, P.T.O.			
41		610325-02730	1	KEY, WOODRUFF			

1. Gear Case, Cutter, Tools

No.1



KEY	LV	PART NUMBER	Q'TY	DESCRIPTION	REMARKS	NOTE1	NOTE2
42		610307-05130	2	CON-ROD ASSY			
43	+	610327-01260	2	BEARING, NEEDLE			
44		610327-40930	1	CAM			
45		900600-00008	1	WASHER 8	8		
46		610320-03830	1	NUT 8 L-H			
50		699110-05130	1	BAR, FRAME (UPPER)			
51		699111-05130	3	SPACER, CUTTER			
52		697000-05130	1	CUTTER SET			
53		900105-05014	3	BOLT, H.S. 5*14	5*14		
54		699117-05130	1	SUPPORT, CUTTER (L)			
55		610414-05130	1	GASKET, GEAR HOUSING			
56		610426-05130	1	SEAL			
57		610411-05130	1	COVER, GEAR HOUS.(BS			
58		900162-05043	4	BOLT, H.S. 5*43	5*43 W,SW		
64		895610-00130	1	L-WRENCH (4MM)			
65		895314-03430	1	WRENCH, BOX 8			
66		880300-03830	1	PUMP ASS'Y, GREASE			

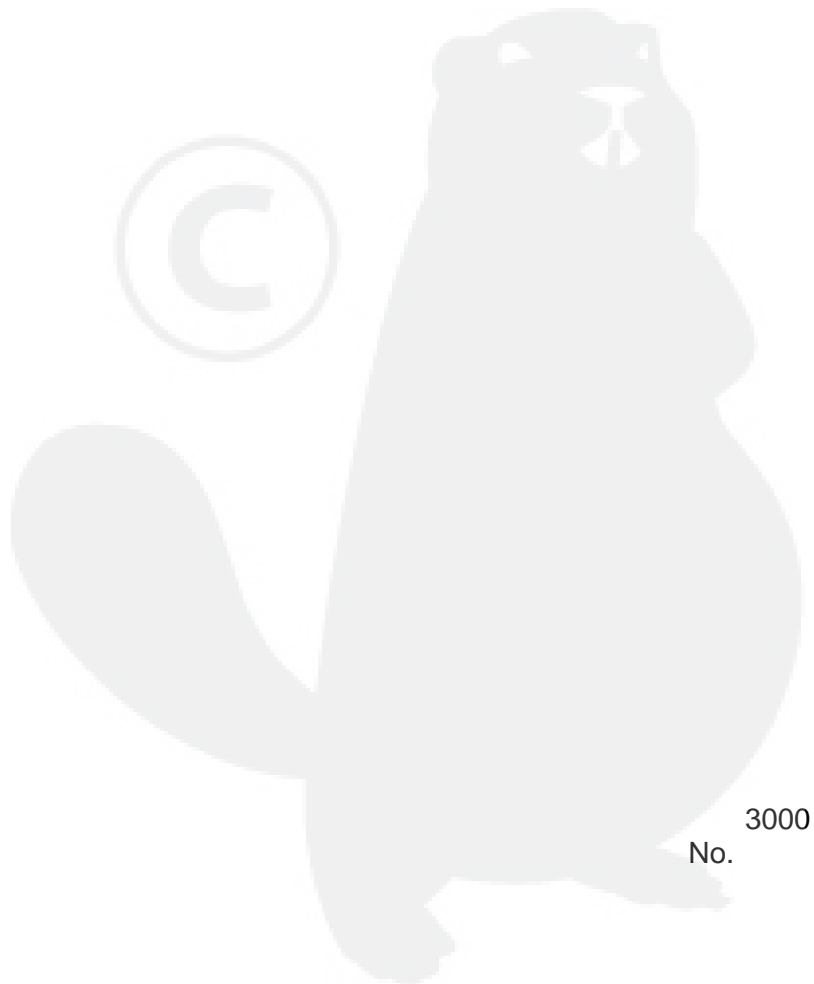
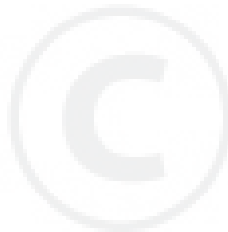
Index

Patrs Number	Key No.	Patrs Number	Key No.	Patrs Number	Key No.
610239-04130	1 - 20				
610300-41030	1 - 10				
610307-05130	1 - 42				
610310-05130	1 - 40				
610315-05130	1 - 30				
610320-03830	1 - 46				
610325-02730	1 - 41				
610327-01260	1 - 43				
610327-40930	1 - 44				
610408-05130	1 - 35				
610410-05131	1 - 23				
610411-05130	1 - 57				
610414-05130	1 - 55				
610426-05130	1 - 56				
610434-03830	1 - 31				
610435-05130	1 - 5				
610510-01930	1 - 15				
610511-01230	1 - 14				
697000-05130	1 - 52				
699110-05130	1 - 50				
699111-05130	1 - 51				
699117-05130	1 - 54				
880300-03830	1 - 66				
890135-41030	1 - 21				
895314-03430	1 - 65				
895610-00130	1 - 64				
900105-05014	1 - 53				
900105-05022	1 - 33				
900142-05035	1 - 19				
900162-05043	1 - 58				
900220-05010	1 - 16				
900340-30010	1 - 34				
900503-00012	1 - 27				
900562-00005	1 - 22				
900600-00005	1 - 18				
900600-00008	1 - 45				
900702-00028	1 - 6				
900706-00012	1 - 7				
900720-00008	1 - 32				
900800-06001	1 - 9				
900801-06001	1 - 8				
900810-06201	1 - 29				
900811-06201	1 - 39				

YAMABIKO CORPORATION

7-2 SUEHIROCHO 1-CHOME, OHME, TOKYO 198-8760, JAPAN
PHONE: 81-428-32-6118. FAX: 81-428-32-6145.

ECHO[®]



3000
No.