



# **PARTS CATALOG**

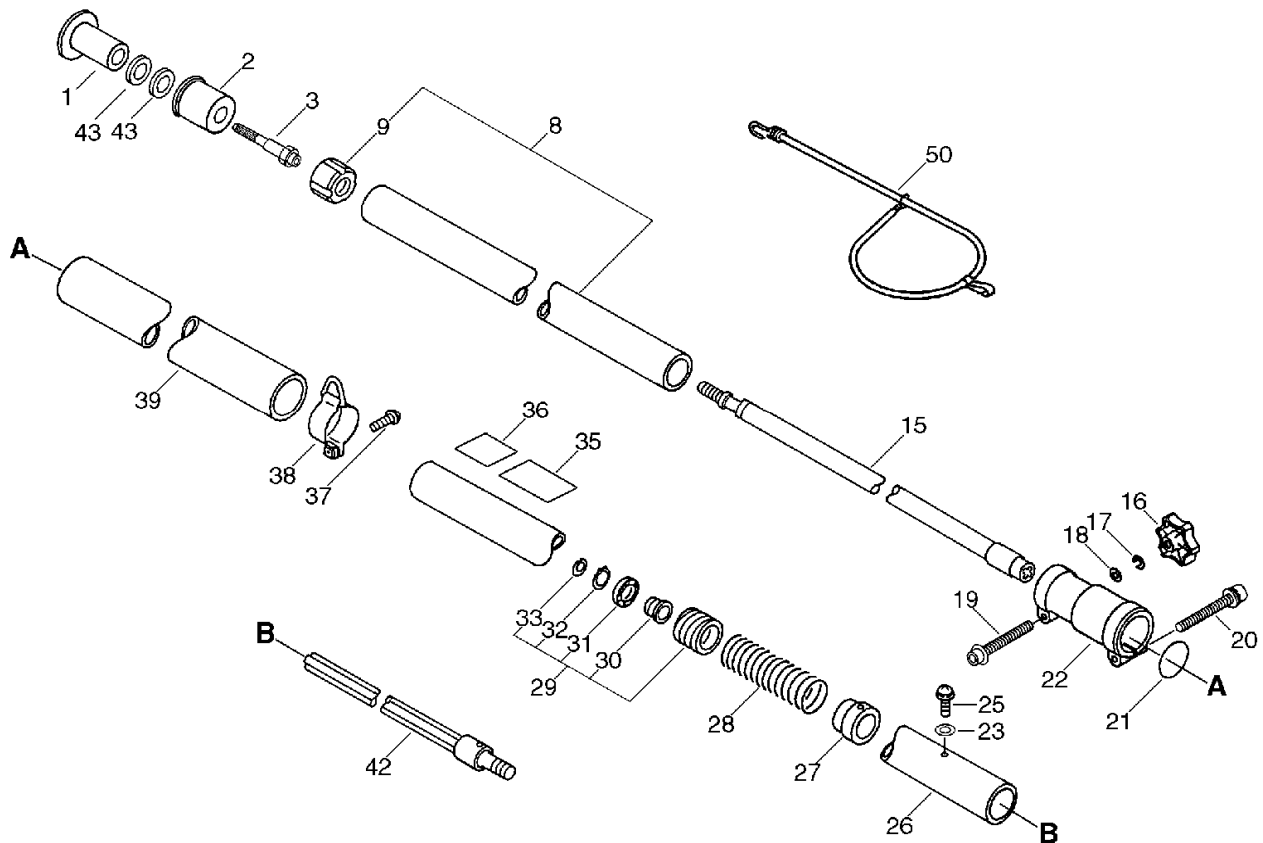
## **TRIMMER / BRUSHCUTTER ACCESSORY**

**EHV-4(2003 and after)**

- 7174

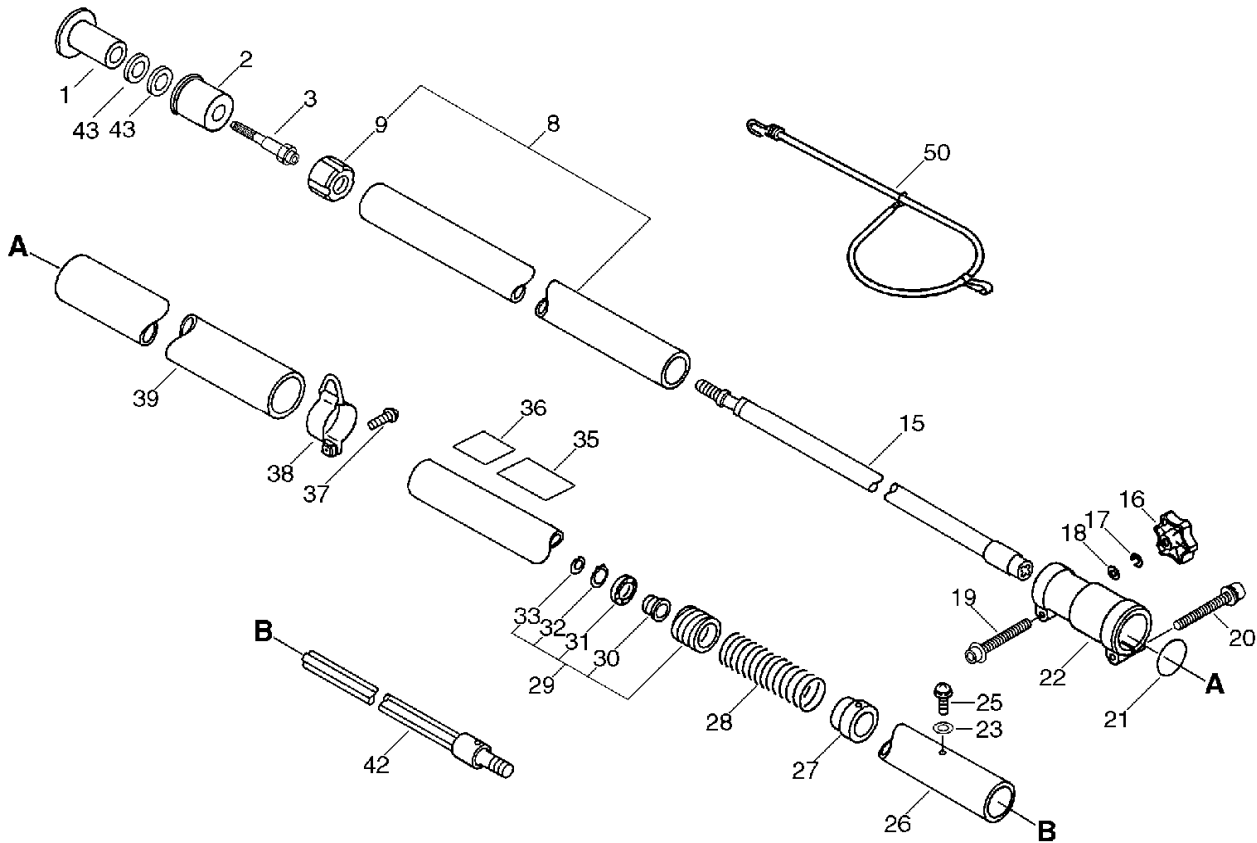
EHV-4(2003 and after)

## 1. Main Pipe



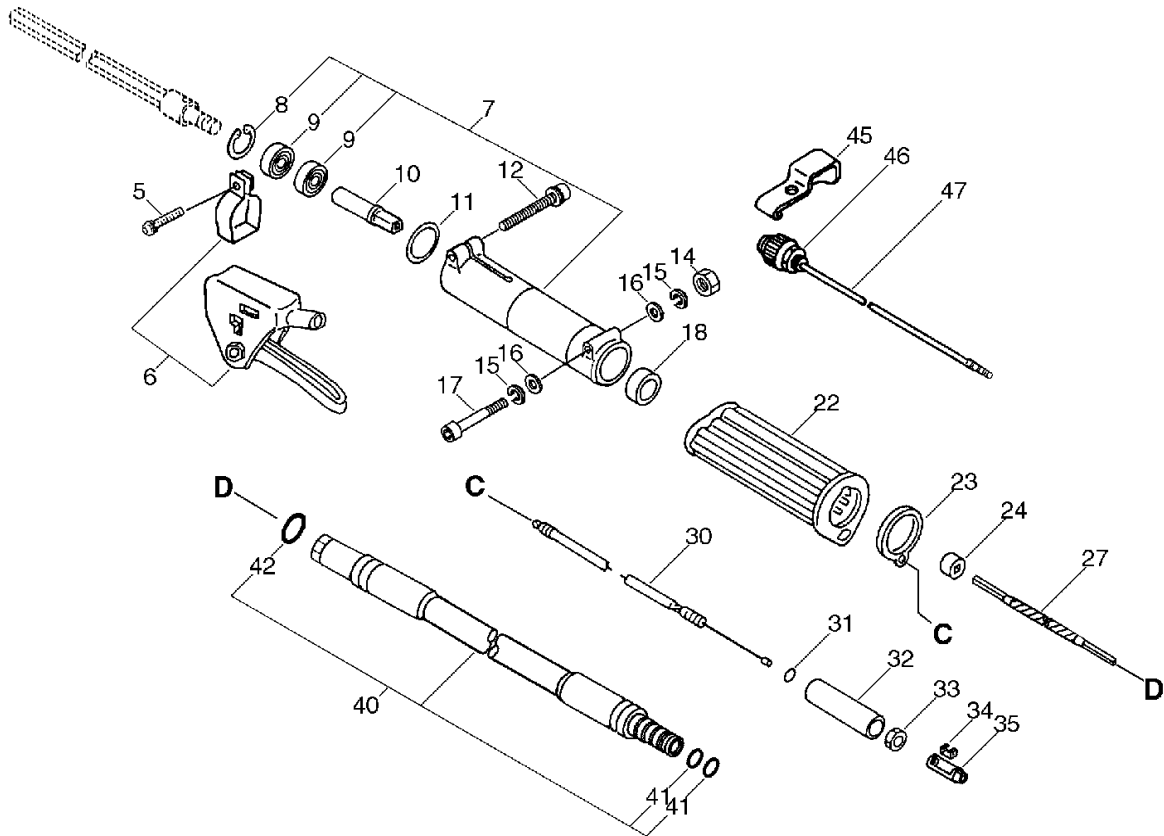
KEY	LV	PART NUMBER	Q'TY	DESCRIPTION	REMARKS	NOTE1	NOTE2
1		C595-000130	1	SLEEVE		Sus. by C595-000131	
1		C595-000131	1	SLEEVE			
2		C595-000120	1	SLEEVE			
3		C505-000080	1	CONNECTOR, SHAFT			
8		C050-000310	1	PIPE, MAIN			
9	+	C501-000000	3	BEARING, SHAFT			
15		C504-000181	1	SHAFT, DRIVE			
16		V299-000140	1	KNOB, FASTENER			
17		900605-00006	1	WASHER, SPRING 6	6		
18		900600-00006	1	WASHER 6	6		
19		900162-06040	1	BOLT, H.S. 6*40	6*40 W, SW		
20		900162-06030	1	BOLT, H.S. 6*30	6*30W, SW		
21		92504-02500	1	O-RING	S25		
22		C510-000030	1	COUPLING, MAIN PIPE			
23		900603-00004	1	WASHER 4	4.5*10*0.8	Sr/Nr 002641 and after	
25		900242-04008	1	SCREW	4*8		
26		610258-27630	1	SWIVEL, D.S.HOUS.(SL			
27		610115-27630	1	SPACER			
28		610120-27630	1	SPRING			
29		610106-27630	1	HOUSING ASSY, OPE			
30	+	610117-27630	1	SPACER			
31	+	900904-06801	1	BEARING, BALL 6801ZZ	6801ZZ		
32	+	900707-00021	1	CIRCLIP BR-21	BR-21		
33	+	900706-00012	1	CIRCLIP 12	WR-12		

1. Main Pipe



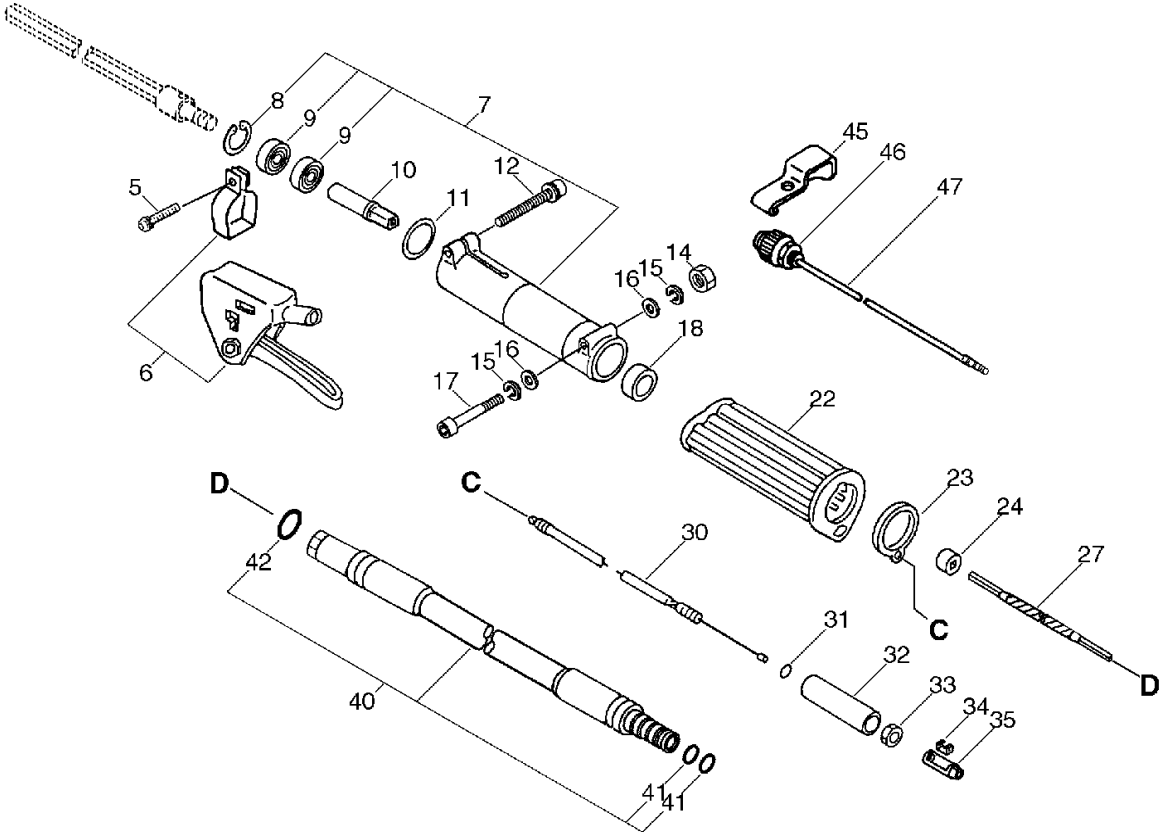
KEY	LV	PART NUMBER	Q'TY	DESCRIPTION	REMARKS	NOTE1	NOTE2
35		890617-07660	1	LABEL, CAUTION			
36		890160-42230	1	LABEL, CAUTION			
37		900242-05014	1	SCREW 5*14	5*14		
38		301200-27630	1	HOOK ASSY			
39		610271-27630	1	GRIP			
42		C504-000090	1	SHAFT,DRIVE		Sus. by C504-000202	
42		C504-000201	1	SHAFT,DRIVE		Sus. by C504-000202	
42		C504-000202	1	SHAFT,DRIVE			
43		V307-000120	3	WASHER,CIRCULAR 10			
50		300500-07131	1	ROPE, ELASTIC			

## 2. Throttle



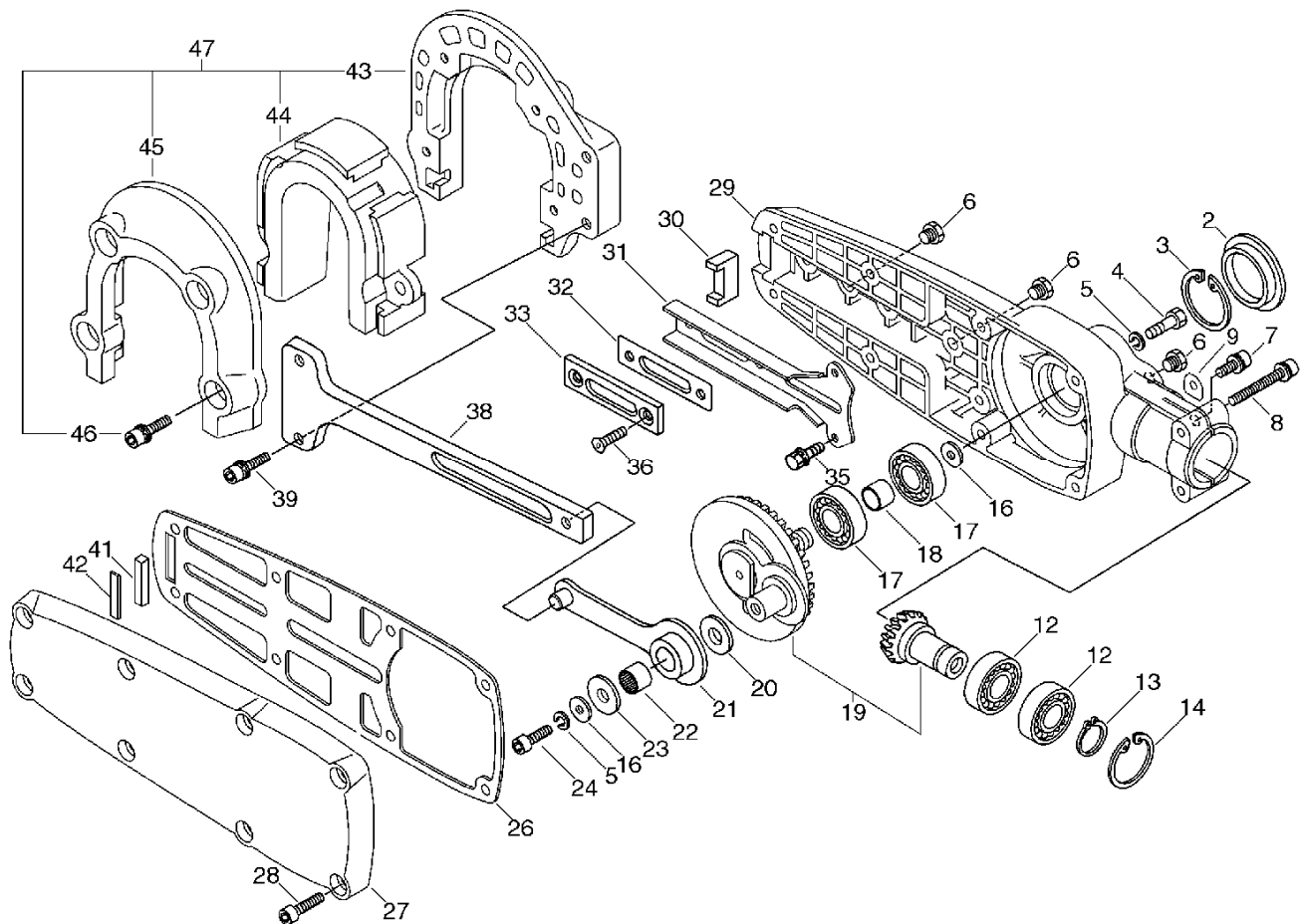
KEY	LV	PART NUMBER	Q'TY	DESCRIPTION	REMARKS	NOTE1	NOTE2
5		900242-05025	1	SCREW 5*25	5*25		
6		178000-27630	1	CONTROL, THROTTLE			
7		P021-002631	1	CONNECTOR			
8	+	900702-00022	1	CIRCLIP 22	CR-22		
9	+	900814-00627	2	BEARING, BALL 627	627ZZ		
10		C505-000062	1	CONNECTOR, SHAFT			
11		610511-27630	1	GASKET			
12		900162-06030	1	BOLT, H.S. 6*30	6*30W, SW		
14		900500-00006	1	NUT 6	6		
15		900605-00006	2	WASHER, SPRING 6	6		
16		900617-00006	2	WASHER 6	6		
17		V204-000010	1	BOLT, 6			
18		V541-000020	1	SEAL			
22		C412-000031	1	GRIP, HANDLE			
23		178112-07130	1	GUIDE, THROTTLE WIRE			
24		610020-07131	1	ADAPTER, FLX. SHAFT			
27		C506-000050	1	SHAFT, FLEXIBLE			
30		V430-000870	1	CABLE, BOWDEN			
31		178133-22330	1	RING			
32		178128-05630	1	SLEEVE			
33		178021-05530	1	LOCKNUT			
34		178049-06630	1	CONNECTOR			
35		178114-05630	1	CONNECTOR, THR. WIRE			
40		P021-003401	1	COVER, FLEX SHAFT			
41	+	900720-00018	2	O-RING 18	P-18		
42	+	900720-00022	1	O-RING 22	P-22		

2. Throttle



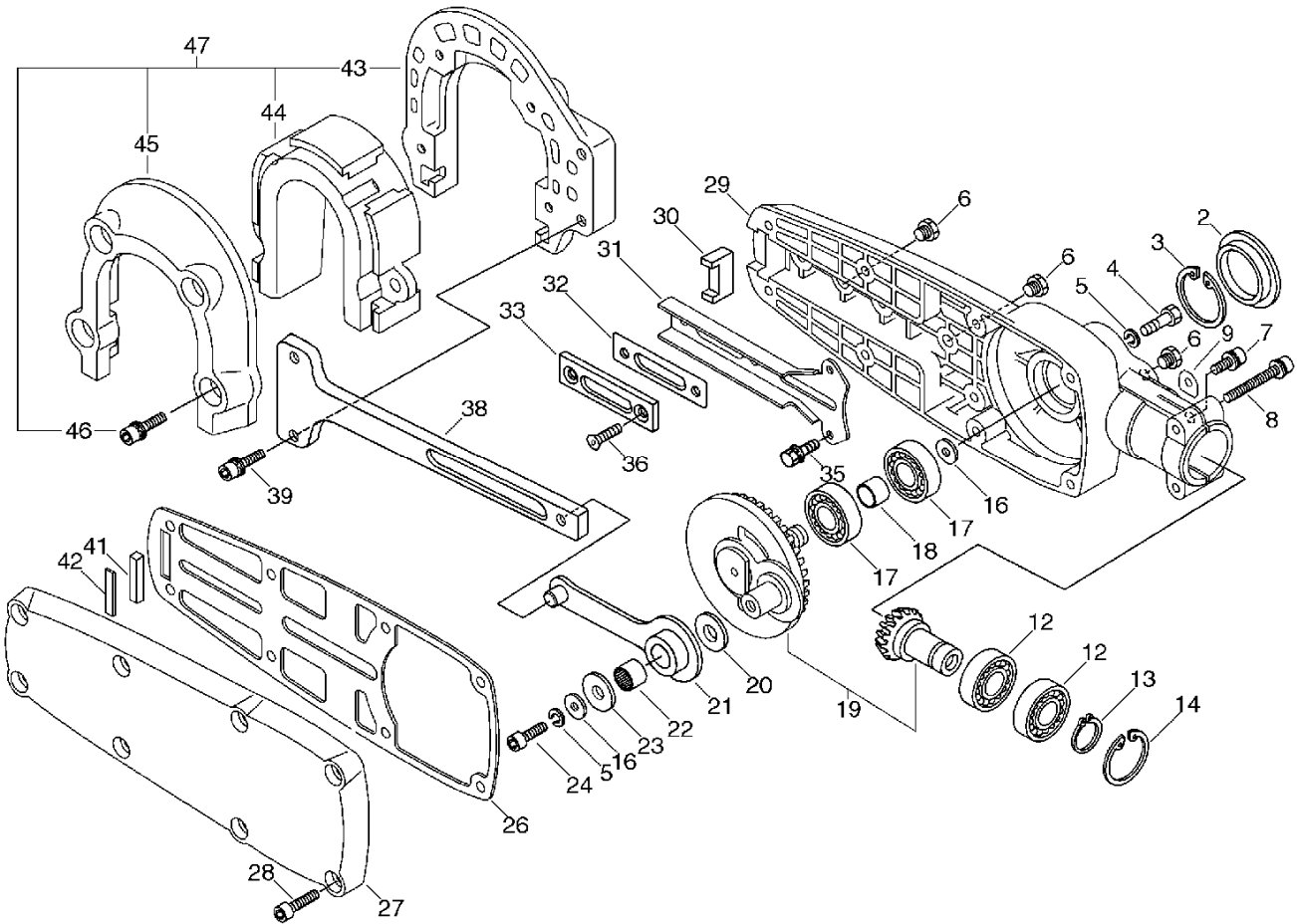
KEY	LV	PART NUMBER	Q'TY	DESCRIPTION	REMARKS	NOTE1	NOTE2
45		163810-27630	1	BRACKET, SWITCH			
46		900503-00008	1	NUT	3N8*P1.0		
47		166101-06630	1	SWITCH			

## 3. Gear Case, Hook



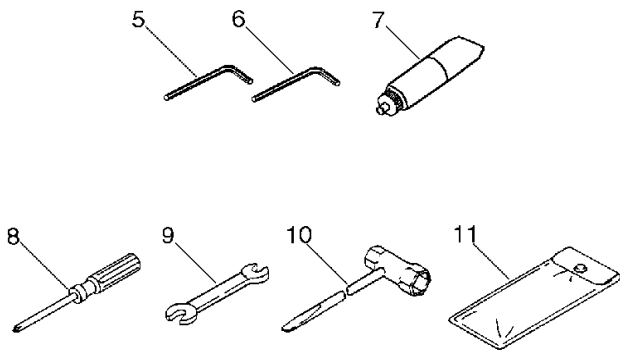
KEY	LV	PART NUMBER	Q'TY	DESCRIPTION	REMARKS	NOTE1	NOTE2
2		610431-27630	1	PLUG			
3		900702-00026	1	CIRCLIP 26	CR-26		
4		900100-05014	1	BOLT 5*14	5*14		
5		900605-00005	2	WASHER, SPRING 5	5		
6		610434-50031	3	BOLT 8*8	M8*8		
7		900162-05012	1	BOLT, H.S. 5*12	5*12 W,SW	Sus. by 900162-05014	
7		900162-05014	1	BOLT, H.S. 5*14	5*14 W,SW		
8		900162-05028	2	BOLT, H.S. 5*28	5*28 W,SW		
9		610239-04130	2	WASHER, SHIM			
12		900858-06901	2	BEARING,BALL BB6901Z	BB6901Z		
13		900706-00012	1	CIRCLIP 12	WR-12		
14		900702-00024	1	CIRCLIP 24	CR-24		
16		177214-02830	2	WASHER	5.2*16*1.0T		
17		900803-06000	2	BEARING,BALL BB6000Z	6000Z		
18		610315-27630	1	SPACER,DRIVEN SHAFT			
19		P021-003391	1	GEAR SET			
20		V311-000020	1	WASHER,CIRCULAR 16-1			
21		C532-000050	1	ROD,CONNECTING			
22		V555-000030	1	BEARING,NEEDLE 10	NK10/12T2		
23		V307-000090	1	WASHER,CIRCULAR 10			
24		900105-05014	1	BOLT, H.S. 5*14	5*14		
26		C538-000080	1	GUIDE,CUTTER			
27		C539-000000	1	LID,GEARCASE			
28		900105-05018	8	BOLT, H.S. 5*18	5*18		

3. Gear Case, Hook



KEY	LV	PART NUMBER	Q'TY	DESCRIPTION	REMARKS	NOTE1	NOTE2
29		C531-000140	1	CASE,GEAR		Sus. by C531-000141	
29		C531-000141	1	CASE,GEAR			
30		V541-000080	1	SEAL			
31		C538-000062	1	GUIDE,CUTTER			
32		V109-000010	1	GASKET			
33		C538-000070	1	GUIDE,CUTTER			
35		900142-05014	2	BOLT 5*14 (W/W,SW)	5*14		
36		900175-05020	2	BOLT, H.S.H	5*20		
38		C532-000040	1	ROD,CONNECTING			
39		900162-06018	2	BOLT, H.S.H	6*18 W, SW		
41		V541-000090	1	SEAL			
42		V376-000330	1	SPACER			
47		P021-005920	1	HOOK ASY			
43	+	C570-000011	1	HOOK,WORKING			
44	+	V420-000611	1	CUSHION			
45	+	C570-000021	1	HOOK,WORKING			
46	+	900162-05022	4	BOLT, H.S. 5*22	5*22 W,SW		

4. Tools



KEY	LV	PART NUMBER	Q'TY	DESCRIPTION	REMARKS	NOTE1	NOTE2
5		895610-00130	1	L-WRENCH (4MM)			
6		895611-00330	1	L-WRENCH (5MM)			
7		X695-000010	1	GREASE TUBE			
8		895710-00430	1	DRIVER, SCREW			
9		895112-00330	1	SPANNER 8*10			
10		895410-02830	1	WRENCH, W/S. DRIVER			
11		898510-39130	1	BAG, TOOL			



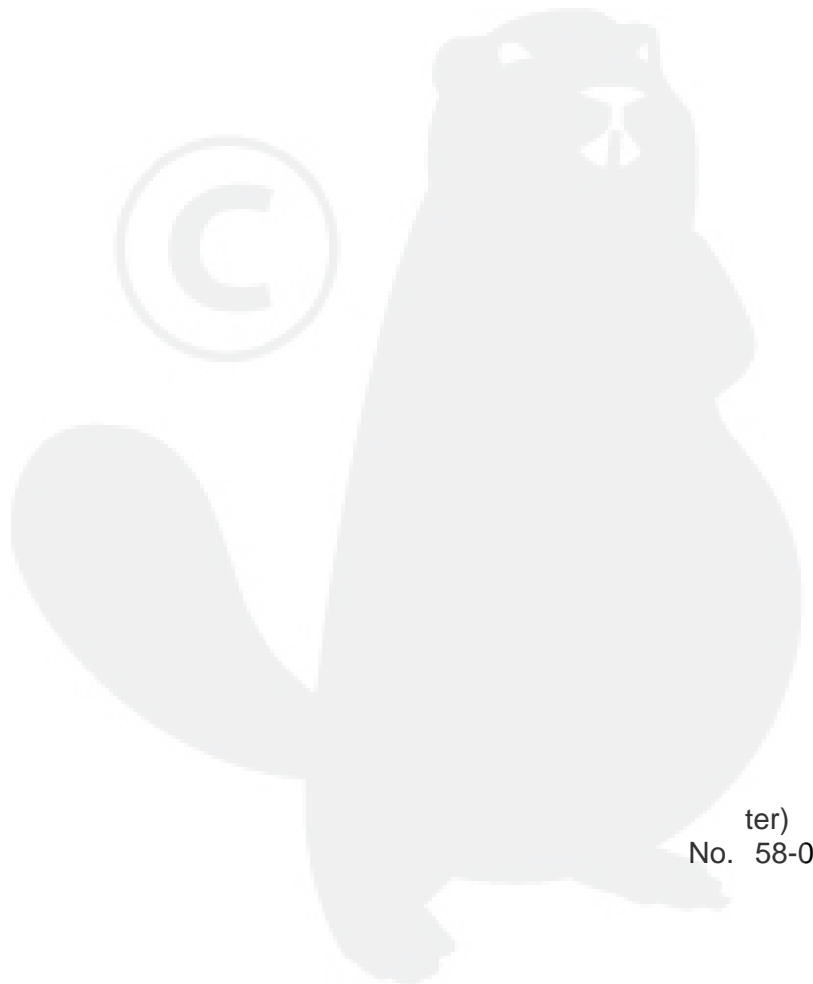
**Index**

<b>Patrs Number</b>	<b>Key No.</b>	<b>Patrs Number</b>	<b>Key No.</b>	<b>Patrs Number</b>	<b>Key No.</b>
163810-27630	2 - 45	900503-00008	2 - 46	V204-000010	2 - 17
166101-06630	2 - 47	900600-00006	1 - 18	V299-000140	1 - 16
177214-02830	3 - 16	900603-00004	1 - 23	V307-000090	3 - 23
178000-27630	2 - 6	900605-00005	3 - 5	V307-000120	1 - 43
178021-05530	2 - 33	900605-00006	1 - 17	V311-000020	3 - 20
178049-06630	2 - 34	900605-00006	2 - 15	V376-000330	3 - 42
178112-07130	2 - 23	900617-00006	2 - 16	V420-000611	3 - 44
178114-05630	2 - 35	900702-00022	2 - 8	V430-000870	2 - 30
178128-05630	2 - 32	900702-00024	3 - 14	V541-000020	2 - 18
178133-22330	2 - 31	900702-00026	3 - 3	V541-000080	3 - 30
300500-07131	1 - 50	900706-00012	1 - 33	V541-000090	3 - 41
301200-27630	1 - 38	900706-00012	3 - 13	V555-000030	3 - 22
610020-07131	2 - 24	900707-00021	1 - 32	X695-000010	4 - 7
610106-27630	1 - 29	900720-00018	2 - 41		
610115-27630	1 - 27	900720-00022	2 - 42		
610117-27630	1 - 30	900803-06000	3 - 17		
610120-27630	1 - 28	900814-00627	2 - 9		
610239-04130	3 - 9	900858-06901	3 - 12		
610258-27630	1 - 26	900904-06801	1 - 31		
610271-27630	1 - 39	92504-02500	1 - 21		
610315-27630	3 - 18	C050-000310	1 - 8		
610431-27630	3 - 2	C412-000031	2 - 22		
610434-50031	3 - 6	C501-000000	1 - 9		
610511-27630	2 - 11	C504-000090	1 - 42		
890160-42230	1 - 36	C504-000181	1 - 15		
890617-07660	1 - 35	C504-000201	1 - 42		
895112-00330	4 - 9	C504-000202	1 - 42		
895410-02830	4 - 10	C505-000062	2 - 10		
895610-00130	4 - 5	C505-000080	1 - 3		
895611-00330	4 - 6	C506-000050	2 - 27		
895710-00430	4 - 8	C510-000030	1 - 22		
898510-39130	4 - 11	C531-000140	3 - 29		
900100-05014	3 - 4	C531-000141	3 - 29		
900105-05014	3 - 24	C532-000040	3 - 38		
900105-05018	3 - 28	C532-000050	3 - 21		
900142-05014	3 - 35	C538-000062	3 - 31		
900162-05012	3 - 7	C538-000070	3 - 33		
900162-05014	3 - 7	C538-000080	3 - 26		
900162-05022	3 - 46	C539-000000	3 - 27		
900162-05028	3 - 8	C570-000011	3 - 43		
900162-06018	3 - 39	C570-000021	3 - 45		
900162-06030	1 - 20	C595-000120	1 - 2		
900162-06030	2 - 12	C595-000130	1 - 1		
900162-06040	1 - 19	C595-000131	1 - 1		
900175-05020	3 - 36	P021-002631	2 - 7		
900242-04008	1 - 25	P021-003391	3 - 19		
900242-05014	1 - 37	P021-003401	2 - 40		
900242-05025	2 - 5	P021-005920	3 - 47		
900500-00006	2 - 14	V109-000010	3 - 32		

# YAMABIKO CORPORATION

7-2 SUEHIROCHO 1-CHOME, OHME, TOKYO 198-8760, JAPAN  
PHONE: 81-428-32-6118. FAX: 81-428-32-6145.

**ECHO**<sup>®</sup>



ter)  
No. 58-092