



PARTS CATALOG

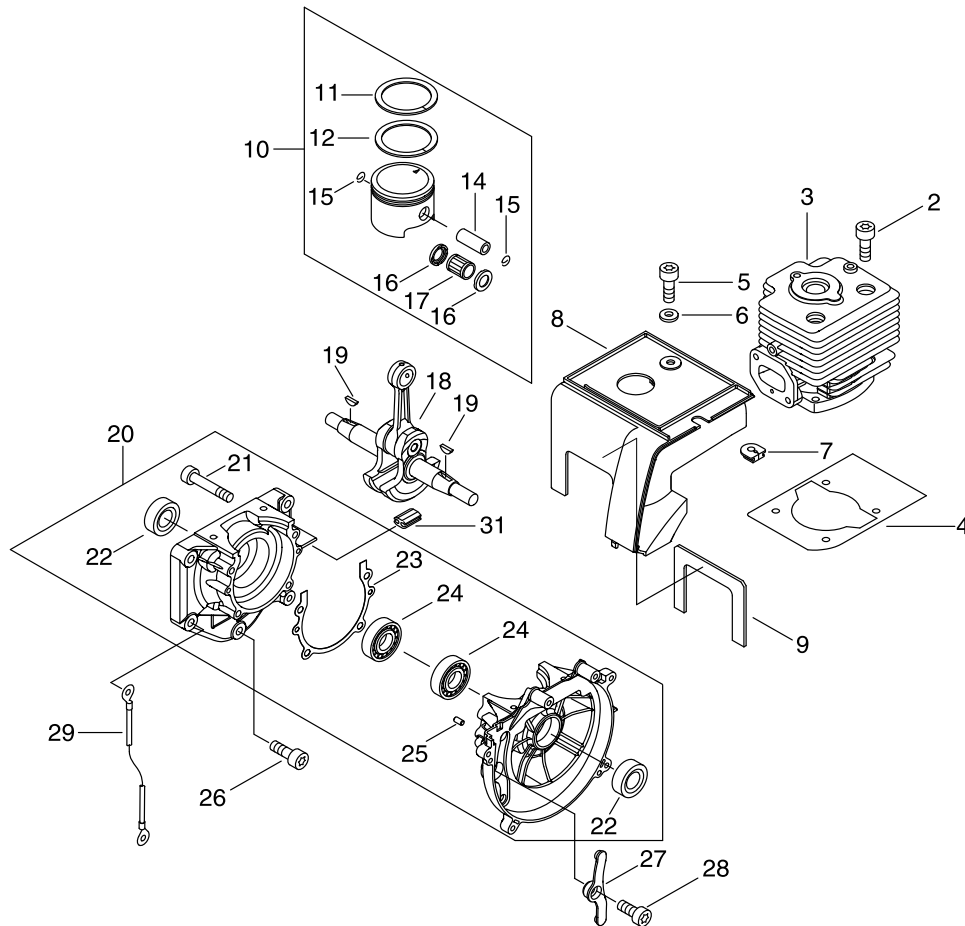
BACKPACK BLOWER

PB-760LN(37)

37000001 -

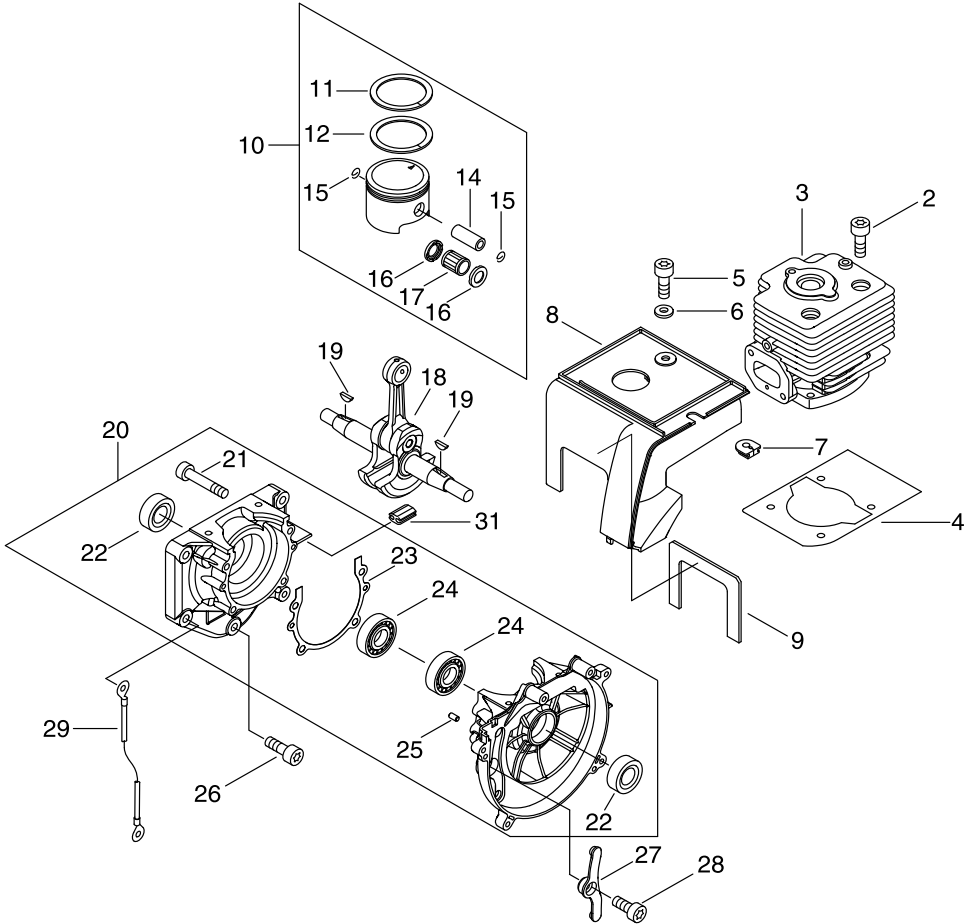
P014-002820-12Jb

1. CYLINDER, CRANKCASE, PISTON



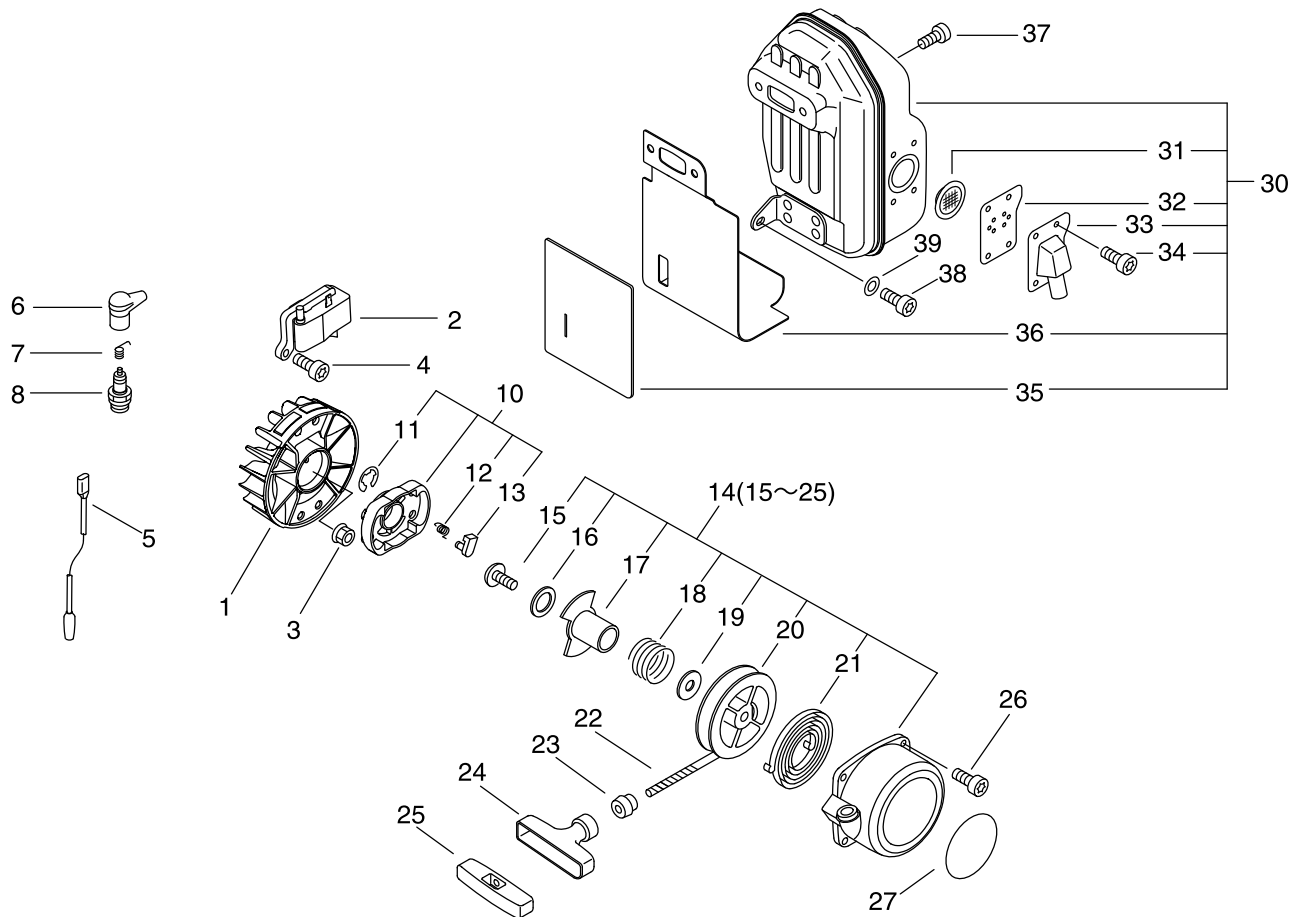
KEY	LV	PART NUMBER	Q'TY	DESCRIPTION	REMARKS	NOTE1	NOTE2
2		V805-000220	4	BOLT, TORX 5	TB-5*25 12.9		
3		A130-002130	1	CYLINDER	48 4TW 1860B		
4		V100-000770	1	GASKET,CYL	T:0.8		
5		V805-000160	1	BOLT, TORX 5	TB-5*20 10.9		
6		V323-000060	1	WASHER,CIRCULAR 5			
7		156112-40630	1	GROMMET			
8		A160-001242	1	COVER,CYLINDER			
9		A209-000770	1	PLATE, INSULATOR			
10		P021-002983	1	PISTON KIT			
11	+	A101-000030	1	RING,PISTON			
12	+	A101-000020	1	RING,PISTON			
14	+	V608-000010	1	PIN,ENG 10	6*10*40		
15	+	100015-00120	2	CIRCLIP, PISTON PIN			
16	+	V307-000060	2	WASHER,CIRCULAR 10			
17	+	V555-000010	1	BEARING,NEEDLE 10			
18		A011-001260	1	CRANKSHAFT,ASY			
19		900323-03014	2	KEY WOODRUFF	3*14		
20		P021-017260	1	CRANKCASE KIT			
21	+	V805-000180	4	BOLT, TORX 5	TB-5*30 12.9		
22	+	V508-000010	2	SEAL,OIL 15	ISCD 15*25*7		
23	+	V102-000070	1	GASKET,CRANKCASE			
24	+	94032-36302	2	BEARING BALL	BB-6302		
25	+	900330-40080	2	PIN F 4*8	4*8		
26		V806-000060	5	BOLT, TORX 6	TB-6*30 12.9		
27		A127-000240	1	COVER,DUST			
28		V805-000130	1	BOLT, TORX 5	TB-5*10 10.9		

1. CYLINDER, CRANKCASE, PISTON



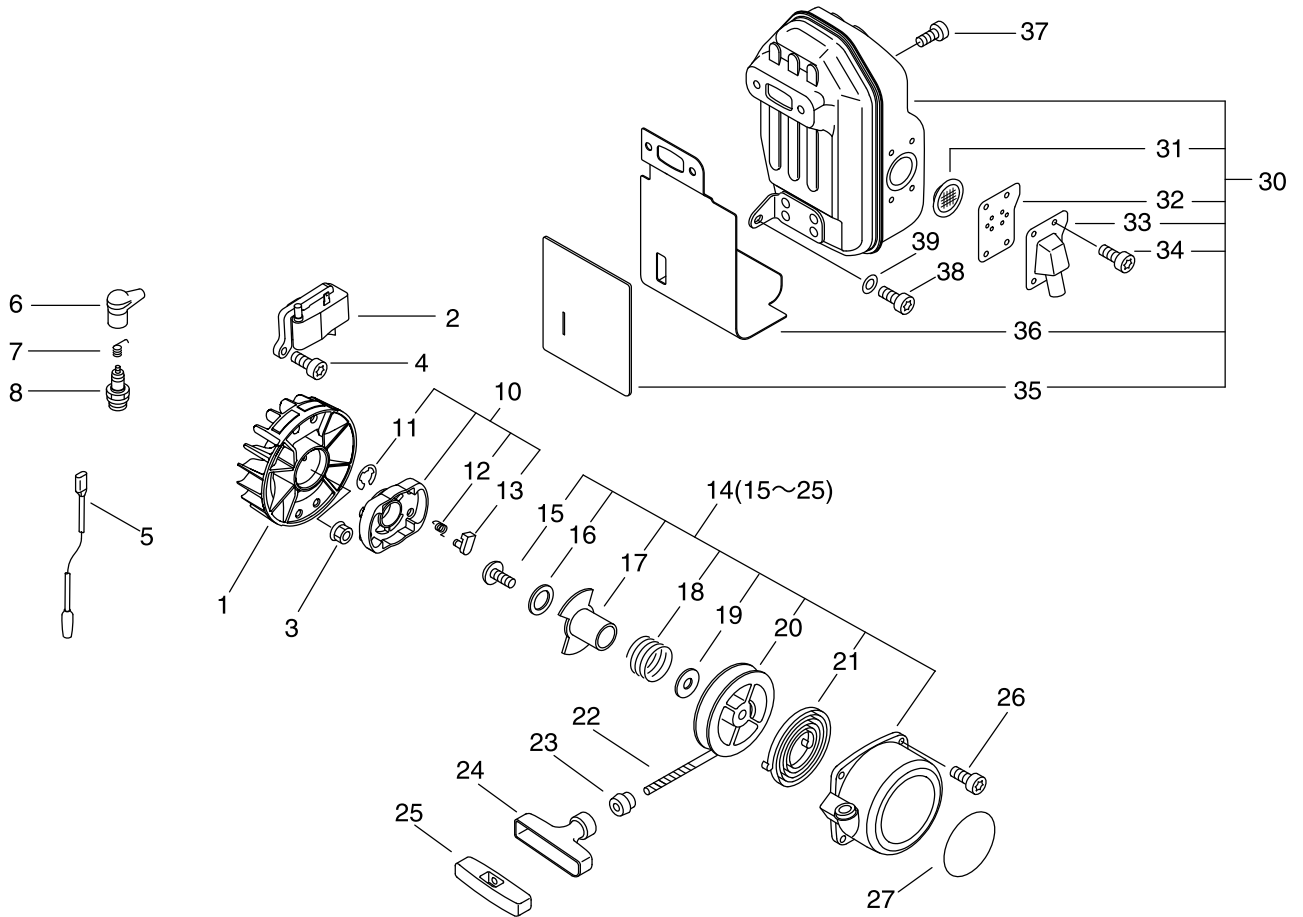
KEY	LV	PART NUMBER	Q'TY	DESCRIPTION	REMARKS	NOTE1	NOTE2
29		V485-001180	1	LEAD	LA106,LA105 195L		
31		A127-000400	1	COVER,DUST			

2. STARTER, MAGNETO, MUFFLER



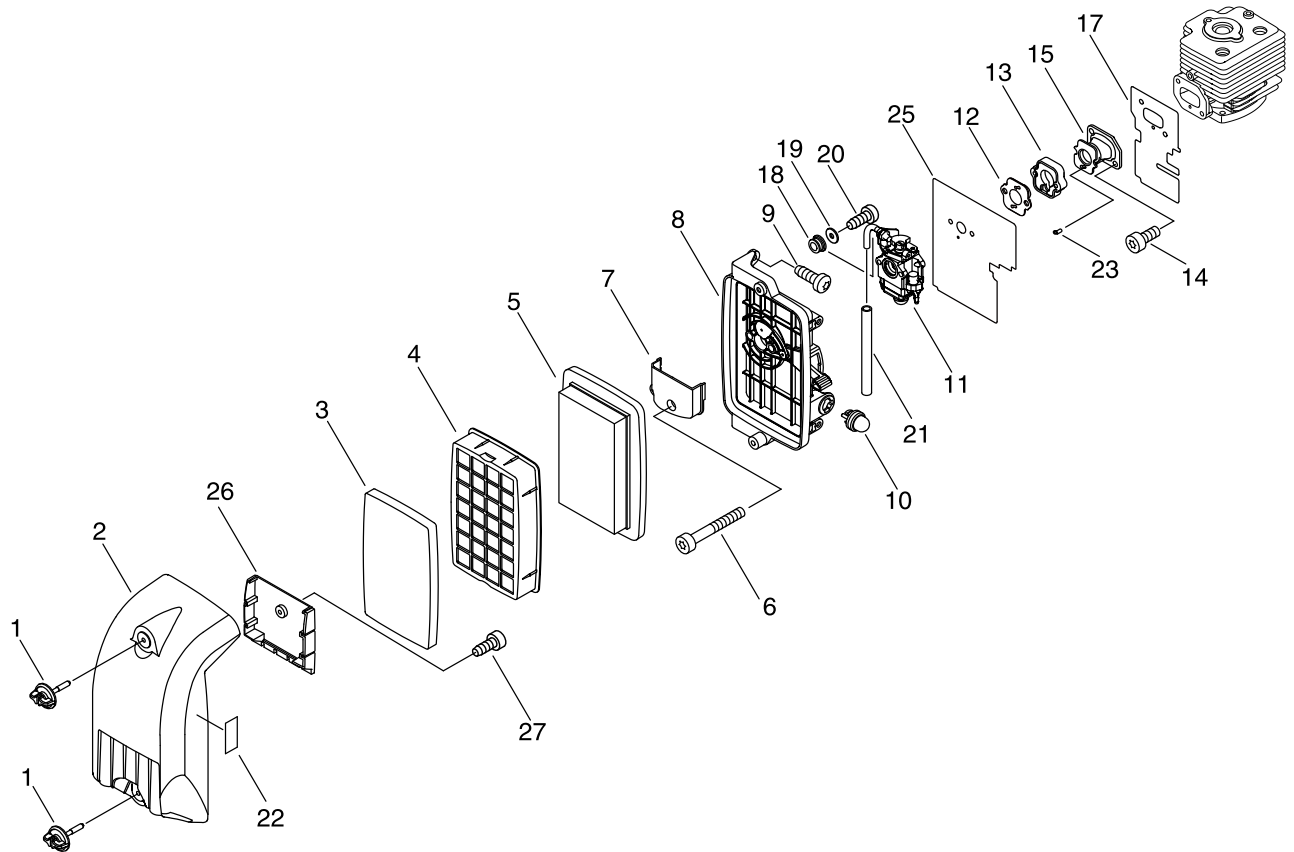
KEY	LV	PART NUMBER	Q'TY	DESCRIPTION	REMARKS	NOTE1	NOTE2
1		A409-000390	1	ROTOR, MAGNETO			
2		A411-000490	1	COIL, IGNITION	ID#C11454		
3		900519-00010	1	NUT, FLANGE 10	10*1.25		
4		V805-000160	2	BOLT, TORX 5	TB-5*20 10.9		
5		V485-001170	1	LEAD	CB104,AMP187		
6		159012-03433	1	CAP, SPARK PLUG			
7		159011-03432	1	COIL, SPARK PLUG			
8		A425-000050	1	SPARKPLUG	BPMR6Y		
10		A052-000270	1	PULLEY,ASM STARTER			
11	+	P022-002100	2	E-RING	4		
12	+	P022-003130	2	SPRING, RETURN			
13	+	P022-003120	2	PAWL, STARTER			
14		A051-000841	1	STARTER,RECOIL			
15	+	177236-61830	1	SCREW			
16	+	P022-010250	1	WASHER, THRUST			
17	+	P022-010221	1	PLATE, FRICTION			
18	+	P022-010231	1	SPRING, FRICTION			
19	+	V303-000050	1	WASHER,CIRCULAR 5			
20	+	A506-000040	1	REEL,ROPE			
21	+	P022-004680	1	SPRING, SPIRAL			
22	+	P022-010270	1	ROPE			
23	+	177227-42030	1	GUIDE, ROPE			
24	+	177228-11620	1	GRIP, STARTER			
25	+	P022-010260	1	CAP, GRIP			
26		V805-000150	4	BOLT, TORX 5	TB-5*16 10.9		
27		X502-000460	1	LABEL,ECHO			

2. STARTER, MAGNETO, MUFFLER



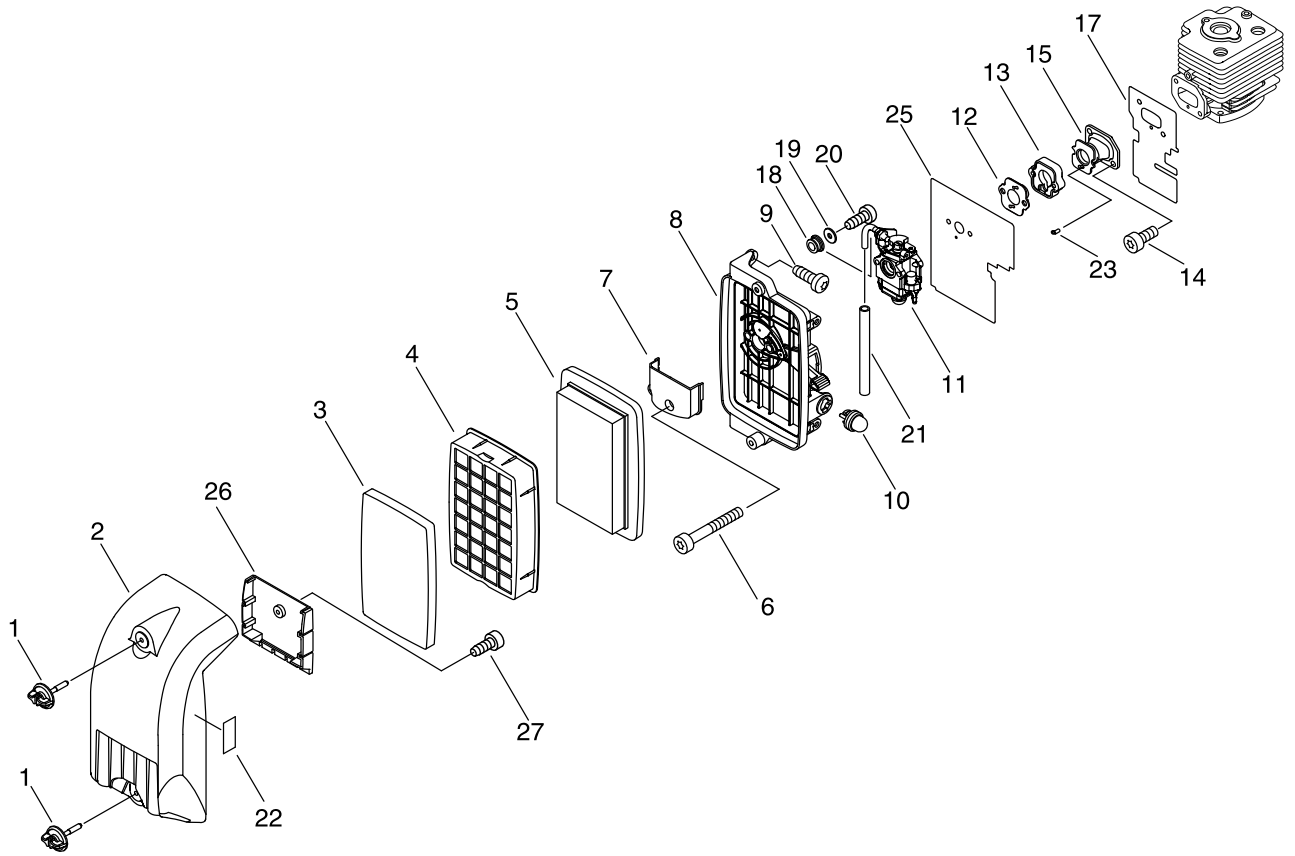
KEY	LV	PART NUMBER	Q'TY	DESCRIPTION	REMARKS	NOTE1	NOTE2
30		P021-042790	1	MUFFLER ASY			
31	+	A310-000000	1	SCREEN,ARRESTOR			
32	+	V104-002100	1	GASKET,EXHAUST	T1		
33	+	A313-001950	1	GUIDE, EXHAUST	ID#2050		
34	+	V804-000080	4	BOLT, TORX 4	TB4*8		
35	+	A322-000160	1	INSULATOR, MUFFLER	PB-770LN		
36	+	V104-000950	1	GASKET,EXHAUST			
37		V806-000050	2	BOLT, TORX 6	TB-6*20 12.9		
38		V805-000250	1	BOLT, TORX 5	TB-5*16 12.9		
39		613019-07350	1	WASHER 5.5*16*2T	5.5*16*2T		

3. AIR CLEANER, CARBURETOR



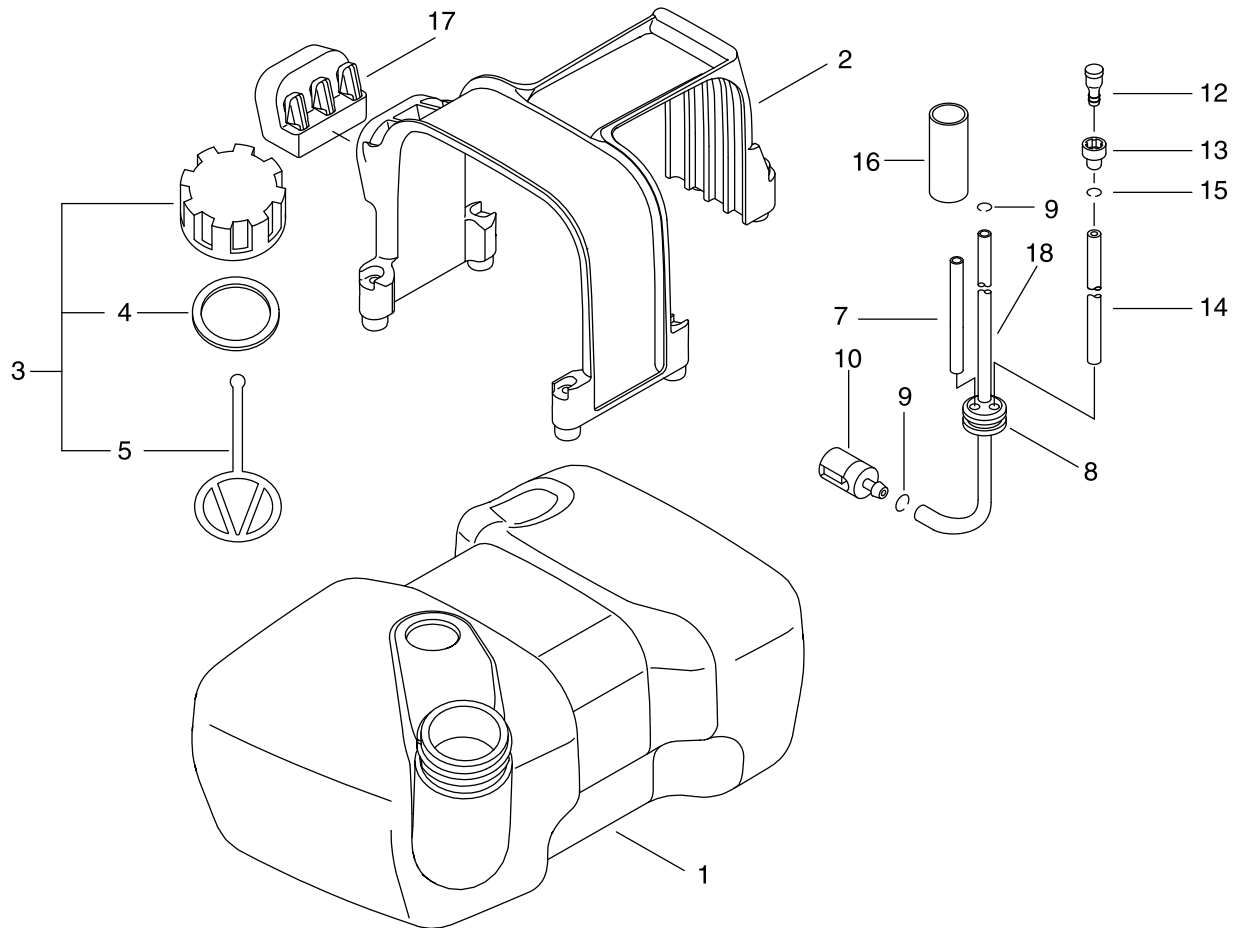
KEY	LV	PART NUMBER	Q'TY	DESCRIPTION	REMARKS	NOTE1	NOTE2
1		A235-000020	2	KNOB,CLEANER LID			
2		A232-000551	1	LID,CLEANER			
3		A226-000480	1	ELEMENT, AIR FILTER			
4		A227-000030	1	PLATE,ELEMENT			
5		A226-000410	1	ELEMENT, AIR FILTER			
6		V805-000090	2	BOLT, TORX 5	TB-5*55 10.9		
7		A244-000090	1	PLATE, PREVENT			
8		P021-017281	1	CLEANER CASE ASY			
9		V805-000010	2	BOLT, TORX 5	TT-5*20 DG 10.9		
10		123181-39130	1	PUMP, PRIMER			
11		A021-003970	1	CARBURETOR,DIAPHRAGM	WYK		
12		A205-000020	1	RING, SEAL			
13		A201-000010	1	ADAPTER, INTAKE			
14		V805-000140	2	BOLT, TORX 5	TB-5*12 10.9		
15		A202-000090	1	BELLOWS, INTAKE			
17		V103-000530	1	GASKET,INTAKE	NP7010,T:1.2		
18		C480-000130	1	GUIDE,CABLE	PB-770		
19		131911-03460	1	WASHER			
20		V805-000000	1	BOLT, TORX 5	TT-5*16 DG 10.9		
21		V471-001240	1	PIPE	2.5*5*140		
22		890332-52730	1	LABEL, CHOKE			
23		V351-000000	1	COLLAR,3	3.2*6.5		
25		V103-001690	1	GASKET,INTAKE			
26		A230-000060	1	GRID, CLEANER	PB-770LN		

3. AIR CLEANER, CARBURETOR



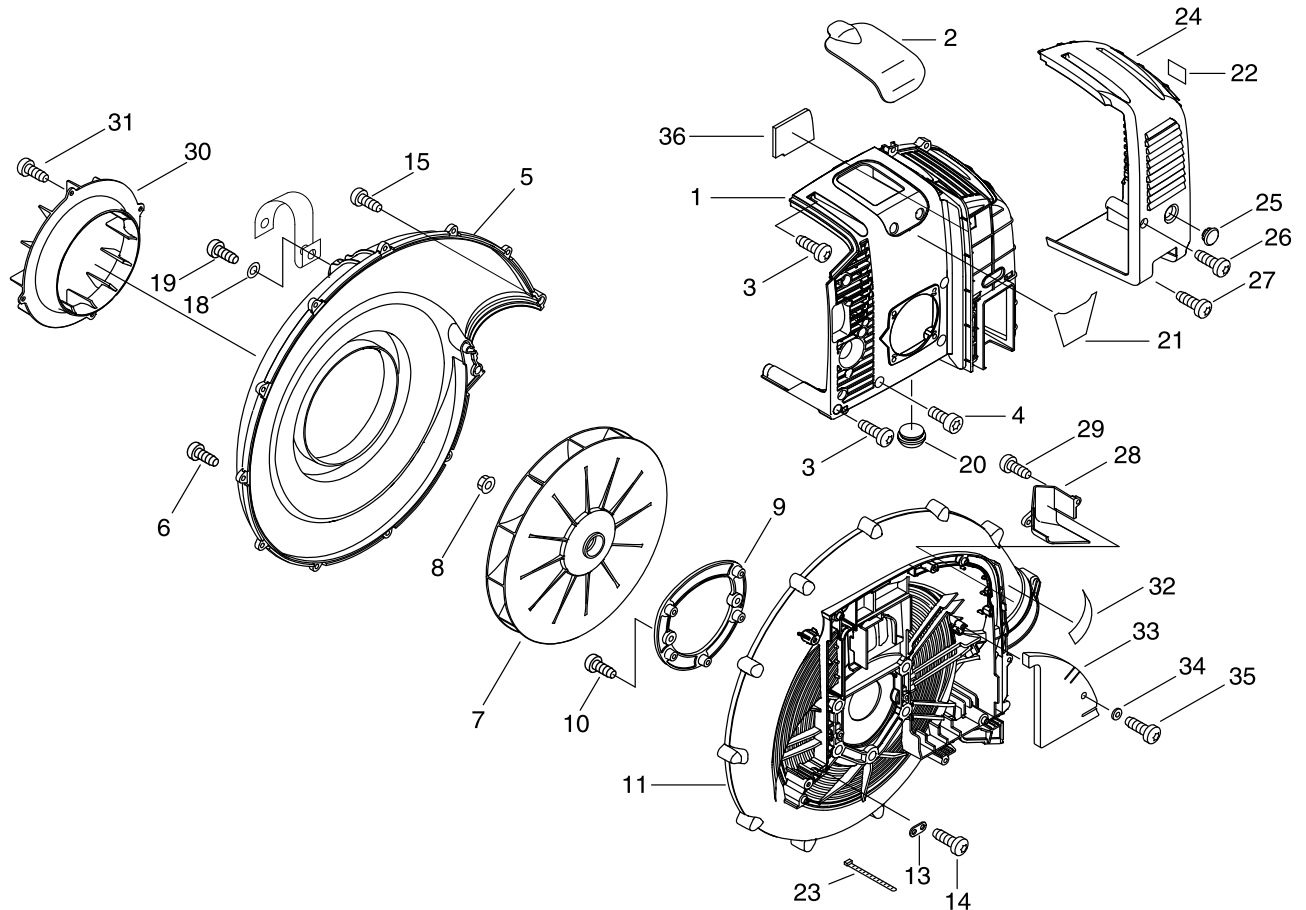
KEY	LV	PART NUMBER	Q'TY	DESCRIPTION	REMARKS	NOTE1	NOTE2
27		V804-000000	1	BOLT, TORX 4	TT-4*12 DG 10.9		

4. FUEL TANK



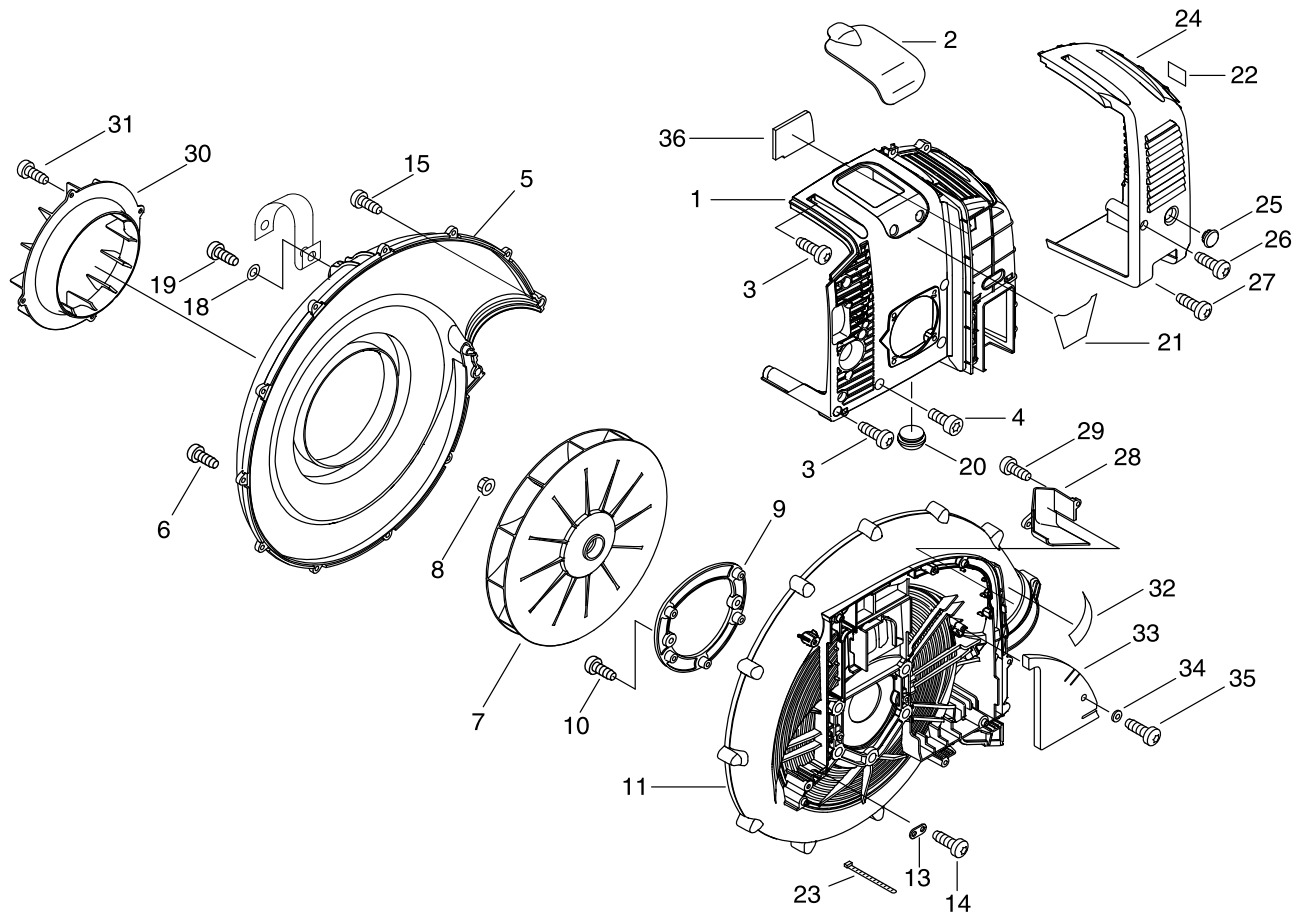
KEY	LV	PART NUMBER	Q'TY	DESCRIPTION	REMARKS	NOTE1	NOTE2
1		A350-000980	1	TANK, FUEL			
2		A392-000280	1	BAND, FUEL TANK	PB-760LN		
3		131004-55530	1	CAP ASSY, FUEL TANK			
4	+	131016-55830	1	GASKET, FUEL CAP			
5	+	131051-56030	1	CLIP, FUEL CAP	100L		
7		V471-002310	1	PIPE	3*6*130		
8		132115-55930	1	GROMMET, FUEL			
9		V490-001240	2	CLIP			
10		A369-000001	1	STRAINER, FUEL	125-528		
12		A356-000031	1	VALVE,CHECK			
13		131328-40630	1	COVER, VENT			
14		V471-001470	1	PIPE	2.4*5*200		
15		V490-001230	1	CLIP			
16		V475-004400	1	TUBE	16*18*L40		
17		V420-004620	1	CUSHION			
18		V470-000860	1	PIPE	L240		

5. FAN CASE



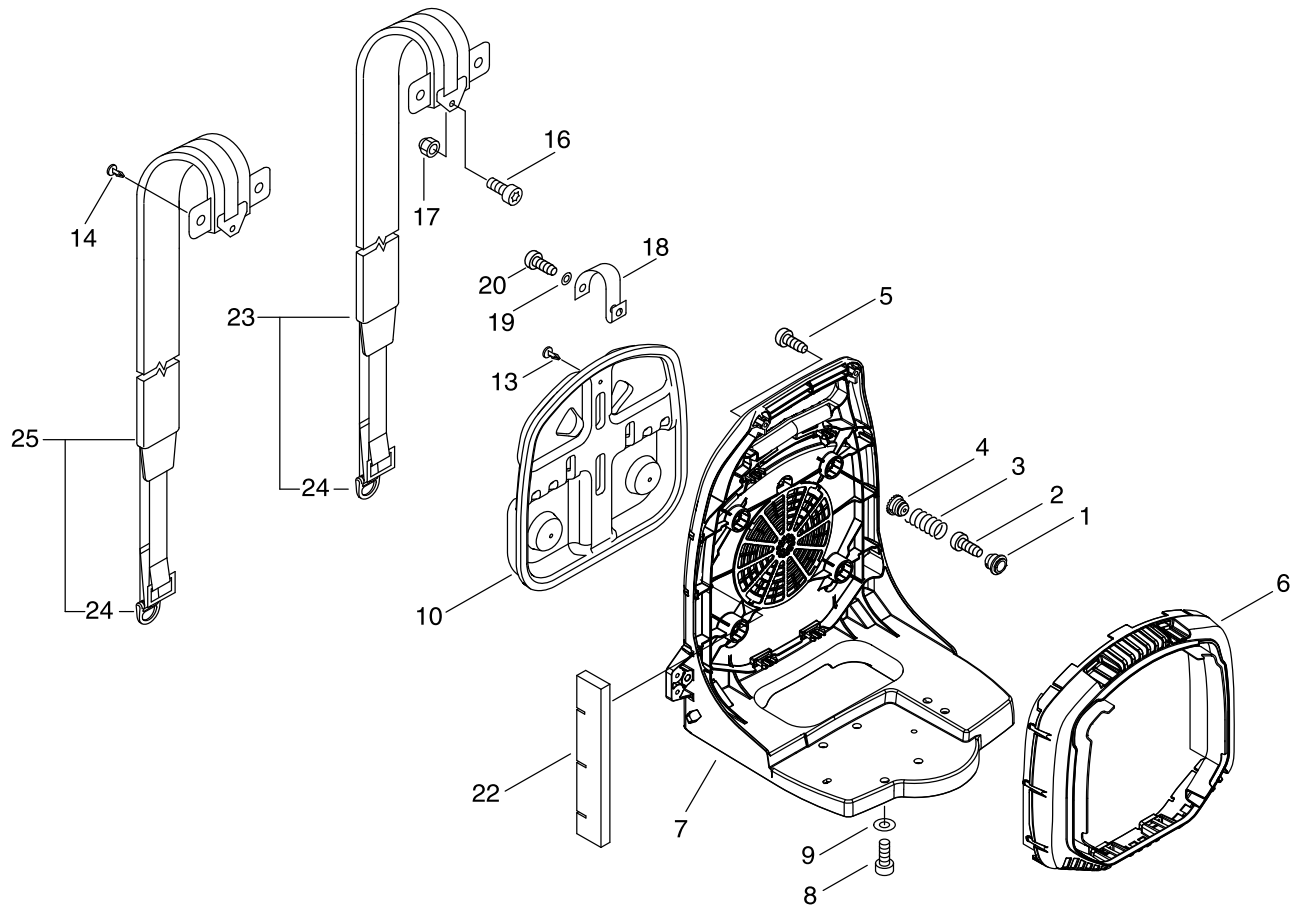
KEY	LV	PART NUMBER	Q'TY	DESCRIPTION	REMARKS	NOTE1	NOTE2
1		A190-001330	1	COVER,ENGINE	PB-770LN		
2		A429-000060	1	COVER,CAP			
3		V805-000010	4	BOLT, TORX 5	TT-5*20 DG 10.9		
4		V805-000150	4	BOLT, TORX 5	TB-5*16 10.9		
5		E103-000682	1	CASE,FAN			
6		V805-000010	10	BOLT, TORX 5	TT-5*20 DG 10.9		
7		E100-000080	1	FAN,BLOWER			
8		900519-00010	1	NUT, FLANGE 10	10*1.25		
9		C632-000100	1	PLATE, ENG			
10		V805-000000	2	BOLT, TORX 5	TT-5*16 DG 10.9		
11		E103-001180	1	CASE,FAN	PB-760LN		
13		V150-001350	1	PLATE,EYE			
14		V805-000000	1	BOLT, TORX 5	TT-5*16 DG 10.9		
15		V805-000010	2	BOLT, TORX 5	TT-5*20 DG 10.9		
18		613019-07350	1	WASHER 5.5*16*2T	5.5*16*2T		
19		V805-000010	1	BOLT, TORX 5	TT-5*20 DG 10.9		
20		V420-000910	1	CUSHION			
21		X547-002360	1	LABEL,ECHO			
22		X505-002310	1	LABEL,CAUTION	HOT CAUTION		
23		178121-43230	1	BAND	CV-150 BL		

5. FAN CASE



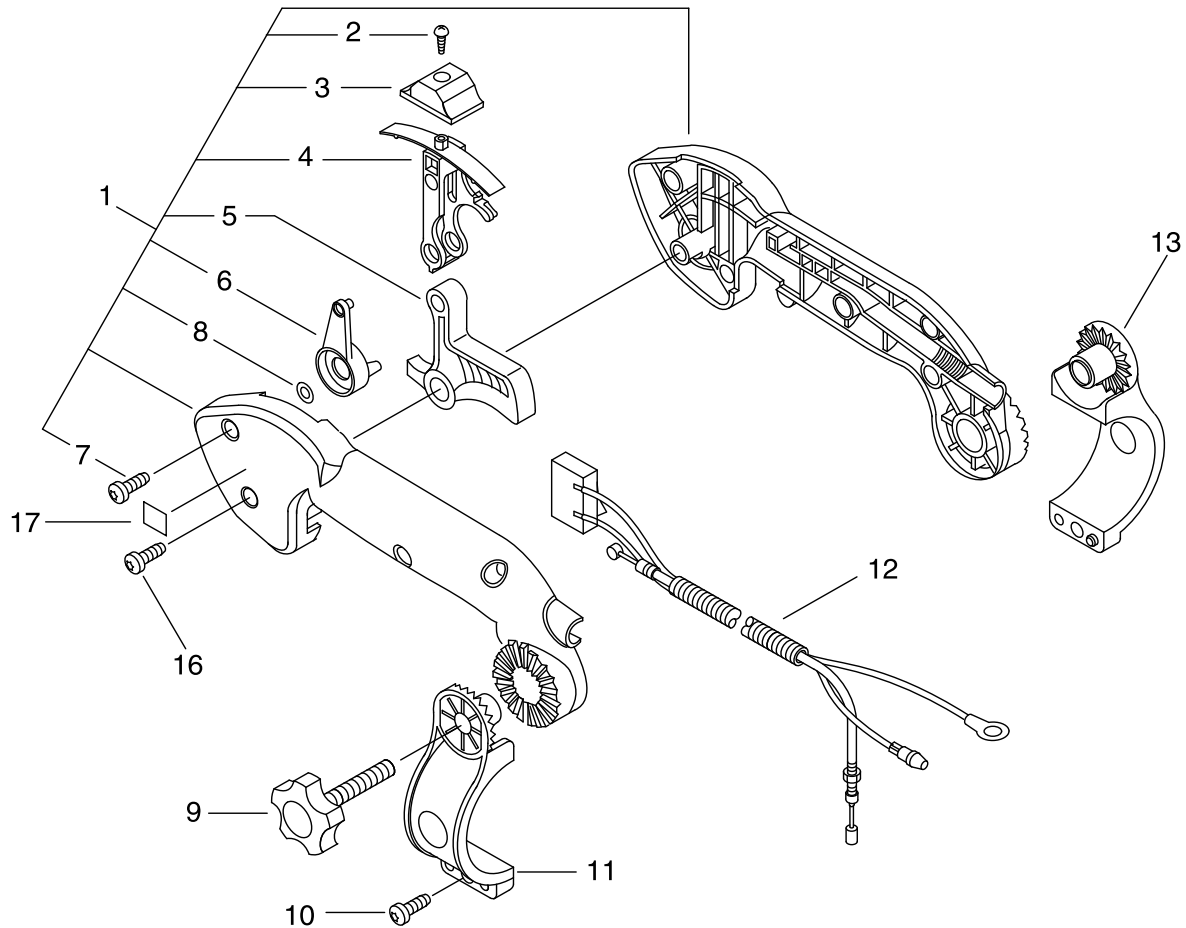
KEY	LV	PART NUMBER	Q'TY	DESCRIPTION	REMARKS	NOTE1	NOTE2
24		A190-001340	1	COVER,ENGINE	PB-760LN		
25		V162-000690	1	PLUG			
26		V805-000000	2	BOLT, TORX 5	TT-5*16 DG 10.9		
27		V805-000230	4	BOLT, TORX 5	TT-5*25 DG 10.9		
28		E109-000070	1	LID,FANCASE	PB-770LN		
29		V805-000000	2	BOLT, TORX 5	TT-5*16 DG 10.9		
30		E104-000220	1	GRID, BLOWER	PB-770LN		
31		V805-000000	4	BOLT, TORX 5	TT-5*16 DG 10.9		
32		X505-002080	1	LABEL, CAUTION			
33		V129-000180	1	PAD,FOAM			
34		V323-000060	1	WASHER,CIRCULAR 5			
35		V805-000000	1	BOLT, TORX 5	TT-5*16 DG 10.9		
36		A209-000760	1	PLATE, INSULATOR			

6. BACKPACK HARNESS



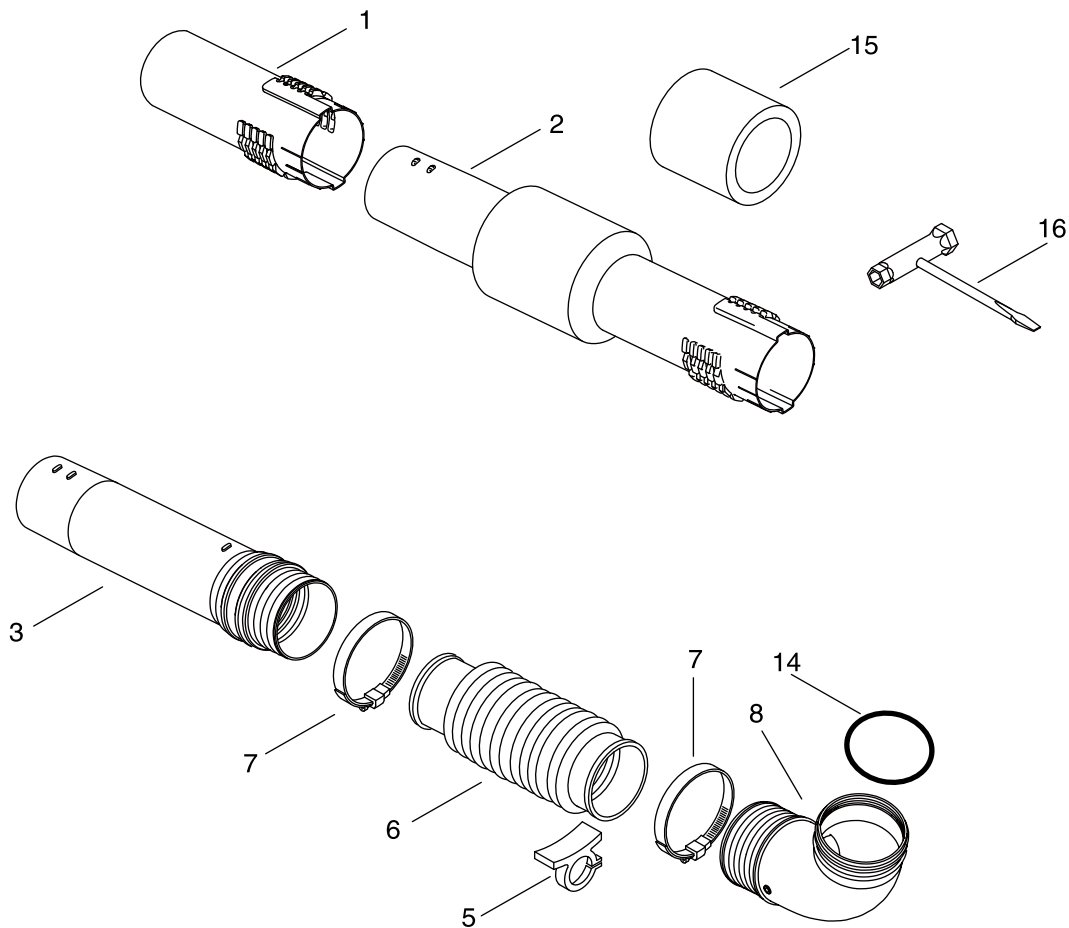
KEY	LV	PART NUMBER	Q'TY	DESCRIPTION	REMARKS	NOTE1	NOTE2
1		V456-000260	4	HOLDER,SPRING			
2		V805-000000	4	BOLT, TORX 5	TT-5*16 DG 10.9		
3		V450-000780	4	SPRING,COMPRESSION	2.6-19.4-46.2		
4		V456-000271	4	HOLDER,SPRING			
5		V805-000010	4	BOLT, TORX 5	TT-5*20 DG 10.9		
6		E104-000230	1	GRID, BLOWER	PB-770LN		
7		C620-000333	1	FRAME, BACKPACK			
8		V805-000170	6	BOLT, TORX 5	TB-5*25 10.9		
9		613019-07350	6	WASHER 5.5*16*2T	5.5*16*2T		
10		C630-000190	1	SEAT, BACKPACK	PB-765LN		
13		V491-000090	3	CLIP			
14		V491-000120	3	CLIP			
16		V805-000050	2	BOLT, TORX 5	TB-5*30 10.9		
17		900562-50005	2	LOCKNUT 5	5		
18		C617-000380	1	STOPPER	T:1.2X100		
19		613019-07350	1	WASHER 5.5*16*2T	5.5*16*2T		
20		V805-000010	1	BOLT, TORX 5	TT-5*20 DG 10.9		
22		V129-000170	2	PAD,FOAM			
23		P021-042930	1	HARNESS,BACKPACK-S			
24	+	C645-000080	1	BUCKLE, HARNESS			
25		P021-042920	1	HARNESS,BACKPACK-S			
24	+	C645-000080	1	BUCKLE, HARNESS			

7. THROTTLE



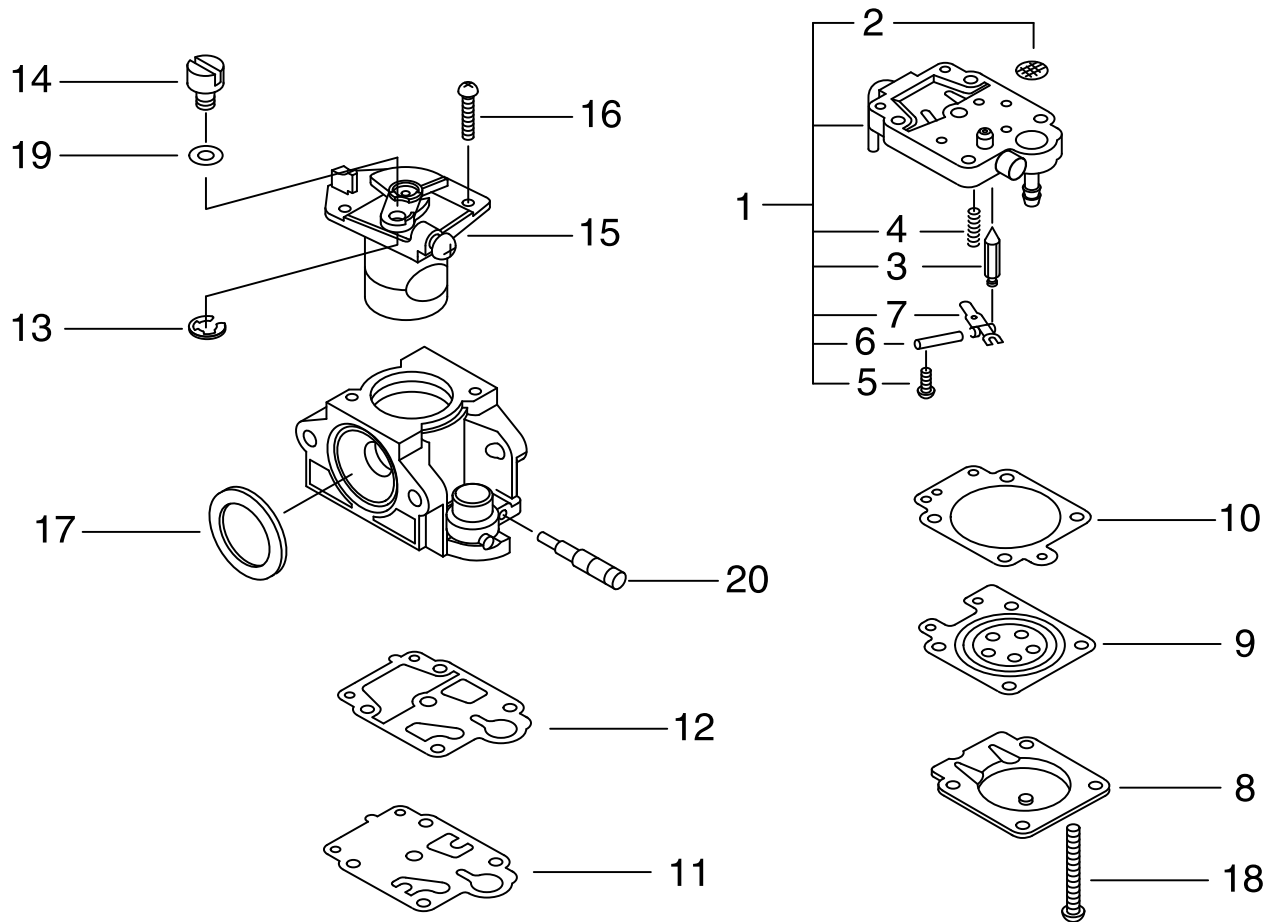
KEY	LV	PART NUMBER	Q'TY	DESCRIPTION	REMARKS	NOTE1	NOTE2
1		P021-017293	1	FRONT HANDLE ASY			
2	+	91545-03014	1	SCREW TAPTITE-P			
3	+	E151-000000	1	KNOB,LEVER	ACT#040504-A1		
4	+	C453-000211	1	LEVER, THROTTLE			
5	+	C450-000391	1	CONTROL, THROTTLE			
6	+	C453-000203	1	LEVER, THROTTLE			
7	+	V805-000010	4	BOLT, TORX 5	TT-5*20 DG 10.9		
8	+	V303-000100	1	WASHER,CIRCULAR 5	5.2*8*0.5		
9		305812-08260	1	KNOB, FASTENER			
10		V805-000010	1	BOLT, TORX 5	TT-5*20 DG 10.9		
11		C405-000360	1	BRACKET,HANDLE			
12		V043-000340	1	CABLE ASY, CONTROL			
13		C405-000370	1	BRACKET,HANDLE			
16		V805-000230	1	BOLT, TORX 5	TT-5*25 DG 10.9		
17		X505-000950	1	LABEL,CAUTION			

8. PIPE



KEY	LV	PART NUMBER	Q'TY	DESCRIPTION	REMARKS	NOTE1	NOTE2
1		E165-000620	1	PIPE,BLOWER			
2		E165-000610	1	PIPE,BLOWER			
3		E165-000311	1	PIPE,BLOWER			
5		V491-000191	1	CLIP			
6		E164-000090	1	PIPE,FLEXIBLE			
7		V495-000440	2	BAND	77.8MM /101.6MM		
8		E160-000130	1	PIPE,MAIN			
14		92501-09500	1	O-RING			
15		V129-000160	1	PAD,FOAM			
16		X602-000120	1	TOOL,WRENCH	19-13		

9. CARBURETOR



KEY	LV	PART NUMBER	Q'TY	DESCRIPTION	REMARKS	NOTE1	NOTE2
		A021-003970	1	CARBURETOR,DIAPHRAGM	WYK		
1	+	P003-005160	1	BODY ASSEMBLY, PUMP			
2	++	123126-10631	1	SCREEN, INLET			
3	++	123137-19830	1	VALVE, INLET NEEDLE			
4	++	P003-000450	1	SPRING, METER. LEVER			
5	++	123139-05560	1	SCREW, M. LEVER PIN			
6	++	123138-03930	1	PIN, METERING LEVER			
7	++	123123-03930	1	LEVER, METERING			
8	+	123142-03930	1	COVER, M. DIAPHRAGM			
9	+	P003-001850	1	DIAPHRAGM, METERING			
10	+	123140-27230	1	GASKET,M. DIAPHRAGM			
11	+	123112-40630	1	DIAPHRAGM, PUMP			
12	+	P003-000100	1	GASKET, PUMP			
13	+	123173-07930	1	CLIP			
14	+	123172-45130	1	SWIVEL			
15	+	P003-004130	1	VALVE,THROTTLE			
16	+	P003-002400	2	SCREW			
17	+	123143-12110	1	RING, PACKING			
18	+	123144-44330	4	SCREW			
19	+	123149-54230	1	WASHER			
20	+	P003-004900	1	NEEDLE			

Index

Patrs Number	Key No.	Patrs Number	Key No.	Patrs Number	Key No.
100015-00120	1 - 15	A127-000240	1 - 27	E160-000130	8 - 8
123112-40630	9 - 11	A127-000400	1 - 31	E164-000090	8 - 6
123123-03930	9 - 7	A130-002130	1 - 3	E165-000311	8 - 3
123126-10631	9 - 2	A160-001242	1 - 8	E165-000610	8 - 2
123137-19830	9 - 3	A190-001330	5 - 1	E165-000620	8 - 1
123138-03930	9 - 6	A190-001340	5 - 24	P003-000100	9 - 12
123139-05560	9 - 5	A201-000010	3 - 13	P003-000450	9 - 4
123140-27230	9 - 10	A202-000090	3 - 15	P003-001850	9 - 9
123142-03930	9 - 8	A205-000020	3 - 12	P003-002400	9 - 16
123143-12110	9 - 17	A209-000760	5 - 36	P003-004130	9 - 15
123144-44330	9 - 18	A209-000770	1 - 9	P003-004900	9 - 20
123149-54230	9 - 19	A226-000410	3 - 5	P003-005160	9 - 1
123172-45130	9 - 14	A226-000480	3 - 3	P021-002983	1 - 10
123173-07930	9 - 13	A227-000030	3 - 4	P021-017260	1 - 20
123181-39130	3 - 10	A230-000060	3 - 26	P021-017281	3 - 8
131004-55530	4 - 3	A232-000551	3 - 2	P021-017293	7 - 1
131016-55830	4 - 4	A235-000020	3 - 1	P021-042790	2 - 30
131051-56030	4 - 5	A244-000090	3 - 7	P021-042920	6 - 25
131328-40630	4 - 13	A310-000000	2 - 31	P021-042930	6 - 23
131911-03460	3 - 19	A313-001950	2 - 33	P022-002100	2 - 11
132115-55930	4 - 8	A322-000160	2 - 35	P022-003120	2 - 13
156112-40630	1 - 7	A350-000980	4 - 1	P022-003130	2 - 12
159011-03432	2 - 7	A356-000031	4 - 12	P022-004680	2 - 21
159012-03433	2 - 6	A369-000001	4 - 10	P022-010221	2 - 17
177227-42030	2 - 23	A392-000280	4 - 2	P022-010231	2 - 18
177228-11620	2 - 24	A409-000390	2 - 1	P022-010250	2 - 16
177236-61830	2 - 15	A411-000490	2 - 2	P022-010260	2 - 25
178121-43230	5 - 23	A425-000050	2 - 8	P022-010270	2 - 22
305812-08260	7 - 9	A429-000060	5 - 2	V043-000340	7 - 12
613019-07350	2 - 39	A506-000040	2 - 20	V100-000770	1 - 4
613019-07350	5 - 18	C405-000360	7 - 11	V102-000070	1 - 23
613019-07350	6 - 9	C405-000370	7 - 13	V103-000530	3 - 17
613019-07350	6 - 19	C450-000391	7 - 5	V103-001690	3 - 25
890332-52730	3 - 22	C453-000203	7 - 6	V104-000950	2 - 36
900323-03014	1 - 19	C453-000211	7 - 4	V104-002100	2 - 32
900330-40080	1 - 25	C480-000130	3 - 18	V129-000160	8 - 15
900519-00010	2 - 3	C617-000380	6 - 18	V129-000170	6 - 22
900519-00010	5 - 8	C620-000333	6 - 7	V129-000180	5 - 33
900562-50005	6 - 17	C630-000190	6 - 10	V150-001350	5 - 13
91545-03014	7 - 2	C632-000100	5 - 9	V162-000690	5 - 25
92501-09500	8 - 14	C645-000080	6 - 24	V303-000050	2 - 19
94032-36302	1 - 24	C645-000080	6 - 24	V303-000100	7 - 8
A011-001260	1 - 18	E100-000080	5 - 7	V307-000060	1 - 16
A021-003970	3 - 11	E103-000682	5 - 5	V323-000060	1 - 6
A021-003970	9 -	E103-001180	5 - 11	V323-000060	5 - 34
A051-000841	2 - 14	E104-000220	5 - 30	V351-000000	3 - 23
A052-000270	2 - 10	E104-000230	6 - 6	V420-000910	5 - 20
A101-000020	1 - 12	E109-000070	5 - 28	V420-004620	4 - 17
A101-000030	1 - 11	E151-000000	7 - 3	V450-000780	6 - 3

Index

Patrs Number	Key No.	Patrs Number	Key No.	Patrs Number	Key No.
V456-000260	6 - 1	V805-000230	7 - 16		
V456-000271	6 - 4	V805-000250	2 - 38		
V470-000860	4 - 18	V806-000050	2 - 37		
V471-001240	3 - 21	V806-000060	1 - 26		
V471-001470	4 - 14	X502-000460	2 - 27		
V471-002310	4 - 7	X505-000950	7 - 17		
V475-004400	4 - 16	X505-002080	5 - 32		
V485-001170	2 - 5	X505-002310	5 - 22		
V485-001180	1 - 29	X547-002360	5 - 21		
V490-001230	4 - 15	X602-000120	8 - 16		
V490-001240	4 - 9				
V491-000090	6 - 13				
V491-000120	6 - 14				
V491-000191	8 - 5				
V495-000440	8 - 7				
V508-000010	1 - 22				
V555-000010	1 - 17				
V608-000010	1 - 14				
V804-000000	3 - 27				
V804-000080	2 - 34				
V805-000000	3 - 20				
V805-000000	5 - 10				
V805-000000	5 - 14				
V805-000000	5 - 26				
V805-000000	5 - 29				
V805-000000	5 - 31				
V805-000000	5 - 35				
V805-000000	6 - 2				
V805-000010	3 - 9				
V805-000010	5 - 3				
V805-000010	5 - 6				
V805-000010	5 - 15				
V805-000010	5 - 19				
V805-000010	6 - 5				
V805-000010	6 - 20				
V805-000010	7 - 7				
V805-000010	7 - 10				
V805-000050	6 - 16				
V805-000090	3 - 6				
V805-000130	1 - 28				
V805-000140	3 - 14				
V805-000150	2 - 26				
V805-000150	5 - 4				
V805-000160	1 - 5				
V805-000160	2 - 4				
V805-000170	6 - 8				
V805-000180	1 - 21				
V805-000220	1 - 2				
V805-000230	5 - 27				

YAMABIKO CORPORATION

7-2 SUEHIROCHO 1-CHOME, OHME, TOKYO 198-8760, JAPAN
PHONE: 81-428-32-6118. FAX: 81-428-32-6145.

ECHO[®]



12Jb
No. 05-115