



PARTS CATALOG

BACKPACK BLOWER

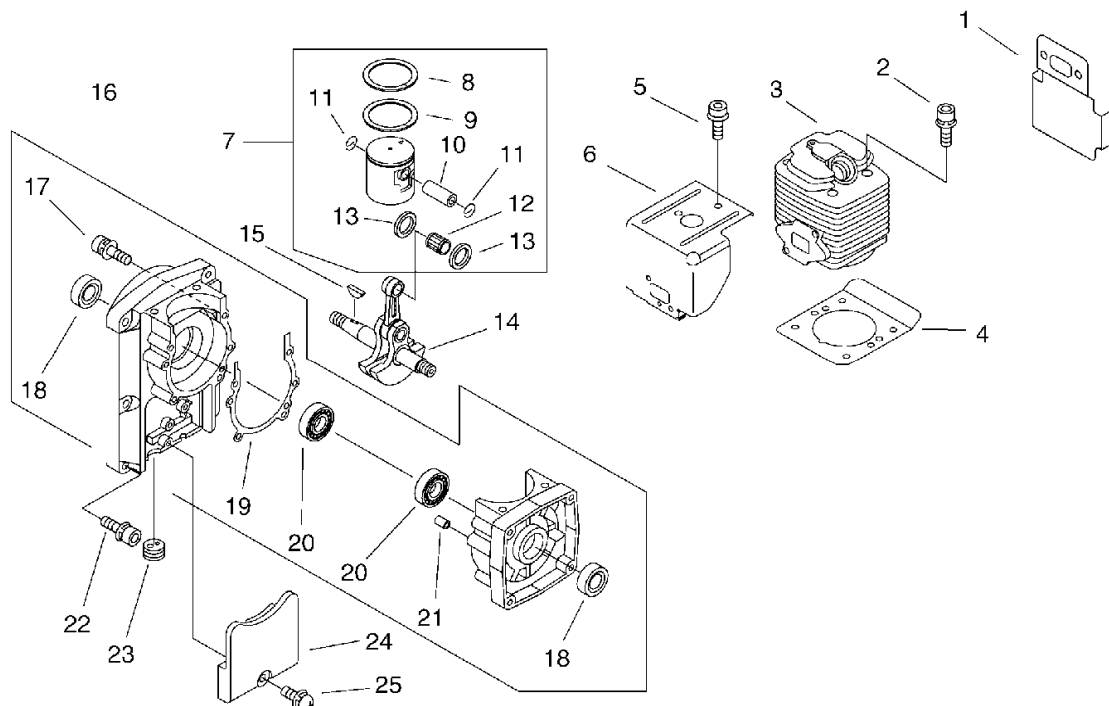
PB-755(36)



- 36009867

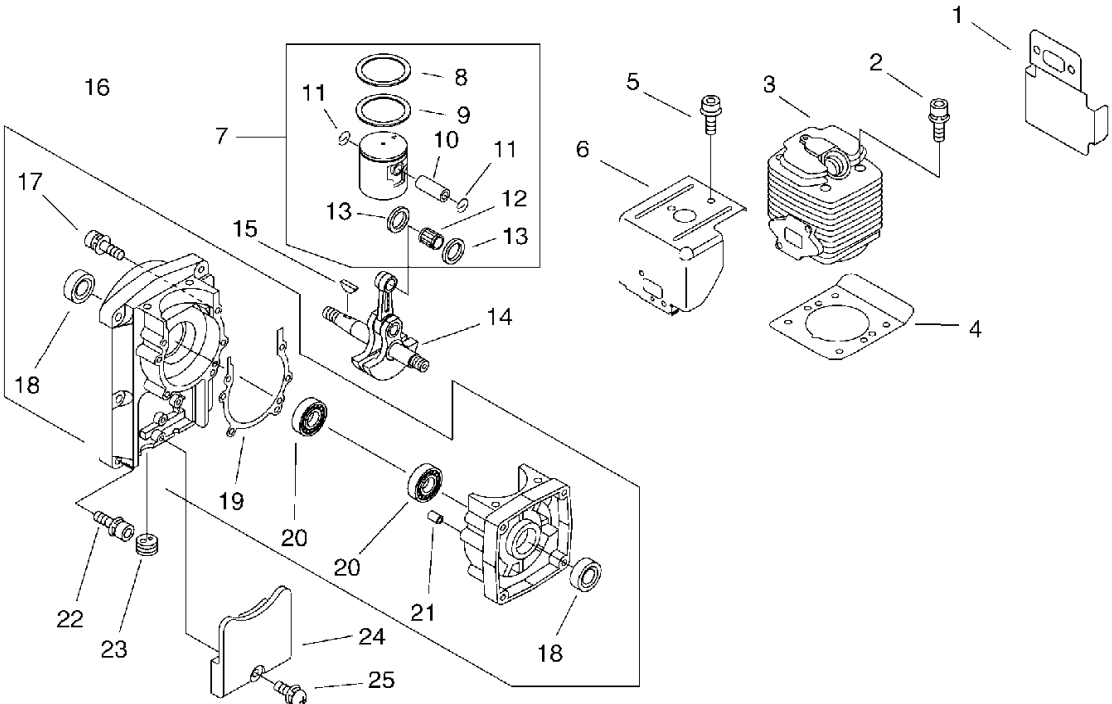
PB-755(36)

1. Cylinder, Crankcase, Piston(Sr/Nr 36001700 and before)



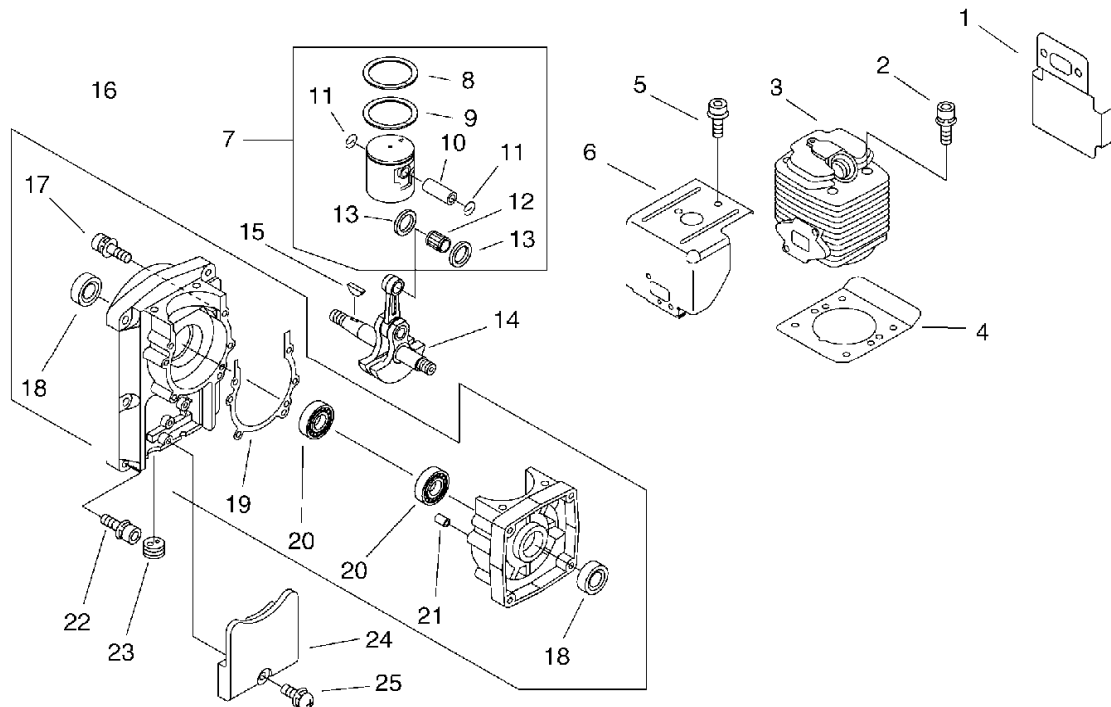
| KEY | LV | PART NUMBER | Q'TY | DESCRIPTION | REMARKS | NOTE1 | NOTE2 |
|-----|----|--------------|------|---------------------|--------------|---------------------|-------|
| 1 | | V104-000720 | 1 | GASKET,EXHAUST | | | |
| 2 | | 900162-05025 | 4 | BOLT, H.S. 5*25 | 5*25 W,SW | | |
| 3 | | A130-000510 | 1 | CYLINDER | | Sus. by A130-000511 | |
| 4 | | V100-000100 | 1 | GASKET,CYL | | | |
| 5 | | 900106-05008 | 2 | BOLT, H.S. 5* 8 | 5*8 | | |
| 6 | | A160-000340 | 1 | COVER,CYLINDER | | | |
| 7 | | P021-002982 | 1 | PISTON KIT | | | |
| 8 | + | A101-000030 | 1 | RING,PISTON | | | |
| 9 | + | A101-000020 | 1 | RING,PISTON | | | |
| 10 | + | V608-000010 | 1 | PIN,ENG 10 | 6*10*40 | | |
| 11 | + | 100015-00120 | 2 | CIRCLIP, PISTON PIN | | | |
| 12 | + | V555-000010 | 1 | BEARING,NEEDLE 10 | | | |
| 13 | + | V307-000060 | 2 | WASHER,CIRCULAR 10 | | | |
| 14 | | A011-000140 | 1 | CRANKSHAFT,ASM | | | |
| 15 | | 900323-03014 | 1 | KEY WOODRUFF | 3*14 | | |
| 16 | | P021-002991 | 1 | CRANKCASE KIT | | | |
| 17 | + | 900162-05035 | 4 | BOLT, H.S. 5*35 | 5*35 W,SW | | |
| 18 | + | V508-000010 | 2 | SEAL,OIL 15 | ISCD 15*25*7 | | |
| 19 | + | V102-000010 | 1 | GASKET,CRANKCASE | | | |
| 20 | + | 94032-36302 | 2 | BEARING BALL | BB-6302 | | |
| 21 | + | 100215-03930 | 2 | PIN, DOWEL | | | |
| 22 | | 900162-06035 | 6 | BOLT, H.S. 6*35 | 6*35 W,SW | | |
| 23 | | 151112-04630 | 1 | BUSHING | | | |
| 24 | | 159129-08260 | 1 | COVER, DUST | | | |

1. Cylinder, Crankcase, Piston(Sr/Nr 36001700 and before)



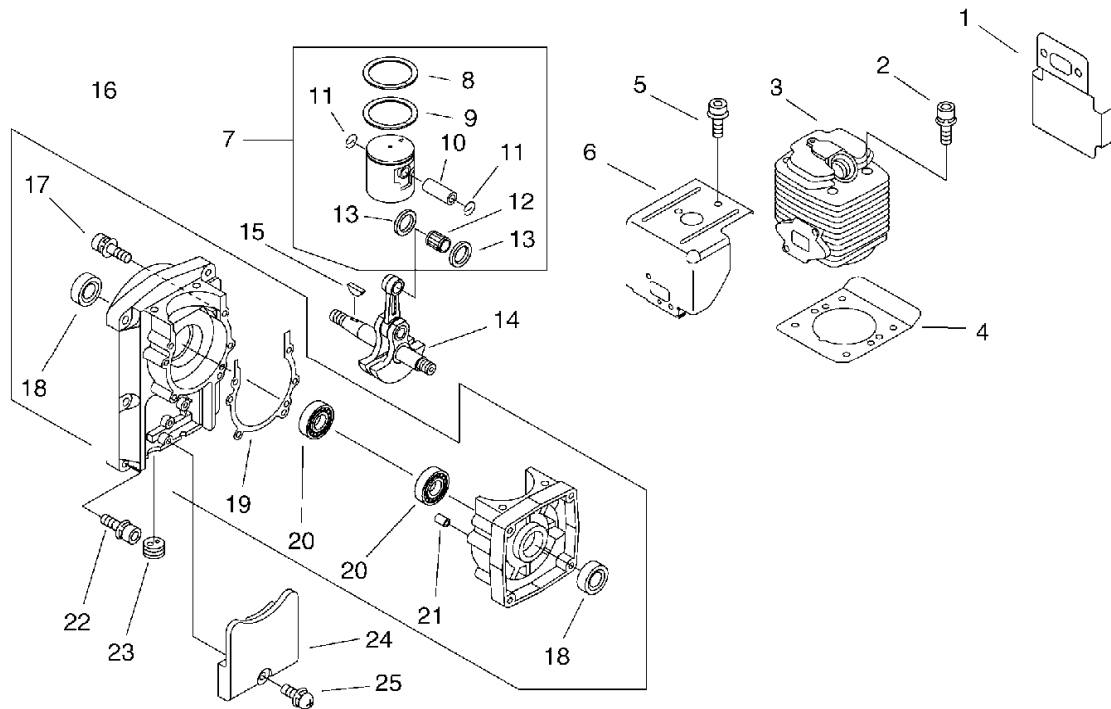
| KEY | LV | PART NUMBER | Q'TY | DESCRIPTION | REMARKS | NOTE1 | NOTE2 |
|-----|----|--------------|------|-----------------|-----------|----------------------|-------|
| 25 | | 900162-05018 | 1 | BOLT, H.S. 5*18 | 5*18 W,SW | Sus. by 900162-05022 | |

2. Cylinder, Crankcase, Piston(Sr/Nr 36001701 and after)



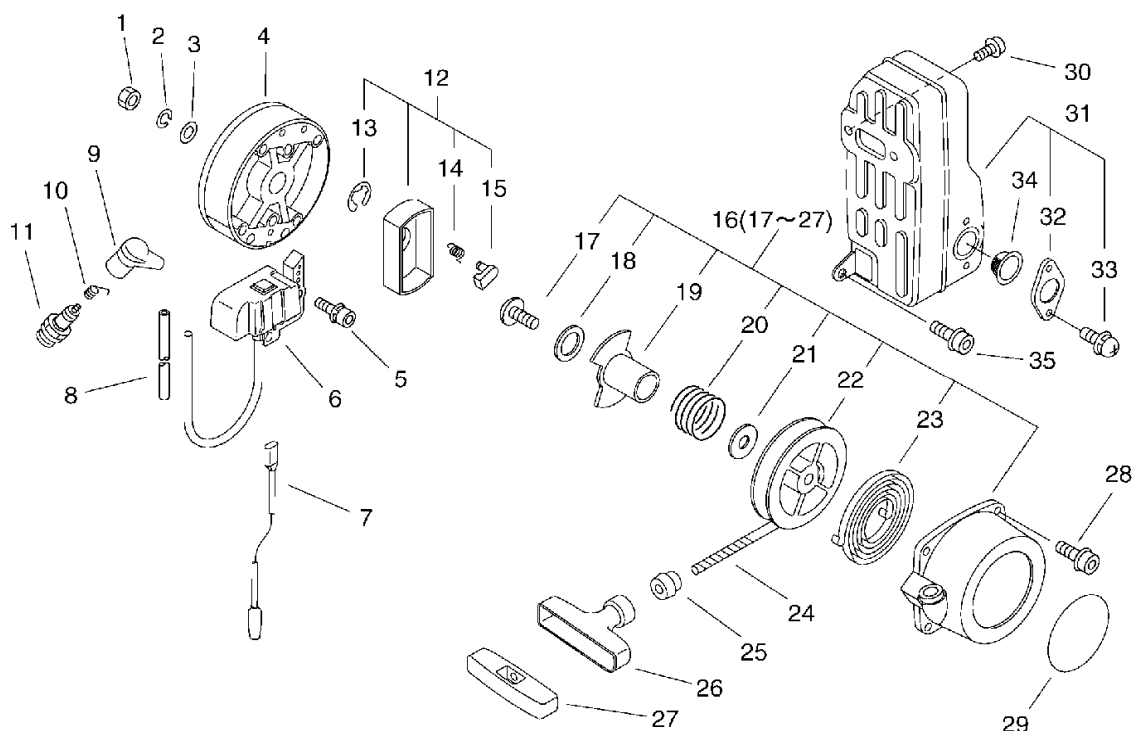
| KEY | LV | PART NUMBER | Q'TY | DESCRIPTION | REMARKS | NOTE1 | NOTE2 |
|-----|----|--------------|------|---------------------|--------------|---------------------|-------|
| 1 | | V104-000720 | 1 | GASKET,EXHAUST | | | |
| 2 | | 900162-05025 | 4 | BOLT, H.S. 5*25 | 5*25 W,SW | | |
| 3 | | A130-000510 | 1 | CYLINDER | | Sus. by A130-000511 | |
| 3 | | A130-000511 | 1 | CYLINDER | | Sus. by A130-000512 | |
| 4 | | V100-000100 | 1 | GASKET,CYL | | | |
| 5 | | 900106-05008 | 2 | BOLT, H.S. 5* 8 | 5*8 | | |
| 6 | | A160-000340 | 1 | COVER,CYLINDER | | | |
| 7 | | P021-002982 | 1 | PISTON KIT | | | |
| 8 | + | A101-000030 | 1 | RING,PISTON | | | |
| 9 | + | A101-000020 | 1 | RING,PISTON | | | |
| 10 | + | V608-000010 | 1 | PIN,ENG 10 | 6*10*40 | | |
| 11 | + | 100015-00120 | 2 | CIRCLIP, PISTON PIN | | | |
| 12 | + | V555-000010 | 1 | BEARING,NEEDLE 10 | | | |
| 13 | + | V307-000060 | 2 | WASHER,CIRCULAR 10 | | | |
| 14 | | A011-000140 | 1 | CRANKSHAFT,ASM | | | |
| 15 | | 900323-03014 | 1 | KEY WOODRUFF | 3*14 | | |
| 16 | | P021-002991 | 1 | CRANKCASE KIT | | | |
| 17 | + | 900162-05035 | 4 | BOLT, H.S. 5*35 | 5*35 W,SW | | |
| 18 | + | V508-000010 | 2 | SEAL,OIL 15 | ISCD 15*25*7 | | |
| 19 | + | V102-000010 | 1 | GASKET,CRANKCASE | | | |
| 20 | + | 94032-36302 | 2 | BEARING BALL | BB-6302 | | |
| 21 | + | 100215-03930 | 2 | PIN, DOWEL | | | |
| 22 | | 900162-06035 | 6 | BOLT, H.S. 6*35 | 6*35 W,SW | | |
| 23 | | 151112-04630 | 1 | BUSHING | | | |

2. Cylinder, Crankcase, Piston(Sr/Nr 36001701 and after)



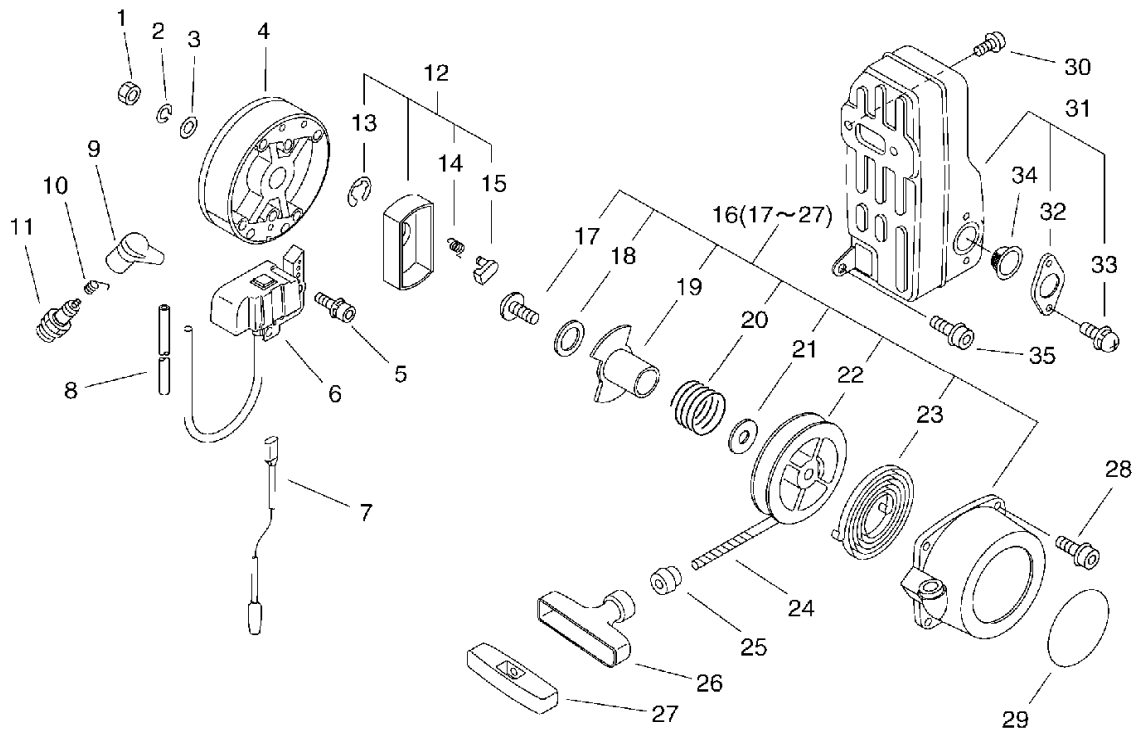
| KEY | LV | PART NUMBER | Q'TY | DESCRIPTION | REMARKS | NOTE1 | NOTE2 |
|-----|----|--------------|------|-----------------|-----------|----------------------|-------|
| 24 | | 159129-08260 | 1 | COVER, DUST | | | |
| 25 | | 900162-05018 | 1 | BOLT, H.S. 5*18 | 5*18 W,SW | Sus. by 900162-05022 | |
| 25 | | 900162-05022 | 1 | BOLT, H.S. 5*22 | 5*22 W,SW | | |

3. Starter, Magneto, Muffler(Sr/Nr 36001700 and before)



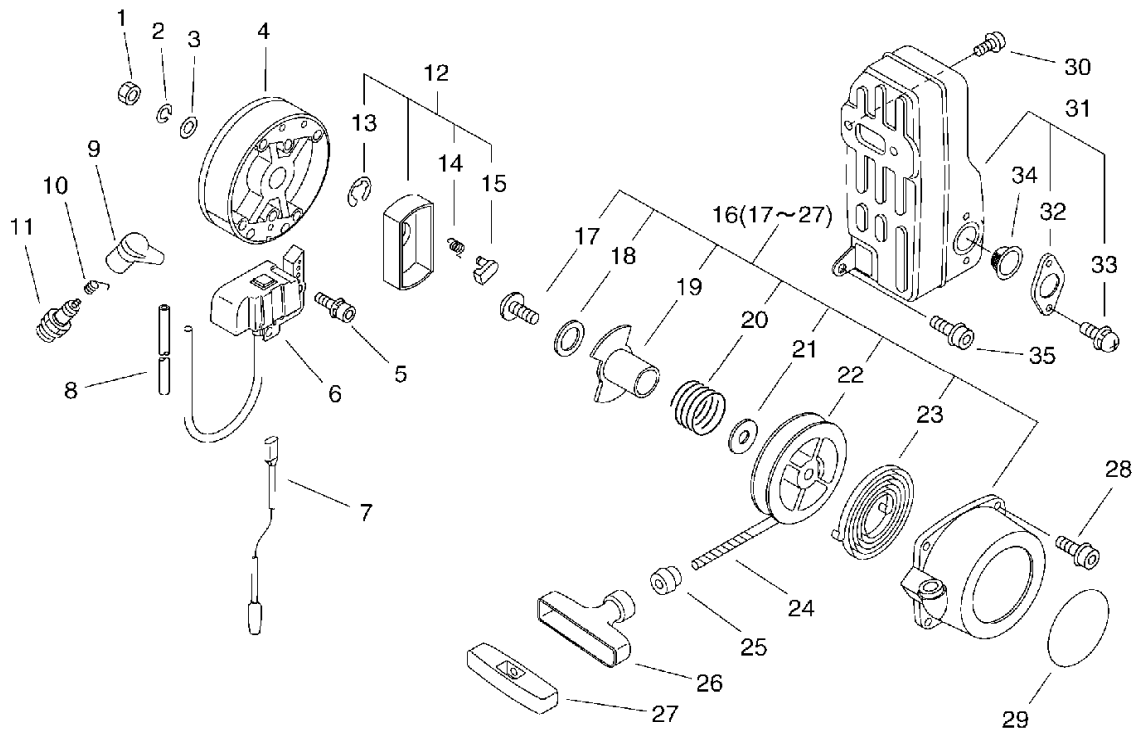
| KEY | LV | PART NUMBER | Q'TY | DESCRIPTION | REMARKS | NOTE1 | NOTE2 |
|-----|----|--------------|------|----------------------|----------------|-------|-------|
| 1 | | 900501-00010 | 1 | NUT 10*1.25 | 10*P1.25 | | |
| 2 | | 900605-00010 | 1 | WASHER, SPRING 10 | 10 | | |
| 3 | | 900602-00010 | 1 | WASHER 10(10.5*21*2) | 10.5*21*2 | | |
| 4 | | A409-000250 | 1 | ROTOR, MAGNETO | VAMAG ID C9014 | | |
| 5 | | 900162-05022 | 2 | BOLT, H.S. 5*22 | 5*22 W,SW | | |
| 6 | | A415-000000 | 1 | MODULE, CDI | | | |
| 7 | | V485-000190 | 1 | LEAD | | | |
| 8 | | 156111-06160 | 1 | TUBE 6.3*8*380 | 6.3*8*380 | | |
| 9 | | 159012-03433 | 1 | CAP, SPARK PLUG | | | |
| 10 | | 159011-03432 | 1 | COIL, SPARK PLUG | | | |
| 11 | | A425-000000 | 1 | SPARKPLUG | BPMR8Y | | |
| 12 | | A052-000042 | 1 | PULLEY, ASM STARTER | | | |
| 13 | + | P022-002100 | 2 | E-RING | 4 | | |
| 14 | + | P022-003130 | 2 | SPRING, RETURN | | | |
| 15 | + | P022-003120 | 2 | PAWL, STARTER | | | |
| 16 | | A051-000841 | 1 | STARTER, RECOIL | | | |
| 17 | + | 177236-61830 | 1 | SCREW | | | |
| 18 | + | P022-010250 | 1 | WASHER, THRUST | | | |
| 19 | + | P022-010220 | 1 | PLATE, FRICTION | | | |
| 20 | + | P022-010231 | 1 | SPRING, FRICTION | | | |
| 21 | + | P022-010240 | 1 | WASHER | | | |
| 22 | + | P022-010280 | 1 | DRUM, STARTER | | | |
| 23 | + | P022-004680 | 1 | SPRING, SPIRAL | | | |
| 24 | + | P022-010270 | 1 | ROPE | | | |
| 25 | + | 177227-42030 | 1 | GUIDE, ROPE | | | |

3. Starter, Magneto, Muffler(Sr/Nr 36001700 and before)



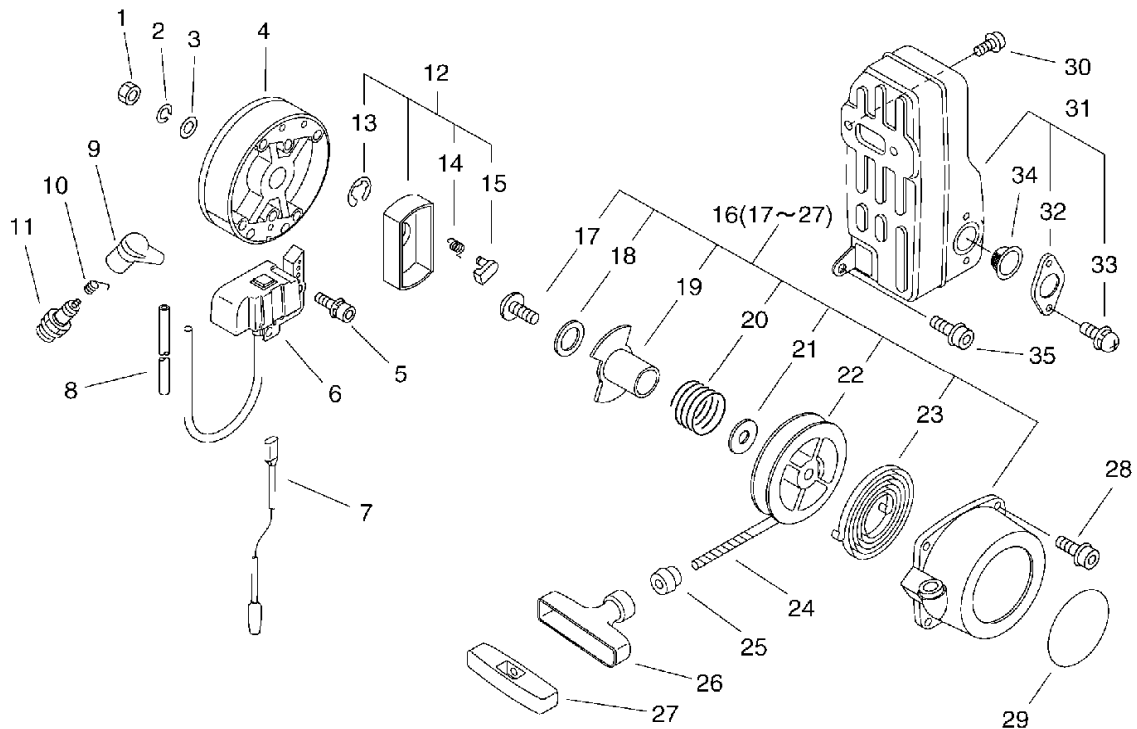
| KEY | LV | PART NUMBER | Q'TY | DESCRIPTION | REMARKS | NOTE1 | NOTE2 |
|-----|----|--------------|------|------------------|--------------|---------------------|-------|
| 26 | + | 177228-11620 | 1 | GRIP, STARTER | | | |
| 27 | + | P022-010260 | 1 | CAP, GRIP | | | |
| 28 | | 900106-05014 | 4 | BOLT, H.S. 5*14 | 5*14 | Sus. by V253-000170 | |
| 29 | | 890118-17930 | 1 | LABEL, ECHO | | Sus. by X502-000460 | |
| 30 | | 91107-06020 | 2 | BOLT HSH FLANGE | M6*20 | | |
| 31 | | P021-008210 | 1 | MUFFLER ASY | | | |
| 32 | + | A313-000310 | 1 | GUIDE, EXH | | | |
| 33 | + | 91367-04010 | 2 | SCREW | 4*10/SW(SUS) | | |
| 34 | | A310-000000 | 1 | SCREEN, ARRESTOR | | | |
| 35 | | 900106-05014 | 1 | BOLT, H.S. 5*14 | 5*14 | Sus. by V253-000170 | |

4. Starter, Magneto, Muffler(Sr/Nr 36001701 to 36002361)



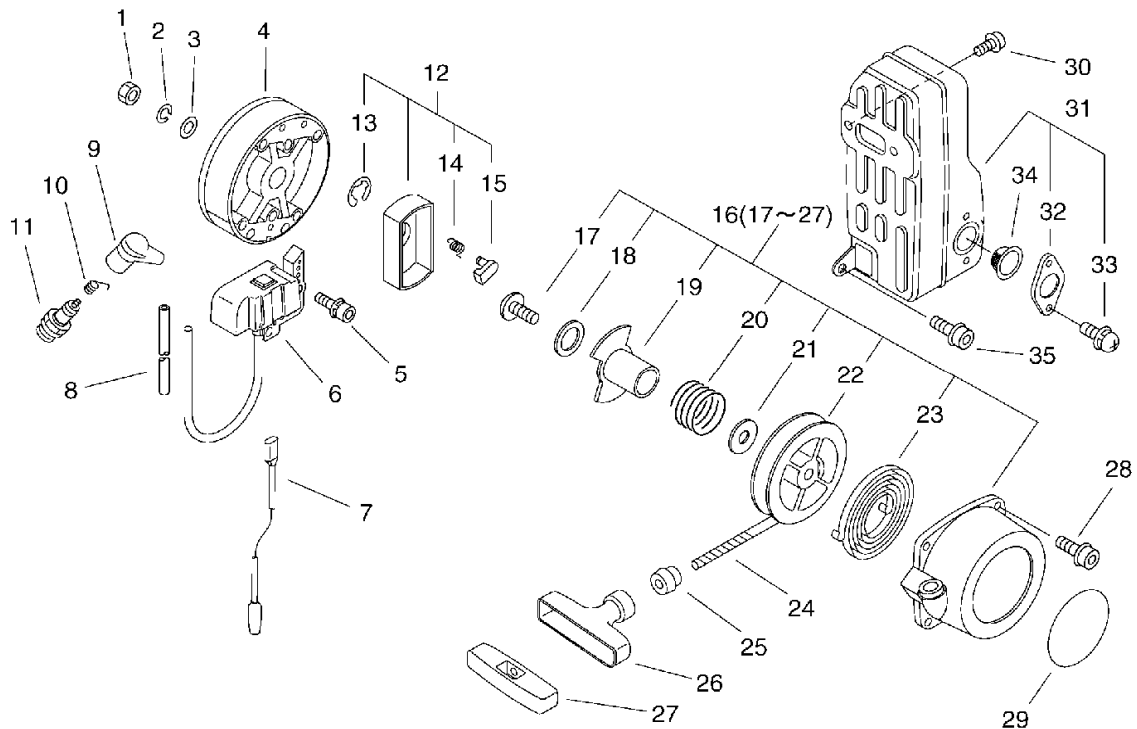
| KEY | LV | PART NUMBER | Q'TY | DESCRIPTION | REMARKS | NOTE1 | NOTE2 |
|-----|----|--------------|------|----------------------|----------------|-------|-------|
| 1 | | 900501-00010 | 1 | NUT 10*1.25 | 10*P1.25 | | |
| 2 | | 900605-00010 | 1 | WASHER, SPRING 10 | 10 | | |
| 3 | | 900602-00010 | 1 | WASHER 10(10.5*21*2) | 10.5*21*2 | | |
| 4 | | A409-000250 | 1 | ROTOR, MAGNETO | VAMAG ID C9014 | | |
| 5 | | 900162-05022 | 2 | BOLT, H.S. 5*22 | 5*22 W,SW | | |
| 6 | | A415-000000 | 1 | MODULE, CDI | | | |
| 7 | | V485-000190 | 1 | LEAD | | | |
| 8 | | 156111-06160 | 1 | TUBE 6.3*8*380 | 6.3*8*380 | | |
| 9 | | 159012-03433 | 1 | CAP, SPARK PLUG | | | |
| 10 | | 159011-03432 | 1 | COIL, SPARK PLUG | | | |
| 11 | | A425-000000 | 1 | SPARKPLUG | BPMR8Y | | |
| 12 | | A052-000042 | 1 | PULLEY, ASM STARTER | | | |
| 13 | + | P022-002100 | 2 | E-RING | 4 | | |
| 14 | + | P022-003130 | 2 | SPRING, RETURN | | | |
| 15 | + | P022-003120 | 2 | PAWL, STARTER | | | |
| 16 | | A051-000841 | 1 | STARTER, RECOIL | | | |
| 17 | + | 177236-61830 | 1 | SCREW | | | |
| 18 | + | P022-010250 | 1 | WASHER, THRUST | | | |
| 19 | + | P022-010220 | 1 | PLATE, FRICTION | | | |
| 20 | + | P022-010231 | 1 | SPRING, FRICTION | | | |
| 21 | + | P022-010240 | 1 | WASHER | | | |
| 22 | + | P022-010280 | 1 | DRUM, STARTER | | | |
| 23 | + | P022-004680 | 1 | SPRING, SPIRAL | | | |
| 24 | + | P022-010270 | 1 | ROPE | | | |
| 25 | + | 177227-42030 | 1 | GUIDE, ROPE | | | |

4. Starter, Magneto, Muffler(Sr/Nr 36001701 to 36002361)



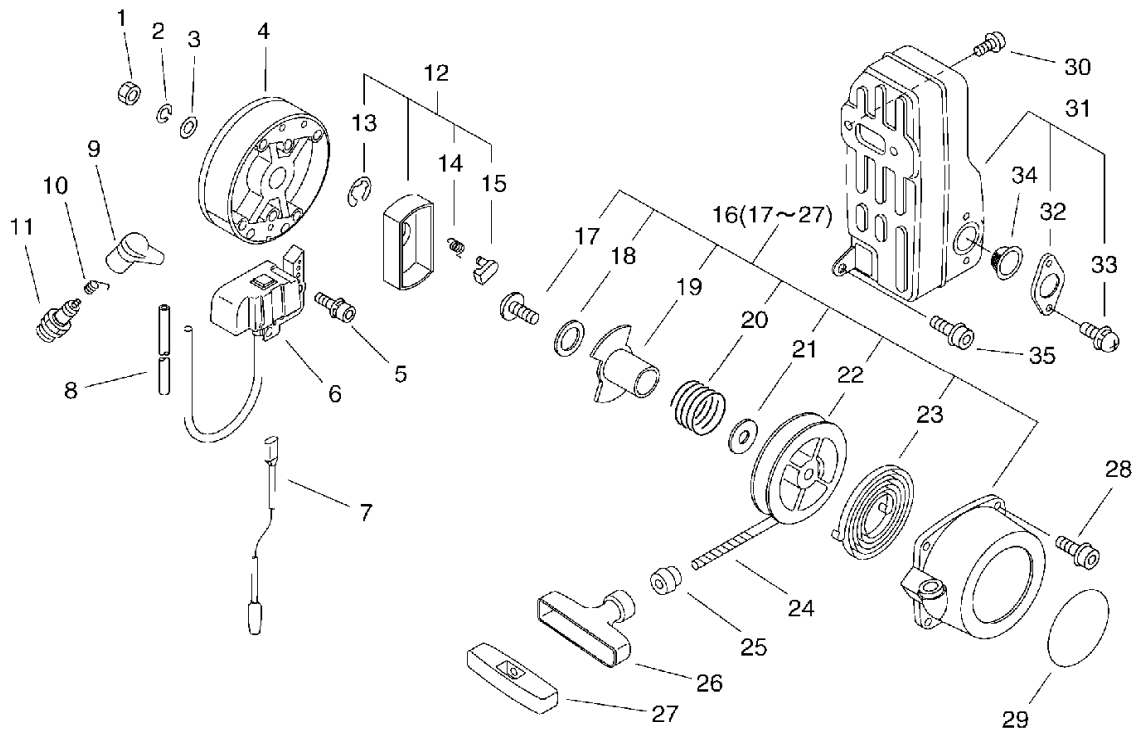
| KEY | LV | PART NUMBER | Q'TY | DESCRIPTION | REMARKS | NOTE1 | NOTE2 |
|-----|----|--------------|------|-----------------|--------------|----------------------|-------|
| 26 | + | 177228-11620 | 1 | GRIP, STARTER | | | |
| 27 | + | P022-010260 | 1 | CAP, GRIP | | | |
| 28 | | 900106-05014 | 4 | BOLT, H.S. 5*14 | 5*14 | Sus. by V253-000170 | |
| 28 | | V253-000170 | 4 | SCREW,5 | | Sus. by 900106-05014 | |
| 29 | | 890118-17930 | 1 | LABEL, ECHO | | Sus. by X502-000460 | |
| 30 | | 91107-06020 | 2 | BOLT HSH FLANGE | M6*20 | | |
| 31 | | P021-008210 | 1 | MUFFLER ASY | | | |
| 32 | + | A313-000310 | 1 | GUIDE,EXH | | | |
| 33 | + | 91367-04010 | 2 | SCREW | 4*10/SW(SUS) | | |
| 34 | | A310-000000 | 1 | SCREEN,ARRESTOR | | | |
| 35 | | 900106-05014 | 1 | BOLT, H.S. 5*14 | 5*14 | Sus. by V253-000170 | |
| 35 | | V253-000170 | 1 | SCREW,5 | | Sus. by 900106-05014 | |

5. Starter, Magneto, Muffler(Sr/Nr 36002362 and after)



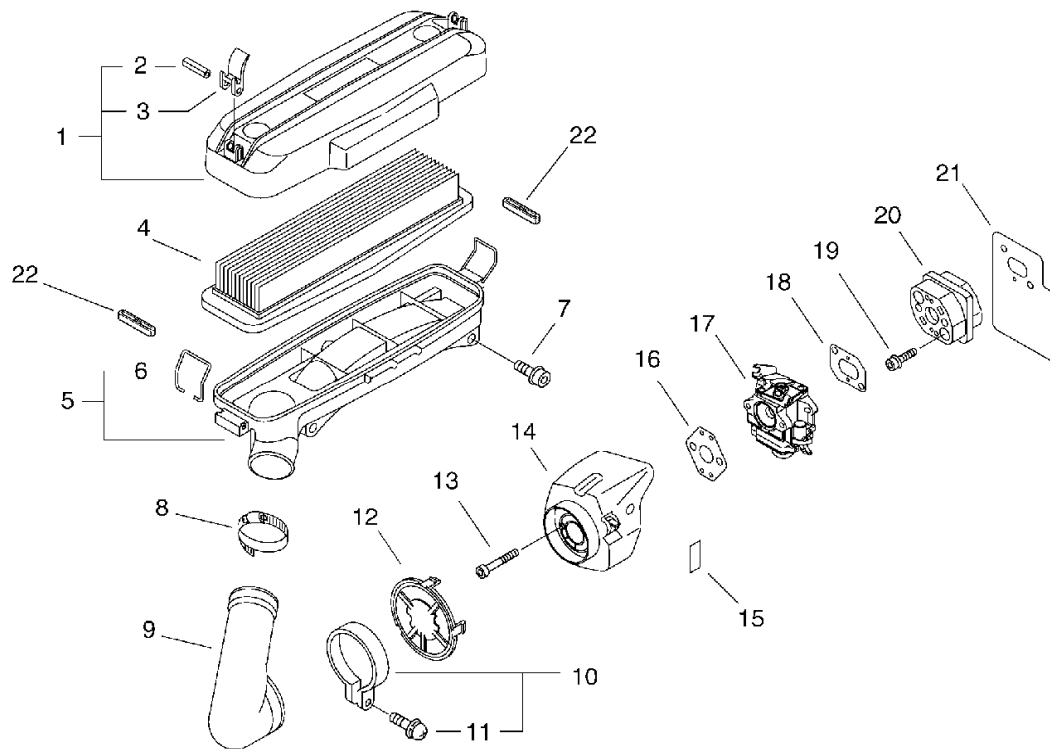
| KEY | LV | PART NUMBER | Q'TY | DESCRIPTION | REMARKS | NOTE1 | NOTE2 |
|-----|----|--------------|------|----------------------|----------------|-------|-------|
| 1 | | 900501-00010 | 1 | NUT 10*1.25 | 10*P1.25 | | |
| 2 | | 900605-00010 | 1 | WASHER, SPRING 10 | 10 | | |
| 3 | | 900602-00010 | 1 | WASHER 10(10.5*21*2) | 10.5*21*2 | | |
| 4 | | A409-000250 | 1 | ROTOR, MAGNETO | VAMAG ID C9014 | | |
| 5 | | 900162-05022 | 2 | BOLT, H.S. 5*22 | 5*22 W,SW | | |
| 6 | | A415-000000 | 1 | MODULE, CDI | | | |
| 7 | | V485-000190 | 1 | LEAD | | | |
| 8 | | 156111-06160 | 1 | TUBE 6.3*8*380 | 6.3*8*380 | | |
| 9 | | 159012-03433 | 1 | CAP, SPARK PLUG | | | |
| 10 | | 159011-03432 | 1 | COIL, SPARK PLUG | | | |
| 11 | | A425-000000 | 1 | SPARKPLUG | BPMR8Y | | |
| 12 | | A052-000042 | 1 | PULLEY, ASM STARTER | | | |
| 13 | + | P022-002100 | 2 | E-RING | 4 | | |
| 14 | + | P022-003130 | 2 | SPRING, RETURN | | | |
| 15 | + | P022-003120 | 2 | PAWL, STARTER | | | |
| 16 | | A051-000841 | 1 | STARTER, RECOIL | | | |
| 17 | + | 177236-61830 | 1 | SCREW | | | |
| 18 | + | P022-010250 | 1 | WASHER, THRUST | | | |
| 19 | + | P022-010220 | 1 | PLATE, FRICTION | | | |
| 20 | + | P022-010231 | 1 | SPRING, FRICTION | | | |
| 21 | + | P022-010240 | 1 | WASHER | | | |
| 22 | + | P022-010280 | 1 | DRUM, STARTER | | | |
| 23 | + | P022-004680 | 1 | SPRING, SPIRAL | | | |
| 24 | + | P022-010270 | 1 | ROPE | | | |
| 25 | + | 177227-42030 | 1 | GUIDE, ROPE | | | |

5. Starter, Magneto, Muffler(Sr/Nr 36002362 and after)



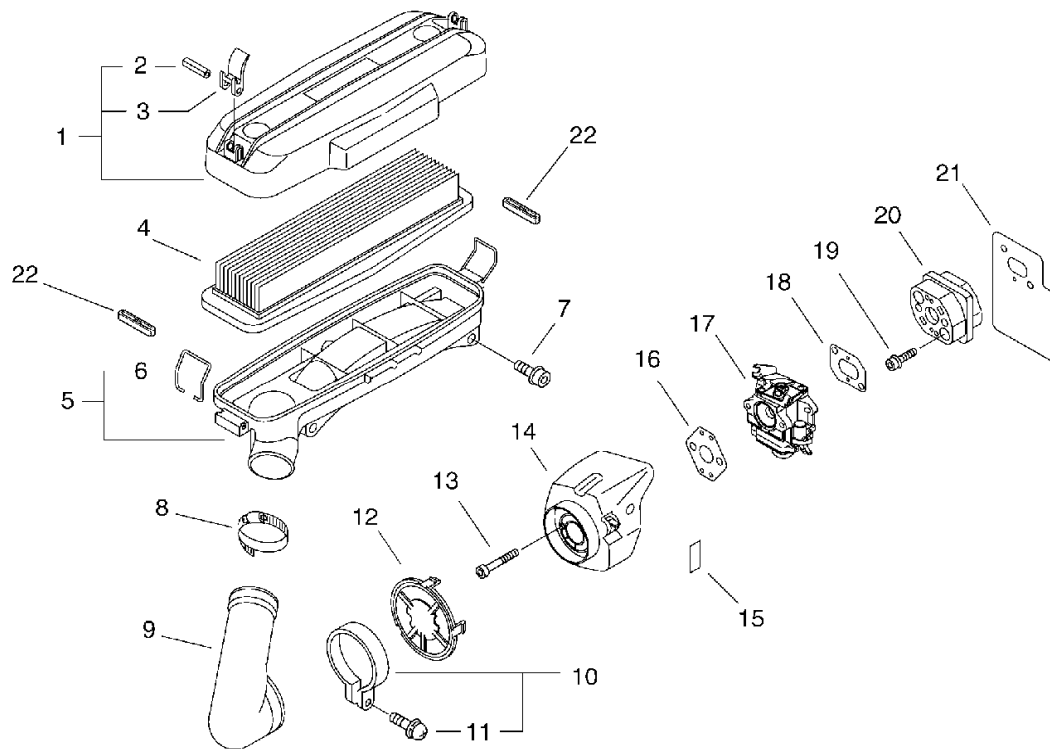
| KEY | LV | PART NUMBER | Q'TY | DESCRIPTION | REMARKS | NOTE1 | NOTE2 |
|-----|----|--------------|------|------------------|--------------|----------------------|-------|
| 26 | + | 177228-11620 | 1 | GRIP, STARTER | | | |
| 27 | + | P022-010260 | 1 | CAP, GRIP | | | |
| 28 | | V253-000170 | 4 | SCREW,5 | | Sus. by 900106-05014 | |
| 28 | | 900106-05014 | 4 | BOLT, H.S. 5*14 | 5*14 | | |
| 29 | | 890118-17930 | 1 | LABEL, ECHO | | Sus. by X502-000460 | |
| 29 | | X502-000460 | 1 | LABEL, ECHO | | | |
| 30 | | 91107-06020 | 2 | BOLT HSH FLANGE | M6*20 | | |
| 31 | | P021-008210 | 1 | MUFFLER ASY | | | |
| 32 | + | A313-000310 | 1 | GUIDE, EXH | | | |
| 33 | + | 91367-04010 | 2 | SCREW | 4*10/SW(SUS) | | |
| 34 | | A310-000000 | 1 | SCREEN, ARRESTOR | | | |
| 35 | | V253-000170 | 1 | SCREW,5 | | Sus. by 900106-05014 | |
| 35 | | 900106-05014 | 1 | BOLT, H.S. 5*14 | 5*14 | | |

6. Air Cleaner(Sr/Nr 36001700 and before)



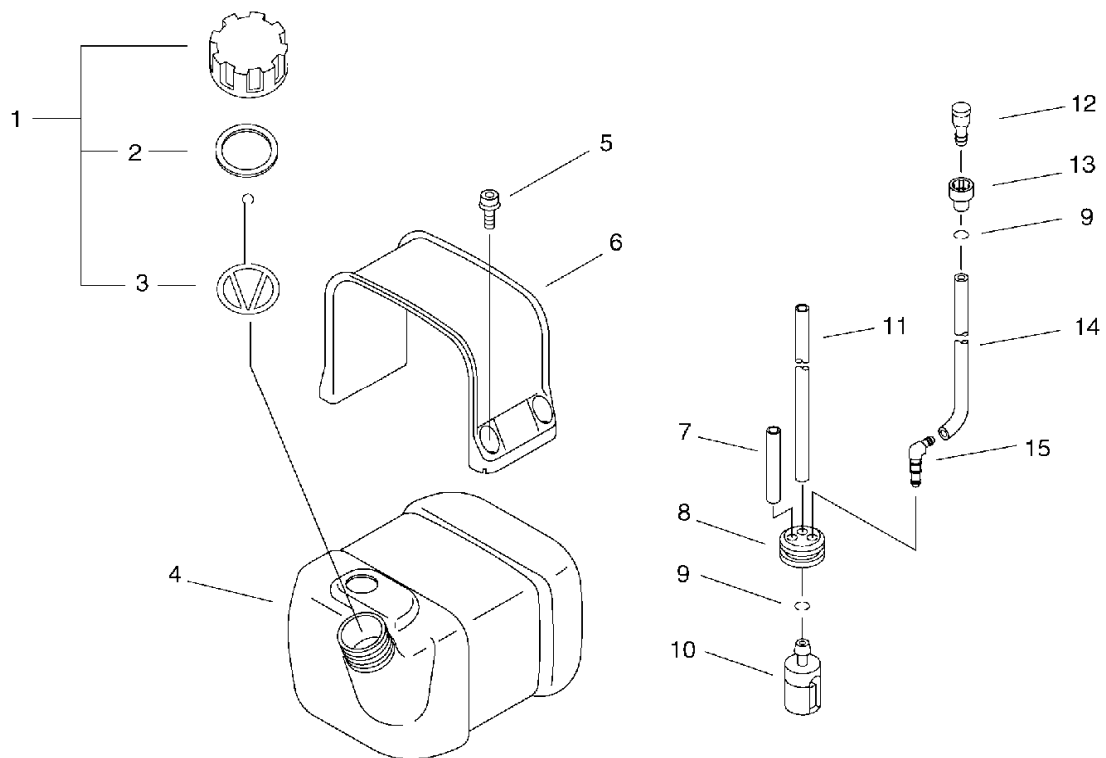
| KEY | LV | PART NUMBER | Q'TY | DESCRIPTION | REMARKS | NOTE1 | NOTE2 |
|-----|----|--------------|------|----------------------|------------|-------|-------|
| 1 | | A232-000170 | 1 | LID,CLEANER | | | |
| 2 | + | 900345-30025 | 2 | PIN, SPRING 3*25 | 3*25 | | |
| 3 | + | 130341-08260 | 2 | KNOB | | | |
| 4 | | 130305-08361 | 1 | FILTER, AIR | | | |
| 5 | | P021-005701 | 1 | CASE, AIR CLEANER | | | |
| 6 | + | 131032-08360 | 2 | CLIP | | | |
| 7 | | 900106-05035 | 2 | BOLT, H.S. 5*35 | 5*35 | | |
| 8 | | V495-000590 | 1 | BAND | 33MM /57MM | | |
| 9 | | A239-000010 | 1 | PIPE,INTAKE | | | |
| 10 | | P021-043140 | 1 | CLAMP W/SCREW | | | |
| 11 | + | 900238-05025 | 1 | SCREW 5*25 | 5*25 | | |
| 12 | | A244-000060 | 1 | PLATE,PREVENT | | | |
| 13 | | 900105-05055 | 2 | BOLT, H.S. 5*55 | 5*55 | | |
| 14 | | P021-005690 | 1 | CLEANER CASE ASY | | | |
| 15 | | 890332-52730 | 1 | LABEL, CHOKE | | | |
| 16 | | V103-000080 | 1 | GASKET,INTAKE | | | |
| 17 | | A021-000810 | 1 | CARBURETOR,DIAPHRAGM | WYK-192 | | |
| 18 | | V103-000140 | 1 | GASKET,INTAKE | | | |
| 19 | | 900106-05025 | 2 | BOLT, H.S. 5*25 | 5*25 | | |
| 20 | | A200-000070 | 1 | INSULATOR,INTAKE | | | |
| 21 | | V103-000130 | 1 | GASKET,INTAKE | | | |

7. Air Cleaner(Sr/Nr 36001701 and after)



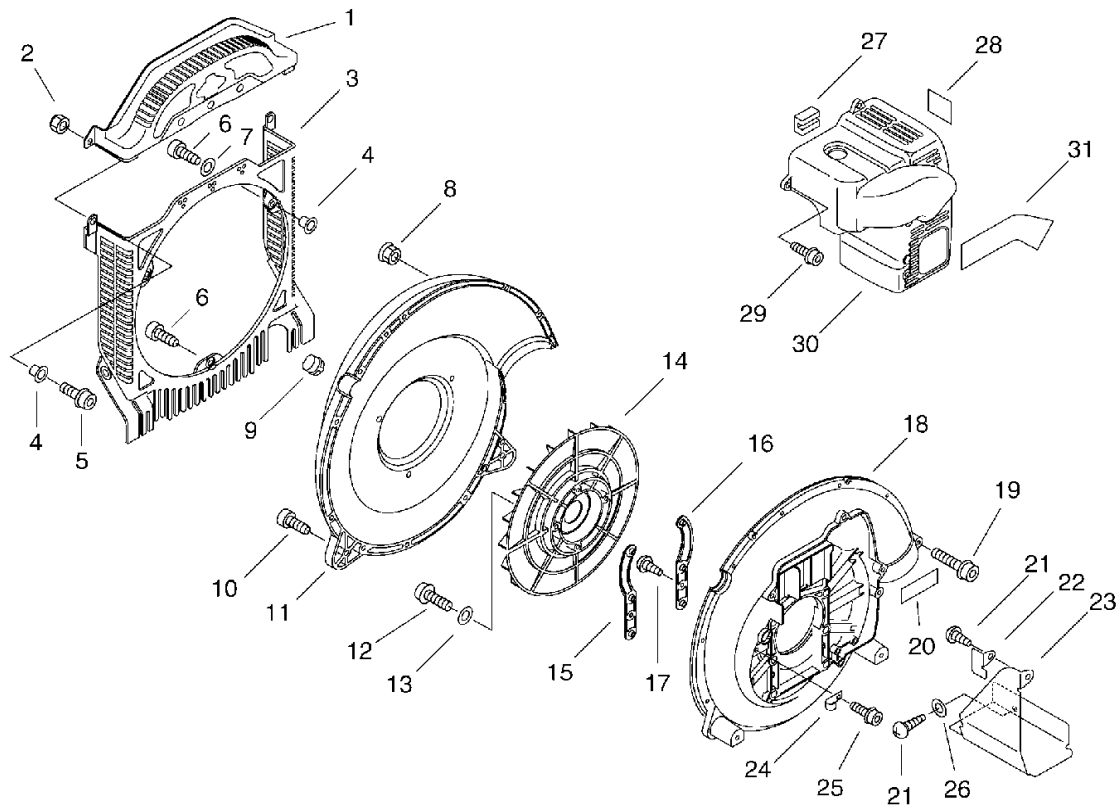
| KEY | LV | PART NUMBER | Q'TY | DESCRIPTION | REMARKS | NOTE1 | NOTE2 |
|-----|----|--------------|------|----------------------|-----------------|-----------------------------|-------|
| 1 | | A232-000170 | 1 | LID,CLEANER | | | |
| 2 | + | 900345-30025 | 2 | PIN, SPRING 3*25 | 3*25 | | |
| 3 | + | 130341-08260 | 2 | KNOB | | | |
| 4 | | 130305-08361 | 1 | FILTER, AIR | | | |
| 5 | | P021-005701 | 1 | CASE, AIR CLEANER | | | |
| 6 | + | 131032-08360 | 2 | CLIP | | | |
| 7 | | 900106-05035 | 2 | BOLT, H.S. 5*35 | 5*35 | | |
| 8 | | V495-000590 | 1 | BAND | 33MM /57MM | | |
| 9 | | A239-000010 | 1 | PIPE,INTAKE | | | |
| 10 | | P021-043140 | 1 | CLAMP W/SCREW | | | |
| 11 | + | 900238-05025 | 1 | SCREW 5*25 | 5*25 | | |
| 12 | | A244-000060 | 1 | PLATE,PREVENT | | | |
| 13 | | 900105-05055 | 2 | BOLT, H.S. 5*55 | 5*55 | | |
| 14 | | P021-005690 | 1 | CLEANER CASE ASY | | | |
| 15 | | 890332-52730 | 1 | LABEL, CHOKE | | | |
| 16 | | V103-000080 | 1 | GASKET,INTAKE | | | |
| 17 | | A021-000810 | 1 | CARBURETOR,DIAPHRAGM | WYK-192 | | |
| 18 | | V103-000140 | 1 | GASKET,INTAKE | | | |
| 19 | | 900106-05025 | 2 | BOLT, H.S. 5*25 | 5*25 | | |
| 20 | | A200-000070 | 1 | INSULATOR,INTAKE | | | |
| 21 | | V103-000130 | 1 | GASKET,INTAKE | | | |
| 22 | | V491-000220 | 2 | CLIP | AIR FILTER CLIP | Sr/Nr 36004352 and after | |

8. Fuel Tank



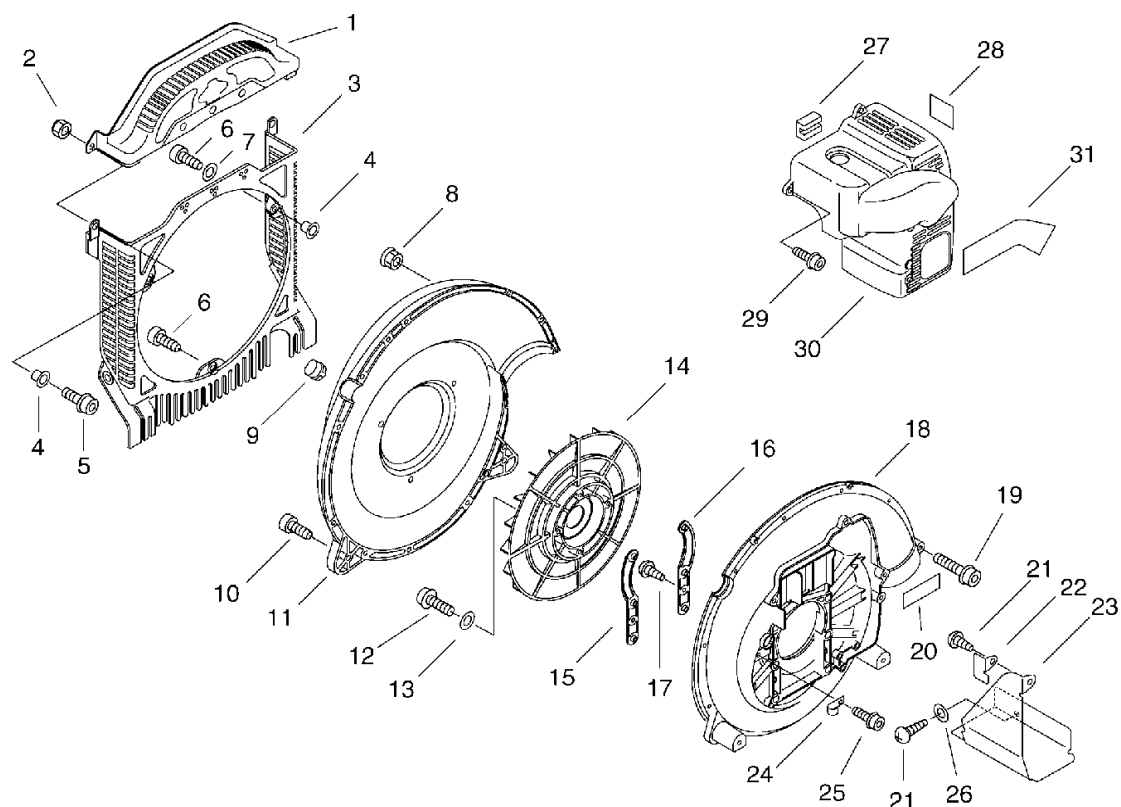
| KEY | LV | PART NUMBER | Q'TY | DESCRIPTION | REMARKS | NOTE1 | NOTE2 |
|-----|----|--------------|------|---------------------|---------|----------------------|-------|
| 1 | | 131004-55530 | 1 | CAP ASSY, FUEL TANK | | | |
| 2 | + | 131016-55830 | 1 | GASKET, FUEL CAP | | | |
| 3 | + | 131051-56030 | 1 | CLIP, FUEL CAP | 100L | | |
| 4 | | A350-000151 | 1 | TANK, FUEL | | | |
| 5 | | 900106-05016 | 4 | BOLT, H.S. 5*16 | 5*16 | | |
| 6 | | A392-000000 | 1 | BAND, FUEL TANK | | | |
| 7 | | V471-000550 | 1 | PIPE | 3*6*145 | | |
| 8 | | 132115-55930 | 1 | GROMMET, FUEL | | | |
| 9 | | 132013-26630 | 2 | CLIP | 6.5MM | | |
| 10 | | 131205-19830 | 1 | STRAINER, FUEL | | Sus. by 131205-19831 | |
| 11 | | 132010-35430 | 1 | PIPE 3*6*230 | 3*6*230 | | |
| 12 | | A356-000030 | 1 | VALVE, CHECK | | | |
| 13 | | 131328-40630 | 1 | COVER, VENT | | | |
| 14 | | V471-000610 | 1 | PIPE | 3*6*145 | | |
| 15 | | V186-000080 | 1 | JOINT, PIPE | | | |

9. Fan Case(Sr/Nr 36001700 and before)



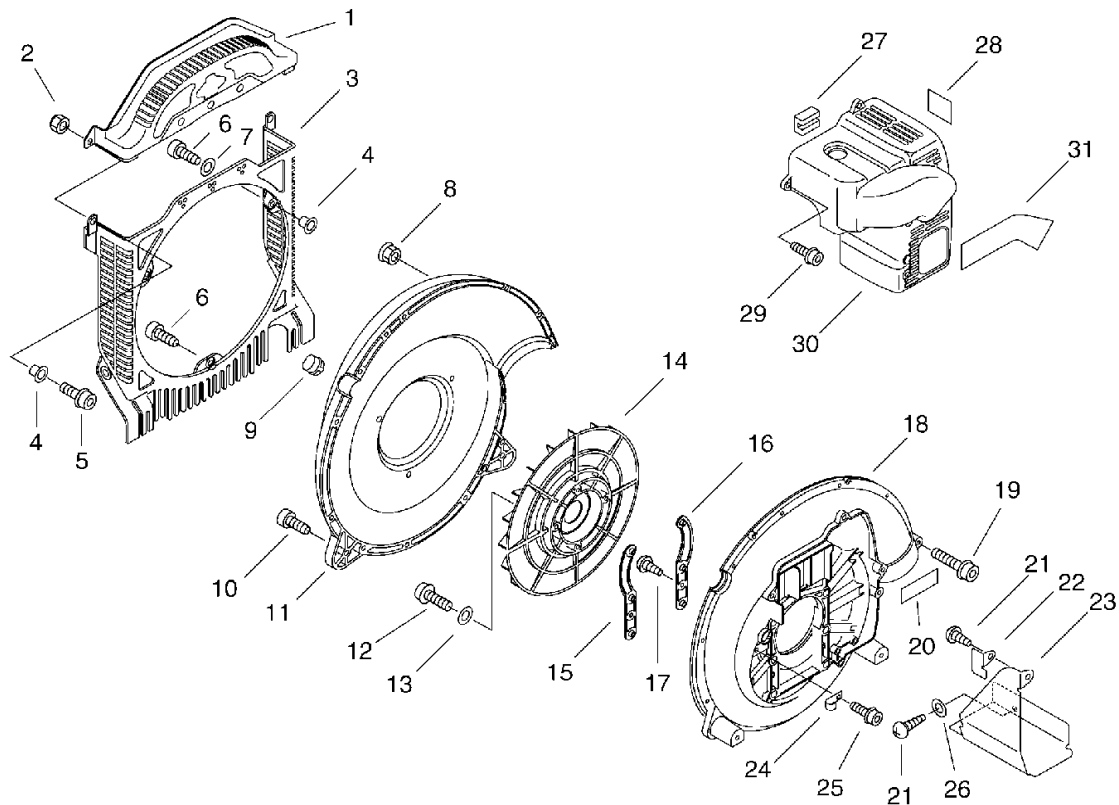
| KEY | LV | PART NUMBER | Q'TY | DESCRIPTION | REMARKS | NOTE1 | NOTE2 |
|-----|----|--------------|------|-------------------|------------|-------|-------|
| 1 | | E104-000041 | 1 | GRID,BLOWER | | | |
| 2 | | 900562-50005 | 4 | LOCKNUT 5 | 5 | | |
| 3 | | E104-000051 | 1 | GRID,BLOWER | | | |
| 4 | | 104915-08260 | 6 | SPACER | | | |
| 5 | | 900106-05020 | 4 | BOLT, H.S. 5*20 | 5*20 | | |
| 6 | | 91145-05020 | 3 | BOLT HS TAPPING | 5*20 | | |
| 7 | | 613019-07350 | 2 | WASHER 5.5*16*2T | 5.5*16*2T | | |
| 8 | | 900516-00005 | 2 | NUT, FRANGE 5 | 5 | | |
| 9 | | E109-000010 | 1 | LID,FANCASE | | | |
| 10 | | 91145-05020 | 12 | BOLT HS TAPPING | 5*20 | | |
| 11 | | E103-000350 | 1 | CASE,FAN | | | |
| 12 | | 900105-06035 | 4 | BOLT, H.S. 6*35 | 6*35 | | |
| 13 | | 145642-06230 | 4 | WASHER | | | |
| 14 | | E100-000041 | 1 | FAN,BLOWER | | | |
| 15 | | C632-000042 | 1 | PLATE,ENG | | | |
| 16 | | C632-000052 | 1 | PLATE,ENG | | | |
| 17 | | 900246-05014 | 2 | SCREW 5*14 | 5*14 | | |
| 18 | | E103-000341 | 1 | CASE,FAN | | | |
| 19 | | 900105-05060 | 2 | BOLT, H.S. 5*60 | 5*60 | | |
| 20 | | 890160-09461 | 1 | LABEL, CAUTION | | | |
| 21 | | 900253-05010 | 2 | SCREW 5*10 | 5*10 | | |
| 22 | | V152-000770 | 1 | PLATE,ANGLE | | | |
| 23 | | A322-000020 | 1 | INSULATOR,MUFFLER | | | |
| 24 | | 178111-22330 | 1 | CLIP | | | |
| 25 | | 91145-05016 | 1 | BOLT HS TAPPING | 5*16 | | |
| 26 | | 900603-00005 | 1 | WASHER 5 | 5.5*12*0.8 | | |

9. Fan Case(Sr/Nr 36001700 and before)



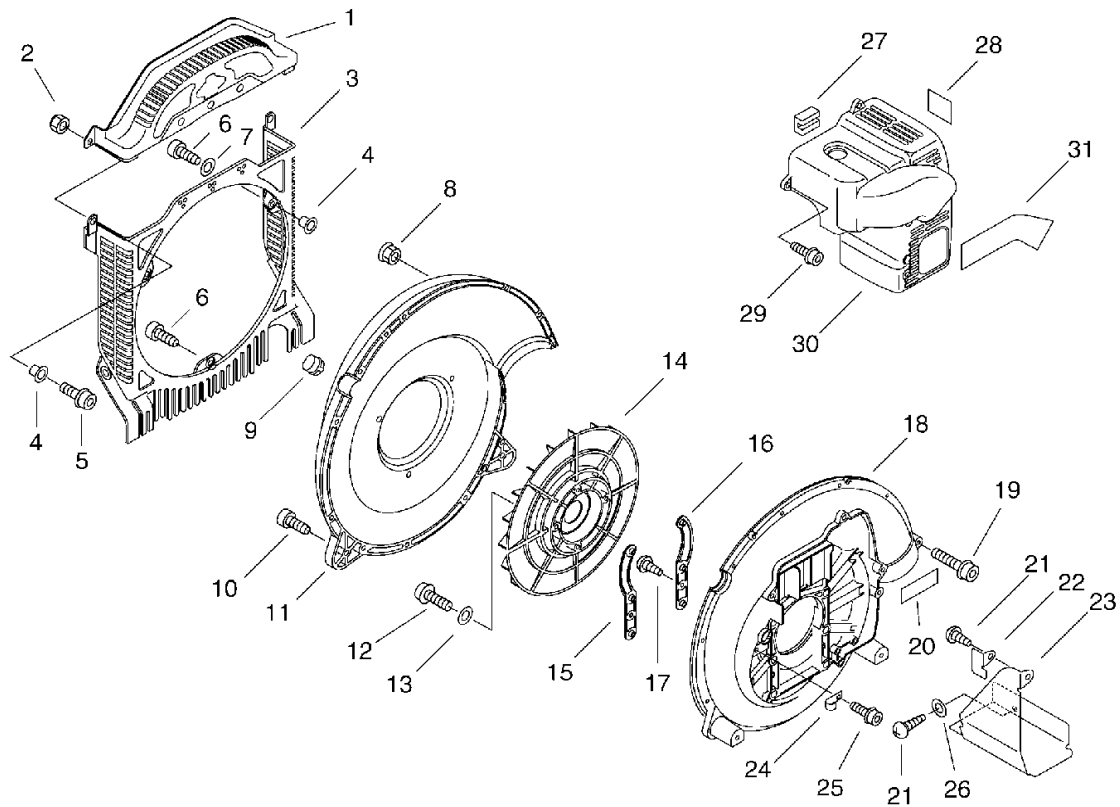
| KEY | LV | PART NUMBER | Q'TY | DESCRIPTION | REMARKS | NOTE1 | NOTE2 |
|-----|----|--------------|------|-----------------|-----------|---------------------|-------|
| 27 | | V420-000570 | 1 | CUSHION | | | |
| 28 | | 890160-06361 | 1 | LABEL, CAUTION | | Sus. by X505-002310 | |
| 29 | | 91145-05020 | 4 | BOLT HS TAPPING | 5*20 | | |
| 30 | | A190-000111 | 1 | COVER,ENGINE | | | |
| 31 | | X503-007440 | 1 | LABEL,MODEL | PB-755 EU | Sus. by X503-007441 | |

10. Fan Case(Sr/Nr 36001701 to 36002361)



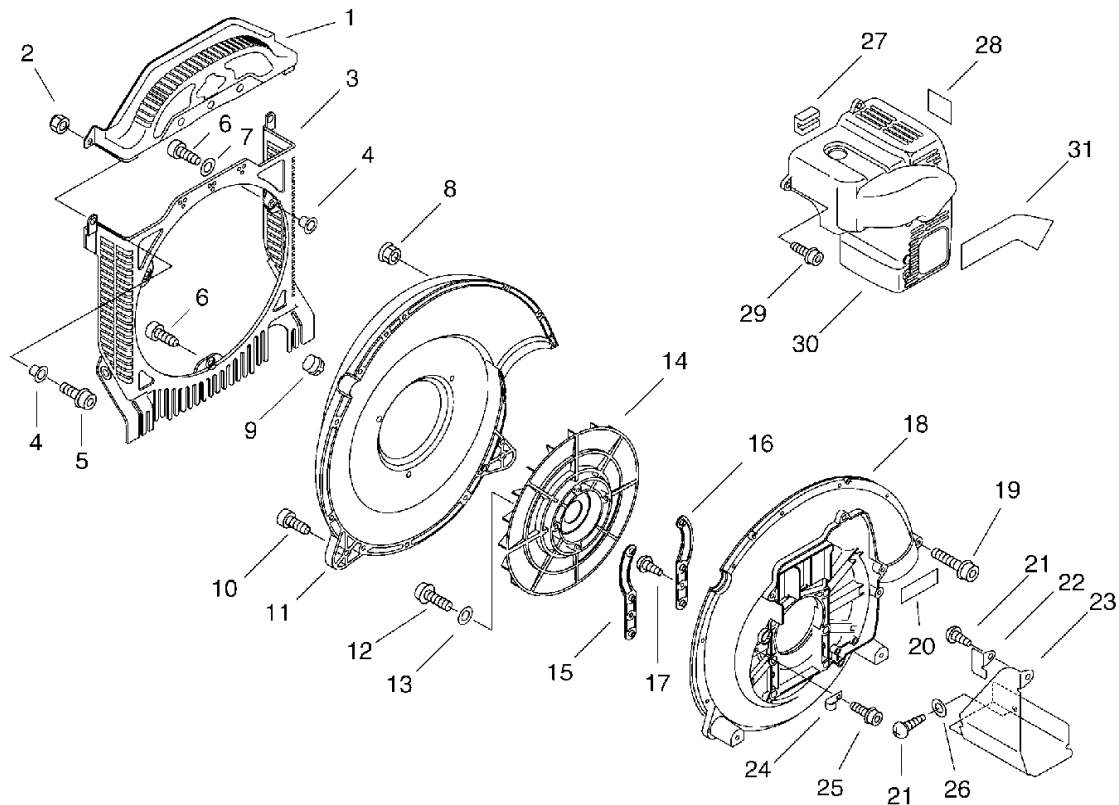
| KEY | LV | PART NUMBER | Q'TY | DESCRIPTION | REMARKS | NOTE1 | NOTE2 |
|-----|----|--------------|------|-------------------|------------|-------|-------|
| 1 | | E104-000041 | 1 | GRID,BLOWER | | | |
| 2 | | 900562-50005 | 4 | LOCKNUT 5 | 5 | | |
| 3 | | E104-000051 | 1 | GRID,BLOWER | | | |
| 4 | | 104915-08260 | 6 | SPACER | | | |
| 5 | | 900106-05020 | 4 | BOLT, H.S. 5*20 | 5*20 | | |
| 6 | | 91145-05020 | 3 | BOLT HS TAPPING | 5*20 | | |
| 7 | | 613019-07350 | 2 | WASHER 5.5*16*2T | 5.5*16*2T | | |
| 8 | | 900516-00005 | 2 | NUT, FRANGE 5 | 5 | | |
| 9 | | E109-000010 | 1 | LID,FANCASE | | | |
| 10 | | 91145-05020 | 12 | BOLT HS TAPPING | 5*20 | | |
| 11 | | E103-000350 | 1 | CASE,FAN | | | |
| 12 | | 900105-06035 | 4 | BOLT, H.S. 6*35 | 6*35 | | |
| 13 | | 145642-06230 | 4 | WASHER | | | |
| 14 | | E100-000041 | 1 | FAN,BLOWER | | | |
| 15 | | C632-000042 | 1 | PLATE,ENG | | | |
| 16 | | C632-000052 | 1 | PLATE,ENG | | | |
| 17 | | 900246-05014 | 2 | SCREW 5*14 | 5*14 | | |
| 18 | | E103-000341 | 1 | CASE,FAN | | | |
| 19 | | 900105-05060 | 2 | BOLT, H.S. 5*60 | 5*60 | | |
| 20 | | 890160-09461 | 1 | LABEL, CAUTION | | | |
| 21 | | 900253-05010 | 2 | SCREW 5*10 | 5*10 | | |
| 22 | | V152-000770 | 1 | PLATE,ANGLE | | | |
| 23 | | A322-000020 | 1 | INSULATOR,MUFFLER | | | |
| 24 | | 178111-22330 | 1 | CLIP | | | |
| 25 | | 91145-05016 | 1 | BOLT HS TAPPING | 5*16 | | |
| 26 | | 900603-00005 | 1 | WASHER 5 | 5.5*12*0.8 | | |

10. Fan Case(Sr/Nr 36001701 to 36002361)



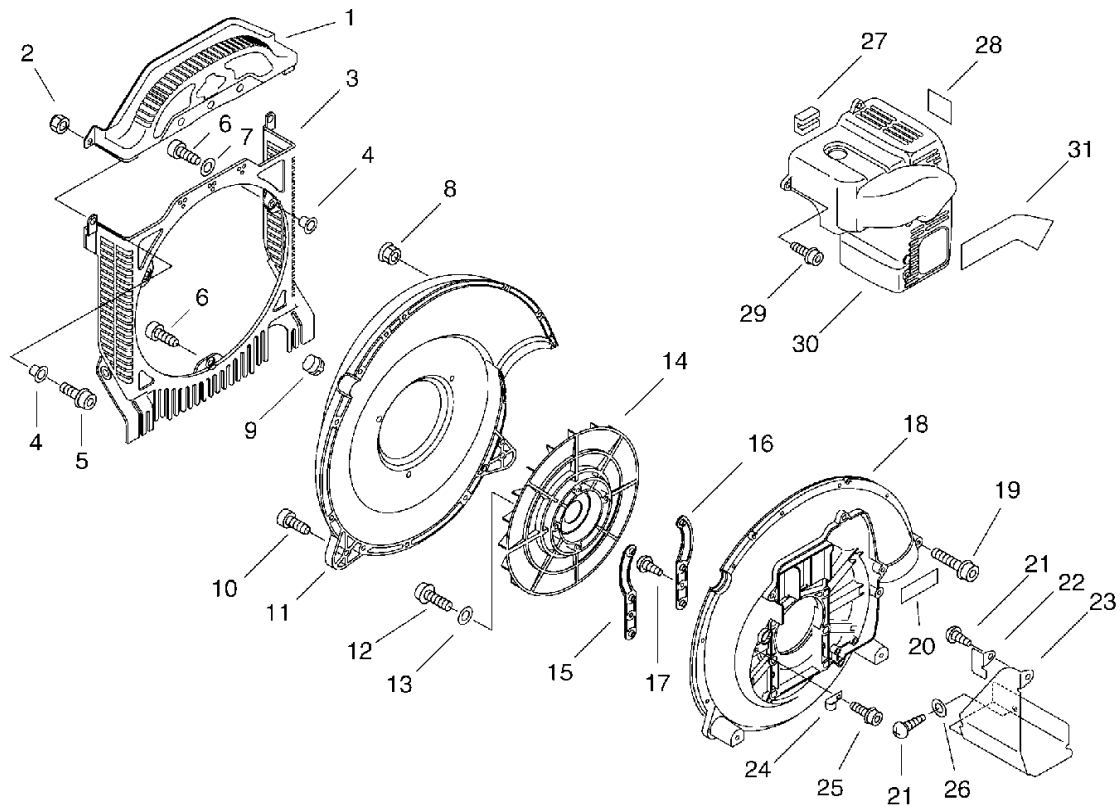
| KEY | LV | PART NUMBER | Q'TY | DESCRIPTION | REMARKS | NOTE1 | NOTE2 |
|-----|----|--------------|------|-----------------|-----------|---------------------|-------|
| 27 | | V420-000570 | 1 | CUSHION | | | |
| 28 | | 890160-06361 | 1 | LABEL, CAUTION | | Sus. by X505-002310 | |
| 29 | | 91145-05020 | 4 | BOLT HS TAPPING | 5*20 | | |
| 30 | | A190-000111 | 1 | COVER,ENGINE | | | |
| 31 | | X503-007440 | 1 | LABEL,MODEL | PB-755 EU | Sus. by X503-007441 | |

11. Fan Case(Sr/Nr 36002362 and after)



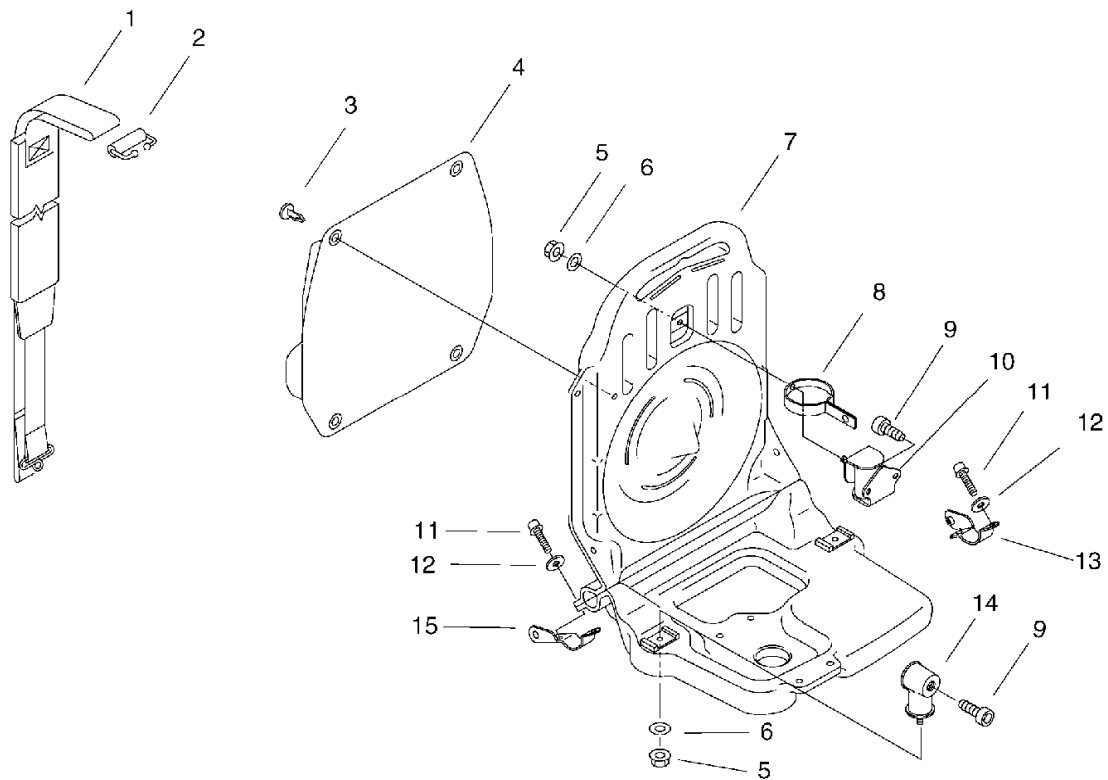
| KEY | LV | PART NUMBER | Q'TY | DESCRIPTION | REMARKS | NOTE1 | NOTE2 |
|-----|----|--------------|------|-------------------|------------|-------|-------|
| 1 | | E104-000041 | 1 | GRID,BLOWER | | | |
| 2 | | 900562-50005 | 4 | LOCKNUT 5 | 5 | | |
| 3 | | E104-000051 | 1 | GRID,BLOWER | | | |
| 4 | | 104915-08260 | 6 | SPACER | | | |
| 5 | | 900106-05020 | 4 | BOLT, H.S. 5*20 | 5*20 | | |
| 6 | | 91145-05020 | 3 | BOLT HS TAPPING | 5*20 | | |
| 7 | | 613019-07350 | 2 | WASHER 5.5*16*2T | 5.5*16*2T | | |
| 8 | | 900516-00005 | 2 | NUT, FRANGE 5 | 5 | | |
| 9 | | E109-000010 | 1 | LID,FANCASE | | | |
| 10 | | 91145-05020 | 12 | BOLT HS TAPPING | 5*20 | | |
| 11 | | E103-000350 | 1 | CASE,FAN | | | |
| 12 | | 900105-06035 | 4 | BOLT, H.S. 6*35 | 6*35 | | |
| 13 | | 145642-06230 | 4 | WASHER | | | |
| 14 | | E100-000041 | 1 | FAN,BLOWER | | | |
| 15 | | C632-000042 | 1 | PLATE,ENG | | | |
| 16 | | C632-000052 | 1 | PLATE,ENG | | | |
| 17 | | 900246-05014 | 2 | SCREW 5*14 | 5*14 | | |
| 18 | | E103-000341 | 1 | CASE,FAN | | | |
| 19 | | 900105-05060 | 2 | BOLT, H.S. 5*60 | 5*60 | | |
| 20 | | 890160-09461 | 1 | LABEL, CAUTION | | | |
| 21 | | 900253-05010 | 2 | SCREW 5*10 | 5*10 | | |
| 22 | | V152-000770 | 1 | PLATE,ANGLE | | | |
| 23 | | A322-000020 | 1 | INSULATOR,MUFFLER | | | |
| 24 | | 178111-22330 | 1 | CLIP | | | |
| 25 | | 91145-05016 | 1 | BOLT HS TAPPING | 5*16 | | |
| 26 | | 900603-00005 | 1 | WASHER 5 | 5.5*12*0.8 | | |

11. Fan Case(Sr/Nr 36002362 and after)



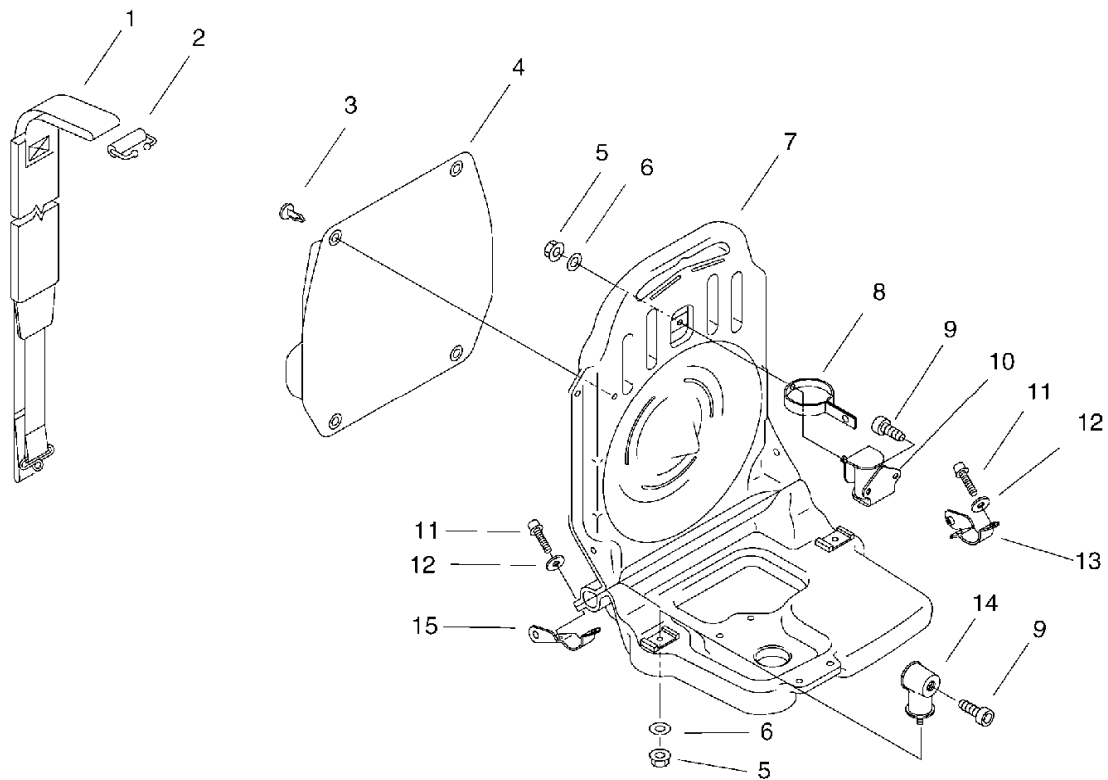
| KEY | LV | PART NUMBER | Q'TY | DESCRIPTION | REMARKS | NOTE1 | NOTE2 |
|-----|----|--------------|------|-----------------|-------------|---------------------|-------|
| 27 | | V420-000570 | 1 | CUSHION | | | |
| 28 | | 890160-06361 | 1 | LABEL, CAUTION | | Sus. by X505-002310 | |
| 28 | | X505-002310 | 1 | LABEL, CAUTION | HOT CAUTION | | |
| 29 | | 91145-05020 | 4 | BOLT HS TAPPING | 5*20 | | |
| 30 | | A190-000111 | 1 | COVER,ENGINE | | | |
| 31 | | X503-007440 | 1 | LABEL,MODEL | PB-755 EU | Sus. by X503-007441 | |
| 31 | | X503-007441 | 1 | LABEL,MODEL | PB-755 EU | | |

12. Harness(Sr/Nr 36001700 and before)



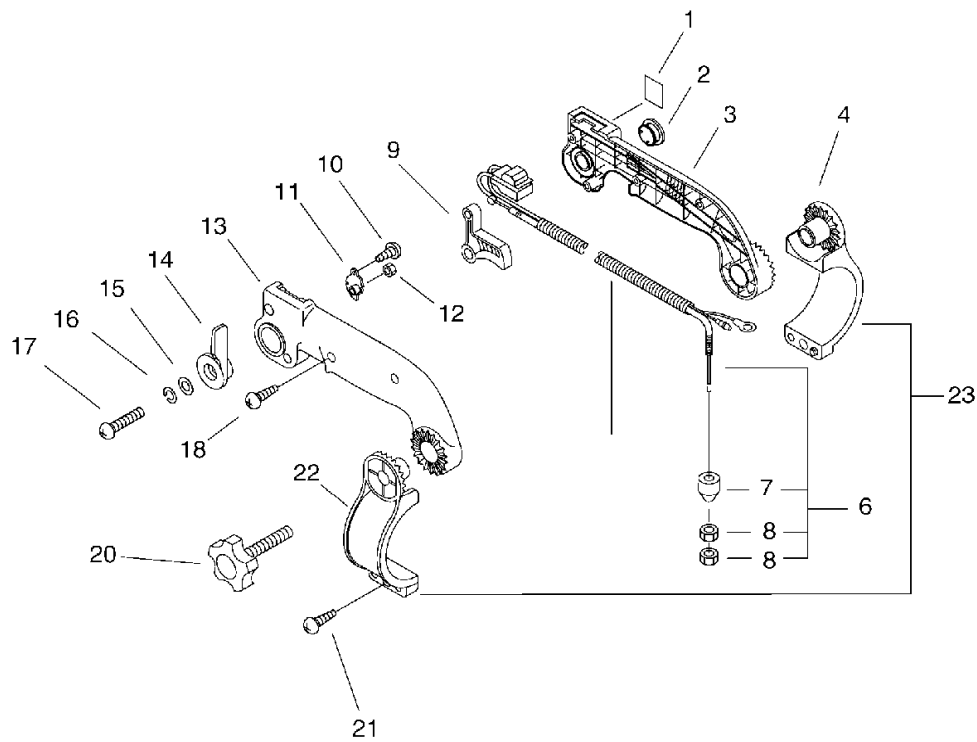
| KEY | LV | PART NUMBER | Q'TY | DESCRIPTION | REMARKS | NOTE1 | NOTE2 |
|-----|----|--------------|------|----------------------|-----------|---------------------|-------|
| 1 | | C061-000110 | 2 | HARNESS,ASM BACKPACK | | Sus. by C061-000111 | |
| 2 | | V491-000040 | 2 | CLIP | | | |
| 3 | | V491-000120 | 4 | CLIP | | | |
| 4 | | 300105-08261 | 1 | CUSHION, KNAPSACK | | | |
| 5 | | 900516-00005 | 3 | NUT, FRANGE 5 | 5 | | |
| 6 | | 613019-07350 | 3 | WASHER 5.5*16*2T | 5.5*16*2T | | |
| 7 | | C066-000003 | 1 | FRAME,ASM BACKPACK | | Sus. by C066-000004 | |
| 7 | | C066-000004 | 1 | FRAME,ASM BACKPACK | | | |
| 8 | | C617-000150 | 1 | STOPPER | | | |
| 9 | | 91145-05016 | 4 | BOLT HS TAPPING | 5*16 | | |
| 10 | | 100905-08261 | 1 | CUSHION | | | |
| 11 | | 900105-05020 | 4 | BOLT, H.S. 5*20 | 5*20 | | |
| 12 | | 613019-07350 | 4 | WASHER 5.5*16*2T | 5.5*16*2T | | |
| 13 | | C626-000010 | 1 | FIXTURE,HARNESS | | | |
| 14 | | V401-000070 | 2 | CUSHION,5 | | | |
| 15 | | C626-000030 | 1 | FIXTURE,HARNESS | | | |

13. Harness(Sr/Nr 36001701 and after)



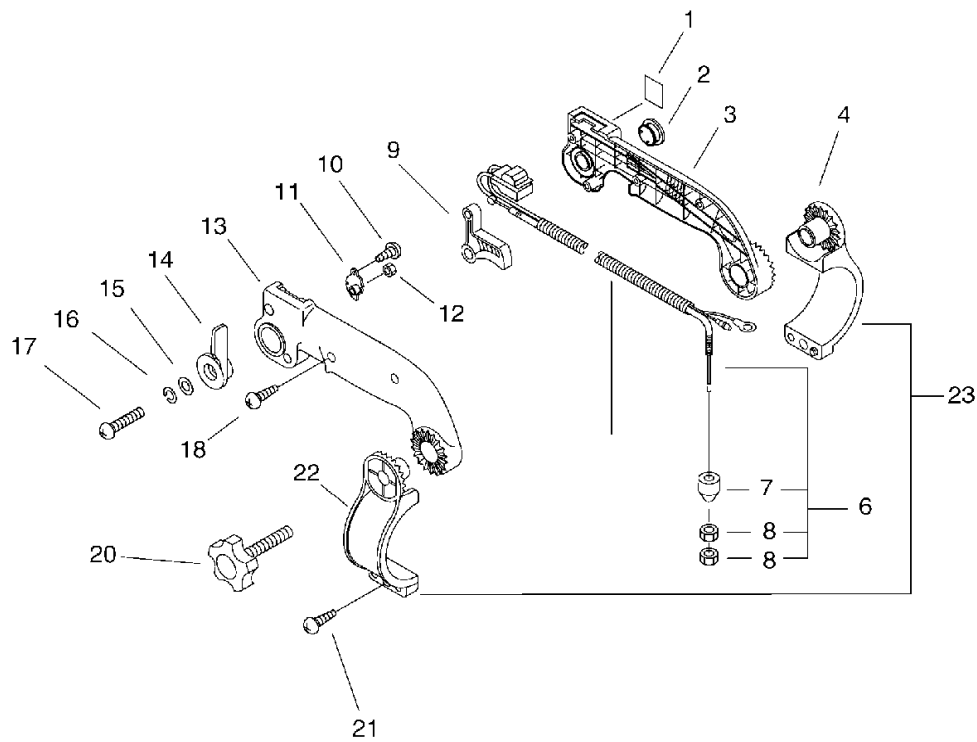
| KEY | LV | PART NUMBER | Q'TY | DESCRIPTION | REMARKS | NOTE1 | NOTE2 |
|-----|----|--------------|------|----------------------|-----------------|---------------------|-------|
| 1 | | C061-000110 | 2 | HARNESS,ASM BACKPACK | | Sus. by C061-000111 | |
| 2 | | V491-000040 | 2 | CLIP | | | |
| 3 | | V491-000120 | 4 | CLIP | | | |
| 4 | | 300105-08261 | 1 | CUSHION, KNAPSACK | | | |
| 5 | | 900516-00005 | 3 | NUT, FRANGE 5 | 5 | | |
| 6 | | 613019-07350 | 3 | WASHER 5.5*16*2T | 5.5*16*2T | | |
| 7 | | C066-000003 | 1 | FRAME,ASM BACKPACK | | Sus. by C066-000004 | |
| 7 | | C066-000004 | 1 | FRAME,ASM BACKPACK | | | |
| 8 | | C617-000150 | 1 | STOPPER | | | |
| 9 | | 91145-05016 | 4 | BOLT HS TAPPING | 5*16 | | |
| 10 | | 100905-08261 | 1 | CUSHION | | | |
| 11 | | 900105-05020 | 4 | BOLT, H.S. 5*20 | 5*20 | | |
| 12 | | 613019-07350 | 4 | WASHER 5.5*16*2T | 5.5*16*2T | | |
| 13 | | C626-000010 | 1 | FIXTURE,HARNESS | | | |
| 14 | | V401-000070 | 2 | CUSHION,5 | | | |
| 15 | | C626-000030 | 1 | FIXTURE,HARNESS | | | |
| 16 | | V491-000110 | 1 | CLIP | .308/.433 CABLE | | |

14. Throttle(Sr/Nr 36002361 and before)



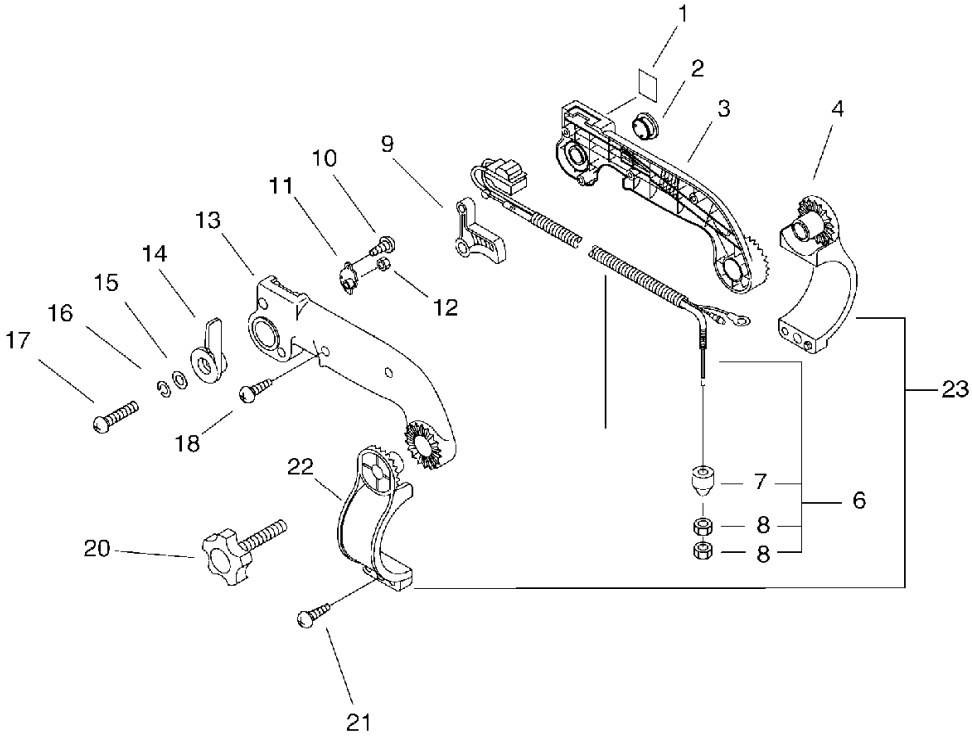
| KEY | LV | PART NUMBER | Q'TY | DESCRIPTION | REMARKS | NOTE1 | NOTE2 |
|-----|----|--------------|------|--------------------|-----------|-------|------------------------------|
| 1 | | 890157-06560 | 1 | LABEL, SWITCH | | | |
| 2 | | 351146-07560 | 1 | PLUG | | | |
| 3 | | 351311-07560 | 1 | HANDLE, FRONT | | | |
| 4 | | C405-000030 | 1 | BRACKET,HANDLE | | | Sr/Nr 36002361 and before |
| 5 | | 178021-08260 | 1 | NUT, THROTTLE ROD | | | |
| 6 | | V043-000080 | 1 | CABLE ASY, CONTROL | | | |
| 7 | + | V494-000080 | 1 | CAP | | | |
| 8 | + | 900503-00006 | 2 | NUT (3N 6*0.75) | 3N 6*0.75 | | |
| 9 | | 178010-07561 | 1 | CONTROL, THROTTLE | | | |
| 10 | | 900245-04010 | 1 | SCREW 4*10 | 4*10 | | |
| 11 | | 178123-07561 | 1 | BRACKET, THROTTLE | | | |
| 12 | | 900500-00006 | 1 | NUT 6 | 6 | | Sr/Nr 36002361 and before |
| 13 | | 351315-07560 | 1 | HANDLE, FRONT | | | |
| 14 | | 178054-07560 | 1 | CONTRTOL, THROTTLE | | | |
| 15 | | 900603-00006 | 1 | WASHER 6 | 6.5*13*1 | | |
| 16 | | 900605-00006 | 1 | WASHER, SPRING 6 | 6 | | |
| 17 | | 900235-06020 | 1 | SCREW 6*20 | 6*20 | | |
| 18 | | 900256-04022 | 4 | SCREW 4*22 | 4*22 | | |
| 19 | | 178516-07560 | 1 | WASHER 6 | | | |
| 20 | | 305812-08260 | 1 | KNOB, FASTENER | | | |
| 21 | | 900253-05020 | 1 | SCREW 5*20 | 5*20 | | |
| 22 | | C405-000020 | 1 | BRACKET,HANDLE | | | Sr/Nr 36002361 and before |

15. Throttle(Sr/Nr 36002362 and after)



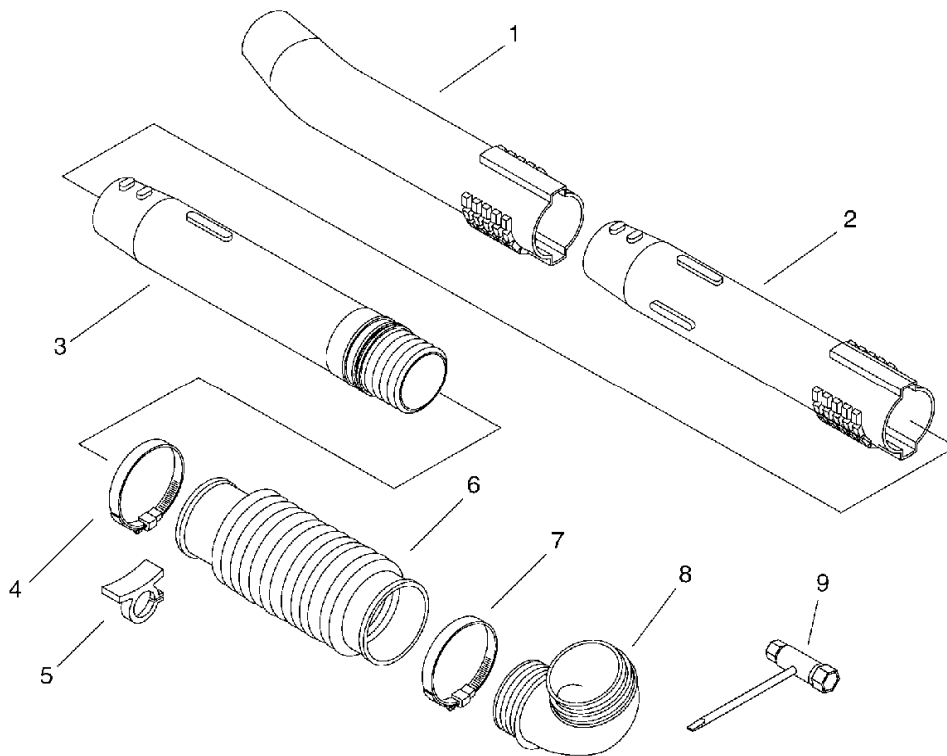
| KEY | LV | PART NUMBER | Q'TY | DESCRIPTION | REMARKS | NOTE1 | NOTE2 |
|-----|----|--------------|------|--------------------|------------|--------------------------|-------|
| 1 | | 890157-06560 | 1 | LABEL, SWITCH | | | |
| 2 | | 351146-07560 | 1 | PLUG | | | |
| 3 | | 351311-07560 | 1 | HANDLE, FRONT | | | |
| 5 | | 900500-00006 | 1 | NUT 6 | 6 | | |
| 6 | | V043-000080 | 1 | CABLE ASY, CONTROL | | Sus. by P021-015380 | |
| 7 | + | V494-000080 | 1 | CAP | | | |
| 8 | + | 900503-00006 | 2 | NUT (3N 6*0.75) | 3N 6*0.75 | | |
| 9 | | 178010-07561 | 1 | CONTROL, THROTTLE | | | |
| 10 | | 900245-04010 | 1 | SCREW 4*10 | 4*10 | | |
| 11 | | 178123-07561 | 1 | BRACKET, THROTTLE | | | |
| 12 | | 900500-00006 | 1 | NUT 6 | 6 | Sr/Nr 36002362 and after | |
| 13 | | 351315-07560 | 1 | HANDLE, FRONT | | | |
| 14 | | 178054-07560 | 1 | CONTRTOL, THROTTLE | | | |
| 15 | | 900603-00006 | 1 | WASHER 6 | 6.5*13*1 | | |
| 16 | | 900605-00006 | 1 | WASHER, SPRING 6 | 6 | | |
| 17 | | 900235-06020 | 1 | SCREW 6*20 | 6*20 | | |
| 18 | | 900256-04022 | 4 | SCREW 4*22 | 4*22 | | |
| 20 | | 305812-08260 | 1 | KNOB, FASTENER | | | |
| 21 | | 900253-05020 | 1 | SCREW 5*20 | 5*20 | | |
| 23 | | P021-013320 | 1 | BRACKET KIT,HANDLE | | Sr/Nr 36002362 and after | |
| 4 | + | C405-000240 | 1 | BRACKET,HANDLE | RIGHT SIDE | Sr/Nr 36002362 and after | |

15. Throttle(Sr/Nr 36002362 and after)



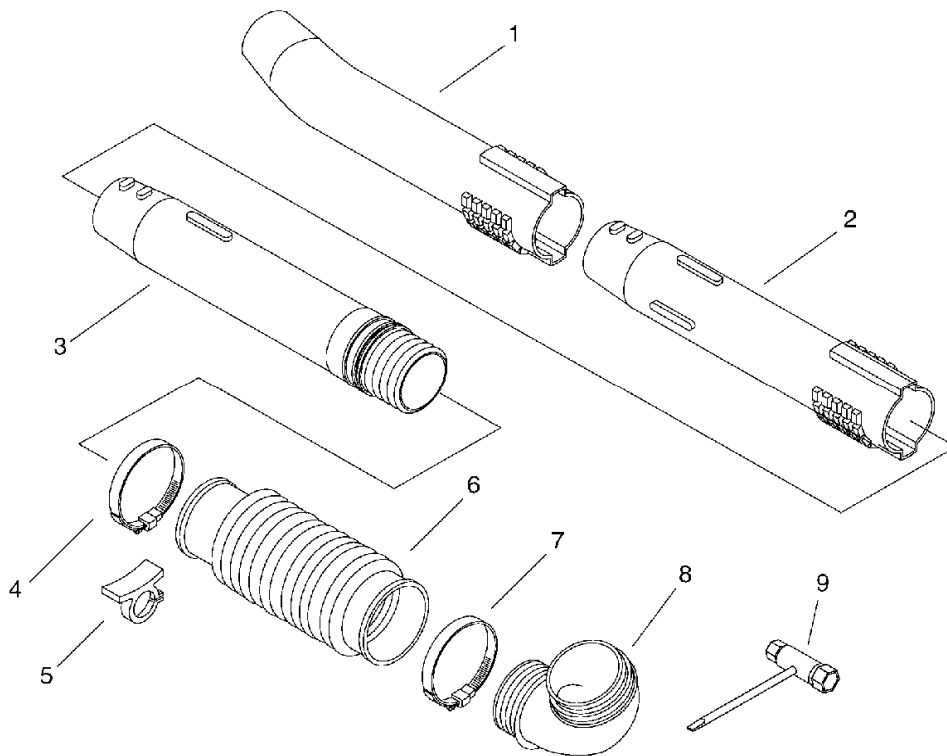
| KEY | LV | PART NUMBER | Q'TY | DESCRIPTION | REMARKS | NOTE1 | NOTE2 |
|-----|----|-------------|------|----------------|-----------|-----------------------------|-------|
| 22 | + | C405-000230 | 1 | BRACKET,HANDLE | LEFT SIDE | Sr/Nr 36002362 and after | |

16. Pipe, Tool(Sr/Nr 36001700 and before)



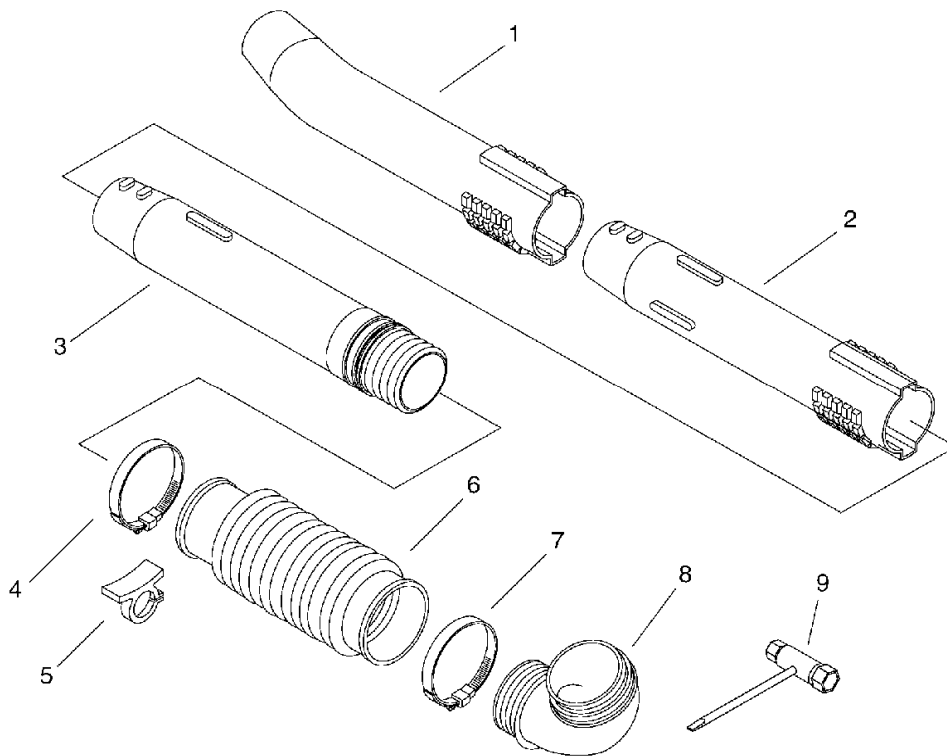
| KEY | LV | PART NUMBER | Q'TY | DESCRIPTION | REMARKS | NOTE1 | NOTE2 |
|-----|----|--------------|------|--------------------|-----------------|---------------------|-------|
| 1 | | E165-000160 | 1 | PIPE,BLOWER | 418MM*65/79MM | | |
| 2 | | E165-000140 | 1 | PIPE,BLOWER | 418MM*73/79MM | | |
| 3 | | E165-000130 | 1 | PIPE,BLOWER | 362MM*73/84MM | | |
| 4 | | V495-000430 | 1 | BAND | 58.7MM / 82.5MM | | |
| 5 | | V491-000190 | 1 | CLIP | THROTTLE CLIP | Sus. by V491-000191 | |
| 6 | | E164-000060 | 1 | PIPE,FLEXIBLE | ACT050324-A 9A | | |
| 7 | | V495-000440 | 1 | BAND | 77.8MM /101.6MM | | |
| 8 | | E160-000091 | 1 | PIPE,MAIN | | | |
| 9 | | 895410-39131 | 1 | WRENCH, W/S-DRIVER | | | |

17. Pipe, Tool(Sr/Nr 36001701 to 36002361)



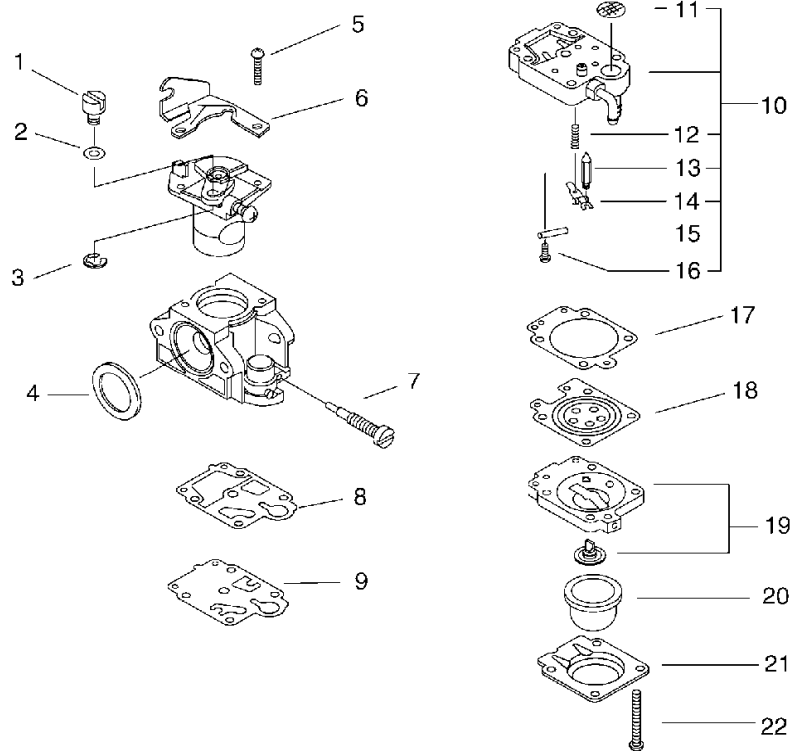
| KEY | LV | PART NUMBER | Q'TY | DESCRIPTION | REMARKS | NOTE1 | NOTE2 |
|-----|----|--------------|------|--------------------|-----------------|----------------------|-------|
| 1 | | E165-000160 | 1 | PIPE,BLOWER | 418MM*65/79MM | | |
| 2 | | E165-000140 | 1 | PIPE,BLOWER | 418MM*73/79MM | Sus. by E165--000141 | |
| 3 | | E165-000130 | 1 | PIPE,BLOWER | 362MM*73/84MM | | |
| 4 | | V495-000430 | 1 | BAND | 58.7MM / 82.5MM | | |
| 5 | | V491-000190 | 1 | CLIP | THROTTLE CLIP | Sus. by V491-000191 | |
| 6 | | E164-000060 | 1 | PIPE,FLEXIBLE | ACT050324-A 9A | | |
| 7 | | V495-000440 | 1 | BAND | 77.8MM /101.6MM | | |
| 8 | | E160-000091 | 1 | PIPE,MAIN | | | |
| 9 | | 895410-39131 | 1 | WRENCH, W/S-DRIVER | | | |

18. Pipe, Tool(Sr/Nr 36002362 and after)



| KEY | LV | PART NUMBER | Q'TY | DESCRIPTION | REMARKS | NOTE1 | NOTE2 |
|-----|----|--------------|------|--------------------|-----------------|---------------------|-------|
| 1 | | E165-000160 | 1 | PIPE,BLOWER | 418MM*65/79MM | | |
| 2 | | E165-000140 | 1 | PIPE,BLOWER | 418MM*73/79MM | | |
| 3 | | E165-000130 | 1 | PIPE,BLOWER | 362MM*73/84MM | | |
| 4 | | V495-000430 | 1 | BAND | 58.7MM / 82.5MM | | |
| 5 | | V491-000190 | 1 | CLIP | THROTTLE CLIP | Sus. by V491-000191 | |
| 5 | | V491-000191 | 1 | CLIP | | | |
| 6 | | E164-000060 | 1 | PIPE,FLEXIBLE | ACT050324-A 9A | | |
| 7 | | V495-000440 | 1 | BAND | 77.8MM /101.6MM | | |
| 8 | | E160-000091 | 1 | PIPE,MAIN | | | |
| 9 | | 895410-39131 | 1 | WRENCH, W/S-DRIVER | | | |

19. Carburetor



| KEY | LV | PART NUMBER | Q'TY | DESCRIPTION | REMARKS | NOTE1 | NOTE2 |
|-----|----|--------------|------|----------------------|---------|-------|-------|
| | | A021-000810 | 1 | CARBURETOR,DIAPHRAGM | WYK-192 | | |
| 1 | + | 123172-45130 | 1 | SWIVEL | | | |
| 2 | + | 123149-54230 | 1 | WASHER | | | |
| 3 | + | 123173-07930 | 1 | CLIP | | | |
| 4 | + | 123143-12110 | 1 | RING, PACKING | | | |
| 5 | + | 123114-40630 | 2 | SCREW | | | |
| 6 | + | P003-000180 | 1 | BRACKET CABLE | | | |
| 7 | + | P003-001130 | 1 | NEEDLE, HIGH SPEED | | | |
| 8 | + | 123125-40630 | 1 | GASKET, PUMP | | | |
| 9 | + | 123112-40630 | 1 | DIAPHRAGM, PUMP | | | |
| 10 | + | P003-000630 | 1 | BODY ASSEMBLY, PUMP | | | |
| 11 | ++ | 123126-10631 | 1 | SCREEN, INLET | | | |
| 12 | ++ | 123122-05560 | 1 | SPRING, METER. LEVER | | | |
| 13 | ++ | 123137-19830 | 1 | VALVE, INLET NEEDLE | | | |
| 14 | ++ | 123123-03930 | 1 | LEVER, METERING | | | |
| 15 | ++ | 123138-03930 | 1 | PIN, METERING LEVER | | | |
| 16 | ++ | 123139-05560 | 1 | SCREW, M. LEVER PIN | | | |
| 17 | + | 123140-05560 | 1 | GASKET, M. DIAPHRAGM | | | |
| 18 | + | P003-000090 | 1 | METERING, DIAPHRAGM | | | |
| 19 | + | 123180-05560 | 1 | BODY, AIR PURGE | | | |
| 20 | + | 123181-40630 | 1 | PUMP, PRIMER | | | |
| 21 | + | 123142-05560 | 1 | COVER, PRIMER PUMP | | | |
| 22 | + | 123110-05560 | 4 | SCREW, PUMP COVER | | | |

20. Repair Kit

| KEY | LV | PART NUMBER | Q'TY | DESCRIPTION | REMARKS | NOTE1 | NOTE2 |
|------|----|--------------|------|----------------------|---------|-------|-------|
| | | P003-000650 | 1 | GASKET/DIAPHRAGM KIT | D21-WYK | | |
| 9-4 | + | 123143-12110 | 1 | RING, PACKING | | | |
| 9-8 | + | 123125-40630 | 1 | GASKET, PUMP | | | |
| 9-9 | + | 123112-40630 | 1 | DIAPHRAGM, PUMP | | | |
| 9-17 | + | 123140-05560 | 1 | GASKET, M. DIAPHRAGM | | | |
| | + | 123183-54230 | 1 | O-RING | | | |
| | + | 123183-12110 | 1 | O-RING | | | |
| | + | 123143-12210 | 1 | RING, PACKING | | | |
| | + | 123183-05960 | 1 | O-RING | | | |
| | + | 123140-02960 | 1 | GASKET, M. DIAPHRAGM | | | |
| | + | 123159-40630 | 1 | GASKET, PLATE | | | |
| | + | 123141-03930 | 1 | DIAPHRAGM, METERING | | | |
| | | P003-000660 | 1 | REPAIR KIT | K21-WYK | | |
| 9-4 | + | 123143-12110 | 1 | RING, PACKING | | | |
| 9-8 | + | 123125-40630 | 1 | GASKET, PUMP | | | |
| 9-9 | + | 123112-40630 | 1 | DIAPHRAGM, PUMP | | | |
| 9-11 | + | 123126-10631 | 1 | SCREEN, INLET | | | |
| 9-13 | + | 123137-19830 | 1 | VALVE, INLET NEEDLE | | | |
| 9-14 | + | 123123-03930 | 1 | LEVER, METERING | | | |
| 9-15 | + | 123138-03930 | 1 | PIN, METERING LEVER | | | |
| 9-17 | + | 123140-05560 | 1 | GASKET, M. DIAPHRAGM | | | |
| | + | 123183-54230 | 1 | O-RING | | | |
| | + | 123183-12110 | 1 | O-RING | | | |
| | + | 123143-12210 | 1 | RING, PACKING | | | |
| | + | 123183-05960 | 1 | O-RING | | | |
| | + | 123140-02960 | 1 | GASKET, M. DIAPHRAGM | | | |

20. Repair Kit

| KEY | LV | PART NUMBER | Q'TY | DESCRIPTION | REMARKS | NOTE1 | NOTE2 |
|------|----|--------------|------|---------------------|---------|-------|-------|
| | + | 123159-40630 | 1 | GASKET, PLATE | | | |
| | + | 123141-03930 | 1 | DIAPHRAGM, METERING | | | |
| | | P021-005932 | 1 | GASKET KIT | | | |
| 1-1 | + | V104-000720 | 1 | GASKET,EXHAUST | | | |
| 1-4 | + | V100-000100 | 1 | GASKET,CYL | | | |
| 1-19 | + | V102-000010 | 1 | GASKET,CRANKCASE | | | |
| 3-16 | + | V103-000080 | 1 | GASKET,INTAKE | | | |
| 3-18 | + | V103-000140 | 1 | GASKET,INTAKE | | | |
| 3-21 | + | V103-000130 | 1 | GASKET,INTAKE | | | |

Index

| Patrs Number | Key No. | Patrs Number | Key No. | Patrs Number | Key No. |
|---------------------|----------------|---------------------|----------------|---------------------|----------------|
| 100015-00120 | 1 - 11 | 123183-12110 | 20 - | 178111-22330 | 11 - 24 |
| 100015-00120 | 2 - 11 | 123183-12110 | 20 - | 178111-22330 | 9 - 24 |
| 100215-03930 | 1 - 21 | 123183-54230 | 20 - | 178123-07561 | 14 - 11 |
| 100215-03930 | 2 - 21 | 123183-54230 | 20 - | 178123-07561 | 15 - 11 |
| 100905-08261 | 12 - 10 | 130305-08361 | 6 - 4 | 178516-07560 | 14 - 19 |
| 100905-08261 | 13 - 10 | 130305-08361 | 7 - 4 | 300105-08261 | 12 - 4 |
| 104915-08260 | 10 - 4 | 130341-08260 | 6 - 3 | 300105-08261 | 13 - 4 |
| 104915-08260 | 11 - 4 | 130341-08260 | 7 - 3 | 305812-08260 | 14 - 20 |
| 104915-08260 | 9 - 4 | 131004-55530 | 8 - 1 | 305812-08260 | 15 - 20 |
| 123110-05560 | 19 - 22 | 131016-55830 | 8 - 2 | 351146-07560 | 14 - 2 |
| 123112-40630 | 19 - 9 | 131032-08360 | 6 - 6 | 351146-07560 | 15 - 2 |
| 123112-40630 | 20 - 9-9 | 131032-08360 | 7 - 6 | 351311-07560 | 14 - 3 |
| 123112-40630 | 20 - 9-9 | 131051-56030 | 8 - 3 | 351311-07560 | 15 - 3 |
| 123114-40630 | 19 - 5 | 131205-19830 | 8 - 10 | 351315-07560 | 14 - 13 |
| 123122-05560 | 19 - 12 | 131328-40630 | 8 - 13 | 351315-07560 | 15 - 13 |
| 123123-03930 | 19 - 14 | 132010-35430 | 8 - 11 | 613019-07350 | 10 - 7 |
| 123123-03930 | 20 - 9-14 | 132013-26630 | 8 - 9 | 613019-07350 | 11 - 7 |
| 123125-40630 | 19 - 8 | 132115-55930 | 8 - 8 | 613019-07350 | 12 - 6 |
| 123125-40630 | 20 - 9-8 | 145642-06230 | 10 - 13 | 613019-07350 | 12 - 12 |
| 123125-40630 | 20 - 9-8 | 145642-06230 | 11 - 13 | 613019-07350 | 13 - 6 |
| 123126-10631 | 19 - 11 | 145642-06230 | 9 - 13 | 613019-07350 | 13 - 12 |
| 123126-10631 | 20 - 9-11 | 151112-04630 | 1 - 23 | 613019-07350 | 9 - 7 |
| 123137-19830 | 19 - 13 | 151112-04630 | 2 - 23 | 890118-17930 | 3 - 29 |
| 123137-19830 | 20 - 9-13 | 156111-06160 | 3 - 8 | 890118-17930 | 4 - 29 |
| 123138-03930 | 19 - 15 | 156111-06160 | 4 - 8 | 890118-17930 | 5 - 29 |
| 123138-03930 | 20 - 9-15 | 156111-06160 | 5 - 8 | 890157-06560 | 14 - 1 |
| 123139-05560 | 19 - 16 | 159011-03432 | 3 - 10 | 890157-06560 | 15 - 1 |
| 123140-02960 | 20 - | 159011-03432 | 4 - 10 | 890160-06361 | 10 - 28 |
| 123140-02960 | 20 - | 159011-03432 | 5 - 10 | 890160-06361 | 11 - 28 |
| 123140-05560 | 19 - 17 | 159012-03433 | 3 - 9 | 890160-06361 | 9 - 28 |
| 123140-05560 | 20 - 9-17 | 159012-03433 | 4 - 9 | 890160-09461 | 10 - 20 |
| 123140-05560 | 20 - 9-17 | 159012-03433 | 5 - 9 | 890160-09461 | 11 - 20 |
| 123141-03930 | 20 - | 159129-08260 | 1 - 24 | 890160-09461 | 9 - 20 |
| 123141-03930 | 20 - | 159129-08260 | 2 - 24 | 890332-52730 | 6 - 15 |
| 123142-05560 | 19 - 21 | 177227-42030 | 3 - 25 | 890332-52730 | 7 - 15 |
| 123143-12110 | 19 - 4 | 177227-42030 | 4 - 25 | 895410-39131 | 16 - 9 |
| 123143-12110 | 20 - 9-4 | 177227-42030 | 5 - 25 | 895410-39131 | 17 - 9 |
| 123143-12110 | 20 - 9-4 | 177228-11620 | 3 - 26 | 895410-39131 | 18 - 9 |
| 123143-12210 | 20 - | 177228-11620 | 4 - 26 | 900105-05020 | 12 - 11 |
| 123143-12210 | 20 - | 177228-11620 | 5 - 26 | 900105-05020 | 13 - 11 |
| 123149-54230 | 19 - 2 | 177236-61830 | 3 - 17 | 900105-05055 | 6 - 13 |
| 123159-40630 | 20 - | 177236-61830 | 4 - 17 | 900105-05055 | 7 - 13 |
| 123159-40630 | 20 - | 177236-61830 | 5 - 17 | 900105-05060 | 10 - 19 |
| 123172-45130 | 19 - 1 | 178010-07561 | 14 - 9 | 900105-05060 | 11 - 19 |
| 123173-07930 | 19 - 3 | 178010-07561 | 15 - 9 | 900105-05060 | 9 - 19 |
| 123180-05560 | 19 - 19 | 178021-08260 | 14 - 5 | 900105-06035 | 10 - 12 |
| 123181-40630 | 19 - 20 | 178054-07560 | 14 - 14 | 900105-06035 | 11 - 12 |
| 123183-05960 | 20 - | 178054-07560 | 15 - 14 | 900105-06035 | 9 - 12 |
| 123183-05960 | 20 - | 178111-22330 | 10 - 24 | 900106-05008 | 1 - 5 |

Index

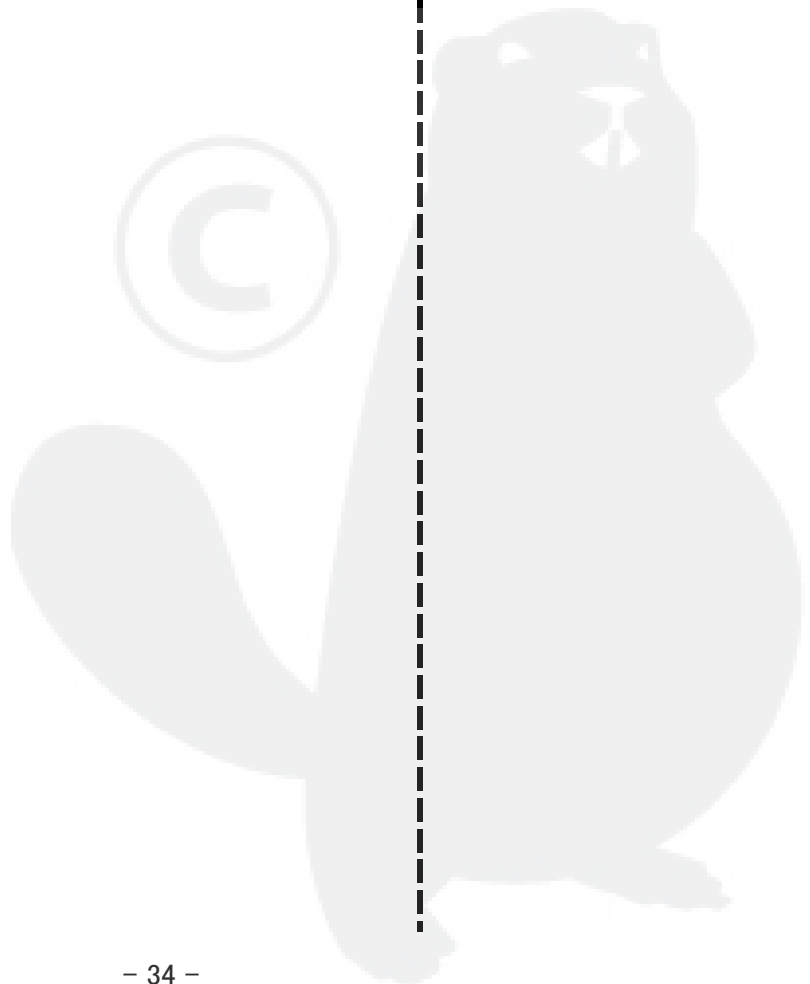
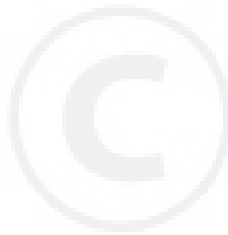
| Patrs Number | Key No. | Patrs Number | Key No. | Patrs Number | Key No. |
|---------------------|----------------|---------------------|----------------|---------------------|----------------|
| 900106-05008 | 2 - 5 | 900500-00006 | 15 - 12 | A011-000140 | 1 - 14 |
| 900106-05014 | 3 - 28 | 900501-00010 | 3 - 1 | A011-000140 | 2 - 14 |
| 900106-05014 | 3 - 35 | 900501-00010 | 4 - 1 | A021-000810 | 19 - |
| 900106-05014 | 4 - 28 | 900501-00010 | 5 - 1 | A021-000810 | 6 - 17 |
| 900106-05014 | 4 - 35 | 900503-00006 | 14 - 8 | A021-000810 | 7 - 17 |
| 900106-05014 | 5 - 28 | 900503-00006 | 15 - 8 | A051-000841 | 3 - 16 |
| 900106-05014 | 5 - 35 | 900516-00005 | 10 - 8 | A051-000841 | 4 - 16 |
| 900106-05016 | 8 - 5 | 900516-00005 | 11 - 8 | A051-000841 | 5 - 16 |
| 900106-05020 | 10 - 5 | 900516-00005 | 12 - 5 | A052-000042 | 3 - 12 |
| 900106-05020 | 11 - 5 | 900516-00005 | 13 - 5 | A052-000042 | 4 - 12 |
| 900106-05020 | 9 - 5 | 900516-00005 | 9 - 8 | A052-000042 | 5 - 12 |
| 900106-05025 | 6 - 19 | 900562-50005 | 10 - 2 | A101-000020 | 1 - 9 |
| 900106-05025 | 7 - 19 | 900562-50005 | 11 - 2 | A101-000020 | 2 - 9 |
| 900106-05035 | 6 - 7 | 900562-50005 | 9 - 2 | A101-000030 | 1 - 8 |
| 900106-05035 | 7 - 7 | 900602-00010 | 3 - 3 | A101-000030 | 2 - 8 |
| 900162-05018 | 1 - 25 | 900602-00010 | 4 - 3 | A130-000510 | 1 - 3 |
| 900162-05018 | 2 - 25 | 900602-00010 | 5 - 3 | A130-000510 | 2 - 3 |
| 900162-05022 | 2 - 25 | 900603-00005 | 10 - 26 | A130-000511 | 2 - 3 |
| 900162-05022 | 3 - 5 | 900603-00005 | 11 - 26 | A160-000340 | 1 - 6 |
| 900162-05022 | 4 - 5 | 900603-00005 | 9 - 26 | A160-000340 | 2 - 6 |
| 900162-05022 | 5 - 5 | 900603-00006 | 14 - 15 | A190-000111 | 10 - 30 |
| 900162-05025 | 1 - 2 | 900603-00006 | 15 - 15 | A190-000111 | 11 - 30 |
| 900162-05025 | 2 - 2 | 900605-00006 | 14 - 16 | A190-000111 | 9 - 30 |
| 900162-05035 | 1 - 17 | 900605-00006 | 15 - 16 | A200-000070 | 6 - 20 |
| 900162-05035 | 2 - 17 | 900605-00010 | 3 - 2 | A200-000070 | 7 - 20 |
| 900162-06035 | 1 - 22 | 900605-00010 | 4 - 2 | A232-000170 | 6 - 1 |
| 900162-06035 | 2 - 22 | 900605-00010 | 5 - 2 | A232-000170 | 7 - 1 |
| 900235-06020 | 14 - 17 | 91107-06020 | 3 - 30 | A239-000010 | 6 - 9 |
| 900235-06020 | 15 - 17 | 91107-06020 | 4 - 30 | A239-000010 | 7 - 9 |
| 900238-05025 | 6 - 11 | 91107-06020 | 5 - 30 | A244-000060 | 6 - 12 |
| 900238-05025 | 7 - 11 | 91145-05016 | 10 - 25 | A244-000060 | 7 - 12 |
| 900245-04010 | 14 - 10 | 91145-05016 | 11 - 25 | A310-000000 | 3 - 34 |
| 900245-04010 | 15 - 10 | 91145-05016 | 12 - 9 | A310-000000 | 4 - 34 |
| 900246-05014 | 10 - 17 | 91145-05016 | 13 - 9 | A310-000000 | 5 - 34 |
| 900246-05014 | 11 - 17 | 91145-05016 | 9 - 25 | A313-000310 | 3 - 32 |
| 900246-05014 | 9 - 17 | 91145-05020 | 10 - 6 | A313-000310 | 4 - 32 |
| 900253-05010 | 10 - 21 | 91145-05020 | 10 - 10 | A313-000310 | 5 - 32 |
| 900253-05010 | 11 - 21 | 91145-05020 | 10 - 29 | A322-000020 | 10 - 23 |
| 900253-05010 | 9 - 21 | 91145-05020 | 11 - 6 | A322-000020 | 11 - 23 |
| 900253-05020 | 14 - 21 | 91145-05020 | 11 - 10 | A322-000020 | 9 - 23 |
| 900253-05020 | 15 - 21 | 91145-05020 | 11 - 29 | A350-000151 | 8 - 4 |
| 900256-04022 | 14 - 18 | 91145-05020 | 9 - 6 | A356-000030 | 8 - 12 |
| 900256-04022 | 15 - 18 | 91145-05020 | 9 - 10 | A392-000000 | 8 - 6 |
| 900323-03014 | 1 - 15 | 91145-05020 | 9 - 29 | A409-000250 | 3 - 4 |
| 900323-03014 | 2 - 15 | 91367-04010 | 3 - 33 | A409-000250 | 4 - 4 |
| 900345-30025 | 6 - 2 | 91367-04010 | 4 - 33 | A409-000250 | 5 - 4 |
| 900345-30025 | 7 - 2 | 91367-04010 | 5 - 33 | A415-000000 | 3 - 6 |
| 900500-00006 | 14 - 12 | 94032-36302 | 1 - 20 | A415-000000 | 4 - 6 |
| 900500-00006 | 15 - 5 | 94032-36302 | 2 - 20 | A415-000000 | 5 - 6 |

Index

| Patrs Number | Key No. | Patrs Number | Key No. | Patrs Number | Key No. |
|---------------------|----------------|---------------------|----------------|---------------------|----------------|
| A425-000000 | 3 - 11 | E165-000130 | 16 - 3 | P022-010240 | 4 - 21 |
| A425-000000 | 4 - 11 | E165-000130 | 17 - 3 | P022-010240 | 5 - 21 |
| A425-000000 | 5 - 11 | E165-000130 | 18 - 3 | P022-010250 | 3 - 18 |
| C061-000110 | 12 - 1 | E165-000140 | 16 - 2 | P022-010250 | 4 - 18 |
| C061-000110 | 13 - 1 | E165-000140 | 17 - 2 | P022-010250 | 5 - 18 |
| C066-000003 | 12 - 7 | E165-000140 | 18 - 2 | P022-010260 | 3 - 27 |
| C066-000003 | 13 - 7 | E165-000160 | 16 - 1 | P022-010260 | 4 - 27 |
| C066-000004 | 12 - 7 | E165-000160 | 17 - 1 | P022-010260 | 5 - 27 |
| C066-000004 | 13 - 7 | E165-000160 | 18 - 1 | P022-010270 | 3 - 24 |
| C405-000020 | 14 - 22 | P003-000090 | 19 - 18 | P022-010270 | 4 - 24 |
| C405-000030 | 14 - 4 | P003-000180 | 19 - 6 | P022-010270 | 5 - 24 |
| C405-000230 | 15 - 22 | P003-000630 | 19 - 10 | P022-010280 | 3 - 22 |
| C405-000240 | 15 - 4 | P003-000650 | 20 - | P022-010280 | 4 - 22 |
| C617-000150 | 12 - 8 | P003-000660 | 20 - | P022-010280 | 5 - 22 |
| C617-000150 | 13 - 8 | P003-001130 | 19 - 7 | V043-000080 | 14 - 6 |
| C626-000010 | 12 - 13 | P021-002982 | 1 - 7 | V043-000080 | 15 - 6 |
| C626-000010 | 13 - 13 | P021-002982 | 2 - 7 | V100-000100 | 1 - 4 |
| C626-000030 | 12 - 15 | P021-002991 | 1 - 16 | V100-000100 | 20 - 1-4 |
| C626-000030 | 13 - 15 | P021-002991 | 2 - 16 | V100-000100 | 2 - 4 |
| C632-000042 | 10 - 15 | P021-005690 | 6 - 14 | V102-000010 | 1 - 19 |
| C632-000042 | 11 - 15 | P021-005690 | 7 - 14 | V102-000010 | 20 - 1-19 |
| C632-000042 | 9 - 15 | P021-005701 | 6 - 5 | V102-000010 | 2 - 19 |
| C632-000052 | 10 - 16 | P021-005701 | 7 - 5 | V103-000080 | 20 - 3-16 |
| C632-000052 | 11 - 16 | P021-005932 | 20 - | V103-000080 | 6 - 16 |
| C632-000052 | 9 - 16 | P021-008210 | 3 - 31 | V103-000080 | 7 - 16 |
| E100-000041 | 10 - 14 | P021-008210 | 4 - 31 | V103-000130 | 20 - 3-21 |
| E100-000041 | 11 - 14 | P021-008210 | 5 - 31 | V103-000130 | 6 - 21 |
| E100-000041 | 9 - 14 | P021-013320 | 15 - 23 | V103-000130 | 7 - 21 |
| E103-000341 | 10 - 18 | P021-043140 | 6 - 10 | V103-000140 | 20 - 3-18 |
| E103-000341 | 11 - 18 | P021-043140 | 7 - 10 | V103-000140 | 6 - 18 |
| E103-000341 | 9 - 18 | P022-002100 | 3 - 13 | V103-000140 | 7 - 18 |
| E103-000350 | 10 - 11 | P022-002100 | 4 - 13 | V104-000720 | 1 - 1 |
| E103-000350 | 11 - 11 | P022-002100 | 5 - 13 | V104-000720 | 20 - 1-1 |
| E103-000350 | 9 - 11 | P022-003120 | 3 - 15 | V104-000720 | 2 - 1 |
| E104-000041 | 10 - 1 | P022-003120 | 4 - 15 | V152-000770 | 10 - 22 |
| E104-000041 | 11 - 1 | P022-003120 | 5 - 15 | V152-000770 | 11 - 22 |
| E104-000041 | 9 - 1 | P022-003130 | 3 - 14 | V152-000770 | 9 - 22 |
| E104-000051 | 10 - 3 | P022-003130 | 4 - 14 | V186-000080 | 8 - 15 |
| E104-000051 | 11 - 3 | P022-003130 | 5 - 14 | V253-000170 | 4 - 28 |
| E104-000051 | 9 - 3 | P022-004680 | 3 - 23 | V253-000170 | 4 - 35 |
| E109-000010 | 10 - 9 | P022-004680 | 4 - 23 | V253-000170 | 5 - 28 |
| E109-000010 | 11 - 9 | P022-004680 | 5 - 23 | V253-000170 | 5 - 35 |
| E109-000010 | 9 - 9 | P022-010220 | 3 - 19 | V307-000060 | 1 - 13 |
| E160-000091 | 16 - 8 | P022-010220 | 4 - 19 | V307-000060 | 2 - 13 |
| E160-000091 | 17 - 8 | P022-010220 | 5 - 19 | V401-000070 | 12 - 14 |
| E160-000091 | 18 - 8 | P022-010231 | 3 - 20 | V401-000070 | 13 - 14 |
| E164-000060 | 16 - 6 | P022-010231 | 4 - 20 | V420-000570 | 10 - 27 |
| E164-000060 | 17 - 6 | P022-010231 | 5 - 20 | V420-000570 | 11 - 27 |
| E164-000060 | 18 - 6 | P022-010240 | 3 - 21 | V420-000570 | 9 - 27 |

Index

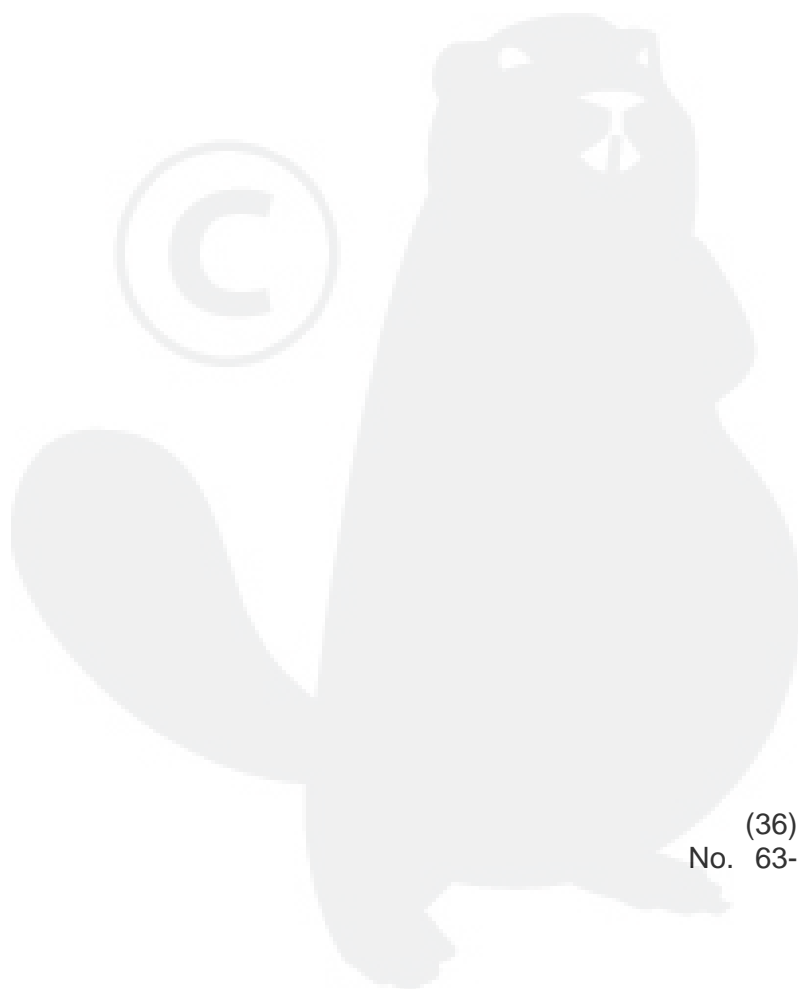
| Patrs Number | Key No. | Patrs Number | Key No. | Patrs Number | Key No. |
|---------------------|----------------|---------------------|----------------|---------------------|----------------|
| V471-000550 | 8 - 7 | | | | |
| V471-000610 | 8 - 14 | | | | |
| V485-000190 | 3 - 7 | | | | |
| V485-000190 | 4 - 7 | | | | |
| V485-000190 | 5 - 7 | | | | |
| V491-000040 | 12 - 2 | | | | |
| V491-000040 | 13 - 2 | | | | |
| V491-000110 | 13 - 16 | | | | |
| V491-000120 | 12 - 3 | | | | |
| V491-000120 | 13 - 3 | | | | |
| V491-000190 | 16 - 5 | | | | |
| V491-000190 | 17 - 5 | | | | |
| V491-000190 | 18 - 5 | | | | |
| V491-000191 | 18 - 5 | | | | |
| V491-000220 | 7 - 22 | | | | |
| V494-000080 | 14 - 7 | | | | |
| V494-000080 | 15 - 7 | | | | |
| V495-000430 | 16 - 4 | | | | |
| V495-000430 | 17 - 4 | | | | |
| V495-000430 | 18 - 4 | | | | |
| V495-000440 | 16 - 7 | | | | |
| V495-000440 | 17 - 7 | | | | |
| V495-000440 | 18 - 7 | | | | |
| V495-000590 | 6 - 8 | | | | |
| V495-000590 | 7 - 8 | | | | |
| V508-000010 | 1 - 18 | | | | |
| V508-000010 | 2 - 18 | | | | |
| V555-000010 | 1 - 12 | | | | |
| V555-000010 | 2 - 12 | | | | |
| V608-000010 | 1 - 10 | | | | |
| V608-000010 | 2 - 10 | | | | |
| X502-000460 | 5 - 29 | | | | |
| X503-007440 | 10 - 31 | | | | |
| X503-007440 | 11 - 31 | | | | |
| X503-007440 | 9 - 31 | | | | |
| X503-007441 | 11 - 31 | | | | |
| X505-002310 | 11 - 28 | | | | |



YAMABIKO CORPORATION

7-2 SUEHIROCHO 1-CHOME, OHME, TOKYO 198-8760, JAPAN
PHONE: 81-428-32-6118. FAX: 81-428-32-6145.

ECHO®



(36)
No. 63-088