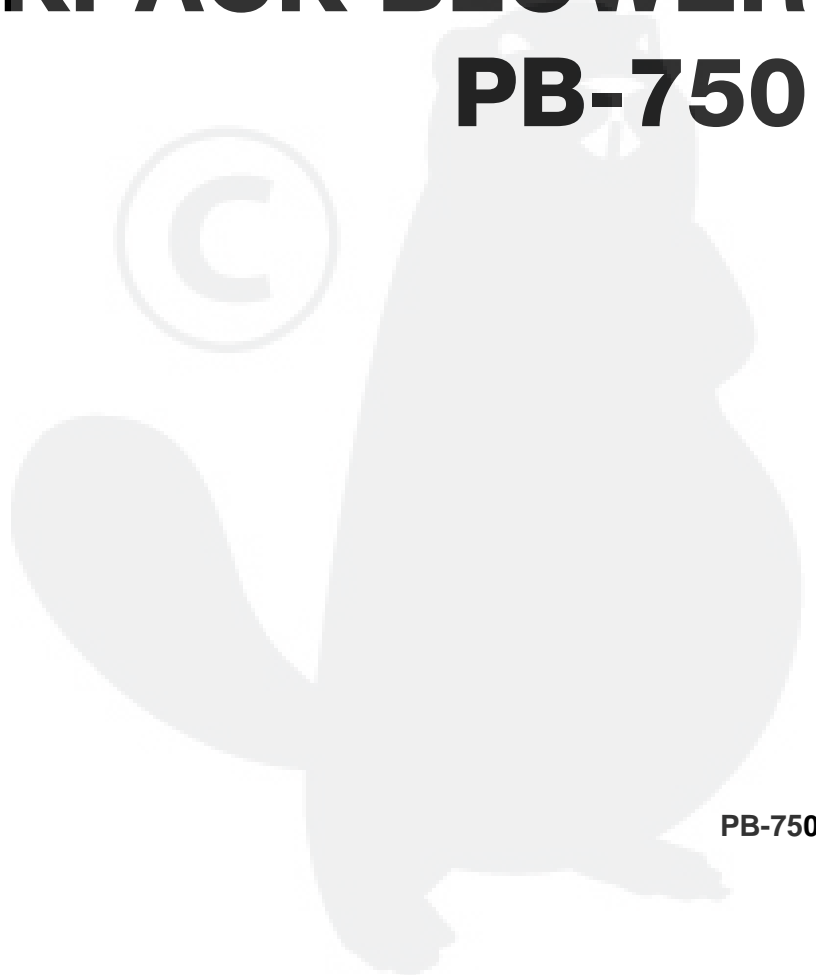
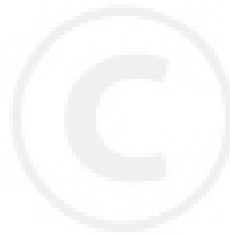




# **PARTS CATALOG**

## **BACKPACK BLOWER**

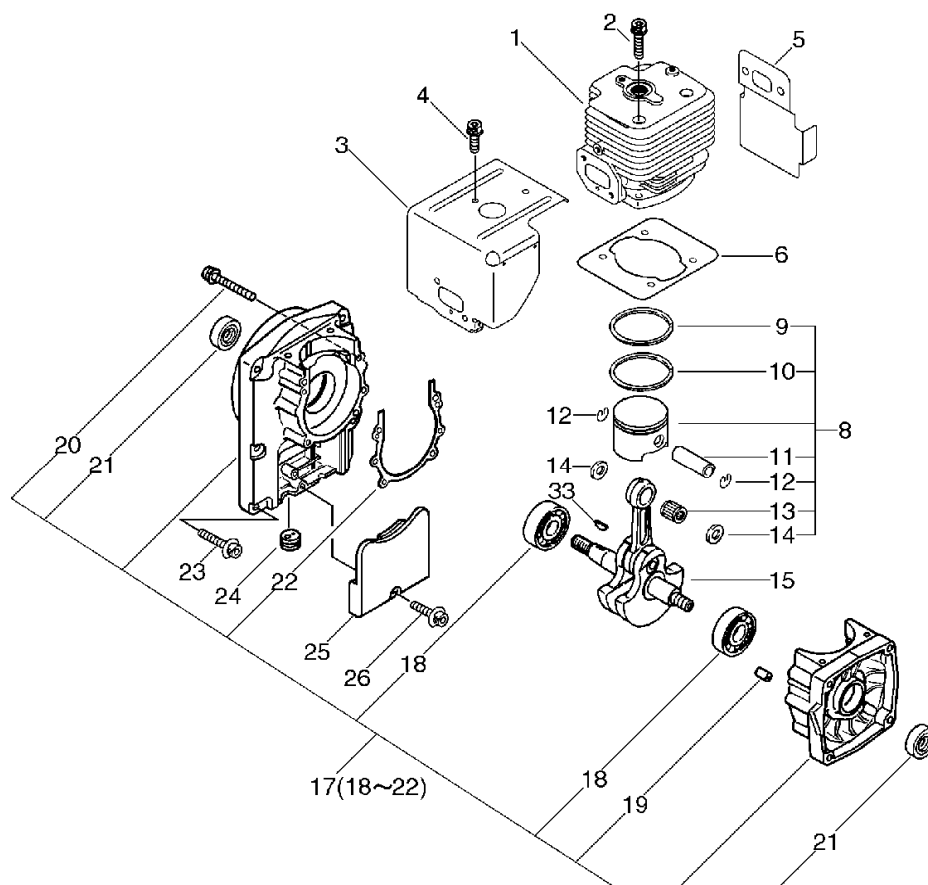
**PB-750**



PB-750

# 1. Cylinder, Crankcase, Piston

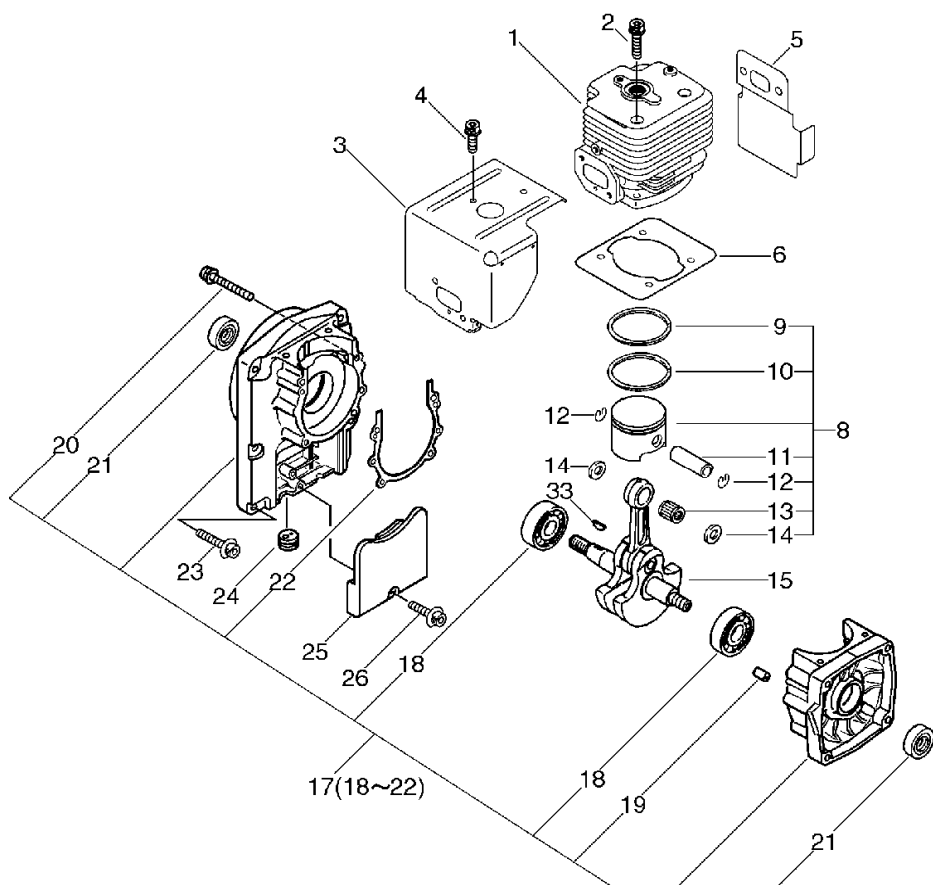
No.1



KEY	LV	PART NUMBER	Q'TY	DESCRIPTION	REMARKS	NOTE1	NOTE2
1		A130-000251	1	CYLINDER			
2		900162-05022	4	BOLT, H.S. 5*22	5*22 W,SW	Sus. by 900162-05025	
2		900162-05025	4	BOLT, H.S. 5*25	5*25 W,SW		
3		A160-000340	1	COVER,CYLINDER			
4		900106-05008	2	BOLT, H.S. 5* 8	5*8		
5		V104-000250	1	GASKET,EXHAUST		Sus. by V104-000720	
5		V104-000600	1	GASKET,EXHAUST		Sus. by V104-000720	
5		V104-000720	1	GASKET,EXHAUST			
6		V100-000051	1	GASKET,CYL			
8		P021-002982	1	PISTON KIT			
9	+	A101-000030	1	RING,PISTON			
10	+	A101-000020	1	RING,PISTON			
11	+	V608-000010	1	PIN,ENG 10	6*10*40		
12	+	100015-00120	2	CIRCLIP, PISTON PIN			
13	+	V555-000010	1	BEARING,NEEDLE 10			
14	+	V307-000060	2	WASHER,CIRCULAR 10			
15		A011-000140	1	CRANKSHAFT,ASM			
17		P021-002991	1	CRANKCASE KIT			
18	+	94032-36302	2	BEARING BALL	BB-6302		
19	+	100215-03930	2	PIN, DOWEL			
20	+	900162-05035	4	BOLT, H.S. 5*35	5*35 W,SW		
21	+	V508-000010	2	SEAL,OIL 15	ISCD 15*25*7		
22	+	V102-000010	1	GASKET,CRANKCASE			

# 1. Cylinder, Crankcase, Piston

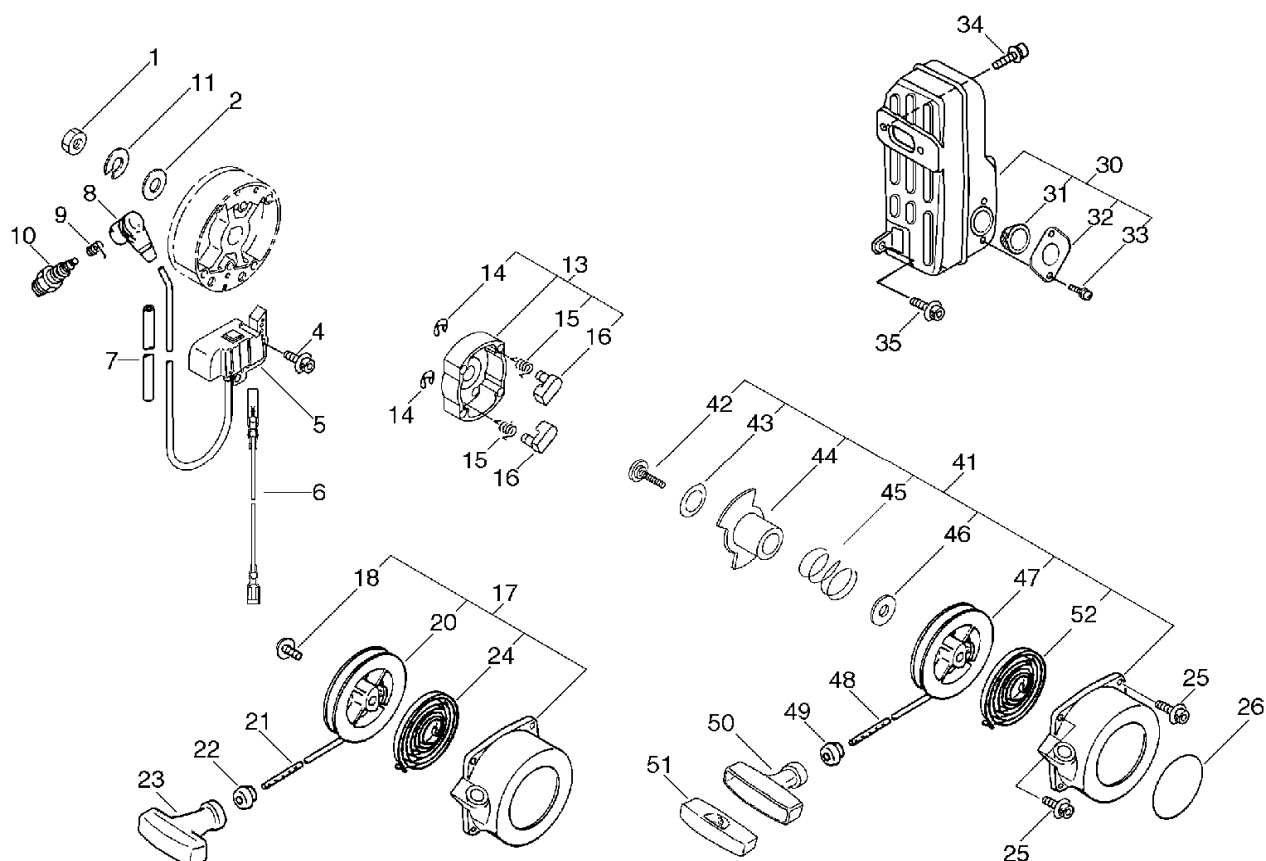
No.1



KEY	LV	PART NUMBER	Q'TY	DESCRIPTION	REMARKS	NOTE1	NOTE2
23		900162-06035	6	BOLT, H.S. 6*35	6*35 W,SW		
24		151112-04630	1	BUSHING			
25		159129-08260	1	COVER, DUST			
26		900162-05018	1	BOLT, H.S. 5*18	5*18 W,SW		
33		900323-03014	1	KEY WOODRUFF	3*14		

## 2. Starter, Magneto, Muffler

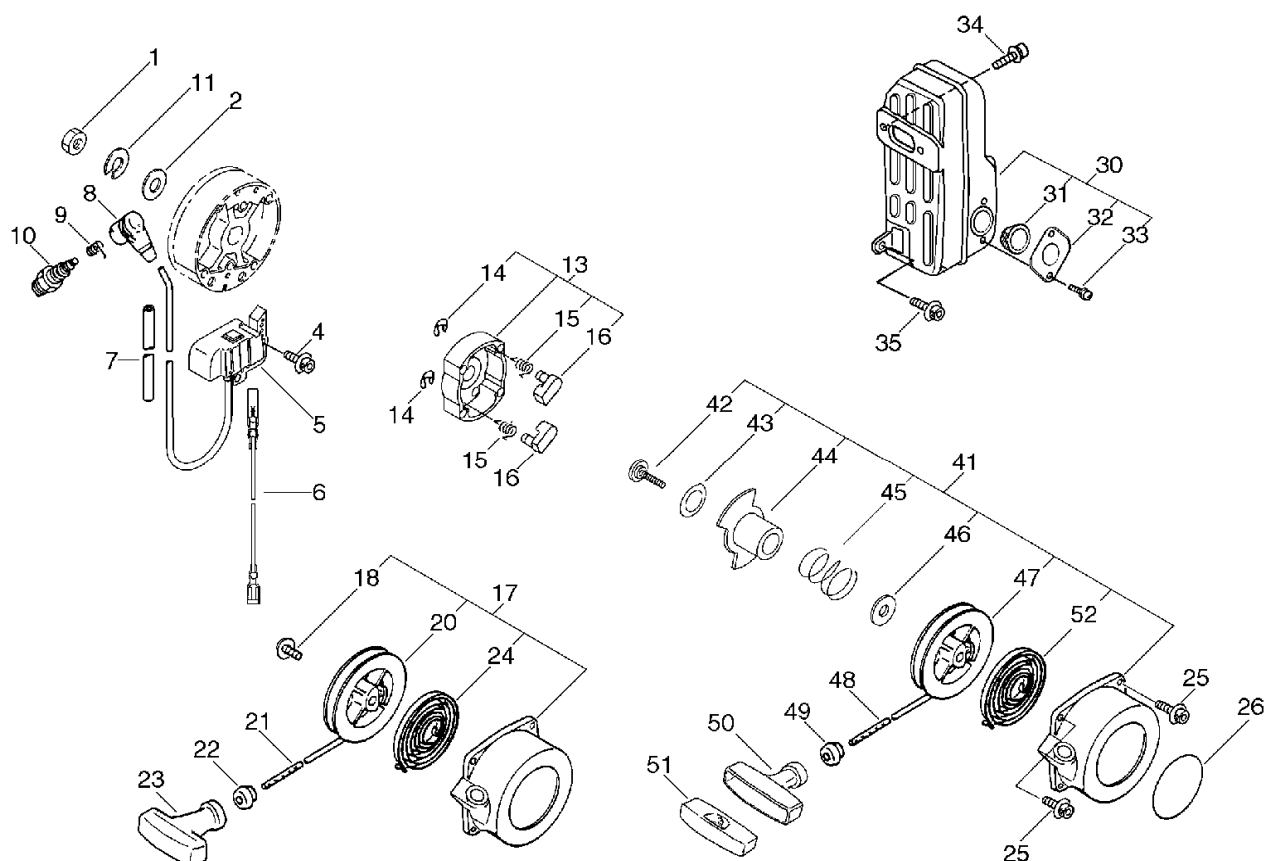
### No.2



KEY	LV	PART NUMBER	Q'TY	DESCRIPTION	REMARKS	NOTE1	NOTE2
1		900501-00010	1	NUT 10*1.25	10*P1.25		
2		900602-00010	1	WASHER 10(10.5*21*2)	10.5*21*2		
3		A409-000110	1	ROTOR,MAGNETO			
4		900162-05022	2	BOLT, H.S. 5*22	5*22 W,SW		
5		A415-000000	1	MODULE,CDI			
6		V485-000190	1	LEAD			
7		156111-06160	1	TUBE 6.3*8*380	6.3*8*380		
8		159012-03433	1	CAP, SPARK PLUG			
9		159011-03432	1	COIL, SPARK PLUG			
10		A425-000000	1	SPARKPLUG	BPMR8Y		
11		900605-00010	1	WASHER, SPRING 10	10		
13		A052-000041	1	PULLEY,ASM STARTER		Sus. by A052-000042	
13		A052-000042	1	PULLEY,ASM STARTER			
14	+	P022-002100	2	E-RING	4		
15	+	P022-003130	2	SPRING, RETURN			
16	+	P022-003120	2	PAWL, STARTER			
17		A051-000201	1	STARTER,RECOIL		Sr/Nr 36001449 and before	
18	+	177236-06910	1	SCREW		Sr/Nr 36001449 and before	
20	+	P022-002080	1	DRUM, STARTER		Sr/Nr 36001449 and before	
21	+	177226-06310	1	ROPE, STARTER	3.8*1150	Sr/Nr 36001449 and before	

## 2. Starter, Magneto, Muffler

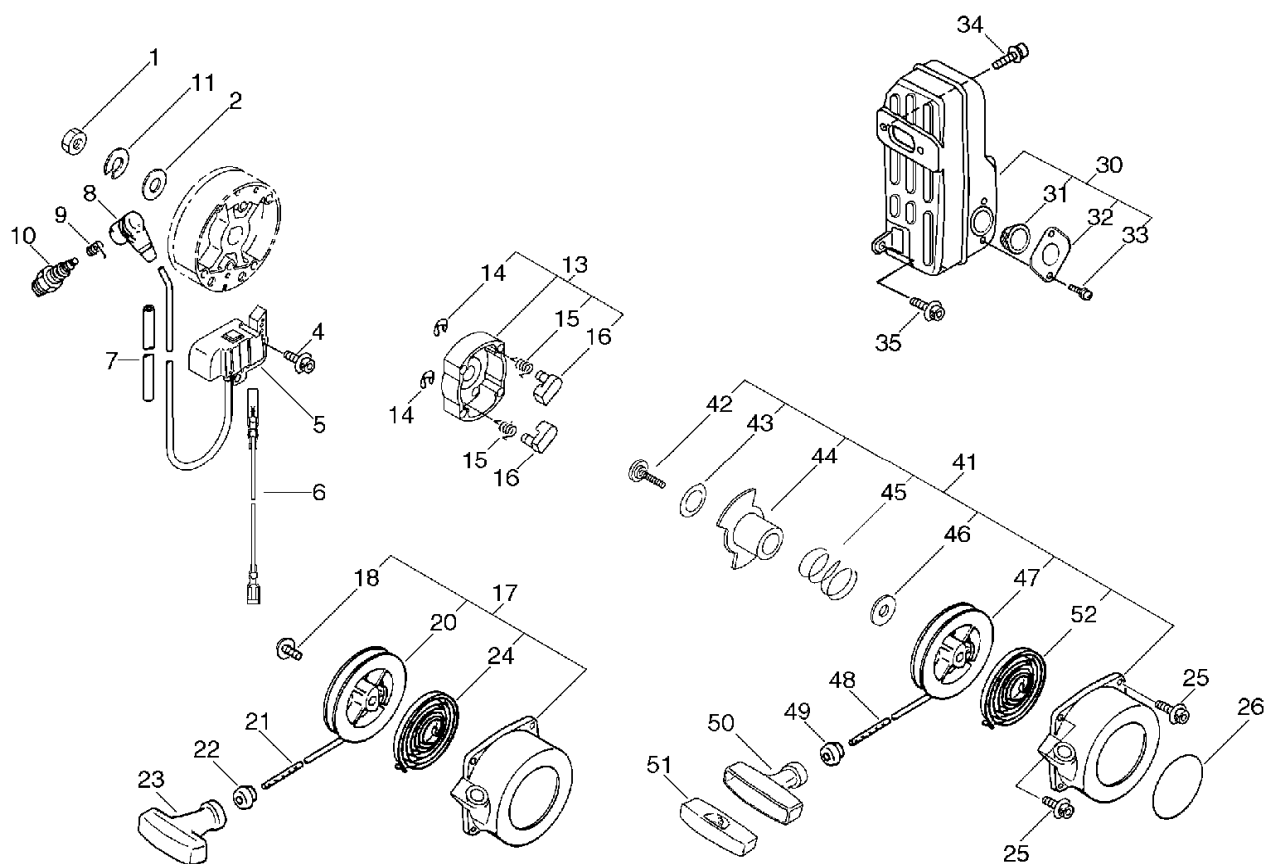
### No.2



KEY	LV	PART NUMBER	Q'TY	DESCRIPTION	REMARKS	NOTE1	NOTE2
22	+	177227-42030	1	GUIDE, ROPE		Sr/Nr 36001449 and before	
23	+	177228-11620	1	GRIP, STARTER		Sr/Nr 36001449 and before	
24	+	177220-06310	1	SPRING, REWIND		Sr/Nr 36001449 and before	
25		900106-05014	4	BOLT, H.S. 5*14	5*14		
26		890118-17930	1	LABEL, ECHO			
30		P021-003000	1	MUFFLER ASY			
31	+	A310-000000	1	SCREEN, ARRESTOR			
32	+	A313-000310	1	GUIDE, EXH			
33	+	91367-04010	2	SCREW	4*10/SW(SUS)		
34		91107-06020	2	BOLT HSH FLANGE	M6*20		
35		900106-05014	1	BOLT, H.S. 5*14	5*14		
41		A051-000840	1	STARTER, RECOIL		Sus. by A051-000841	
41		A051-000841	1	STARTER, RECOIL		Sr/Nr 36001450 and after	
42	+	177236-61830	1	SCREW		Sr/Nr 36001450 and after	
43	+	P022-010250	1	WASHER, THRUST		Sr/Nr 36001450 and after	
44	+	P022-010220	1	PLATE, FRICTION		Sr/Nr 36001450 and after	
45	+	P022-010230	1	SPRING, FRICTION		Sus. by P022-010231	

## 2. Starter, Magneto, Muffler

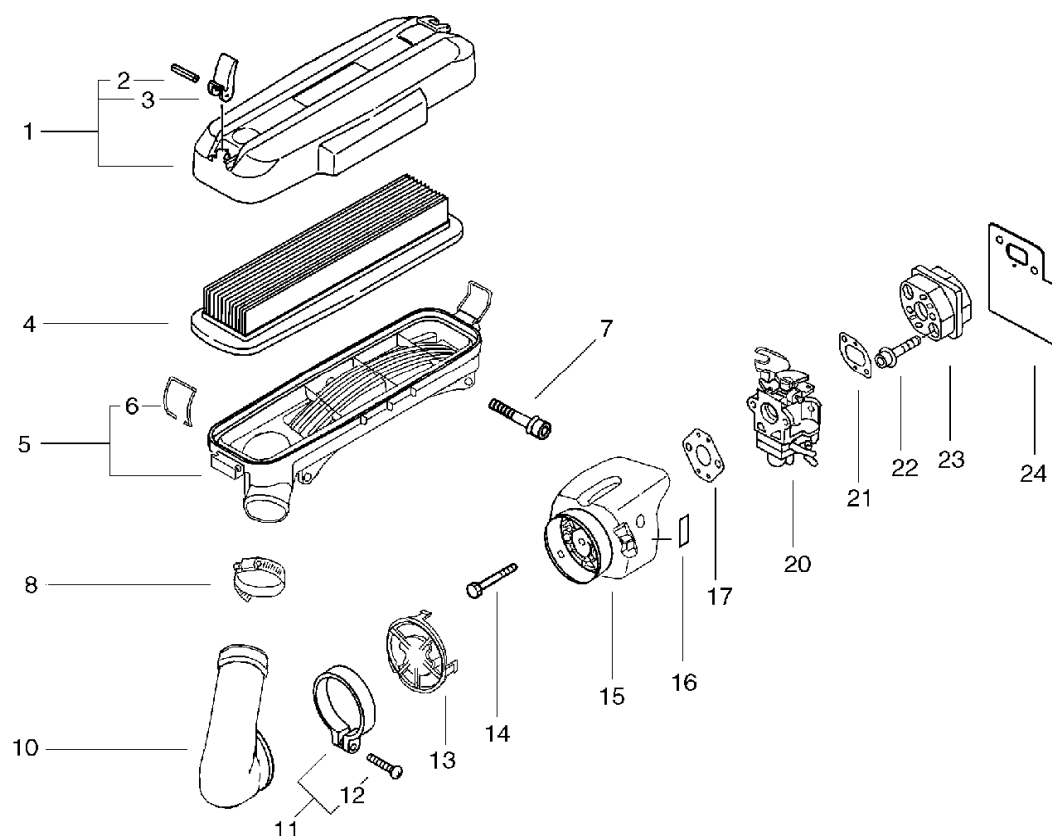
### No.2



KEY	LV	PART NUMBER	Q'TY	DESCRIPTION	REMARKS	NOTE1	NOTE2
45	+	P022-010231	1	SPRING, FRICTION		Sr/Nr 36001450 and after	
46	+	P022-010240	1	WASHER		Sr/Nr 36001450 and after	
47	+	P022-010280	1	DRUM, STARTER		Sr/Nr 36001450 and after	
48	+	P022-010270	1	ROPE		Sr/Nr 36001450 and after	
49	+	177227-42030	1	GUIDE, ROPE		Sr/Nr 36001450 and after	
50	+	177228-11620	1	GRIP, STARTER		Sr/Nr 36001450 and after	
51	+	P022-010260	1	CAP, GRIP		Sr/Nr 36001450 and after	
52	+	P022-004680	1	SPRING, SPIRAL		Sr/Nr 36001450 and after	

### 3. Air Cleaner

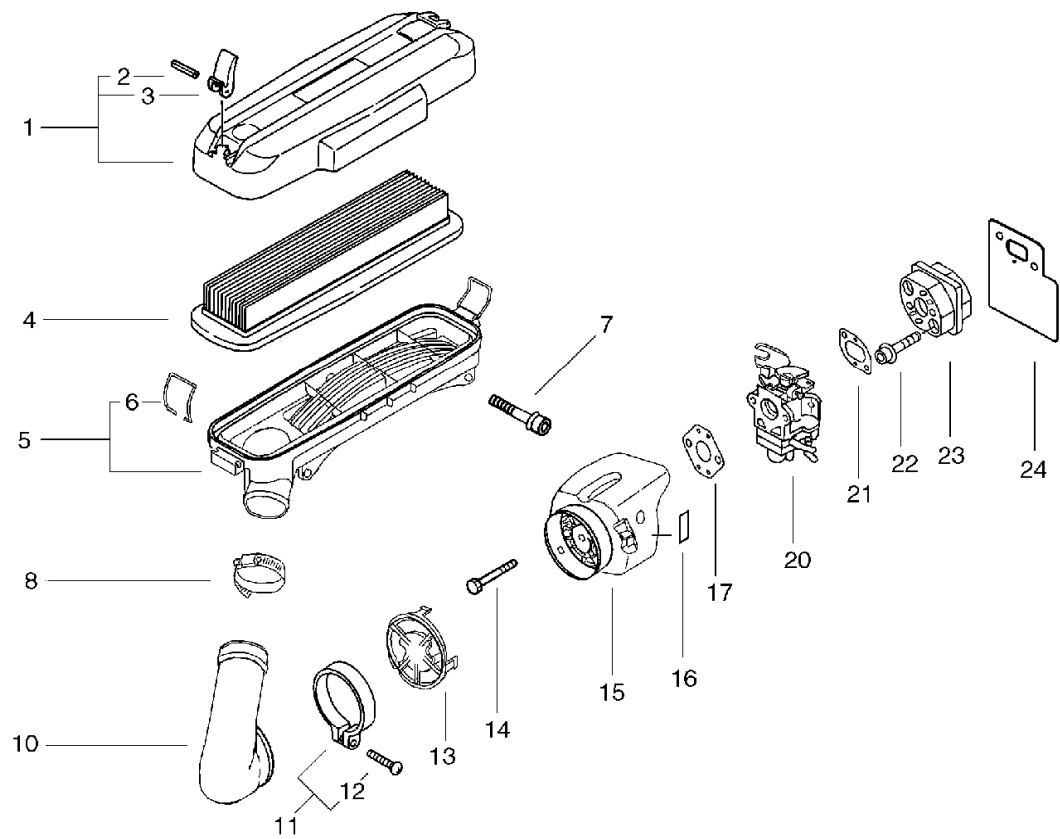
No.3



KEY	LV	PART NUMBER	Q'TY	DESCRIPTION	REMARKS	NOTE1	NOTE2
1		A232-000170	1	LID,CLEANER			
2	+	900345-30025	2	PIN, SPRING 3*25	3*25		
3	+	130341-08260	2	KNOB			
4		130305-08360	1	FILTER, AIR		Sus. by 130305-08361	
4		130305-08361	1	FILTER, AIR			
5		P021-005700	1	CASE, AIR CLEANER		Sus. by P021-005701	
5		P021-005701	1	CASE, AIR CLEANER			
6	+	131032-08360	2	CLIP			
7		900106-05035	2	BOLT, H.S. 5*35	5*35		
8		V495-000590	1	BAND	33MM /57MM		
10		A239-000010	1	PIPE,INTAKE			
11		P021-043140	1	CLAMP W/SCREW			
12	+	900238-05025	1	SCREW 5*25	5*25		
13		A244-000060	1	PLATE,PREVENT			
14		900105-05055	2	BOLT, H.S. 5*55	5*55		
15		P021-005690	1	CLEANER CASE ASY			
16		890332-52730	1	LABEL, CHOKE			
17		V103-000080	1	GASKET,INTAKE			
20		A021-000620	1	CARBURETOR,DIAPHRAGM	WYK-179	Sus. by A021-000621	
20		A021-000621	1	CARBURETOR,DIAPHRAGM	WYK-179A		
21		V103-000140	1	GASKET,INTAKE			
22		900106-05025	2	BOLT, H.S. 5*25	5*25		
23		A200-000070	1	INSULATOR,INTAKE			

### 3. Air Cleaner

No.3

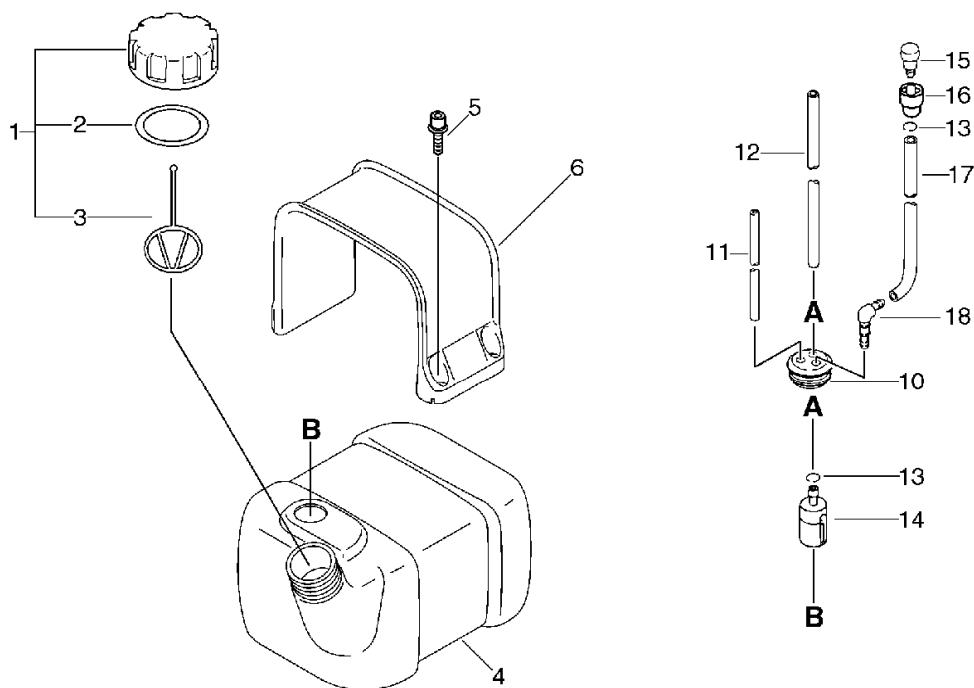


KEY	LV	PART NUMBER	Q'TY	DESCRIPTION	REMARKS	NOTE1	NOTE2
24		V103-000130	1	GASKET,INTAKE			



## 4. Fuel Tank

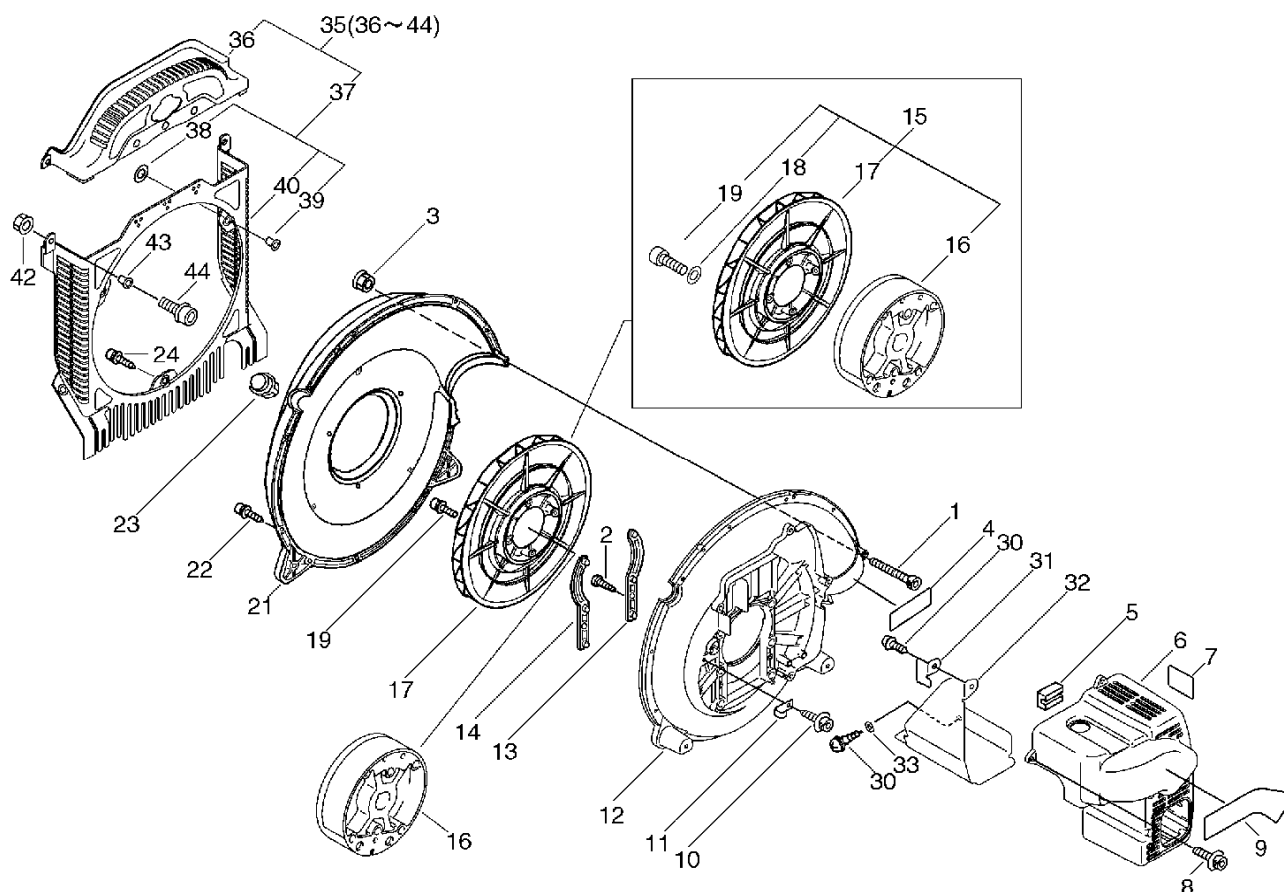
No.4



KEY	LV	PART NUMBER	Q'TY	DESCRIPTION	REMARKS	NOTE1	NOTE2
1		131004-55530	1	CAP ASSY, FUEL TANK			
2	+	131016-55830	1	GASKET, FUEL CAP			
3	+	131051-56030	1	CLIP, FUEL CAP	100L		
4		A350-000151	1	TANK,FUEL			
5		900106-05014	4	BOLT, H.S. 5*14	5*14	Sus. by 900106-05016	
5		900106-05016	4	BOLT, H.S. 5*16	5*16		
6		A392-000000	1	BAND,FUEL TANK			
10		132115-55930	1	GROMMET, FUEL			
11		V471-000610	1	PIPE	3*6*145		
12		132010-35430	1	PIPE 3*6*230	3*6*230		
13		132013-26630	2	CLIP	6.5MM		
14		131205-19830	1	STRAINER, FUEL			
15		A356-000030	1	VALVE,CHECK			
16		131328-40630	1	COVER, VENT			
17		V471-000550	1	PIPE	3*6*145		
18		V186-000080	1	JOINT,PIPE			

## 5. Fan Case

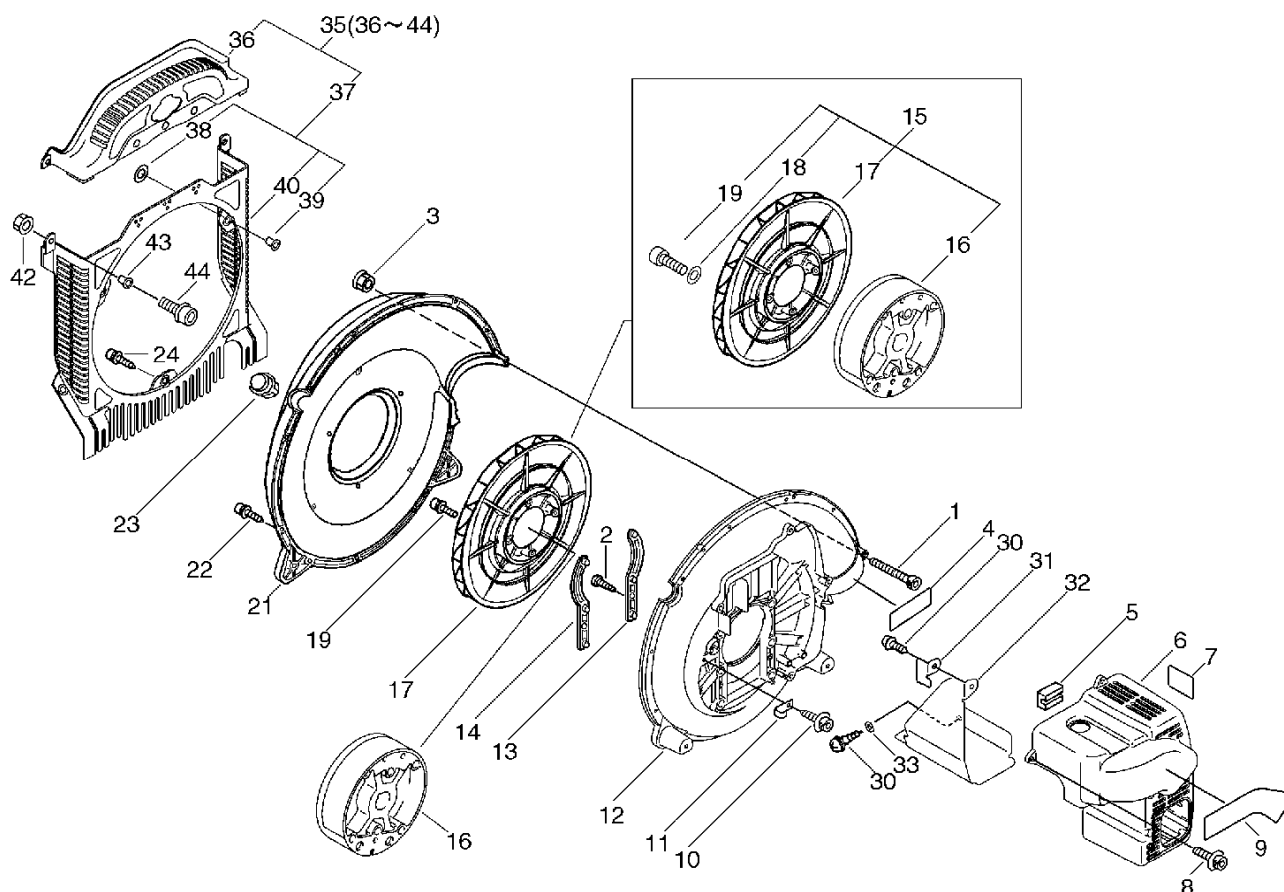
## No.5



KEY	LV	PART NUMBER	Q'TY	DESCRIPTION	REMARKS	NOTE1	NOTE2
1		900105-05060	2	BOLT, H.S. 5*60	5*60		
2		900246-05014	2	SCREW 5*14	5*14		
3		900516-00005	2	NUT, FRANGE 5	5		
4		890160-09461	1	LABEL, CAUTION			
5		V420-000570	1	CUSHION			
6		A190-000110	1	COVER,ENGINE		Sus. by A190-000111	
6		A190-000111	1	COVER,ENGINE			
7		890160-06361	1	LABEL, CAUTION			
8		91145-05020	4	BOLT HS TAPPING	5*20		
9		X503-004400	1	LABEL,MODEL	PB-750	Sus. by X503-004401	
9		X503-004401	1	LABEL,MODEL	PB-750		
10		91145-05016	1	BOLT HS TAPPING	5*16		
11		178111-22330	1	CLIP			
12		E103-000131	1	CASE,FAN		Sus. by E103-000133	
12		E103-000132	1	CASE,FAN		Sus. by E103-000133	
12		E103-000133	1	CASE,FAN			
13		C632-000051	1	PLATE,ENG		Sr/Nr 36004889 and after	
13		C632-000052	1	PLATE,ENG		Sr/Nr 36004890 and before	
14		C632-000041	1	PLATE,ENG		Sr/Nr 36004889 and after	

## 5. Fan Case

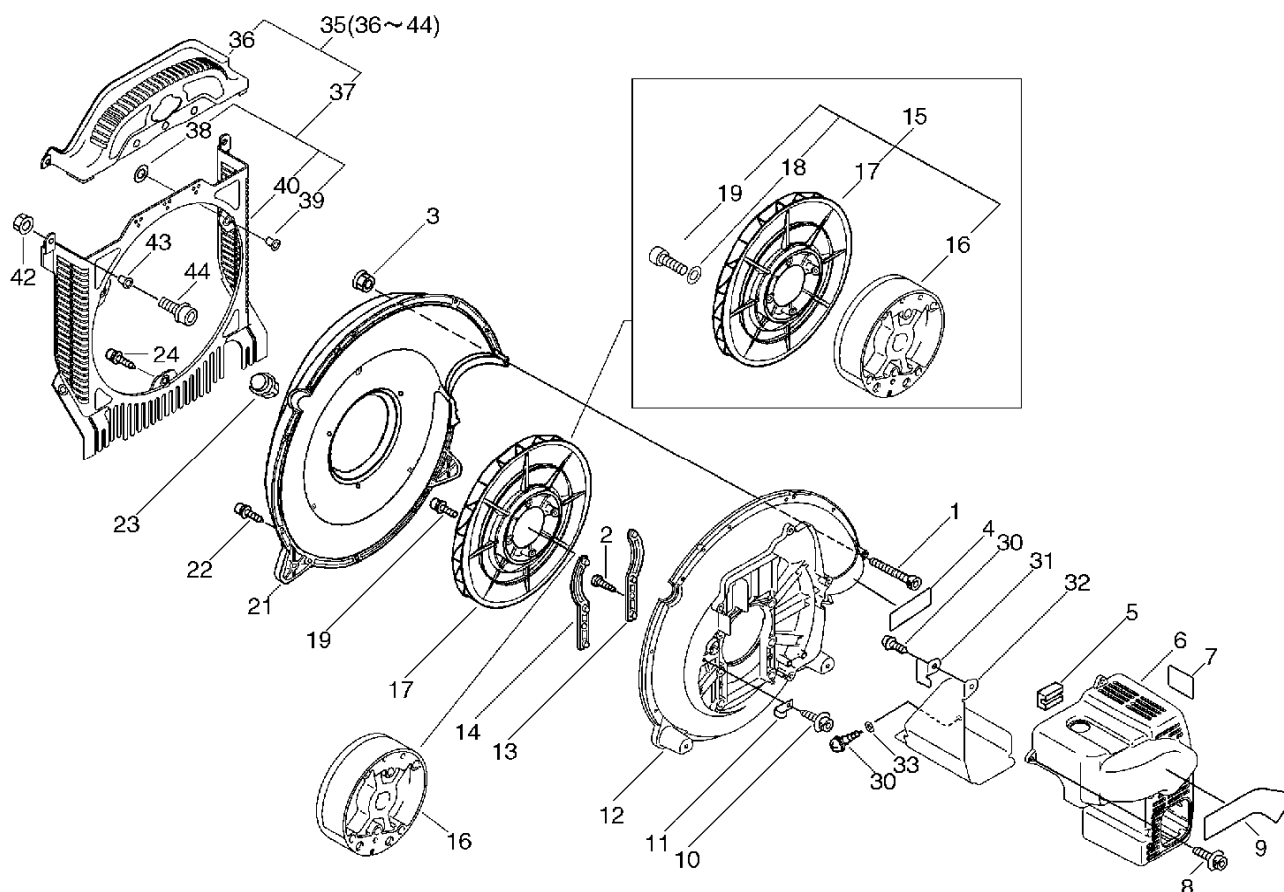
## No.5



KEY	LV	PART NUMBER	Q'TY	DESCRIPTION	REMARKS	NOTE1	NOTE2
14		C632-000042	1	PLATE,ENG		Sr/Nr 36004890 and before	
15		P021-009560	1	FAN,BLOWER KIT		Sr/Nr 36002239 and after	
16		A409-000110	1	ROTOR,MAGNETO		Sr/Nr 36002238 and before	
16	+	A409-000250	1	ROTOR, MAGNETO	VAMAG ID C9014	Can be used on the P021-009560	
17		E100-000040	1	FAN,BLOWER		Sr/Nr 36002238 and before	
17	+	E100-000041	1	FAN,BLOWER		Can be used on the P021-009560	
18	+	145642-06230	4	WASHER		Can be used on the P021-009560	
19		900106-05030	4	BOLT, H.S.H. 5*30	5*30	Sr/Nr 36002238 and before	
19	+	900105-06035	4	BOLT, H.S. 6*35	6*35	Can be used on the P021-009560	
21		E103-000141	1	CASE,FAN			
22		91145-05020	12	BOLT HS TAPPING	5*20		
23		E109-000010	1	LID,FANCASE			
24		91145-05020	3	BOLT HS TAPPING	5*20		

## 5. Fan Case

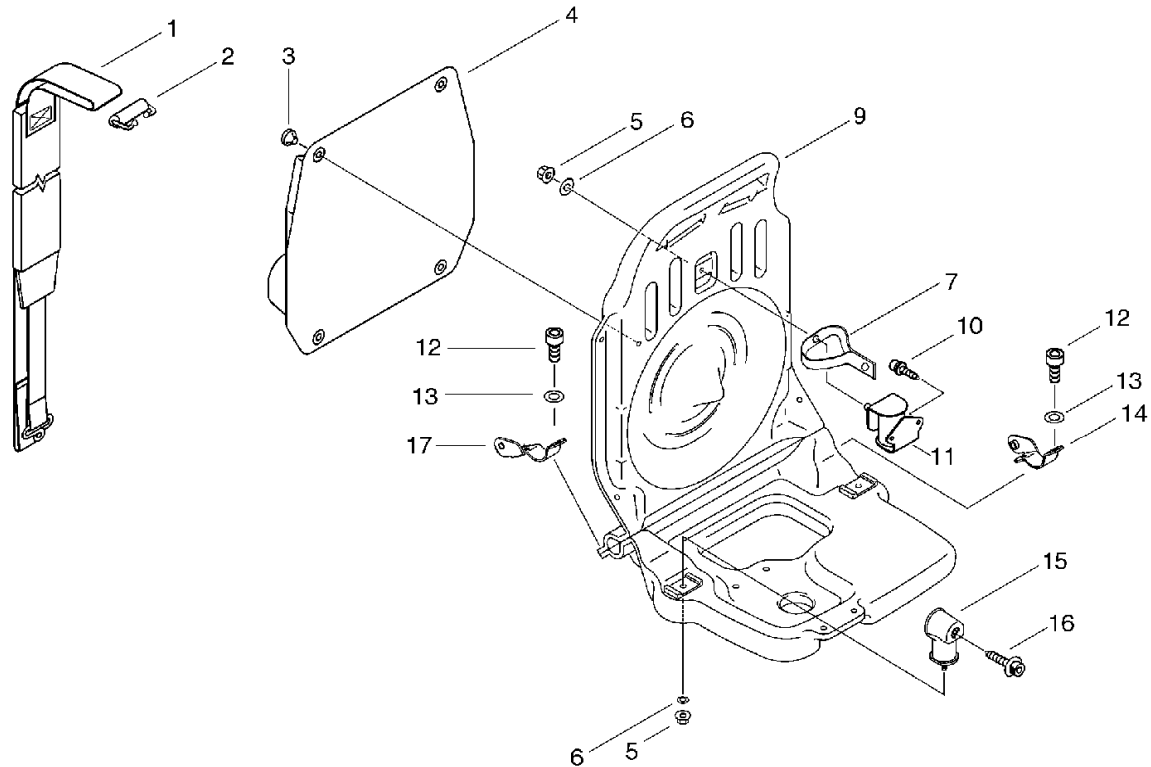
No.5



KEY	LV	PART NUMBER	Q'TY	DESCRIPTION	REMARKS	NOTE1	NOTE2
30		900253-05010	2	SCREW 5*10	5*10		
31		V152-000770	1	PLATE,ANGLE			
32		A322-000020	1	INSULATOR,MUFFLER			
33		900603-00005	1	WASHER 5	5.5*12*0.8		
35		P021-005143	1	GRID,BLOWER SET			
36	+	E104-000041	1	GRID,BLOWER			
37	+	P021-005611	1	GRID,BLOWER SET			
38	++	613019-07350	2	WASHER 5.5*16*2T	5.5*16*2T		
39	++	104915-08260	2	SPACER			
40	++	E104-000051	1	GRID,BLOWER			
42	+	900562-50005	4	LOCKNUT 5	5		
43	+	104915-08260	4	SPACER			
44	+	900106-05020	4	BOLT, H.S. 5*20	5*20		

## 6. Harness

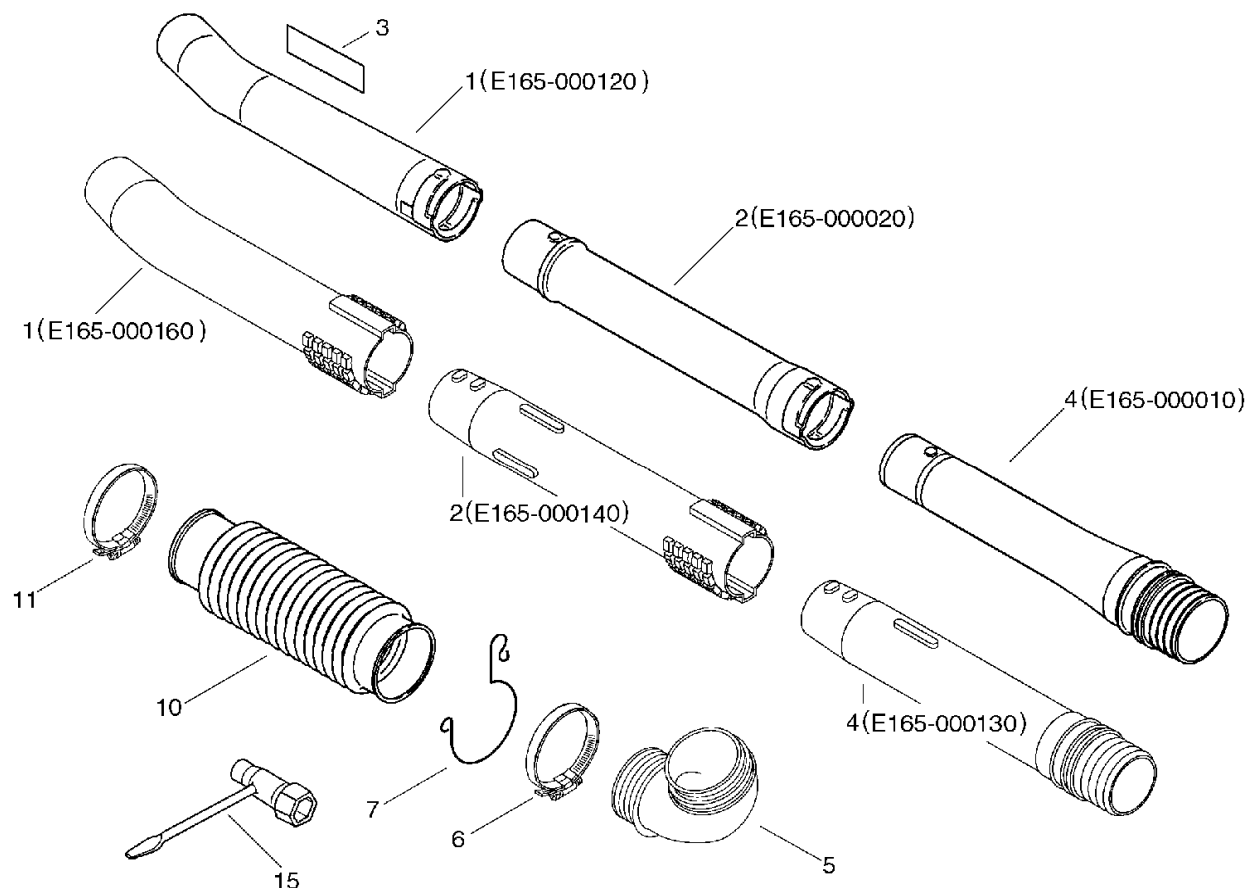
No.6



KEY	LV	PART NUMBER	Q'TY	DESCRIPTION	REMARKS	NOTE1	NOTE2
1		C061-000110	2	HARNESS,ASM BACKPACK			
2		V491-000040	2	CLIP			
3		300333-06160	4	CLIP			Sus. by V491-000120
3		V491-000120	4	CLIP			
4		300105-08260	1	CUSHION, KNAPSACK	BL		Sus. by 300105-08261
4		300105-08261	1	CUSHION, KNAPSACK			
5		900516-00005	3	NUT, FRANGE 5	5		
6		613019-07350	3	WASHER 5.5*16*2T	5.5*16*2T		
7		C617-000150	1	STOPPER			
9		C066-000001	1	FRAME,ASM BACKPACK			Sus. by C066-000004
9		C066-000002	1	FRAME,ASM BACKPACK			Sus. by C066-000004
9		C066-000003	1	FRAME,ASM BACKPACK			Sus. by C066-000004
9		C066-000004	1	FRAME,ASM BACKPACK			
10		91145-05016	2	BOLT HS TAPPING	5*16		
11		100905-08261	1	CUSHION			
12		900105-05020	4	BOLT, H.S. 5*20	5*20		
13		613019-07350	4	WASHER 5.5*16*2T	5.5*16*2T		
14		C626-000010	1	FIXTURE,HARNESS			
15		V401-000070	2	CUSHION,5			
16		91145-05016	2	BOLT HS TAPPING	5*16		
17		C626-000030	1	FIXTURE,HARNESS			

## 7. Pipe, Tool

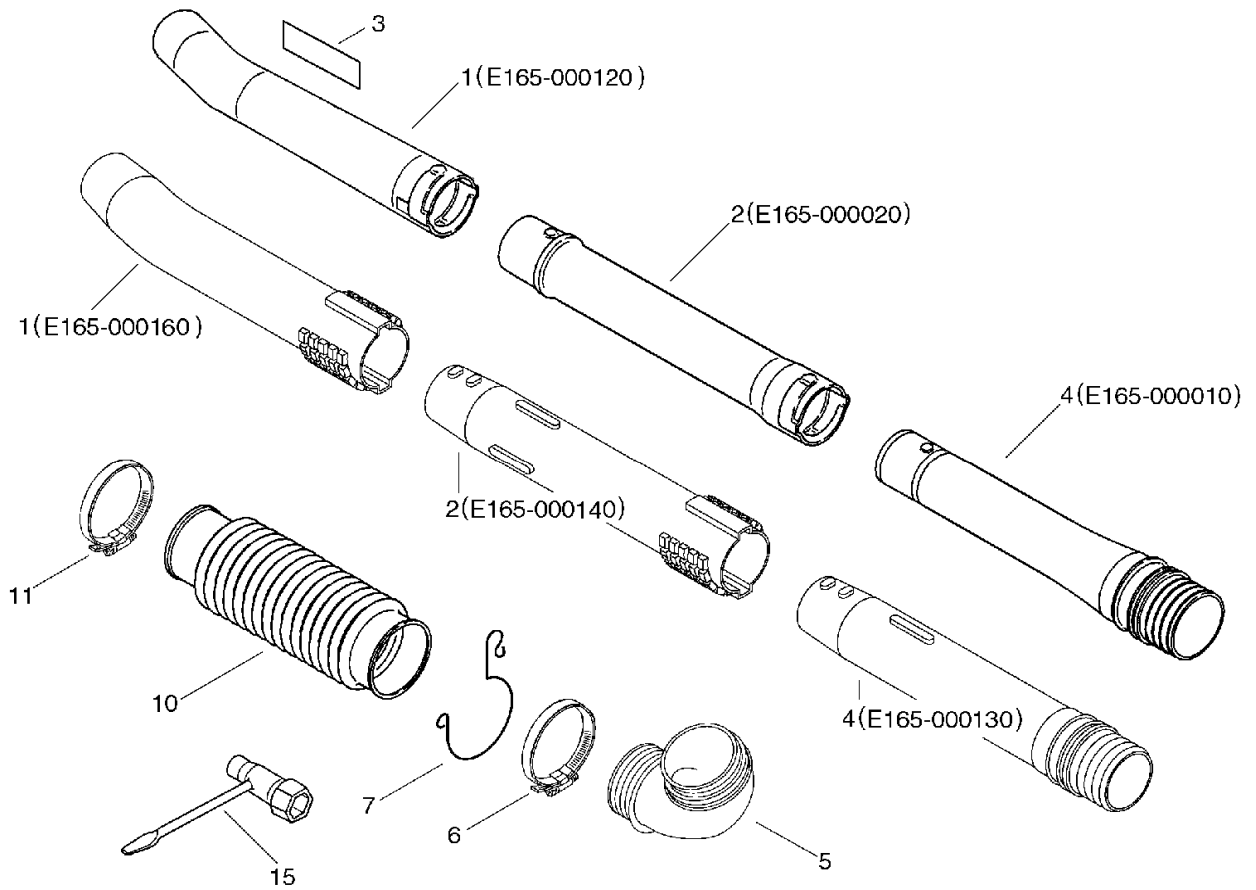
No.7



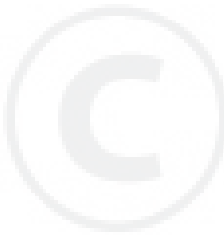
KEY	LV	PART NUMBER	Q'TY	DESCRIPTION	REMARKS	NOTE1	NOTE2
1		E165-000120	1	PIPE,BLOWER		Sr/Nr 35001200 and before	
1		E165-000160	1	PIPE,BLOWER	418MM*65/79MM	Sr/Nr 35001201 and after	
2		E165-000020	1	PIPE,BLOWER	ECHO	Sr/Nr 35001200 and before	
2		E165-000140	1	PIPE,BLOWER	418MM*73/79MM	Sr/Nr 35001201 and after	
3		890118-04261	2	LABEL, ECHO		Sus. by 890118- 04262	
3		890118-04262	2	LABEL, ECHO	194*44		
4		E165-000010	1	PIPE,BLOWER		Sr/Nr 35001200 and before	
4		E165-000130	1	PIPE,BLOWER	362MM*73/84MM	Sr/Nr 35001201 and after	
5		E160-000090	1	PIPE,MAIN		Sus. by E160- 000091	
5		E160-000091	1	PIPE,MAIN			
6		V495-000440	1	BAND	77.8MM /101.6MM		
7		V490-000230	1	CLIP			
10		E164-000051	1	PIPE,FLEXIBLE			
11		V495-000430	1	BAND	58.7MM / 82.5MM		
15		895410-39130	1	WRENCH, W/S-DRIVER		Sus. by 895410- 39131	

# 7. Pipe, Tool

No.7

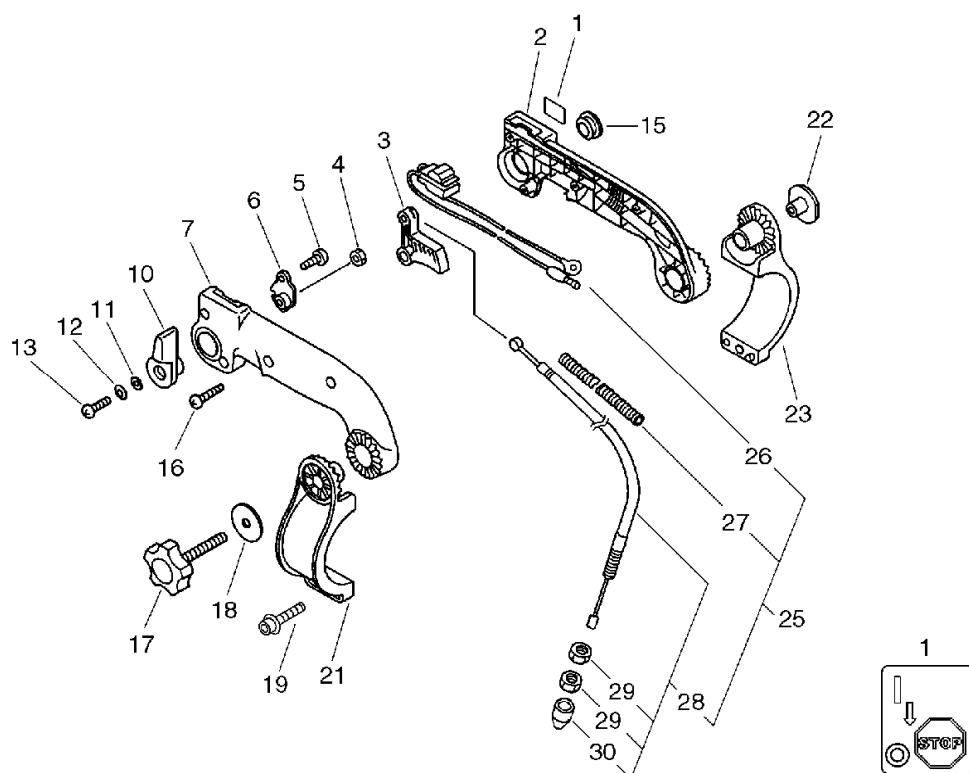


KEY	LV	PART NUMBER	Q'TY	DESCRIPTION	REMARKS	NOTE1	NOTE2
15		895410-39131	1	WRENCH, W/S-DRIVER			



## 8. Throttle

No.8

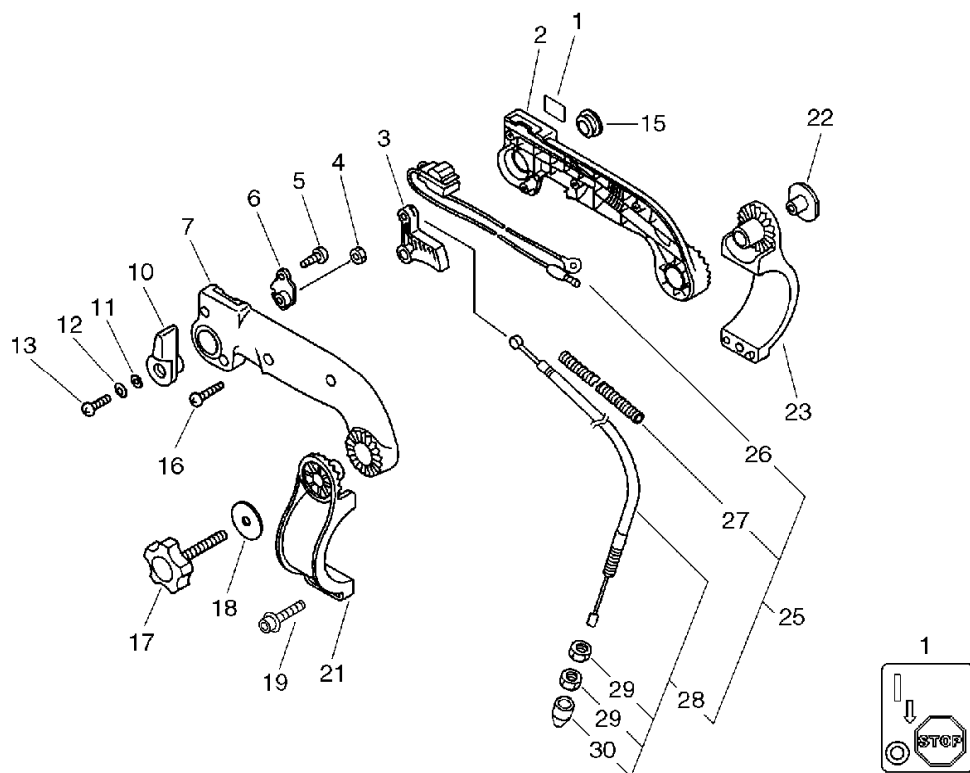


KEY	LV	PART NUMBER	Q'TY	DESCRIPTION	REMARKS	NOTE1	NOTE2
1		890157-06560	1	LABEL, SWITCH			
2		351311-07560	1	HANDLE, FRONT			
3		178010-07561	1	CONTROL, THROTTLE			
4		900500-00006	1	NUT 6	6		
5		900245-04010	1	SCREW 4*10	4*10		
6		178123-07561	1	BRACKET, THROTTLE			
7		351315-07560	1	HANDLE, FRONT			
10		178054-07560	1	CONTRTOL, THROTTLE			
11		900603-00006	1	WASHER 6	6.5*13*1		
12		900605-00006	1	WASHER, SPRING 6	6		
13		900235-06020	1	SCREW 6*20	6*20		
15		351146-07560	1	PLUG			
16		900256-04022	4	SCREW 4*22	4*22		
17		305812-08260	1	KNOB, FASTENER			
18		178516-07560	1	WASHER 6			
19		91145-05020	1	BOLT HS TAPPING	5*20		
21		C405-000020	1	BRACKET,HANDLE			
22		178021-08260	1	NUT, THROTTLE ROD			
23		C405-000030	1	BRACKET,HANDLE			
25		V043-000000	1	CABLE,ASM CONTROL		Sus. by V043-000040	
25		V043-000040	1	CABLE ASY, CONTROL			
26	+	A440-000350	1	SWITCH,ON OFF		Sus. by A440-000660	
26	+	A440-000660	1	SWITCH, ON OFF			



# 8. Throttle

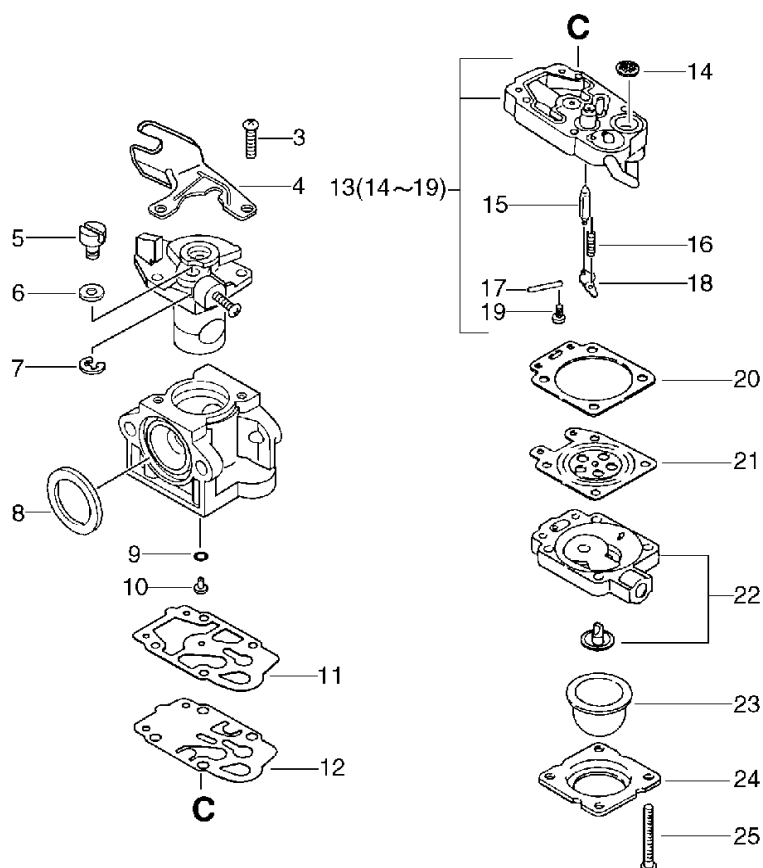
No.8



KEY	LV	PART NUMBER	Q'TY	DESCRIPTION	REMARKS	NOTE1	NOTE2
27	+	V475-002100	1	TUBE		Sus. by V475-003210	
27	+	V475-003210	1	TUBE	7*10*860		
28	+	V430-000450	1	CABLE,BOWDEN			
29	++	900503-00006	2	NUT (3N 6*0.75)	3N 6*0.75		
30	++	V494-000080	1	CAP			

## 9. Carburetor

No.9



KEY	LV	PART NUMBER	Q'TY	DESCRIPTION	REMARKS	NOTE1	NOTE2
		A021-000620	1	CARBURETOR,DIAPHRAGM	WYK-179	Sus. by A021-000621	
		A021-000621	1	CARBURETOR,DIAPHRAGM	WYK-179A		
3	+	123114-40630	2	SCREW			
4	+	P003-000180	1	BRACKET CABLE			
5	+	123172-45130	1	SWIVEL			
6	+	123149-54230	1	WASHER			
7	+	123173-07930	1	CLIP			
8	+	123143-12110	1	RING, PACKING			
9	+	123183-40630	1	O-RING			
10	+	P003-001020	1	JET			
11	+	123125-40630	1	GASKET, PUMP			
12	+	123112-40630	1	DIAPHRAGM, PUMP			
13	+	P003-000630	1	BODY ASSEMBLY, PUMP			
14	++	123126-10631	1	SCREEN, INLET			
15	++	123137-19830	1	VALVE, INLET NEEDLE			
16	++	123122-05560	1	SPRING, METER. LEVER			
17	++	123138-03930	1	PIN, METERING LEVER			
18	++	123123-03930	1	LEVER, METERING			
19	++	123139-05560	1	SCREW, M. LEVER PIN			
20	+	123140-05560	1	GASKET, M. DIAPHRAGM			
21	+	P003-000090	1	METERING, DIAPHRAGM			
22	+	123180-05560	1	BODY, AIR PURGE			
23	+	123181-40630	1	PUMP, PRIMER			
24	+	123142-05560	1	COVER, PRIMER PUMP			
25	+	123110-05560	4	SCREW, PUMP COVER			

## 10. Repair Kit

KEY	LV	PART NUMBER	Q'TY	DESCRIPTION	REMARKS	NOTE1	NOTE2
		P003-000650	1	GASKET/DIAPHRAGM KIT	D21-WYK		
9-8	+	123143-12110	1	RING, PACKING			
911	+	123125-40630	1	GASKET, PUMP			
912	+	123112-40630	1	DIAPHRAGM, PUMP			
920	+	123140-05560	1	GASKET, M. DIAPHRAGM			
	+	123183-54230	1	O-RING			
	+	123183-12110	1	O-RING			
	+	123143-12210	1	RING, PACKING			
	+	123183-05960	1	O-RING			
	+	123140-02960	1	GASKET, M. DIAPHRAGM			
	+	123159-40630	1	GASKET, PLATE			
	+	123141-03930	1	DIAPHRAGM, METERING			
		P003-000660	1	REPAIR KIT	K21-WYK		
9-8	+	123143-12110	1	RING, PACKING			
9-11	+	123125-40630	1	GASKET, PUMP			
9-12	+	123112-40630	1	DIAPHRAGM, PUMP			
9-14	+	123126-10631	1	SCREEN, INLET			
9-15	+	123137-19830	1	VALVE, INLET NEEDLE			
9-17	+	123138-03930	1	PIN, METERING LEVER			
9-18	+	123123-03930	1	LEVER, METERING			
9-20	+	123140-05560	1	GASKET, M. DIAPHRAGM			
	+	123183-54230	1	O-RING			
	+	123183-12110	1	O-RING			
	+	123143-12210	1	RING, PACKING			
	+	123183-05960	1	O-RING			
	+	123140-02960	1	GASKET, M. DIAPHRAGM			

**10. Repair Kit**

KEY	LV	PART NUMBER	Q'TY	DESCRIPTION	REMARKS	NOTE1	NOTE2
	+	123159-40630	1	GASKET, PLATE			
	+	123141-03930	1	DIAPHRAGM, METERING			



**Index**

<b>Patrs Number</b>	<b>Key No.</b>	<b>Patrs Number</b>	<b>Key No.</b>	<b>Patrs Number</b>	<b>Key No.</b>
100015-00120	1 - 12	123183-54230	10 -	890332-52730	3 - 16
100215-03930	1 - 19	130305-08360	3 - 4	895410-39130	7 - 15
100905-08261	6 - 11	130305-08361	3 - 4	895410-39131	7 - 15
104915-08260	5 - 39	130341-08260	3 - 3	900105-05020	6 - 12
104915-08260	5 - 43	131004-55530	4 - 1	900105-05055	3 - 14
123110-05560	9 - 25	131016-55830	4 - 2	900105-05060	5 - 1
123112-40630	10 - 912	131032-08360	3 - 6	900105-06035	5 - 19
123112-40630	10 - 9-12	131051-56030	4 - 3	900106-05008	1 - 4
123112-40630	9 - 12	131205-19830	4 - 14	900106-05014	2 - 25
123114-40630	9 - 3	131328-40630	4 - 16	900106-05014	2 - 35
123122-05560	9 - 16	132010-35430	4 - 12	900106-05014	4 - 5
123123-03930	10 - 9-18	132013-26630	4 - 13	900106-05016	4 - 5
123123-03930	9 - 18	132115-55930	4 - 10	900106-05020	5 - 44
123125-40630	10 - 911	145642-06230	5 - 18	900106-05025	3 - 22
123125-40630	10 - 9-11	151112-04630	1 - 24	900106-05030	5 - 19
123125-40630	9 - 11	156111-06160	2 - 7	900106-05035	3 - 7
123126-10631	10 - 9-14	159011-03432	2 - 9	900162-05018	1 - 26
123126-10631	9 - 14	159012-03433	2 - 8	900162-05022	1 - 2
123137-19830	10 - 9-15	159129-08260	1 - 25	900162-05022	2 - 4
123137-19830	9 - 15	177220-06310	2 - 24	900162-05025	1 - 2
123138-03930	10 - 9-17	177226-06310	2 - 21	900162-05035	1 - 20
123138-03930	9 - 17	177227-42030	2 - 22	900162-06035	1 - 23
123139-05560	9 - 19	177227-42030	2 - 49	900235-06020	8 - 13
123140-02960	10 -	177228-11620	2 - 23	900238-05025	3 - 12
123140-02960	10 -	177228-11620	2 - 50	900245-04010	8 - 5
123140-05560	10 - 920	177236-06910	2 - 18	900246-05014	5 - 2
123140-05560	10 - 9-20	177236-61830	2 - 42	900253-05010	5 - 30
123140-05560	9 - 20	178010-07561	8 - 3	900256-04022	8 - 16
123141-03930	10 -	178021-08260	8 - 22	900323-03014	1 - 33
123141-03930	10 -	178054-07560	8 - 10	900345-30025	3 - 2
123142-05560	9 - 24	178111-22330	5 - 11	900500-00006	8 - 4
123143-12110	10 - 9-8	178123-07561	8 - 6	900501-00010	2 - 1
123143-12110	10 - 9- 8	178516-07560	8 - 18	900503-00006	8 - 29
123143-12110	9 - 8	300105-08260	6 - 4	900516-00005	5 - 3
123143-12210	10 -	300105-08261	6 - 4	900516-00005	6 - 5
123143-12210	10 -	300333-06160	6 - 3	900562-50005	5 - 42
123149-54230	9 - 6	305812-08260	8 - 17	900602-00010	2 - 2
123159-40630	10 -	351146-07560	8 - 15	900603-00005	5 - 33
123159-40630	10 -	351311-07560	8 - 2	900603-00006	8 - 11
123172-45130	9 - 5	351315-07560	8 - 7	900605-00006	8 - 12
123173-07930	9 - 7	613019-07350	5 - 38	900605-00010	2 - 11
123180-05560	9 - 22	613019-07350	6 - 6	91107-06020	2 - 34
123181-40630	9 - 23	613019-07350	6 - 13	91145-05016	5 - 10
123183-05960	10 -	890118-04261	7 - 3	91145-05016	6 - 10
123183-05960	10 -	890118-04262	7 - 3	91145-05016	6 - 16
123183-12110	10 -	890118-17930	2 - 26	91145-05020	5 - 8
123183-12110	10 -	890157-06560	8 - 1	91145-05020	5 - 22
123183-40630	9 - 9	890160-06361	5 - 7	91145-05020	5 - 24
123183-54230	10 -	890160-09461	5 - 4	91145-05020	8 - 19

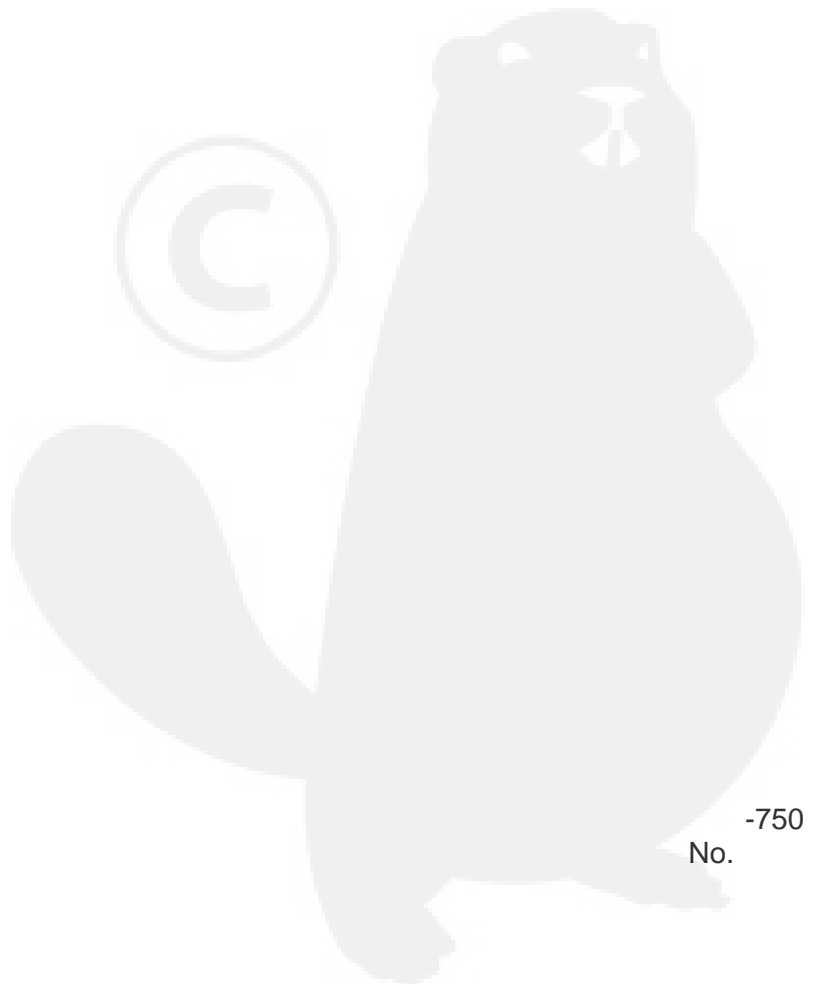
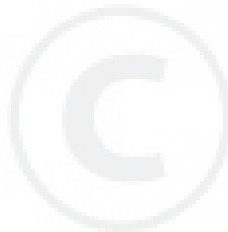
**Index**

<b>Patrs Number</b>	<b>Key No.</b>	<b>Patrs Number</b>	<b>Key No.</b>	<b>Patrs Number</b>	<b>Key No.</b>
91367-04010	2 - 33	E100-000040	5 - 17	V100-000051	1 - 6
94032-36302	1 - 18	E100-000041	5 - 17	V102-000010	1 - 22
A011-000140	1 - 15	E103-000131	5 - 12	V103-000080	3 - 17
A021-000620	3 - 20	E103-000132	5 - 12	V103-000130	3 - 24
A021-000620	9 -	E103-000133	5 - 12	V103-000140	3 - 21
A021-000621	3 - 20	E103-000141	5 - 21	V104-000250	1 - 5
A021-000621	9 -	E104-000041	5 - 36	V104-000600	1 - 5
A051-000201	2 - 17	E104-000051	5 - 40	V104-000720	1 - 5
A051-000840	2 - 41	E109-000010	5 - 23	V152-000770	5 - 31
A051-000841	2 - 41	E160-000090	7 - 5	V186-000080	4 - 18
A052-000041	2 - 13	E160-000091	7 - 5	V307-000060	1 - 14
A052-000042	2 - 13	E164-000051	7 - 10	V401-000070	6 - 15
A101-000020	1 - 10	E165-000010	7 - 4	V420-000570	5 - 5
A101-000030	1 - 9	E165-000020	7 - 2	V430-000450	8 - 28
A130-000251	1 - 1	E165-000120	7 - 1	V471-000550	4 - 17
A160-000340	1 - 3	E165-000130	7 - 4	V471-000610	4 - 11
A190-000110	5 - 6	E165-000140	7 - 2	V475-002100	8 - 27
A190-000111	5 - 6	E165-000160	7 - 1	V475-003210	8 - 27
A200-000070	3 - 23	P003-000090	9 - 21	V485-000190	2 - 6
A232-000170	3 - 1	P003-000180	9 - 4	V490-000230	7 - 7
A239-000010	3 - 10	P003-000630	9 - 13	V491-000040	6 - 2
A244-000060	3 - 13	P003-000650	10 -	V491-000120	6 - 3
A310-000000	2 - 31	P003-000660	10 -	V494-000080	8 - 30
A313-000310	2 - 32	P003-001020	9 - 10	V495-000430	7 - 11
A322-000020	5 - 32	P021-002982	1 - 8	V495-000440	7 - 6
A350-000151	4 - 4	P021-002991	1 - 17	V495-000590	3 - 8
A356-000030	4 - 15	P021-003000	2 - 30	V508-000010	1 - 21
A392-000000	4 - 6	P021-005143	5 - 35	V555-000010	1 - 13
A409-000110	2 - 3	P021-005611	5 - 37	V608-000010	1 - 11
A409-000110	5 - 16	P021-005690	3 - 15	X503-004400	5 - 9
A409-000250	5 - 16	P021-005700	3 - 5	X503-004401	5 - 9
A415-000000	2 - 5	P021-005701	3 - 5		
A425-000000	2 - 10	P021-009560	5 - 15		
A440-000350	8 - 26	P021-043140	3 - 11		
A440-000660	8 - 26	P022-002080	2 - 20		
C061-000110	6 - 1	P022-002100	2 - 14		
C066-000001	6 - 9	P022-003120	2 - 16		
C066-000002	6 - 9	P022-003130	2 - 15		
C066-000003	6 - 9	P022-004680	2 - 52		
C066-000004	6 - 9	P022-010220	2 - 44		
C405-000020	8 - 21	P022-010230	2 - 45		
C405-000030	8 - 23	P022-010231	2 - 45		
C617-000150	6 - 7	P022-010240	2 - 46		
C626-000010	6 - 14	P022-010250	2 - 43		
C626-000030	6 - 17	P022-010260	2 - 51		
C632-000041	5 - 14	P022-010270	2 - 48		
C632-000042	5 - 14	P022-010280	2 - 47		
C632-000051	5 - 13	V043-000000	8 - 25		
C632-000052	5 - 13	V043-000040	8 - 25		

# YAMABIKO CORPORATION

7-2 SUEHIROCHO 1-CHOME, OHME, TOKYO 198-8760, JAPAN  
PHONE: 81-428-32-6118. FAX: 81-428-32-6145.

**ECHO**®



-750  
No.