



PARTS CATALOG

HANDHELD BLOWER

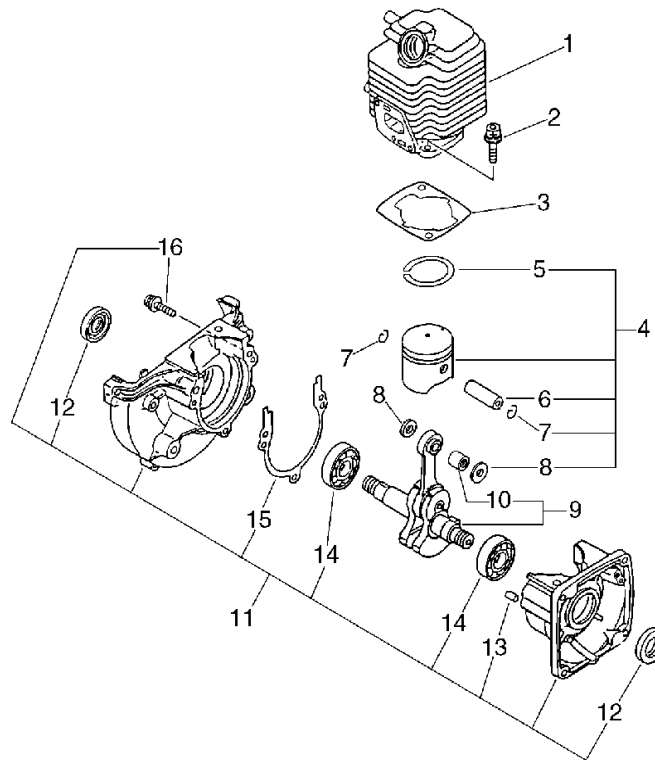
PB-1000,1010



PB-1000,1010

1. Cylinder, Crankcase, Piston

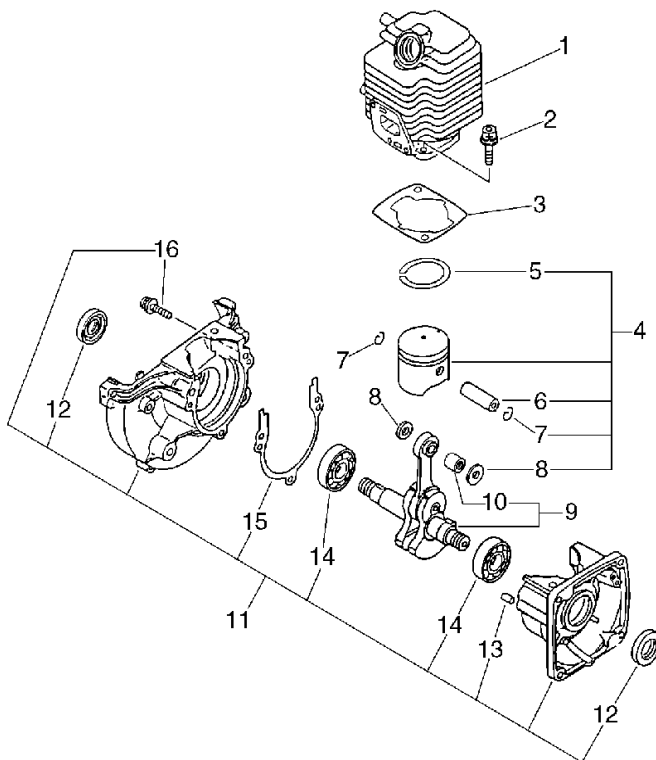
No.1



KEY	LV	PART NUMBER	Q'TY	DESCRIPTION	REMARKS	NOTE1	NOTE2
1		101011-45230	1	CYLINDER			
2		900162-05022	2	BOLT, H.S. 5*22	5*22 W,SW		
3		101010-44331	1	GASKET, CYL. BASE		Sus. by 101010-44332	
3		101010-44332	1	GASKET, CYL. BASE			
4		100000-44330	1	PISTON KIT		Sus. by 100000-44331	
4		100000-44331	1	PISTON KIT			
5	+	100011-05330	1	RING, PISTON			
6	+	100013-11520	1	PIN, PISTON			
7	+	100015-04630	2	CIRCLIP, PISTON PIN			
8	+	100014-11520	2	SPACER, PISTON PIN			
9		100100-44732	1	CRANKSHAFT ASSY		Sus. by 100100-44733	
9		100100-44733	1	CRANKSHAFT			
10	+	100012-51230	1	BEARING, NEEDLE	8*12*10	Sus. by V553-000030	
10	+	V553-000030	1	BEARING, NEEDLE 8			
11		100204-51030	1	CRANKCASE KIT		Sus. by 100204-51031	
11		100204-51031	1	CRANKCASE KIT			
12	+	100212-42030	2	OILSEAL	ISCD12*22*4.5	Sus. by 100212-42031	
12	+	100212-42031	2	OILSEAL	ISCD 12*22*4.5		
13	+	100215-03930	2	PIN, DOWEL			

1. Cylinder, Crankcase, Piston

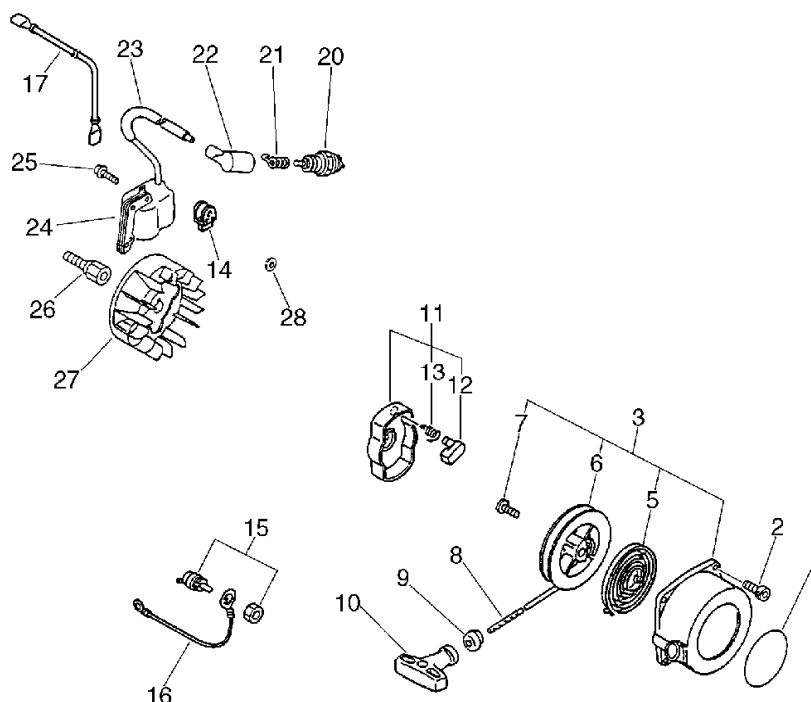
No.1



KEY	LV	PART NUMBER	Q'TY	DESCRIPTION	REMARKS	NOTE1	NOTE2
14	+	900810-36201	2	BEARING, BALL 6201	6201/C3	Sus. by 94035-36201	
14	+	94035-36201	2	BEARING BALL	6201X3JR2C3		
15	+	100242-42030	1	GASKET, CRANKCASE			
16	+	900162-05028	3	BOLT, H.S. 5*28	5*28 W,SW		

2. Starter, Magneto

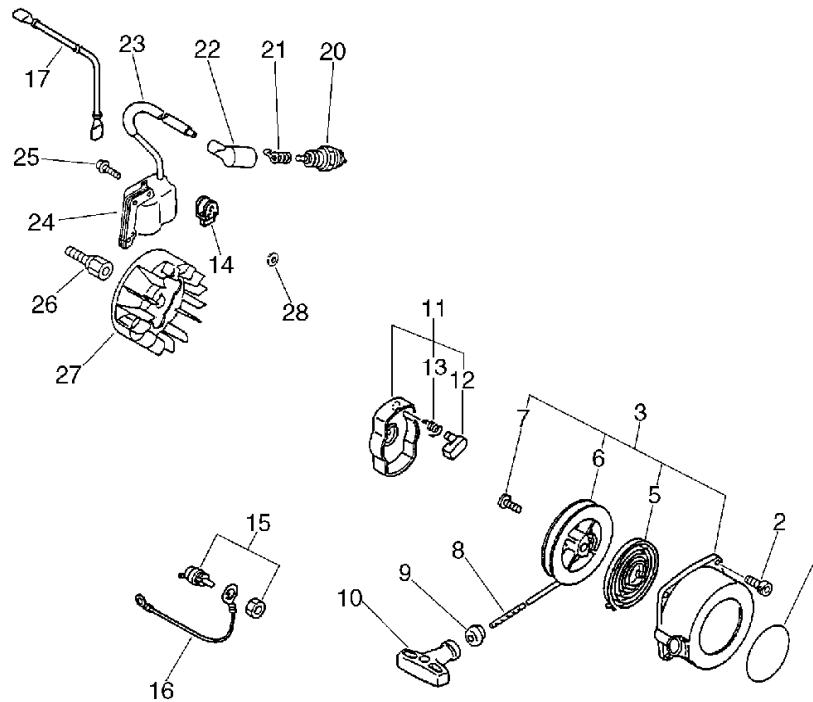
No.2



KEY	LV	PART NUMBER	Q'TY	DESCRIPTION	REMARKS	NOTE1	NOTE2
1		890118-49130	1	LABEL, ECHO			
2		900238-04018	4	SCREW 4*18	4*18	Sus. by 900162-04018	
2		900162-04018	4	BOLT, H.S. 4*18	4*18 W,SW		
3		177200-42032	1	STARTER ASSY		Sus. by 177200-42033	
3		177200-42033	1	STARTER ASSY			
5	+	177220-42030	1	SPRING, REWIND			
6	+	177215-42030	1	DRUM, STARTER		Sus. by 177215-44430	
6	+	177215-44430	1	DRUM, STARTER			
7	+	177236-44330	1	SCREW			
8	+	177226-10120	1	ROPE, STARTER	3.0*1000		
9	+	177227-42030	1	GUIDE, ROPE			
10	+	177228-06530	1	GRIP, STARTER			
11		177202-44330	1	PAWL ASSY, STARTER		Sus. by 177202-44331	
11		177202-44331	1	PAWL ASM., STARTER			
12	+	177218-44330	1	PAWL, STARTER	BLACK		
13	+	177234-42030	1	SPRING, RETURN		Sus. by 177234-12220	
13	+	177234-12220	1	SPRING, PAWL			
14		150112-05060	1	BUSHING			
15		163400-03460	1	SWITCH, IGNITION			
16		162010-05060	1	LEAD, GROUND			
17		162010-06861	1	LEAD, GROUND			

2. Starter, Magneto

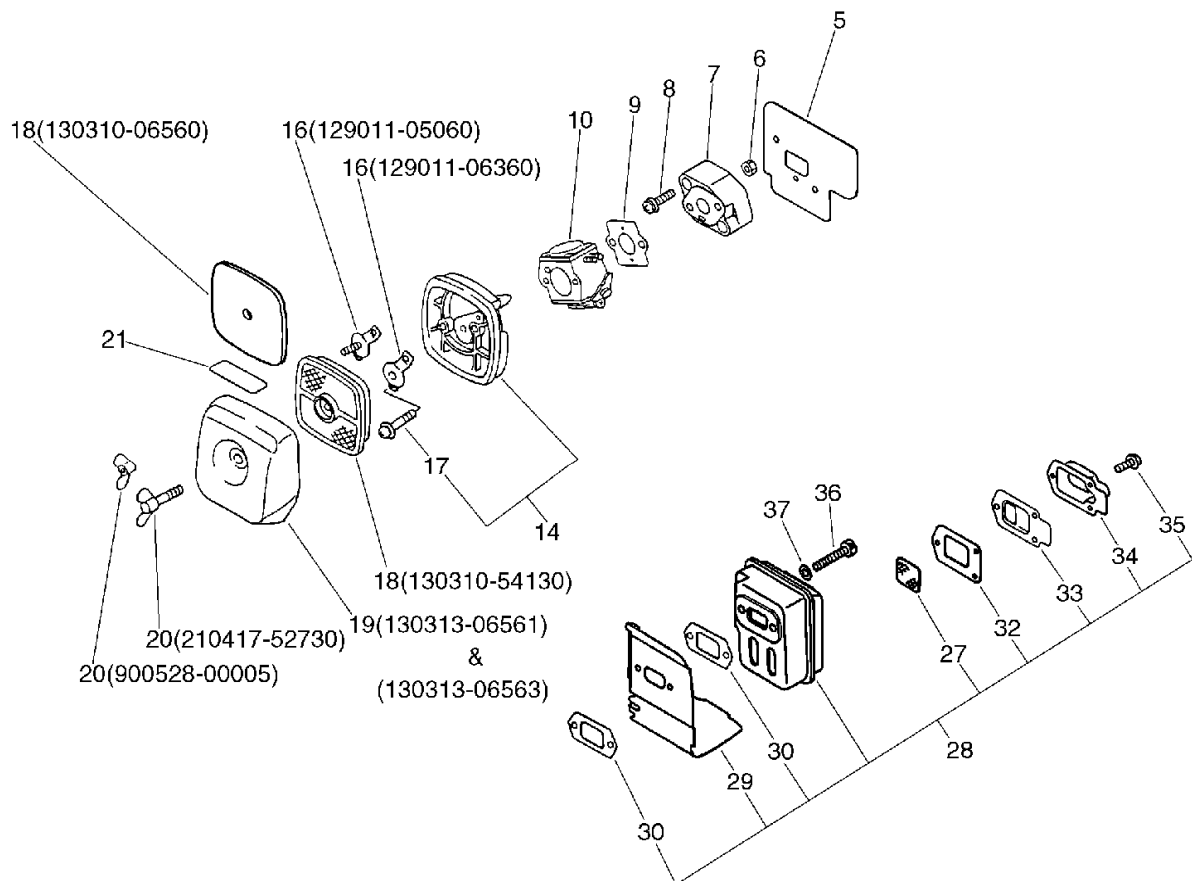
No.2



KEY	LV	PART NUMBER	Q'TY	DESCRIPTION	REMARKS	NOTE1	NOTE2
20		159017-10230	1	PLUG, SPARK (RCJ-7Y)	RCJ-7Y		
21		159011-03432	1	COIL, SPARK PLUG			
22		159012-03433	1	CAP, SPARK PLUG			
23		156611-05060	1	TUBE	6*8*150		
24		158626-06360	1	COIL, IGNITION		Sus. by 158626-06361	
24		158626-06361	1	COIL, IGNITION			
25		900162-04022	2	BOLT, H.S. 4*22	4*22 W,SW		
26		200011-05661	1	HUB, FAN			
27		158800-06360	1	ROTOR, MAGNETO		Sus. by 158800-20560	
27		158800-20560	1	ROTOR, MAGNETO			
28		101531-54330	2	COLLAR			

3. Air Cleaner, Muffler

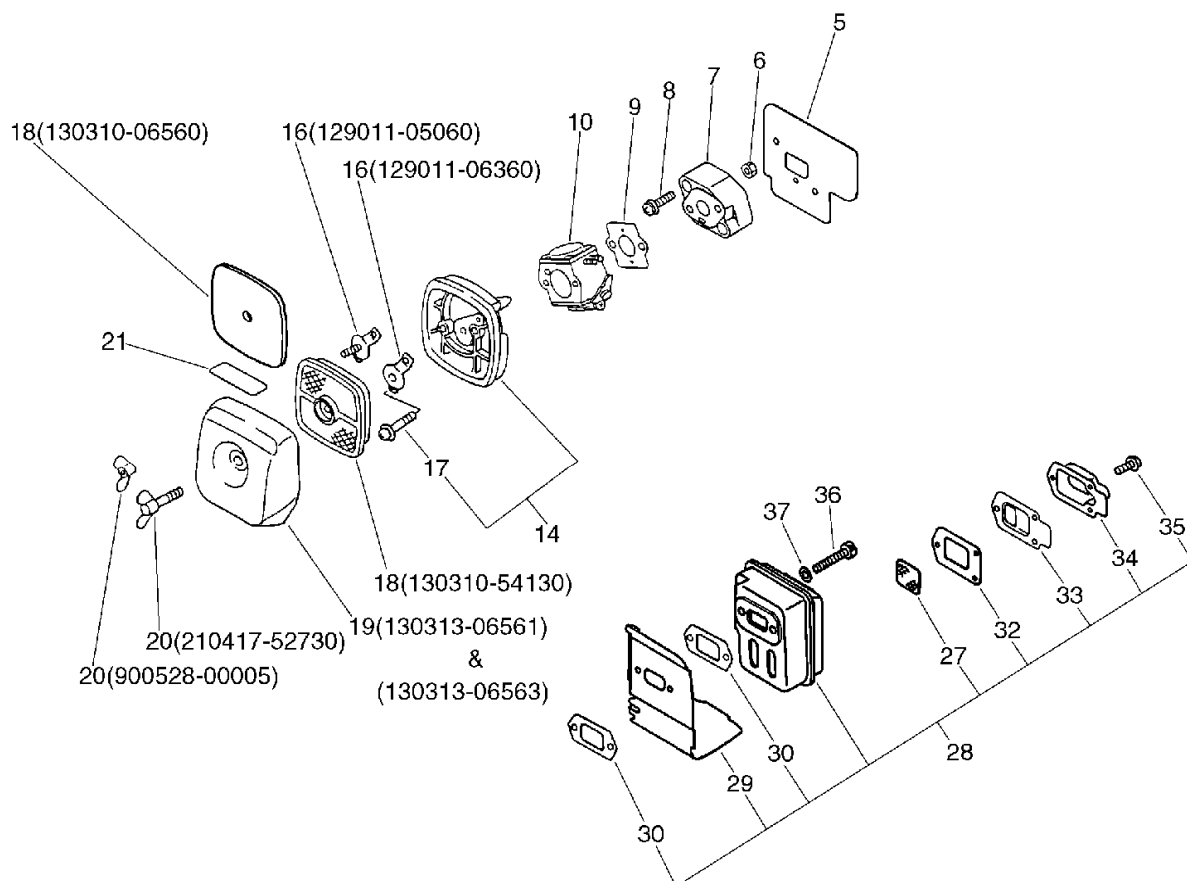
No.3



KEY	LV	PART NUMBER	Q'TY	DESCRIPTION	REMARKS	NOTE1	NOTE2
5		130010-05062	1	GASKET, INTAKE			
6		900500-00005	2	NUT 5	5		
7		130017-05061	1	INSULATOR		Sus. by 130017-05062	
7		130017-05062	1	INSULATOR, INTAKE			
8		900238-05022	2	SCREW 5*22	5*22		
9		130016-42031	1	GASKET, INTAKE		Sus. by V103-000111	
9		V103-000111	1	GASKET,INTAKE		PB-1000 Sus. by 130016-42031	
9		130016-42031	1	GASKET, INTAKE		PB-1000,1010	
10		125200-06861	1	CARBURETOR ASSY	C1U-K26B	Sus. by 125200-06862	
10		125200-06862	1	CARBURETOR	C1U-K26B		
14		130307-06561	1	CASE, AIR CLEANER		Sus. by P021-002921	
14		P021-002921	1	CASE, AIR CLEANER			
17	+	900242-05065	2	SCREW 5*65	5*65		
16		129011-05060	1	PLATE		Sr/Nr 457916 and before	
16		129011-06360	1	PLATE, PREVENT		Sus. by 129011-06361	
16		129011-06361	1	PLATE, PREVENT		Sr/Nr 457917 and after	

3. Air Cleaner, Muffler

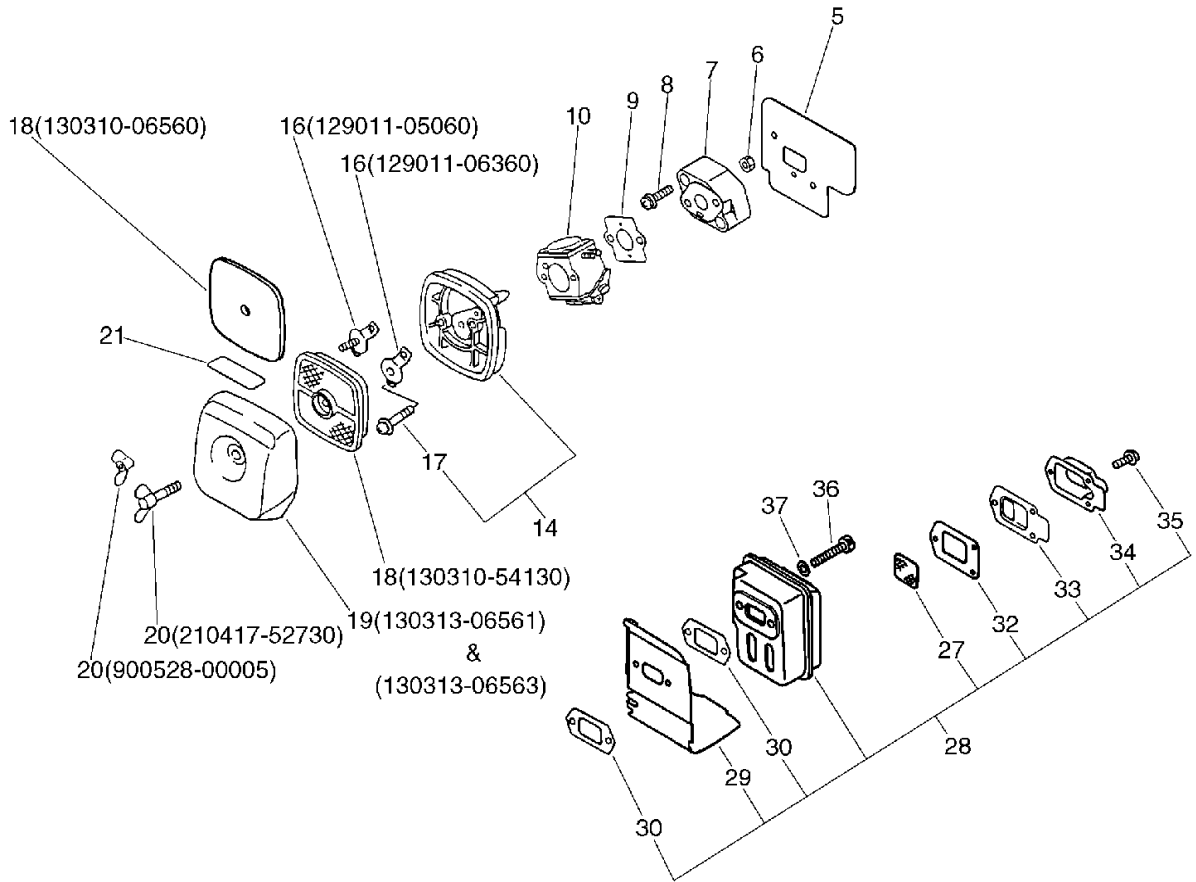
No.3



KEY	LV	PART NUMBER	Q'TY	DESCRIPTION	REMARKS	NOTE1	NOTE2
18		130310-06560	1	FILTER, AIR		Sr/Nr 457916 and before	
18		130310-54130	1	FILTER, AIR		Sr/Nr 457917 and after	
19		130313-06560	1	COVER, AIR CLEANER		Sus. by 130313-06561	
19		130313-06561	1	COVER, AIR CLEANER		Sr/Nr 457916 and before	
19		130313-06563	1	LID, AIR CLEANER		Sr/Nr 457917 and after	
20		900528-00005	1	NUT	5	Sr/Nr 457916 and before	
20		210417-52730	1	BOLT, WING	5*20	Sr/Nr 457917 and after	
21		890121-05360	1	LABEL, METERING			
28		145802-05062	1	MUFFLER ASSY		Sus. by 145802-05063	
28		145802-05063	1	MUFFLER ASSY (SAM)			
29	+	145871-05760	1	COVER, MUFFLER			
30	+	145510-42031	2	GASKET, MUFFLER		Sus. by V104-000160	
30	+	V104-000160	2	GASKET, EXHAUST			
32	+	145866-42031	1	GASKET, MUFFLER LID			
33	+	145876-42030	1	LID, MUFFLER (B)			
34	+	145876-05060	1	PLATE		Sus. by 145876-05061	

3. Air Cleaner, Muffler

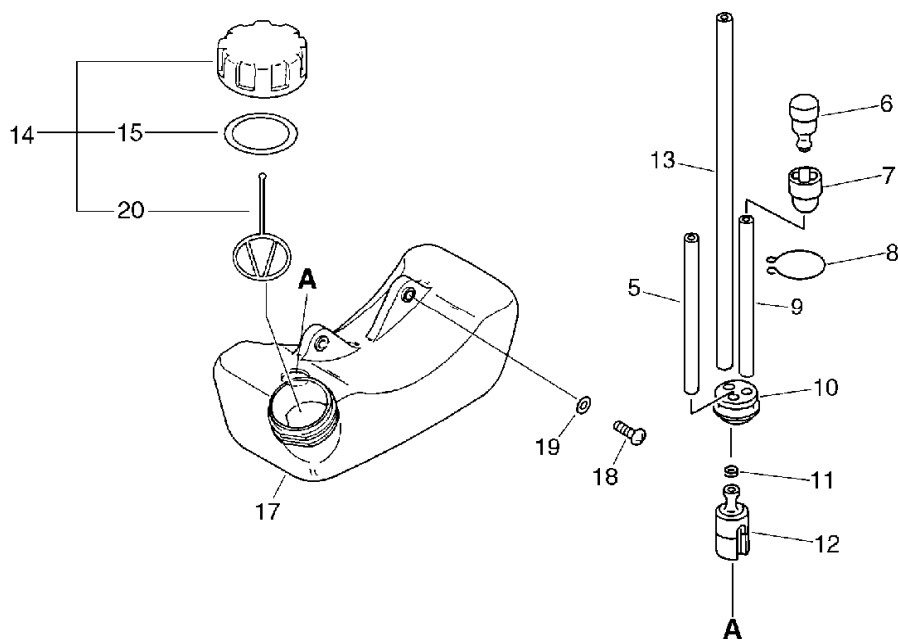
No.3



KEY	LV	PART NUMBER	Q'TY	DESCRIPTION	REMARKS	NOTE1	NOTE2
34	+	145876-05061	1	PLATE			
35	+	900242-04010	3	SCREW 4*10	4*10		
36		900105-05055	2	BOLT, H.S. 5*55	5*55		
37		900600-00005	2	WASHER 5	5		

4. Fuel Tank

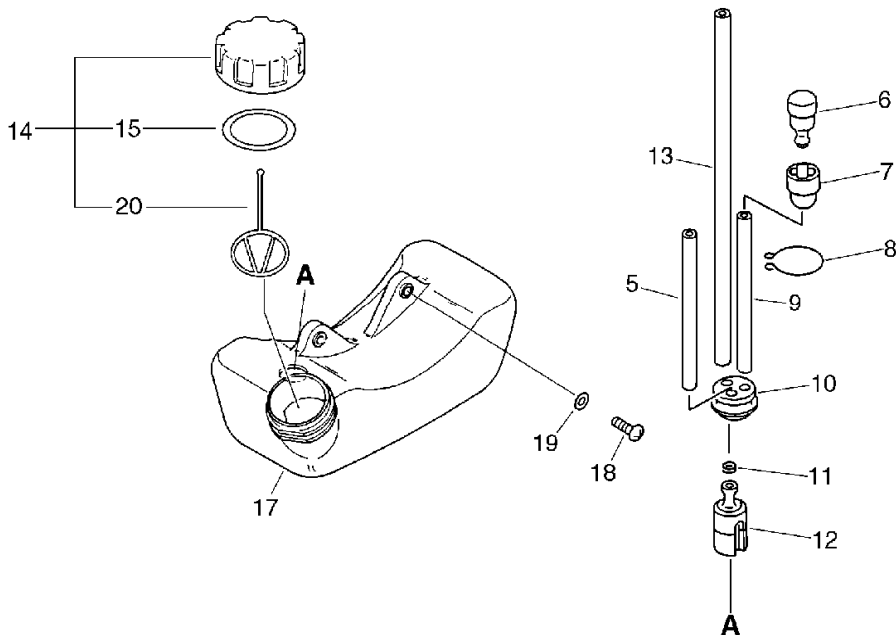
No.4



KEY	LV	PART NUMBER	Q'TY	DESCRIPTION	REMARKS	NOTE1	NOTE2
5		132012-51030	1	PIPE 3*5* 90	3*5*90 ㇀ ニー㇀	Sus. by 132010-56330	
5		132010-56330	1	PIPE 3*6*90	3*6*90 YL		
6		131300-40630	1	VALVE, CHECK		Sus. by A356-000030	
6		131300-56430	1	VALVE, CHECK		Sus. by A356-000030	
6		A356-000030	1	VALVE,CHECK			
7		131328-40630	1	COVER, VENT			
8		132013-05060	1	CLIP, PIPE			
9		131312-39130	1	PIPE	3*5*70(+3)NBR	Sus. by V471-001200	
9		V471-001200	1	PIPE	3*5*70 NBR		
10		132115-46730	1	GROMMET, FUEL		Sus. by V137-000030	
10		V137-000030	1	GROMMET,FUEL			
11		132013-09820	1	CLIP	6MM		
12		131205-07320	1	STRAINER, FUEL			
13		132010-13930	1	PIPE, FUEL	3*5*180L NBR	Sus. by V471-001190	
13		V471-001190	1	PIPE	3*5*180 NBR		
14		131004-06560	1	CAP ASSY,FUEL TANK		Sus. by 131004-55530	
14		131004-56330	1	CAP ASSY, FUEL TANK		Sus. by 131004-55530	
14		131004-55530	1	CAP ASSY, FUEL TANK			

4. Fuel Tank

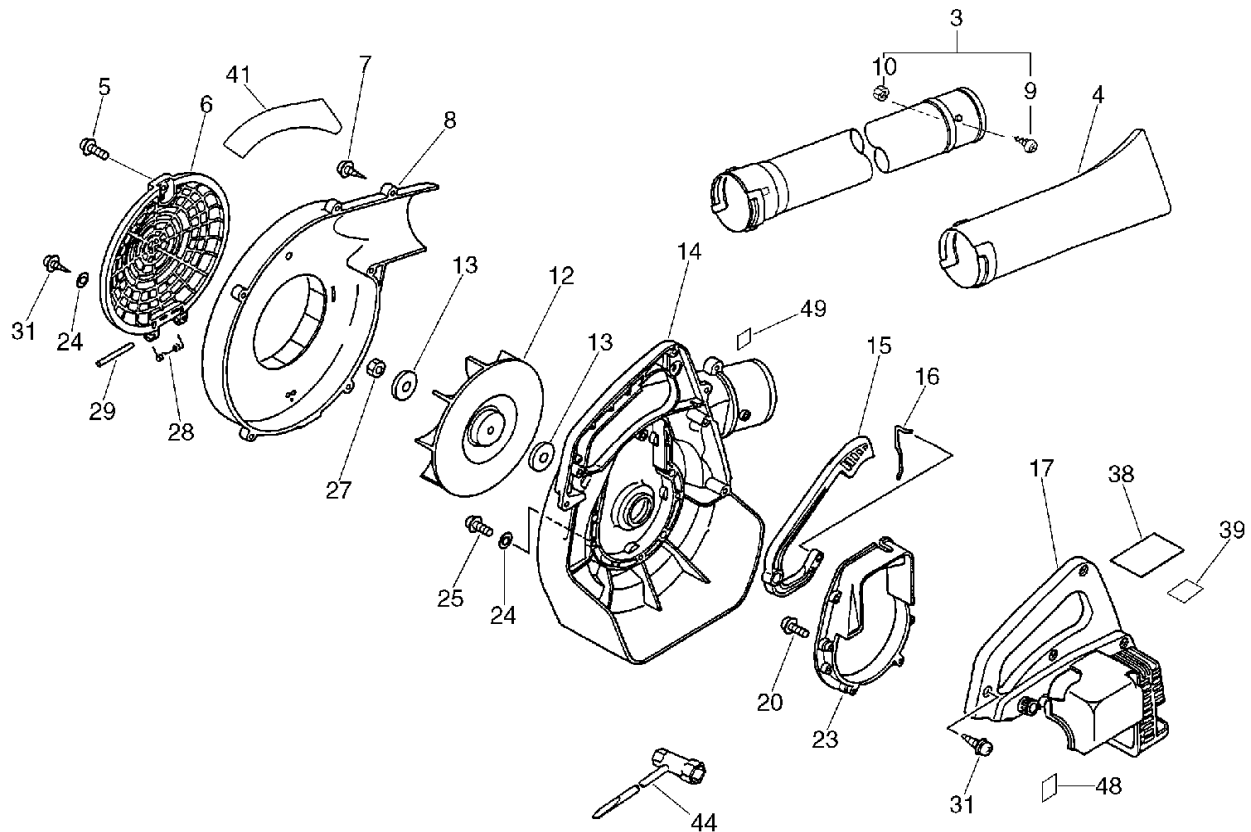
No.4



KEY	LV	PART NUMBER	Q'TY	DESCRIPTION	REMARKS	NOTE1	NOTE2
15	+	131016-40930	1	GASKET, FUEL CAP			Can be used on the 131004-06560 only
15	+	131016-55830	1	GASKET, FUEL CAP			Can be used on the 131004-55530 only
20	+	131051-52430	1	CONNECTOR, CAP	80L		Sus. by 131051-56030
20	+	131051-56030	1	CLIP, FUEL CAP	100L		
17		131005-05760	1	TANK, FUEL WH			Sus. by 131005-05761
17		131005-05761	1	TANK, FUEL			
18		900603-00005	2	WASHER 5	5.5*12*0.8		
19		900238-05016	2	SCREW 5*16	5*16		

5. Fan Case, Blower Pipe, Tool [PB-1000]

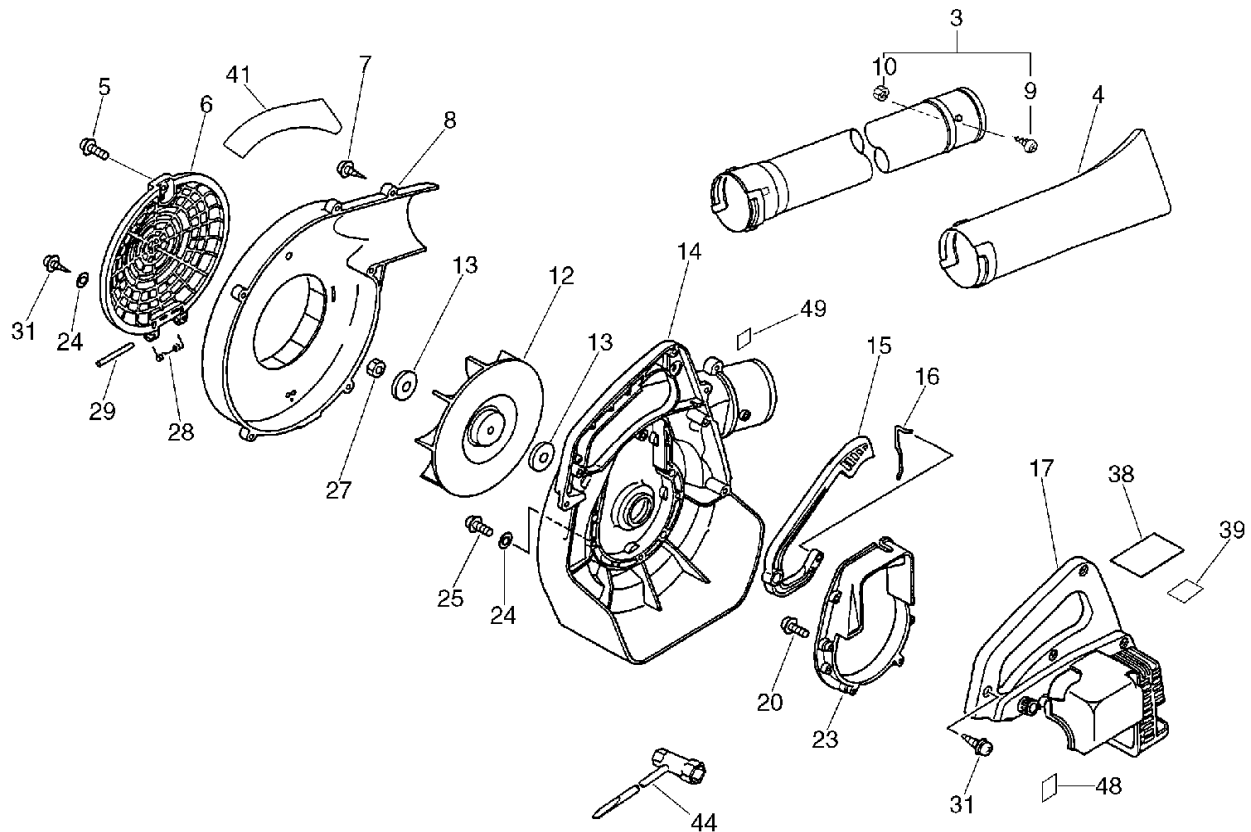
No.5



KEY	LV	PART NUMBER	Q'TY	DESCRIPTION	REMARKS	NOTE1	NOTE2
1		890118-04261	1	LABEL, ECHO		Sus. by 890118-04262	
1		890118-04262	1	LABEL, ECHO	194*44		
3		210015-05060	1	PIPE, STRAIGHT (BL)		Sus. by 210007-20660	
3		210007-20660	1	PIPE,BLOWER		PB-1000	
9	+	900238-05010	1	SCREW 5*10	5*10	PB-1000	
10	+	900500-00005	1	NUT 5	5	PB-1000	
4		210031-05060	1	NOZZLE, FAN HEAD		PB-1000	
5		900238-05018	1	SCREW 5*18	5*18	PB-1000	
6		200124-05061	1	GRID, FAN CAS		PB-1000	
7		900253-05020	6	SCREW 5*20	5*20	PB-1000	
8		200111-08761	1	CASE, FAN		PB-1000	
12		200010-06362	1	FAN		Sus. by 200010-06363	
12		200010-06363	1	FAN		PB-1000	
13		100132-05660	2	WASHER	8.2*30*3.0	PB-1000	
14		200110-06361	1	CASE, FAN		PB-1000	
15		178010-06360	1	CONTROL, THROTTLE		PB-1000	
16		178011-05060	1	ROD, THROTTLE		PB-1000	
17		104008-06360	1	COVER SET, ENGINE		PB-1000	
20		900238-04018	4	SCREW 4*18	4*18	PB-1000	
23		104930-05061	1	BASE, ENGINE		PB-1000	
24		104032-05060	6	WASHER	4.5*15.5*1	PB-1000	
25		900238-04022	5	SCREW 4*22	4*22	Sus. by 900162-04022	

5. Fan Case, Blower Pipe, Tool [PB-1000]

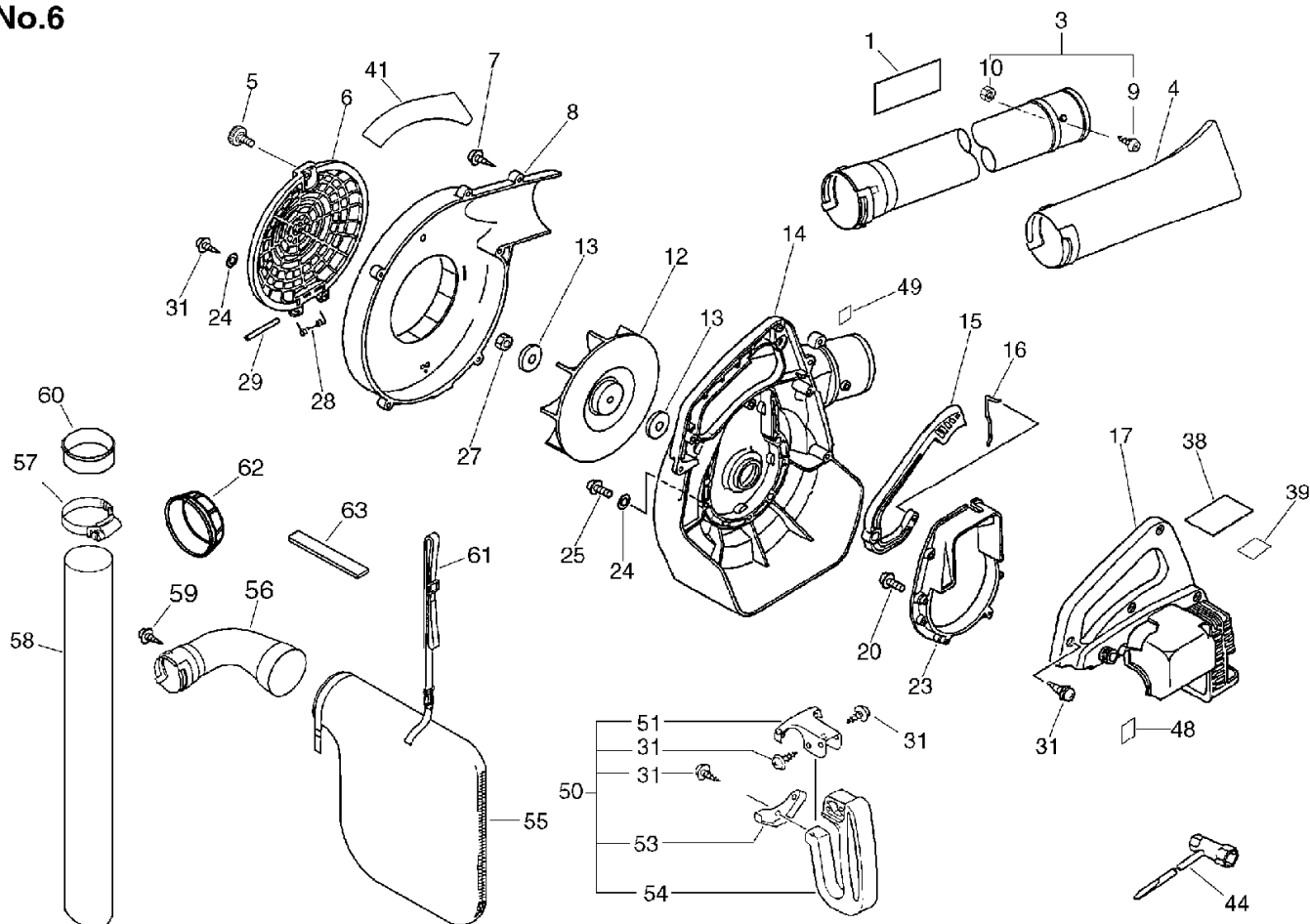
No.5



KEY	LV	PART NUMBER	Q'TY	DESCRIPTION	REMARKS	NOTE1	NOTE2
25		900162-04022	5	BOLT, H.S. 4*22	4*22 W,SW	PB-1000	
27		900500-00008	1	NUT 8	8*P1.25	PB-1000	
28		200152-05060	1	SPRING, GRID		PB-1000	
29		200150-05060	1	SHAFT, GRID		PB-1000	
31		900253-05014	6	SCREW 5*14	5*14	PB-1000	
38		890160-09460	1	LABEL, CAUTION		Sus. by 890160-09461	
38		890160-09461	1	LABEL, CAUTION		PB-1000	
39		890160-06360	1	LABEL, CAUTION		Sus. by 890160-06361	
39		890160-06361	1	LABEL, CAUTION		PB-1000	
41		890118-06360	1	LABEL, MODEL		PB-1000	
44		895410-00430	1	WRENCH, W/S. DRIVER		PB-1000	
48		890348-05060	1	LABEL, SPEED		PB-1000	
49		890157-39130	1	LABEL, SWITCH		Sus. by 890157-06560	
49		890157-06560	1	LABEL, SWITCH		PB-1000	

6. Fan Case, Blower Pipe, Tool [PB-1010]

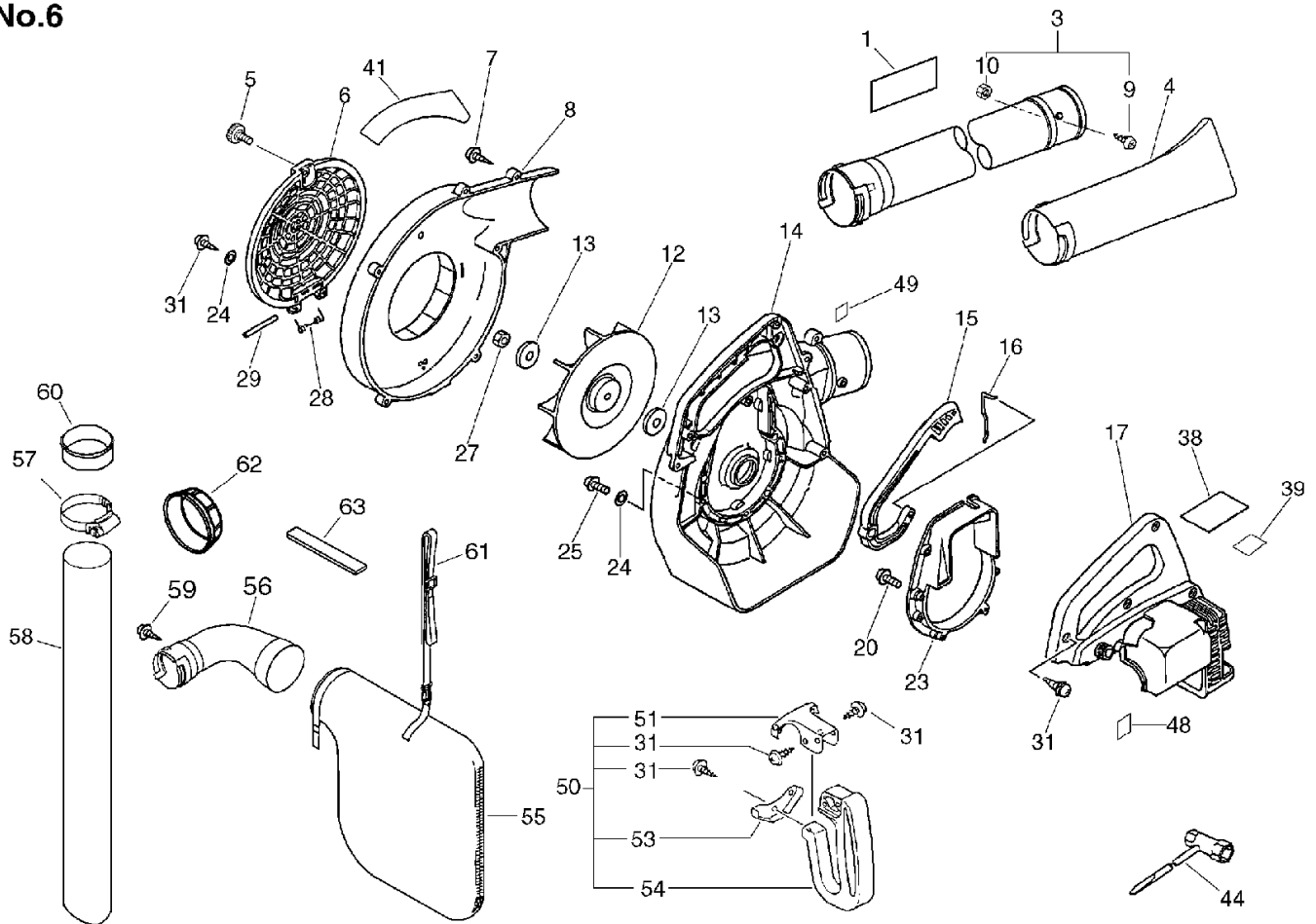
No.6



KEY	LV	PART NUMBER	Q'TY	DESCRIPTION	REMARKS	NOTE1	NOTE2
3		210015-05060	1	PIPE, STRAIGHT (BL)		Sus. by 210007-20660	
3		210007-20660	1	PIPE,BLOWER		PB-1010	
9	+	900238-05010	1	SCREW 5*10	5*10	PB-1010	
10	+	900500-00005	1	NUT 5	5	PB-1010	
4		210031-05060	1	NOZZLE, FAN HEAD		PB-1010	
5		130406-06360	1	KNOB, FASTENER		Sus. by 130406-20660	
5		130406-20660	1	THUMB		PB-1010	
6		200124-05061	1	GRID, FAN CAS		PB-1010	
7		900253-05020	6	SCREW 5*20	5*20	PB-1010	
8		200111-08761	1	CASE, FAN		PB-1010	
12		200010-06362	1	FAN		Sus. by 200010-06363	
12		200010-06363	1	FAN		PB-1010	
13		100132-05660	2	WASHER	8.2*30*3.0	PB-1010	
14		200110-06361	1	CASE, FAN		PB-1010	
15		178010-06360	1	CONTROL, THROTTLE		PB-1010	
16		178011-05060	1	ROD, THROTTLE		PB-1010	
17		104008-06360	1	COVER SET, ENGINE		PB-1010	
20		900238-04018	4	SCREW 4*18	4*18	PB-1010	
23		104930-05061	1	BASE, ENGINE		PB-1010	
24		104032-05060	6	WASHER	4.5*15.5*1	PB-1010	
25		900162-04022	5	BOLT, H.S. 4*22	4*22 W,SW	PB-1010	
27		900500-00008	1	NUT 8	8*P1.25	PB-1010	
28		200152-05060	1	SPRING, GRID		PB-1010	

6. Fan Case, Blower Pipe, Tool [PB-1010]

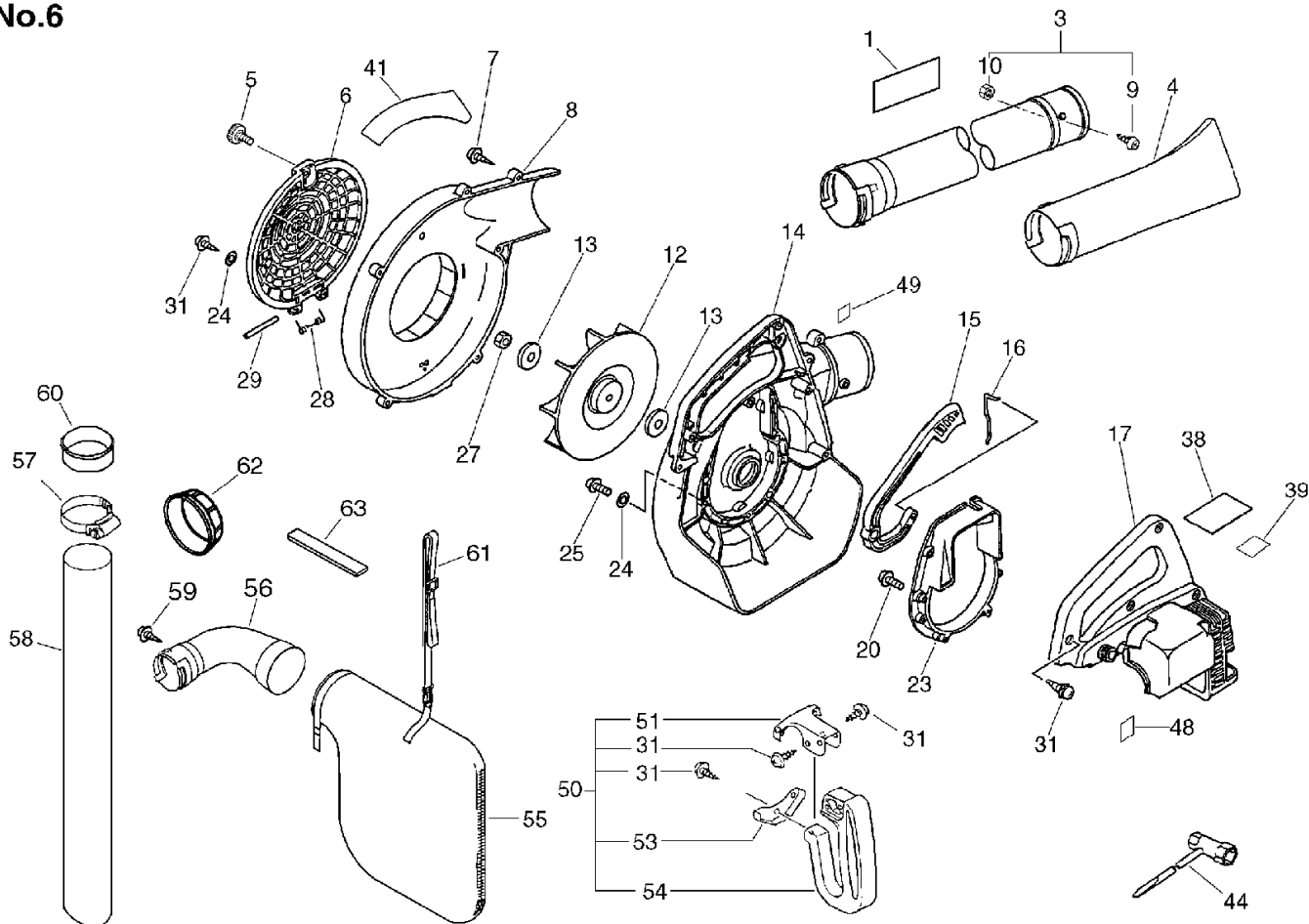
No.6



KEY	LV	PART NUMBER	Q'TY	DESCRIPTION	REMARKS	NOTE1	NOTE2
29		200150-05060	1	SHAFT, GRID		PB-1010	
31		900253-05014	6	SCREW 5*14	5*14	PB-1010	
38		890160-09460	1	LABEL, CAUTION		Sus. by 890160-09461	
38		890160-09461	1	LABEL, CAUTION		PB-1010	
39		890160-06360	1	LABEL, CAUTION		Sus. by 890160-06361	
39		890160-06361	1	LABEL, CAUTION		PB-1010	
41		890151-06360	1	LABEL, MODEL		PB-1010	
44		895410-00430	1	WRENCH, W/S. DRIVER		PB-1010	
48		890348-05060	1	LABEL, SPEED		PB-1010	
49		890157-39130	1	LABEL, SWITCH		Sus. by 890157-06560	
49		890157-06560	1	LABEL, SWITCH		PB-1010	
50		351000-05060	1	HANDLE ASSY, REAR		PB-1010	
31	+	900253-05014	3	SCREW 5*14	5*14	PB-1010	
51	+	351011-05060	1	SUPPORTER HANDLE		PB-1010	
53	+	351028-05060	1	SUPPORTER, HANDLE		PB-1010	
54	+	351010-05060	1	HANDLE (BL)		PB-1010	
55		880814-05060	1	BAG, DUST		Sr/Nr 443791 and before	
55		880814-09460	1	BAG, DUST(W/HARNESS)		Sus. by X692-000020	
55		X692-000020	1	BAG,DUST		Sr/Nr 443792 and after	

6. Fan Case, Blower Pipe, Tool [PB-1010]

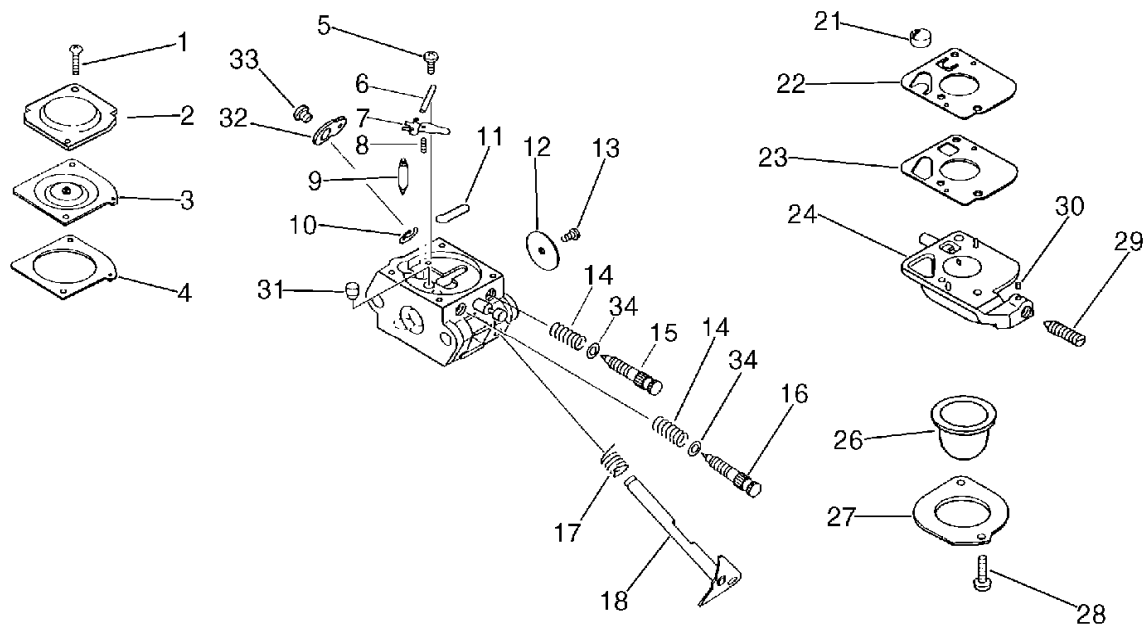
No.6



KEY	LV	PART NUMBER	Q'TY	DESCRIPTION	REMARKS	NOTE1	NOTE2
56		215012-05060	1	CONNECTOR (BL)		Sus. by 215012-20110	
56		215012-20110	1	PIPE,MAIN		PB-1010	
57		210413-05060	1	CLAMP, FLEXIBLE PIPE		PB-1010	
58		210027-06562	1	PIPE, SUCTION	115*880	PB-1010	
59		900256-05010	1	SCREW, TAPPING		PB-1010	
60		385155-09660	1	SLEEVE		OPTION	
61		301005-05060	1	HARNESS		Sr/Nr 443791 and before	
62		215013-01961	1	RING (BL)		Sr/Nr 368137 and before	
63		880850-05060	1	TAPE, MAGIC		Sr/Nr 368138 to 443791	

7. Carburetor

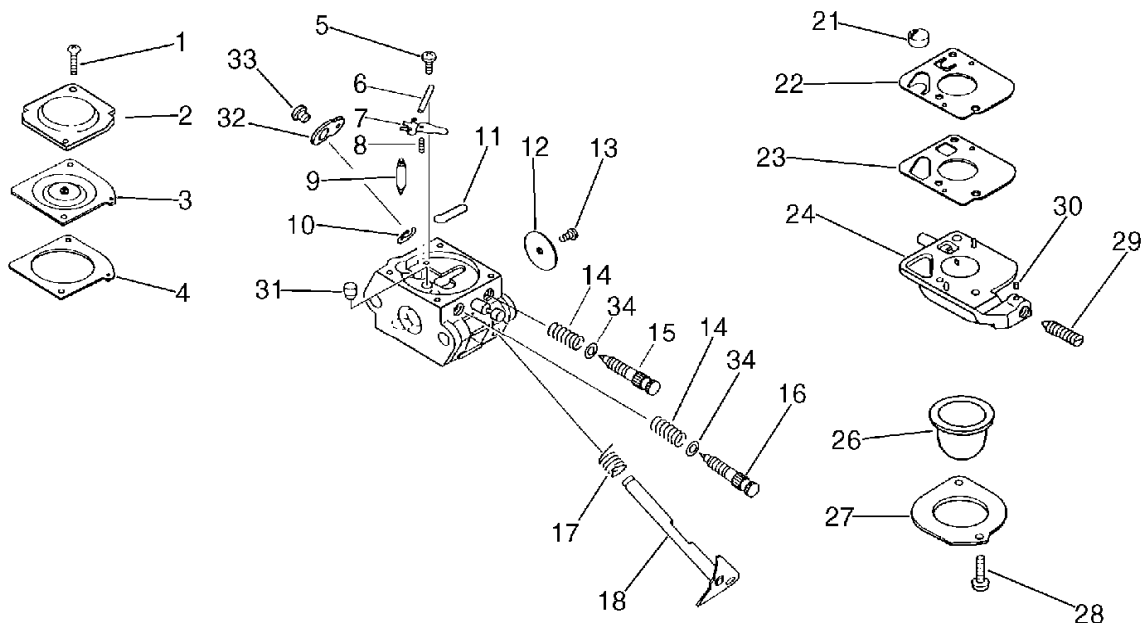
No.7



KEY	LV	PART NUMBER	Q'TY	DESCRIPTION	REMARKS	NOTE1	NOTE2
		125200-06861	1	CARBURETOR ASSY	C1U-K26B	Sus. by 125200-06862	
		125200-06862	1	CARBURETOR	C1U-K26B		
1	+	125344-52130	2	SCREW			
2	+	125342-52130	1	COVER, DIAPHRAGM		Sus. by 125342-13210	
2	+	125342-13210	1	COVER, DIAPHRAGM			
3	+	125341-42030	1	DIAPHRAGM			
4	+	125340-42030	1	GASKET, DIAPHRAGM			
5	+	125339-42030	1	SCREW			
6	+	125338-13930	1	PIN, METERING ARM			
7	+	125323-42030	1	LEVER, METERING			
8	+	125322-07260	1	SPRING, COIL			
9	+	125337-06960	1	VALVE, INLET NEEDLE			
10	+	125327-13930	1	CLIP			
11	+	125345-15130	1	PLUG, WELCH			
12	+	125316-42030	1	VALVE, THROTTLE			
13	+	125314-13930	1	SCREW	3*4		
14	+	125319-42030	2	SPRING, COIL			
15	+	125318-42030	1	NEEDLE, IDLE			
16	+	125320-06860	1	NEEDLE, HIGH SPEED			
17	+	125313-42030	1	SPRING, THRT. RETURN			
18	+	125317-06860	1	SHAFT, THROTTLE			
21	+	125326-42030	1	STRAINER			
22	+	125312-42030	1	DIAPHRAGM, FUEL PUMP			

7. Carburetor

No.7



KEY	LV	PART NUMBER	Q'TY	DESCRIPTION	REMARKS	NOTE1	NOTE2
23	+	125325-42030	1	GASKET, FUEL PUMP		Sus. by 125325-13310	
23	+	125325-13310	1	GASKET, PUMP			
24	+	125324-11610	1	COVER, PUMP		Sus. by P005-000990	
24	+	125383-13310	1	BASE, PRIMER		Sus. by P005-000990	
24	+	P005-000990	1	BASE, PRIMER			
26	+	125381-46730	1	PUMP, PRIMING		Sus. by 125381-08660	
26	+	125381-08660	1	PUMP, PRIMING			
27	+	125363-11610	1	RING			
28	+	125310-11610	2	SCREW			
29	+	125334-06860	1	SCREW, IDLE ADJUST			
30	+	125378-13930	1	PIECE, FRICTION			
31	+	125376-06360	1	NOZZLE, CHECK VALVE		Sus. by P005-001030	
31	+	P005-001030	1	NOZZLE, CHECK VALVE			
32	+	125350-05060	1	LEVER, THROTTLE			
33	+	125348-13930	1	SCREW			
		125303-42030	1	GASKET/DIAPHRAGM KIT			
		125300-06860	1	REBUILD KIT			

8. Repair Kit

KEY	LV	PART NUMBER	Q'TY	DESCRIPTION	REMARKS	NOTE1	NOTE2
		125303-42030	1	GASKET/DIAPHRAGM KIT			
7-3	+	125341-42030	1	DIAPHRAGM			
7-4	+	125340-42030	1	GASKET, DIAPHRAGM			
7-22	+	125312-42030	1	DIAPHRAGM, FUEL PUMP			
7-23	+	125325-42030	1	GASKET, FUEL PUMP		Sus. by 125325-13310	
7-23	+	125325-13310	1	GASKET, PUMP			
		125300-06860	1	REBUILD KIT			
7-3	+	125341-42030	1	DIAPHRAGM			
7-4	+	125340-42030	1	GASKET, DIAPHRAGM			
7-6	+	125338-13930	1	PIN, METERING ARM			
7-7	+	125323-42030	1	LEVER, METERING			
7-8	+	125322-07260	1	SPRING, COIL			
7-9	+	125337-06960	1	VALVE, INLET NEEDLE			
7-11	+	125345-15130	1	PLUG, WELCH			
7-21	+	125326-42030	1	STRAINER			
7-22	+	125312-42030	1	DIAPHRAGM, FUEL PUMP			
7-23	+	125325-42030	1	GASKET, FUEL PUMP		Sus. by 125325-13310	
7-23	+	125325-13310	1	GASKET, PUMP			

Index

Patrs Number	Key No.	Patrs Number	Key No.	Patrs Number	Key No.
100000-44330	1 - 4	125323-42030	8 - 7-7	130313-06563	3 - 19
100000-44331	1 - 4	125324-11610	7 - 24	130406-06360	6 - 5
100011-05330	1 - 5	125325-13310	7 - 23	130406-20660	6 - 5
100012-51230	1 - 10	125325-13310	8 - 7-23	131004-06560	4 - 14
100013-11520	1 - 6	125325-13310	8 - 7-23	131004-55530	4 - 14
100014-11520	1 - 8	125325-42030	7 - 23	131004-56330	4 - 14
100015-04630	1 - 7	125325-42030	8 - 7-23	131005-05760	4 - 17
100100-44732	1 - 9	125325-42030	8 - 7-23	131005-05761	4 - 17
100100-44733	1 - 9	125326-42030	7 - 21	131016-40930	4 - 15
100132-05660	5 - 13	125326-42030	8 - 7-21	131016-55830	4 - 15
100132-05660	6 - 13	125327-13930	7 - 10	131051-52430	4 - 20
100204-51030	1 - 11	125334-06860	7 - 29	131051-56030	4 - 20
100204-51031	1 - 11	125337-06960	7 - 9	131205-07320	4 - 12
100212-42030	1 - 12	125337-06960	8 - 7-9	131300-40630	4 - 6
100212-42031	1 - 12	125338-13930	7 - 6	131300-56430	4 - 6
100215-03930	1 - 13	125338-13930	8 - 7-6	131312-39130	4 - 9
100242-42030	1 - 15	125339-42030	7 - 5	131328-40630	4 - 7
101010-44331	1 - 3	125340-42030	7 - 4	132010-13930	4 - 13
101010-44332	1 - 3	125340-42030	8 - 7-4	132010-56330	4 - 5
101011-45230	1 - 1	125340-42030	8 - 7-4	132012-51030	4 - 5
101531-54330	2 - 28	125341-42030	7 - 3	132013-05060	4 - 8
104008-06360	5 - 17	125341-42030	8 - 7-3	132013-09820	4 - 11
104008-06360	6 - 17	125341-42030	8 - 7-3	132115-46730	4 - 10
104032-05060	5 - 24	125342-13210	7 - 2	145510-42031	3 - 30
104032-05060	6 - 24	125342-52130	7 - 2	145802-05062	3 - 28
104930-05061	5 - 23	125344-52130	7 - 1	145802-05063	3 - 28
104930-05061	6 - 23	125345-15130	7 - 11	145866-42031	3 - 32
125200-06861	3 - 10	125345-15130	8 - 7-11	145871-05760	3 - 29
125200-06861	7 -	125348-13930	7 - 33	145876-05060	3 - 34
125200-06862	3 - 10	125350-05060	7 - 32	145876-05061	3 - 34
125200-06862	7 -	125363-11610	7 - 27	145876-42030	3 - 33
125300-06860	7 -	125376-06360	7 - 31	150112-05060	2 - 14
125300-06860	8 -	125378-13930	7 - 30	156611-05060	2 - 23
125303-42030	7 -	125381-08660	7 - 26	158626-06360	2 - 24
125303-42030	8 -	125381-46730	7 - 26	158626-06361	2 - 24
125310-11610	7 - 28	125383-13310	7 - 24	158800-06360	2 - 27
125312-42030	7 - 22	129011-05060	3 - 16	158800-20560	2 - 27
125312-42030	8 - 7-22	129011-06360	3 - 16	159011-03432	2 - 21
125312-42030	8 - 7-22	129011-06361	3 - 16	159012-03433	2 - 22
125313-42030	7 - 17	130010-05062	3 - 5	159017-10230	2 - 20
125314-13930	7 - 13	130016-42031	3 - 9	162010-05060	2 - 16
125316-42030	7 - 12	130016-42031	3 - 9	162010-06861	2 - 17
125317-06860	7 - 18	130017-05061	3 - 7	163400-03460	2 - 15
125318-42030	7 - 15	130017-05062	3 - 7	177200-42032	2 - 3
125319-42030	7 - 14	130307-06561	3 - 14	177200-42033	2 - 3
125320-06860	7 - 16	130310-06560	3 - 18	177202-44330	2 - 11
125322-07260	7 - 8	130310-54130	3 - 18	177202-44331	2 - 11
125322-07260	8 - 7-8	130313-06560	3 - 19	177215-42030	2 - 6
125323-42030	7 - 7	130313-06561	3 - 19	177215-44430	2 - 6

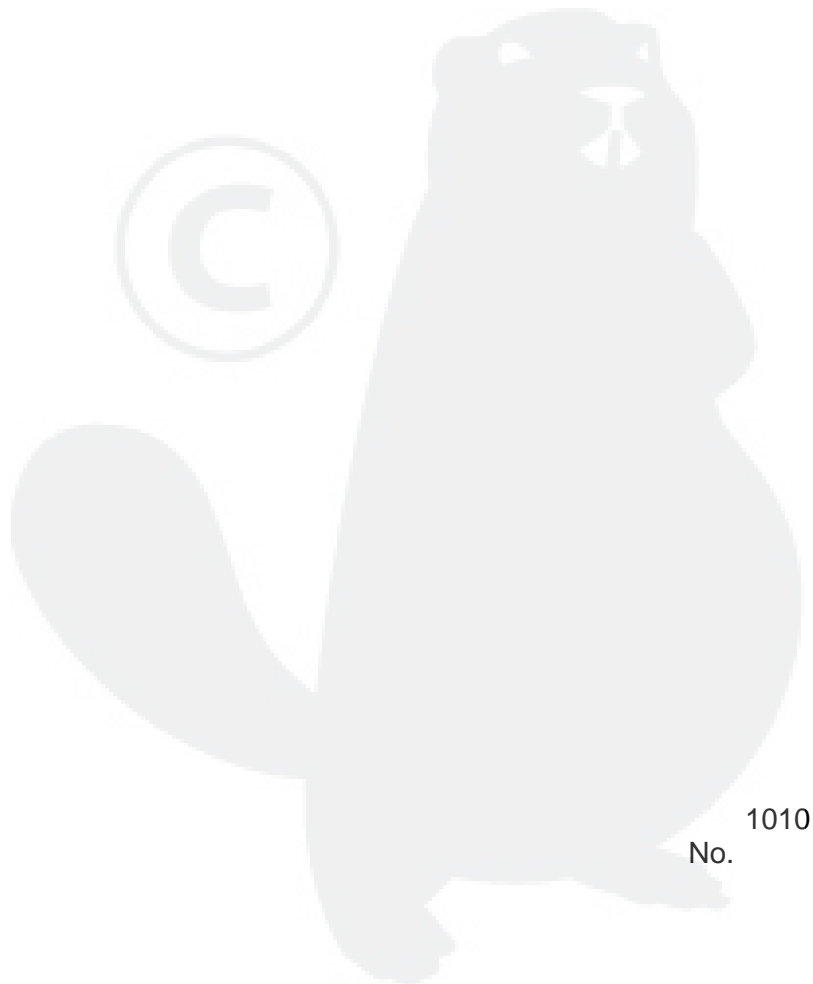
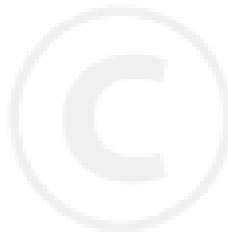
Index

Patrs Number	Key No.	Patrs Number	Key No.	Patrs Number	Key No.
177218-44330	2 - 12	890118-04262	5 - 1	900500-00008	6 - 27
177220-42030	2 - 5	890118-06360	5 - 41	900528-00005	3 - 20
177226-10120	2 - 8	890118-49130	2 - 1	900600-00005	3 - 37
177227-42030	2 - 9	890121-05360	3 - 21	900603-00005	4 - 18
177228-06530	2 - 10	890151-06360	6 - 41	900810-36201	1 - 14
177234-12220	2 - 13	890157-06560	5 - 49	94035-36201	1 - 14
177234-42030	2 - 13	890157-06560	6 - 49	A356-000030	4 - 6
177236-44330	2 - 7	890157-39130	5 - 49	P005-000990	7 - 24
178010-06360	5 - 15	890157-39130	6 - 49	P005-001030	7 - 31
178010-06360	6 - 15	890160-06360	5 - 39	P021-002921	3 - 14
178011-05060	5 - 16	890160-06360	6 - 39	V103-000111	3 - 9
178011-05060	6 - 16	890160-06361	5 - 39	V104-000160	3 - 30
200010-06362	5 - 12	890160-06361	6 - 39	V137-000030	4 - 10
200010-06362	6 - 12	890160-09460	5 - 38	V471-001190	4 - 13
200010-06363	5 - 12	890160-09460	6 - 38	V471-001200	4 - 9
200010-06363	6 - 12	890160-09461	5 - 38	V553-000030	1 - 10
200011-05661	2 - 26	890160-09461	6 - 38	X692-000020	6 - 55
200110-06361	5 - 14	890348-05060	5 - 48		
200110-06361	6 - 14	890348-05060	6 - 48		
200111-08761	5 - 8	895410-00430	5 - 44		
200111-08761	6 - 8	895410-00430	6 - 44		
200124-05061	5 - 6	900105-05055	3 - 36		
200124-05061	6 - 6	900162-04018	2 - 2		
200150-05060	5 - 29	900162-04022	2 - 25		
200150-05060	6 - 29	900162-04022	5 - 25		
200152-05060	5 - 28	900162-04022	6 - 25		
200152-05060	6 - 28	900162-05022	1 - 2		
210007-20660	5 - 3	900162-05028	1 - 16		
210007-20660	6 - 3	900238-04018	2 - 2		
210015-05060	5 - 3	900238-04018	5 - 20		
210015-05060	6 - 3	900238-04018	6 - 20		
210027-06562	6 - 58	900238-04022	5 - 25		
210031-05060	5 - 4	900238-05010	5 - 9		
210031-05060	6 - 4	900238-05010	6 - 9		
210413-05060	6 - 57	900238-05016	4 - 19		
210417-52730	3 - 20	900238-05018	5 - 5		
215012-05060	6 - 56	900238-05022	3 - 8		
215012-20110	6 - 56	900242-04010	3 - 35		
215013-01961	6 - 62	900242-05065	3 - 17		
301005-05060	6 - 61	900253-05014	5 - 31		
351000-05060	6 - 50	900253-05014	6 - 31		
351010-05060	6 - 54	900253-05014	6 - 31		
351011-05060	6 - 51	900253-05020	5 - 7		
351028-05060	6 - 53	900253-05020	6 - 7		
385155-09660	6 - 60	900256-05010	6 - 59		
880814-05060	6 - 55	900500-00005	3 - 6		
880814-09460	6 - 55	900500-00005	5 - 10		
880850-05060	6 - 63	900500-00005	6 - 10		
890118-04261	5 - 1	900500-00008	5 - 27		

YAMABIKO CORPORATION

7-2 SUEHIROCHO 1-CHOME, OHME, TOKYO 198-8760, JAPAN
PHONE: 81-428-32-6118. FAX: 81-428-32-6145.

ECHO[®]



1010
No.