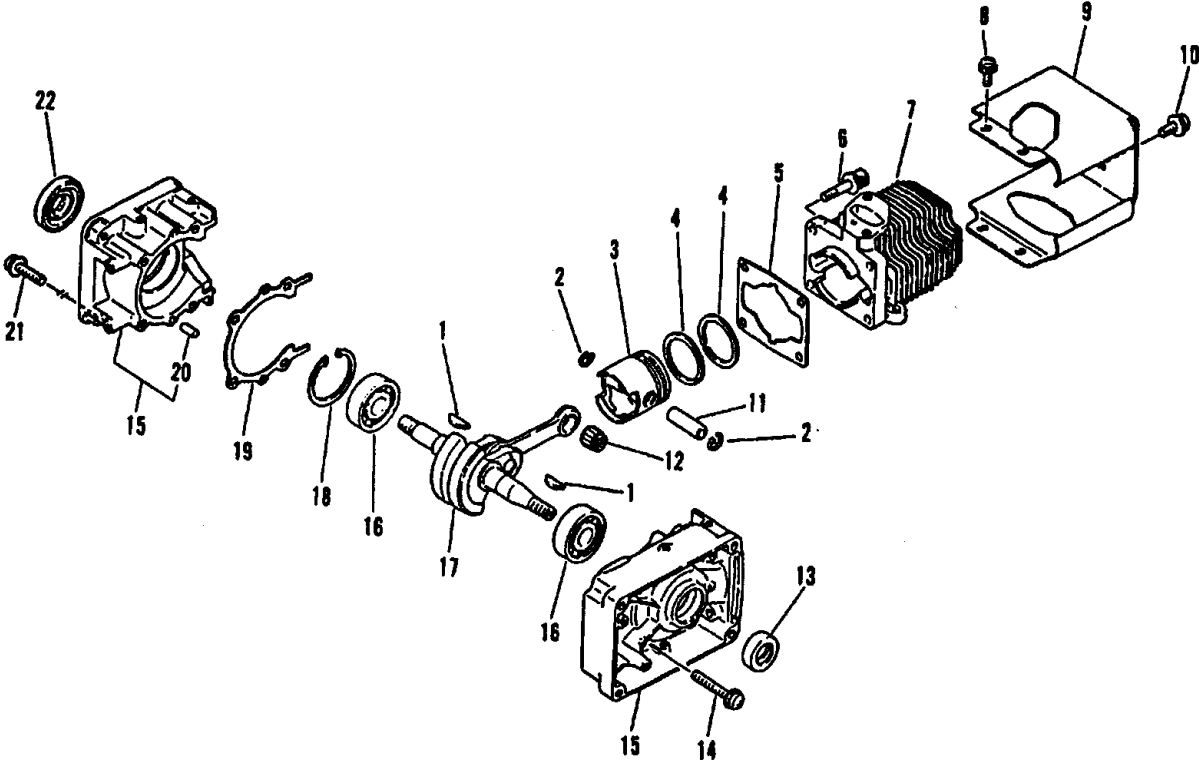




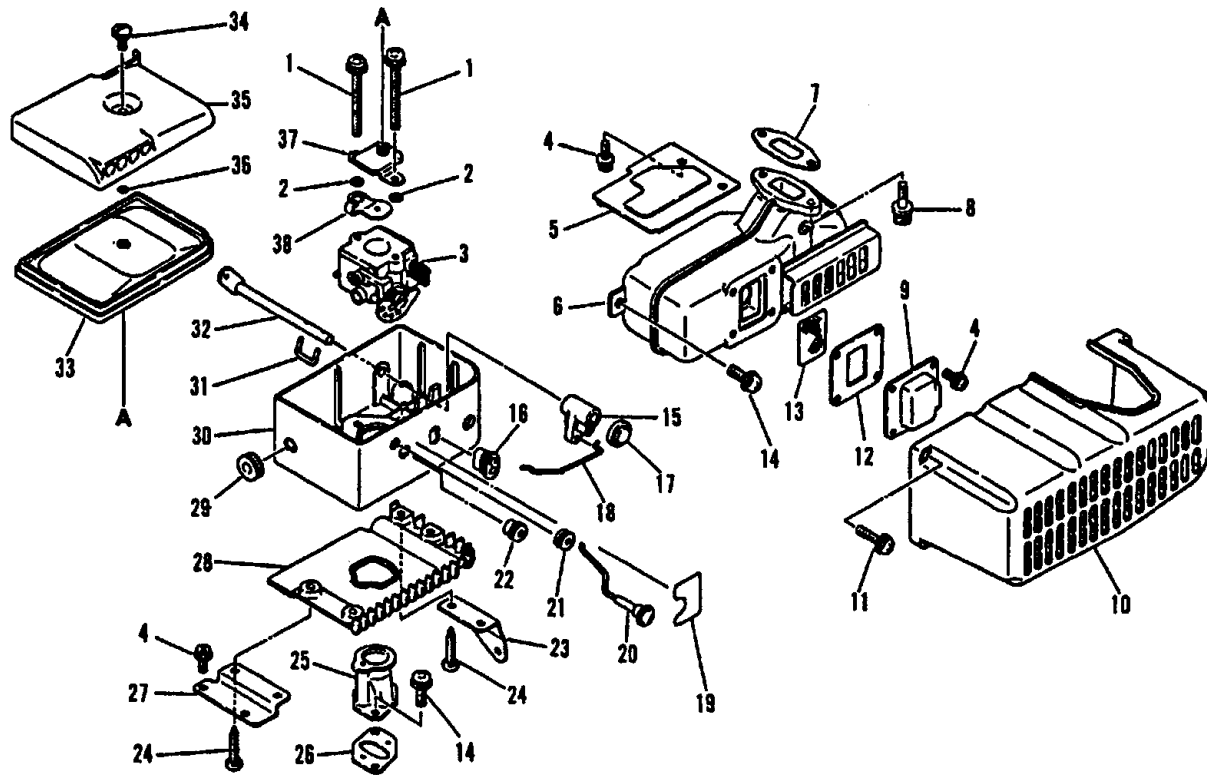
**POWER BLOWER
PARTS CATALOG
MODEL PB-210E
SERIAL NUMBER 001001 & UP**

**ECHO, INCORPORATED
400 OAKWOOD ROAD
LAKE ZURICH, IL 60047**

**99922201999
10/96**



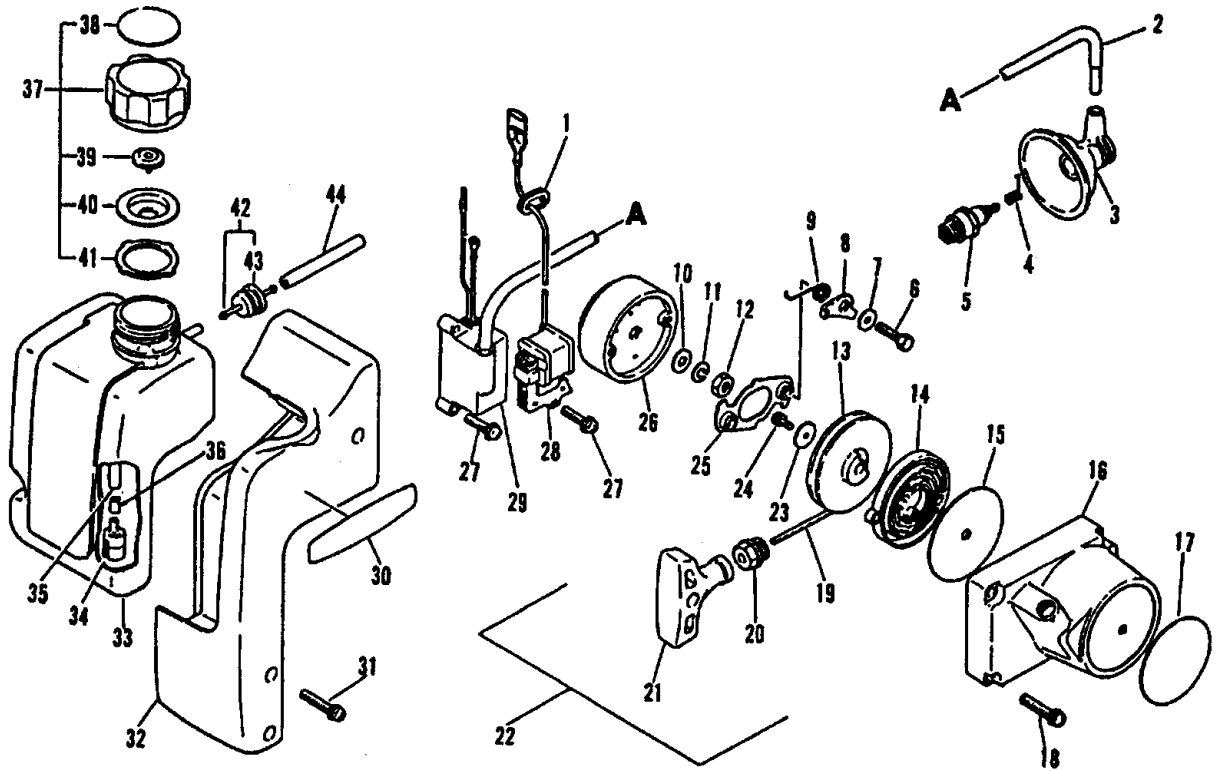
KEY	PARTNUMBER	QTY	DESCRIPTION	REMARKS
1	90032203014	2	KEY, WOODRUFF	
2	10001504630	2	CIRCLIP, PISTON PIN	
3	10001003360	1	PISTON	
4	10001105530	2	RING, PISTON	
5	10101003361	1	GASKET, CYLINDER BASE	INCLUDED IN KIT 88900003361
6	90016205020	4	BOLT, H.S. 5X20	
7	10101103360	1	CYLINDER	
8	90024204010	4	SCREW 4X10	
9	10151403360	1	COVER, CYLINDER	
10	90024205010	1	SCREW 5X10	
11	10001303360	1	PIN, PISTON	
12	10001221230	1	BEARING, NEEDLE	
13	10021305530	1	OILSEAL	
14	90024205030	4	SCREW 5X30	
15	10020003360	1	CRANKCASE SET	INCLUDES ITEMS 20
16	90081036201	2	BEARING, BALL 6201	
17	10010003360	1	CRANKSHAFT	
18	90070200032	1	CIRCLIP 32	
19	_____	1	GASKET, CRANKCASE	INCLUDED IN KIT 88900003361
20	10021503930	2	PIN, DOWEL	
21	90024205020	4	SCREW 5X20	
22	10021203930	1	OILSEAL	
	88900003361	1	GASKET KIT	INCLUDES THE FOLLOWING
	10101003361	1	GASKET, CYLINDER BASE	
	_____	1	GASKET, CRANKCASE	
	13001003361	1	GASKET, INTAKE	
	14551003361	1	GASKET, MUFFLER	



INTAKE, AIR CLEANER, EXHAUST

PB-210E

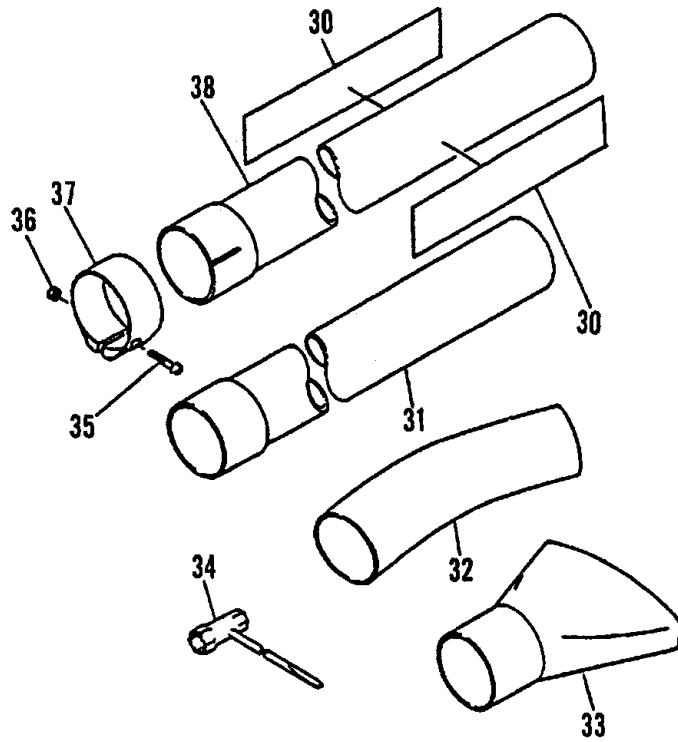
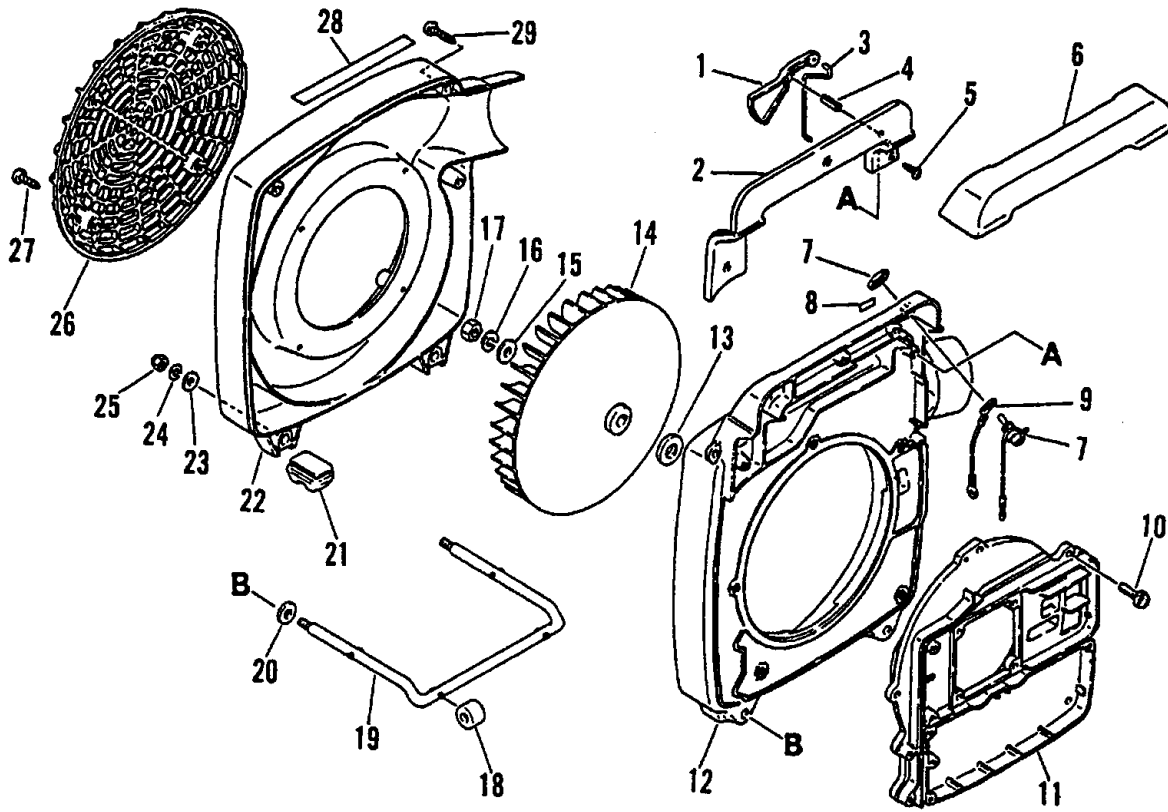
KEY	PARTNUMBER	QTY	DESCRIPTION	REMARKS
1	90024205045	2	SCREW 5X45	
2	17851600830	2	WASHER	
3	12300003360	1	CARBURETORWA-157	
4	90024204010	8	SCREW 4X10	
5	10027003360	1	INSULATOR	
6	14585803360	1	MUFFLER	
7	14551003361	1	GASKET, MUFFLER	INCLUDED IN KIT 88900003361
8	90016205016	2	BOLT, H.S. 5X16	
9	14580903360	1	LID, MUFFLER	
10	14590603360	1	COVER, MUFFLER	
11	90024205020	3	SCREW 5X20	
12	14586603361	1	GASKET, MUFFLER LID	
13	14586209520	1	SCREEN, MUFFLER	
14	90024205014	3	SCREW 5X14	
15	17801703360	1	ARM, THROTTLE LEVER	
16	12901003361	1	GROMMET	
17	17811403360	1	HOLDER, THROTTLE LEVER	
18	17804603360	1	ROD, THROTTLE	
19	89015803360	1	LABEL	
20	17851003360	1	ROD, CHOKE	
21	17881003930	1	BUSHING, RUBBER	
22	12902303360	1	GROMMET	
23	13043103360	1	BRACKET	
24	90024905025	4	SCREW 5X25	
25	13051003360	1	ADAPTER, INTAKE	
26	13001003361	1	GASKET	
27	13042903360	1	BRACKET	
28	13035503360	1	INSULATOR	
29	12902311130	1	GROMMET	
30	13030603361	1	CASE, CARBURETOR	
31	17803203360	1	CONNECTOR, THROTTLE	
32	17812403360	1	SHAFT, THROTTLE	
33	13031003360	1	FILTER, AIR	
34	13041522130	1	SCREW	
35	13031303360	1	COVER, AIR CLEANER	
36	90072000003	1	O-RING	
37	13040522130	1	BRACKET, AIR CLEANER	
38	17851522130	1	SHUTTER, CHOKE	



IGNITION/FUEL SYSTEM/STARTER

PB-210E

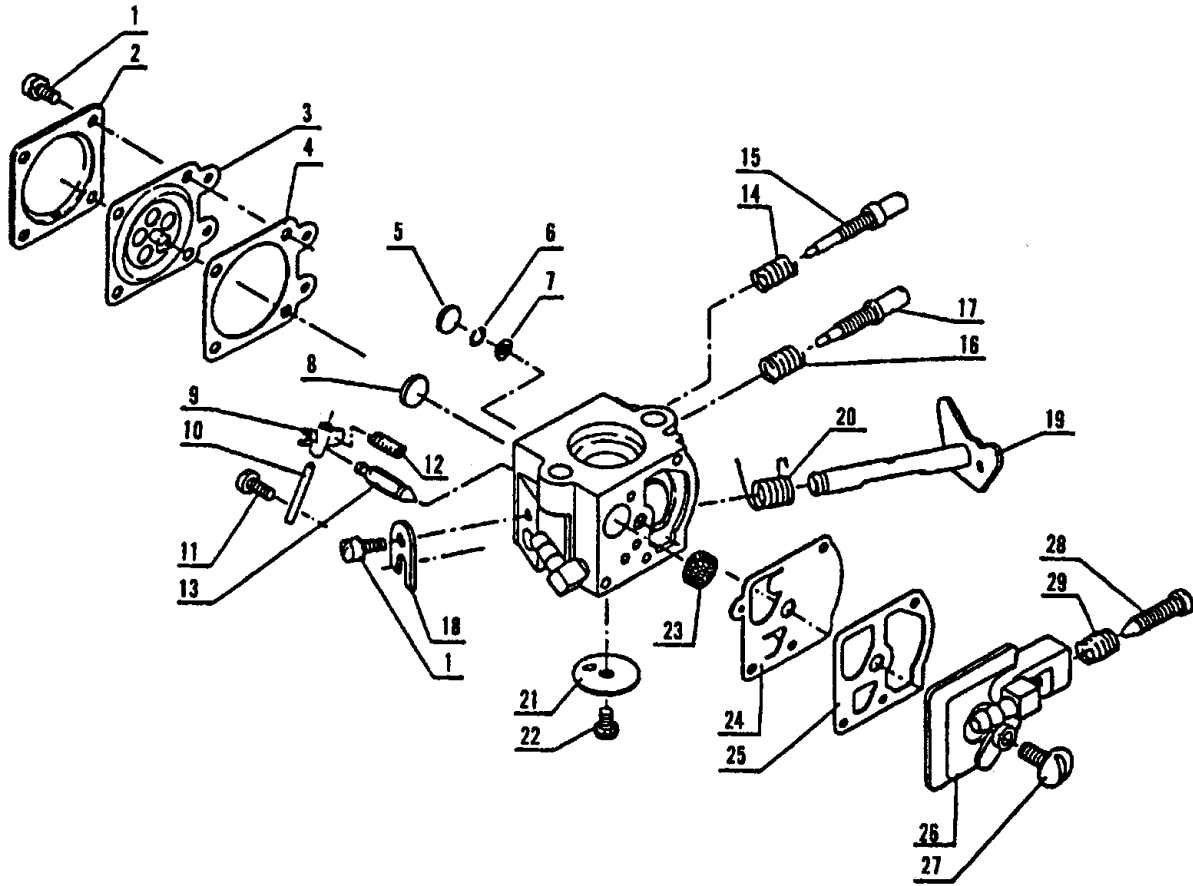
KEY	PARTNUMBER	QTY	DESCRIPTION	REMARKS
1	15611403360	1	GROMMET	
2	15661103360	1	TUBE	
3	15901203360	1	CAP, SPARK PLUG	
4	15901103432	1	COIL, PLUG CAP	
5	15901010630	1	PLUG, SPARK BPM-7A	
6	90010005020	2	BOLT 5X20	
7	90060300005	2	WASHER 5	
8	17721804920	2	CATCHER, PAWL	
9	17723404920	2	SPRING, RETURN	
10	90060000008	1	WASHER 8	
11	90060500008	1	WASHER, SPRING 8	
12	90050200008	1	NUT 8	
13	17721504920	1	DRUM, STARTER	
14	17722006530	1	SPRING, REWIND	
15	17722116530	1	PLATE	
16	17720903360	1	CASE, STARTER	
17	89011217832	1	LABEL, ECHO	
18	90024205025	4	SCREW 5X25	
19	_____	1	ROPE, STARTER	USE BULK ROPE 99944400040 DIA. 3.0 MM (.12 IN.) LENGTH 850 MM (33.5 IN.)
20	17722705020	1	GUIDE, ROPE	
21	17722806530	1	GRIP, STARTER	
22	17720003360	1	STARTER ASY	INCLUDES ITEMS 13 - 16, 19 - 21, 23 & 24
23	17721404630	1	WASHER	
24	90024204010	1	SCREW 4X10	
25	17730703360	1	HOLDER, PAWL	
26	15680003360	1	FLYWHEEL	
27	90024204020	4	SCREW 4X20	
28	15662703360	1	COIL, EXCITE	
29	15660103360	1	MODULE, C.D.I.	
30	89013844330	1	LABEL, ECHO	
31	90024204025	3	SCREW 4X25	
32	13191003360	1	BRACKET, FUEL TANK	
33	13101003360	1	TANK, FUEL	
34	13120507320	1	STRAINER, FUEL	
35	13201003360	1	PIPE, FUEL	
36	13200115030	1	VALVE	
37	13160003360	1	CAP ASY, FUEL TANK	INCLUDES ITEMS 38 - 41
38	89015412730	1	LABEL, FUEL MIX	
39	13131406320	1	VALVE, CHECK	
40	13101521330	1	HOLDER, CHECK VALVE	
41	13101621230	1	GASKET, CAP	
42	13200503360	1	CONNECTOR, FUEL PIPE	INCLUDES ITEM 43
43	13211521330	1	GROMMET	
44	13201203360	1	PIPE, FUEL	



KEY	PARTNUMBER	QTY	DESCRIPTION	REMARKS
1	17801003360	1	CONTROL, THROTTLE	
2	20014103360	1	HANDLE	
3	17801103360	1	ROD, THROTTLE	
4	90034050018	1	PIN, SPRING 5X18	
5	90024604016	3	SCREW 4X16	
*6	35111103361	1	GRIP, HANDLE	
7	16340003360	1	SWITCH, IGNITION	
8	89015711130	1	LABEL	
9	16201003360	1	LEAD	
10	90023805020	5	SCREW 5X20	
11	10493003360	1	BRACKET, ENGINE	
**12	20010703361	1	CASE, FAN	
13	10013203360	1	WASHER	
14	20001003360	1	FAN	
15	90060000008	1	WASHER 8	
16	90060500008	1	WASHER, SPRING 8	
17	90050000008	1	NUT 8	
18	30512103360	2	CUSHION	
19	30511003360	1	STAND	
20	30511803360	2	WASHER	
21	30511703360	2	CUSHION	
22	20011003360	1	CASE, FAN	
23	90060200006	2	WASHER 6	
24	90060500006	2	WASHER, SPRING 6	
25	90054200006	2	NUT, CAP 6	
26	20012403360	1	GRID, FAN CASE	
27	90024905020	4	SCREW 5X20	
28	89011503360	1	LABEL, MODEL	
29	90024905025	3	SCREW	
30	89011804261	2	LABEL, ECHO	
31	21001501060	1	PIPE, STRAIGHT	
32	21002301060	1	PIPE, CURVED	
33	21003101060	1	NOZZLE, FAN HEAD	
34	89541002830	1	WRENCH W/SCREWDRIVER	
35	90022004025	2	SCREW 4X25	
36	90050000004	2	NUT 4	
37	21040003360	1	CLAMP	INCLUDES ITEMS 35 & 36
38	21000103362	1	PIPE, STRAIGHT	INCLUDES ITEM 30

* EARLY PB-210E MODELS UTILIZED A HANDLE GRIP WITHOUT BOTTOM TABS. ORDER PART NUMBER 35111103360 FOR CORRECT GRIP.

** WHEN INSTALLING THE FAN CASE PART NUMBER 20010703361 ONTO EARLY MODELS USING HANDLE GRIPS WITHOUT BOTTOM TABS, ORDER CURRENT HANDLE GRIP PART NUMBER 35111103361 FOR THE CORRECT GRIP.



CARBURETOR

PB-210E

KEY	PARTNUMBER	QTY	DESCRIPTION	REMARKS
	12300003360	1	CARBURETOR ASY WA-157	INCLUDES THE FOLLOWING
1	A	5	SCREW	
2	12314203930	1	COVER, METERING DIAPHRAGM	
3	A B	1	DIAPHRAGM, METERING	
4	A B	1	GASKET, METERING DIAPHRAGM	
5	A	1	PLUG, WELCH	
6	A	1	RING, SCREEN RETAINING	
7	A	1	SCREEN, CHECK VALVE	
8	A	1	PLUG, WELCH	
9	A	1	LEVER, METERING	
10	A	1	PIN, METERING LEVER	
11	A	1	SCREW	
12	A	1	SPRING, METERING LEVER	
13	A	1	VALVE, INLET NEEDLE	
14	A	1	SPRING, NEEDLE ADJUST	
15	12312006720	1	NEEDLE, HIGH SPEED	
16	A	1	SPRING, NEEDLE ADJUST	
17	12311824430	1	NEEDLE, IDLE	
18	12312703930	1	CLIP	
19	12311711230	1	SHAFT, THROTTLE	
20	12311303930	1	SPRING, THROTTLE RETURN	
21	12311605230	1	VALVE, THROTTLE	
22	12311403930	1	SCREW, SHUTTER	
23	A	1	SCREEN, INLET	
24	A B	1	DIAPHRAGM, FUEL PUMP	
25	A B	1	GASKET, FUEL PUMP	
26	12312416530	1	COVER, FUEL PUMP	
27	12311003930	1	SCREW, PUMP COVER	
28	12313411130	1	SCREW, IDLE ADJUST	
29	12313311130	1	SPRING, IDLE ADJUST	
A	12310016330	1	REPAIR KIT	
B	12310110530	1	DIAPHRAGM/GASKET KIT	