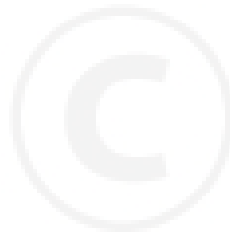




PARTS CATALOGUE

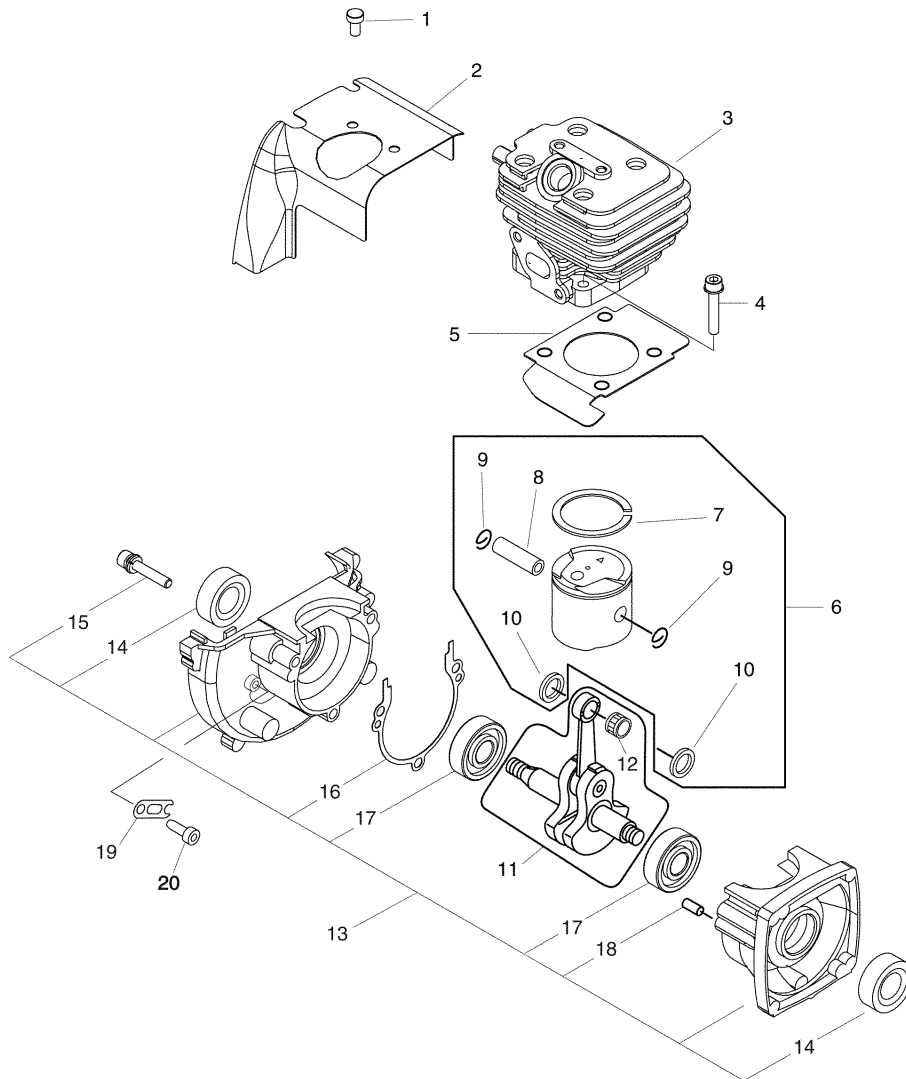
POWER BLOWER

ES-250ES

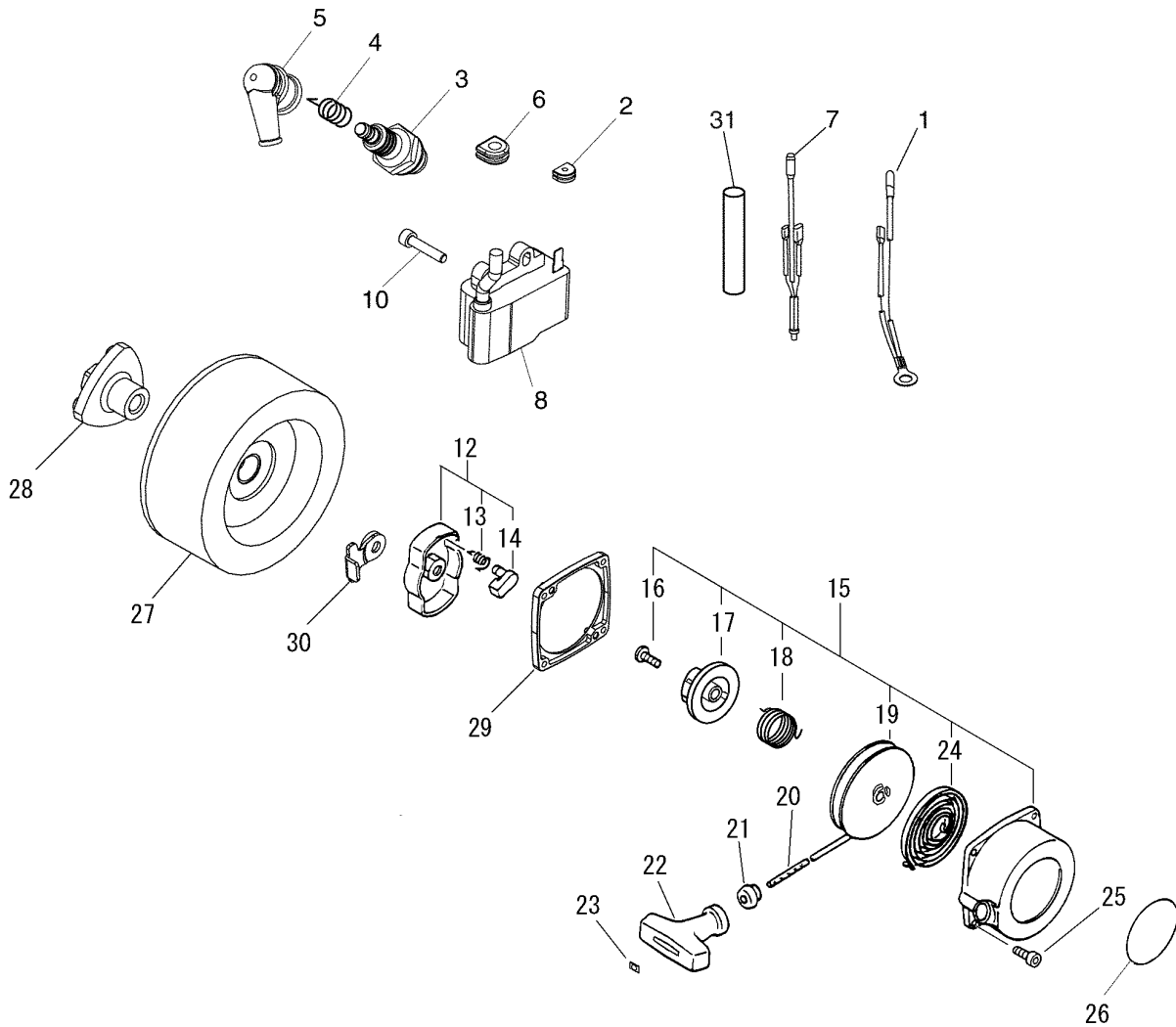


CE

1 Cylinder, Crankcase, Piston



KEY	LV	PART NUMBER	Q'TY	DESCRIPTION	REMARKS
1		V805-000120	2	BOLT, TORX 5	
2		A160-001260	1	COVER,CYLINDER	
3		A130-001020	1	CYLINDER	
4		900162-05025	4	BOLT, H.S. 5*25	
5		V100-000190	1	GASKET,CYL	
6		P021-017410	1	PISTON KIT	
7	+	A101-000140	1	RING, PISTON	
8	+	V606-000000	1	PIN,ENG 8	
9	+	100015-04630	2	CIRCLIP, PISTON PIN	
10	+	100014-11520	2	SPACER, PISTON PIN	
11		A011-000590	1	CRANKSHAFT,ASY	
12	+	V553-000060	1	BEARING,NEEDLE 8	
13		P021-008231	1	CRANKCASE KIT	
14	+	100212-42031	2	OILSEAL	
15	+	900162-05028	3	BOLT, H.S. 5*28	
16	+	100242-42030	1	GASKET, CRANKCASE	
17	+	94035-36201	2	BEARING BALL	
18	+	100215-03930	2	PIN, DOWEL	
19		V150-002400	1	PLATE,EYE	
20		V805-000120	1	BOLT, TORX 5	

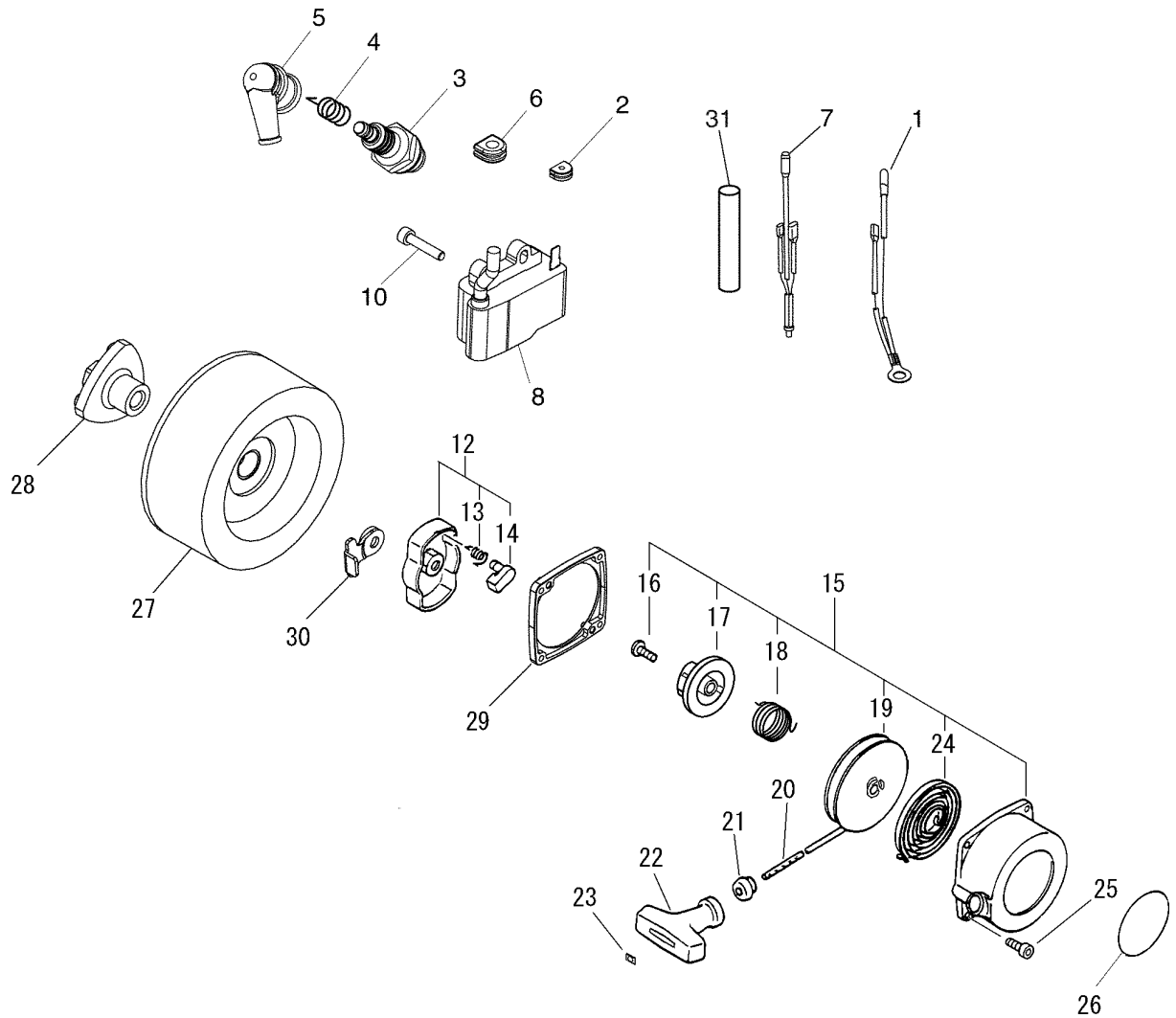


KEY	LV	PART NUMBER	Q'TY	DESCRIPTION	REMARKS
1		V485-002220	1	LEAD	
2		152115-05530	1	BUSHING	
3		A425-000000	1	SPARKPLUG	
4		159011-03432	1	COIL, SPARK PLUG	
5		159012-03433	1	CAP, SPARK PLUG	
6		156110-04920	1	BUSHING	
7		V485-002210	1	LEAD	
8		A411-000500	1	COIL, IGNITION	
10		V804-000070	2	BOLT, TORX 4	
12		A052-000440	1	PULLEY,ASM STARTER	
13	+	P022-006510	2	SPRING, RETURN	
14	+	P022-020030	2	PAWL, STARTER	
15		A051-000740	1	STARTER,RECOIL	
16	+	177236-61830	1	SCREW	
17	+	P022-008280	1	PLATE, CAM	
18	+	P022-008270	1	SPRING,DAMPER	
19	+	P022-006830	1	DRUM	
20	+	P022-008260	1	ROPE	
21	+	177227-42030	1	GUIDE, ROPE	
22	+	177228-27030	1	GRIP, STARTER	
23	+	P022-001350	1	STOPPER, ROPE	
24	+	177220-42030	1	SPRING, REWIND	
25		V804-000060	4	BOLT, TORX 4	
26		X502-000330	1	LABEL,ECHO	

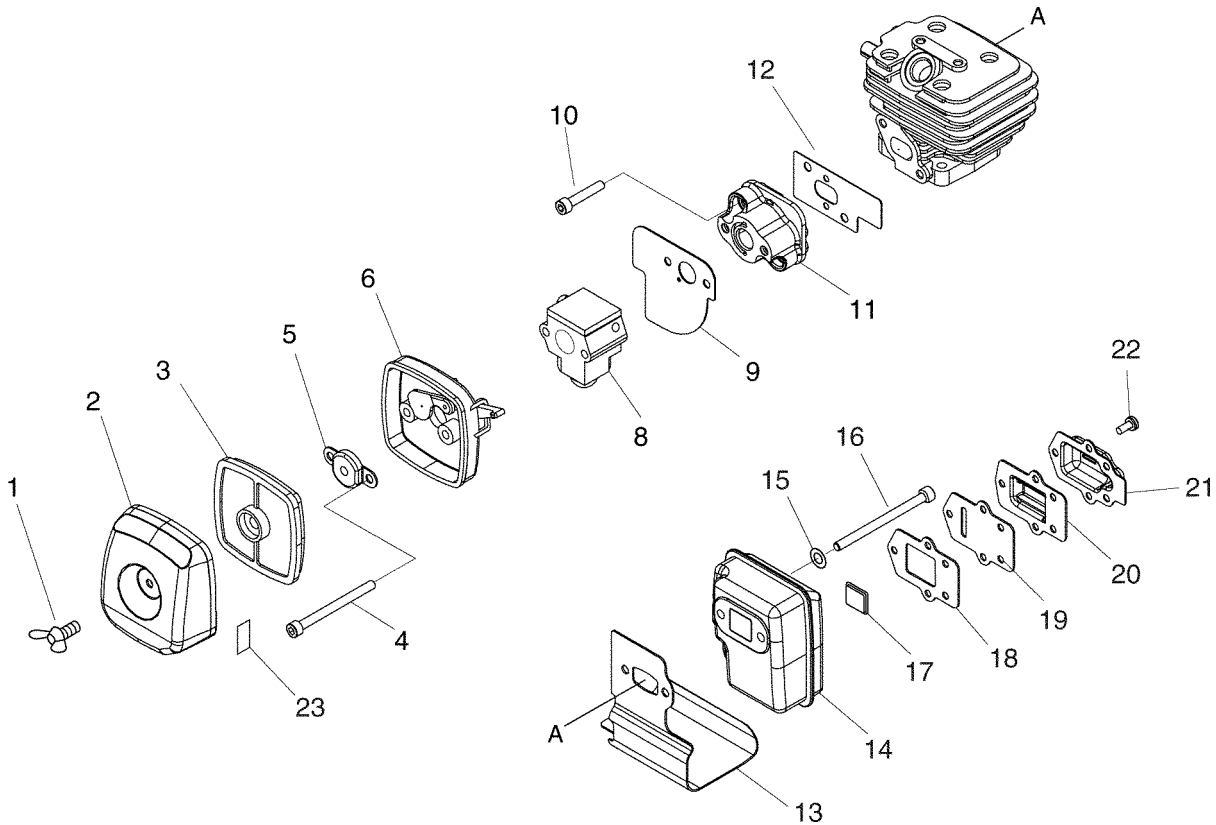
ES-250ES

2

Starter, Magneto

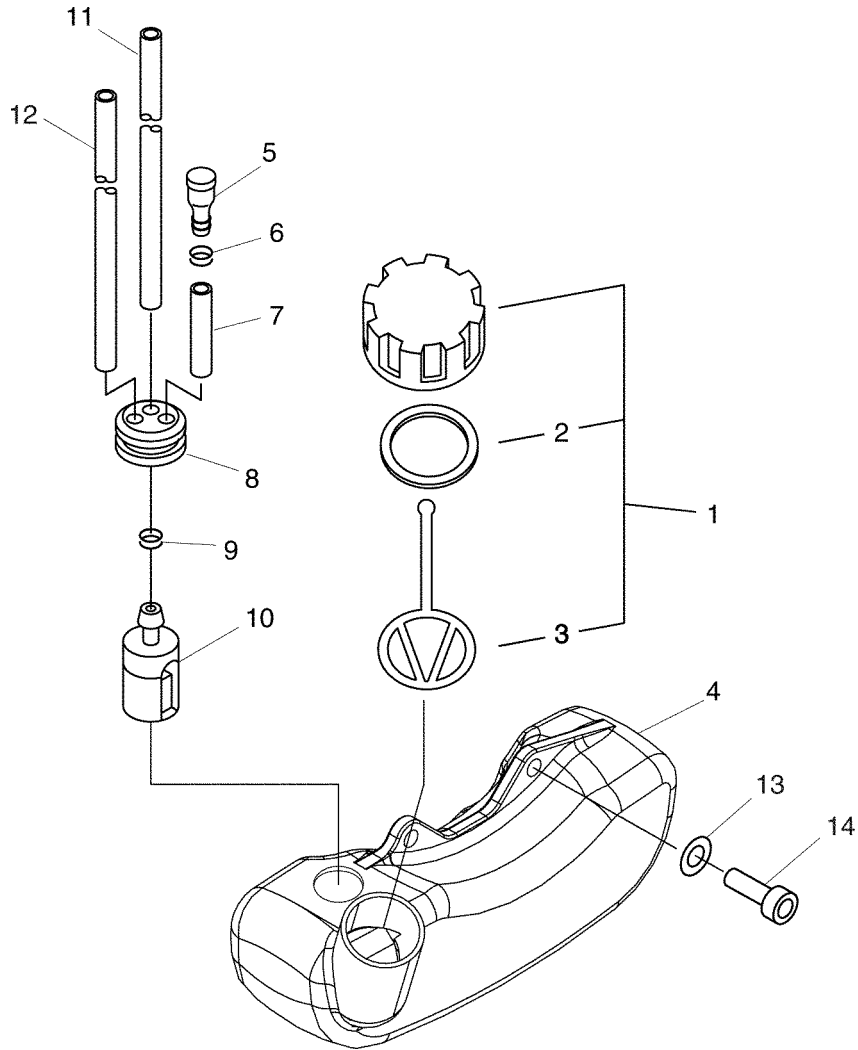


KEY	LV	PART NUMBER	Q'TY	DESCRIPTION	REMARKS
27		A409-000210	1	ROTOR,MAGNETO	
28		E101-000071	1	HUB,FAN	
29		V376-001750	1	SPACER	
30		A115-000000	1	WEIGHT,BALANCE	
31		V475-006820	1	TUBE	

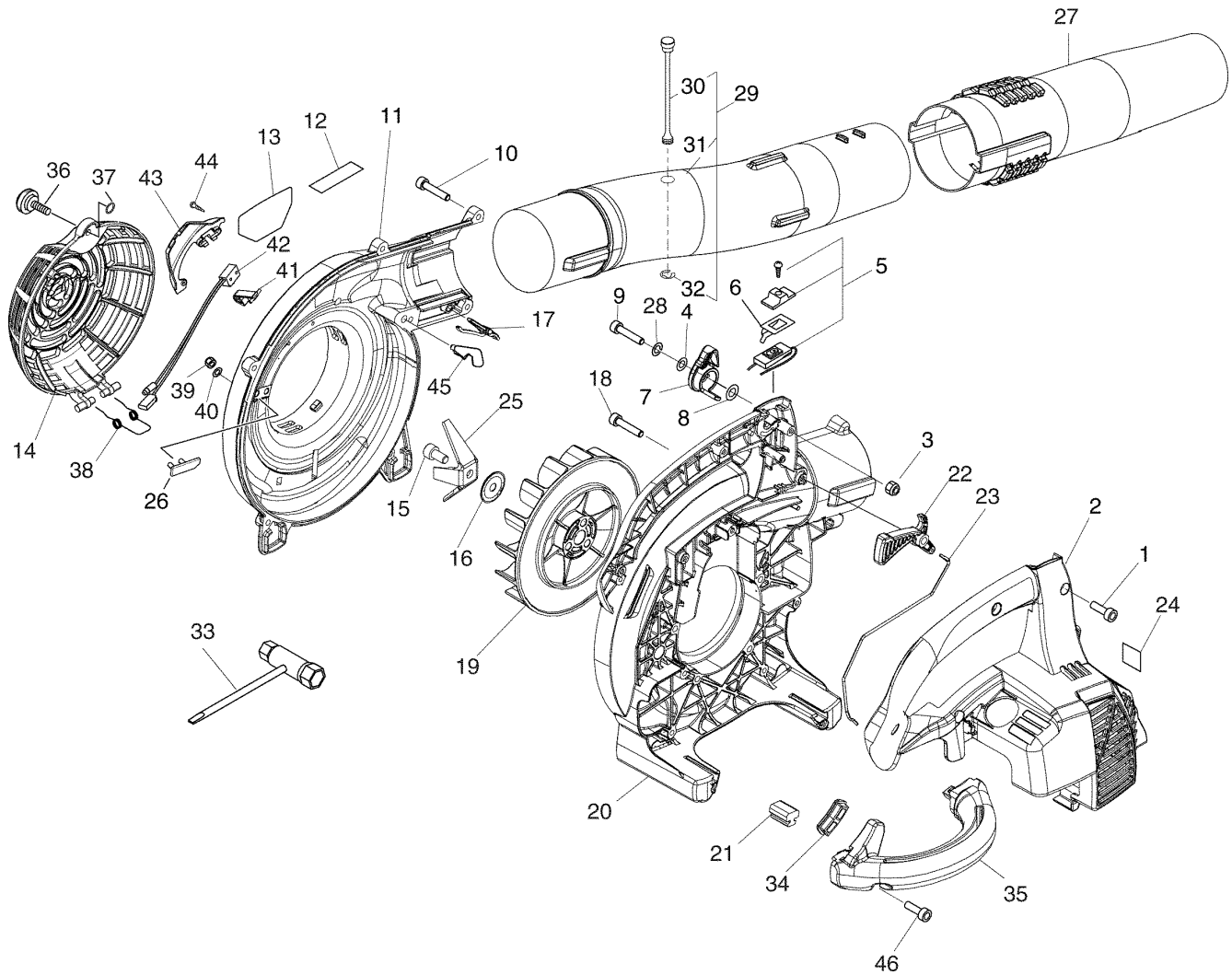


KEY	LV	PART NUMBER	Q'TY	DESCRIPTION	REMARKS
1		210417-52730	1	BOLT, WING	
2		130313-05863	1	LID, AIR CLEANER	
3		A226-001410	1	ELEMENT, AIR FILTER	
4		V805-000100	2	BOLT, TORX 5	
5		129011-52730	1	PLATE, PREVENT	
6		P021-000991	1	CASE, AIR CLEANER	
8		A021-001881	1	CARBURETOR, DIAPHRAGM	
9		V103-000550	1	GASKET, INTAKE	
10		V805-000220	2	BOLT, TORX 5	
11		A200-000370	1	INSULATOR, INTAKE	
12		V103-000540	1	GASKET, INTAKE	
13		V104-000960	1	GASKET, EXHAUST	
14		A300-000810	1	MUFFLER, EXHAUST	
15		900603-00005	2	WASHER 5	
16		V203-000190	2	BOLT, 5	
17		A310-000070	1	SCREEN, ARRESTOR	
18		V104-000940	1	GASKET, EXHAUST	
19		A313-001070	1	GUIDE, EXHAUST	
20		A313-000840	1	GUIDE, EXHAUST	
21		A313-001091	1	GUIDE, EXHAUST	
22		V804-000080	5	BOLT, TORX 4	
23		890332-52730	1	LABEL, CHOKE	

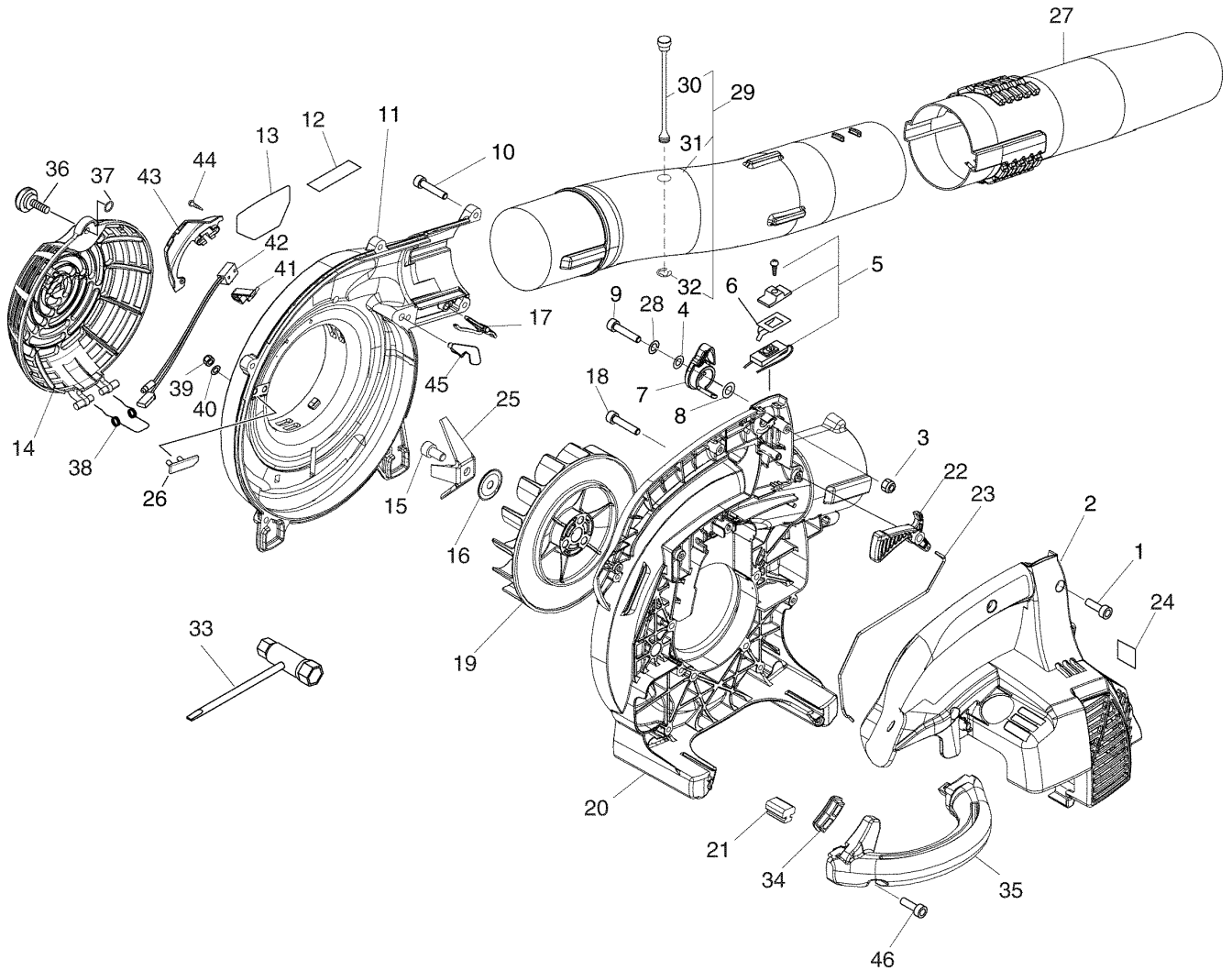
ES-250ES 4 Fuel Tank



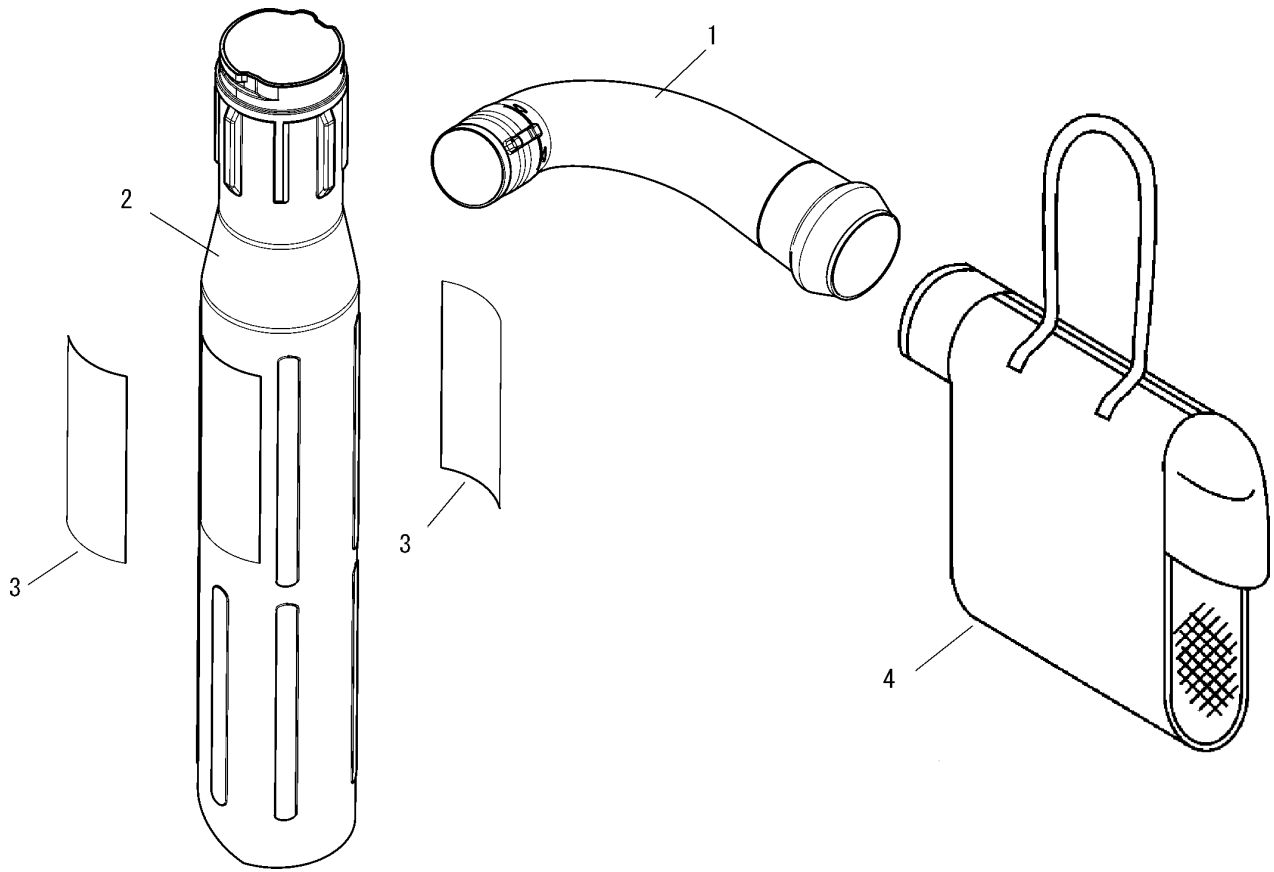
KEY	LV	PART NUMBER	Q'TY	DESCRIPTION	REMARKS
1		131004-55530	1	CAP ASSY, FUEL TANK	
2	+	131016-55830	1	GASKET, FUEL CAP	
3	+	131051-56030	1	CLIP, FUEL CAP	
4		131005-20561	1	TANK, FUEL	
5		A356-000030	1	VALVE,CHECK	
6		132013-09820	1	CLIP	
7		132010-49730	1	PIPE 3*6*85	
8		V137-000030	1	GROMMET,FUEL	
9		132013-09820	1	CLIP	
10		131205-07320	1	STRAINER, FUEL	
11		V471-002170	1	PIPE	
12		132012-04631	1	PIPE	
13		900603-00005	2	WASHER 5	
14		V805-000150	2	BOLT, TORX 5	



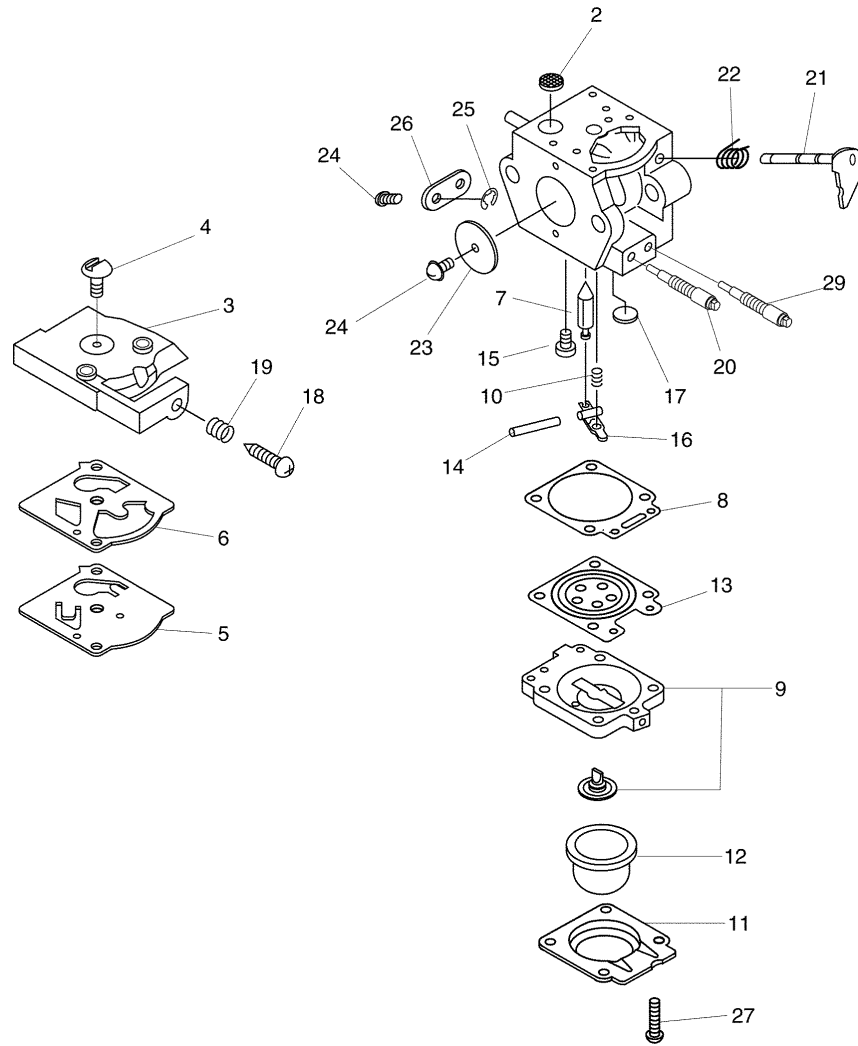
KEY	LV	PART NUMBER	Q'TY	DESCRIPTION	REMARKS
1		V805-000010	6	BOLT, TORX 5	
2		A190-000860	1	COVER, ENGINE	
3		900562-50005	1	LOCKNUT 5	
4		900602-00005	1	WASHER 5	
5		A440-001310	1	SWITCH, ON OFF	
6		V486-000150	1	TERMINAL, LEAD	
7		C453-000300	1	LEVER, THROTTLE	
8		900603-00005	1	WASHER 5	
9		V805-000220	1	BOLT, TORX 5	
10		V805-000010	7	BOLT, TORX 5	
11		E103-000980	1	CASE, FAN	
12		X505-002080	1	LABEL, CAUTION	
13		X547-001830	1	LABEL, ECHO	
14		E104-000090	1	GRID, BLOWER	
15		900105-08015	1	BOLT, H.S. 8*15	
16		100143-19830	1	WASHER	
17		C662-000040	1	PIECE, LEVER	
18		V804-000070	4	BOLT, TORX 4	
19		E100-000220	1	FAN, BLOWER	
20		E103-000690	1	CASE, FAN	
21		351335-20560	2	CUSHION	
22		C450-000410	1	CONTROL, THROTTLE	
23		C454-000190	1	ROD, THROTTLE	
24		X505-002310	1	LABEL, CAUTION	



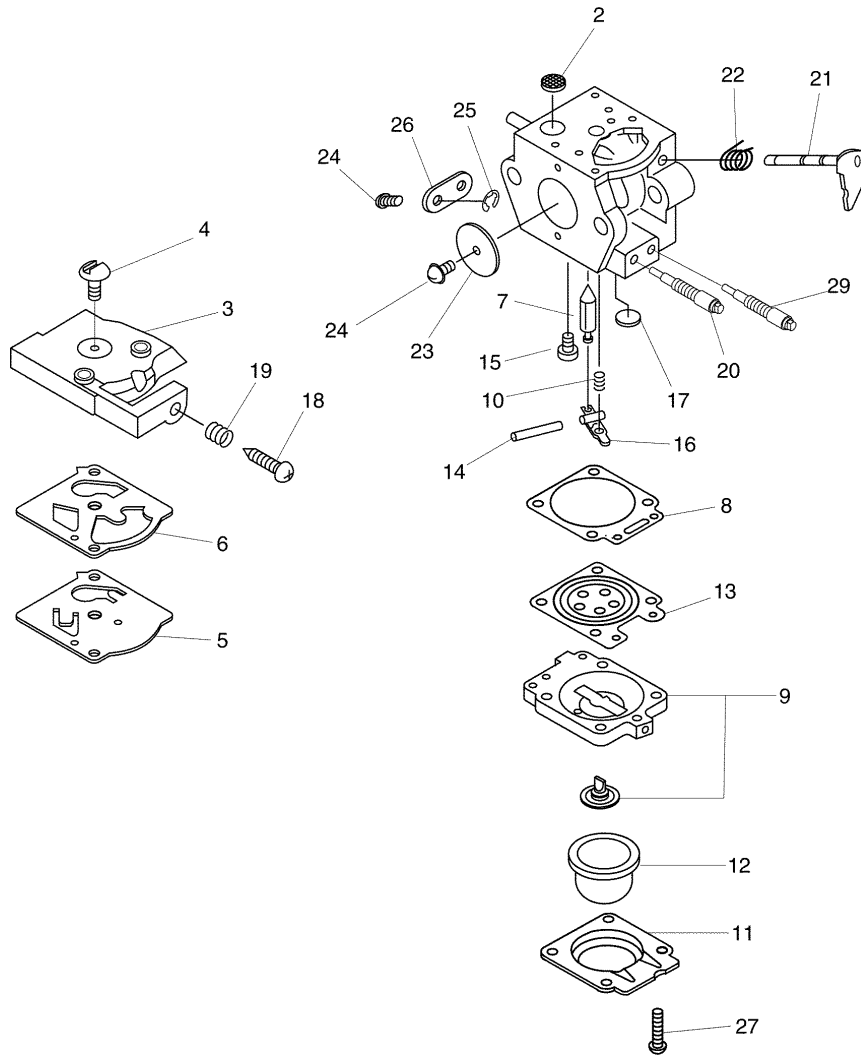
KEY	LV	PART NUMBER	Q'TY	DESCRIPTION	REMARKS
25		X413-000010	1	CUTTER,SHREDDER	
26		X413-000020	1	CUTTER,SHREDDER	
27		E165-000191	1	PIPE,BLOWER	
28		900605-00005	1	WASHER, SPRING 5	
29		E165-000380	1	PIPE,BLOWER	
30	+	E178-000050	1	GUARD,PIPE	
31	+	E165-000390	1	PIPE,BLOWER	
32	+	V583-000080	1	RING	
33		895410-06960	1	WRENCH, W/S-DRIVER	
34		V420-001440	1	CUSHION	
35		C410-001020	1	HANDLE, REAR	
36		V299-000290	1	KNOB,FASTENER	
37		900720-00003	1	O-RING 3	
38		V452-000370	1	SPRING,TORSION	
39		900562-50005	2	LOCKNUT 5	
40		900603-00005	2	WASHER 5	
41		A446-000000	1	LEVER, ACTUATOR	
42		A045-000590	1	SWITCH, ON OFF	
43		A473-000050	1	LID,SWITCH CASE	
44		V804-000010	2	BOLT, TORX 4	
45		V162-000580	1	PLUG	
46		V805-000230	2	BOLT, TORX 5	



KEY	LV	PART NUMBER	Q'TY	DESCRIPTION	REMARKS
1		E160-000170	1	PIPE,MAIN	
2		E180-000011	1	PIPE,SUCTION	
3		X503-008950	2	LABEL,MODEL	
4		X692-000022	1	BAG,DUST	



KEY	LV	PART NUMBER	Q'TY	DESCRIPTION	REMARKS
		A021-001881	1	CARBURETOR,DIAPHRAGM	
2	+	123126-10631	1	SCREEN, INLET	
3	+	P003-003830	1	COVER PUMP	
4	+	123110-03930	1	SCREW, PUMP COVER	
5	+	123112-15030	1	DIAPHRAGM, FUEL PUMP	
6	+	123125-15030	1	GASKET, FUEL PUMP	
7	+	123137-19830	1	VÁLVÉ, INLET NEEDLE	
8	+	P003-003840	1	GASKET, M. DIAPHRAGM	
9	+	P003-003850	1	BODY, AIR PURGE	
10	+	P003-003860	1	SPRING	
11	+	123142-05560	1	COVER, PRIMER PUMP	
12	+	123181-40630	1	PUMP, PRIMER	
13	+	P003-001850	1	DIAPHRAGM, METERING	
14	+	123138-03930	1	PIN, METERING LEVER	
15	+	123139-03930	1	SCREW, M. LEVER PIN	
16	+	123123-03930	1	LEVÉR, METERING	
17	+	123146-10631	1	PLUG, WELCH	
18	+	P003-001400	1	SCREW, IDLE ADJUST	
19	+	123133-04260	1	SPRING, IDLE ADJUST	
20	+	P003-004010	1	NEEDLE	
21	+	P003-003880	1	SHAFT ASY,THROTTLE	
22	+	P003-003890	1	SPRING	
23	+	P003-003900	1	VALVE, THROTTLE	
24	+	123114-38830	1	SCREW	



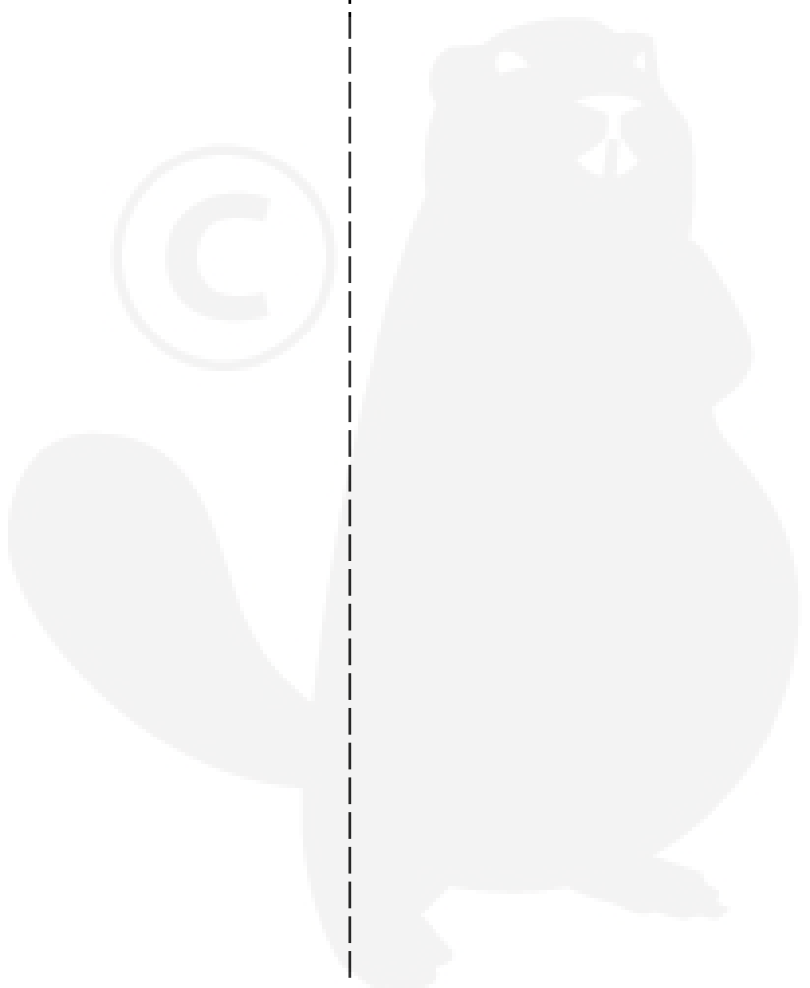
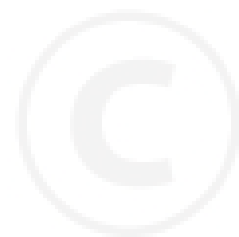
KEY	LV	PART NUMBER	Q'TY	DESCRIPTION	REMARKS
25	+	123127-15030	1	RING	
26	+	P003-003910	1	THROTTLE, LEVER	
27	+	123144-02960	4	SCREW	
29	+	P003-004020	1	NEEDLE	

Index

Parts Number	Key No.	Parts Number	Key No.	Parts Number	Key No.
A011-000590	1 - 11	P003-003900	7 - 23	X413-000010	5 - 25
A021-001881	3 - 8	P003-003910	7 - 26	X413-000020	5 - 26
A021-001881	7 -	P003-004010	7 - 20	X502-000330	2 - 26
A045-000590	5 - 42	P003-004020	7 - 29	X503-008950	6 - 3
A051-000740	2 - 15	P021-000991	3 - 6	X505-002080	5 - 12
A052-000440	2 - 12	P021-008231	1 - 13	X505-002310	5 - 24
A101-000140	1 - 7	P021-017410	1 - 6	X547-001830	5 - 13
A115-000000	2 - 30	P022-001350	2 - 23	X692-000022	6 - 4
A130-001020	1 - 3	P022-006510	2 - 13	100014-11520	1 - 10
A160-001260	1 - 2	P022-006830	2 - 19	100015-04630	1 - 9
A190-000860	5 - 2	P022-008260	2 - 20	100143-19830	5 - 16
A200-000370	3 - 11	P022-008270	2 - 18	100212-42031	1 - 14
A226-001410	3 - 3	P022-008280	2 - 17	100215-03930	1 - 18
A300-000810	3 - 14	P022-020030	2 - 14	100242-42030	1 - 16
A310-000070	3 - 17	V100-000190	1 - 5	123110-03930	7 - 4
A313-000840	3 - 20	V103-000540	3 - 12	123112-15030	7 - 5
A313-001070	3 - 19	V103-000550	3 - 9	123114-38830	7 - 24
A313-001091	3 - 21	V104-000940	3 - 18	123123-03930	7 - 16
A356-000030	4 - 5	V104-000960	3 - 13	123125-15030	7 - 6
A409-000210	2 - 27	V137-000030	4 - 8	123126-10631	7 - 2
A411-000500	2 - 8	V150-002400	1 - 19	123127-15030	7 - 25
A425-000000	2 - 3	V162-000580	5 - 45	123133-04260	7 - 19
A440-001310	5 - 5	V203-000190	3 - 16	123137-19830	7 - 7
A446-000000	5 - 41	V299-000290	5 - 36	123138-03930	7 - 14
A473-000050	5 - 43	V376-001750	2 - 29	123139-03930	7 - 15
C410-001020	5 - 35	V420-001440	5 - 34	123142-05560	7 - 11
C450-000410	5 - 22	V452-000370	5 - 38	123144-02960	7 - 27
C453-000300	5 - 7	V471-002170	4 - 11	123146-10631	7 - 17
C454-000190	5 - 23	V475-006820	2 - 31	123181-40630	7 - 12
C662-000040	5 - 17	V485-002210	2 - 7	129011-52730	3 - 5
E100-000220	5 - 19	V485-002220	2 - 1	130313-05863	3 - 2
E101-000071	2 - 28	V486-000150	5 - 6	131004-55530	4 - 1
E103-000690	5 - 20	V553-000060	1 - 12	131005-20561	4 - 4
E103-000980	5 - 11	V583-000080	5 - 32	131016-55830	4 - 2
E104-000090	5 - 14	V606-000000	1 - 8	131051-56030	4 - 3
E160-000170	6 - 1	V804-000010	5 - 44	131205-07320	4 - 10
E165-000191	5 - 27	V804-000060	2 - 25	132010-49730	4 - 7
E165-000380	5 - 29	V804-000070	2 - 10	132012-04631	4 - 12
E165-000390	5 - 31	V804-000070	5 - 18	132013-09820	4 - 6
E178-000050	5 - 30	V804-000080	3 - 22	132013-09820	4 - 9
E180-000011	6 - 2	V805-000010	5 - 1	152115-05530	2 - 2
P003-001400	7 - 18	V805-000010	5 - 10	156110-04920	2 - 6
P003-001850	7 - 13	V805-000100	3 - 4	159011-03432	2 - 4
P003-003830	7 - 3	V805-000120	1 - 1	159012-03433	2 - 5
P003-003840	7 - 8	V805-000120	1 - 20	177220-42030	2 - 24
P003-003850	7 - 9	V805-000150	4 - 14	177227-42030	2 - 21
P003-003860	7 - 10	V805-000220	3 - 10	177228-27030	2 - 22
P003-003880	7 - 21	V805-000220	5 - 9	177236-61830	2 - 16
P003-003890	7 - 22	V805-000230	5 - 46	210417-52730	3 - 1

Index

Parts Number	Key No.	Parts Number	Key No.	Parts Number	Key No.
351335-20560	5 - 21				
890332-52730	3 - 23				
895410-06960	5 - 33				
900105-08015	5 - 15				
900162-05025	1 - 4				
900162-05028	1 - 15				
900562-50005	5 - 3				
900562-50005	5 - 39				
900602-00005	5 - 4				
900603-00005	3 - 15				
900603-00005	4 - 13				
900603-00005	5 - 8				
900603-00005	5 - 40				
900605-00005	5 - 28				
900720-00003	5 - 37				
94035-36201	1 - 17				



YAMABIKO CORPORATION

7-2 SUEHIROCHO 1-CHOME, OHME, TOKYO 198-8760, JAPAN
PHONE: 81-428-32-6118. FAX: 81-428-32-6145.

ECHO[®]



10/07 03-018