



PARTS CATALOG

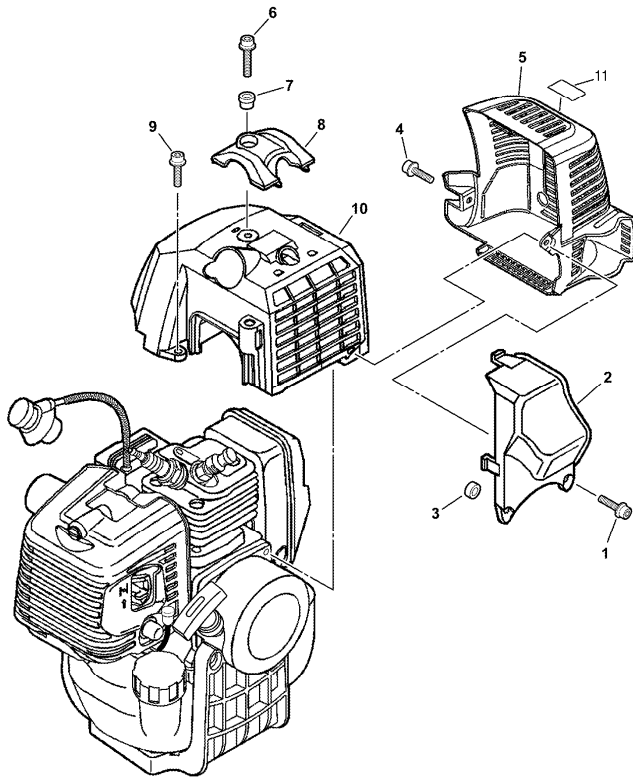
EARTH AUGER

EA-410(36)

36000001 -

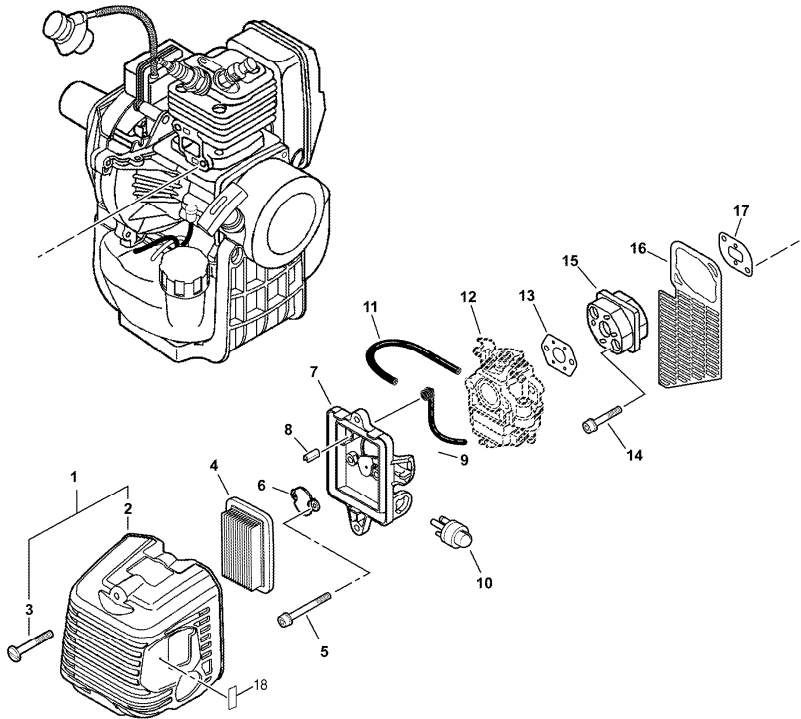
P014-001790-11Lb

1. ENGINE COVER



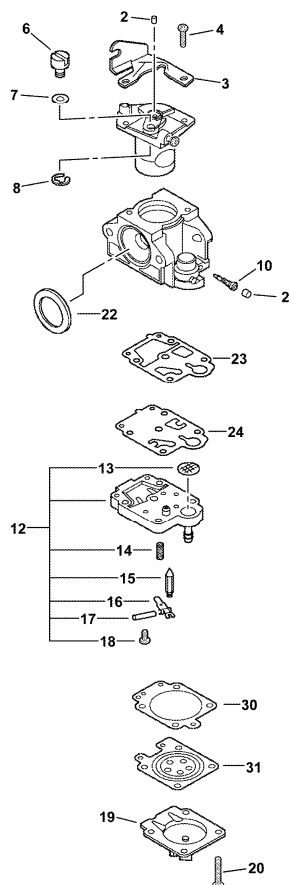
| KEY | LV | PART NUMBER | Q'TY | DESCRIPTION | REMARKS | NOTE1 | NOTE2 |
|-----|----|--------------|------|-----------------|---------------|-------|-------|
| 1 | | 900106-05025 | 1 | BOLT, H.S. 5*25 | 5*25 | | |
| 2 | | A161-000080 | 1 | DUCT,AIR | AIR DEFLECTOR | | |
| 3 | | V354-000100 | 1 | COLLAR,6 | | | |
| 4 | | 900106-05012 | 1 | BOLT, H.S. 5*12 | 5*12 | | |
| 5 | | A320-000111 | 1 | COVER,MUFFLER | | | |
| 6 | | 900106-05020 | 1 | BOLT, H.S. 5*20 | 5*20 | | |
| 7 | | V353-000020 | 1 | COLLAR,5 | 12*5.5*4.5L | | |
| 8 | | A162-000020 | 1 | GUARD, TOP | | | |
| 9 | | 900106-05012 | 1 | BOLT, H.S. 5*12 | 5*12 | | |
| 10 | | A160-000241 | 1 | COVER,CYLINDER | | | |
| 11 | | X505-002310 | 1 | LABEL, CAUTION | HOT CAUTION | | |

2. AIR CLEANER



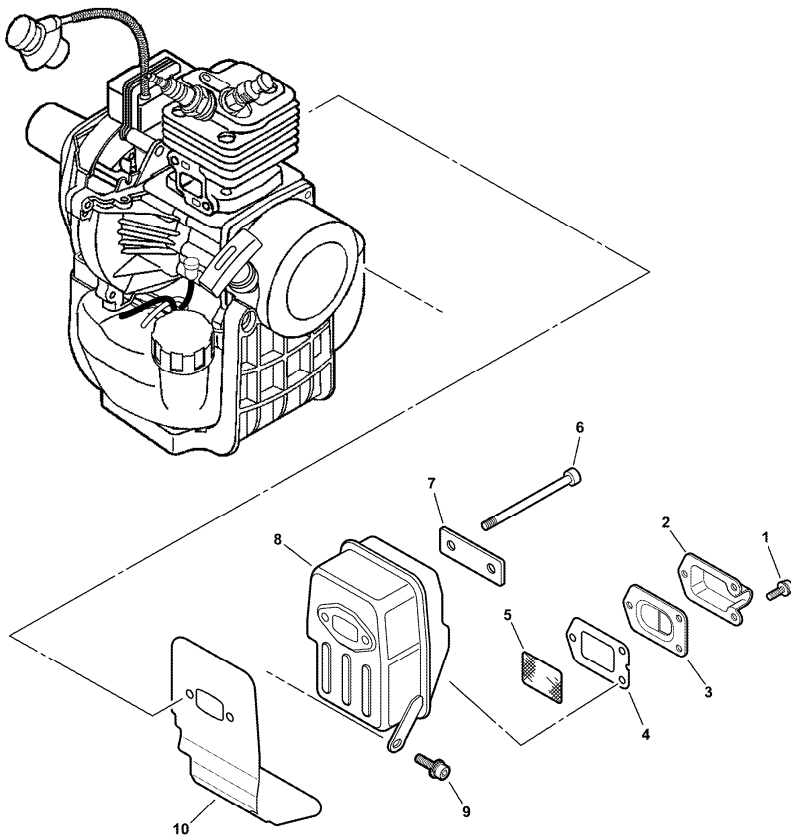
| KEY | LV | PART NUMBER | Q'TY | DESCRIPTION | REMARKS | NOTE1 | NOTE2 |
|-----|----|--------------|------|----------------------|---------------|-------|-------|
| 1 | | P021-012110 | 1 | LID,CLEANER ASY | | | |
| 2 | + | A232-000390 | 1 | LID,CLEANER | | | |
| 3 | + | V253-000100 | 2 | SCREW,5 | 5*20 | | |
| 4 | | A226-000360 | 1 | ELEMENT, AIR FILTER | AFP-2010K-300 | | |
| 5 | | 900105-05055 | 2 | BOLT, H.S. 5*55 | 5*55 | | |
| 6 | | A244-000010 | 1 | PLATE,PREVENT | | | |
| 7 | | P021-009590 | 1 | CASE, AIR CLEANER | | | |
| 8 | | A239-000050 | 1 | PIPE, INTAKE | | | |
| 9 | | 132012-39331 | 1 | PIPE | 3*6*105 | | |
| 10 | | 123181-39130 | 1 | PUMP, PRIMER | | | |
| 11 | | V471-001560 | 1 | PIPE | 2.4*5*80 | | |
| 12 | | A021-001171 | 1 | CARBURETOR,DIAPHRAGM | WYK-226A | | |
| 13 | | V103-000080 | 1 | GASKET,INTAKE | | | |
| 14 | | 900106-05025 | 2 | BOLT, H.S. 5*25 | 5*25 | | |
| 15 | | A200-000060 | 1 | INSULATOR,INTAKE | | | |
| 16 | | A128-000060 | 1 | PLATE,DUST | | | |
| 17 | | V103-000070 | 1 | GASKET,INTAKE | | | |
| 18 | | 890332-52730 | 1 | LABEL, CHOKE | | | |

3. CARBURETOR



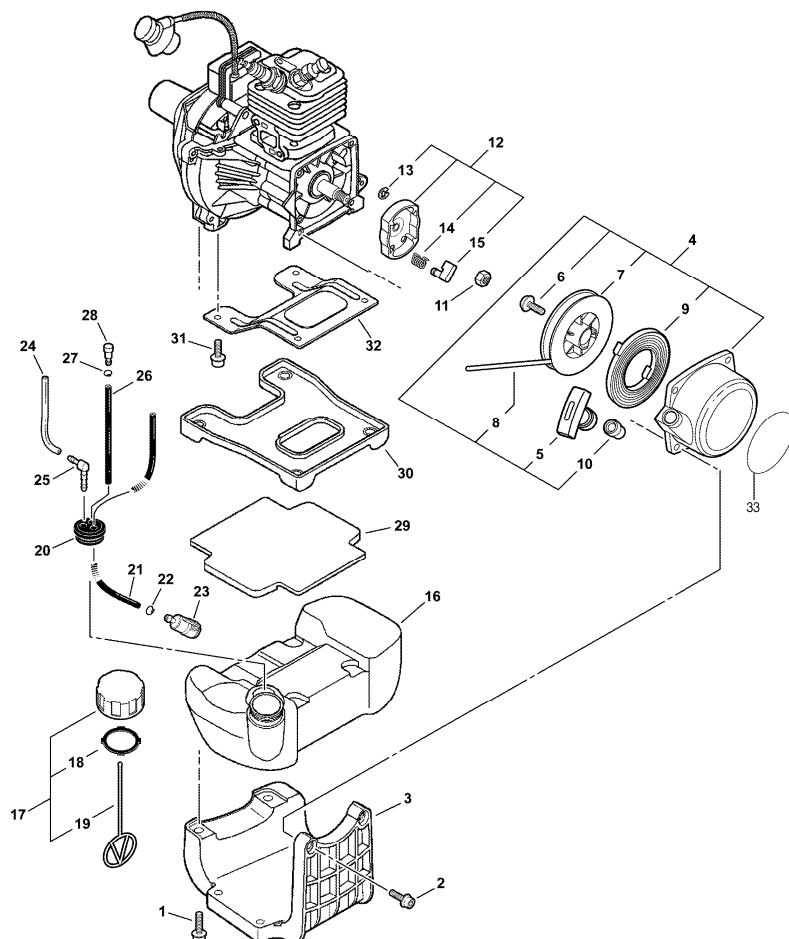
| KEY | LV | PART NUMBER | Q'TY | DESCRIPTION | REMARKS | NOTE1 | NOTE2 |
|-----|----|--------------|------|----------------------|---------------|-------|-------|
| | | A021-001171 | 1 | CARBURETOR,DIAPHRAGM | WYK-226A | | |
| 2 | + | A259-000000 | 2 | CAP,LIMITER | WALBRO 88-265 | | |
| 3 | + | P003-000180 | 1 | BRACKET CABLE | | | |
| 4 | + | 123114-40630 | 2 | SCREW | | | |
| 6 | + | 123172-45130 | 1 | SWIVEL | | | |
| 7 | + | 123149-54230 | 1 | WASHER | | | |
| 8 | + | 123173-07930 | 1 | CLIP | | | |
| 10 | + | P003-001130 | 1 | NEEDLE, HIGH SPEED | | | |
| 12 | + | P003-001490 | 1 | BODY ASSEMBLY, PUMP | | | |
| 13 | ++ | 123126-10631 | 1 | SCREEN, INLET | | | |
| 14 | ++ | 123122-05560 | 1 | SPRING, METER. LEVER | | | |
| 15 | ++ | 123137-19830 | 1 | VALVE, INLET NEEDLE | | | |
| 16 | ++ | 123123-03930 | 1 | LEVER, METERING | | | |
| 17 | ++ | 123138-03930 | 1 | PIN, METERING LEVER | | | |
| 18 | ++ | 123139-05560 | 1 | SCREW, M. LEVER PIN | | | |
| 19 | + | P003-001500 | 1 | COVER, PRIMER PUMP | | | |
| 20 | + | 123144-44330 | 4 | SCREW | | | |
| 22 | + | 123143-12110 | 1 | RING, PACKING | | | |
| 23 | + | P003-000100 | 1 | GASKET, PUMP | | | |
| 24 | + | 123112-40630 | 1 | DIAPHRAGM, PUMP | | | |
| 30 | + | 123140-27230 | 1 | GASKET,M. DIAPHRAGM | | | |
| 31 | + | P003-000090 | 1 | METERING, DIAPHRAGM | | | |

4. MUFFLER



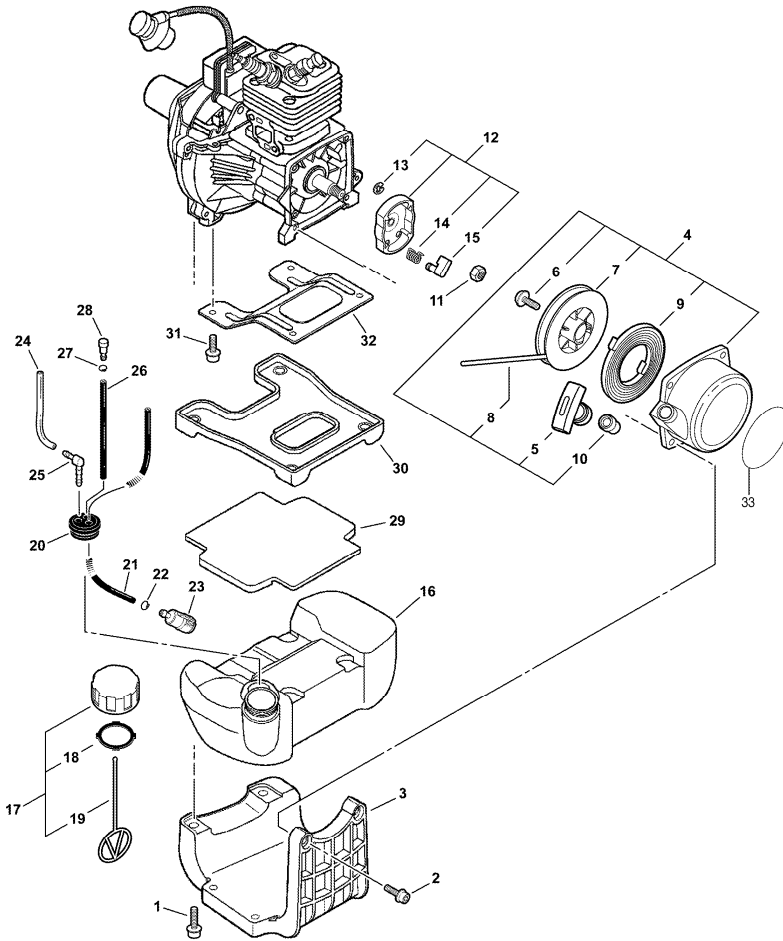
| KEY | LV | PART NUMBER | Q'TY | DESCRIPTION | REMARKS | NOTE1 | NOTE2 |
|-----|----|--------------|------|---------------------|-----------|-------|-------|
| 1 | | 900242-04010 | 3 | SCREW 4*10 | 4*10 | | |
| 2 | | A313-000340 | 1 | GUIDE,EXH | | | |
| 3 | | 145863-04560 | 1 | HOLDER, SCREEN | | | |
| 4 | | 145866-42031 | 1 | GASKET, MUFFLER LID | | | |
| 5 | | 145862-40630 | 1 | SCREEN, MUFFLER | | | |
| 6 | | 900105-06060 | 2 | BOLT, H.S. 6*60 | 6*60 | | |
| 7 | | V150-000550 | 1 | PLATE,EYE | | | |
| 8 | | A300-000280 | 1 | MUFFLER,EXHAUST | | | |
| 9 | | 900162-05012 | 1 | BOLT, H.S. 5*12 | 5*12 W,SW | | |
| 10 | | V104-000241 | 1 | GASKET,EXHAUST | BGT-19B | | |

5. FUEL TANK



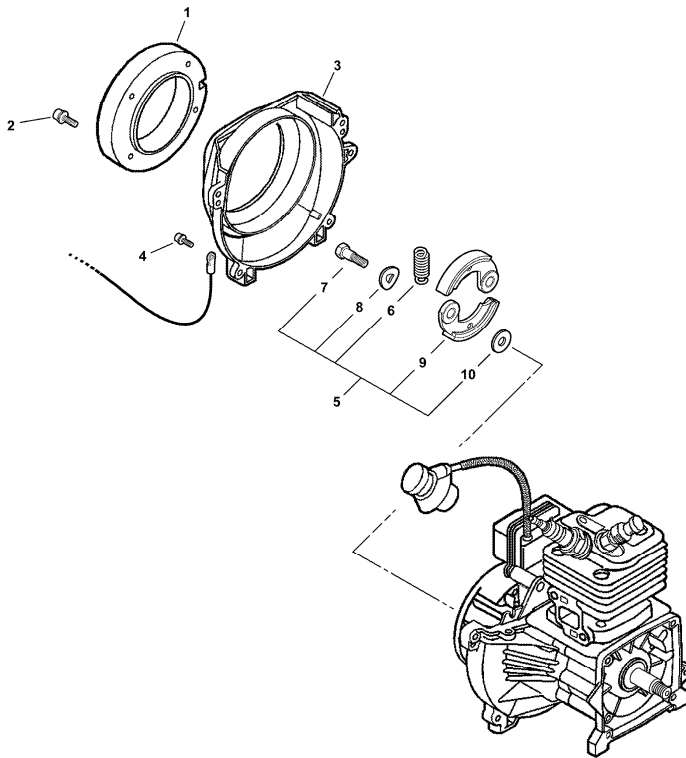
| KEY | LV | PART NUMBER | Q'TY | DESCRIPTION | REMARKS | NOTE1 | NOTE2 |
|-----|----|--------------|------|---------------------|-------------|-------|-------|
| 1 | | 900106-05020 | 2 | BOLT, H.S. 5*20 | 5*20 | | |
| 2 | | 900106-05025 | 2 | BOLT, H.S. 5*25 | 5*25 | | |
| 3 | | A393-000050 | 1 | BRACKET, FUEL TANK | | | |
| 4 | | A051-000190 | 1 | STARTER, RECOIL | | | |
| 5 | + | 177228-27030 | 1 | GRIP, STARTER | | | |
| 6 | + | 177236-06910 | 1 | SCREW | | | |
| 7 | + | P022-002080 | 1 | DRUM, STARTER | | | |
| 8 | + | 177226-06310 | 1 | ROPE, STARTER | 3.8*1150 | | |
| 9 | + | 177220-06310 | 1 | SPRING, REWIND | | | |
| 10 | + | 177227-42030 | 1 | GUIDE, ROPE | | | |
| 11 | | 900502-00008 | 1 | NUT 8 (3N) | 3N8 | | |
| 12 | | A052-000011 | 1 | PULLEY, ASM STARTER | | | |
| 13 | + | P022-002100 | 1 | E-RING | 4 | | |
| 14 | + | 177234-40630 | 1 | SPRING, RETURN | | | |
| 15 | + | 177218-40630 | 1 | PAWL, STARTER | WHITE | | |
| 16 | | A350-000131 | 1 | TANK, FUEL | | | |
| 17 | | 131004-55530 | 1 | CAP ASSY, FUEL TANK | | | |
| 18 | + | 131016-55830 | 1 | GASKET, FUEL CAP | | | |
| 19 | + | 131051-56030 | 1 | CLIP, FUEL CAP | 100L | | |
| 20 | | 132115-55930 | 1 | GROMMET, FUEL | | | |
| 21 | | 132010-53630 | 1 | PIPE | 3*6*180 NBR | | |
| 22 | | 132013-26630 | 1 | CLIP | 6.5MM | | |
| 23 | | 131205-19831 | 1 | STRAINER, FUEL | | | |
| 24 | | 437215-20760 | 1 | PIPE 3*6*60 | 3*6*60 YL | | |
| 25 | | V186-000080 | 1 | JOINT, PIPE | | | |
| 26 | | 132012-02960 | 1 | PIPE, FUEL | 3*6*120L | | |

5. FUEL TANK



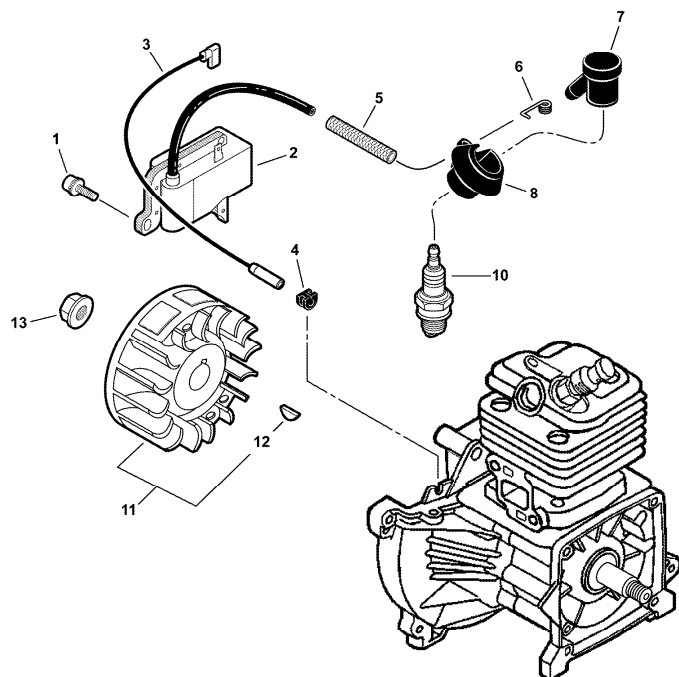
| KEY | LV | PART NUMBER | Q'TY | DESCRIPTION | REMARKS | NOTE1 | NOTE2 |
|-----|----|--------------|------|--------------------|---------|-------|-------|
| 27 | | 132013-26630 | 1 | CLIP | 6.5MM | | |
| 28 | | 131300-56430 | 1 | VALVE, CHECK | | | |
| 29 | | A390-000010 | 1 | SEAT, FUEL TANK | | | |
| 30 | | A390-000000 | 1 | SEAT, FUEL TANK | | | |
| 31 | | 900106-05012 | 4 | BOLT, H.S. 5*12 | 5*12 | | |
| 32 | | A393-000030 | 1 | BRACKET, FUEL TANK | | | |
| 33 | | X547-001460 | 1 | LABEL, ECHO | EA-410 | | |

6. CLUTCH



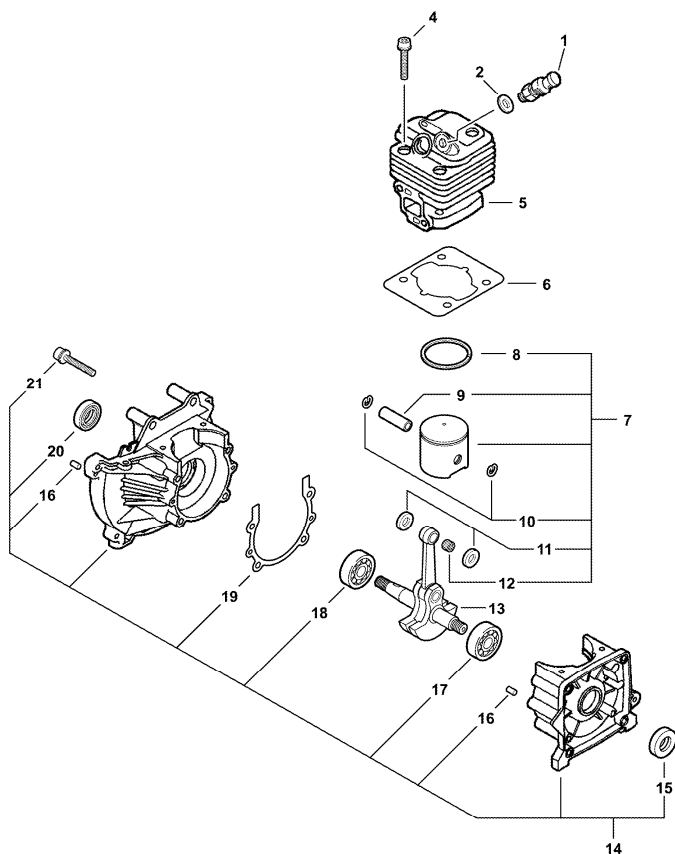
| KEY | LV | PART NUMBER | Q'TY | DESCRIPTION | REMARKS | NOTE1 | NOTE2 |
|-----|----|--------------|------|-----------------|-----------|-------|-------|
| 1 | | A551-000041 | 1 | PLATE,CLUTCH | | | |
| 2 | | 900162-05020 | 4 | BOLT, H.S. 5*20 | 5*20 W,SW | | |
| 3 | | A172-000230 | 1 | COVER,FAN | | | |
| 4 | | 900162-05020 | 4 | BOLT, H.S. 5*20 | 5*20 W,SW | | |
| 5 | | P021-002481 | 1 | CLUTCH ASY | | | |
| 6 | + | V451-000480 | 1 | SPRING,TENSION | | | |
| 7 | + | A557-000000 | 2 | SHAFT,CLUTCH | | | |
| 8 | + | V346-000000 | 2 | WASHER,WAVE | | | |
| 9 | + | A553-000030 | 2 | ARM,CLUTCH | | | |
| 10 | + | 175049-03920 | 2 | WASHER | | | |

7. MAGNETO



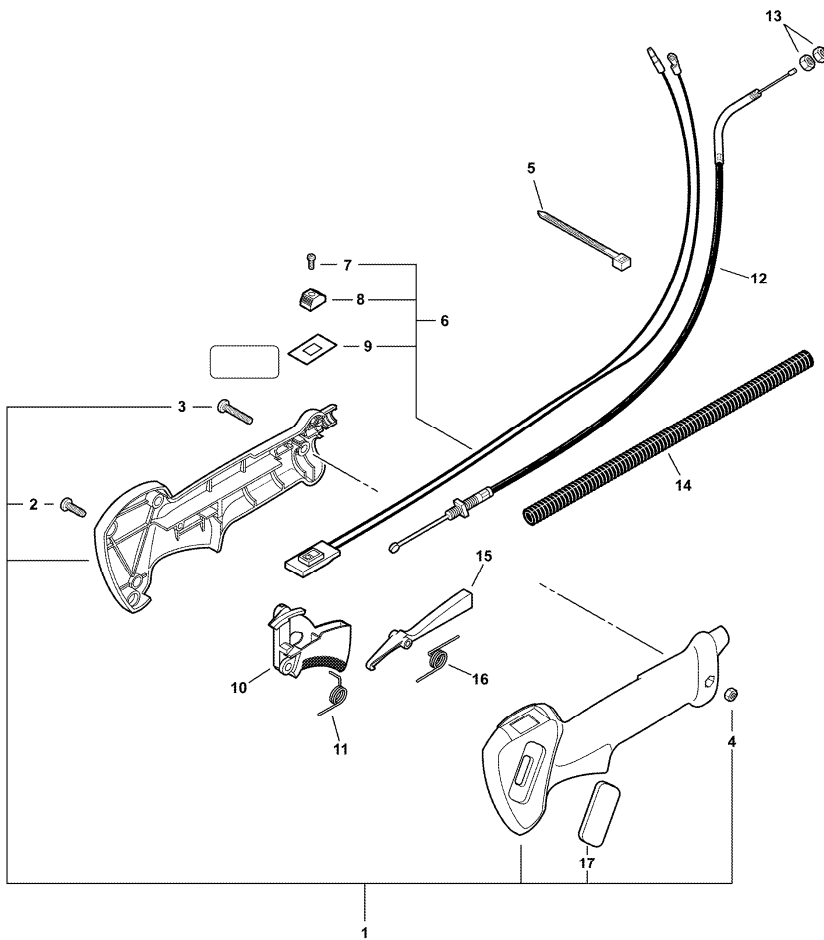
| KEY | LV | PART NUMBER | Q'TY | DESCRIPTION | REMARKS | NOTE1 | NOTE2 |
|-----|----|--------------|------|----------------------|-----------------|-------|-------|
| 1 | | 900162-05020 | 2 | BOLT, H.S. 5*20 | 5*20 W,SW | | |
| 2 | | A411-000050 | 1 | COIL,IGNITION | | | |
| 3 | | 162010-55630 | 1 | LEAD, GROUND | 170L | | |
| 4 | | 156114-04920 | 1 | GROMMET | | | |
| 5 | | V475-001610 | 1 | TUBE | 7*8.6*55 HST-10 | | |
| 6 | | A426-000000 | 1 | TERMINAL,SPARKPLUG | | | |
| 7 | | A427-000000 | 1 | CAP,SPARK PLUG | | | |
| 8 | | V141-000020 | 1 | GROMMET,PLUG | | | |
| 10 | | 159010-10230 | 1 | PLUG, SPARK (BPMR-7A | BPMR-7A | | |
| 11 | | P021-005911 | 1 | ROTOR,MAGNETO KIT | | | |
| 12 | + | 900323-03014 | 1 | KEY WOODRUFF | 3*14 | | |
| 13 | | 900519-00010 | 1 | NUT, FLANGE 10 | 10*1.25 | | |

8. CYLINDER, CRANKCASE



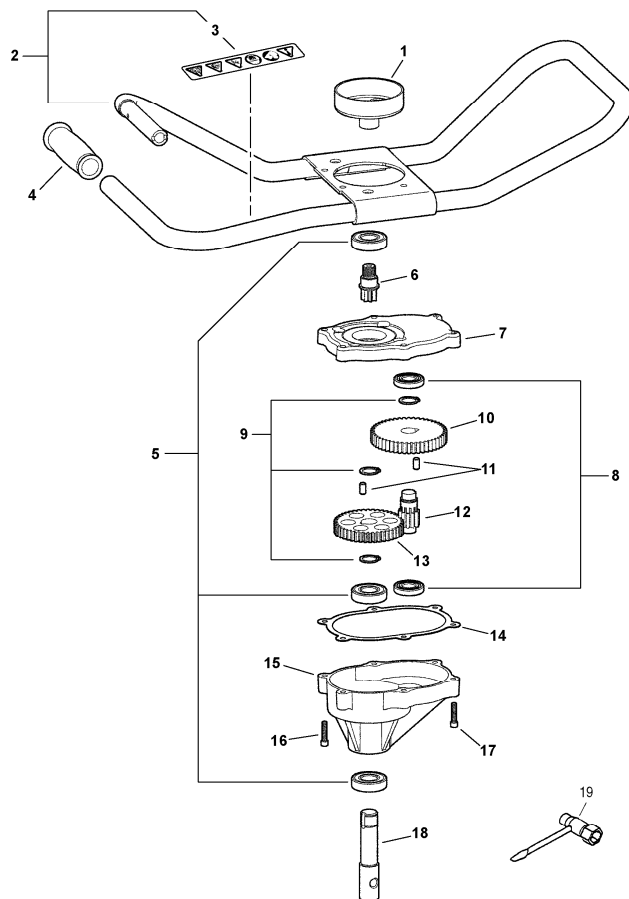
| KEY | LV | PART NUMBER | Q'TY | DESCRIPTION | REMARKS | NOTE1 | NOTE2 |
|-----|----|--------------|------|--------------------|--------------|-------|-------|
| 1 | | A014-000030 | 1 | DECOMP,ASM | | | |
| 2 | | 159025-37530 | 1 | GASKET | | | |
| 4 | | 900162-05020 | 4 | BOLT, H.S. 5*20 | 5*20 W,SW | | |
| 5 | | A130-000880 | 1 | CYLINDER | | | |
| 6 | | V100-000040 | 1 | GASKET,CYL | | | |
| 7 | | P021-014260 | 1 | PISTON KIT | | | |
| 8 | + | 100011-10530 | 1 | RING, PISTON | | | |
| 9 | + | V608-000000 | 1 | PIN,ENG 10 | | | |
| 10 | + | V580-000010 | 2 | RING,END | φ0.8 | | |
| 11 | + | V307-000060 | 2 | WASHER,CIRCULAR 10 | | | |
| 12 | + | 100012-12331 | 1 | BEARING, NEEDLE | | | |
| 13 | | A011-000120 | 1 | CRANKSHAFT,ASM | | | |
| 14 | | P021-002471 | 1 | CRANKCASE SET | | | |
| 15 | + | 100213-05530 | 1 | OILSEAL | ISCD 12 22 7 | | |
| 16 | + | 100215-03930 | 4 | PIN, DOWEL | | | |
| 17 | + | 94035-36201 | 1 | BEARING BALL | 6201X3JR2C3 | | |
| 18 | + | 900810-36202 | 1 | BEARING, BALL 6202 | 6202/C3 | | |
| 19 | + | V102-000001 | 1 | GASKET,CRANKCASE | | | |
| 20 | + | 100213-00310 | 1 | OILSEAL | ISCD 15 25 7 | | |
| 21 | + | 900162-05035 | 4 | BOLT, H.S. 5*35 | 5*35 W,SW | | |

9. THROTTLE LEVER



| KEY | LV | PART NUMBER | Q'TY | DESCRIPTION | REMARKS | NOTE1 | NOTE2 |
|-----|----|--------------|------|-------------------|---------|-------|-------|
| 1 | | P021-002612 | 1 | GRIP ASY,F-HANDLE | | | |
| 2 | + | 900253-04016 | 3 | SCREW 4*16 | 4*16 | | |
| 3 | + | 900235-05030 | 1 | SCREW 5*30 | 5*30 | | |
| 4 | + | 900500-00005 | 1 | NUT 5 | 5 | | |
| 17 | + | V162-000130 | 1 | PLUG | | | |
| 5 | | 178121-10050 | 2 | BAND | CV-150 | | |
| 6 | | A440-000382 | 1 | SWITCH,ON OFF | | | |
| 7 | + | 91545-03010 | 1 | SCREW TAPTITE-P | | | |
| 8 | + | 163410-49231 | 1 | KNOB, SWITCH | | | |
| 9 | + | 890157-12330 | 1 | LABEL, SWITCH | | | |
| 10 | | C450-000022 | 1 | TRIGGER,THROTTLE | | | |
| 11 | | V452-000050 | 1 | SPRING,TORSION | | | |
| 12 | | V430-000490 | 1 | CABLE,BOWDEN | | | |
| 13 | | 900502-00006 | 2 | NUT 6 (3N) | 3N6 | | |
| 14 | | V475-004360 | 1 | TUBE | 7*380 | | |
| 15 | | C460-000011 | 1 | LOCKOUT,THROTTLE | | | |
| 16 | | V452-000060 | 1 | SPRING,TORSION | | | |

10. GEAR CASE



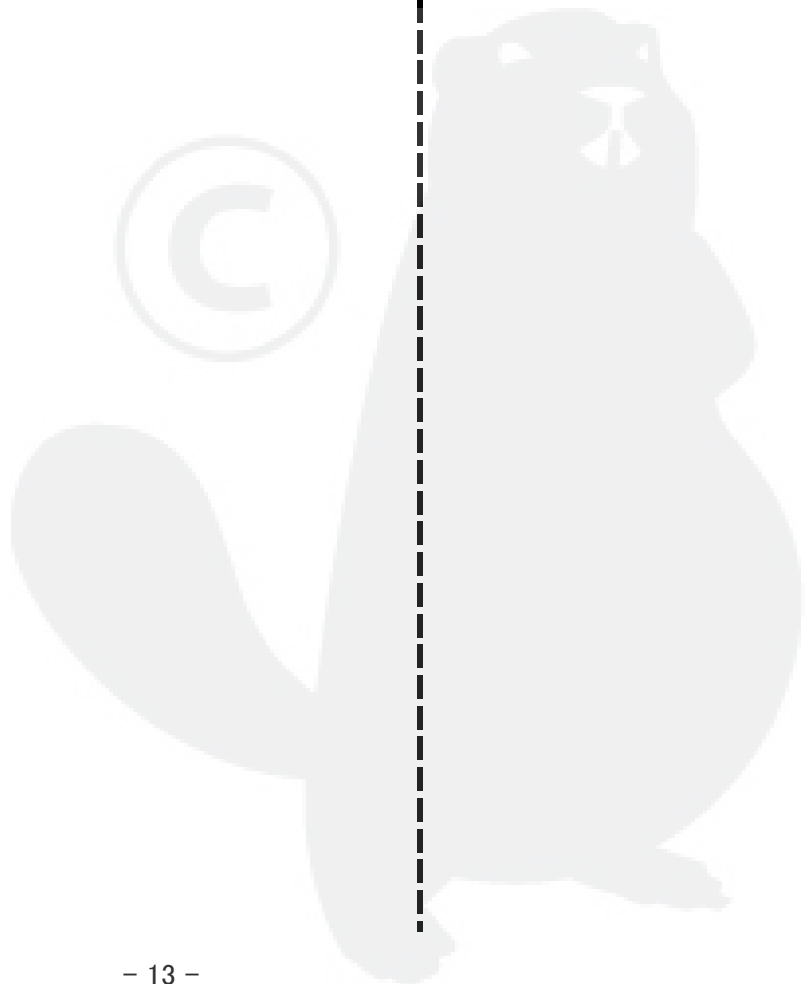
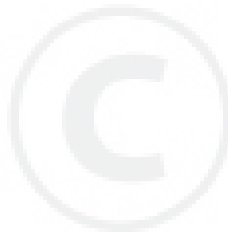
| KEY | LV | PART NUMBER | Q'TY | DESCRIPTION | REMARKS | NOTE1 | NOTE2 |
|-----|----|-------------|------|------------------|------------------|-------|-------|
| 1 | | A556-000490 | 1 | DRUM, CLUTCH | | | |
| 2 | | C080-000001 | 1 | HANDLE,ASM | W/CAUTION LABEL | | |
| 3 | + | X505-000920 | 1 | LABEL,CAUTION | EA-400 HANDLE | | |
| 4 | | C403-000050 | 1 | GRIP,HANDLE | | | |
| 5 | | V713-000000 | 3 | BEARING,3/4 BALL | | | |
| 6 | | C534-000141 | 1 | SHAFT,GEAR | | | |
| 7 | | C531-000150 | 1 | CASE,GEAR | | | |
| 8 | | V712-000000 | 2 | BEARING,5/8 BALL | R10 1.375 X .625 | | |
| 9 | | V582-000000 | 3 | RING,SNAP | ARDISAM 8924 | | |
| 10 | | V650-000090 | 1 | GEAR,SPUR | ARDISAM 8914 | | |
| 11 | | V624-000020 | 2 | PIN,STRAIGHT 6 | 1/4 X 1/2 | | |
| 12 | | C534-000150 | 1 | SHAFT,GEAR | | | |
| 13 | | V650-000100 | 1 | GEAR,SPUR | 44 TEETH | | |
| 14 | | V110-000020 | 1 | GASKET,GEAR CASE | | | |
| 15 | | C531-000160 | 1 | CASE,GEAR | | | |
| 16 | | 95070-17200 | 4 | SCREW,SOCKET | 1/4-20 X 2" | | |
| 17 | | 95070-17150 | 2 | SCREW,SOCKET | 1/4-20 X 1-1/2" | | |
| 18 | | C504-000120 | 1 | SHAFT,DRIVE | | | |
| 19 | | X602-000020 | 1 | TOOL,WRENCH | 17*19 L200 | | |

Index

| Patrs Number | Key No. | Patrs Number | Key No. | Patrs Number | Key No. |
|---------------------|----------------|---------------------|----------------|---------------------|----------------|
| 100011-10530 | 8 - 8 | 890157-12330 | 9 - 9 | A300-000280 | 4 - 8 |
| 100012-12331 | 8 - 12 | 890332-52730 | 2 - 18 | A313-000340 | 4 - 2 |
| 100213-00310 | 8 - 20 | 900105-05055 | 2 - 5 | A320-000111 | 1 - 5 |
| 100213-05530 | 8 - 15 | 900105-06060 | 4 - 6 | A350-000131 | 5 - 16 |
| 100215-03930 | 8 - 16 | 900106-05012 | 1 - 4 | A390-000000 | 5 - 30 |
| 123112-40630 | 3 - 24 | 900106-05012 | 1 - 9 | A390-000010 | 5 - 29 |
| 123114-40630 | 3 - 4 | 900106-05012 | 5 - 31 | A393-000030 | 5 - 32 |
| 123122-05560 | 3 - 14 | 900106-05020 | 1 - 6 | A393-000050 | 5 - 3 |
| 123123-03930 | 3 - 16 | 900106-05020 | 5 - 1 | A411-000050 | 7 - 2 |
| 123126-10631 | 3 - 13 | 900106-05025 | 1 - 1 | A426-000000 | 7 - 6 |
| 123137-19830 | 3 - 15 | 900106-05025 | 2 - 14 | A427-000000 | 7 - 7 |
| 123138-03930 | 3 - 17 | 900106-05025 | 5 - 2 | A440-000382 | 9 - 6 |
| 123139-05560 | 3 - 18 | 900162-05012 | 4 - 9 | A551-000041 | 6 - 1 |
| 123140-27230 | 3 - 30 | 900162-05020 | 6 - 2 | A553-000030 | 6 - 9 |
| 123143-12110 | 3 - 22 | 900162-05020 | 6 - 4 | A556-000490 | 10 - 1 |
| 123144-44330 | 3 - 20 | 900162-05020 | 7 - 1 | A557-000000 | 6 - 7 |
| 123149-54230 | 3 - 7 | 900162-05020 | 8 - 4 | C080-000001 | 10 - 2 |
| 123172-45130 | 3 - 6 | 900162-05035 | 8 - 21 | C403-000050 | 10 - 4 |
| 123173-07930 | 3 - 8 | 900235-05030 | 9 - 3 | C450-000022 | 9 - 10 |
| 123181-39130 | 2 - 10 | 900242-04010 | 4 - 1 | C460-000011 | 9 - 15 |
| 131004-55530 | 5 - 17 | 900253-04016 | 9 - 2 | C504-000120 | 10 - 18 |
| 131016-55830 | 5 - 18 | 900323-03014 | 7 - 12 | C531-000150 | 10 - 7 |
| 131051-56030 | 5 - 19 | 900500-00005 | 9 - 4 | C531-000160 | 10 - 15 |
| 131205-19831 | 5 - 23 | 900502-00006 | 9 - 13 | C534-000141 | 10 - 6 |
| 131300-56430 | 5 - 28 | 900502-00008 | 5 - 11 | C534-000150 | 10 - 12 |
| 132010-53630 | 5 - 21 | 900519-00010 | 7 - 13 | P003-000090 | 3 - 31 |
| 132012-02960 | 5 - 26 | 900810-36202 | 8 - 18 | P003-000100 | 3 - 23 |
| 132012-39331 | 2 - 9 | 91545-03010 | 9 - 7 | P003-000180 | 3 - 3 |
| 132013-26630 | 5 - 22 | 94035-36201 | 8 - 17 | P003-001130 | 3 - 10 |
| 132013-26630 | 5 - 27 | 95070-17150 | 10 - 17 | P003-001490 | 3 - 12 |
| 132115-55930 | 5 - 20 | 95070-17200 | 10 - 16 | P003-001500 | 3 - 19 |
| 145862-40630 | 4 - 5 | A011-000120 | 8 - 13 | P021-002471 | 8 - 14 |
| 145863-04560 | 4 - 3 | A014-000030 | 8 - 1 | P021-002481 | 6 - 5 |
| 145866-42031 | 4 - 4 | A021-001171 | 2 - 12 | P021-002612 | 9 - 1 |
| 156114-04920 | 7 - 4 | A021-001171 | 3 - | P021-005911 | 7 - 11 |
| 159010-10230 | 7 - 10 | A051-000190 | 5 - 4 | P021-009590 | 2 - 7 |
| 159025-37530 | 8 - 2 | A052-000011 | 5 - 12 | P021-012110 | 2 - 1 |
| 162010-55630 | 7 - 3 | A128-000060 | 2 - 16 | P021-014260 | 8 - 7 |
| 163410-49231 | 9 - 8 | A130-000880 | 8 - 5 | P022-002080 | 5 - 7 |
| 175049-03920 | 6 - 10 | A160-000241 | 1 - 10 | P022-002100 | 5 - 13 |
| 177218-40630 | 5 - 15 | A161-000080 | 1 - 2 | V100-000040 | 8 - 6 |
| 177220-06310 | 5 - 9 | A162-000020 | 1 - 8 | V102-000001 | 8 - 19 |
| 177226-06310 | 5 - 8 | A172-000230 | 6 - 3 | V103-000070 | 2 - 17 |
| 177227-42030 | 5 - 10 | A200-000060 | 2 - 15 | V103-000080 | 2 - 13 |
| 177228-27030 | 5 - 5 | A226-000360 | 2 - 4 | V104-000241 | 4 - 10 |
| 177234-40630 | 5 - 14 | A232-000390 | 2 - 2 | V110-000020 | 10 - 14 |
| 177236-06910 | 5 - 6 | A239-000050 | 2 - 8 | V141-000020 | 7 - 8 |
| 178121-10050 | 9 - 5 | A244-000010 | 2 - 6 | V150-000550 | 4 - 7 |
| 437215-20760 | 5 - 24 | A259-000000 | 3 - 2 | V162-000130 | 9 - 17 |

Index

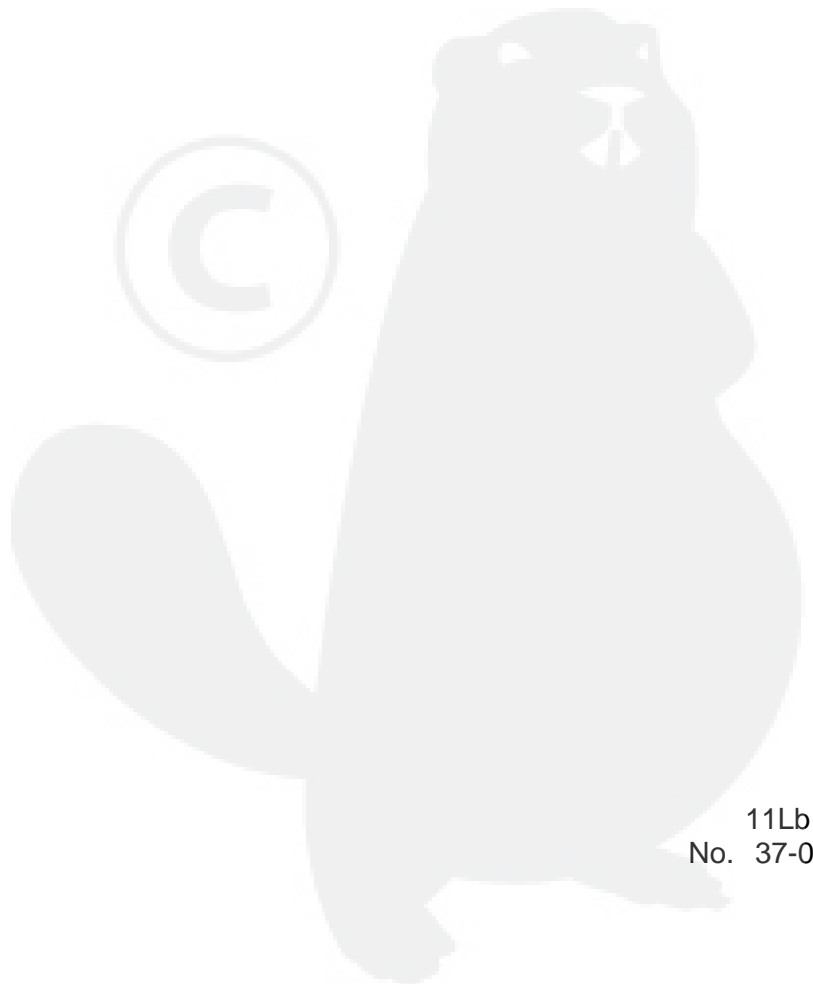
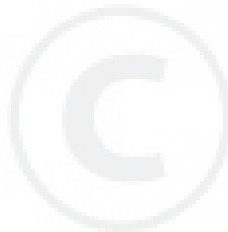
| Patrs Number | Key No. | Patrs Number | Key No. | Patrs Number | Key No. |
|--------------|---------|--------------|---------|--------------|---------|
| V186-000080 | 5 - 25 | | | | |
| V253-000100 | 2 - 3 | | | | |
| V307-000060 | 8 - 11 | | | | |
| V346-000000 | 6 - 8 | | | | |
| V353-000020 | 1 - 7 | | | | |
| V354-000100 | 1 - 3 | | | | |
| V430-000490 | 9 - 12 | | | | |
| V451-000480 | 6 - 6 | | | | |
| V452-000050 | 9 - 11 | | | | |
| V452-000060 | 9 - 16 | | | | |
| V471-001560 | 2 - 11 | | | | |
| V475-001610 | 7 - 5 | | | | |
| V475-004360 | 9 - 14 | | | | |
| V580-000010 | 8 - 10 | | | | |
| V582-000000 | 10 - 9 | | | | |
| V608-000000 | 8 - 9 | | | | |
| V624-000020 | 10 - 11 | | | | |
| V650-000090 | 10 - 10 | | | | |
| V650-000100 | 10 - 13 | | | | |
| V712-000000 | 10 - 8 | | | | |
| V713-000000 | 10 - 5 | | | | |
| X505-000920 | 10 - 3 | | | | |
| X505-002310 | 1 - 11 | | | | |
| X547-001460 | 5 - 33 | | | | |
| X602-000020 | 10 - 19 | | | | |



YAMABIKO CORPORATION

7-2 SUEHIROCHO 1-CHOME, OHME, TOKYO 198-8760, JAPAN
PHONE: 81-428-32-6118. FAX: 81-428-32-6145.

ECHO®



11Lb
No. 37-001