



PARTS CATALOG

DUSTER / MIST BLOWER

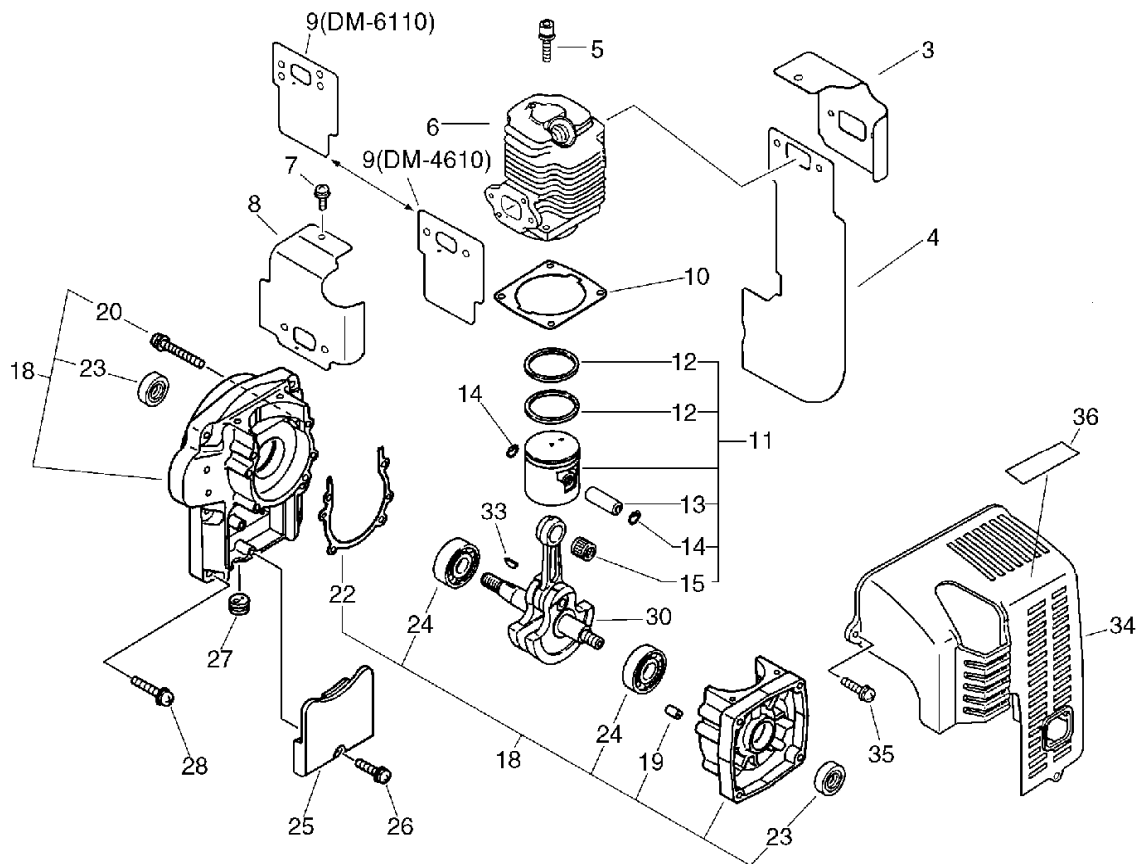
DM-4610,6110



DM-4610,6110

1. Cylinder, Crankcase, Piston

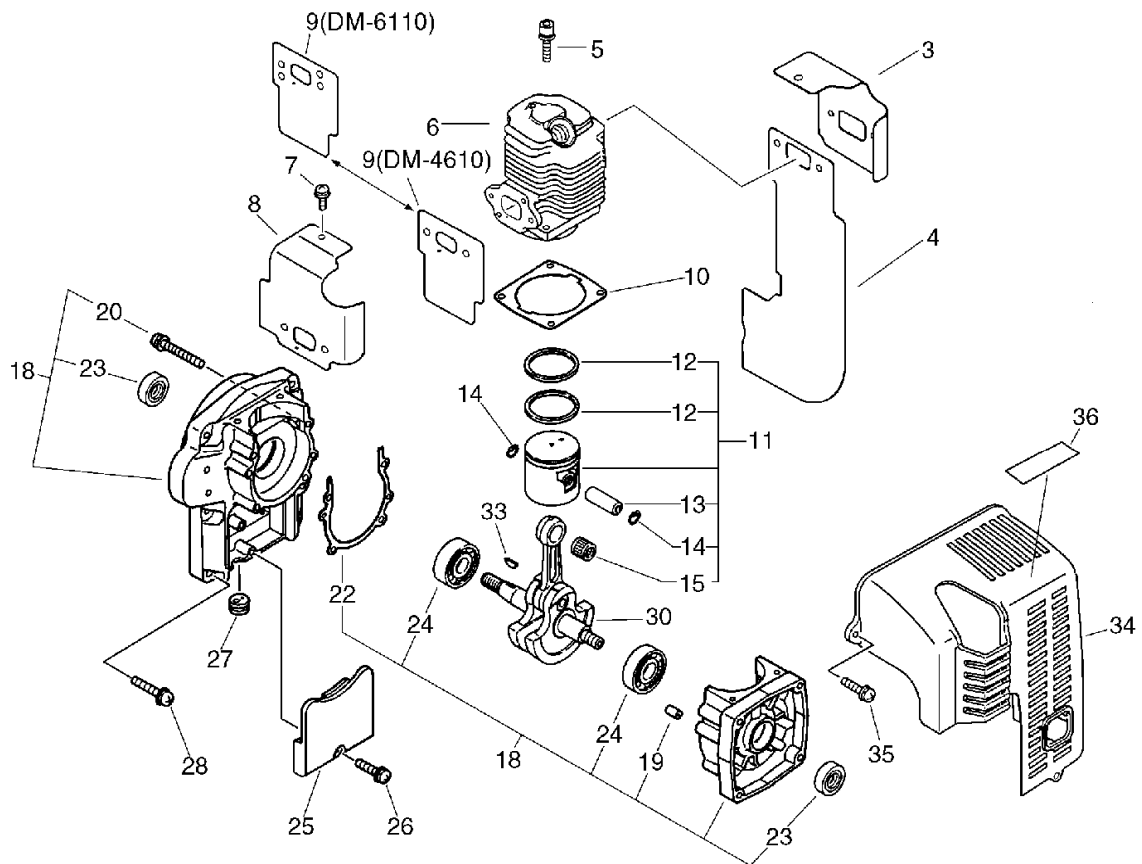
No.1



KEY	LV	PART NUMBER	Q'TY	DESCRIPTION	REMARKS	NOTE1	NOTE2
3		101514-06210	1	COVER, CYLINDER			
4		145512-06210	1	GASKET, MUFFLER		Sus. by 145512-06211	
4		145512-06211	1	GASKET, MUFFLER			
5		900162-05020	4	BOLT, H.S. 5*20	5*20 W,SW		
6		101011-08261	1	CYLINDER		DM-4610	
6		101011-06310	1	CYLINDER		DM-6110	
7		900242-05010	1	SCREW 5*10	5*10		
8		101514-06410	1	COVER, CYLINDER		DM-4610	
8		101576-06210	1	COVER, CYLINDER		DM-6110	
9		130010-06410	1	GASKET, INTAKE		DM-4610	
9		130016-06211	1	GASKET, INTAKE		DM-6110	
10		101010-10722	1	GASKET, CYL. BASE		DM-4610	
10		101010-06211	1	GASKET, CYL. BASE		DM-6110	
11		100000-03210	1	PISTON KIT		DM-4610	
11		100000-06210	1	PISTON KIT		DM-6110	
12	+	100011-10530	2	RING, PISTON		DM-4610	
12	+	100011-32330	2	RING, PISTON		DM-6110	
13	+	100013-00410	1	PIN, PISTON	6*10*29.8	DM-4610	
13	+	100013-06210	1	PIN, PISTON		DM-6110	
14	+	100015-00120	2	CIRCLIP, PISTON PIN			
15	+	100012-12331	1	BEARING, NEEDLE			
18		100204-08261	1	CRANKCASE KIT			
19	+	100215-03930	2	PIN, DOWEL			
20	+	900242-05040	4	SCREW 5*40	5*40		
22	+	100242-10721	1	GASKET, CRANKCASE			

1. Cylinder, Crankcase, Piston

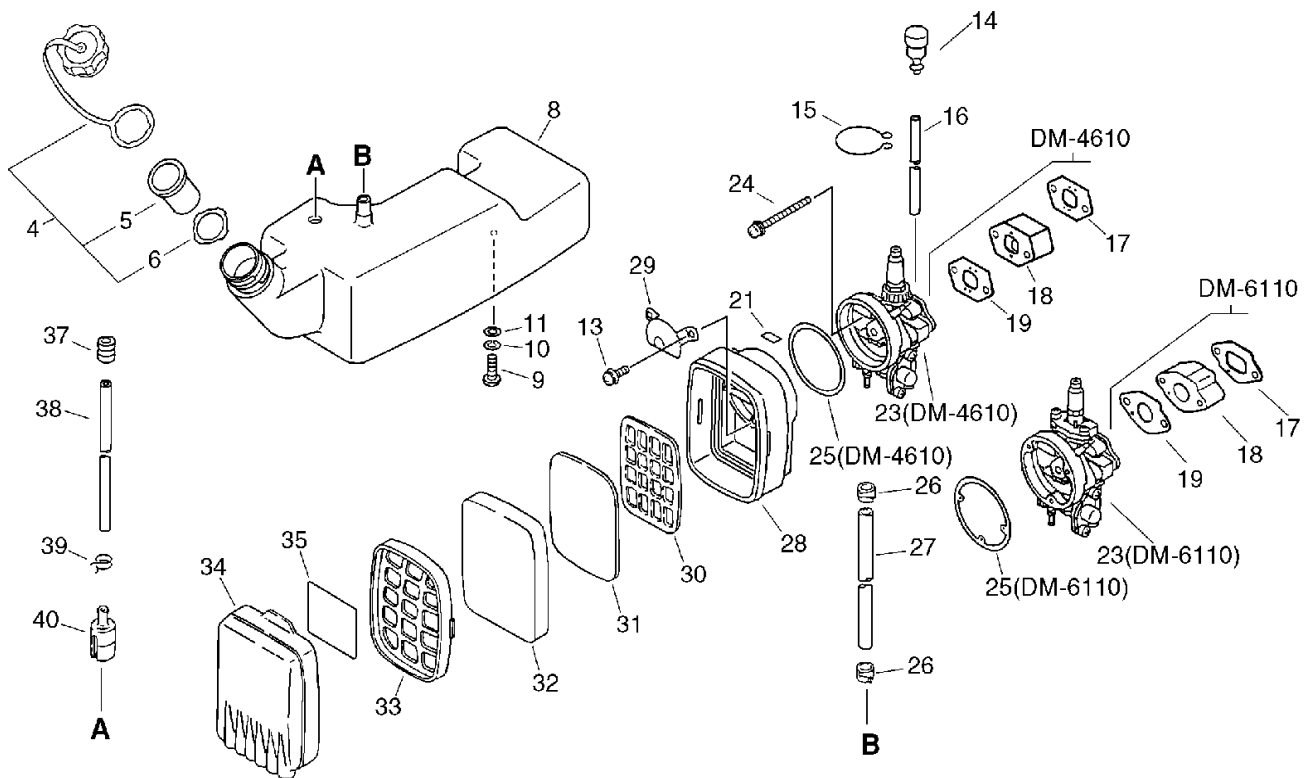
No.1



KEY	LV	PART NUMBER	Q'TY	DESCRIPTION	REMARKS	NOTE1	NOTE2
23	+	100213-00310	2	OILSEAL	ISCD 15 25 7		
24	+	900810-36202	2	BEARING, BALL 6202	6202/C3		
25		159129-08260	1	COVER, DUST			
26		900242-05018	1	SCREW 5*18	5*18		
27		150112-00310	1	BUSHING			
28		900292-05025	6	SCREW 5*25	5*25 SUS		
30		100100-06210	1	CRANKSHAFT ASSY			
33		900323-03014	1	KEY WOODRUFF	3*14		
34		104016-06410	1	COVER, ENGINE			
35		900292-05020	3	SCREW 5*20	5*20 SUS		
36		890160-06360	1	LABEL, CAUTION		Sus. by 890160-06361	
36		890160-06361	1	LABEL, CAUTION			

2. Air Cleaner, Fuel Tank

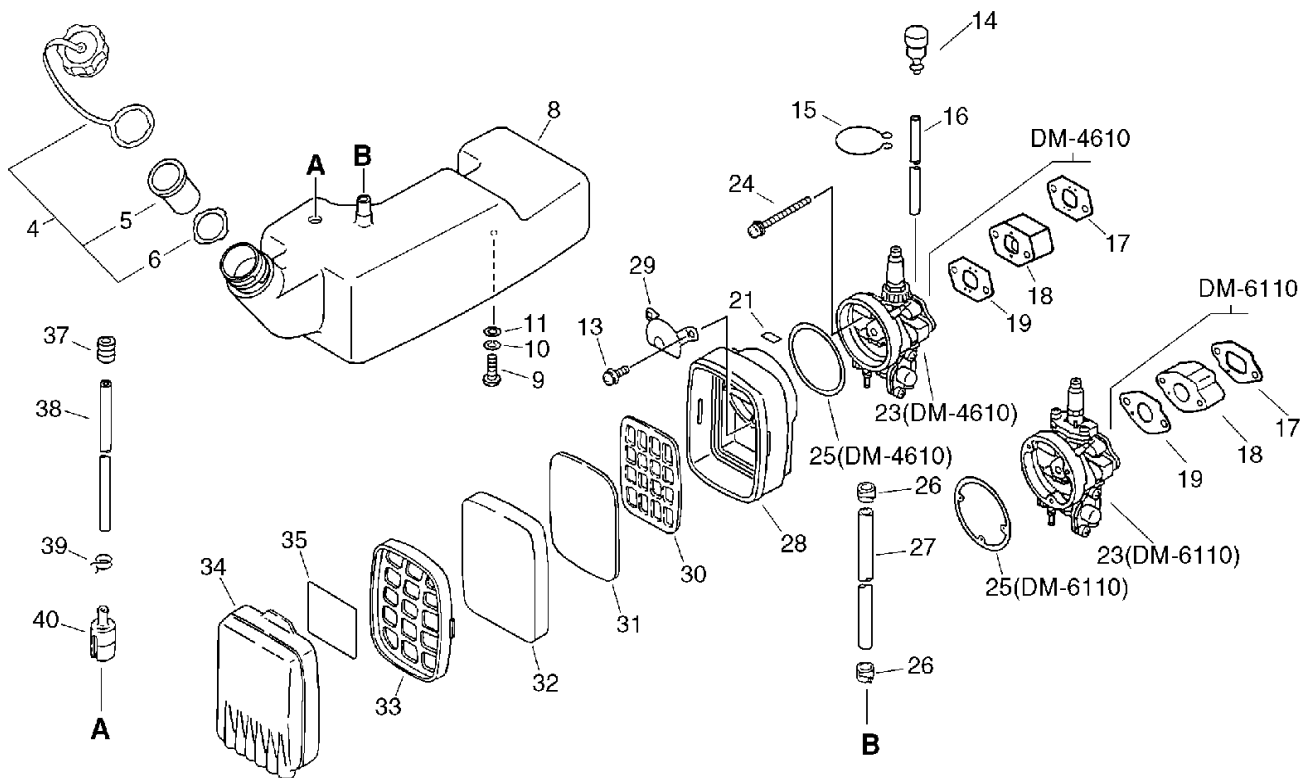
No.2



KEY	LV	PART NUMBER	Q'TY	DESCRIPTION	REMARKS	NOTE1	NOTE2
4		131600-21060	1	CAP ASSY, FUEL TANK			
5	+	131003-05330	1	CUP SET, VENT			
6	+	131016-21060	1	GASKET, FUEL CAP			
8		131005-06211	1	TANK, FUEL		Sus. by 131005-06213	
8		131005-06212	1	TANK, FUEL		Sus. by 131005-06213	
8		131005-06213	1	TANK, FUEL			
9		900220-06014	2	SCREW +-SR 6*14	6*14		
10		900605-00006	2	WASHER, SPRING 6	6		
11		145642-00760	2	WASHER 6.5*18*1.6	6.5*18*1.6		
13		900242-04014	2	SCREW 4*14	4*14	DM-4610	
13		900242-04014	3	SCREW 4*14	4*14	DM-6110	
14		132001-05510	1	VALVE, CHECK			
15		132013-05060	1	CLIP, PIPE			
16		132010-06530	1	PIPE 3*6* 85	3*6* 85		
17		130016-06410	1	GASKET, INTAKE		DM-4610	
17		130010-06210	1	GASKET, INTAKE		DM-6110	
18		130017-06410	1	INSULATOR		DM-4610	
18		130017-06210	1	INSULATOR		DM-6110	
19		130016-06110	1	GASKET, INTAKE		DM-4610	
19		130016-05510	1	GASKET, CARBURETOR		DM-6110	
21		890121-21430	1	LABEL, CHOKE			
23		124200-06410	1	CARBURETOR ASSY	K13PR-6E	DM-4610	
23		124200-06210	1	CARBURETOR ASSY	K15PR-5C	DM-6110	
24		900242-05055	2	SCREW 5*55 (W/W.SW)	5*55	DM-4610	

2. Air Cleaner, Fuel Tank

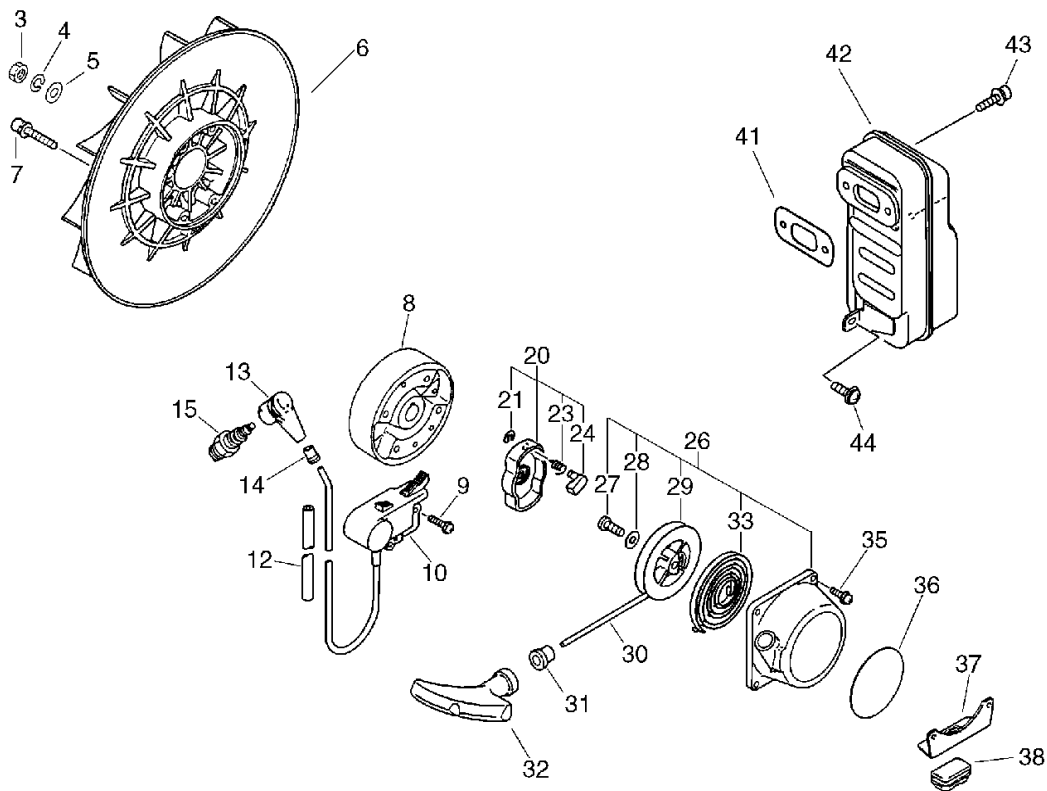
No.2



KEY	LV	PART NUMBER	Q'TY	DESCRIPTION	REMARKS	NOTE1	NOTE2
24		900242-06065	2	SCREW 6*65	6*65	DM-6110	
25		130320-05810	1	SEAL, CLEANER		DM-4610	
25		130320-05510	1	GASKET, INTAKE		DM-6110	
26		357013-00210	2	CLIP 11	11≧J	Sus. by 132013-14010	
26		132013-14010	2	BAND	10.5MM		
27		132010-06410	1	PIPE	5/16*7/16*75YL		
28		130307-03711	1	CASE, AIR CLEANER		DM-4610	
28		130314-05510	1	CASE, AIR CLEANER		DM-6110	
29		129011-05110	1	PLATE		DM-4610	
30		130319-03710	1	GRID, AIR CLEANER			
31		130317-03710	1	FILTER, AIR			
32		130310-02910	1	FILTER, AIR			
33		130311-03710	1	GRID, AIR CLEANER			
34		130313-03710	1	COVER, AIR CLEANER			
35		890187-03710	1	LABEL, CLEANER			
37		132115-12330	1	GROMMET			
38		132010-35430	1	PIPE 3*6*230	3*6*230		
39		132013-26630	1	CLIP	6.5MM		
40		131205-19830	1	STRAINER, FUEL			

3. Starter, Magneto, Muffler

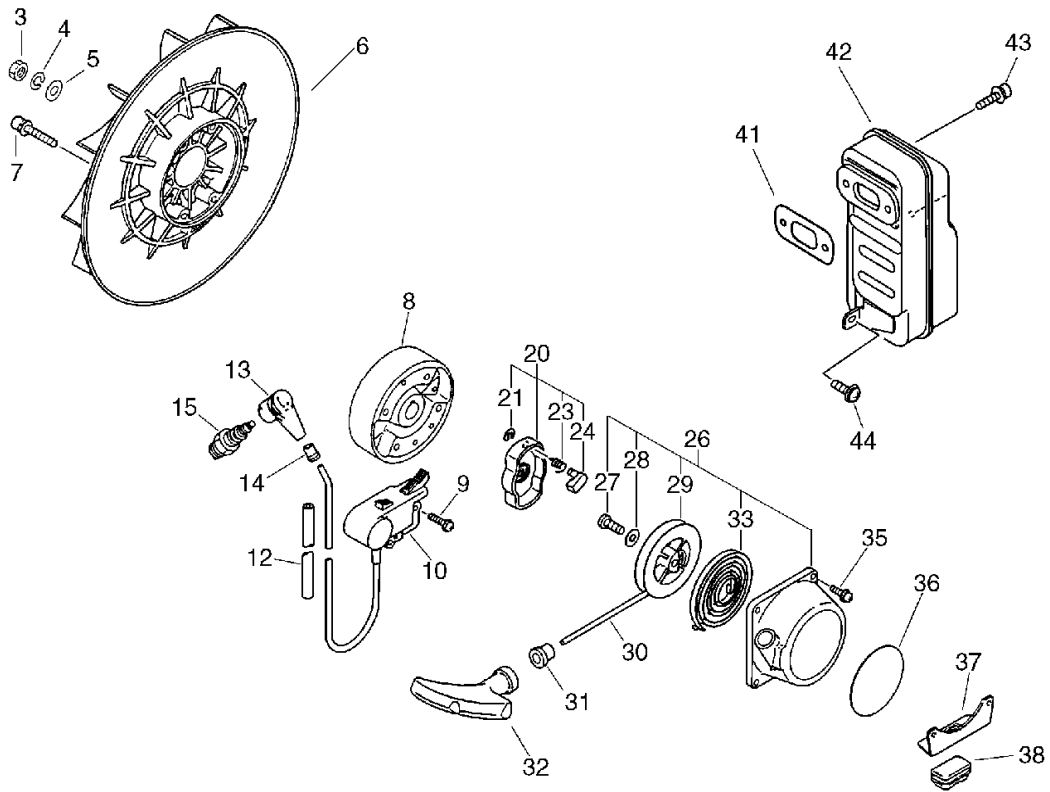
No.3



KEY	LV	PART NUMBER	Q'TY	DESCRIPTION	REMARKS	NOTE1	NOTE2
3		900501-00010	1	NUT 10*1.25	10*P1.25		
4		900605-00010	1	WASHER, SPRING 10	10		
5		900602-00010	1	WASHER 10(10.5*21*2)	10.5*21*2		
6		200005-06210	1	FAN			
7		900148-05035	4	BOLT 5*35	5*35		
8		156800-06161	1	ROTOR, MAGNETO			
9		900242-05018	2	SCREW 5*18	5*18		
10		156601-06211	1	C.D. IGNITION MODULE			
12		156611-04260	1	TUBE	6*8*340		
13		159012-10230	1	CAP, SPARK PLUG			
14		159016-05330	1	ADAPTER, PLUG CAP			
15		159010-10230	1	PLUG, SPARK (BPMR-7A)	BPMR-7A		
20		177202-06210	1	PAWL ASSY, STARTER			
21	+	900700-00004	1	E-RING 4	CE-4		
23	+	177234-40630	1	SPRING, RETURN			
24	+	177218-40630	1	PAWL, STARTER	WHITE		
26		177200-06210	1	STARTER ASSY			
27	+	177236-40630	1	SCREW			
28	+	177214-40630	1	WASHER			
29	+	177215-11120	1	DRUM, STARTER			
30	+	177226-11120	1	ROPE, STARTER	3.8*1400		
31	+	177227-42030	1	GUIDE, ROPE			
32	+	177228-11120	1	GRIP, STARTER			
33	+	177220-11120	1	REWIND SPRING			
35		900292-04018	4	SCREW 4*18	4*18 SUS		
36		890118-49330	1	LABEL, ECHO			

3. Starter, Magneto, Muffler

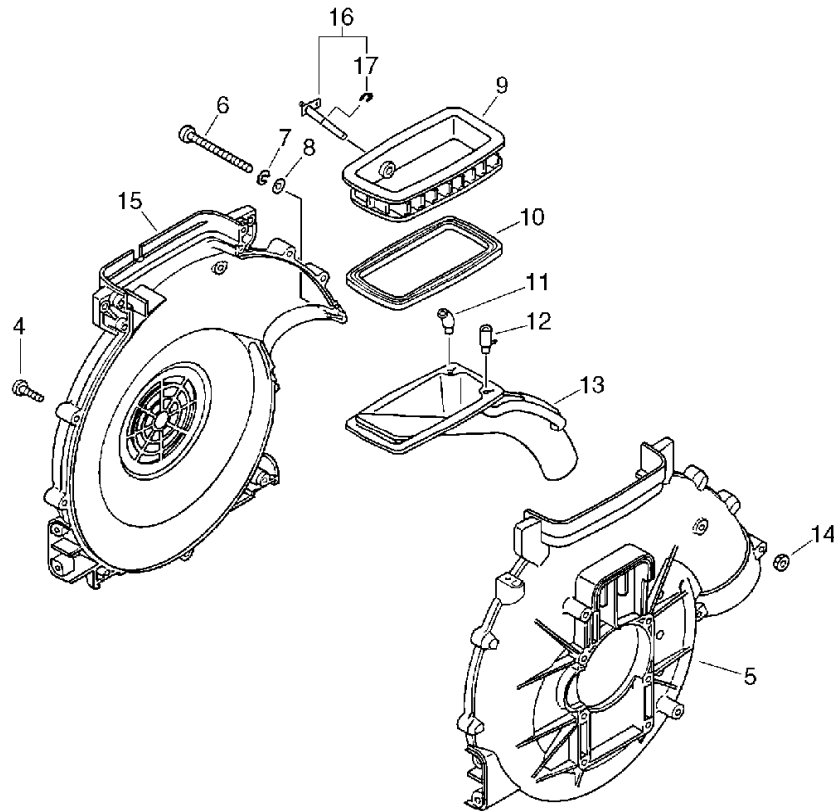
No.3



KEY	LV	PART NUMBER	Q'TY	DESCRIPTION	REMARKS	NOTE1	NOTE2
37		300029-06210	1	PLATE, ANGLE			
38		305117-03360	1	CUSHION			
41		145510-06210	1	GASKET, MUFFLER		Sus. by 145510-06211	
41		145510-06211	1	GASKET, MUFFLER			
42		145610-06210	1	MUFFLER		Sus. by 145610-06212	
42		145610-06211	1	MUFFLER		Sus. by 145610-06212	
42		145610-06212	1	MUFFLER			
43		900105-06020	2	BOLT, H.S. 6*20	6*20		
44		900242-05014	1	SCREW 5*14	5*14		

4. Fan Case, Lower Tank

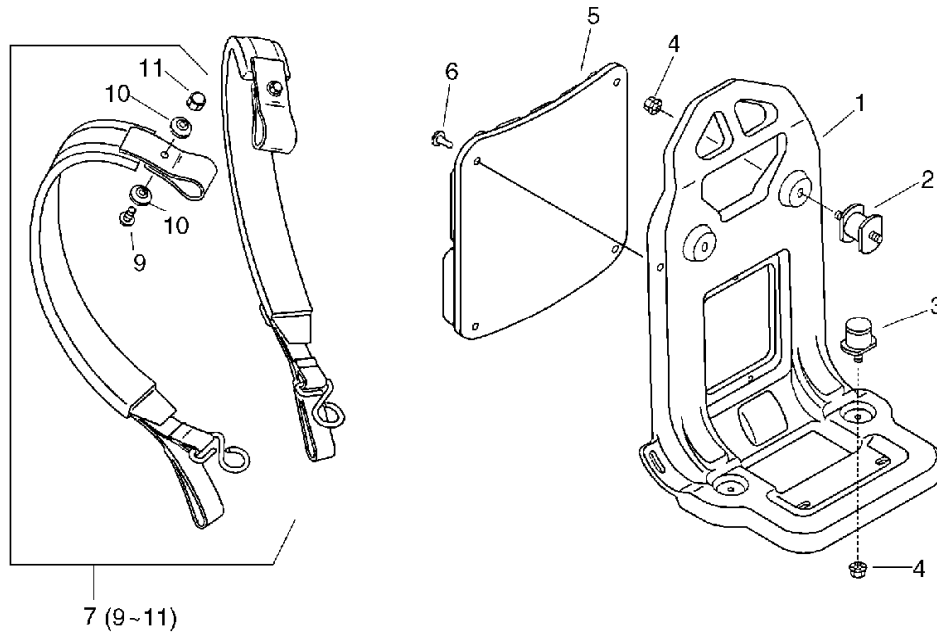
No.4



KEY	LV	PART NUMBER	Q'TY	DESCRIPTION	REMARKS	NOTE1	NOTE2
4		900286-05025	11	SCREW 5*25 SUS	5*25 SUS		
5		200107-07711	1	CASE, FAN			
6		210425-04110	2	BOLT			
7		900609-00005	2	WASHER, SPRING 5 SUS	5 SUS		
8		900604-00005	2	WASHER 5 SUS	5 SUS		
9		270010-06211	1	TANK, LOWER			
10		270018-06210	1	PACKING			
11		370321-06210	1	PLATE			
12		370316-06210	1	GUIDE, AIR			
13		370301-06211	1	PIPE, DUST OUTLET			
14		900504-00005	2	NUT 5B	5B		
15		200105-07710	1	CASE, FAN		Sus. by 200105-07711	
15		200105-07711	1	CASE, FAN			
16		701033-06211	1	PIN, STRAIGHT 10			
17	+	900703-00008	1	E-RING 8 SUS	CE-8 SUS		

5. Harness

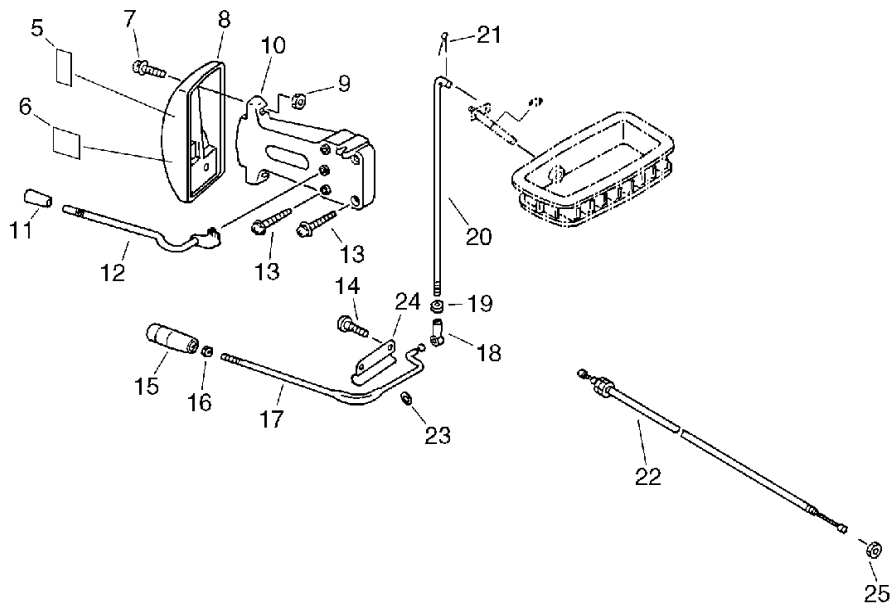
No.5



KEY	LV	PART NUMBER	Q'TY	DESCRIPTION	REMARKS	NOTE1	NOTE2
1		300010-07310	1	FRAME, BACKPACK		Sus. by 300010-07311	
1		300010-07311	1	FRAME, BACKPACK			
2		200910-06210	2	CUSHION			
3		200916-03210	2	CUSHION			
4		250916-06210	4	NUT			
5		300111-14010	1	CUSHION, KNAPSACK			
6		300333-06160	4	CLIP			
7		300302-07410	2	HARNESS, W/PAD			
9	+	900216-05016	2	SCREW, 5*16	5*16		
10	+	300328-03210	4	WASHER, HARNESS			
11	+	900560-00005	2	NUT, LOCK 5	5		

6. Control Lever

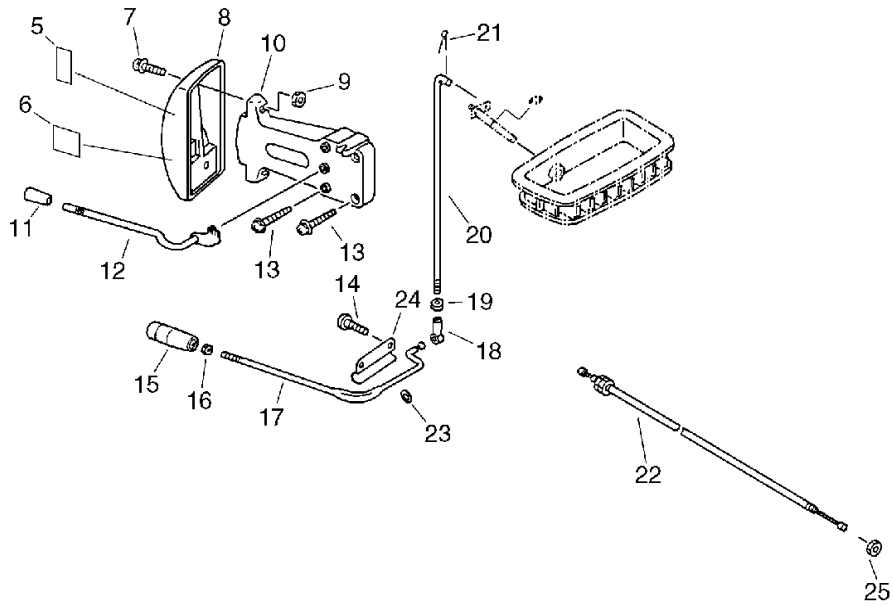
No.6



KEY	LV	PART NUMBER	Q'TY	DESCRIPTION	REMARKS	NOTE1	NOTE2
5		890348-05060	1	LABEL, SPEED			
6		890157-39130	1	LABEL, SWITCH			
7		900292-05025	2	SCREW 5*25	5*25 SUS		
8		701111-06210	1	DIAL		Sus. by 701111-06212	
8		701111-06211	1	DIAL		Sus. by 701111-06212	
8		701111-06212	1	DIAL			
9		900504-00005	2	NUT 5B	5B		
10		701112-06410	1	BRACKET, DIAL			
11		701021-02910	1	KNOB, LEVER			
12		178005-06410	1	LEVER, THROTTLE		Sus. by 178005-06411	
12		178005-06411	1	LEVER, THROTTLE			
13		900286-05025	4	SCREW 5*25 SUS	5*25 SUS		
14		900292-05014	2	SCREW 5*14	5*14 SUS		
15		701007-06610	1	KNOB, LEVER			
16		900502-00006	1	NUT 6 (3N)	3N6		
17		701010-06610	1	LEVER, CONTROL			
18		701020-05510	1	CONNECTOR			
19		900500-00005	1	NUT 5	5		
20		701014-06510	1	ROD, CONTROL LEVER			
21		605612-06510	1	PIN, SNAP			
22		178001-05810	1	WIRE, THROTTLE		DM-4610	
22		178001-05510	1	WIRE, THROTTLE		DM-6110	
23		900600-00008	1	WASHER 8	8		

6. Control Lever

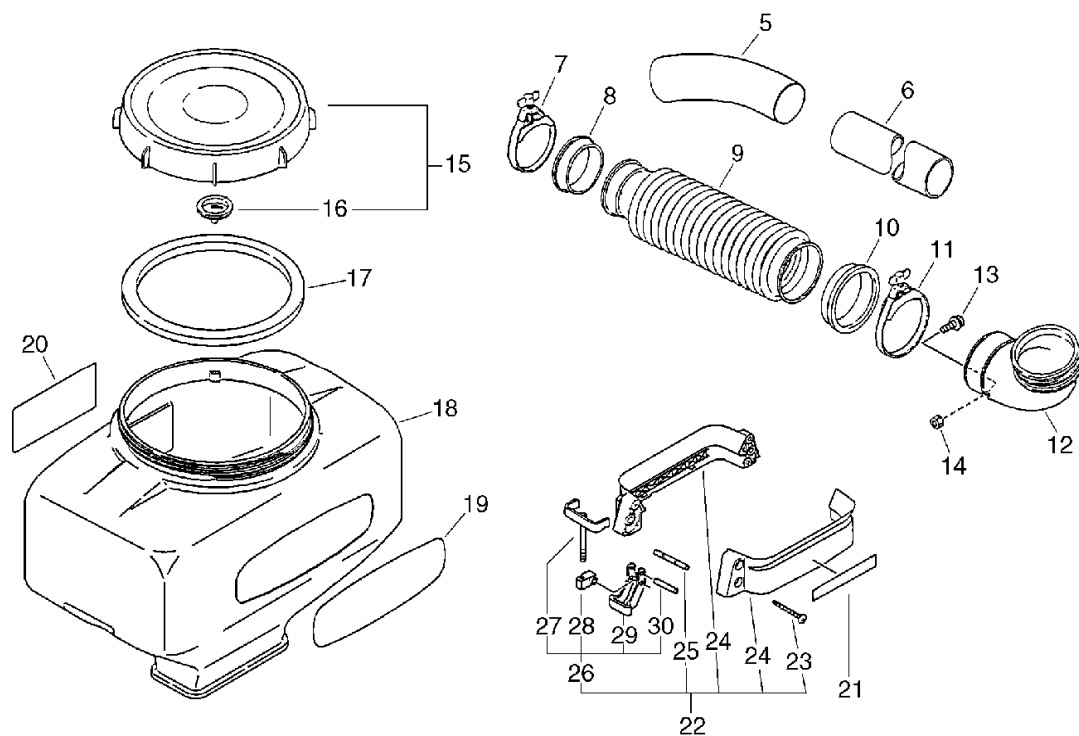
No.6



KEY	LV	PART NUMBER	Q'TY	DESCRIPTION	REMARKS	NOTE1	NOTE2
24		701028-06210	1	HOLDER, STOPPER			
25		900503-00006	1	NUT (3N 6*0.75)	3N 6*0.75	DM-4610	

7. Chemical Tank

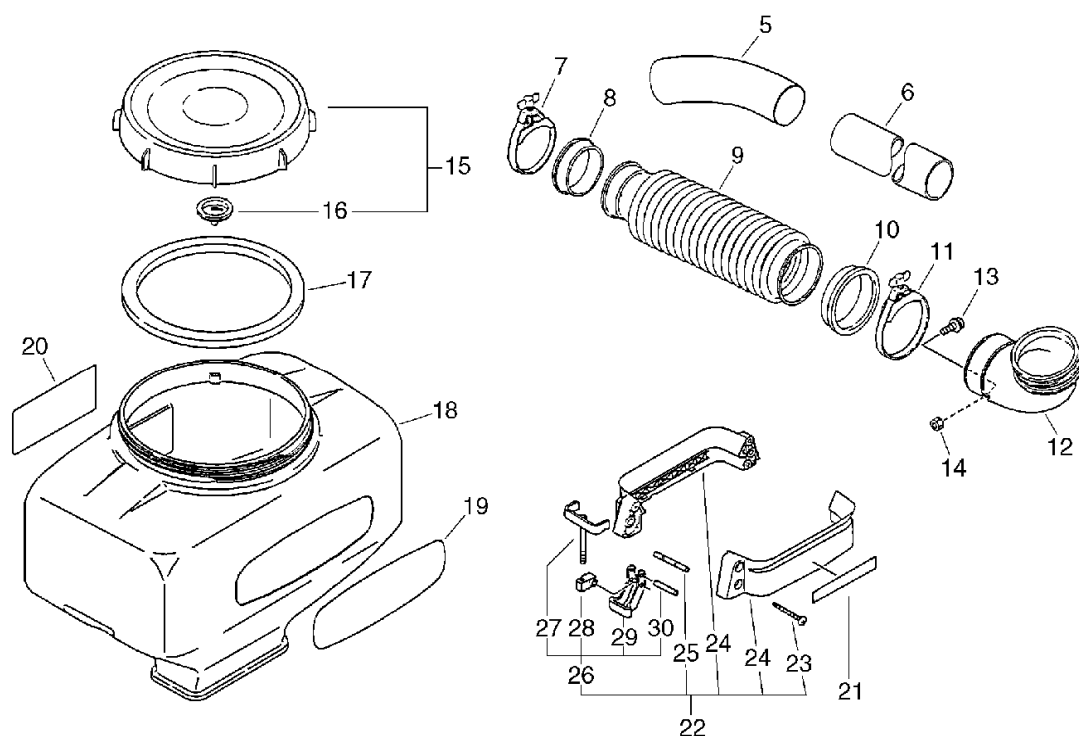
No.7



KEY	LV	PART NUMBER	Q'TY	DESCRIPTION	REMARKS	NOTE1	NOTE2
5		210023-00210	1	PIPE, CURVED (GY)			
6		210014-01610	1	PIPE, STRAIGHT			
7		210407-01110	1	CLAMP, FLEXIBLE PIPE			
8		210032-04110	1	PACKING, FLX. PIPE			
9		210013-04111	1	PIPE, FLEXIBLE			
10		210036-04110	1	GASKET, FLX. PIPE			
11		210407-04110	1	CLAMP, FLEXIBLE PIPE			
12		210011-05510	1	ELBOW, BLOWING			
13		900242-05014	1	SCREW 5*14	5*14		
14		900500-00005	1	NUT 5	5		
15		250001-05610	1	CAP, CHEMICAL TANK			
16	+	250013-00310	1	CAP, INSIDE			
17		250011-02011	1	PACKING			
18		E110-000030	1	TANK,CHEMICAL		Sus. by E110-000032	
18		E110-000031	1	TANK,CHEMICAL	13L	Sus. by E110-000032	
18		E110-000032	1	TANK,CHEMICAL	13L	13L	
18		250017-08010	1	TANK, CHEMICAL		23L(OPTION)	
19		890138-01110	1	LABEL, ECHO		13L	
19		890118-04261	1	LABEL, ECHO		23L(OPTION)	
20		890160-09460	1	LABEL, CAUTION		Sus. by 890160-09461	
20		890160-09461	1	LABEL, CAUTION			
21		890151-08010	1	LABEL, MODEL		DM-4610	
21		890151-08110	1	LABEL, MODEL		DM-6110	

7. Chemical Tank

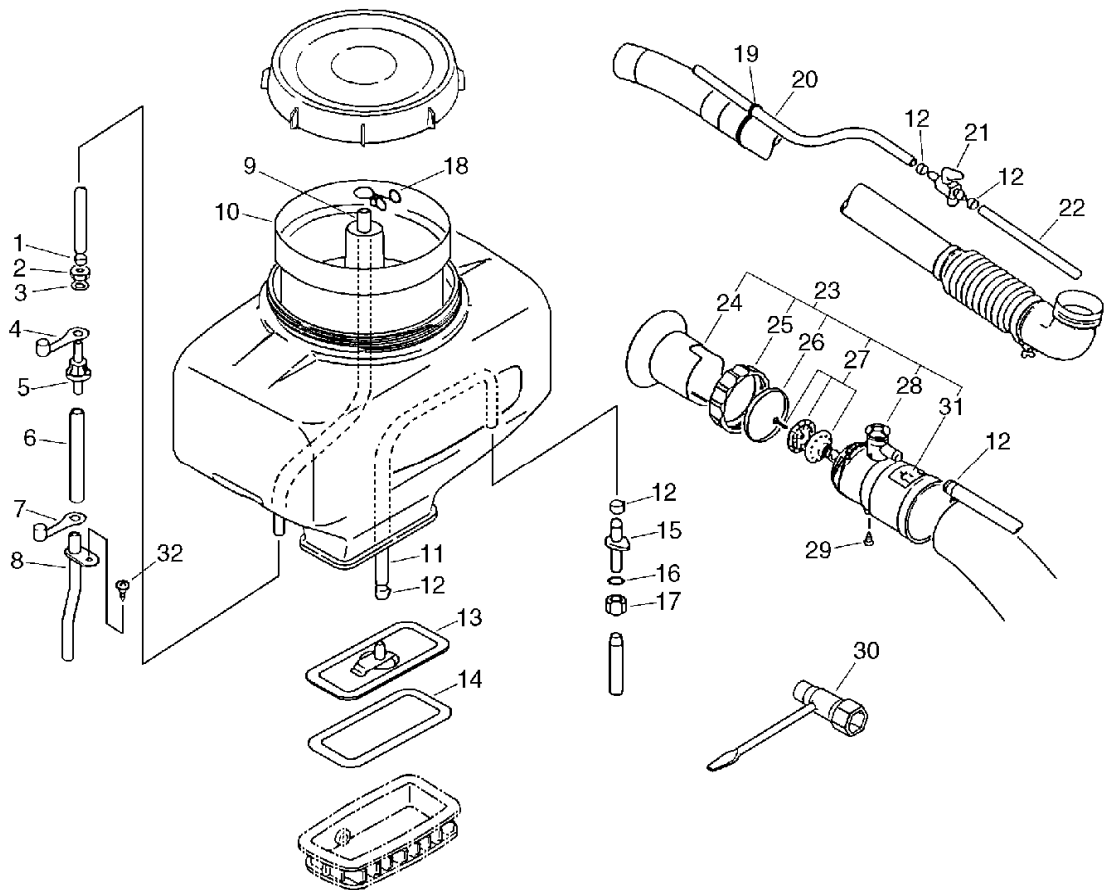
No.7



KEY	LV	PART NUMBER	Q'TY	DESCRIPTION	REMARKS	NOTE1	NOTE2
22		270000-06310	1	HOLDER ASSY, C.TANK		Sus. by 270000-06311	
22		270000-06311	1	HOLDER ASSY, C.TANK			
23	+	900286-05035	4	SCREW 5*35	5*35 SUS	Sus. by 91148-05035	
23	+	91148-05035	4	BOLT HS FL TAPP	M5*35		
24	+	250910-06310	2	HOLDER, C. TANK			
25	+	250914-06210	2	PIN, TANK HOLDER			
26	+	250902-06310	2	BRACKET ASSY, C.TANK			
27	++	250915-06310	2	BOLT, TANK HOLDER			
28	++	250930-06210	2	CONNECTOR, BRACKET			
29	++	250932-06210	2	BRACKET, TANK			
30	++	900333-70380	2	PIN, STRAIGHT			

8. Mist Blower, Tool

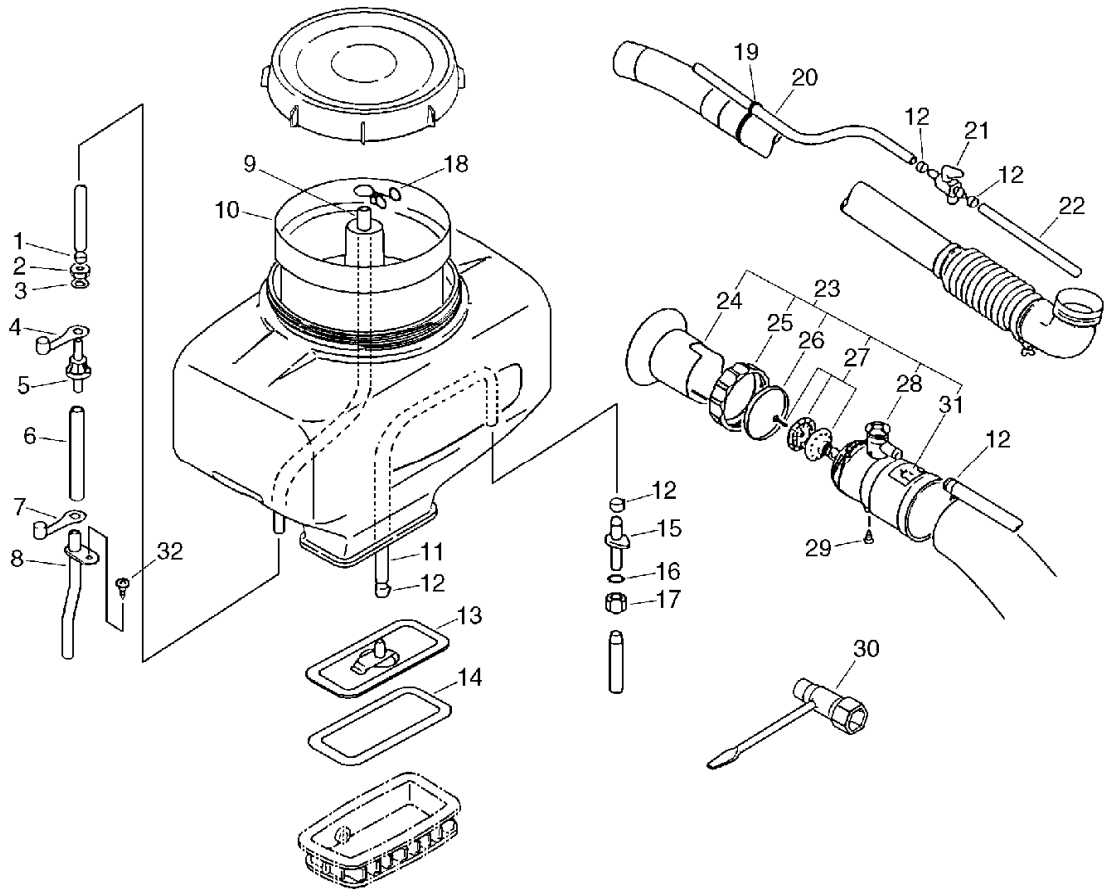
No.8



KEY	LV	PART NUMBER	Q'TY	DESCRIPTION	REMARKS	NOTE1	NOTE2
1		357013-00210	1	CLIP 11	11ミリ	Sus. by 132013-14010	
1		132013-14010	1	BAND	10.5MM		
2		363019-00310	1	NUT, CONNECTOR			
3		363018-00310	1	WASHER			
4		363022-00510	1	PLUG			
5		363017-00310	1	CONNECTOR, PIPE			
6		363024-04010	1	PIPE L-170	7*11*170L		
7		363021-01110	1	PLUG			
8		363015-03210	1	PIPE, INTAKE		Sus. by E105-000000	
8		E105-000000	1	PIPE,AIR			
9		363014-00310	1	PIPE (INNER)	7*11*400BL	13L	
9		363014-03210	1	PIPE (INNER)	7*11*500BL	23L(OPTION)	
10		254210-03210	1	FILTER			
11		382011-01110	1	PIPE (9*13)	9*13*350		
12		357023-01110	5	CLIP 13		Sus. by V495-000310	
12		V495-000310	5	BAND			
13		253010-08010	1	PLATE, TANK BOTTOM			
14		270119-06210	1	GASKET, SHUTTER			
15		357010-01110	1	NIPPLE, OUTLET			
16		357014-01110	1	O-RING	3*13		
17		357015-01110	1	NUT, HOLLOW			
18		363023-01110	1	CLIP			
19		357911-00110	1	CLIP, PIPE			

8. Mist Blower, Tool

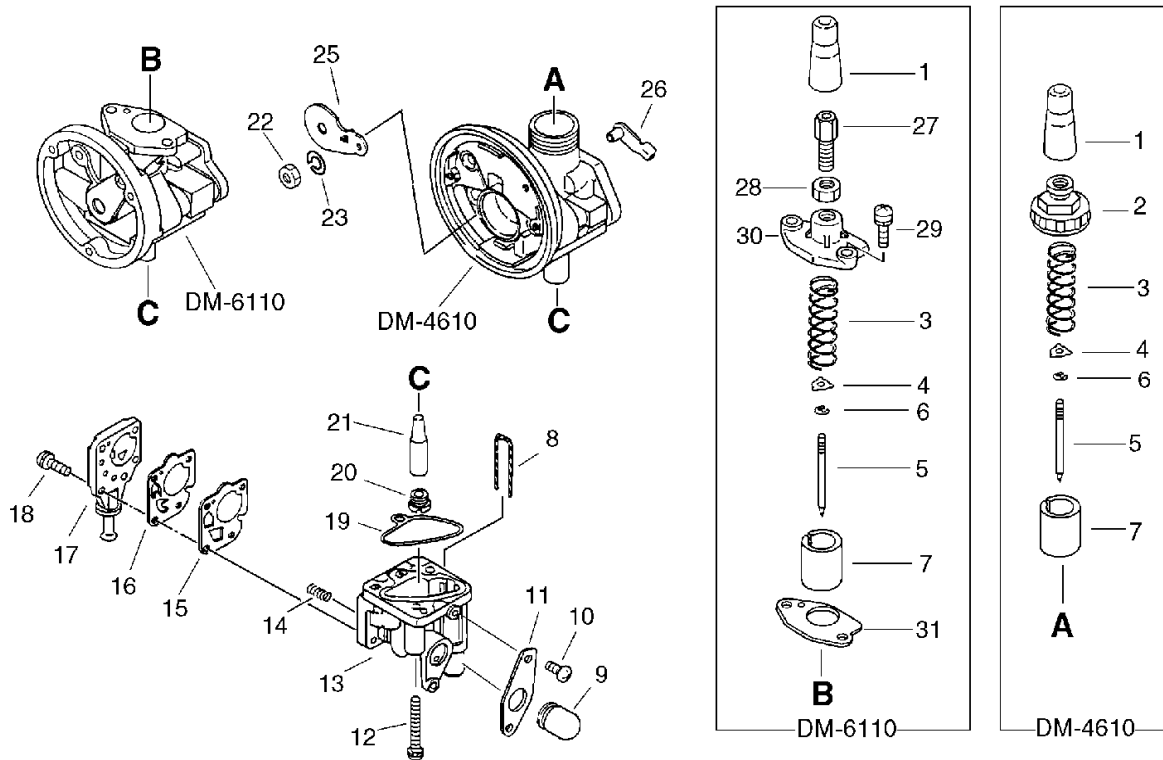
No.8



KEY	LV	PART NUMBER	Q'TY	DESCRIPTION	REMARKS	NOTE1	NOTE2
20		357011-02410	1	PIPE (L-650)	9*13*650L		
21		358100-01110	1	VALVE ASS'Y, PIPE			
22		357032-01110	1	PIPE (L-720)	9*13*720		
23		212500-01111	1	NOZZLE ASS'Y, MISTBL			
24	+	212515-01110	1	COLLAR, NOZZLE			
25	+	212514-01110	1	NUT, MISTING NOZZLE			
26	+	212513-01110	1	RING, MISTING NOZZLE			
27	+	222000-01110	1	NOZZLE			
28	+	212501-01111	1	HEAD, NOZZLE BL	BL		
29	++	900246-05012	1	SCREW 5*12	5*12		
31	+	890031-01110	1	LABEL, MIST			
30		895410-03930	1	WRENCH, W/S. DRIVER		Sus. by X602-000020	
30		X602-000020	1	TOOL, WRENCH	17*19 L200		
32		900286-05016	1	SCREW 5*16 SUS	5*16 SUS		

9. Carburetor

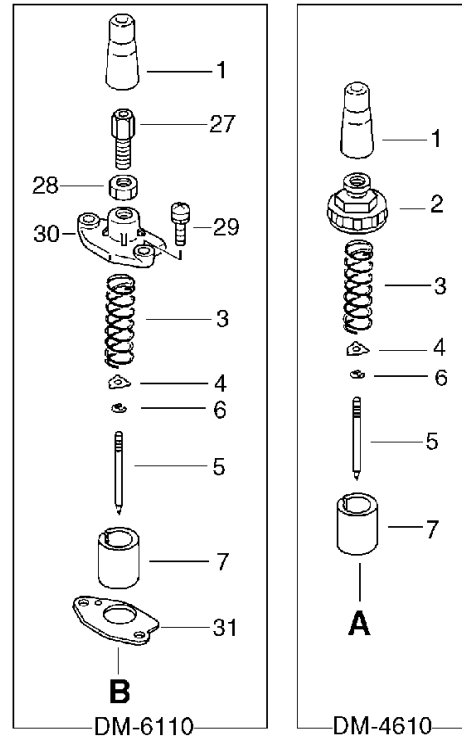
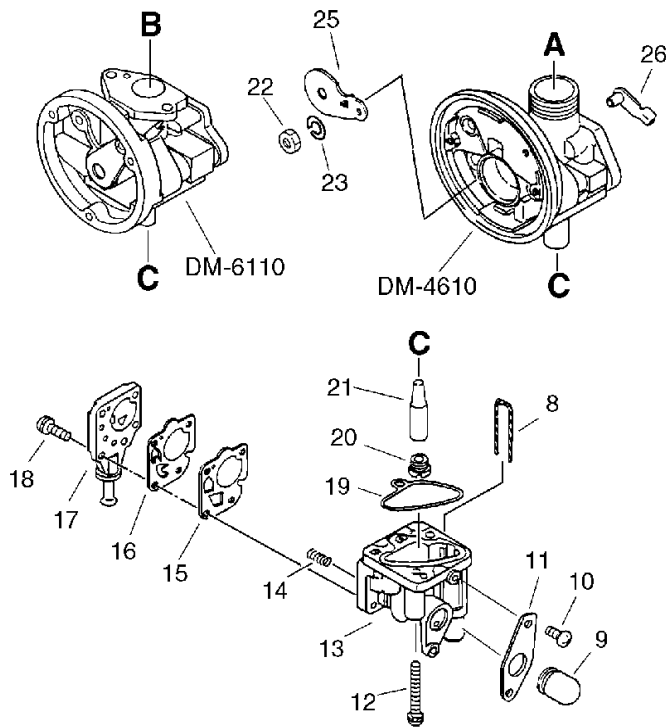
No.9



KEY	LV	PART NUMBER	Q'TY	DESCRIPTION	REMARKS	NOTE1	NOTE2
		124200-06410	1	CARBURETOR ASSY	K13PR-6E	DM-4610	
		124200-06210	1	CARBURETOR ASSY	K15PR-5C	DM-6110	
1	+	124174-11120	1	CAP			
2	+	124113-05910	1	COVER, TOP		DM-4610	
3	+	124114-11120	1	SPRING, THROTTLE		DM-4610	
3	+	124114-05510	1	SPRING, THROTTLE		DM-6110	
4	+	124115-11120	1	SEAT, SPRING		DM-4610	
4	+	124115-05510	1	SEAT, SPRING		DM-6110	
5	+	124117-05910	1	NEEDLE, JET		DM-4610	
5	+	124117-05610	1	NEEDLE, JET		DM-6110	
6	+	124116-05530	1	E-RING			
7	+	124118-05910	1	VALVE, THROTTLE		DM-4610	
7	+	124118-05510	1	VALVE, THROTTLE		DM-6110	
8	+	124182-05510	1	WIRE, DRAIN			
9	+	124381-05511	1	CAP			
10	+	900241-04008	2	SCREW 4*8	4*8		
11	+	124163-05510	1	PLATE			
12	+	900241-04030	2	SCREW 4*30 (W/SW)	4*30		
13	+	124124-05910	1	CHAMBER			
14	+	124367-21330	2	SPRING, COIL			
15	+	124363-21330	1	GASKET, PUMP DIAPH.			
16	+	124364-05510	1	DIAPHRAGM, FUEL PUMP			
17	+	124365-05510	1	COVER, PUMP			
18	+	900241-03010	4	SCREW 3*10 (W/SW)	3*10		
19	+	124123-05510	1	GASKET, CHAMBER			
20	+	124122-05910	1	JET, MAIN #64		DM-4610	

9. Carburetor

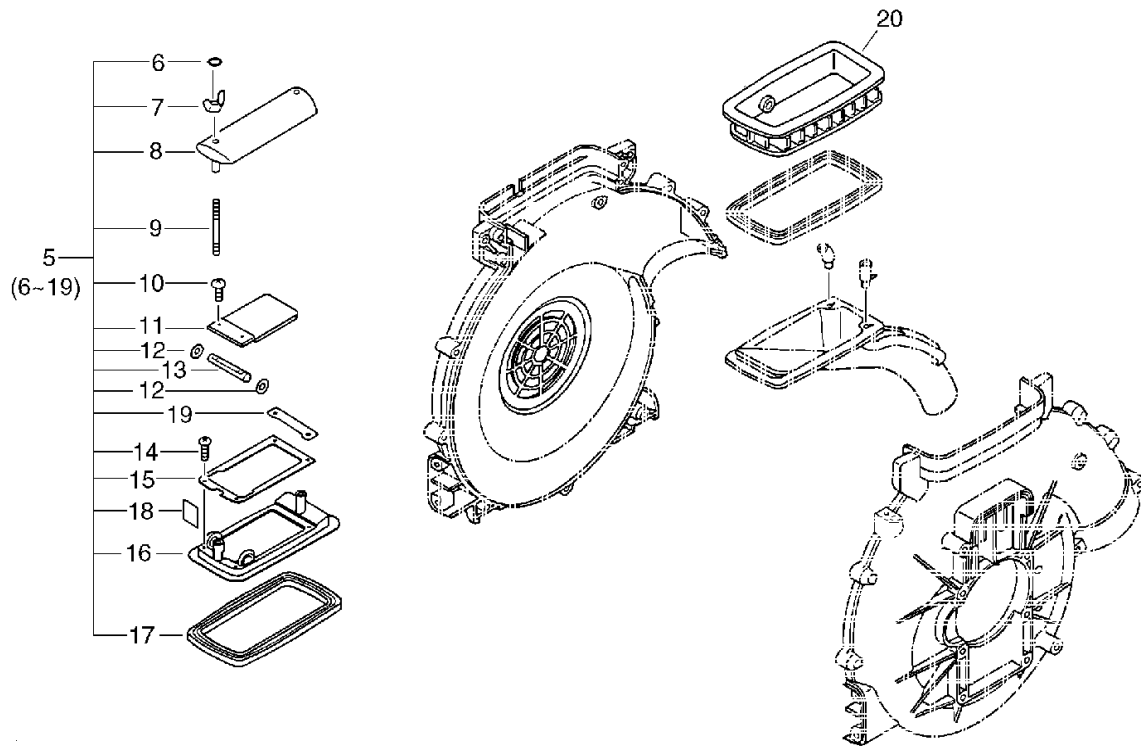
No.9



KEY	LV	PART NUMBER	Q'TY	DESCRIPTION	REMARKS	NOTE1	NOTE2
20	+	124122-05510	1	JET, MAIN		DM-6110	
21	+	124162-05510	1	JET, NEEDLE			
22	+	124111-05810	1	NUT			
23	+	900605-00006	1	WASHER, SPRING 6	6		
25	+	124143-05810	1	PLATE, CHOKE		DM-4610	
25	+	124143-06210	1	SHUTTER, CHOKE		DM-6110	
26	+	124142-05810	1	LEVER, CHOKE		DM-4610	
26	+	124142-06210	1	LEVER, CHOKE		DM-6110	
27	+	124158-05510	1	ADJUSTER		DM-6110	
28	+	124111-05510	1	NUT		DM-6110	
29	+	900241-04012	2	SCREW 4*12	4*12	DM-6110	
30	+	124113-05510	1	COVER, TOP		DM-6110	
31	+	124172-05511	1	GASKET, BODY TOP		DM-6110	

10. Dust Attachment(DMAD-4610)-1

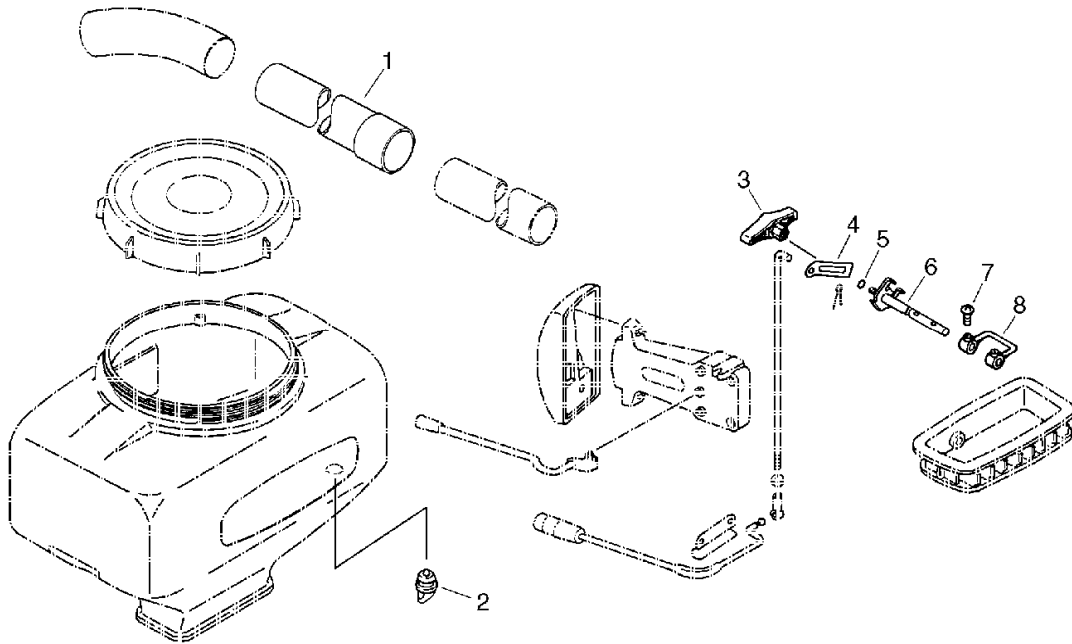
No.10



KEY	LV	PART NUMBER	Q'TY	DESCRIPTION	REMARKS	NOTE1	NOTE2
5		275100-06212	1	SHUTTER ASSY		OPTION	
6	+	900720-00004	1	O-RING (P-4)	P-4	OPTION	
7	+	900539-00005	1	NUT, WING 5	5	OPTION	
8	+	250110-06212	1	STABILIZER		OPTION	
9	+	270015-06211	1	BOLT, STUD	5*50	OPTION	
10	+	900226-04010	2	SCREW, 4*10	4*10 SUS	OPTION	
11	+	270145-06210	1	SHUTTER		OPTION	
12	+	275123-05510	2	SPACER 10*19.5*0.3	10*19.5*0.3	OPTION	
13	+	270153-06210	1	SHAFT, SHUTTER		OPTION	
14	+	900295-04014	4	SCREW 4*14	4*14 SUS	OPTION	
15	+	270110-06210	1	SHUTTER		OPTION	
16	+	270112-06211	1	SHUTTER, METERING		OPTION	
17	+	270119-06210	1	GASKET, SHUTTER		OPTION	
18	+	210035-06310	1	PACKING, DUST		OPTION	
19	+	270122-06211	1	PLATE, EYE		OPTION	
20		270010-06211	1	TANK, LOWER		OPTION	

11. Dust Attachment(DMAD-4610)-2

No.11



KEY	LV	PART NUMBER	Q'TY	DESCRIPTION	REMARKS	NOTE1	NOTE2
1		210015-01110	1	PIPE, STRAIGHT (GY)		OPTION	
2		250016-01110	1	PLUG		OPTION	
3		270207-04310	1	NUT (BS)		OPTION	
4		270212-06410	1	ARM, SHUTTER		OPTION	
5		900720-00007	1	O-RING 7	P-7	OPTION	
6		270205-06411	1	SHAFT, SHUTTER		OPTION	
7		900292-04014	2	SCREW 4*14	4*14 SUS	OPTION	
8		270216-06210	1	ARM		OPTION	

Index

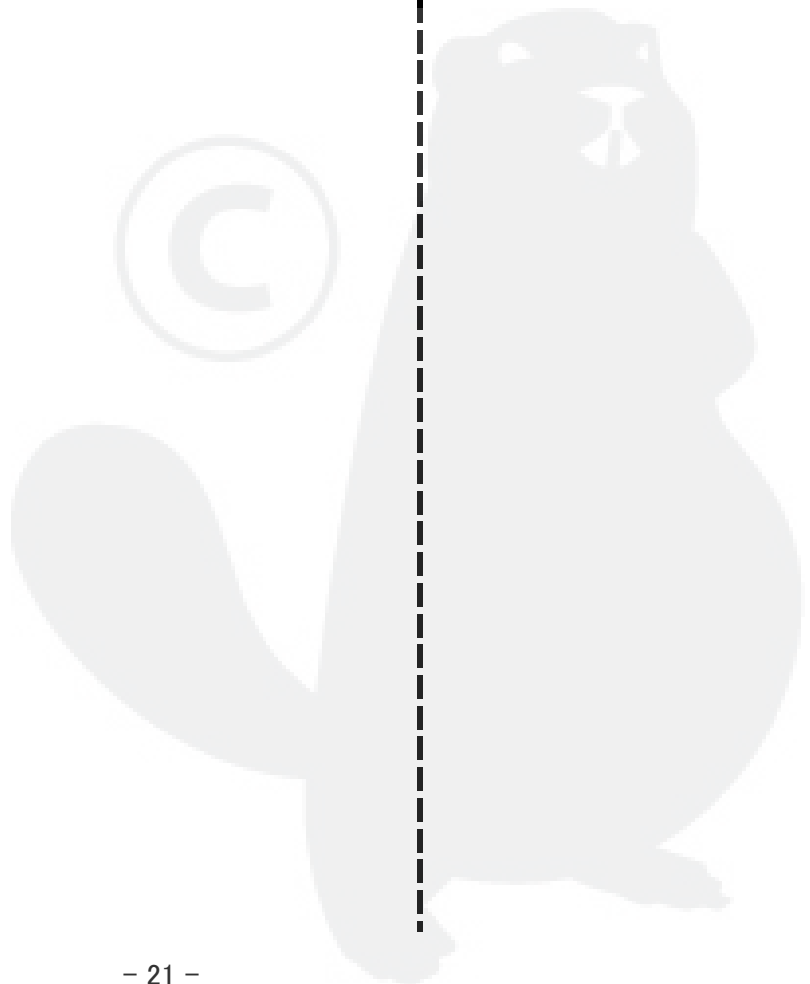
Patrs Number	Key No.	Patrs Number	Key No.	Patrs Number	Key No.
100000-03210	1 - 11	124200-06210	9 -	145642-00760	2 - 11
100000-06210	1 - 11	124200-06410	2 - 23	150112-00310	1 - 27
100011-10530	1 - 12	124200-06410	9 -	156601-06211	3 - 10
100011-32330	1 - 12	124363-21330	9 - 15	156611-04260	3 - 12
100012-12331	1 - 15	124364-05510	9 - 16	156800-06161	3 - 8
100013-00410	1 - 13	124365-05510	9 - 17	159010-10230	3 - 15
100013-06210	1 - 13	124367-21330	9 - 14	159012-10230	3 - 13
100015-00120	1 - 14	124381-05511	9 - 9	159016-05330	3 - 14
100100-06210	1 - 30	129011-05110	2 - 29	159129-08260	1 - 25
100204-08261	1 - 18	130010-06210	2 - 17	177200-06210	3 - 26
100213-00310	1 - 23	130010-06410	1 - 9	177202-06210	3 - 20
100215-03930	1 - 19	130016-05510	2 - 19	177214-40630	3 - 28
100242-10721	1 - 22	130016-06110	2 - 19	177215-11120	3 - 29
101010-06211	1 - 10	130016-06211	1 - 9	177218-40630	3 - 24
101010-10722	1 - 10	130016-06410	2 - 17	177220-11120	3 - 33
101011-06310	1 - 6	130017-06210	2 - 18	177226-11120	3 - 30
101011-08261	1 - 6	130017-06410	2 - 18	177227-42030	3 - 31
101514-06210	1 - 3	130307-03711	2 - 28	177228-11120	3 - 32
101514-06410	1 - 8	130310-02910	2 - 32	177234-40630	3 - 23
101576-06210	1 - 8	130311-03710	2 - 33	177236-40630	3 - 27
104016-06410	1 - 34	130313-03710	2 - 34	178001-05510	6 - 22
124111-05510	9 - 28	130314-05510	2 - 28	178001-05810	6 - 22
124111-05810	9 - 22	130317-03710	2 - 31	178005-06410	6 - 12
124113-05510	9 - 30	130319-03710	2 - 30	178005-06411	6 - 12
124113-05910	9 - 2	130320-05510	2 - 25	200005-06210	3 - 6
124114-05510	9 - 3	130320-05810	2 - 25	200105-07710	4 - 15
124114-11120	9 - 3	131003-05330	2 - 5	200105-07711	4 - 15
124115-05510	9 - 4	131005-06211	2 - 8	200107-07711	4 - 5
124115-11120	9 - 4	131005-06212	2 - 8	200910-06210	5 - 2
124116-05530	9 - 6	131005-06213	2 - 8	200916-03210	5 - 3
124117-05610	9 - 5	131016-21060	2 - 6	210011-05510	7 - 12
124117-05910	9 - 5	131205-19830	2 - 40	210013-04111	7 - 9
124118-05510	9 - 7	131600-21060	2 - 4	210014-01610	7 - 6
124118-05910	9 - 7	132001-05510	2 - 14	210015-01110	11 - 1
124122-05510	9 - 20	132010-06410	2 - 27	210023-00210	7 - 5
124122-05910	9 - 20	132010-06530	2 - 16	210032-04110	7 - 8
124123-05510	9 - 19	132010-35430	2 - 38	210035-06310	10 - 18
124124-05910	9 - 13	132013-05060	2 - 15	210036-04110	7 - 10
124142-05810	9 - 26	132013-14010	2 - 26	210407-01110	7 - 7
124142-06210	9 - 26	132013-14010	8 - 1	210407-04110	7 - 11
124143-05810	9 - 25	132013-26630	2 - 39	210425-04110	4 - 6
124143-06210	9 - 25	132115-12330	2 - 37	212500-01111	8 - 23
124158-05510	9 - 27	145510-06210	3 - 41	212501-01111	8 - 28
124162-05510	9 - 21	145510-06211	3 - 41	212513-01110	8 - 26
124163-05510	9 - 11	145512-06210	1 - 4	212514-01110	8 - 25
124172-05511	9 - 31	145512-06211	1 - 4	212515-01110	8 - 24
124174-11120	9 - 1	145610-06210	3 - 42	222000-01110	8 - 27
124182-05510	9 - 8	145610-06211	3 - 42	250001-05610	7 - 15
124200-06210	2 - 23	145610-06212	3 - 42	250011-02011	7 - 17

Index

Patrs Number	Key No.	Patrs Number	Key No.	Patrs Number	Key No.
250013-00310	7 - 16	358100-01110	8 - 21	900241-04008	9 - 10
250016-01110	11 - 2	363014-00310	8 - 9	900241-04012	9 - 29
250017-08010	7 - 18	363014-03210	8 - 9	900241-04030	9 - 12
250110-06212	10 - 8	363015-03210	8 - 8	900242-04014	2 - 13
250902-06310	7 - 26	363017-00310	8 - 5	900242-04014	2 - 13
250910-06310	7 - 24	363018-00310	8 - 3	900242-05010	1 - 7
250914-06210	7 - 25	363019-00310	8 - 2	900242-05014	3 - 44
250915-06310	7 - 27	363021-01110	8 - 7	900242-05014	7 - 13
250916-06210	5 - 4	363022-00510	8 - 4	900242-05018	1 - 26
250930-06210	7 - 28	363023-01110	8 - 18	900242-05018	3 - 9
250932-06210	7 - 29	363024-04010	8 - 6	900242-05040	1 - 20
253010-08010	8 - 13	370301-06211	4 - 13	900242-05055	2 - 24
254210-03210	8 - 10	370316-06210	4 - 12	900242-06065	2 - 24
270000-06310	7 - 22	370321-06210	4 - 11	900246-05012	8 - 29
270000-06311	7 - 22	382011-01110	8 - 11	900286-05016	8 - 32
270010-06211	10 - 20	605612-06510	6 - 21	900286-05025	4 - 4
270010-06211	4 - 9	701007-06610	6 - 15	900286-05025	6 - 13
270015-06211	10 - 9	701010-06610	6 - 17	900286-05035	7 - 23
270018-06210	4 - 10	701014-06510	6 - 20	900292-04014	11 - 7
270110-06210	10 - 15	701020-05510	6 - 18	900292-04018	3 - 35
270112-06211	10 - 16	701021-02910	6 - 11	900292-05014	6 - 14
270119-06210	10 - 17	701028-06210	6 - 24	900292-05020	1 - 35
270119-06210	8 - 14	701033-06211	4 - 16	900292-05025	1 - 28
270122-06211	10 - 19	701111-06210	6 - 8	900292-05025	6 - 7
270145-06210	10 - 11	701111-06211	6 - 8	900295-04014	10 - 14
270153-06210	10 - 13	701111-06212	6 - 8	900323-03014	1 - 33
270205-06411	11 - 6	701112-06410	6 - 10	900333-70380	7 - 30
270207-04310	11 - 3	890031-01110	8 - 31	900500-00005	6 - 19
270212-06410	11 - 4	890118-04261	7 - 19	900500-00005	7 - 14
270216-06210	11 - 8	890118-49330	3 - 36	900501-00010	3 - 3
275100-06212	10 - 5	890121-21430	2 - 21	900502-00006	6 - 16
275123-05510	10 - 12	890138-01110	7 - 19	900503-00006	6 - 25
300010-07310	5 - 1	890151-08010	7 - 21	900504-00005	4 - 14
300010-07311	5 - 1	890151-08110	7 - 21	900504-00005	6 - 9
300029-06210	3 - 37	890157-39130	6 - 6	900539-00005	10 - 7
300111-14010	5 - 5	890160-06360	1 - 36	900560-00005	5 - 11
300302-07410	5 - 7	890160-06361	1 - 36	900600-00008	6 - 23
300328-03210	5 - 10	890160-09460	7 - 20	900602-00010	3 - 5
300333-06160	5 - 6	890160-09461	7 - 20	900604-00005	4 - 8
305117-03360	3 - 38	890187-03710	2 - 35	900605-00006	2 - 10
357010-01110	8 - 15	890348-05060	6 - 5	900605-00006	9 - 23
357011-02410	8 - 20	895410-03930	8 - 30	900605-00010	3 - 4
357013-00210	2 - 26	900105-06020	3 - 43	900609-00005	4 - 7
357013-00210	8 - 1	900148-05035	3 - 7	900700-00004	3 - 21
357014-01110	8 - 16	900162-05020	1 - 5	900703-00008	4 - 17
357015-01110	8 - 17	900216-05016	5 - 9	900720-00004	10 - 6
357023-01110	8 - 12	900220-06014	2 - 9	900720-00007	11 - 5
357032-01110	8 - 22	900226-04010	10 - 10	900810-36202	1 - 24
357911-00110	8 - 19	900241-03010	9 - 18	91148-05035	7 - 23

Index

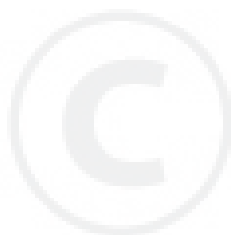
Patrs Number	Key No.	Patrs Number	Key No.	Patrs Number	Key No.
E105-000000	8 - 8				
E110-000030	7 - 18				
E110-000031	7 - 18				
E110-000032	7 - 18				
V495-000310	8 - 12				
X602-000020	8 - 30				



YAMABIKO CORPORATION

7-2 SUEHIROCHO 1-CHOME, OHME, TOKYO 198-8760, JAPAN
PHONE: 81-428-32-6118. FAX: 81-428-32-6145.

ECHO®



6110
No.