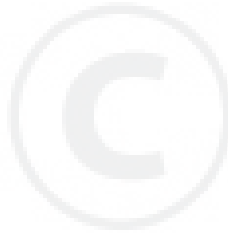




PARTS CATALOG

DUSTER / MIST BLOWER

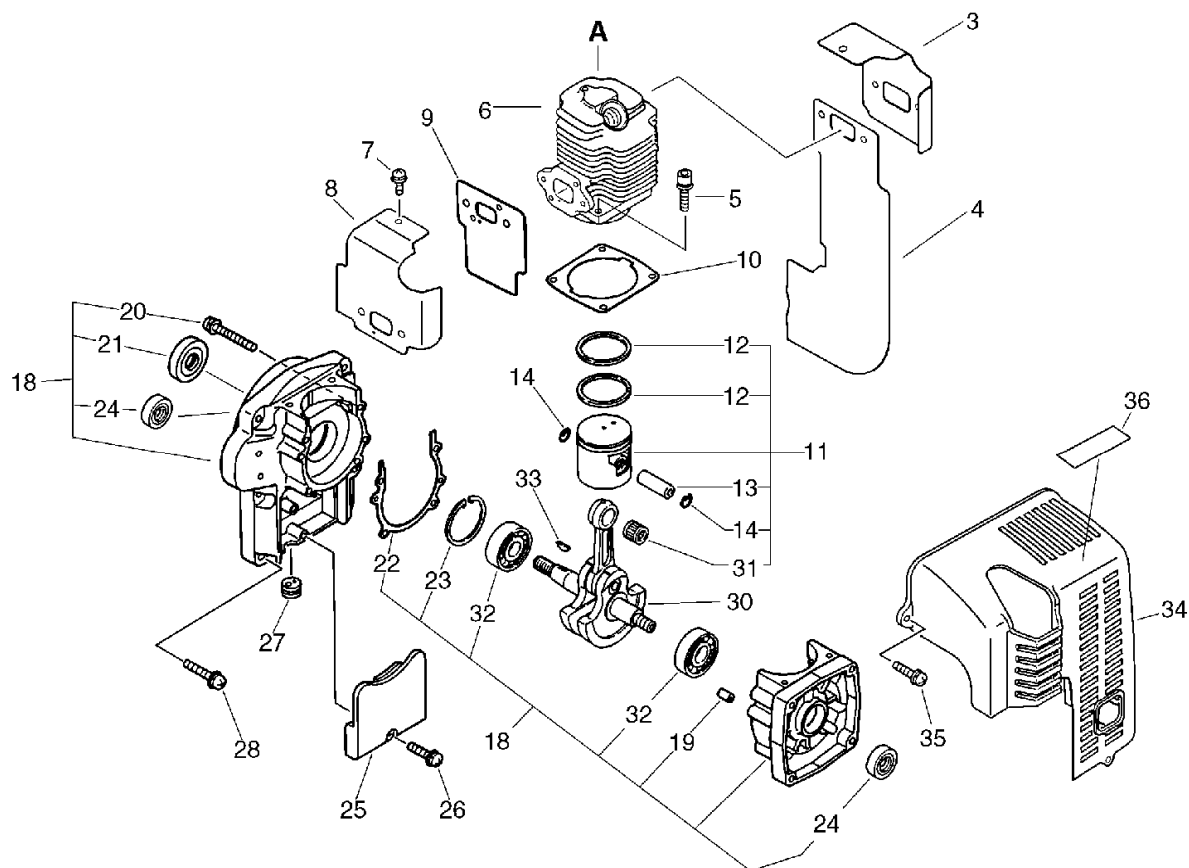
DM-4600



DM-4600

1. Cylinder, Crankcase, Piston

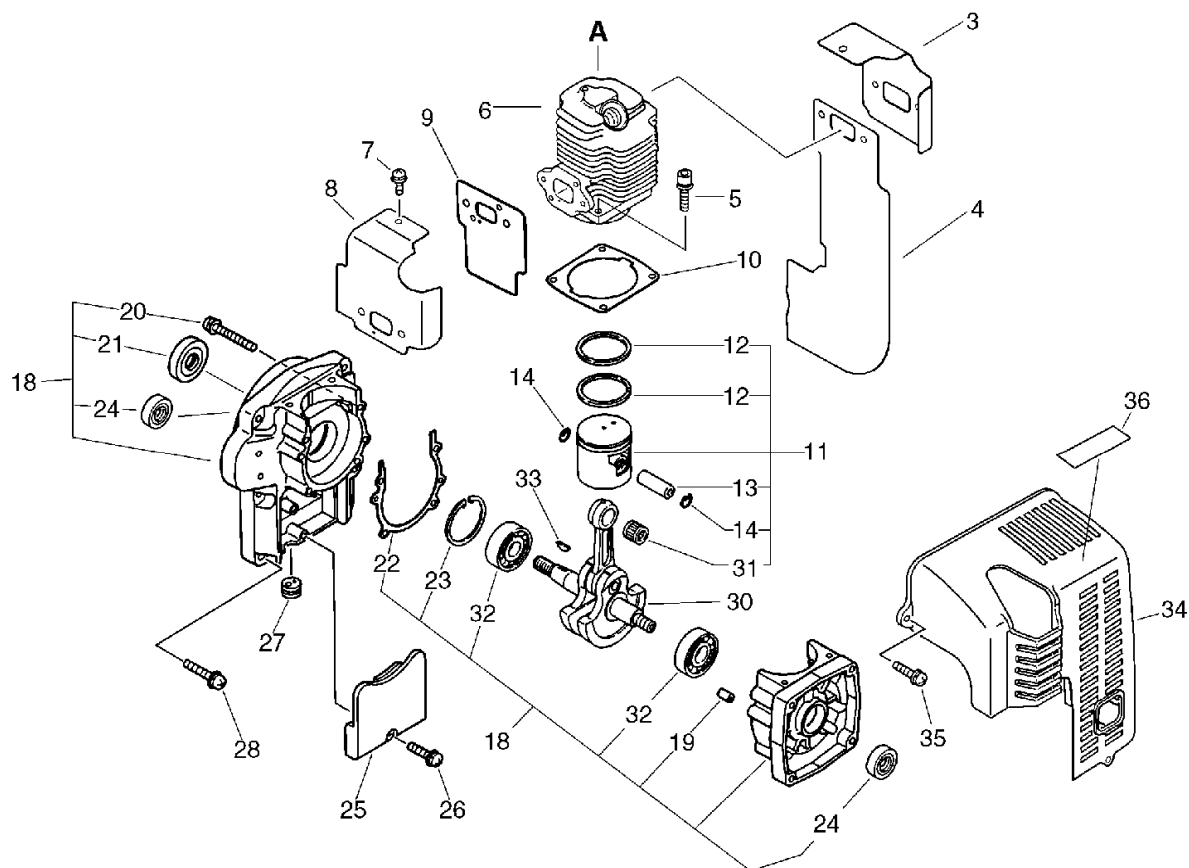
No.1



KEY	LV	PART NUMBER	Q'TY	DESCRIPTION	REMARKS	NOTE1	NOTE2
3		101514-06210	1	COVER, CYLINDER			
4		145512-06210	1	GASKET, MUFFLER		Sus. by 145512-06211	
4		145512-06211	1	GASKET, MUFFLER			
5		900162-05020	4	BOLT, H.S. 5*20	5*20 W,SW		
6		101011-08260	1	CYLINDER		Sus. by 101011-08261	
6		101011-08261	1	CYLINDER			
7		900242-05010	1	SCREW 5*10	5*10		
8		101514-06410	1	COVER, CYLINDER			
9		130010-06410	1	GASKET, INTAKE			
10		101010-10721	1	GASKET, CYL. BASE		Sus. by 101010-10722	
10		101010-10722	1	GASKET, CYL. BASE			
11		100000-03210	1	PISTON KIT			
12	+	100011-10530	2	RING, PISTON			
13	+	100013-00410	1	PIN, PISTON	6*10*29.8		
14	+	100015-00120	2	CIRCLIP, PISTON PIN			
31	+	100012-12330	1	BEARING, NEEDLE		Sus. by 100012-12331	
31	+	100012-12331	1	BEARING, NEEDLE			
18		100204-08260	1	CRANKCASE KIT		Sus. by 100204-08261	
18		100204-08261	1	CRANKCASE KIT			
19	+	100215-03930	2	PIN, DOWEL			
20	+	900242-05040	4	SCREW 5*40	5*40		

1. Cylinder, Crankcase, Piston

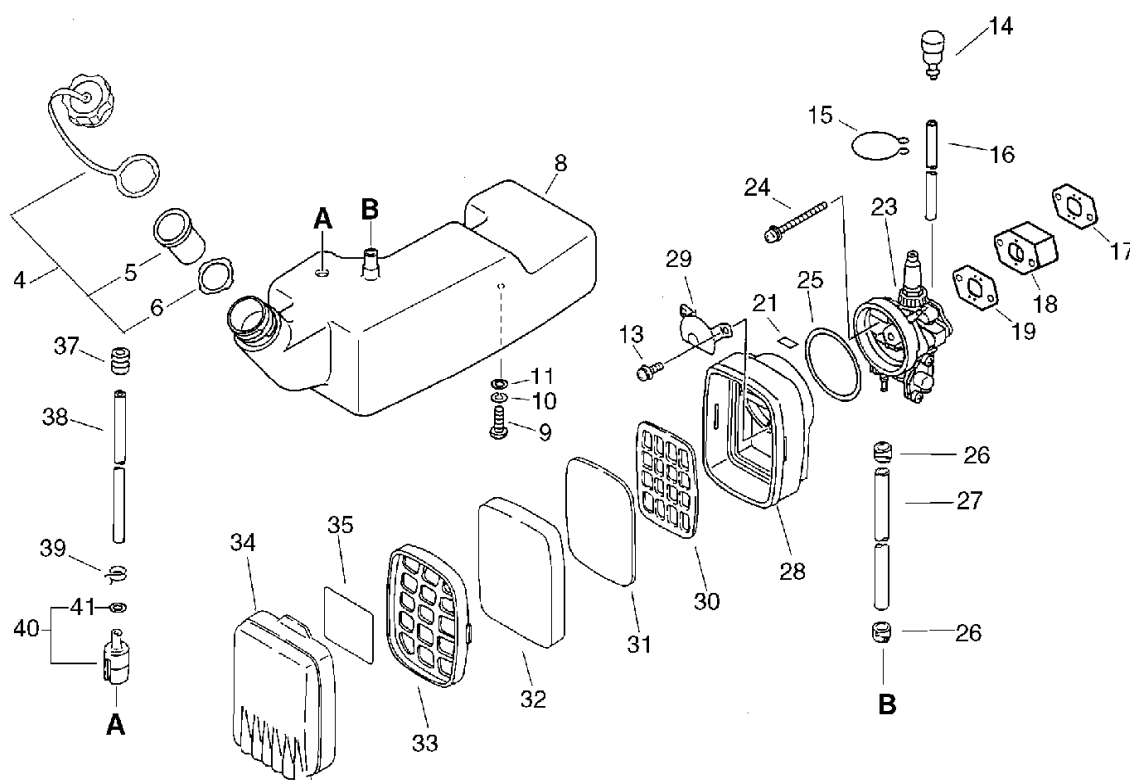
No.1



KEY	LV	PART NUMBER	Q'TY	DESCRIPTION	REMARKS	NOTE1	NOTE2
21	+	100213-02830	1	OILSEAL	ISMX15,35,6	Sr/Nr 006732 and before	
22	+	100242-10720	1	GASKET, CRANKCASE		Sus. by 100242-10721	
22	+	100242-10721	1	GASKET, CRANKCASE			
23	+	900702-00035	1	CIRCLIP 35	CR-35	Sr/Nr 006732 and before	
24	+	100213-00310	1	OILSEAL	ISCD 15 25 7	Sr/Nr 006732 and before	
24	+	100213-00310	2	OILSEAL	ISCD 15 25 7	Sr/Nr 006733 and after	
32	+	900810-36202	2	BEARING, BALL 6202	6202/C3		
25		159129-08260	1	COVER, DUST			
26		900242-05018	1	SCREW 5*18	5*18		
27		150112-00310	1	BUSHING			
28		900292-05025	6	SCREW 5*25	5*25 SUS		
30		100100-06210	1	CRANKSHAFT ASSY			
33		900323-03014	1	KEY WOODRUFF	3*14		
34		104016-06410	1	COVER, ENGINE			
35		900292-05020	3	SCREW 5*20	5*20 SUS		
36		890160-06360	1	LABEL, CAUTION		Sus. by 890160-06361	
36		890160-06361	1	LABEL, CAUTION			

2. Air Cleaner, Fuel Tank

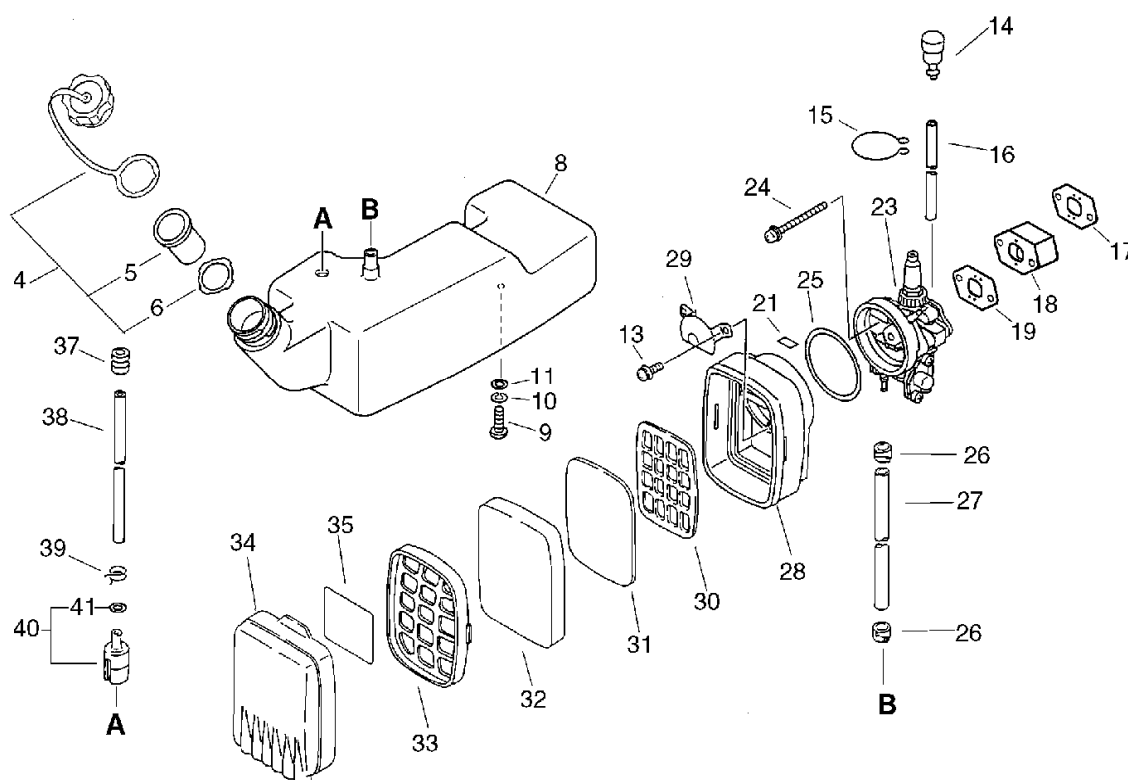
No.2



KEY	LV	PART NUMBER	Q'TY	DESCRIPTION	REMARKS	NOTE1	NOTE2
4		131600-07130	1	CAP ASSY, FUEL TANK		Sus. by 131600-21060	
4		131600-21060	1	CAP ASSY, FUEL TANK			
5	+	131003-05330	1	CUP SET, VENT			
6	+	131016-21230	1	GASKET, FUEL CAP		Sr/Nr 007116 and before	
6	+	131016-21060	1	GASKET, FUEL CAP		Sr/Nr 007117 and after	
8		131005-06210	1	TANK, FUEL		Sus. by 131005-06213	
8		131005-06211	1	TANK, FUEL		Sus. by 131005-06213	
8		131005-06212	1	TANK, FUEL		Sus. by 131005-06213	
8		131005-06213	1	TANK, FUEL			
9		900220-06014	2	SCREW +-SR 6*14	6*14		
10		900605-00006	2	WASHER, SPRING 6	6		
11		145642-00760	2	WASHER 6.5*18*1.6	6.5*18*1.6		
13		900242-04014	2	SCREW 4*14	4*14		
14		132001-05510	1	VALVE, CHECK			
15		132013-05060	1	CLIP, PIPE			
16		132010-06530	1	PIPE 3*6* 85	3*6* 85		
17		130016-06410	1	GASKET, INTAKE			
18		130017-06410	1	INSULATOR			
19		130016-06110	1	GASKET, INTAKE			
21		890121-21430	1	LABEL, CHOKE			

2. Air Cleaner, Fuel Tank

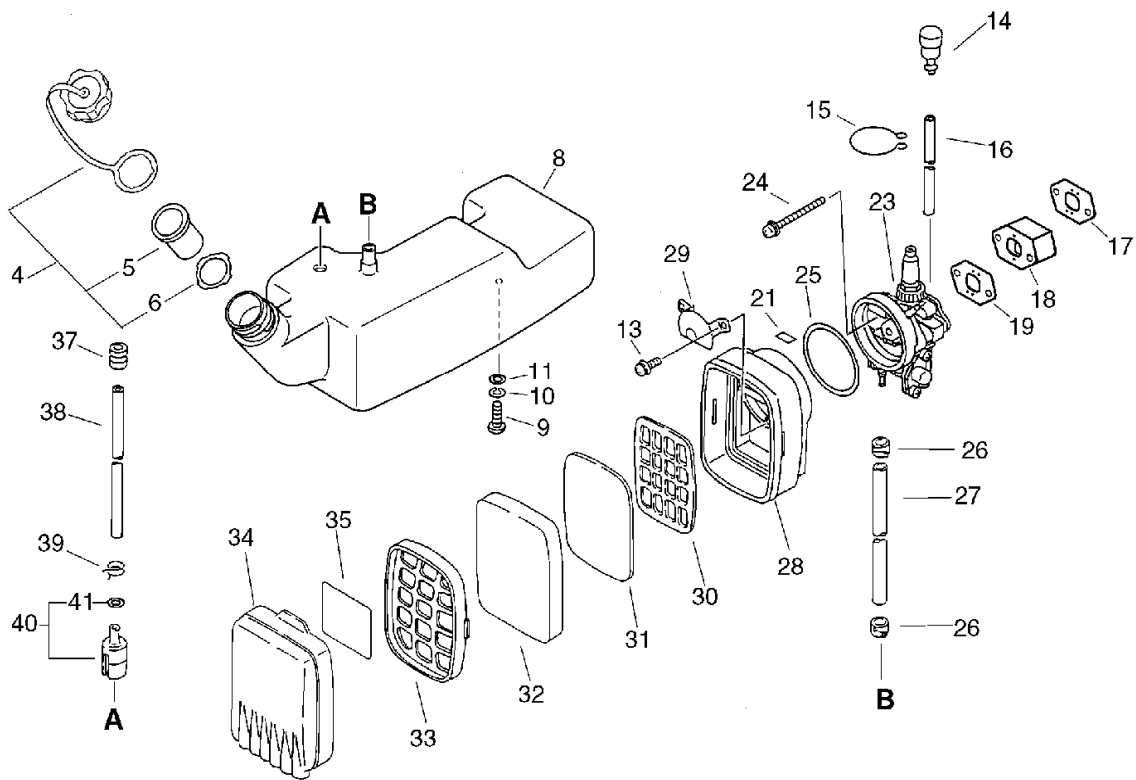
No.2



KEY	LV	PART NUMBER	Q'TY	DESCRIPTION	REMARKS	NOTE1	NOTE2
23		124200-06410	1	CARBURETOR ASSY	K13PR-6E		
24		900242-05055	2	SCREW 5*55 (W/W.SW)	5*55		
25		130320-05810	1	SEAL, CLEANER			
26		357013-00210	2	CLIP 11	11≧J	Sus. by 132013-14010	
26		132013-14010	2	BAND	10.5MM		
27		132010-06210	1	PIPE 7*11*70	7*11*70	Sus. by 132010-06410	
27		132010-06410	1	PIPE	5/16*7/16*75YL		
28		130307-03711	1	CASE, AIR CLEANER			
29		129011-05110	1	PLATE			
30		130319-03710	1	GRID, AIR CLEANER			
31		130317-03710	1	FILTER, AIR			
32		130310-02910	1	FILTER, AIR			
33		130311-03710	1	GRID, AIR CLEANER			
34		130313-03710	1	COVER, AIR CLEANER			
35		890187-03710	1	LABEL, CLEANER			
37		132115-12330	1	GROMMET			
38		132010-35430	1	PIPE 3*6*230	3*6*230		
39		132013-26630	1	CLIP	6.5MM		
40		131205-30830	1	STRAINER, FUEL		Sus. by set of 131205-05630 and 900603-00005	

2. Air Cleaner, Fuel Tank

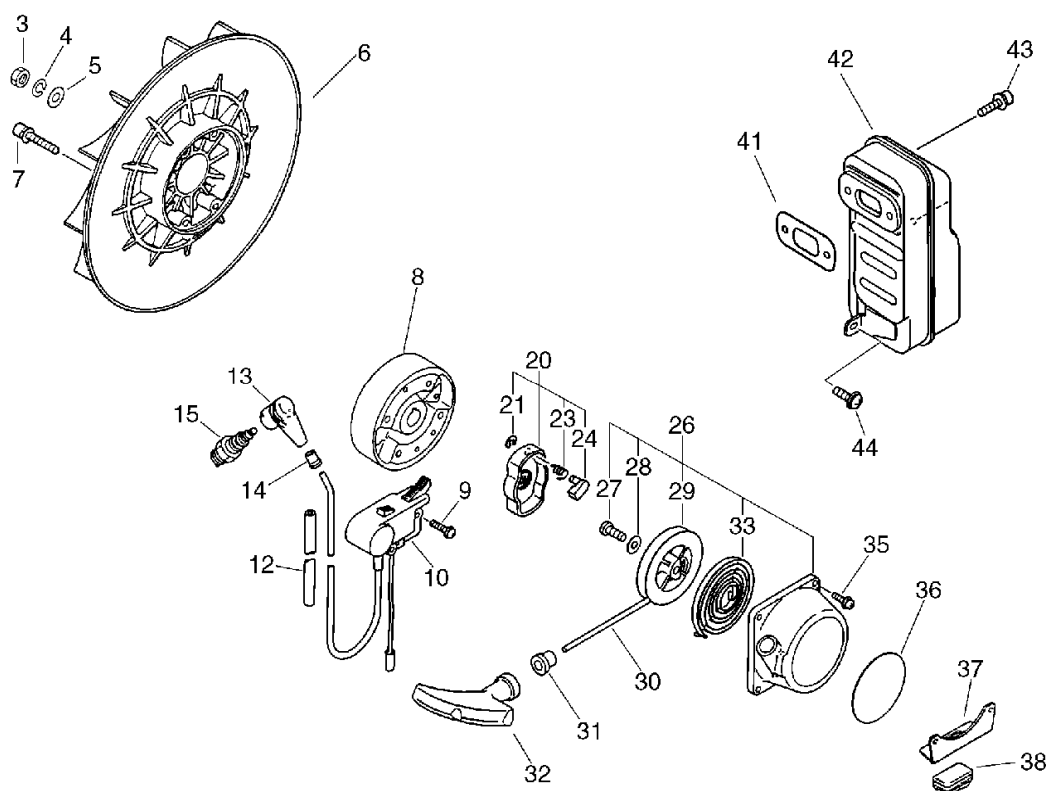
No.2



KEY	LV	PART NUMBER	Q'TY	DESCRIPTION	REMARKS	NOTE1	NOTE2
40		131205-19830	1	STRAINER, FUEL			
40		131205-05630	1	STRAINER, FUEL			Sus. by set of 131205-05630 and 900603-00005
41	+	900603-00005	1	WASHER 5	5.5*12*0.8		

3. Starter, Magneto, Muffler

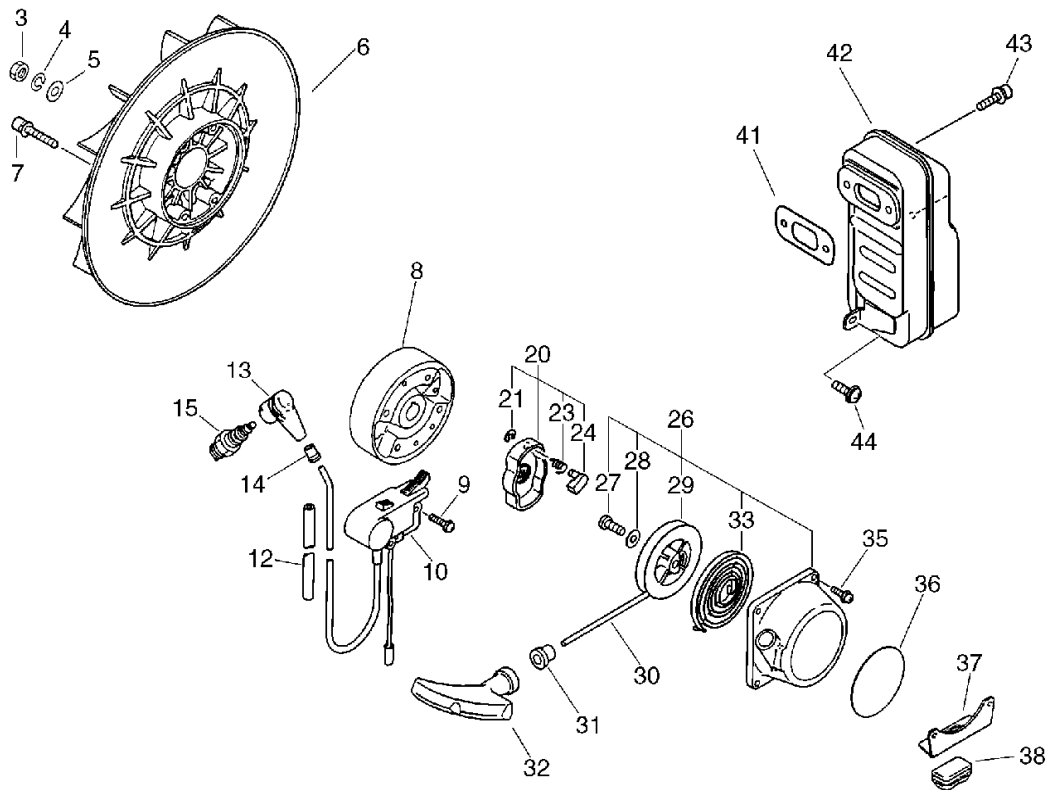
No.3



KEY	LV	PART NUMBER	Q'TY	DESCRIPTION	REMARKS	NOTE1	NOTE2
3		900501-00010	1	NUT 10*1.25	10*P1.25		
4		900605-00010	1	WASHER, SPRING 10	10		
5		900602-00010	1	WASHER 10(10.5*21*2)	10.5*21*2		
6		200005-06210	1	FAN			
7		900148-05035	4	BOLT 5*35	5*35		
8		156800-06161	1	ROTOR, MAGNETO			
9		900242-05018	2	SCREW 5*18	5*18		
10		156601-06211	1	C.D. IGNITION MODULE			
12		156611-04260	1	TUBE	6*8*340		
13		159012-10230	1	CAP, SPARK PLUG			
14		159016-05330	1	ADAPTER, PLUG CAP			
15		159010-10230	1	PLUG, SPARK (BPMR-7A)	BPMR-7A		
20		177202-06210	1	PAWL ASSY, STARTER			
21	+	900700-00004	1	E-RING 4	CE-4		
23	+	177234-40630	1	SPRING, RETURN			
24	+	177218-40630	1	PAWL, STARTER	WHITE		
26		177200-06210	1	STARTER ASSY			
27	+	177236-40630	1	SCREW			
28	+	177214-40630	1	WASHER			
29	+	177215-11120	1	DRUM, STARTER			
30	+	177226-11120	1	ROPE, STARTER	3.8*1400		
31	+	177227-42030	1	GUIDE, ROPE			
32	+	177228-11120	1	GRIP, STARTER			
33	+	177220-11120	1	REWIND SPRING			
35		900292-04018	4	SCREW 4*18	4*18 SUS		
36		890118-49330	1	LABEL, ECHO			

3. Starter, Magneto, Muffler

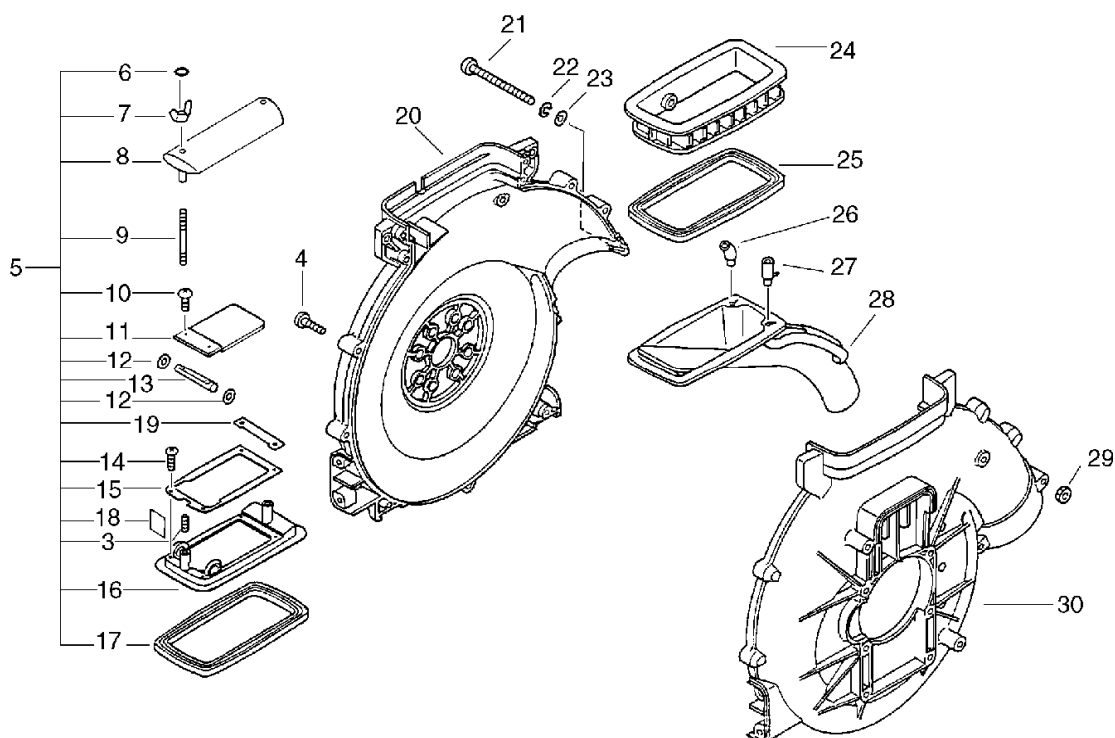
No.3



KEY	LV	PART NUMBER	Q'TY	DESCRIPTION	REMARKS	NOTE1	NOTE2
37		300029-06210	1	PLATE, ANGLE			
38		305117-03360	1	CUSHION			
41		145510-06210	1	GASKET, MUFFLER		Sus. by 145510-06211	
41		145510-06211	1	GASKET, MUFFLER			
42		145610-06210	1	MUFFLER		Sus. by 145610-06212	
42		145610-06211	1	MUFFLER		Sus. by 145610-06212	
42		145610-06212	1	MUFFLER			
43		900105-06020	2	BOLT, H.S. 6*20	6*20		
44		900242-05014	1	SCREW 5*14	5*14		

4. Fan Case, Lower Tank

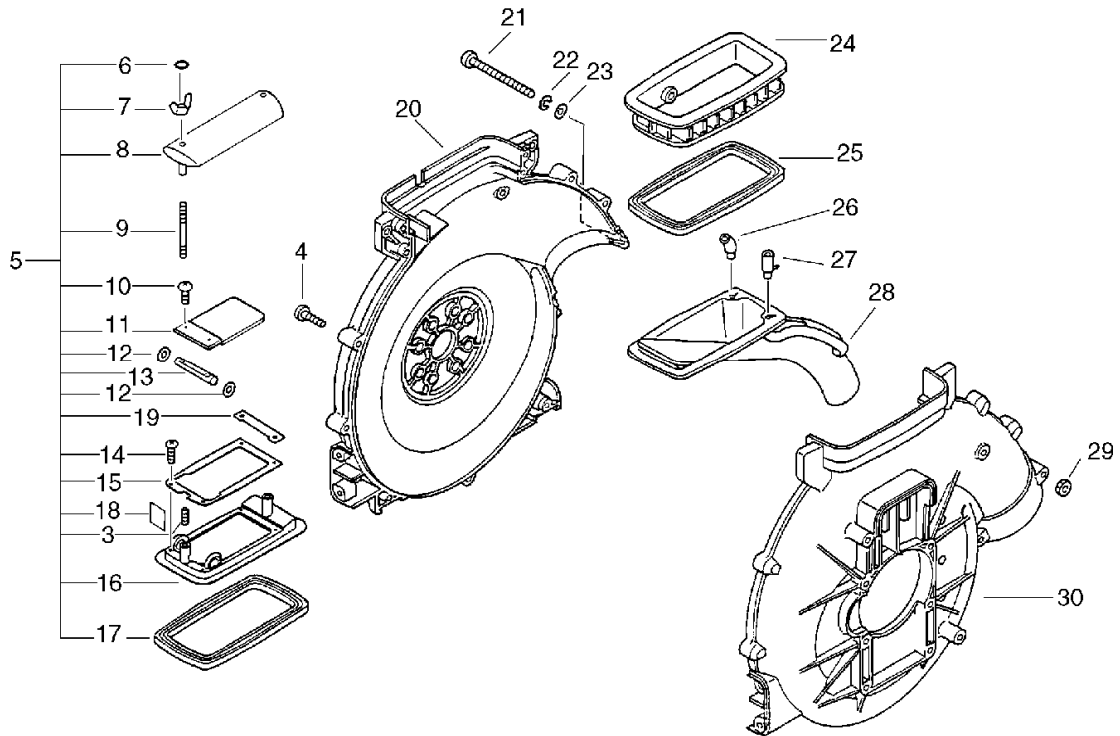
No.4



KEY	LV	PART NUMBER	Q'TY	DESCRIPTION	REMARKS	NOTE1	NOTE2
4		900286-05025	11	SCREW 5*25 SUS	5*25 SUS		
5		275100-06211	1	SHUTTER ASSY		Sus. by 275100-06212	
5		275100-06212	1	SHUTTER ASSY			
3	+	900174-05018	1	SCREW, SET 5*18	8*14 SUS	Sr/Nr 005434 and before	
6	+	900720-00004	1	O-RING (P-4)	P-4		
7	+	900539-00005	1	NUT, WING 5	5		
8	+	250110-06211	1	PLATE,STABILIZER		Sr/Nr 005434 and before	
8	+	250110-06212	1	STABILIZER		Sr/Nr 005435 and after	
9	+	270015-06210	1	STUD	5*60	Sr/Nr 005434 and before	
9	+	270015-06211	1	BOLT, STUD	5*50	Sr/Nr 005435 and after	
10	+	900226-04010	2	SCREW, 4*10	4*10 SUS		
11	+	270145-06210	1	SHUTTER			
12	+	275123-05510	2	SPACER 10*19.5*0.3	10*19.5*0.3		
13	+	270153-06210	1	SHAFT, SHUTTER			
14	+	900295-04014	4	SCREW 4*14	4*14 SUS		
15	+	270110-06210	1	SHUTTER			
16	+	270112-06210	1	SHUTTER, METERING		Sus. by 270112-06211	
16	+	270112-06211	1	SHUTTER, METERING			
17	+	270119-06210	1	GASKET, SHUTTER			

4. Fan Case, Lower Tank

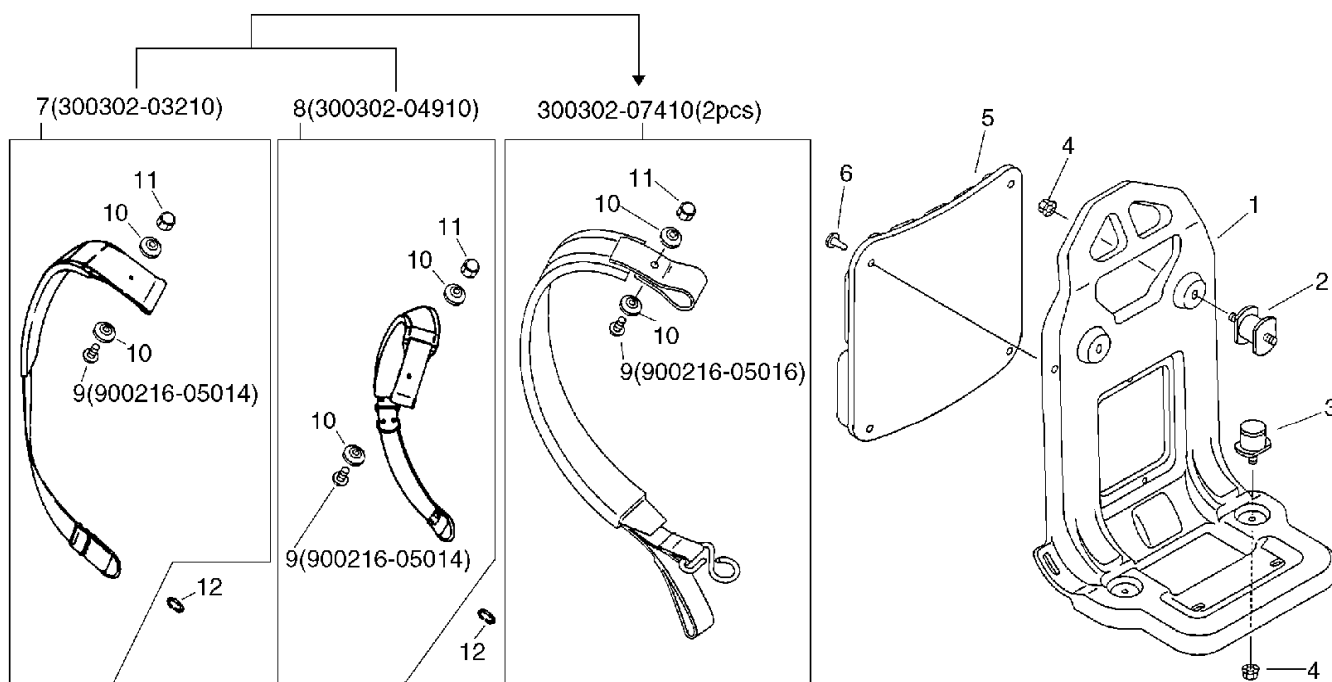
No.4



KEY	LV	PART NUMBER	Q'TY	DESCRIPTION	REMARKS	NOTE1	NOTE2
18	+	210035-06310	1	PACKING, DUST			
19	+	270122-06211	1	PLATE, EYE			
20		200107-06410	1	CASE, FAN		Sr/Nr 006348 and before	
20		200107-06510	1	CASE, FAN	BS	Sr/Nr 006349 and after	
21		210425-04110	2	BOLT			
22		900609-00005	2	WASHER, SPRING 5 SUS	5 SUS		
23		900604-00005	2	WASHER 5 SUS	5 SUS		
24		270010-06210	1	TANK, LOWER		Sus. by 270010-06211	
24		270010-06211	1	TANK, LOWER			
25		270018-06210	1	PACKING			
26		370321-06210	1	PLATE			
27		370316-06210	1	GUIDE, AIR			
28		370301-06210	1	PIPE, DUST OUTLET		Sus. by 370301-06211	
28		370301-06211	1	PIPE, DUST OUTLET			
29		900504-00005	2	NUT 5B	5B		
30		200105-06410	1	CASE, FAN		Sr/Nr 006348 and before	
30		200105-06510	1	CASE, FAN		Sr/Nr 006349 and after	

5. Harness

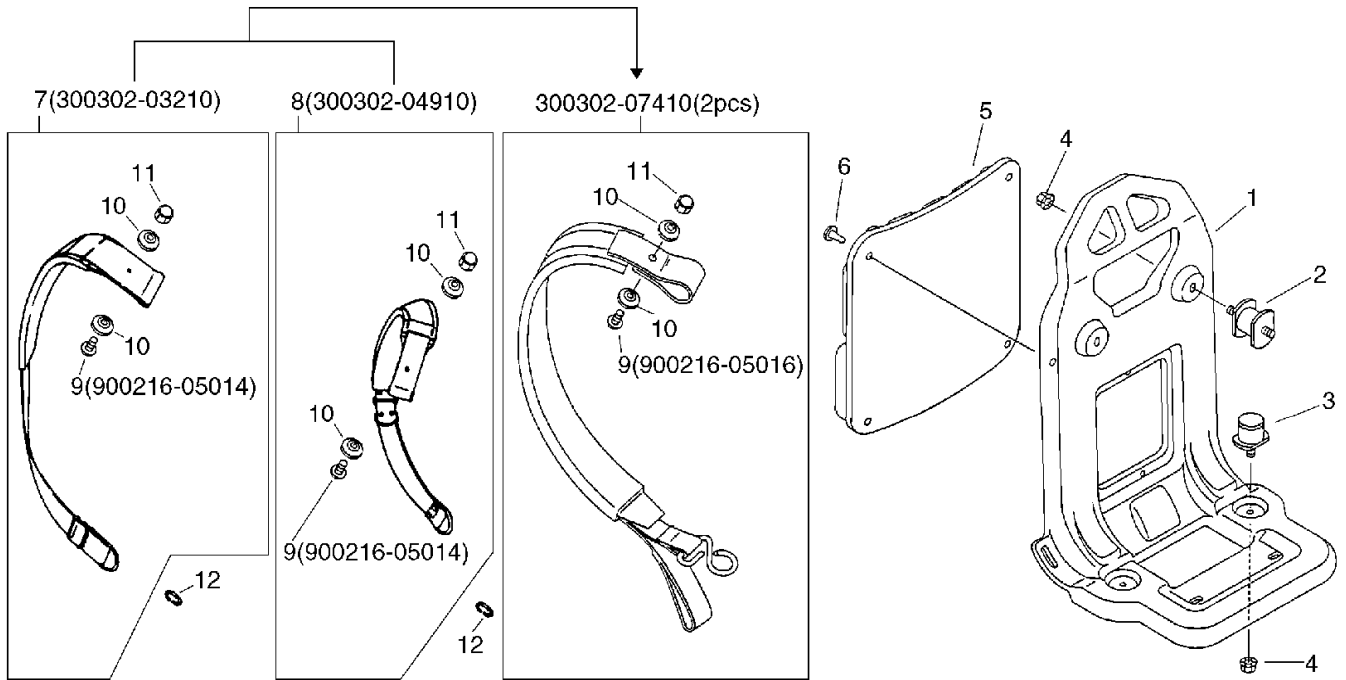
No.5



KEY	LV	PART NUMBER	Q'TY	DESCRIPTION	REMARKS	NOTE1	NOTE2
1		300010-06410	1	FRAME, KNAPSACK		Sr/Nr 006048 and before	
1		300010-07310	1	FRAME, BACKPACK		Sus. by 300010-07311	
1		300010-07311	1	FRAME, BACKPACK		Sr/Nr 006049 and after	
2		200910-06210	2	CUSHION			
3		200916-03210	2	CUSHION			
4		250916-06210	4	NUT			
5		300111-06410	1	CUSHION, KNAPSACK		Sr/Nr 006048 and before	
5		300111-14010	1	CUSHION, KNAPSACK		Sr/Nr 006049 and after	
6		300333-06410	4	CLIP		Sr/Nr 006048 and before	
6		300333-06160	4	CLIP		Sr/Nr 006049 and after	
7		300302-03210	1	HARNEES W/PAD		Sus. by 300302-07410	
7		300302-07410	1	HARNESS, W/PAD			
9	+	900216-05014	1	SCREW 5*14	5*14	Sr/Nr 006048 and before	
9	+	900216-05016	1	SCREW, 5*16	5*16	Sr/Nr 006049 and after	
10	+	300328-03210	2	WASHER, HARNESS			
11	+	900560-00005	1	NUT, LOCK 5	5		

5. Harness

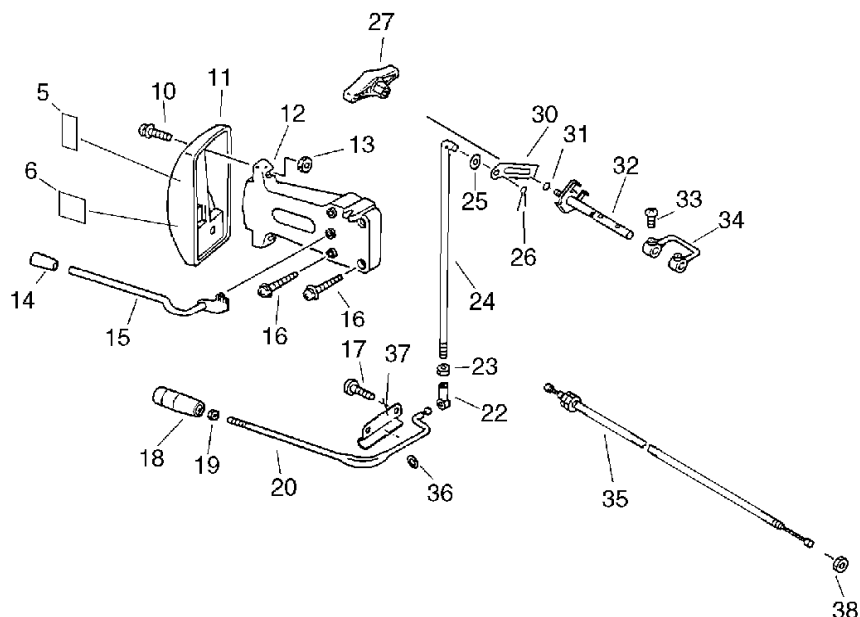
No.5



KEY	LV	PART NUMBER	Q'TY	DESCRIPTION	REMARKS	NOTE1	NOTE2
12		300318-06210	2	HOOK			Sr/Nr 006048 and before
8		300302-04910	1	HARNESS W/PAD			Sus. by 300302-07410
8		300302-07410	1	HARNESS, W/PAD			
9	+	900216-05014	1	SCREW 5*14	5*14		Sr/Nr 006048 and before
9	+	900216-05016	1	SCREW, 5*16	5*16		Sr/Nr 006049 and after
10	+	300328-03210	2	WASHER, HARNESS			
11	+	900560-00005	1	NUT, LOCK 5	5		

6. Control Lever

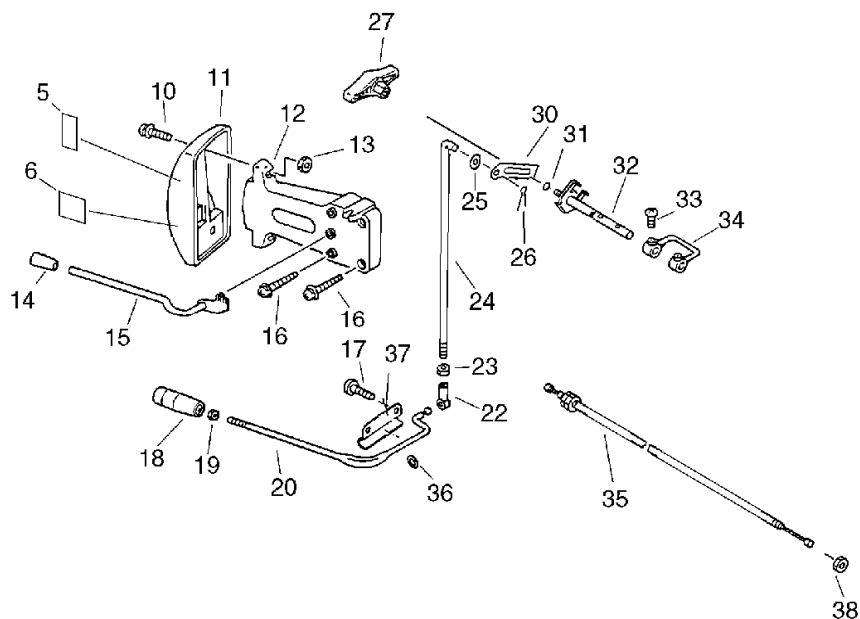
No.6



KEY	LV	PART NUMBER	Q'TY	DESCRIPTION	REMARKS	NOTE1	NOTE2
5		890348-05060	1	LABEL, SPEED			
6		890157-39130	1	LABEL, SWITCH			
10		900292-05025	2	SCREW 5*25	5*25 SUS		
11		701111-06210	1	DIAL		Sus. By 701111-06212	
11		701111-06211	1	DIAL		Sus. By 701111-06212	
11		701111-06212	1	DIAL			
12		701112-06410	1	BRACKET, DIAL			
13		900504-00005	2	NUT 5B	5B		
14		701021-02910	1	KNOB, LEVER			
15		178005-06410	1	LEVER, THROTTLE		Sus. by 178005-06411	
15		178005-06411	1	LEVER, THROTTLE			
16		900286-05025	4	SCREW 5*25	SUS	5*25 SUS	
17		900286-05016	2	SCREW 5*16	SUS	5*16 SUS	
18		701007-06610	1	KNOB, LEVER			
19		900502-00006	1	NUT 6 (3N)	3N6		
20		701010-06610	1	LEVER, CONTROL			
22		701020-05510	1	CONNECTOR			
23		900500-00005	1	NUT 5	5		
24		701014-06210	1	ROD, CONTROL LEVER		Sus. by 701014-06510	
24		701014-06510	1	ROD, CONTROL LEVER			
25		900604-00006	2	WASHER 6(SUS)	6 SUS	Sr/Nr 004850 and before	

6. Control Lever

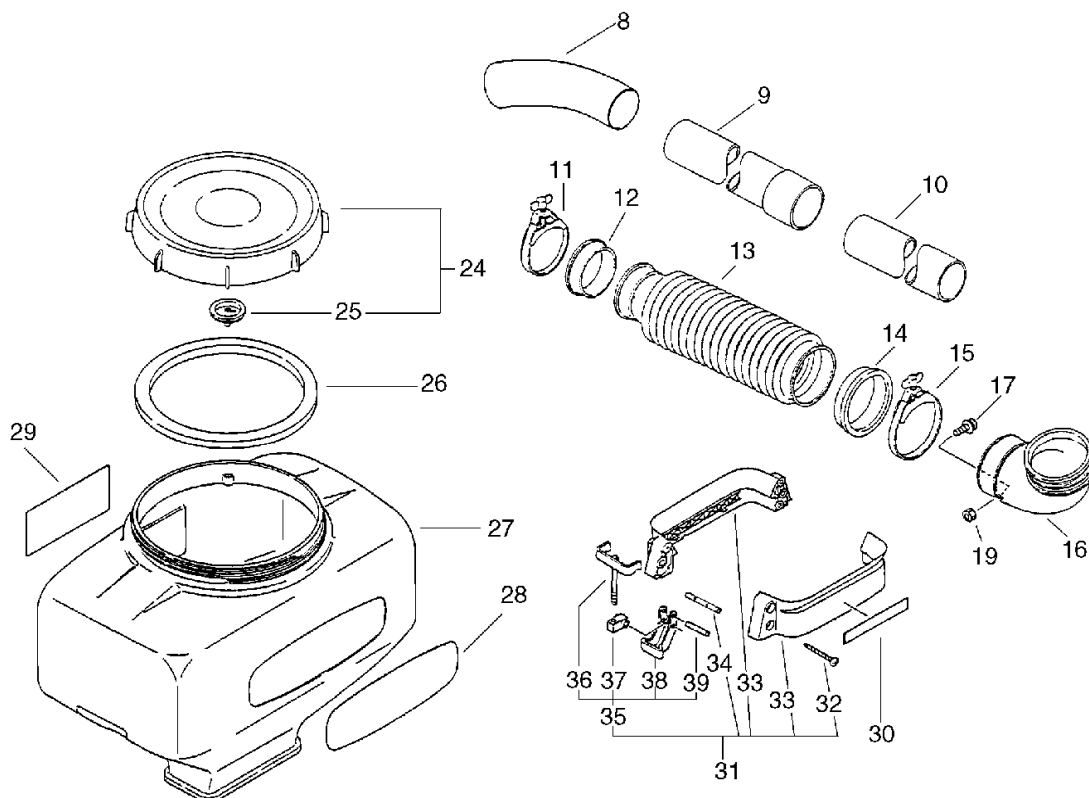
No.6



KEY	LV	PART NUMBER	Q'TY	DESCRIPTION	REMARKS	NOTE1	NOTE2
26		900304-14010	1	SPLIT PIN 1.4*10	1.4*10	Sr/Nr 004850 and before	
26		605612-06510	1	PIN, SNAP		Sr/Nr 004851 and after	
27		270207-04310	1	NUT (BS)			
30		270212-06410	1	ARM, SHUTTER			
31		900720-00007	1	O-RING 7	P-7		
32		270205-06410	1	SHAFT, SHUTTER		Sus. by 270205-06411	
32		270205-06411	1	SHAFT, SHUTTER			
33		900292-04014	2	SCREW 4*14	4*14 SUS		
34		270216-06210	1	ARM			
35		178001-05810	1	WIRE, THROTTLE			
36		900600-00008	1	WASHER 8	8		
37		701028-06210	1	HOLDER, STOPPER			
38		900503-00006	1	NUT (3N 6*0.75)	3N 6*0.75		

7. Chemical Tank

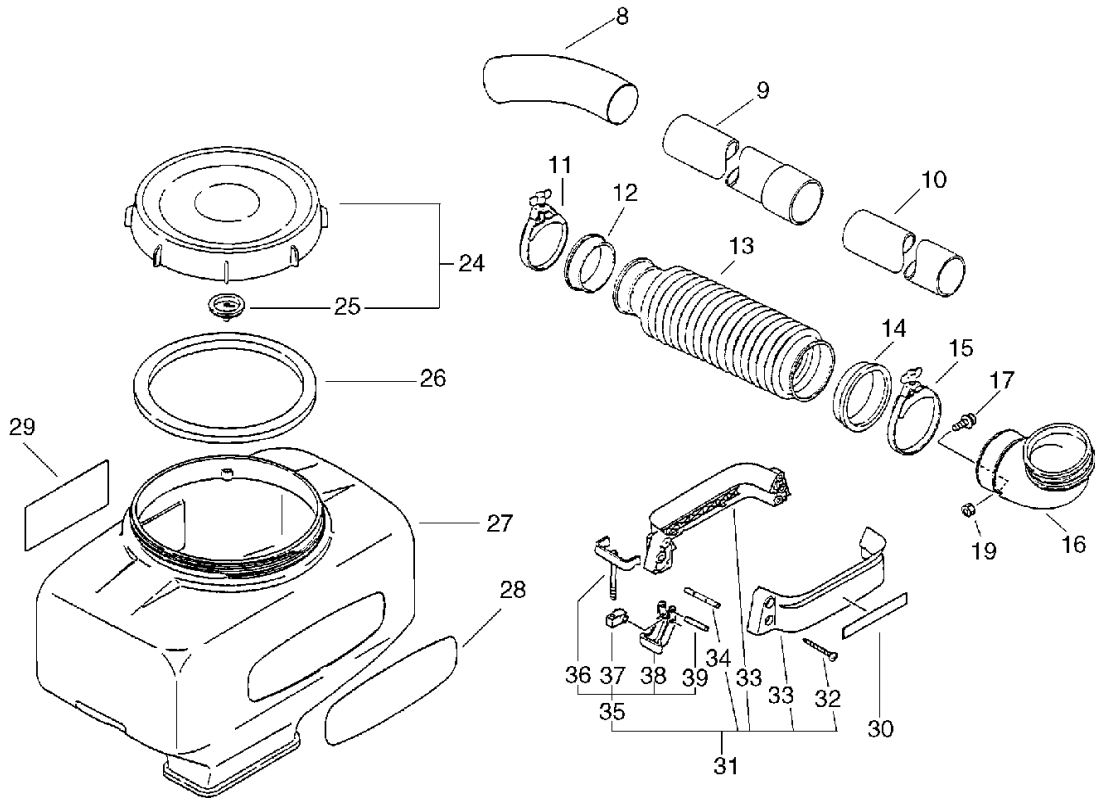
No.7



KEY	LV	PART NUMBER	Q'TY	DESCRIPTION	REMARKS	NOTE1	NOTE2
8		210023-00210	1	PIPE, CURVED (GY)			
9		210015-01110	1	PIPE, STRAIGHT (GY)			
10		210014-01610	1	PIPE, STRAIGHT			
11		210407-01110	1	CLAMP, FLEXIBLE PIPE			
12		210032-04110	1	PACKING, FLX. PIPE			
13		210013-04111	1	PIPE, FLEXIBLE			
14		210036-04110	1	GASKET, FLX. PIPE			
15		210407-04110	1	CLAMP, FLEXIBLE PIPE			
16		210011-05510	1	ELBOW, BLOWING			
17		900242-05014	1	SCREW 5*14	5*14		
19		900500-00005	1	NUT 5	5		
24		250001-05610	1	CAP, CHEMICAL TANK			
25	+	250013-00310	1	CAP, INSIDE			
26		250011-02011	1	PACKING			
27		250017-06510	1	TANK, CHEMICAL (23L)		Sus. by 250017-06512	
27		250017-06512	1	TANK, CHEMICAL (23L)		Sus. by 250017-06513	
27		250017-06513	1	TANK, CHEMICAL	23L		
28		890118-04261	1	LABEL, ECHO			
29		890160-09460	1	LABEL, CAUTION		Sus. by 890160-09461	
29		890160-09461	1	LABEL, CAUTION			
30		890151-06410	1	LABEL, MODEL			
31		270000-06310	1	HOLDER ASSY, C.TANK			
32	+	900286-05035	4	SCREW 5*35	5*35 SUS		

7. Chemical Tank

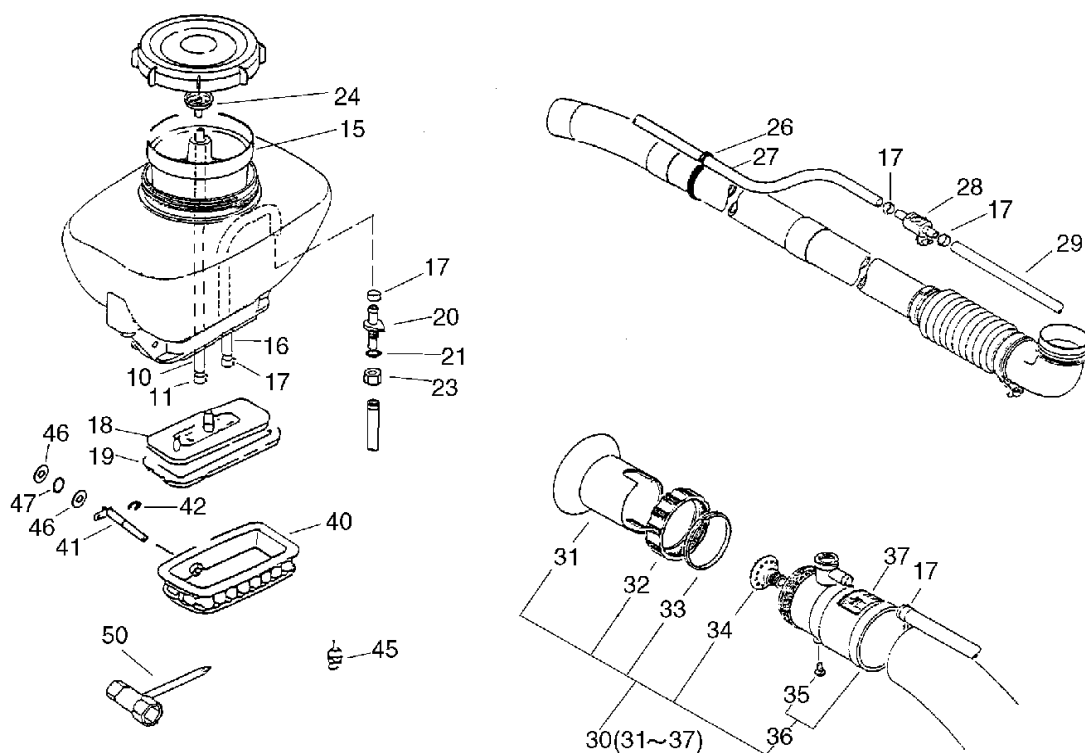
No.7



KEY	LV	PART NUMBER	Q'TY	DESCRIPTION	REMARKS	NOTE1	NOTE2
33	+	250910-06310	2	HOLDER, C. TANK			
34	+	250914-06210	2	PIN, TANK HOLDER			
35	+	250902-06310	2	BRACKET ASSY, C.TANK			
36	++	250915-06310	2	BOLT, TANK HOLDER			
37	++	250930-06210	2	CONNECTOR, BRACKET			
38	++	250392-06210	2	BRACKET, TANK			
39	++	900333-70380	2	PIN, STRAIGHT			

8. Mist Blower, Tool

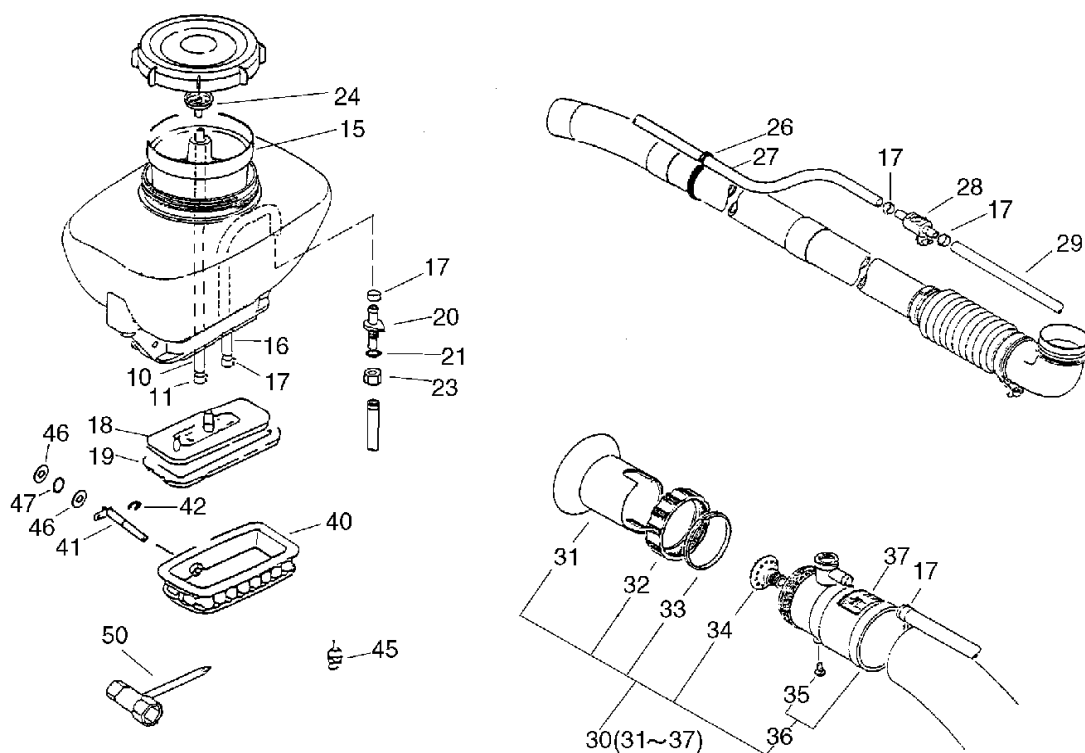
No.8



KEY	LV	PART NUMBER	Q'TY	DESCRIPTION	REMARKS	NOTE1	NOTE2
10		382011-01110	1	PIPE (9*13)	9*13*350		
11		357013-00210	1	CLIP 11	11ミJ	Sus. by 132013-14010	
11		132013-14010	1	BAND	10.5MM		
15		254210-03210	1	FILTER			
16		363014-03210	1	PIPE (INNER)	7*11*500BL		
17		357023-01110	5	CLIP 13		Sus. by V495-000310	
17		V495-000310	5	BAND			
18		253010-06210	1	PLATE, BASE			
19		270119-06210	1	GASKET, SHUTTER			
20		357010-01110	1	NIPPLE, OUTLET			
21		357014-01110	1	O-RING	3*13		
23		357015-01110	1	NUT, HOLLOW			
24		363023-01110	1	CLIP			
26		357911-00110	1	CLIP, PIPE			
27		357012-01110	1	PIPE (L-1050)	9*13*1050		
28		358100-01110	1	VALVE ASS'Y, PIPE			
29		357032-01110	1	PIPE (L-720)	9*13*720		
30		212500-01111	1	NOZZLE ASS'Y, MISTBL			
31	+	212515-01110	1	COLLAR, NOZZLE			
32	+	212514-01110	1	NUT, MISTING NOZZLE			
33	+	212513-01110	1	RING, MISTING NOZZLE			
34	+	222000-01110	1	NOZZLE			
36	+	212501-01111	1	HEAD, NOZZLE BL	BL		
35	++	900246-05012	1	SCREW 5*12	5*12		

8. Mist Blower, Tool

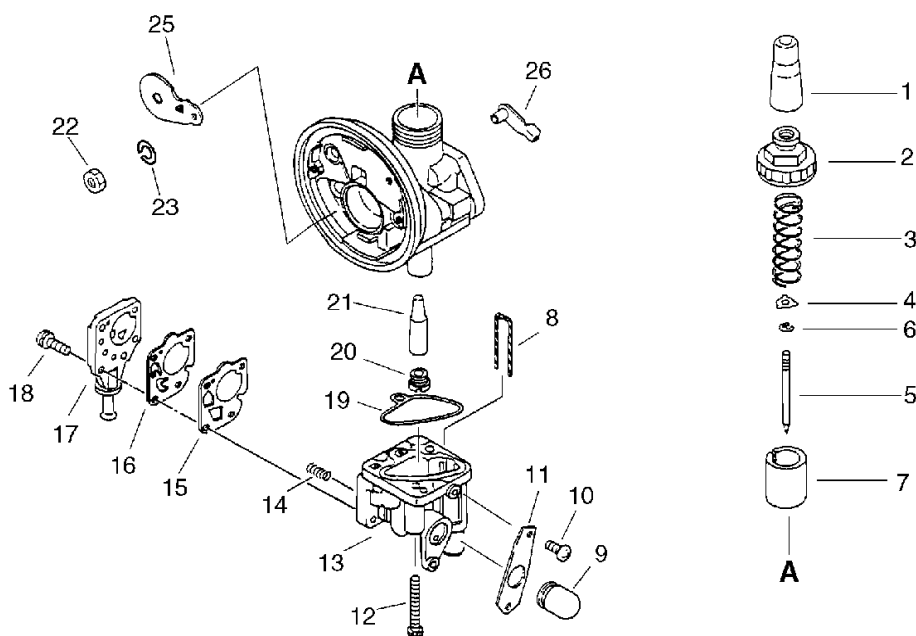
No.8



KEY	LV	PART NUMBER	Q'TY	DESCRIPTION	REMARKS	NOTE1	NOTE2
37	+	890031-01110	1	LABEL, MIST			
40		270010-06210	1	TANK, LOWER		Sus. by 270010-06211	
40		270010-06211	1	TANK, LOWER			
41		701033-06210	1	PIN, STRAIGHT 10		Sus. by 701033-06211	
41		701033-06211	1	PIN, STRAIGHT 10			
42	+	900703-00008	1	E-RING 8 SUS	CE-8 SUS	Sr/Nr 006733 and after	
45		250016-01110	1	PLUG			
46		900600-00006	2	WASHER 6	6	Sr/Nr 006732 and before	
47		900720-00005	1	O-RING 5	P-5	Sr/Nr 006732 and before	
50		895410-03930	1	WRENCH, W/S. DRIVER			

9. Carburetor

No.9



KEY	LV	PART NUMBER	Q'TY	DESCRIPTION	REMARKS	NOTE1	NOTE2
		124200-06410	1	CARBURETOR ASSY	K13PR-6E		
1	+	124174-11120	1	CAP			
2	+	124113-05910	1	COVER, TOP			
3	+	124114-11120	1	SPRING, THROTTLE			
4	+	124115-11120	1	SEAT, SPRING			
5	+	124117-05910	1	NEEDLE, JET			
6	+	124116-05530	1	E-RING			
7	+	124118-05910	1	VALVE, THROTTLE			
8	+	124182-05510	1	WIRE, DRAIN			
9	+	124381-05511	1	CAP			
10	+	900241-04008	2	SCREW 4*8	4*8		
11	+	124163-05510	1	PLATE			
12	+	900241-04030	2	SCREW 4*30 (W/SW)	4*30		
13	+	124124-05910	1	CHAMBER			
14	+	124367-21330	2	SPRING, COIL			
15	+	124363-21330	1	GASKET, PUMP DIAPH.			
16	+	124364-05510	1	DIAPHRAGM, FUEL PUMP			
17	+	124365-05510	1	COVER, PUMP			
18	+	900241-03010	4	SCREW 3*10 (W/SW)	3*10		
19	+	124123-05510	1	GASKET, CHAMBER			
20	+	124122-05510	1	JET, MAIN			
21	+	124162-05510	1	JET, NEEDLE			
22	+	124111-05810	1	NUT			
23	+	900605-00006	1	WASHER, SPRING 6	6		
25	+	124143-05810	1	PLATE, CHOKE			
26	+	124142-05810	1	LEVER, CHOKE			

Index

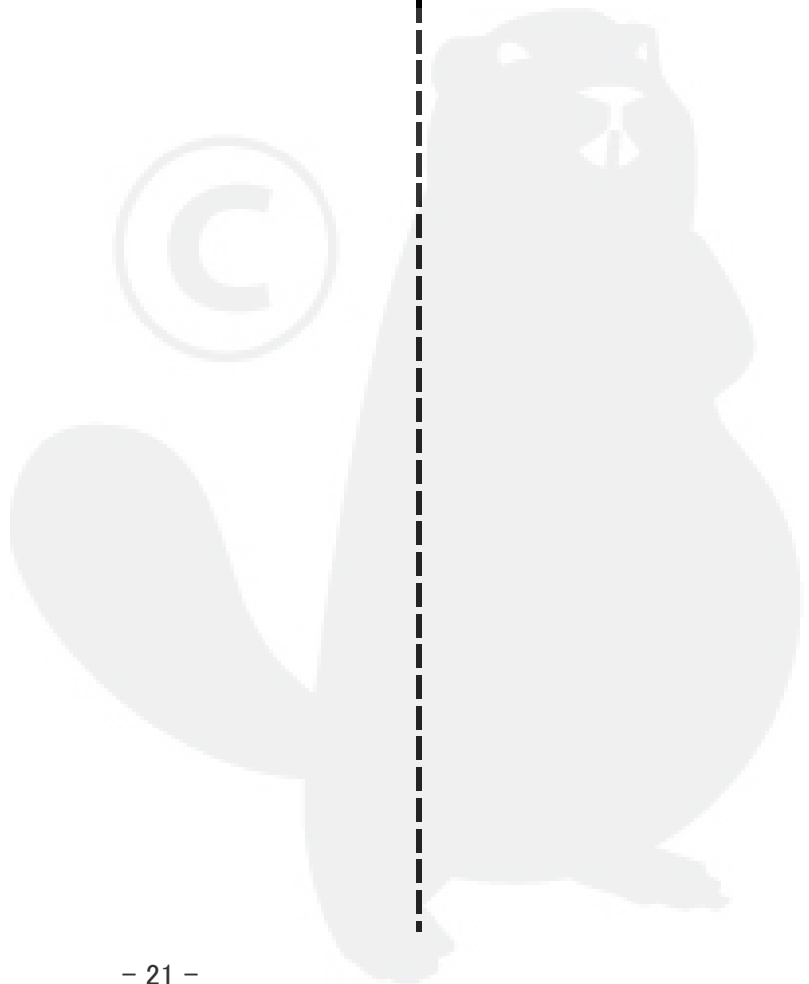
Patrs Number	Key No.	Patrs Number	Key No.	Patrs Number	Key No.
100000-03210	1 - 11	130017-06410	2 - 18	177215-11120	3 - 29
100011-10530	1 - 12	130307-03711	2 - 28	177218-40630	3 - 24
100012-12330	1 - 31	130310-02910	2 - 32	177220-11120	3 - 33
100012-12331	1 - 31	130311-03710	2 - 33	177226-11120	3 - 30
100013-00410	1 - 13	130313-03710	2 - 34	177227-42030	3 - 31
100015-00120	1 - 14	130317-03710	2 - 31	177228-11120	3 - 32
100100-06210	1 - 30	130319-03710	2 - 30	177234-40630	3 - 23
100204-08260	1 - 18	130320-05810	2 - 25	177236-40630	3 - 27
100204-08261	1 - 18	131003-05330	2 - 5	178001-05810	6 - 35
100213-00310	1 - 24	131005-06210	2 - 8	178005-06410	6 - 15
100213-00310	1 - 24	131005-06211	2 - 8	178005-06411	6 - 15
100213-02830	1 - 21	131005-06212	2 - 8	200005-06210	3 - 6
100215-03930	1 - 19	131005-06213	2 - 8	200105-06410	4 - 30
100242-10720	1 - 22	131016-21060	2 - 6	200105-06510	4 - 30
100242-10721	1 - 22	131016-21230	2 - 6	200107-06410	4 - 20
101010-10721	1 - 10	131205-05630	2 - 40	200107-06510	4 - 20
101010-10722	1 - 10	131205-19830	2 - 40	200910-06210	5 - 2
101011-08260	1 - 6	131205-30830	2 - 40	200916-03210	5 - 3
101011-08261	1 - 6	131600-07130	2 - 4	210011-05510	7 - 16
101514-06210	1 - 3	131600-21060	2 - 4	210013-04111	7 - 13
101514-06410	1 - 8	132001-05510	2 - 14	210014-01610	7 - 10
104016-06410	1 - 34	132010-06210	2 - 27	210015-01110	7 - 9
124111-05810	9 - 22	132010-06410	2 - 27	210023-00210	7 - 8
124113-05910	9 - 2	132010-06530	2 - 16	210032-04110	7 - 12
124114-11120	9 - 3	132010-35430	2 - 38	210035-06310	4 - 18
124115-11120	9 - 4	132013-05060	2 - 15	210036-04110	7 - 14
124116-05530	9 - 6	132013-14010	2 - 26	210407-01110	7 - 11
124117-05910	9 - 5	132013-14010	8 - 11	210407-04110	7 - 15
124118-05910	9 - 7	132013-26630	2 - 39	210425-04110	4 - 21
124122-05510	9 - 20	132115-12330	2 - 37	212500-01111	8 - 30
124123-05510	9 - 19	145510-06210	3 - 41	212501-01111	8 - 36
124124-05910	9 - 13	145510-06211	3 - 41	212513-01110	8 - 33
124142-05810	9 - 26	145512-06210	1 - 4	212514-01110	8 - 32
124143-05810	9 - 25	145512-06211	1 - 4	212515-01110	8 - 31
124162-05510	9 - 21	145610-06210	3 - 42	222000-01110	8 - 34
124163-05510	9 - 11	145610-06211	3 - 42	250001-05610	7 - 24
124174-11120	9 - 1	145610-06212	3 - 42	250011-02011	7 - 26
124182-05510	9 - 8	145642-00760	2 - 11	250013-00310	7 - 25
124200-06410	2 - 23	150112-00310	1 - 27	250016-01110	8 - 45
124200-06410	9 -	156601-06211	3 - 10	250017-06510	7 - 27
124363-21330	9 - 15	156611-04260	3 - 12	250017-06512	7 - 27
124364-05510	9 - 16	156800-06161	3 - 8	250017-06513	7 - 27
124365-05510	9 - 17	159010-10230	3 - 15	250110-06211	4 - 8
124367-21330	9 - 14	159012-10230	3 - 13	250110-06212	4 - 8
124381-05511	9 - 9	159016-05330	3 - 14	250392-06210	7 - 38
129011-05110	2 - 29	159129-08260	1 - 25	250902-06310	7 - 35
130010-06410	1 - 9	177200-06210	3 - 26	250910-06310	7 - 33
130016-06110	2 - 19	177202-06210	3 - 20	250914-06210	7 - 34
130016-06410	2 - 17	177214-40630	3 - 28	250915-06310	7 - 36

Index

Patrs Number	Key No.	Patrs Number	Key No.	Patrs Number	Key No.
250916-06210	5 - 4	357015-01110	8 - 23	900241-03010	9 - 18
250930-06210	7 - 37	357023-01110	8 - 17	900241-04008	9 - 10
253010-06210	8 - 18	357032-01110	8 - 29	900241-04030	9 - 12
254210-03210	8 - 15	357911-00110	8 - 26	900242-04014	2 - 13
270000-06310	7 - 31	358100-01110	8 - 28	900242-05010	1 - 7
270010-06210	4 - 24	363014-03210	8 - 16	900242-05014	3 - 44
270010-06210	8 - 40	363023-01110	8 - 24	900242-05014	7 - 17
270010-06211	4 - 24	370301-06210	4 - 28	900242-05018	1 - 26
270010-06211	8 - 40	370301-06211	4 - 28	900242-05018	3 - 9
270015-06210	4 - 9	370316-06210	4 - 27	900242-05040	1 - 20
270015-06211	4 - 9	370321-06210	4 - 26	900242-05055	2 - 24
270018-06210	4 - 25	382011-01110	8 - 10	900246-05012	8 - 35
270110-06210	4 - 15	605612-06510	6 - 26	900286-05016	6 - 17
270112-06210	4 - 16	701007-06610	6 - 18	900286-05025	4 - 4
270112-06211	4 - 16	701010-06610	6 - 20	900286-05025	6 - 16
270119-06210	4 - 17	701014-06210	6 - 24	900286-05035	7 - 32
270119-06210	8 - 19	701014-06510	6 - 24	900292-04014	6 - 33
270122-06211	4 - 19	701020-05510	6 - 22	900292-04018	3 - 35
270145-06210	4 - 11	701021-02910	6 - 14	900292-05020	1 - 35
270153-06210	4 - 13	701028-06210	6 - 37	900292-05025	1 - 28
270205-06410	6 - 32	701033-06210	8 - 41	900292-05025	6 - 10
270205-06411	6 - 32	701033-06211	8 - 41	900295-04014	4 - 14
270207-04310	6 - 27	701111-06210	6 - 11	900304-14010	6 - 26
270212-06410	6 - 30	701111-06211	6 - 11	900323-03014	1 - 33
270216-06210	6 - 34	701111-06212	6 - 11	900333-70380	7 - 39
275100-06211	4 - 5	701112-06410	6 - 12	900500-00005	6 - 23
275100-06212	4 - 5	890031-01110	8 - 37	900500-00005	7 - 19
275123-05510	4 - 12	890118-04261	7 - 28	900501-00010	3 - 3
300010-06410	5 - 1	890118-49330	3 - 36	900502-00006	6 - 19
300010-07310	5 - 1	890121-21430	2 - 21	900503-00006	6 - 38
300010-07311	5 - 1	890151-06410	7 - 30	900504-00005	4 - 29
300029-06210	3 - 37	890157-39130	6 - 6	900504-00005	6 - 13
300111-06410	5 - 5	890160-06360	1 - 36	900539-00005	4 - 7
300111-14010	5 - 5	890160-06361	1 - 36	900560-00005	5 - 11
300302-03210	5 - 7	890160-09460	7 - 29	900560-00005	5 - 11
300302-04910	5 - 8	890160-09461	7 - 29	900600-00006	8 - 46
300302-07410	5 - 7	890187-03710	2 - 35	900600-00008	6 - 36
300302-07410	5 - 8	890348-05060	6 - 5	900602-00010	3 - 5
300318-06210	5 - 12	895410-03930	8 - 50	900603-00005	2 - 41
300328-03210	5 - 10	900105-06020	3 - 43	900604-00005	4 - 23
300328-03210	5 - 10	900148-05035	3 - 7	900604-00006	6 - 25
300333-06160	5 - 6	900162-05020	1 - 5	900605-00006	2 - 10
300333-06410	5 - 6	900174-05018	4 - 3	900605-00006	9 - 23
305117-03360	3 - 38	900216-05014	5 - 9	900605-00010	3 - 4
357010-01110	8 - 20	900216-05014	5 - 9	900609-00005	4 - 22
357012-01110	8 - 27	900216-05016	5 - 9	900700-00004	3 - 21
357013-00210	2 - 26	900216-05016	5 - 9	900702-00035	1 - 23
357013-00210	8 - 11	900220-06014	2 - 9	900703-00008	8 - 42
357014-01110	8 - 21	900226-04010	4 - 10	900720-00004	4 - 6

Index

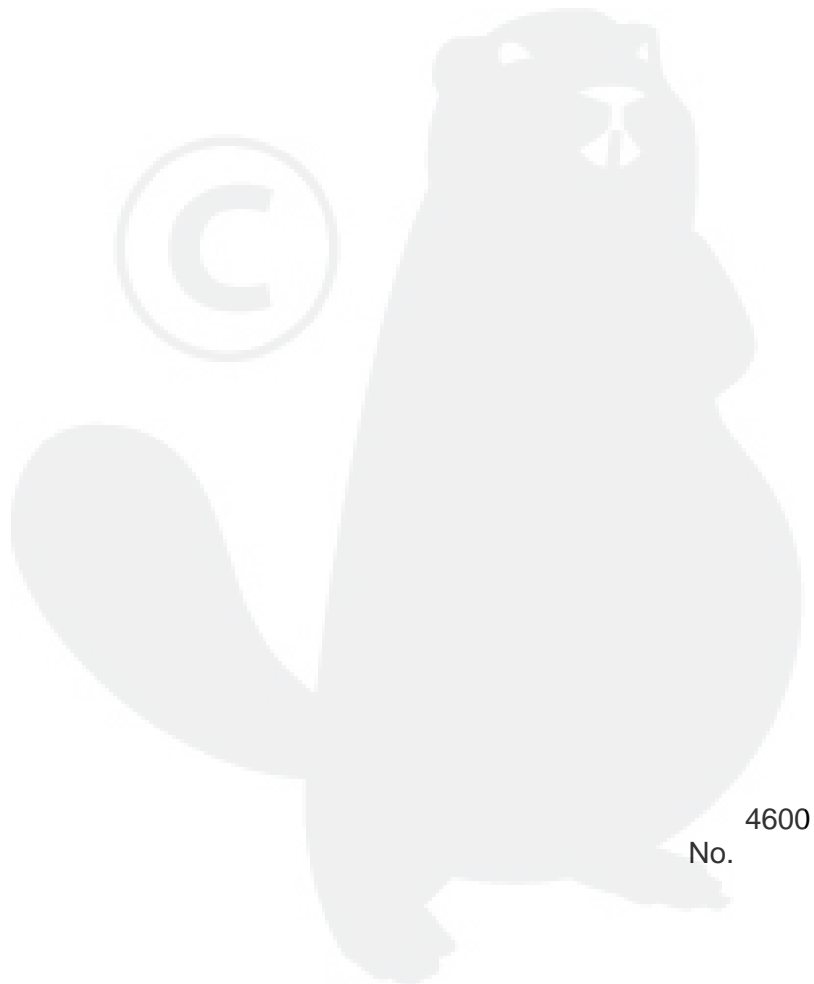
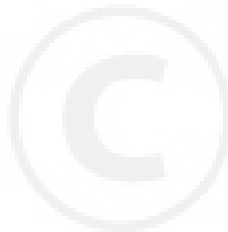
Patrs Number	Key No.	Patrs Number	Key No.	Patrs Number	Key No.
900720-00005	8 - 47				
900720-00007	6 - 31				
900810-36202	1 - 32				
V495-000310	8 - 17				



YAMABIKO CORPORATION

7-2 SUEHIROCHO 1-CHOME, OHME, TOKYO 198-8760, JAPAN
PHONE: 81-428-32-6118. FAX: 81-428-32-6145.

ECHO®



4600
No.