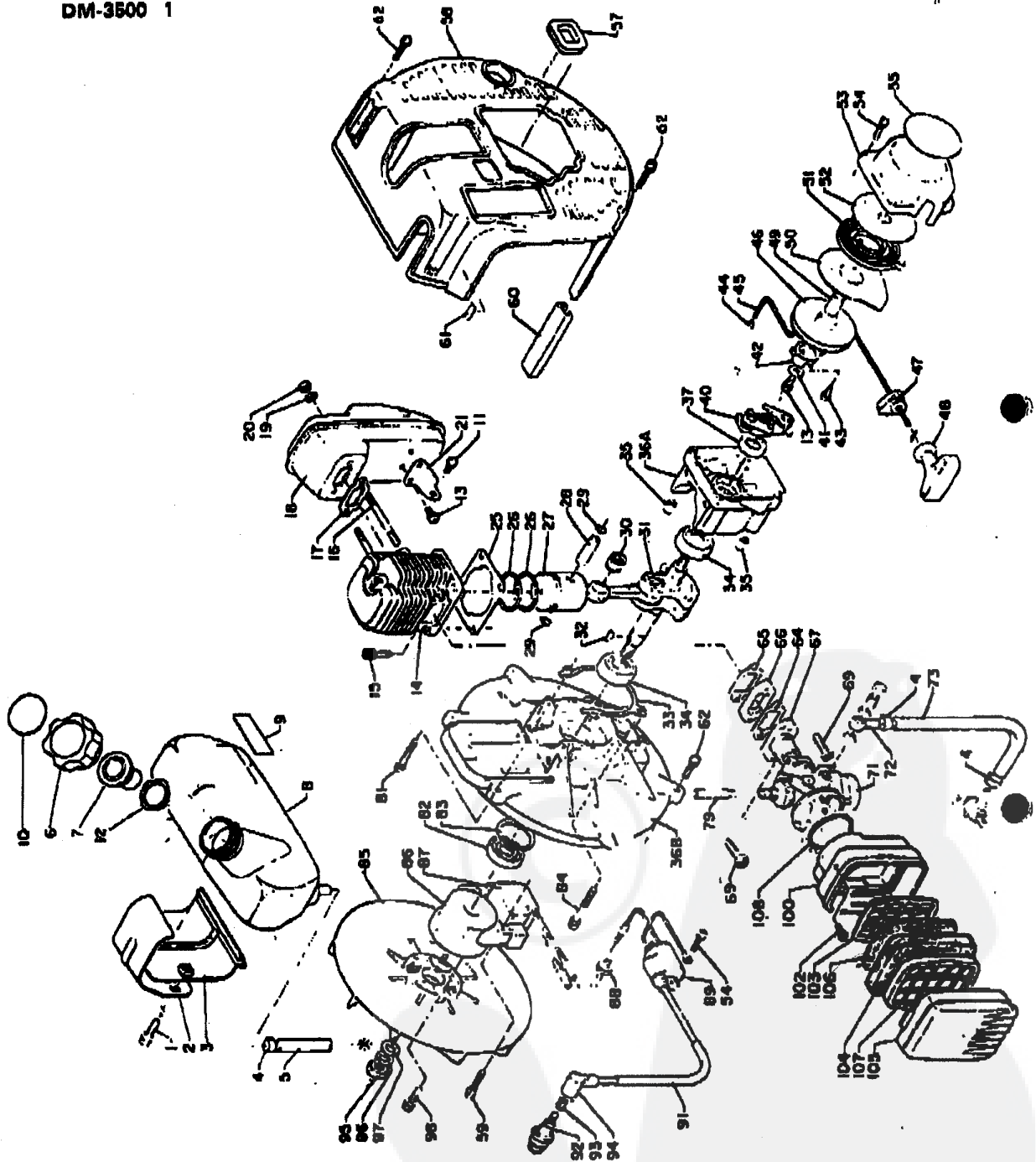


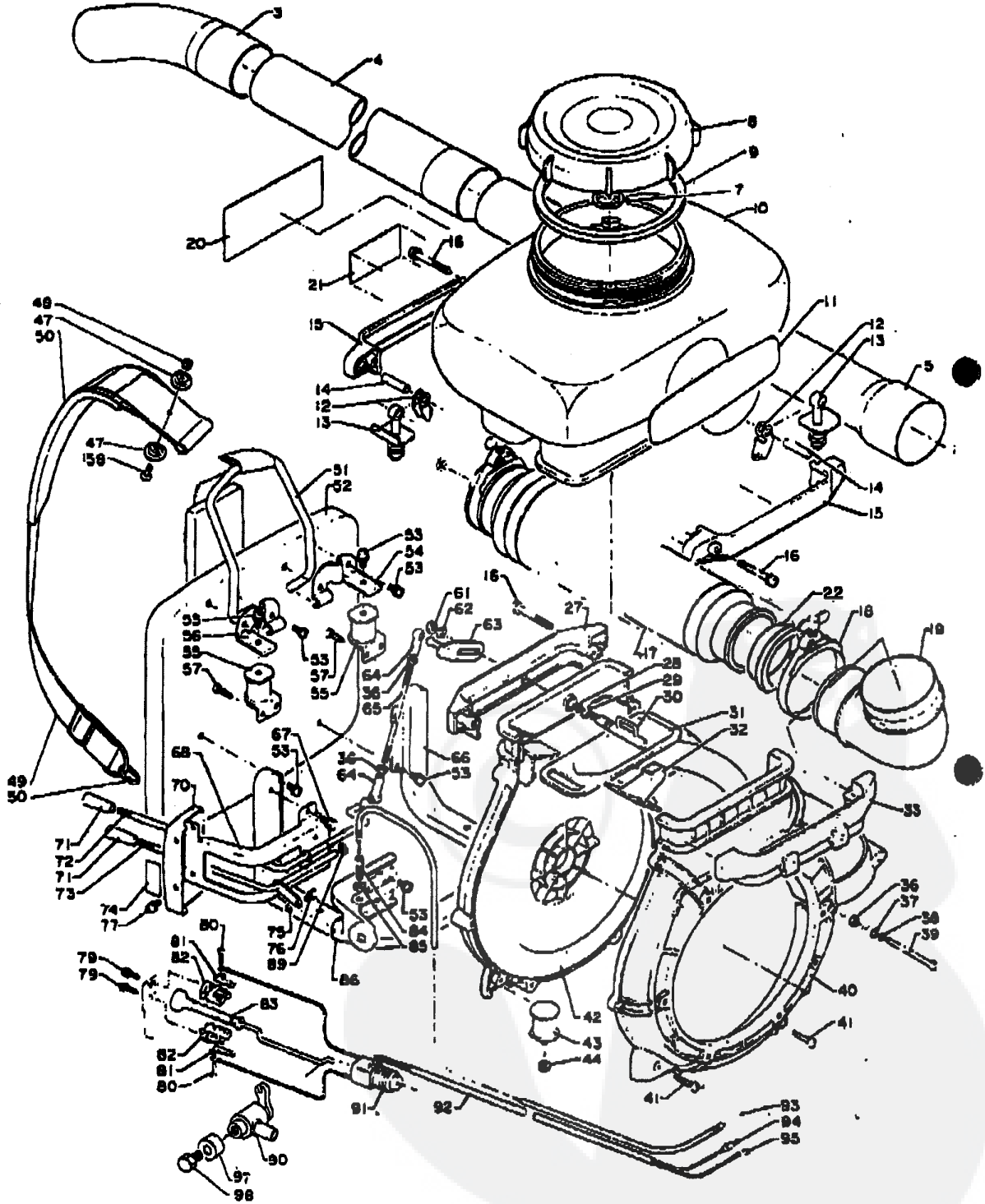
DM-3500 1



| Key | Part No. | Q'ty | Description | Key | Part No. | Q'ty | Description |
|-----|-----------------|------|-----------------|-----|-----------------|------|------------------|
| 1 | 900 142-0602 0 | 2 | Bolt | 49 | .177 216-1233 0 | 1 | Bushing |
| 2 | 131 910-0291 0 | 1 | Bracket | 50 | .177 242-0291 0 | 1 | Plate |
| 3 | 131 918-0291 0 | 1 | Bracket | 51 | .177 220-0393 0 | 1 | Spring, rewind |
| 4 | 357 013-0021 0 | 4 | Clamp | 52 | .177 221-0672 0 | 1 | Plate |
| 5 | 132 010-0331 0 | 1 | Pipe | 53 | .177 209-0291 0 | 1 | Case, starter |
| 6 | 131 804-0713 1 | 1 | Cap ass'y, fuel | 54 | 900 242-0402 0 | 6 | Screw |
| 10 | 890 154-1273 0 | 1 | Decal | 55 | 890 112-1783 0 | 1 | Decal |
| 7 | 131 003-0533 0 | 1 | Breather cup | 57 | 104 020-0291 0 | 1 | Grommet |
| 8 | 131 010-0291 0 | 1 | Tank, fuel | 58 | 104 016-0331 0 | 1 | Cover, engine |
| 9 | 890 112-0391 0 | 1 | Decal | 59 | 900 242-0502 5 | 2 | Screw |
| 11 | 900 242-0501 4 | 1 | Screw | 60 | 104 018-0291 0 | 1 | Grommet |
| 12 | 131 016-0713 0 | 1 | Gasket | 61 | 890 121-0066 0 | 1 | Decal |
| 13 | 900 242-0501 0 | 2 | Screw | 62 | 900 242-0502 0 | 10 | Screw |
| 14 | 101 011-0291 0 | 1 | Cylinder | 64 | 130 010-0331 1 | 1 | Gasket, |
| 15 | 900 182-0602 0 | 4 | Bolt | 65 | 130 016-0291 1 | 1 | Gasket |
| 16 | 101 014-0231 0 | 2 | Stud | 66 | 130 017-0291 0 | 1 | Insulator |
| 17 | 145 510-0291 1 | 1 | Gasket | 67 | 130 510-0291 1 | 1 | Adaptor, intake |
| 18 | 145 605-0291 0 | 1 | Muffler | 69 | 900 242-0602 0 | 2 | Screw |
| 19 | 900 600-0000 6 | 2 | Washer | 71 | 120 000-0331 2 | 1 | Carburetor |
| 20 | 145 710-0023 0 | 2 | Nut | 72 | 132 024-0066 0 | 1 | Connector |
| 21 | 145 711-0231 0 | 1 | Bracket | 73 | 132 012-0473 1 | 1 | Pipe |
| 25 | 101 010-0291 1 | 1 | Gasket | 79 | 178 127-0291 0 | 1 | Tube |
| 26 | 100 011-1123 0 | 2 | Ring, piston | 81 | 900 242-0504 0 | 2 | Screw |
| 27 | 100 010-0291 0 | 1 | Piston | 82 | 100 213-0283 0 | 1 | Oilseal |
| 28 | 100 013-0041 0 | 1 | Pin, piston | 83 | 900 702-0003 5 | 1 | Circlip |
| 29 | 100 016-0012 0 | 2 | Circlip | 84 | 900 242-0503 0 | 2 | Screw |
| 30 | 100 012-1233 0 | 1 | Bearing, needle | 85 | 200 010-0291 0 | 1 | Fan |
| 31 | 100 100-0291 0 | 1 | Crankshaft | 86 | 150 801-0291 0 | 1 | Flywheel |
| 32 | 100 142-0031 0 | 1 | Key, woodruff | 87 | 150 601-0291 0 | 1 | Modul CDI |
| 33 | 100 242-0291 1 | 1 | Gasket | 88 | 150 614-0291 0 | 1 | Grommet |
| 34 | 900 810-3620 2 | 2 | Bearing, ball | 89 | 150 626-0211 0 | 1 | Coil, ignition |
| 36 | 100 200-0291 0 | 1 | Crankcase set | 91 | 150 111-0211 0 | 1 | Tube |
| 35 | .100 215-0573 0 | 2 | Pin, dowel | 92 | 159 010-0033 0 | 1 | Plug, spark |
| 37 | 100 213-0031 0 | 1 | Oilseal | 93 | 159 011-0051 0 | 1 | Coil, spark plug |
| 40 | 177 305-0672 0 | 1 | Pawl ass'y | 94 | 159 012-0162 0 | 1 | Cap, spark plug |
| | 177 200-0291 0 | 1 | Starter ass'y | 95 | 900 501-0001 0 | 1 | Nut |
| 13 | .900 242-0501 0 | 1 | Screw | 96 | 900 605-0001 0 | 1 | Washer, spring |
| 41 | .177 214-0263 0 | 1 | Washer | 97 | 900 800-0001 0 | 1 | Washer |
| 42 | .177 243-0413 0 | 1 | Catcher | 98 | 900 142-0502 0 | 4 | Bolt |
| 43 | .900 241-0400 8 | 2 | Screw | 100 | 130 307-0371 1 | 1 | Case, air filter |
| 44 | .177 246-0393 0 | 1 | Clip | 102 | 900 242-0401 4 | 2 | Screw |
| 45 | .177 226-0393 0 | 1 | Rope, starter | 103 | 130 319-0371 0 | 1 | Grid |
| 48 | .177 215-0413 0 | 1 | Reel, starter | 104 | 130 310-0291 0 | 1 | Filter, air |
| 47 | .177 227-0291 0 | 1 | Guide | 105 | 130 313-0371 0 | 1 | Cover, filter |
| 48 | .177 228-1113 0 | 1 | Grip | 106 | 130 317-0371 0 | 1 | Filter, air |
| | | | | 107 | 130 311-0371 0 | 1 | Grid, filter |
| | | | | 108 | 130 320-0371 0 | 1 | Gasket |

Remarks 6 consists of 7, 10, 12

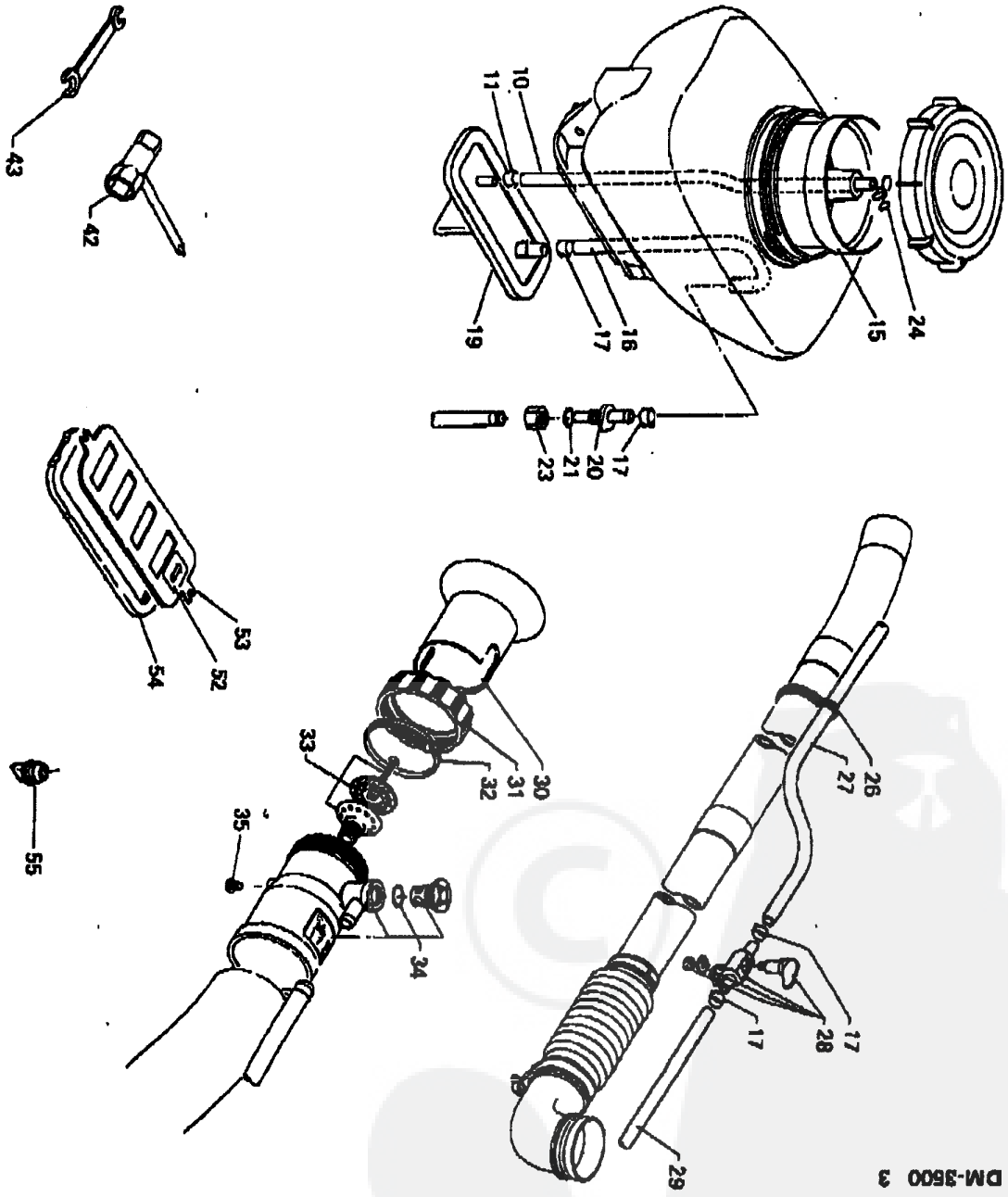
DM-3500 2



| Key | Part No. | Q'ty | Description | Key | Part No. | Q'ty | Description | |
|-----|----------|----------------|-------------|----------------|----------|----------------|-------------|-------------------|
| 2- | 3 | 210 023-0021 0 | 1 | Pipe, curved | 55 | 200 808-0291 0 | 2 | Cushion |
| | 4 | 210 016-0111 0 | 1 | Pipe, straight | 56 | 300 615-0291 1 | 1 | Bracket |
| | 6 | 210 014-0161 0 | 1 | Pipe, straight | 57 | 200 924-0291 0 | 4 | Screw |
| | 8 | 250 001-0581 0 | 1 | Cap, tank | 58 | 900 216-0501 4 | 2 | Screw |
| | 7 | 250 013-0031 0 | 1 | Cap, inner | 59 | 300 319-0161 1 | 2 | Ring |
| | 9 | 250 011-0201 1 | 1 | Gasket, tank | 60 | 900 242-0501 0 | 2 | Screw |
| | 10 | 250 017-0341 0 | 1 | Tank, chemical | 61 | 900 500-0000 8 | 1 | Nut |
| | 11 | 890 118-0111 0 | 1 | Decal | 62 | 900 602-0000 6 | 1 | Washer |
| | 12 | 250 925-0291 0 | 2 | Holder | 63 | 270 208-0291 1 | 1 | Arm, shutter |
| | 13 | 250 907-0291 1 | 2 | Bolt | 64 | 701 020-0111 0 | 2 | Connector |
| | 14 | 250 914-0111 0 | 2 | Pin | 65 | 701 014-0291 0 | 1 | Rod, dust control |
| | 15 | 250 900-0381 0 | 1 set | Holder | 66 | 300 005-0291 0 | 1 | Frame, backpack |
| | 16 | 900 249-0505 0 | 8 | Screw | 67 | 900 142-0501 0 | 2 | Bolt |
| | 17 | 210 012-0171 0 | 1 | Pipe, flexible | 68 | 701 105-0291 0 | 1 | Bracket, dial |
| | 22 | 210 032-0161 0 | 2 | Packing | 70 | 701 111-0291 0 | 1 | Dial |
| | 18 | 210 407-0111 0 | 2 | Clamp | 71 | 701 021-0291 0 | 2 | Knob |
| | 19 | 210 011-0301 0 | 1 | Elbow, blowing | 72 | 701 006-0291 1 | 1 | Lever |
| | 20 | 890 178-0371 0 | 1 | Decal | 73 | 178 010-0291 0 | 1 | Control, throttle |
| | 21 | 890 120-0371 0 | 1 | Decal | 74 | 890 157-0371 0 | 1 | Decal |
| | 27 | 270 026-0381 0 | 1 | Holder | 75 | 900 700-0000 3 | 1 | E-ring |
| | 28 | 270 217-0111 0 | 1 | O-ring | 76 | 178 018-0291 0 | 1 | Swivel |
| | 29 | 900 703-0000 8 | 1 | E-ring | 77 | 900 242-0501 2 | 2 | Screw |
| | 30 | 270 205-0291 1 | 1 | Shaft, shutter | 79 | 900 242-0401 0 | 2 | Screw |
| | 31 | 370 613-0291 0 | 1 | Pipe | 80 | 900 246-0301 6 | 2 | Screw |
| | 32 | 370 316-0291 0 | 1 | Guide | 81 | 183 412-0066 0 | 2 | Spring |
| | 33 | 270 010-0381 0 | 1 | Holder | 82 | 183 410-0066 1 | 2 | Knob, switch |
| | 36 | 900 500-0000 5 | 4 | Nut | 83 | 183 414-0291 0 | 1 | Rod, stop switch |
| | 37 | 900 600-0000 5 | 2 | Washer | 84 | 178 021-0291 0 | 1 | Adjuster |
| | 38 | 900 605-0000 5 | 2 | Washer, spring | 85 | 900 502-0000 8 | 1 | Nut |
| | 39 | 210 425-0231 0 | 2 | Screw | 86 | 701 110-0291 0 | 1 | Holder, lever |
| | 40 | 200 107-0291 1 | 1 | Case, fan | 90 | 132 200-0066 1 | 1 | Valve ass'y |
| | 41 | 200 126-0291 0 | 9 | Screw | 91 | 183 910-0066 0 | 1 | Cover, switch |
| | 42 | 200 110-0291 1 | 1 | Case, fan | 92 | 178 016-0291 0 | 1 | Tube |
| | 43 | 200 916-0111 0 | 2 | Cushion | 93 | 178 001-0331 0 | 1 | Wire, throttle |
| | 44 | 900 515-0000 8 | 2 | Nut, flange | 94 | 182 021-0291 0 | 1 | Lead |
| | 47 | 300 328-0321 0 | 4 | Washer | 95 | 182 010-0291 0 | 1 | Lead, ground |
| | 48 | 433 020-0083 0 | 2 | Nut | 97 | 132 511-0066 0 | 1 | Spacer |
| | 49 | 300 300-0321 0 | 2 | Harness | 98 | 900 142-0401 0 | 1 | Bolt |
| | 50 | 300 322-0321 0 | 2 | Pad, shoulder | | | | |
| | 51 | 300 610-0291 1 | 1 | Hanger | | | | |
| | 52 | 300 105-0291 0 | 1 | Cushion | | | | |
| | 53 | 900 242-0501 2 | 10 | Screw | | | | |
| | 54 | 300 614-0291 1 | 1 | Bracket | | | | |

| Key | Part No. | Q'ty | Description | Key | Part No. | Q'ty | Description |
|------|------------------|------|--------------|-----|------------------|------|---------------|
| 3-10 | 363 014-0031 0 | 1 | Tube | 31 | . 212 514-0111 0 | 1 | Nut |
| 11 | 357 013-0021 0 | 1 | Clamp | 32 | . 212 513-0111 0 | 1 | Ring |
| 15 | 254 210-0321 0 | 1 | Filter, tank | 33 | . 222 000-0111 0 | 1 | Nozzle |
| 16 | 382 011-0111 0 | 1 | Tube | 34 | . 212 501-0111 1 | 1 | Head, nozzle |
| 17 | 357 023-0111 0 | 5 | Clamp | 35 | . 900 248-0601 2 | 1 | Screw, nozzle |
| 19 | 253 000-0291 1 | 1 | Plate | 42 | 886 410-0043 0 | 1 | Wrench, box |
| 20 | 357 010-0111 0 | 1 | Connector | 43 | 885 123-0383 0 | 1 | Spanner |
| 21 | 357 014-0111 0 | 1 | O-ring | 52 | 890 132-0111 0 | 1 | Label |
| 23 | 357 015-0111 0 | 1 | Nut | 53 | 270 100-0291 1 | 1 | Shutter ass'y |
| 24 | 363 023-0111 0 | 1 | Clip | 54 | . 270 119-0291 1 | 1 | Gasket |
| 26 | 357 811-0011 0 | 1 | Clip | 55 | 250 016-0111 0 | 1 | Plug |
| 27 | 357 012-0111 0 | 1 | Pipe | | | | |
| 28 | 358 100-0111 0 | 1 | Valve | | | | |
| 29 | 357 032-0111 0 | 1 | Pipe | | | | |
| * | 212 500-0111 1 | 1 | Nozzle ass'y | | | | |
| 30 | . 212 515-0111 0 | 1 | Collar | | | | |

- 18 -

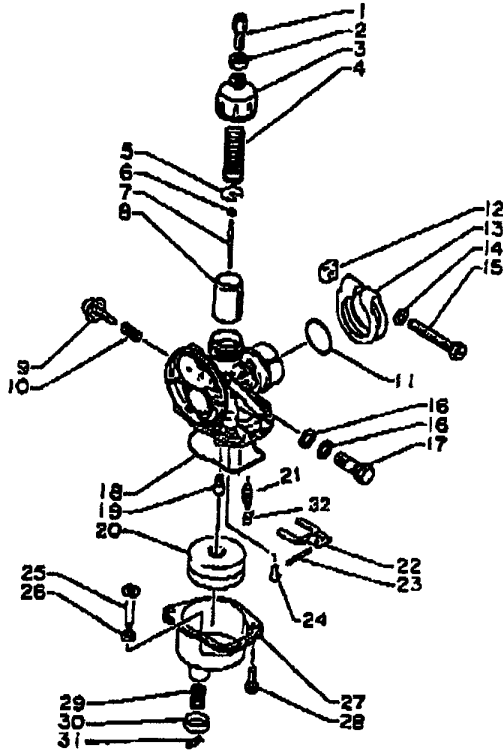


DM-3600 3



FROM KIRITZ CORPORATION 2006 28 48 (4) 14:14 / 14:13 / X999921220178 P 8

DM-3500 4



| Key | Part No. | Q'ty | Description |
|-----|-----------------|------|-------------------|
| 4- | 120 000-0331 2 | 1 | Carburetor ass'y |
| 1 | .120 158-0382 0 | 1 | Adjuster, cable |
| 2 | .120 111-0473 0 | 1 | Nut |
| 3 | .120 113-0241 0 | 1 | Cover, top |
| 4 | .120 114-0331 0 | 1 | Spring, throttle |
| 5 | .120 115-0802 0 | 1 | Seat, spring |
| 6 | .120 116-1021 1 | 1 | E-ring |
| 7 | .120 103-0331 0 | 1 | Needle, jet |
| 8 | .120 118-0331 0 | 1 | Valve, throttle |
| 9 | .120 158-2793 0 | 1 | Screw, idle speed |
| 10 | .120 160-0132 1 | 1 | Spring |
| 11 | .120 125-0231 0 | 1 | O-ring |
| 12 | .120 161-1021 0 | 1 | Nut |
| 13 | .120 146-0022 0 | 1 | Clip |
| 14 | .900 600-0000 6 | 1 | Washer |
| 15 | .120 147-0291 0 | 1 | Screw |
| 16 | .120 130-1021 0 | 2 | Gasket |
| 17 | .120 131-0012 0 | 1 | Bolt, banjo |
| 18 | .120 123-1021 0 | 1 | Gasket, chamber |
| 19 | .120 122-0331 0 | 1 | Jet, main |
| 20 | .120 133-0573 0 | 1 | Float |
| 21 | .120 120-0573 1 | 1 | Valve, float |
| 22 | .120 121-2743 1 | 1 | Arm, float |
| 23 | .120 132-1021 1 | 1 | Pin, float |
| 24 | .900 220-0400 6 | 1 | Screw |
| 25 | .120 177-0331 0 | 1 | Shaft, link |
| 26 | .120 178-0331 1 | 1 | O-ring |
| 27 | .120 124-0331 1 | 1 | Chamber, float |
| 28 | .900 241-0401 2 | 2 | Screw |
| 29 | .120 178-0331 1 | 1 | Spring |
| 30 | .120 180-0331 1 | 1 | Collar |
| 31 | .120 181-0331 2 | 1 | E-clip |
| 32 | .120 182-2243 0 | 1 | Clip |