

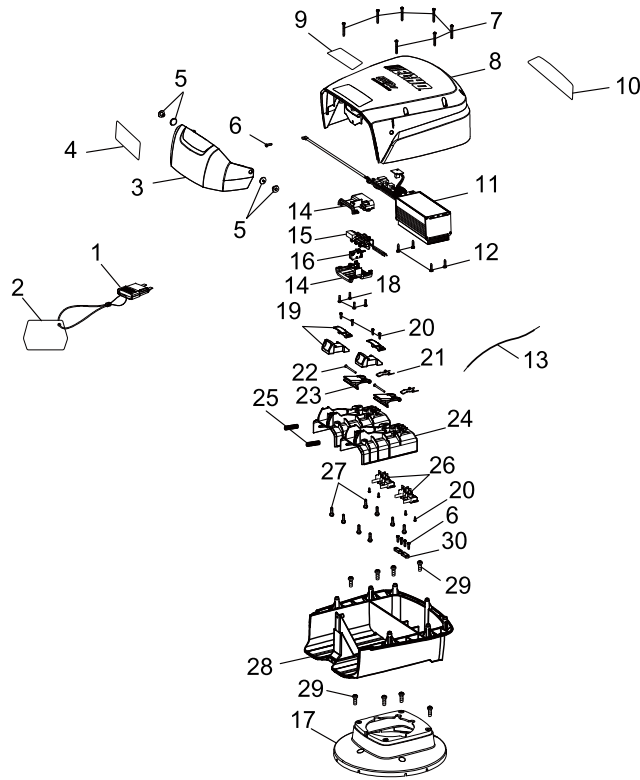
ECLM-58V

Published:07/03/2018

TABLE OF CONTENTS

COVER	1
BODY	3
HANDLE	5

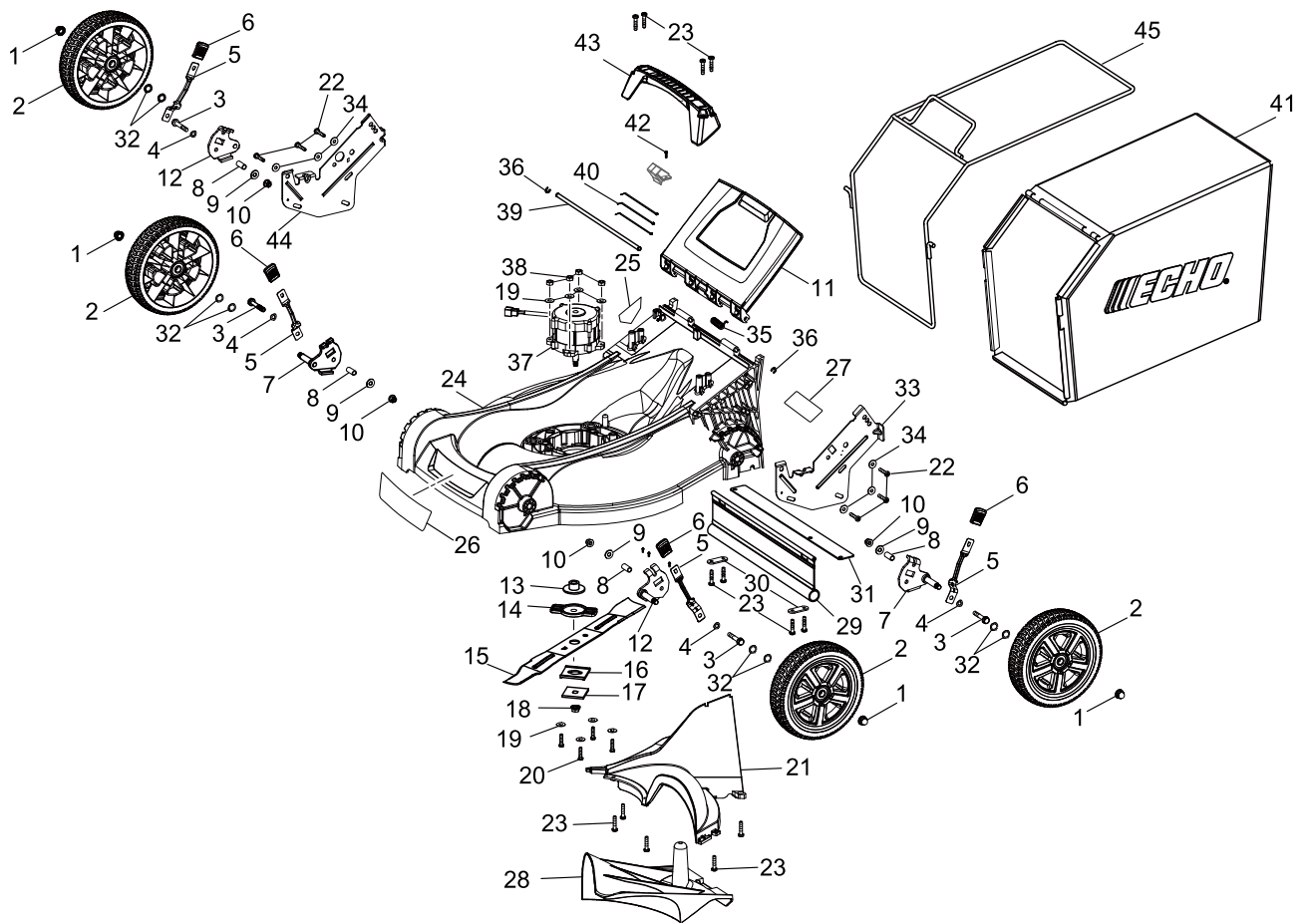
COVER



COVER

KEY NO	LV(+)	Part No	Description	Qty	Standard	Comment
1		313987001	KEY ASY	1		
2	+	940851386	LABEL	1		
3		313985001	COVER,BATTERY	1	M5 X 0.8	
4	+	940705415	LABEL	1		
5		311387001	RIVET KIT	2		
6		661817001	SCREW	5	M4*14	
7		661864007	SCREW	7	M4*18	
8		313984001	MOTOR COVER	1		
9	+	940851387	LABEL	1		
10		941768063	LABEL	1		
11		280439003	CONTROL PANEL	1		
12		660608002	SCREW	4	M4*16	
13		770506002	LEAD	1		
14		311388001	HOUSING	1		
15		291390001	PIN SOCKET ASSY	1		
16		760689007	ON/OFF SWITCH	1		
17		528310001	MOTOR COVER	1		
18		660206047	SCREW	4	M3.5*1.27	
19		311391001	LEVER, RELEASE ASY	2		
20		660203087	SCREW	8	M3*12	
21		694463001	SPRING	2		
22		621762001	LATCH	2		
23		528285001	LEVER, RELEASE	2		
24		528287001	HOLDER,BATTERY	2		
25		694464001	SPRING	2		
26		528290004	TERMINAL, BATTERY	2		
27		662051002	SCREW	8	T25,M5	
28		528309001	MOTOR COVER	1		
29		664004001	SCREW	8	T30,1/4-15*.75	
30		513211001	CLAMP	2		

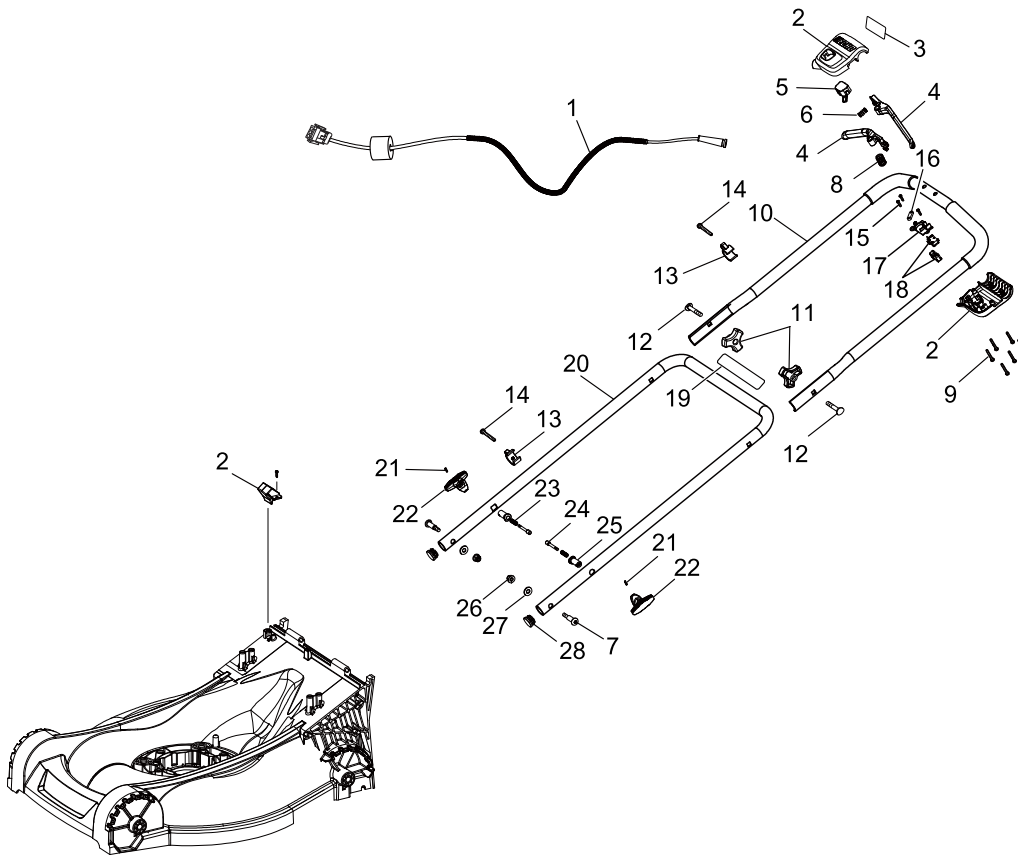
BODY



BODY

KEY NO	LV(+)	Part No	Description	Qty	Standard	Comment
1		662224001	NUT	4	M10*1.25	
2		330034001	WHEEL	4		
3		660969001	SCREW	4	M8*50	
4		636197001	WASHER	4		
5		636938001	ADJUSTER	4		
6		528301001	KNOB	4		
7		694468001	BRACKET, WHEEL	2		
8		694470001	COLLAR	4		
9		636233001	WASHER	4		
10		678774012	FLANGE NUT	4	M8*1.25	
11		528282001	REAR DOOR	1		
12		694469001	BRACKET, WHEEL	2		
13		639120001	AXLE	1		
14		526921002	HOLDER	1		
15		681938-001	BLADE	1	21in	
16		526920001	SPACER	1		
17		639118001	RETAINER	1		
18		679075001	NUT	1	M10*1.25	
19		638557001	WASHER	8	15*6	
20		660722002	SCREW	4	M6*26	
21		528305001	DISCHARGE BAFFLE	1		
22		662294001	SCREW	6	T30,1/4-15*17	
23		661830001	SCREW	13	T30,0.25*1.25	
24		313988001	DECK	1		
25	+	941843001	LABEL	1		
26	+	940851048	LABEL	1		
27	+	941202009	LABEL	1		
28		528306001	PLUG	1		
29		528283001	GUARD	1		
30		636232001	BRACKET	2		
31		637062001	PLATE	1		
32		636095001	WASHER	8		
33		636198001	BRACKET, HANDLE	1		
34		638387002	WASHER	6	1/4 IN	
35		694467001	SPRING, COMPRESSION	1		
36		678880001	E-RING	2		
37		742150001	MOTOR	1		
38		680196006	NUT	4	M6	
39		621764001	SHAFT	1		
40		790055001	BAND	3		
41		970687-001	BAG, DUST	1		
42		661817001	SCREW	1	M4*14	
43		528362001	HANDLE	1		
44		637604002	MOUNT	1		
45		694473001	FRAME	1		

HANDLE



HANDLE

KEY NO	LV(+)	Part No	Description	Qty	Standard	Comment
1		291358002	HARNESS,WIRE	1		
2		313986001	HOUSING ASSY	1		
3	+	940851031	LABEL	1		
4		307950001	TRIGGER	1		
5		311390001	HOLDER ASY	1		
6		694218001	SPRING	1		
7		662162001	SCREW	2	M8*18	
8		694475001	SPRING	1		
9		660208104	SCREW	6	M4*30	
10		307544001	UPPER HANDLE	1		
11		528360001	WING NUT	2		
12		662104001	SCREW	2	M8*57	
13		532410-001	CLAMP	2		
14		660203-059	SCREW	2	M3*20	
15		661817001	SCREW	3	M4*14	
16		513211001	CLAMP	1		
17		311390001	HOLDER ASY	1		
18		760689007	ON/OFF SWITCH	2		
19		940851388	LABEL	1		
20		694460002	LOWER HANDLE	1		
21		673441001	SPRING PIN	2		
22		528361001	SPRING PIN	2		
23		694490001	PIN SPRING	2		
24		673323001	PIN	2		
25		694489001	SPRING	2		
26		678774012	FLANGE NUT	2	M8*1.25	
27		636668001	WASHER	2	8.5*20.5	
28		528754001	CAP	2		

NUMERICAL PARTS INDEX

Part No	Part description	Page	Part No	Part description	Page	Part No	Part description	Page
280439003	CONTROL PANEL	2	636668001	WASHER	6	694475001	SPRING	6
291358002	HARNESS,WIRE	6	636938001	ADJUSTER	4	694489001	SPRING	6
291390001	PIN SOCKET ASSY	2	637062001	PLATE	4	694490001	PIN SPRING	6
307544001	UPPER HANDLE	6	637604002	MOUNT	4	742150001	MOTOR	4
307950001	TRIGGER	6	638387002	WASHER	4	760689007	ON/OFF SWITCH	2
311387001	RIVET KIT	2	638557001	WASHER	4	760689007	ON/OFF SWITCH	6
311388001	HOUSING	2	639118001	RETAINER	4	770506002	LEAD	2
311390001	HOLDER ASY	6	639120001	AXLE	4	790055001	BAND	4
311391001	LEVER, RELEASE ASY	2	660203-059	SCREW	6	940705415	LABEL	2
313984001	MOTOR COVER	2	660203087	SCREW	2	940851031	LABEL	6
313985001	COVER,BATTERY	2	660206047	SCREW	2	940851048	LABEL	4
313986001	HOUSING ASSY	6	660208104	SCREW	6	940851386	LABEL	2
313987001	KEY ASY	2	660608002	SCREW	2	940851387	LABEL	2
313988001	DECK	4	660722002	SCREW	4	940851388	LABEL	6
330034001	WHEEL	4	660969001	SCREW	4	941202009	LABEL	4
513211001	CLAMP	2	661817001	SCREW	2	941768063	LABEL	2
513211001	CLAMP	6	661817001	SCREW	4	941843001	LABEL	4
526920001	SPACER	4	661817001	SCREW	6	970687-001	BAG,DUST	4
526921002	HOLDER	4	661830001	SCREW	4			
528282001	REAR DOOR	4	661864007	SCREW	2			
528283001	GUARD	4	662051002	SCREW	2			
528285001	LEVER, RELEASE	2	662104001	SCREW	6			
528287001	HOLDER,BATTERY	2	662162001	SCREW	6			
528290004	TERMINAL, BATTERY	2	662224001	NUT	4			
528301001	KNOB	4	662294001	SCREW	4			
528305001	DISCHARGE BAFFLE	4	664004001	SCREW	2			
528306001	PLUG	4	673323001	PIN	6			
528309001	MOTOR COVER	2	673441001	SPRING PIN	6			
528310001	MOTOR COVER	2	678774012	FLANGE NUT	4			
528360001	WING NUT	6	678774012	FLANGE NUT	6			
528361001	SPRING PIN	6	678880001	E-RING	4			
528362001	HANDLE	4	679075001	NUT	4			
528754001	CAP	6	680196006	NUT	4			
532410-001	CLAMP	6	681938-001	BLADE	4			
621762001	LATCH	2	694218001	SPRING	6			
621764001	SHAFT	4	694460002	LOWER HANDLE	6			
636095001	WASHER	4	694463001	SPRING	2			
636197001	WASHER	4	694464001	SPRING	2			
636198001	BRACKET, HANDLE	4	694467001	SPRING, COMPRESSION	4			
636232001	BRACKET	4	694468001	BRACKET, WHEEL	4			
636233001	WASHER	4	694469001	BRACKET, WHEEL	4			
			694470001	COLLAR	4			
			694473001	FRAME	4			