

**REPAIR PARTS MANUAL**  
**MODEL NO. 254161**  
**Lawn Tractor**

---

**CRAFTSMAN<sup>®</sup>**

435271

---

# HOW TO USE THIS MANUAL

This manual is designed to provide the customer with a means to identify the parts on his/her tractor when ordering repair parts. The illustrations may or may not represent the actual assemblies; therefore, it is not recommended to use this manual as a guide to assemble or disassemble the tractor. Some hardware and parts are drawn larger in order to more readily identify them.

Each tractor has its own model number.

The model number for your tractor can be found on the fender under the seat.

When ordering parts, always give the following information:

- Product - "Tractor"
- Model Number - "254161"
- Part Number
- Part Description

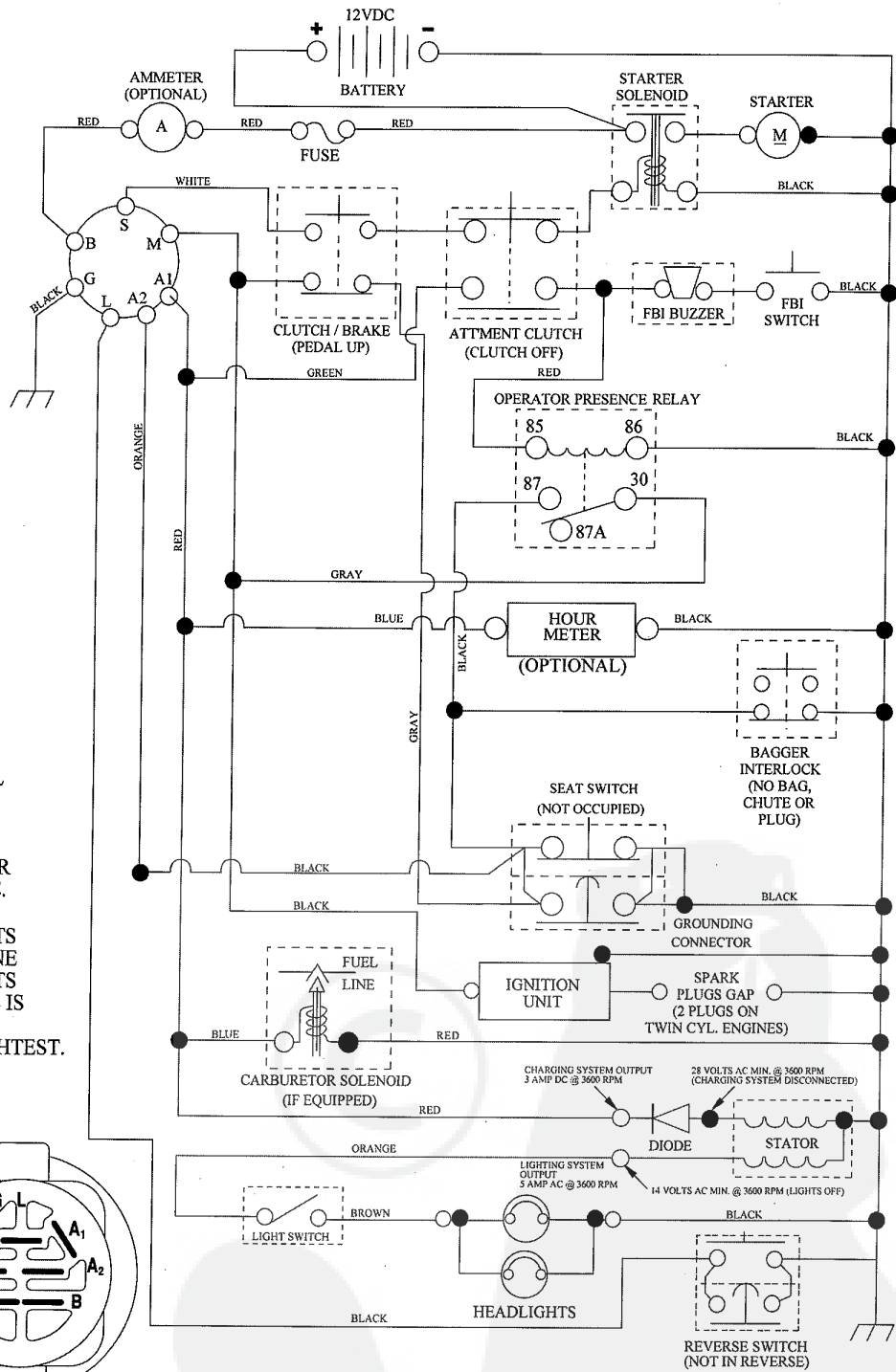
## TABLE OF CONTENTS

<b>SCHEMATIC .....</b>	<b>3</b>
<b>ELECTRICAL.....</b>	<b>4-5</b>
<b>CHASSIS .....</b>	<b>6-7</b>
<b>DRIVE.....</b>	<b>8-9</b>
<b>ENGINE.....</b>	<b>10-11</b>
<b>STEERING .....</b>	<b>12-13</b>
<b>SEAT .....</b>	<b>14</b>
<b>DECALS.....</b>	<b>15</b>
<b>MOWER DECK.....</b>	<b>16-17</b>
<b>MOWER LIFT.....</b>	<b>18</b>
<b>BAGGER.....</b>	<b>19</b>
<b>TRANSAXLE.....</b>	<b>20-21</b>
<b>ENGINE BREAKDOWN.....</b>	<b>22-27</b>
<b>WARRANTY.....</b>	<b>BACK COVER</b>

# TRACTOR- -MODEL NO. 917.254161

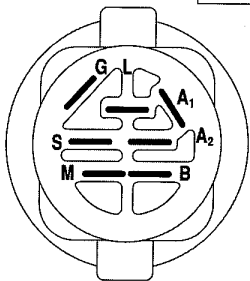
## SCHEMATIC

SCH08



### NOTE

YOUR TRACTOR IS EQUIPPED WITH A SPECIAL ALTERNATOR SYSTEM. THE LIGHTS ARE NOT CONNECTED TO THE BATTERY, BUT HAVE THEIR OWN ELECTRICAL SOURCE. BECAUSE OF THIS, THE BRIGHTNESS OF THE LIGHTS WILL CHANGE WITH ENGINE SPEED. AT IDLE THE LIGHTS WILL DIM. AS THE ENGINE IS SPEEDED UP, THE LIGHTS WILL BECOME THEIR BRIGHTEST.



IGNITION SWITCH

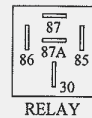
POSITION	CIRCUIT	"MAKE"
OFF	M+G+A1	
RUN/OVERRIDE	B+A1	
RUN	B+A1	L+A2
START	B + S + A1	

### WIRING INSULATED CLIPS

NOTE: IF WIRING INSULATED CLIPS WERE REMOVED FOR SERVICING OF UNIT, THEY SHOULD BE RE-INSTALLED TO PROPERLY SECURE YOUR WIRING.

REMOVABLE CONNECTIONS

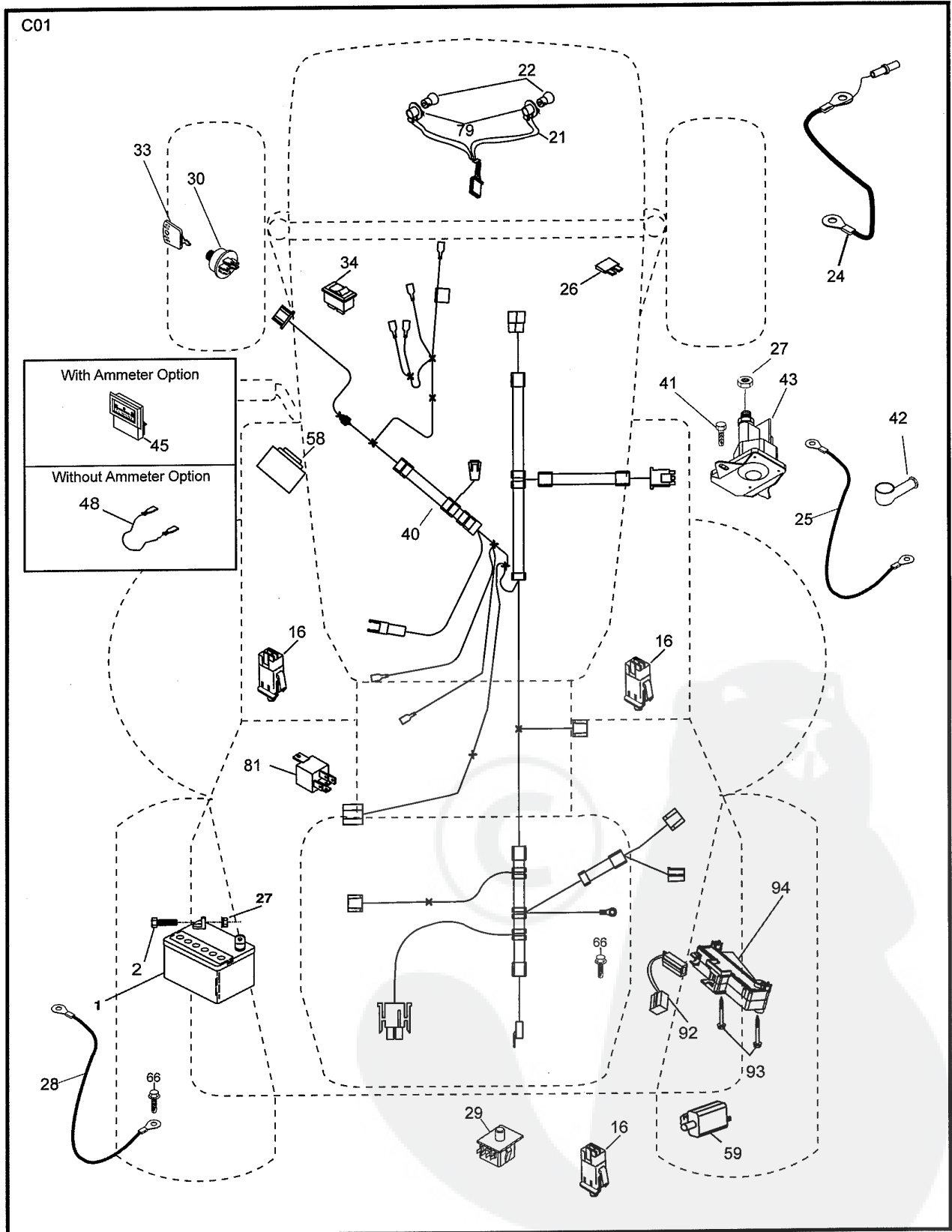
NON-REMOVABLE CONNECTIONS



RELAY

# TRACTOR- -MODEL NO. 917.254161

## ELECTRICAL



## TRACTOR- -MODEL NO. 917.254161

### ELECTRICAL

KEY NO.	PART NO.	DESCRIPTION
1	163465	Battery
2	74760412	Bolt Hex Hd 1/4-20 unc x 3/4
16	176138	Switch Interlock Push-In
21	175688	Harness Asm Light w/4152J
22	4152J	Bulb Light #1156
24	165987	Cable Battery Crd 56" Red
25	421299	Cable Starter 6 Ga. 11" Red
26	175158	Fuse
27	STD541425	Nut Keps Hex 1/4-20 unc
28	127725X	Cable Ground 6 Ga. 18" Black
29	192749	Switch Seat
30	193350	Switch Ignition
33	411934	Key/Chain
34	110712X	Switch Light
40	197436	Harness Ign
41	71110408	Bolt Flk Fin Hex 1/4-20 unc x 1/2
42	131563	Cover Terminal Red
43	192507	Solenoid
48	140844	Adapter Ammeter
58	169419	Buzzer Crd
59	180379	Switch FBI CRD
66	17490608	Screw Thdrol 3/8-16 x 1/2 Ty-Tt
79	175242	Socket Asm. Bulb Twistlock
81	109748X	Relay Asm
92	196615	Harness Pigtail
93	192540	Screw 10-14 x 2.0
94	191834	Module Reverse

**NOTE:** All component dimensions given in U.S. inches.  
1 inch = 25.4 mm.



## TRACTOR- -MODEL NO. 917.254161

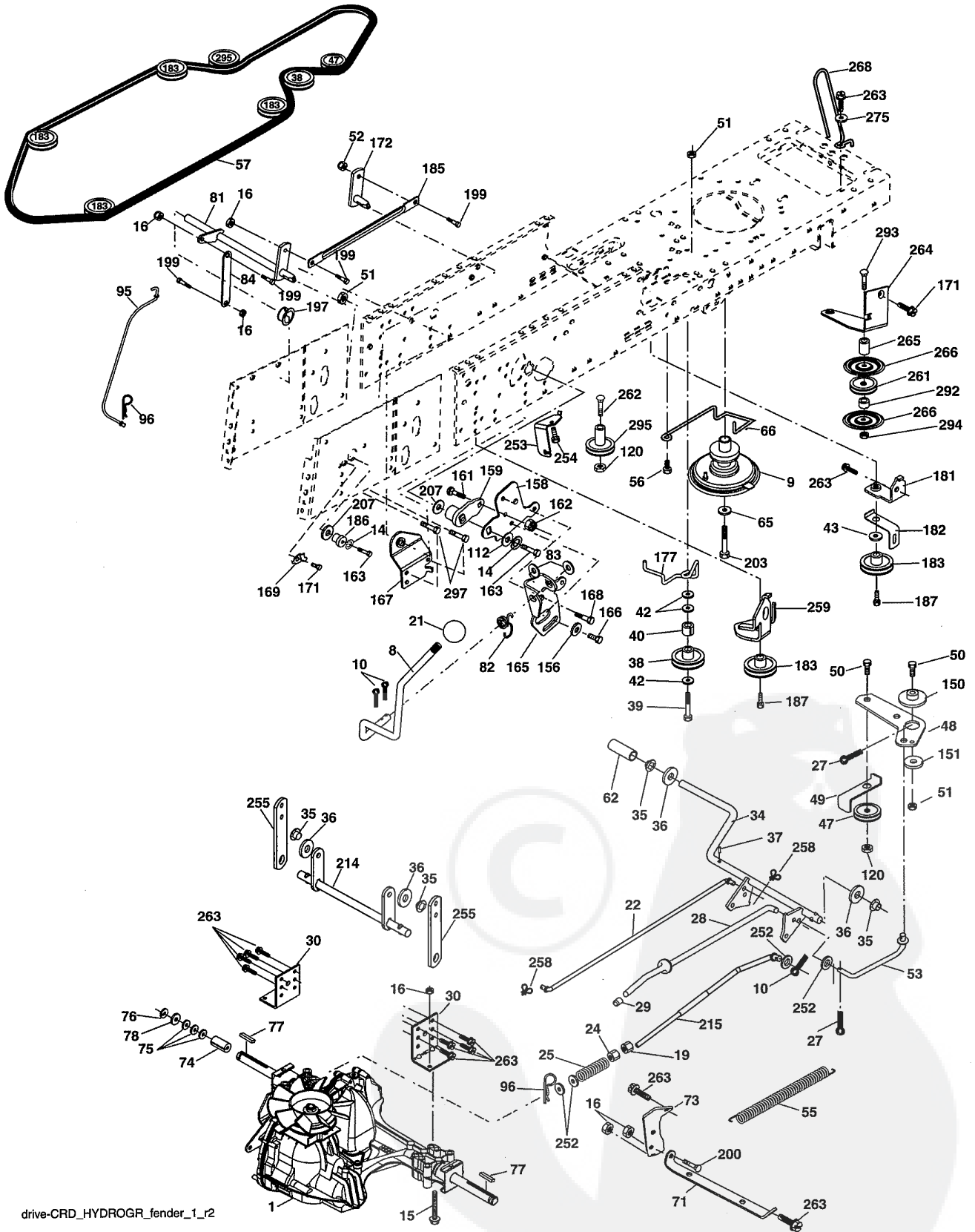
### CHASSIS AND ENCLOSURES

KEY NO.	PART NO.	DESCRIPTION	KEY NO.	PART NO.	DESCRIPTION
1	174620	Chassis Assembly	162	180382	Bracket Exten Chassis LH CRD
2	180384	Drawbar	163	180383	Bracket Exten Chassis RH CRD
3	17060612	Screw 3/8-16 x .75	164	165605	Support Battery CRD
5	155272	Bumper Hood/Dash	165	179020X428	Cover Battery CRD LT
6	184419	Saddle	170	199488	Backplate Asm CRD
8	126471X	Clip Insulator 13/32 Mtg. Hole	171	72140620	Bolt Rdhd Sqnk 3/8-16 x 2-1/2
9	193518X012	Dash Silscr	172	19132016	Washer 13/32 x 1-1/4 x 16 Ga.
10	STD533710	Bolt, Carriage 3/8-16 x 1	173	STD541437	Nut, Keps Hex 3/8-16 unc
11	174996	Panel, Dash, LH	175	188203	Door Trap
13	172105X010	Panel, Asm. Dash RH	179	188202	Rod Pivot FBI CRD
15	74180512	Screw, Machine, Truss Head 5/16-18 unc x 3/4	184	174662	Bracket Actuator Bagger CRD
16	STD541431	Nut Keps 5/16-18 unc	185	179608X505	Knob Rod Brake Parking
17	187559X613	Hood Assembly	186	160793	Latch Asm Mulch/Bagger
18	184921	Bumper Hood	187	2029J	Nut Weld .327/.304 #10-24
24	STD523710	Bolt Fin Hex 3/8-16 unc x 1. Gr. 5	188	19061216	Washer #10
25	19131312	Washer 13/32 x 13/16 x 12 Ga.	189	STD551110	Washer Lock #10
26	STD541437	Nut Lock Hex w/Ins 3/8-16 unc	190	71081010	Screw Pan Hd Phillips 10-24
28	187565X613	Grille	198	168937	Nut, Push
29	187567X599	Lens	205	17490608	Screw Thdrol 5/8-16 x 1/2
30	192533X613	Fender	207	17670508	Screw Thdrol 5/16-18 x 1/2
31	165156	Bracket, Fender Support	208	17670608	Screw Thdrol 3/8-16 x 1/2 TYT
33	179716X613	Footrest, LH	209	17000612	Screw Hex Wsh Thdrol 3/8-16
34	179717X613	Footrest, RH	212	187569	Insert Lens Reflective
35	STD533107	Bolt RDHD SHT SQNK 3/8-16 x 3/4	256	180810X428	Cover Fender Rack
37	17490508	Screw Thdrol 5/16-18 x 1/2 TYT	265	185704	Seal Side RH
38	181748	Pivot Bracket Assembly	266	185703	Seal Side LH
39	187568	Bracket Pivot	278	416358	Screw #10 x 0.750 BOS THREAD
69	142432	Screw Hex 1/4-1/2 unc	--	5479J	Plug, Button
89	192391X428	Console			
145	409167	Rod Pivot Chassis/Hood			

**NOTE:** All component dimensions given in U.S. inches.  
1 inch = 25.4 mm.

# TRACTOR--MODEL NO. 917.254161

## DRIVE



drive-CRD\_HYDROGR\_fender\_1\_r2



## TRACTOR- -MODEL NO. 917.254161

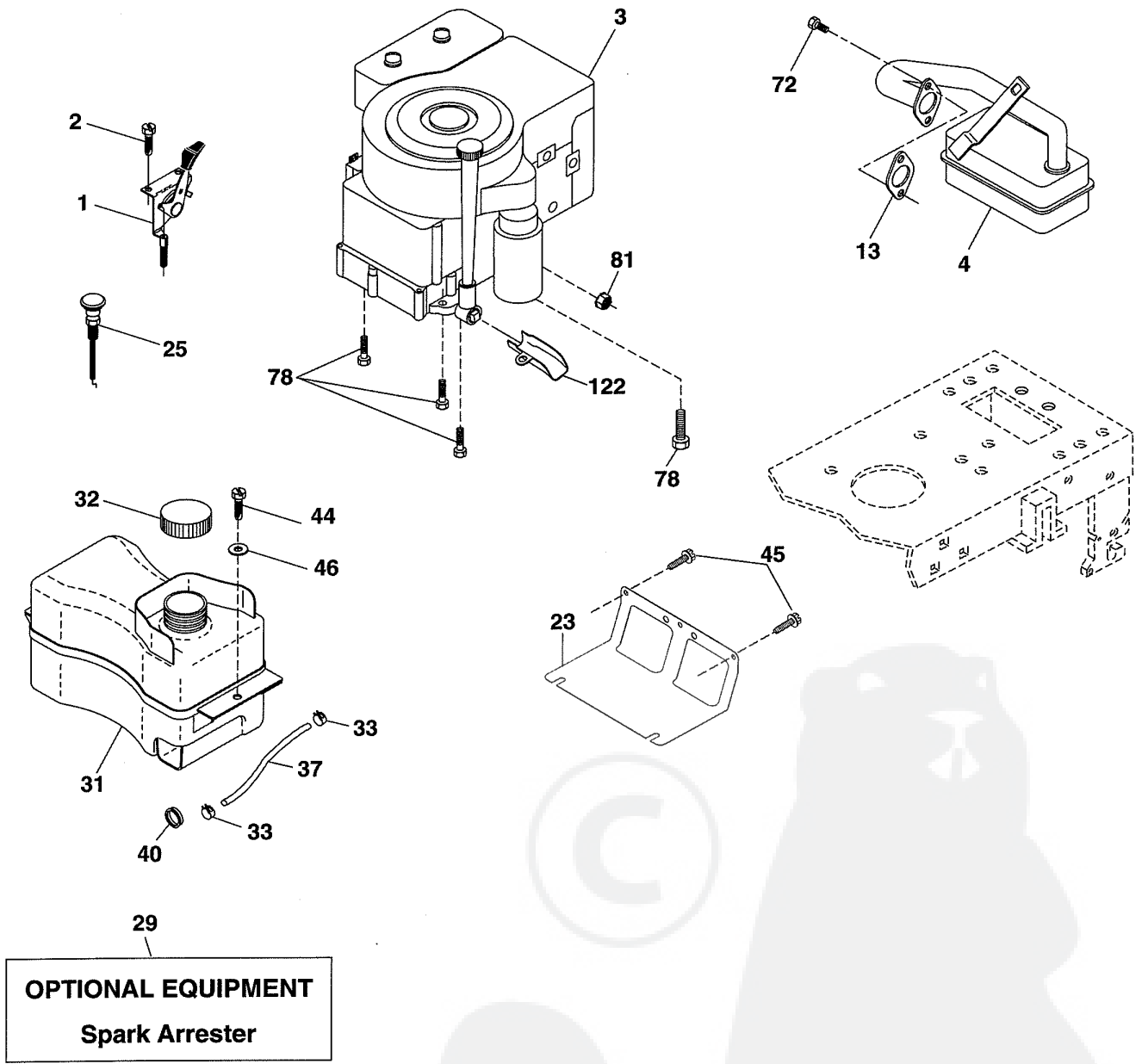
### DRIVE

KEY NO.	PART NO.	DESCRIPTION	KEY NO.	PART NO.	DESCRIPTION
1	-----	Transaxle Hydro Gear 321-0510 (See Breakdown)	120	73900600	Nut Lock Flg. 3/8-16 unc
8	192706	Rod, Shift	150	165850	Bushing, Bellcrank Grnd Dr.
9	408579	Clutch	151	19133210	Washer 13/32 x 2 x 10 Ga.
10	76020416	Pin, Cotter 1/8 x 1	156	166002	Washer Srrted 5/16 ID x 1.125
14	10040400	Washer, Lock Hvy Helical	158	165589	Bracket Shift Mount
15	74490544	Bolt Hex FGHD 5/16-18 x Gr. 5	159	183900	Hub Shift
16	73800500	Nut, Lock Hex w/Ins 5/16-18 unc	161	72140406	Bolt Rdhd Sqnk 1/4-20 x 3/4 Gr. 5
19	73800600	Nut, Lock Hex w/Ins. 3/8-16	162	73680400	Nut Crownlock 1/4-20 unc
21	106933X	Knob	163	74780416	Bolt Hex Fin 1/4-20 unc x 1 Gr. 5
22	175607	Rod, Brake	165	165623	Bracket Pivot Lever
24	73350600	Nut	166	17490510	Screw 5/16-18 x 5/8
25	192036	Spring, Rod, Brake	167	165588	Bracket Support Shift CRD
27	76020412	Pin, Cotter 1/8 x 3/4	168	165492	Bolt Shoulder 5/16-18 x .561
28	175765	Rod, Parking Brake	169	165580	Plate Fastening Lt
29	71673	Cap, Parking Brake	171	17490608	Screw Thdrol 3/8-16 x 1/2 Ty-Tt
30	169592	Bracket, Mfg. Transaxle	172	170271	Shaft Asm Shifter Frt CRD
34	175578	Shaft, Asm Pedal Foot CRD	177	165932	Keeper Flat Idler 3.06" CRD
35	120183X	Bearing, Nylon	181	180211	Bracket Idler Ground Drive CRD
36	19211616	Washer 21/32 x 1 x 16 Ga.	182	182682	Keeper Belt 2.5" Od V-Idler CRD
37	1572H	Pin, Roll 3/16 x 1"	183	199534	Pulley V-Idler
38	165936	Pulley Flat Composite 3.06"	185	170008	Link Shift
39	74760644	Bolt Fin Hex 3/8-16 unc x 2-3/4	186	165614	Hub Tapered Round CRD
40	4470J	Spacer, Split 395 x 59 Bzp	187	17580520	Screw Thdrol 5/16-18 x 1.25
42	19131312	Washer 13/32 x 13/16 x 12 Ga.	197	169613	Nyliner Snap-In 5/8
43	19111012	Washer 11/32 x 5/8 x 12 Ga.	199	169612	Bolt Shoulder 5/16-18 unc
47	127783	Pulley, Idler, V Groove Plastic	200	72140508	Bolt RDHD SQNK 5/16-18 x 1
48	154407	Bellcrank Clutch Grnd Drv	203	71170780	Bolt Hex 7/16-20 x 5
49	123205X	Retainer, Belt Style Spring	207	169845	Washer Nylon Rear
50	72110612	Bolt, Carr. 3/8-16 x 1/2 x Gr. 5	214	175609	Shaft Asm. Brake
51	73680600	Nut, Crownlock 3/8-16 unc	215	175652	Rod Brake Hydro
52	73680500	Nut, Crownlock 5/16-18	252	19131616	Washer 13/32 x 1 x 16 Ga.
53	199652	Link, Clutch 7.66	253	175028	Bracket, Cable
55	105709X	Spring, Return, Clutch	254	17000616	Screw 3/8-16 x 1
56	17060620	Screw 3/8-16 x 1-1/4	255	175608	Brace Shaft Brake Mtg.
57	170140	V-Belt Kev 112" 0650 CRD	258	178062	Clip Retainer
62	8883R	Cover, Pedal	259	180212	Bracket Pulley
65	10040700	Washer	261	131494	Pulley Idler Flat
66	154778	Keeper, Belt Engine F-Proof	262	72110622	Bolt Rdhd 3/8-16 unc x 2-3/4 Gr. 5
71	169183	Strap, Torque, LH	263	17000612	Screw 3/8-16 x 3/4
73	169182	Strap, Torque, RH	264	431174	Bracket Idler
74	137057	Spacer, Split	265	426913	Spacer, Idler
75	121749X	Washer 25/32 x 1-1/4 x 16 Ga.	266	182061	Shield, Idler
76	12000001	Ring, E	268	182402	Guard Muffler
77	123583X	Key, Square	275	19131614	Washer 13/32 x 1 x 14 Ga.
78	121748X	Washer 25/32 x 1-5/8 x 16 Ga.	292	400271	Spacer
81	170006	Asm, Shaft	293	72140628	Bolt 3/8-16 x 3-1/2
82	165711	Spring, Torsion	294	197033	Nut Jam 3/8-16
83	19171216	Washer 17/32 x 3/4 x 16 Ga.	295	179114	Pulley Idler Composite
84	170007	Link, Transaxle	297	17490610	Screw HXWSH THDR 3/8-16 x 5/8
95	170015	Control Asm Bypass Hydro			
96	4497H	Spring, Retainer 1"			
112	19091210	Washer 9/32 x 3/4 x 10 Ga.			

**NOTE:** All component dimensions given in U.S. inches  
1 inch = 25.4 mm

TRACTOR- -MODEL NO. 917.254161

ENGINE



**OPTIONAL EQUIPMENT**  
**Spark Arrester**

engine-CRD\_bs\_19

## TRACTOR- -MODEL NO. 917.254161

### ENGINE

KEY NO.	PART NO.	DESCRIPTION
1	170545	Control Throttle
2	17720408	Screw Hex Thd Cut 1/4-20 x 1/2
3	-----	Engine Briggs Model 31A607-1392-B1
4	137352	Muffler Exhaust B&S Lt
13	165291	Gasket 1 313 Id Tin Plated
23	169837	Shield Browning/Debris Guard
25	187770X428	Control Choke
29	137180	Arrester Spark
31	407516	Tank Fuel
32	430220	Cap Asm Fuel
33	123487X	Clamp Hose Blk
37	137040	Line Fuel 20"
40	124028X	Bushing Snap
44	17670412	Screw Hexwsh Thdrol 1/4-20 x 3/4
45	17000612	Screw Hexwsh Thdr 3/8-16 x 3/4
46	19091416	Washer 9/32 x 7/8 x 16 Ga.
72	192334	Screw Socket 5/16-18 x 3/4
78	17060620	Screw 3/8-16 x 1-1/4
81	STD541425	Nut Keps 1/4-20 unc
122	421922	Extension Drain Oil

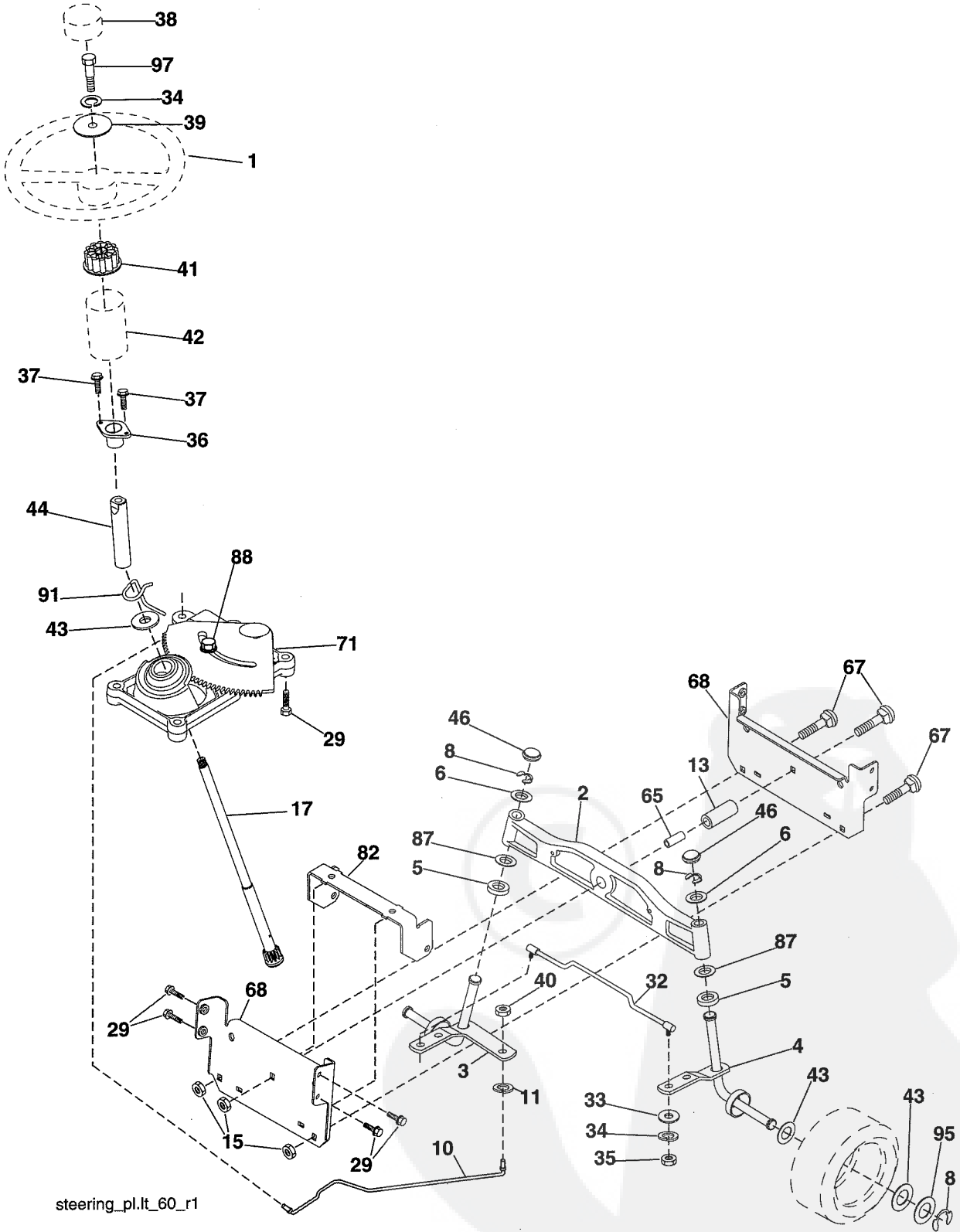
**NOTE:** All component dimensions given in U.S. inches  
1 inch = 25.4 mm

### Engine Power Rating Information

The gross power rating for individual gas engine models is labeled in accordance with SAE (Society of Automotive Engineers) code J1940 (Small Engine Power & Torque Rating Procedure), and rating performance has been obtained and corrected in accordance with SAE J1995 (Revision 2002-05). Torque values are derived at 3060 RPM; horsepower values are derived at 3600 RPM. Actual gross engine power will be lower and is affected by, among other things, ambient operating conditions and engine-to-engine variability. Given both the wide array of products on which engines are placed and the variety of environmental issues applicable to operating the equipment, the gas engine will not develop the rated gross power when used in a given piece of power equipment (actual "on-site" or net power). This difference is due to a variety of factors including, but not limited to, accessories (air cleaner, exhaust, charging, cooling, carburetor, fuel pump, etc.), application limitations, ambient operating conditions (temperature, humidity, altitude), and engine-to-engine variability. Due to manufacturing and capacity limitations, Briggs & Stratton may substitute an engine of higher rated power for this Series engine.

# TRACTOR- -MODEL NO. 917.254161

## STEERING ASSEMBLY



## TRACTOR- -MODEL NO. 917.254161

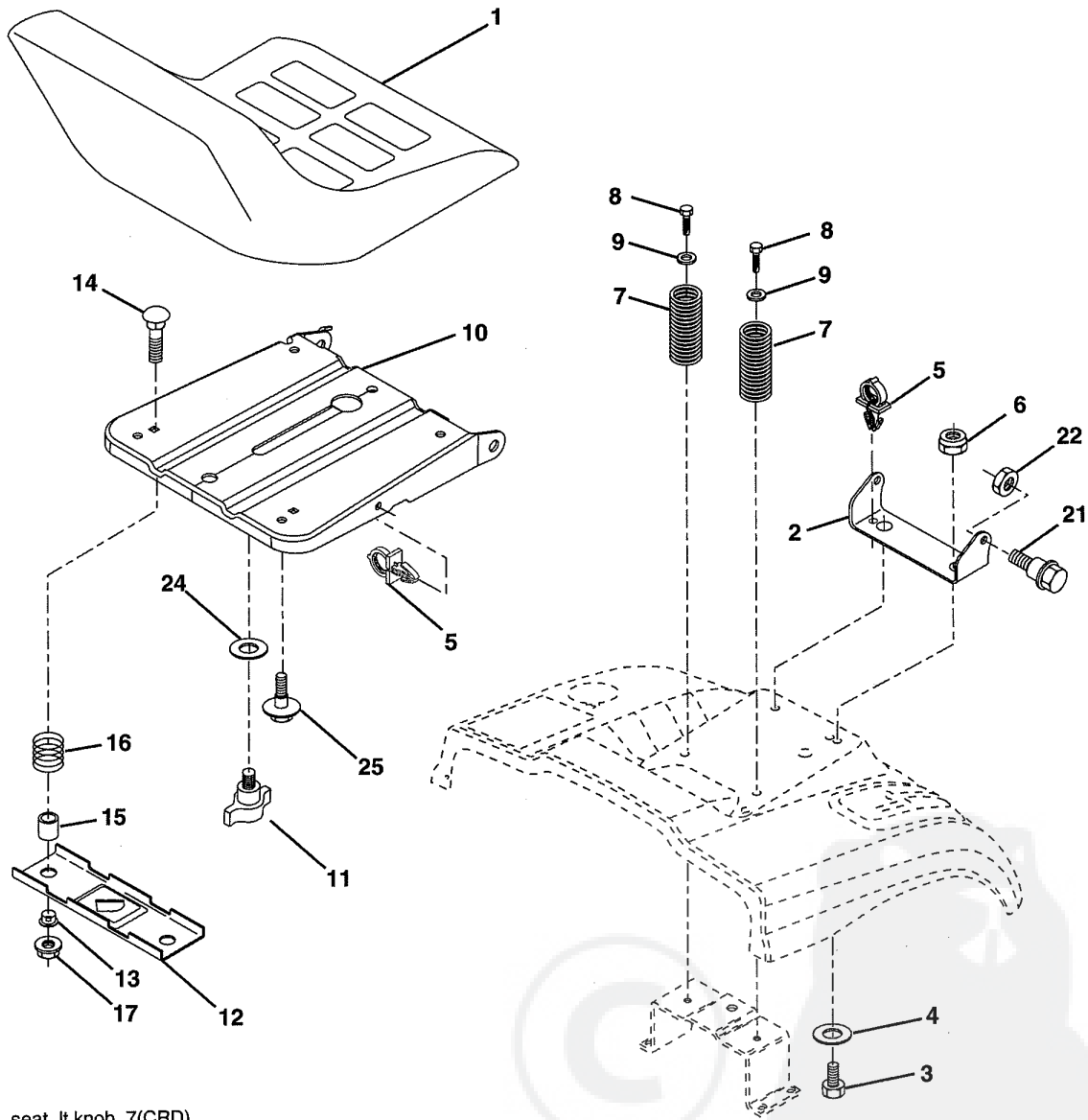
### STEERING ASSEMBLY

KEY NO.	PART NO.	DESCRIPTION
1	186780	Steering Wheel
2	184706	Front Axle Assembly
3	169840	Spindle Assembly, LH
4	169839	Spindle Assembly, RH
5	6266H	Bearing, Race, Thrust, Hardened
6	121748X	Washer 25/32 x 1-5/8 x 16 Ga.
8	12000029	Ring, Clip
10	175121	Link, Drag
11	STD551137	Washer, Lock
13	136518	Spacer Axle
15	73900600	Nut, Lock Flg. 3/8-16 unc
17	190753	Shaft Assembly, Steering
29	17000612	Screw, 3/8-16 x 3/4 SMGML Tap/R
32	170162	Rod, Tie
33	19111216	Washer 11/32 x 3/4 x 16 Ga.
34	STD551131	Washer Lock Hvy Hlcl Spr 5/16
35	73540500	Nut Crownlock 5/16-24 unf
36	155099	Bushing, Steering
37	152927	Screw TT #10-32 x 5 x 3/8 Flange
38	186781	Cap Wheel Steering
39	19113812	Washer 11/32 ID x 2-3/8 OD x 12 Ga.
40	73540600	Nut Crownlock 3/8-24
41	186737	Adaptor, Steering Wheel
42	145054X428	Boot, Steering Dash
43	121749X	Washer 25/32 x 1-1/4 x 16 Ga.
44	190752	Extension Steering Non-Adjust
46	184946X505	Cap, Spindle
65	414736	Spacer Brace Axle
67	72110618	Bolt RDHD SQ 3/8-16 x 2-1/4
68	169827	Brace Axle
71	175146	Steering Asm.
82	199978	Bracket Susp Chassis Front
87	173966	Washer Flat .781 x 1-1/2 x .14
88	175118	Bolt Shoulder
91	175553	Clip Steering
95	188967	Washer Harden .739 x 1.637 x 060
97	428982	Bolt Fin Hex 5/16-18 x 4 w/Patch

**NOTE:** All component dimensions given in U.S. inches.  
1 inch = 25.4 mm.

# TRACTOR--MODEL NO. 917.254161

## SEAT ASSEMBLY



seat\_lt.knob\_7(CRD)

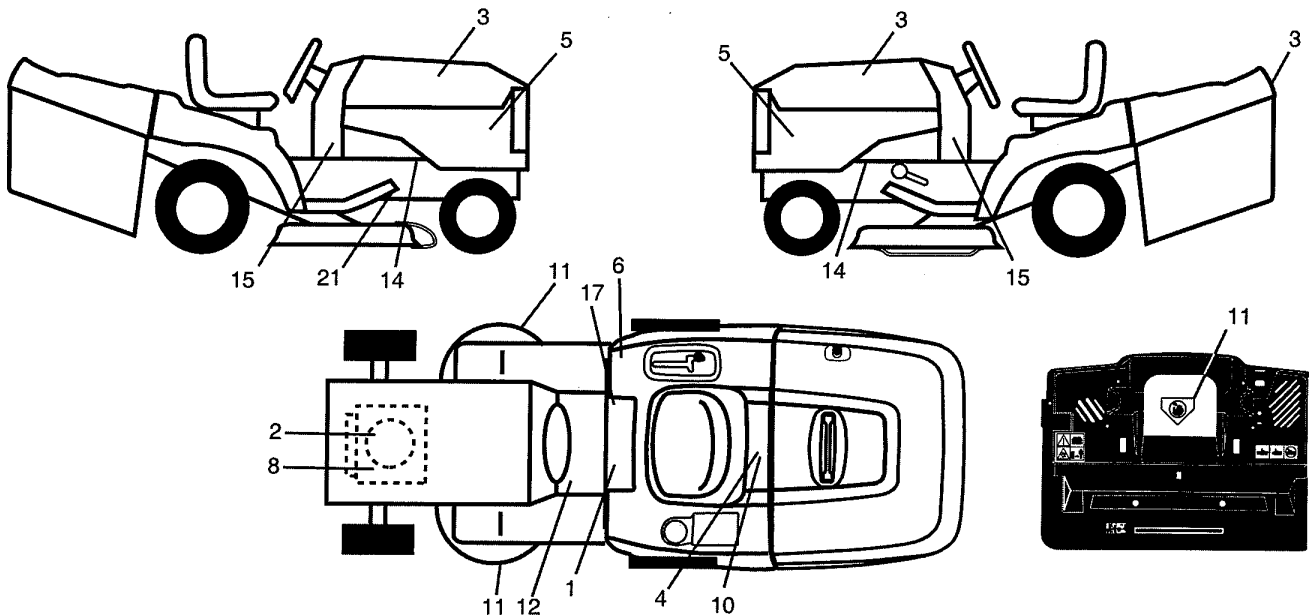
KEY NO.	PART NO.	DESCRIPTION
1	188939	Seat
2	140551	Bracket Pnt Pivot Seat (Blk)
3	71110616	Bolt Fin Hex 3/8-16 unc x 1
4	19131610	Washer Flat 13/32 x 1 x 10 Ga.
5	145006	Clip Push In Hinged
6	STD541437	Nut Lock Hex 3/8-16 unc
7	124181X	Spring Seat Cprsn 2 250 Blk Zi
8	17000616	Screw 3/8-16 x 1
9	19131614	Washer 13/32 x 1 x 14 Ga.
10	195530	Pan Pnt Seat
11	166369	Knob Seat Adj Wingnut
12	174648	Bracket Pnt Mounting Switch

KEY NO.	PART NO.	DESCRIPTION
13	121248X	Bushing Snap Blk Nyl 50 Id
14	72050412	Bolt Rdhd Sht Nk 1/4-20 x 1-1/2
15	134300	Spacer Split .28 x .96 Zinc
16	121250X	Spring Cprsn
17	123976X	Nut Lock 1/4 Lge Flg Gr. 5 Zinc
21	171852	Bolt Shoulder 5/16-18 unc-2A
22	STD541431	Nut Hex Lock w/Ins 5/16-18
24	19171912	Washer 17/32 x 1-3/16 x 12 Ga.
25	127018X	Bolt Shoulder 5/16-18 x .62

**NOTE:** All component dimensions given in U.S. inches.  
1 inch = 25.4 mm

## TRACTOR- -MODEL NO. 917.254161

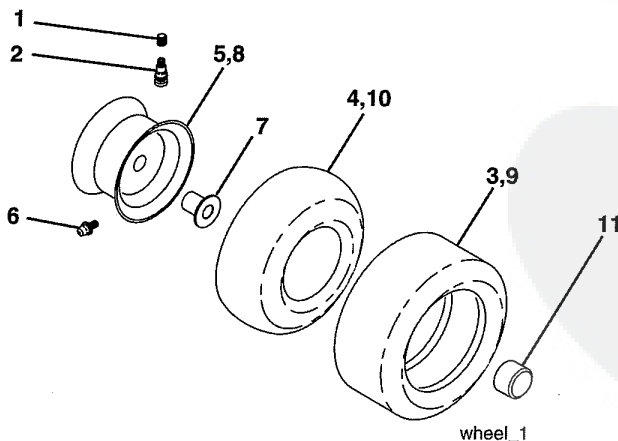
### DECALS



KEY NO.	PART NO.	DESCRIPTION
1	400389	Decal, Read Owner's Manual Sym
2	431095	Decal, Hp Engine
3	425123	Decal, Hood
4	166960	Decal, Bypass
5	426989	Decal, Hood Side
6	180432	Decal, 100 DB/CE
8	196841	Decal, Engine Warning Sym
10	145005	Decal, Bat Dan/Poi P/L Sym Wpn
11	182166	Decal, Mower Cut Finger Symbol
12	159737	Decal, Brake/Clutch Symbol Lt
14	159736	Decal, Chassis Hot Muffler

KEY NO.	PART NO.	DESCRIPTION
15	426962	Decal, Dash Lower
17	140837	Decal, Saddle Brake Parking
21	166286	Decal, Deck Sch 92 CRD
--	138311	Decal, Lift Handle
--	179768X428	Pad, Footrest LH
--	179769X428	Pad, Footrest RH
--	435267	Manual Operator's (Euro)
--	435268	Manual Operator's (Scan)
--	435269	Manual Operator's (E-Bloc)
--	435270	Manual Operator's (Baltic)
--	435271	Manual Parts

### WHEELS & TIRES

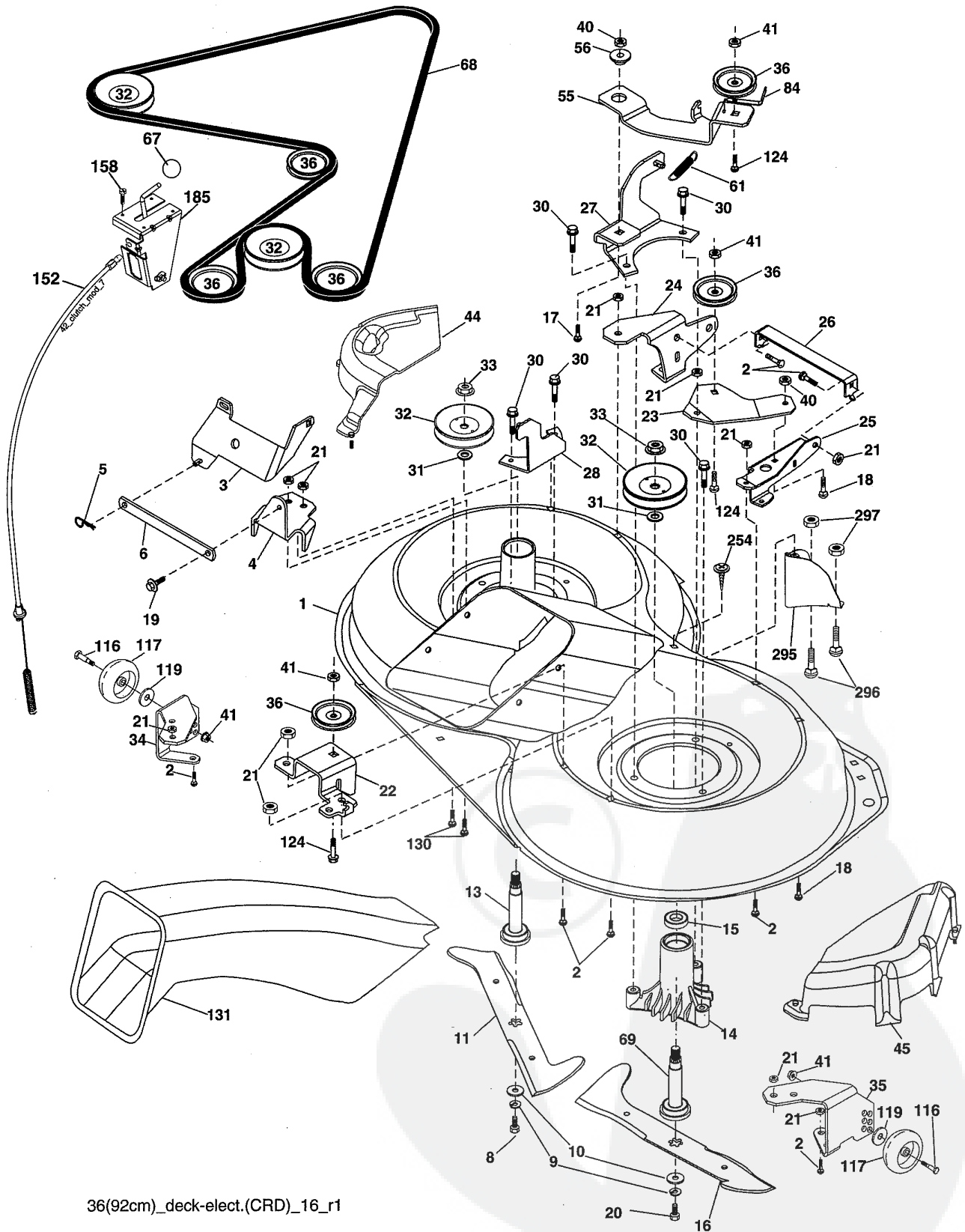


KEY NO.	PART NO.	DESCRIPTION
1	59192	Cap Valve Tire
2	65139	Stem Valve
3	106222X	Tire F Ts 15 x 6.0 - 6 Service
4	59904	Tube Inner Front #35060
5	106732X613	Rim Asm 6" Front Service
6	278H	Fitting Grease
7	9040H	Bearing Flange
8	106108X613	Rim Asm 8" Rear Service
9	138468	Tire R Ts 20 x 8-8 Service
10	7152J	Tube Rear 9.5 x 8 Service
11	104757X428	Cap Axle Blk 1 50 x 1 00
--	144334	Sealant, Tire (10 oz. tube)

**NOTE:** All component dimensions given in U.S. inches  
1 inch = 25.4 mm

TRACTOR- -MODEL NO. 917.254161

MOWER



36(92cm)\_deck-elect.(CRD)\_16\_r1



## TRACTOR- -MODEL NO. 917.254161

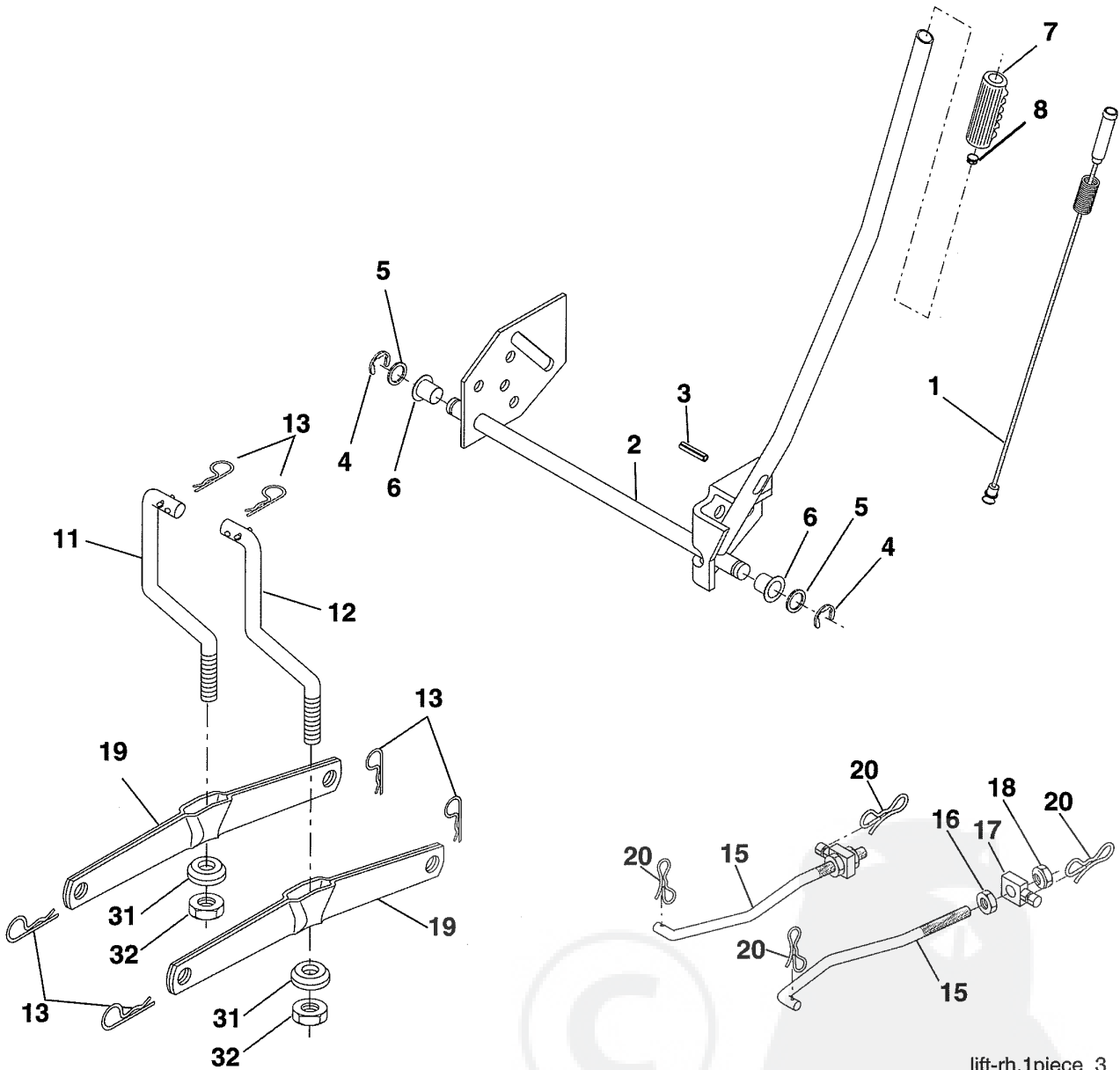
### MOWER

KEY NO.	PART NO.	DESCRIPTION	KEY NO.	PART NO.	DESCRIPTION
1	400108	Housing Asm. Mower 92 CRD	41	73900600	Nutlock Flg 3/8-16 unc
2	STD533107	Bolt Rdhd Sqnk 5/16-18 unc x 3/4	44	432797	Cover Mandrel LH 92 CRD asm.
3	431864	Bracket Asm. S-Bar Chass 92 CRD	45	432796	Cover Mandrel RH 92 CRD asm.
4	165558	Bracket Bar Sway Deck 92 CRD	55	199498	Arm Idler 92 CRD
5	4939M	Retainer Spring	56	165723	Spacer Retainer Mower
6	165557	Bar Sway 92 CRD	61	199486	Spring Tension Belt
8	181712	Bolt 3/8-24 x 1.25 Gr. 8 Patched	67	106932X	Knob Rd 3/8-16 Plstdc Thds Blk
9	STD551137	Washer Lock Hvy 3/8 Unplated	68	402008	Belt 92 Mower
10	140296	Washer, Hard	69	165482	Shaft Asm w/Lwr Brg RH Thd CRD
11	186385	Blade 92 CRD	84	156085	Keeper Belt Idler
13	137645	Shaft Asm. w/Lower Bearing	116	193406	Bolt Shoulder
14	128774	Housing Mandrel Vented (Machd)	117	174873	Wheel Gauge
15	110485X	Bearing Ball Mandrel	119	19132012	Washer 13/32 x 1-1/4 x 12 Ga.
16	186386	Blade 3-1 Rh 92 CRD	124	72110612	Bolt Carr Sh 3/8-16 x 1-1/2 Gr. 5
17	STD533712	Bolt Carriage 3/8-16 x 1-1/4	130	STD533107	Bolt Rdhdsqnk 5/16-18 unc x 3/4
18	STD533707	Bolt Rdhd Sqnk 3/8-16 x 3/4	131	165661	Chute Bagger CRD 92 cm
19	132827	Bolt Shoulder 5/16-18 Thd Form	152	176074	Cable Clutch CRD Service
20	181713	Bolt 3/8-24 x 1.25 Gr. 8 Ptch Lhthd	158	17720408	Screw Thd Cut 1/4-20 x 1/2
21	STD541431	Nut Crown Lock 5/16-18	185	188234	Head Asm Cable Clutch
22	431169	Bracket Idler Sprt RR 92 CRD	254	17000616	Screw 3/8-16 x 1
23	165446	Bracket Idler Sprt RF 92 CRD	295	412171	Baffle Front
24	165242	Bracket Suspension LF 92 CRD	296	72140406	Bolt RDHD SQNK 1/4-20 x 3/4 Gr. 5
25	165244	Bracket Suspension RF 92 CRD	297	73930400	Nut Centerlock 1/4-20 unc
26	400110	Brace Support Susp Frt CRD	--	181857	Mandrel Asm Service (Includes Housing, Shaft and Shaft Hardware Only - Pulley Not Included)
27	165568	Bracket Asm. Susp RR 92 CRD	--	181858	Mandrel Asm CRD LH Threads SVC
28	165567	Bracket Asm. Susp LR 92 CRD	--	413711	Replacement Mower Complete (Order separately gauge wheel components key nos. 116-119)
30	173984	Screw Thd Rolling Washer Head			
31	187690	Washer Spacer			
32	153532	Mandrel Pulleys 38			
33	400234	Nut Flg Top Lock			
34	400107	Bracket Gauge Wheel Lf 92 CRD			
35	400106	Bracket Gauge Wheel Rf 92 CRD			
36	146763	Pulley Idler V-Groove Dim 4.25			
40	STD541437	Nut Crownlock 3/8-16 unc			

**NOTE:** All component dimensions given in U.S. inches  
1 inch = 25.4 mm

# TRACTOR- -MODEL NO. 917.254161

## MOWER LIFT



lift-rh.1piece\_3

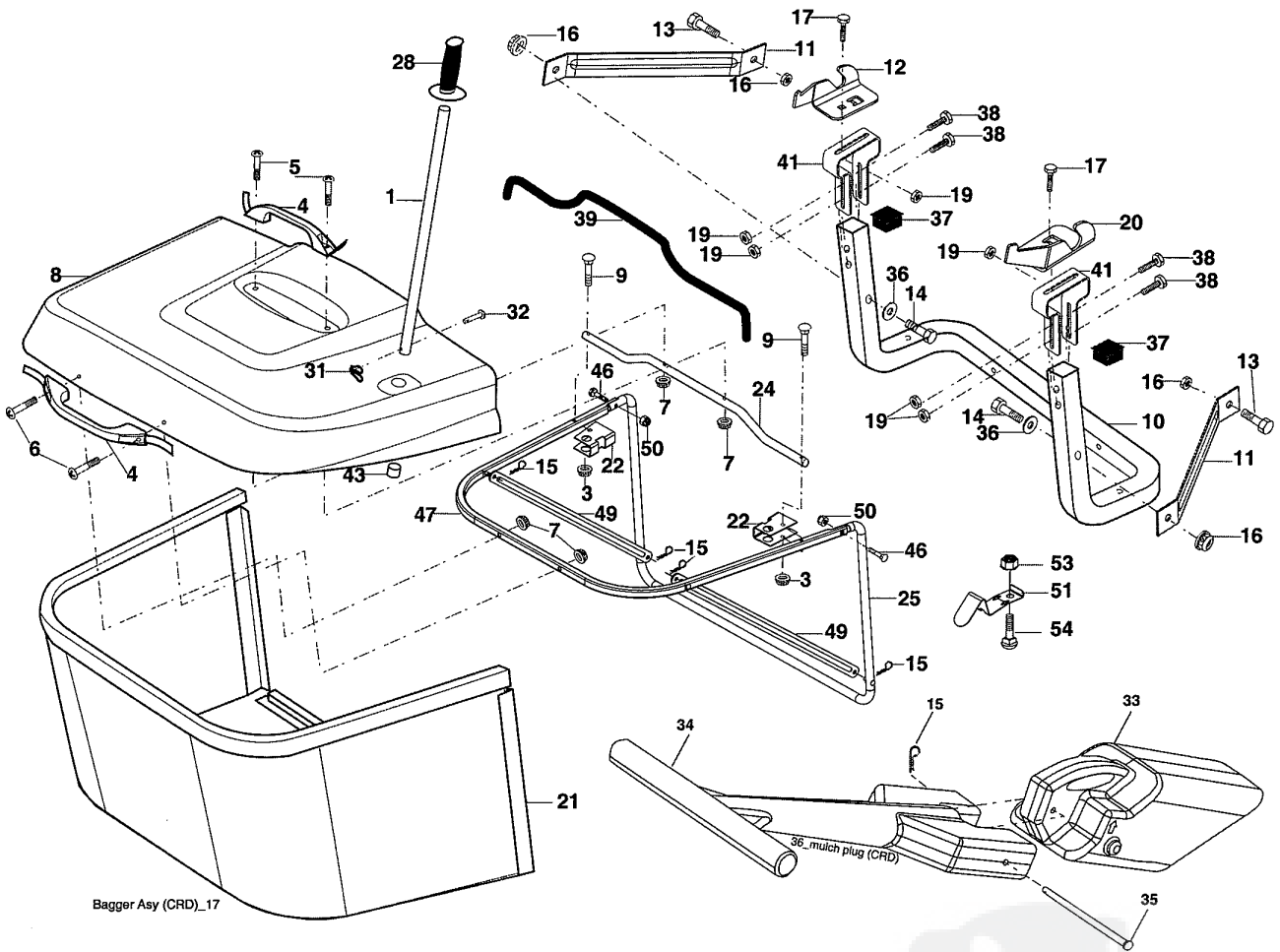
KEY NO.	PART NO.	DESCRIPTION
1	404981	Plunger Asm. Lift LVR
2	159471	Shaft Asm. Lift
3	105767X	Pin Groove
4	12000002	E Ring #5133-62
5	19211621	Washer 21/32 x 1 x 21 Ga.
6	120183X	Bearing Nylon
7	125631X	Grip Handle
8	124526X	Button Plunger
11	165829	Link Asm Lift LH
12	165831	Link Asm Lift RH
13	STD624008	Retainer Spring

KEY NO.	PART NO.	DESCRIPTION
15	173288	Link Front
16	73350800	Nut Jam Hex 1/2-13 unc
17	175689	Trunnion Blk Zinc
18	73800800	Nut Lock w/Wsh 1/2-13 unc
19	139868	Arm Suspension Mower
20	194209	Pin Cotter Bow Tie Lock
31	169865	Bearing, Pvt. Lift.
32	73540600	Nut Crownlock 3/8-24

**NOTE:** All component dimensions given in U.S. inches  
1 inch = 25.4 mm

# TRACTOR- -MODEL NO. 917.254161

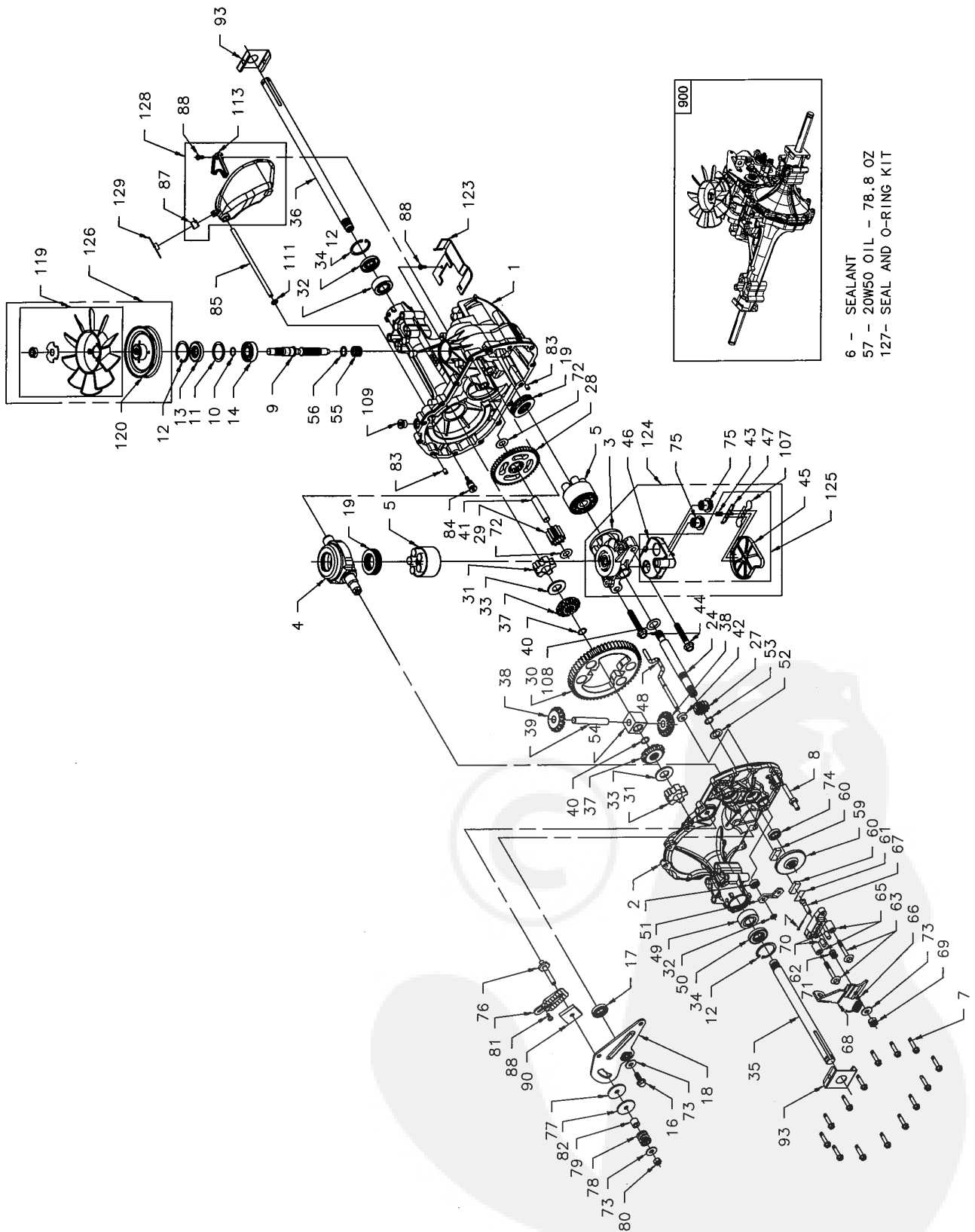
## BAGGER



KEY NO.	PART NO.	DESCRIPTION	KEY NO.	PART NO.	DESCRIPTION
1	428610	Tube Handle Bagger CRD	31	169484	Retainer Clip
3	123976X	Nut Lock 1/4 Lge Flg Gr. 5 Zinc	32	126875X	Rivet Rd Hd Drilled 3/8 Dia
4	169916	Handle Bagger	33	428682	Plug Mulcher
5	74981024	Screw Pan Head #10-24 x 1.50 Blk	34	165570	Handle Mulcher
6	74981032	Screw Pan Hd	35	165572	Pin Mulcher
7	73401000	Nut Wiz Lock Hex Serr/Hd 10-24	36	19132012	Washer 13/32 x 1-1/4 x 12 Ga.
8	169963X613	Cover Bagger Steel CRD	37	175401	Plug Support Bagger CRD
9	72140418	Bolt Carriage 1/4-20 x 2.25d x Gr. 5	38	72010520	Bolt 5/16-18 x 5.20
10	181282	Tube Support Bagger CRD	39	416257	Seal Bagger
11	165719	Bracket Support Upper Bag CRD	41	432755	Bracket Vert Adj Bagger CRD
12	188848	Bracket Pivot Bagger LH CRD	43	174083	Plug Tubing End
13	74760612	Bolt Hex 3/8-16 unc x 3/4	46	72110510	Bolt Carr 5/16-18 x 1-1/4 Gr. 5
14	74520636	Bolt Fin Hex 3/8-16 x 2-1/4 Gr. 5	47	193704	Tube Upper
15	4939M	Retainer Spring	49	193305	Bar Spreader
16	73900600	Nut Lock Flg 3/8-16 unc	50	73800500	Nut Lock Hx w/Ins 5/16-18 unc
17	STD533107	Bolt Rdhd Sht Sqnk 5/16-18 unc x 3/4	51	199903	Latch Spring
19	73900500	Nut Lock Hex Flange 5/16-18	53	73510400	Nut Keps Hex 1/4-20 unc
20	188847	Bracket Bagger RH CRD	54	72140406	Bolt RDHD SQNK 1/4-20 x 3/4 Gr. 5
21	406180	Bag Asm CRD			
22	428236	Bracket Side Bagger CRD			
24	165783	Tube Pivot Bagger CRD			
25	193705	Tube Front Bagger CRD			
28	165787	Grip Handle Black			

**NOTE:** All component dimensions given in U.S. inches  
1 inch = 25.4 mm

**TRACTOR- -MODEL NO. 917.254161**  
**HYDRO TRANSAXLE - MODEL NUMBER 321-0510**



- 6 - SEALANT
- 57 - 20W50 OIL - 78.8 OZ
- 127 - SEAL AND O-RING KIT

**TRACTOR- -MODEL NO. 917.254161**  
**HYDRO TRANSAXLE - MODEL NUMBER 321-0510**

KEY NO.	PART NO.	DESCRIPTION	KEY NO.	PART NO.	DESCRIPTION
1	170351	Kit, Main Housing	67	170413	Bolt, Square Head - Brake
		Main Housing, Machined	68	178157	Arm, Brake
		Bushing .855 X .985 X .790	69	170415	Nut, Castle 5/16-24
2	170352	Kit, Side Housing	70	170416	Pin, Cotter 3/32x3/4
		Side Housing, Machined	71	170417	Brake Spring
		Bushing .865 X .985 X .790	72	170418	Washer (310-0750)
		Bushing .624 X .719 X .562	73	142884	Washer, Flat
3	170353	Kit, Center Section	74	170419	Seal, Oil
		Center Section, Machined	75	170420	Ass'y Check Plug
		Bushing .707 X .788 X .591	76	170421	Bolt, Stud 5/16-24
4	170354	Swashplate, Trunnion Machined	77	170422	Puck, Friction
5	169898	Kit, Cylinder Block (10cc)	78	142969	Spring
		Block - Cylinder	79	142980	Spacer
		Piston	80	150778	Nut, Nylon Insert Hex Lock 5/16-24
		Spring, Compression	81	170423	Wedge, Friction
		Washer - Thrust	82	170424	Clip, Washer
6	178322	Sealant Tube	83	161168	Pin
7	170356	Hexflange Screw 1/4-20 X 1.25	84	170425	Fitting, 5/16 X Sae 5/32 Tube
8	170357	Stud, 5/16-24 Hex Double End	85	170426	Hose, Expansion Tank
9	170358	Shaft, Input	87	173160	Cap, Vent
10	170359	Retaining Ring	88	178334	Bolt, Self Tapping (BDR)
11	170360	Spacer	90	170430	Puck, Inner Wedge
12	169870	Retaining Ring	91	170431	Spring Clip, Housing
13	170361	Seal, Lip .67 X 1.58 X .276	107	170432	Deflector
14	173158	Bearing, Ball 6203 (Bdr)	108	170433	Washer, Motor Shaft .71id X 1.15od X .03 Thick
16	170362	Hex Flange Head Screw 1/4-20 X 1.25	109	170434	Plug, Straight Thread 9/16-18
17	170363	Seal, Lip 18 X 32 X 7	111	170435	O-ring .7 X .301 Id
18	170364	Arm, Control	113	170437	Bracket, Support Expansion Tank
19	173159	Bearing, Thrust (10cc)	119	191031	Kit, Fan - Washer - Nut
24	170366	Shaft Motor			Washer, Od Slotted .53 X 1.63 X .06
27	170367	Gear, Pinion, 13t			Hex Lock Nut 1/2-20 (Nylon Insert)
28	170368	10t / 48t Gear			Fan 7"
29	170369	Gear, 10t Jackshaft	120	178159	Pulley
30	170370	60t Bullgear	123	178160	Bracket, Belt Keeper
31	170371	Sleeve Bearing .75 X 1.75 X .625	124	191033	Kit, Centersection, Filter Bypass
32	170389	Sleeve Bearing (Outboard) .75 X 1.575 X .625			Center Section Machining
33	142991	Washer			Base Filter W/ Poppet
34	170390	Lip Seal, Axle Shaft			Check Plug Assembly, .027 Washer
35	170391	Shaft, Axle (Keyed, R.h.)			Spring, Bypass
36	170392	Shaft, Axle (Keyed, L.h.)			Actuator, Bypass
37	150792	Gear, Splined Diff. (210-1000 & 310-0750)			Deflector
38	150793	Gear, Miter Diff. (210-1000 & 310-0750)			Bottom, Filter
39	150809	Differential Shaft (310-0750)			Bushing, .707 X .788 X .591
40	170393	Retaining Ring	125	170445	Kit, Filter
41	170394	Pin, Jackshaft			Bottom, Filter
42	170395	Magnet, Ring			Base, Filter W/ Poppet
43	170396	Spring, Bypass			Spring, Bypass
44	150797	Bolt 3/8-24 X 2-1/2			Actuator, Bypass
45	170397	Filter			Deflector
46	170398	Base, Filter	126	191029	Kit, Fan/pulley
47	170399	Actuator, Bypass			Hex Jam 1/20-20 (Nylon Insert)
48	170400	Rod, Bypass Actuator			Washer, OD Slotted, .53 X 1.53 X .06
49	178156	Arm, Bypass			Fan, 7 In
50	170402	Retaining Ring .25 External			Pulley
51	170403	Seal, Lip .741 X .25 X .25	127	170447	Kit, Seal
52	170404	Washer, Flat 0.050" (210-1000)			Lip Seal .67 X 1.58 X .276
53	170405	Retaining Ring			Lip Seal 18 X 32 X 7
54	170406	Bearing, Center Block			Lip Seal .706 X 1.584 X .25
55	142977	Spring, Helical Compression			Lip Seal .741 X .250 X .250 Tc
56	142978	Washer, Block Thrust			Oil Seal .625 X 1.0 X .25
57	---	20W-50 0 1 78.80oz			O-ring .07 X .301 ID
58	142929	Kit, Brake Yoke	128	173165	Kit, Expansion Tank
59	170408	Rotor, Brake			Tank, Expansion Assembly
60	142883	Brake Puck			Cap, Vent
--	142882	Brake Puck Plate			Vsbolt, Self Tapping 10-32 X 1/2
62	170409	Pin, Brake Actuating			Bracket, Support Expansion Tank
63	170410	Hfhs 1/4-20 X 2 W/patch, Special Flange	129	191032	Cap, Expansion Tank Shipping
65	170411	Spacer, Brake Torsion Spring	900	170061	Transaxle
66	188297	Spring, Brake Arm Bias			

**NOTE:** All Component Dimensions Given In U.S. Inches  
1 Inch = 25.4 mm

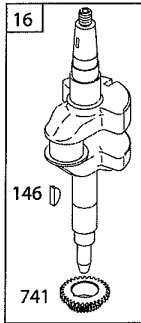
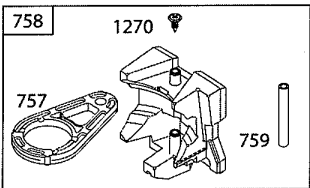
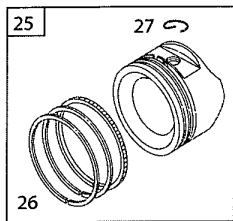
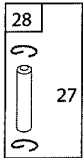
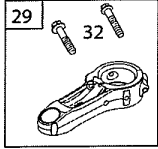
**TRACTOR- -MODEL NO. 917.254161**  
**BRIGGS & STRATTON ENGINE - - MODEL NUMBER 31A607, TYPE NUMBER 1392-B1**

48 SHORT BLOCK

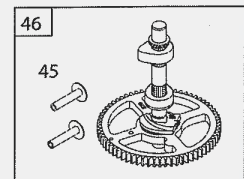
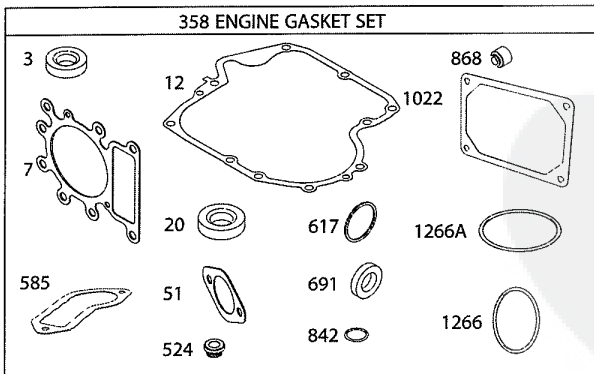
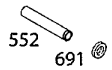
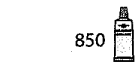
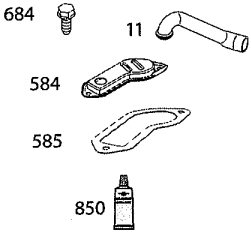
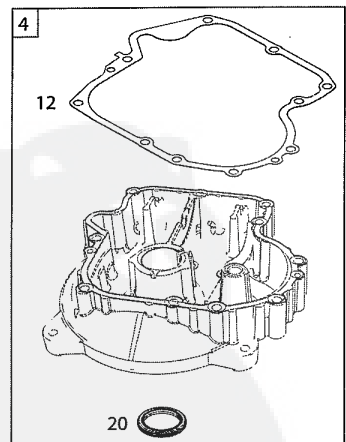
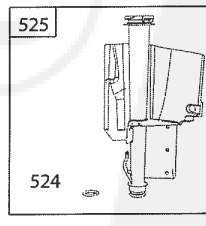
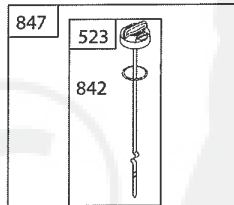
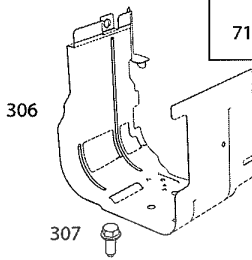
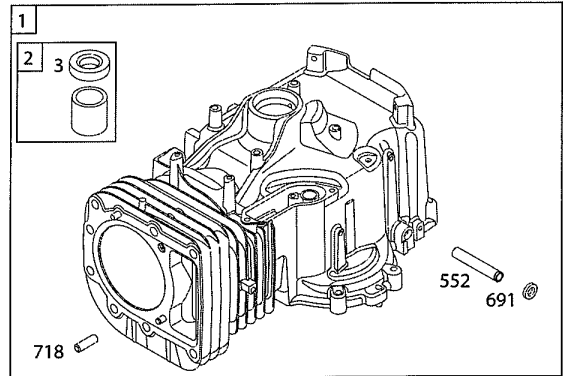
1058 OPERATOR'S MANUAL

1329 REPLACEMENT ENGINE

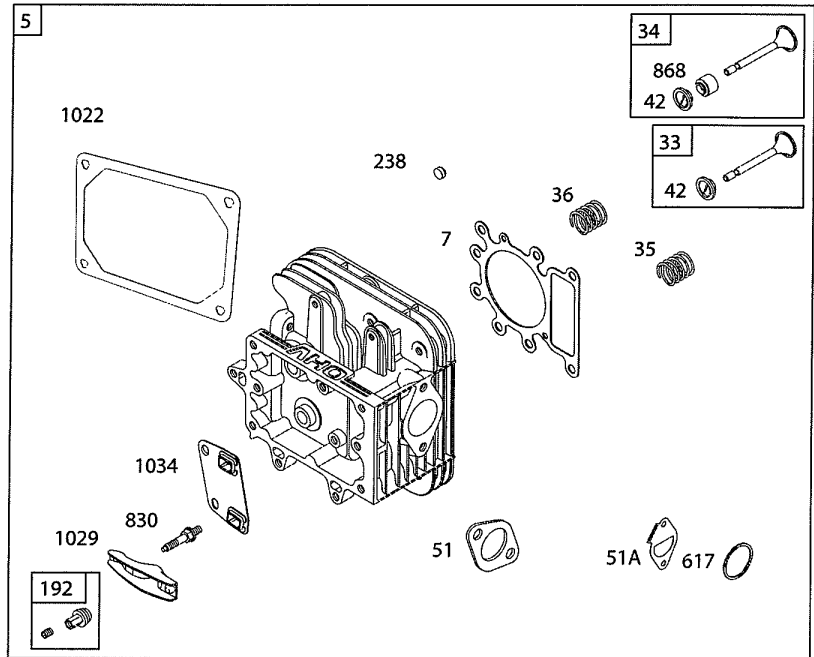
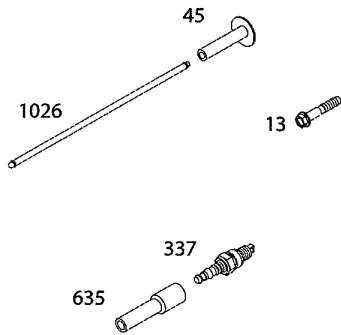
1330 REPAIR MANUAL



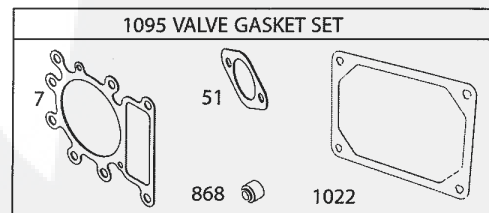
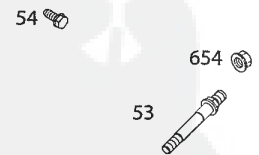
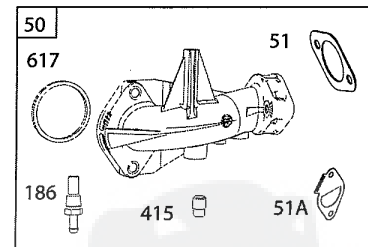
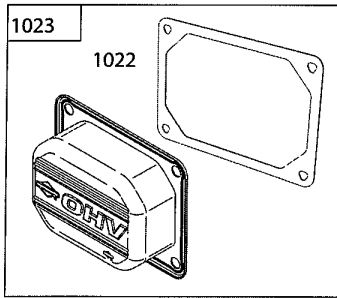
**LIQUID GASKET AND BREATHER PASSAGE GASKET  
 ARE INTERCHANGEABLE**



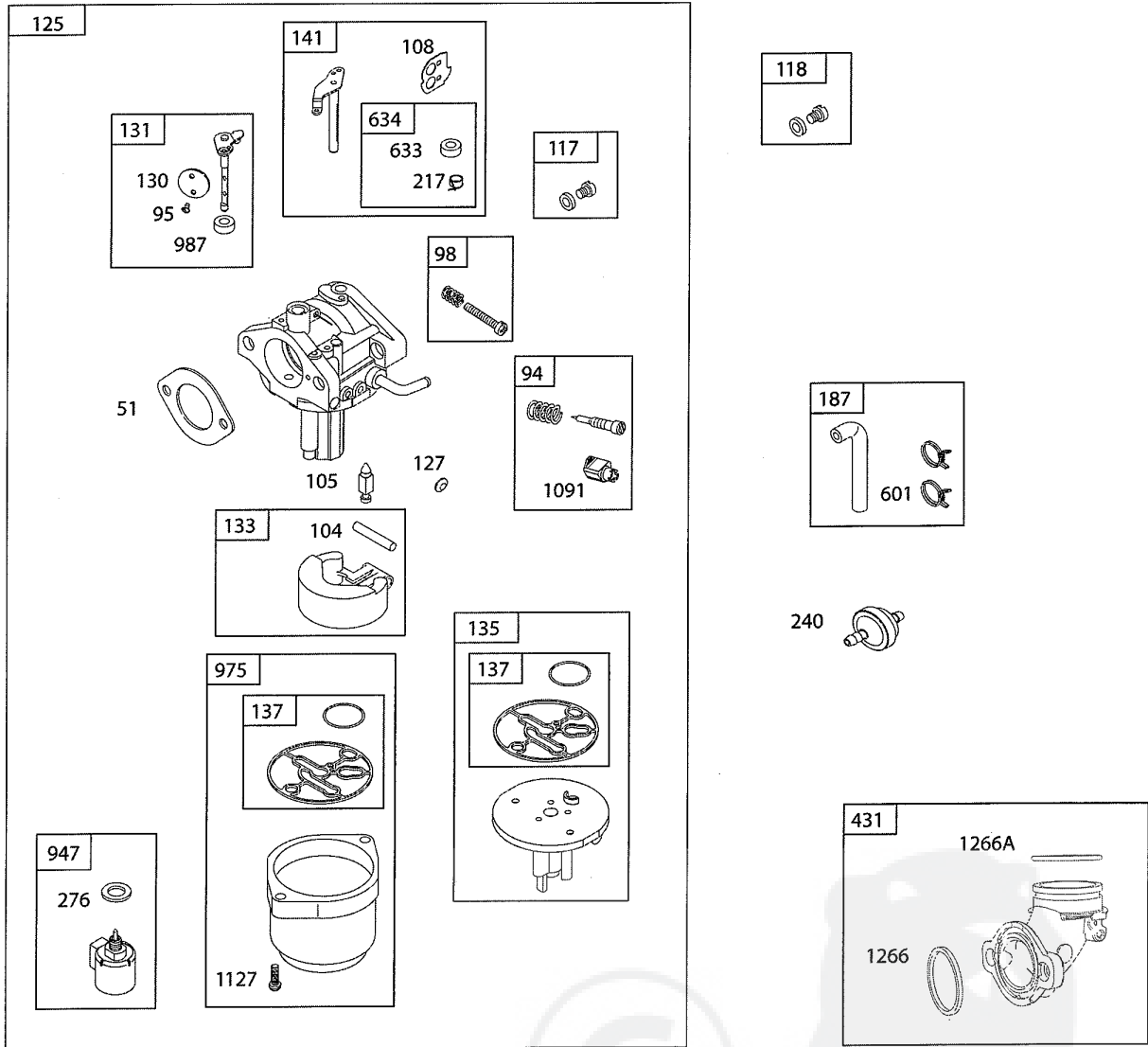
**TRACTOR- -MODEL NO. 917.254161**  
**BRIGGS & STRATTON ENGINE - - MODEL NUMBER 31A607, TYPE NUMBER 1392-B1**



850  **LIQUID GASKET AND ROCKER COVER GASKET ARE INTERCHANGEABLE**



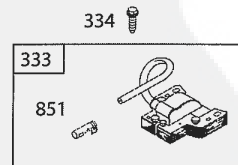
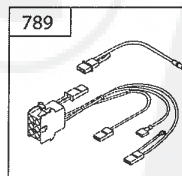
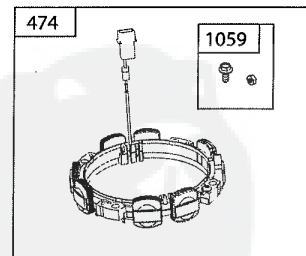
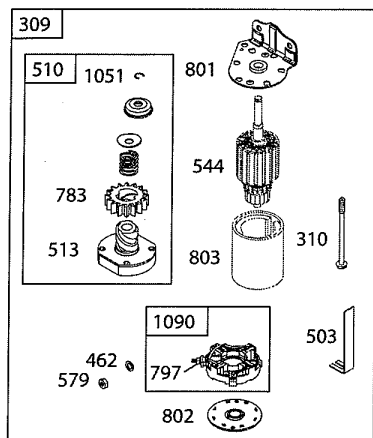
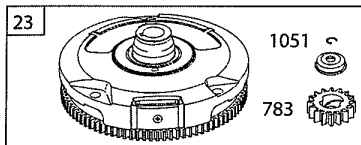
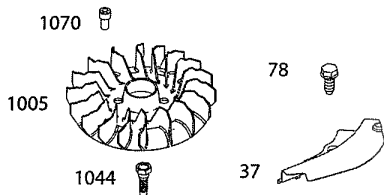
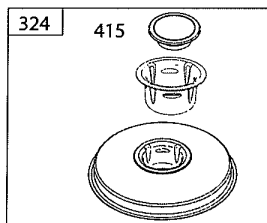
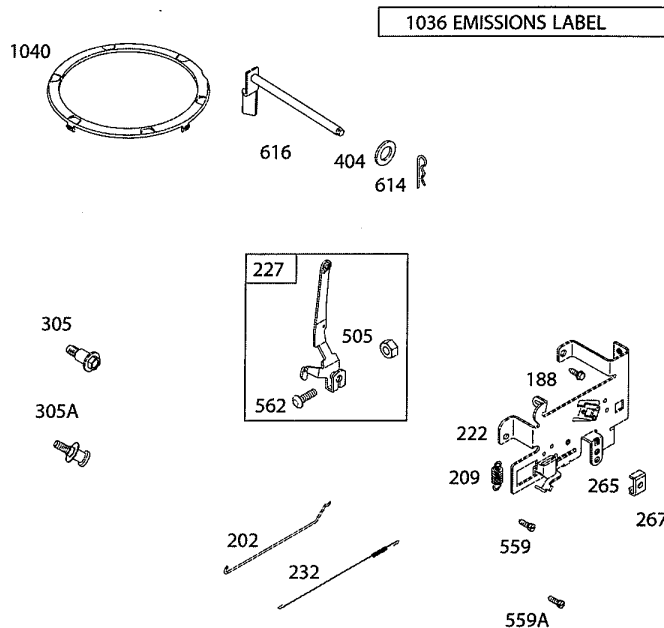
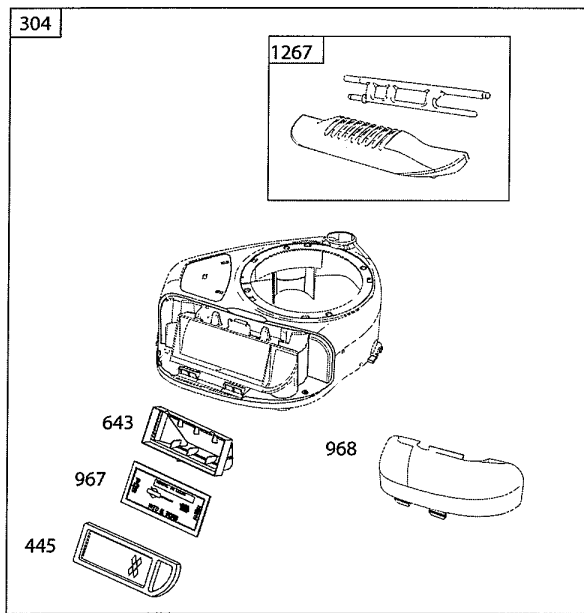
**TRACTOR- -MODEL NO. 917.254161**  
**BRIGGS & STRATTON ENGINE - - MODEL NUMBER 31A607, TYPE NUMBER 1392-B1**



121 CARBURETOR OVERHAUL KIT			
51		617	
		127	
104		633	
105		987	
		1266A	
		1266	



**TRACTOR- -MODEL NO. 917.254161**  
**BRIGGS & STRATTON ENGINE - - MODEL NUMBER 31A607, TYPE NUMBER 1392-B1**



## TRACTOR- -MODEL NO. 917.254161

### BRIGGS & STRATTON ENGINE - - MODEL NUMBER 31A607, TYPE NUMBER 1392-B1

KEY NO.	PART NO.	DESCRIPTION	KEY NO.	PART NO.	DESCRIPTION
1	796010	Cylinder Assembly	133	694914	Float-Carburetor
2	399265	Bushing/Seal Kit (Magneto Side)	135	698780	Tube-Fuel Transfer
3	• 391086s	Seal-Oil (Magneto Side)	137	♣ 698781	Gasket-Float Bowl
4	697106	Sump-Engine	141	792777	Kit-Choke Shaft
5	796025	Head-Cylinder	146	691639	Key-Timing
7	♦ 796584	Gasket-Cylinder Head	186	794873	Connector-Hose (Intake Manifold)
11	794683	Tube-Breather	187	791805	Line-Fuel (Formed) (Cut to Required Length)
12	• 697110	Gasket-Crankcase	188	691693	Screw (Control Bracket)
13	793988	Screw (Cylinder Head)	192	691986	Adjuster-Rocker Arm
15	690946	Plug-Oil Drain	202	691841	Link-Mechanical Governor
16	797579	Crankshaft	209	796260	Spring-Governor (Green)
20	• 795387	Seal-Oil (PTO Side)	217	695409	Spring-Choke Return
22	692125	Screw (Crankcase Cover/ Sump)	222	694042	Bracket-Control
23	698281	Flywheel	227	691374	Lever-Governor Control
24	222698s	Key-Flywheel	232	691842	Spring-Governor Link
25	796172	Piston Assembly (Standard)	238	691843	Cap-Valve
	796173	Piston Assembly (.020" Oversize)	240	394358s	Filter-Fuel
26	791936	Ring Set (Standard)	265	691024	Clamp-Casing
	792649	Ring Set (.020" Oversize)	267	794904	Screw (Casing Clamp)
27	698469	Lock-Piston Pin	276	695410	Washer-Sealing
28	796007	Pin-Piston	304	796416	Blower Housing
29	794122	Rod-Connecting	305	697102	Screw (Blower Housing) (Long)
32	791118	Screw (Connecting Rod)	305A	793376	Screw (Blower Housing) (Short)
33	792868	Valve-Exhaust	306	796006	Shield-Cylinder
34	791935	Valve-Intake	307	691003	Screw (Cylinder Shield)
35	691279	Spring-Valve (Intake)	309	693551	Motor-Starter
36	691279	Spring-Valve (Exhaust)	310	690323	Screw (Starter Motor)
37	697352	Guard-Flywheel	324	796308	Screen/Cup Assembly
42	499586	Keeper-Valve	333	795315	Armature-Magneto
43	691968	Slinger-Governor/Oil	334	691061	Screw (Magneto Armature)
45	690564	Tappet-Valve	337	691043	Plug-Spark
46	793880	Gear-Cam	358	796187	Gasket Set-Engine
48	697761	Short Block (If repair would also require the Cylinder Head Assembly order Short Block Assembly part number 791116)	404	691691	Washer (Governor Crank)
			415	690283	Plug (Intake Manifold)
			415A	794129	Plug (Cover/Retainer)
			431	697122	Elbow-Intake
50	796180	Manifold-Intake	445	797008	Filter-Air Cleaner Cartridge
51	♦♦ 692137	Gasket-Intake	462	691261	Washer (Starter Cable)
51A	796081	Gasket-Intake	474	696459	Alternator
53	690227	Stud (Carburetor)	503	691532	Strap-Starter
54	691148	Screw (Intake Manifold)	505	691251	Nut (Governor Control Lever)
78	691003	Screw (Flywheel Guard)	510	693699	Drive-Starter
94	793610	Kit-Idle Mixture	513	692024	Clutch-Drive
95	690718	Screw (Throttle Valve)	523	699908	Dipstick
98	695408	Kit-Idle Speed	524	• 691032	Seal-Dipstick Tube
104	♣ 694918	Pin-Float Hinge	525	697184	Tube-Dipstick
105	♣ 696136	Valve-Float Needle	544		Armature-Starter (Order Starter Motor, Reference 309, 693551, for replacement)
108	695419	Valve-Choke	552	697144	Bushing-Governor Crank
117	843099	Jet-Main (Standard)	562	691119	Screw (Governor Control Lever)
118	790890	Jet-Main (High Altitude)	559	697561	Screw (Remote Choke Stop) (Short)
121	796184	Kit-Carburetor Overhaul	559A	693675	Screw (Remote Choke Stop)
125	796109	Carburetor			
127	♣ 690727	Plug-Welch			
130	699500	Valve-Throttle			
131	699501	Kit-Throttle Shaft			

## TRACTOR- -MODEL NO. 917.254161

### BRIGGS & STRATTON ENGINE - - MODEL NUMBER 31A607, TYPE NUMBER 1392-B1

KEY NO.	PART NO.	DESCRIPTION	KEY NO.	PART NO.	DESCRIPTION
		(Long)	975	699502	Bowl-Fuel
579	691029	Nut (Starter Cable)	987	♣ 698777	Seal-Throttle Shaft
584	794682	Cover-Breather Passage (Use with Liquid Sealant, Reference 850)	1005	796083	Fan-Flywheel
			1022	♦ 272475s	Gasket-Rocker Cover
585	• 697109	Gasket-Breather Passage	1023	791079	Cover-Rocker
601	791850	Hose-Clamp (Green)	1026	692003	Rod-Push (Intake)
614	691620	Pin-Cotter		692011	Rod-Push (Exhaust)
616	692012	Crank-Governor	1029	691751	Arm-Rocker
617	♣ 692138	Seal-O Ring (Intake Manifold) (Red)	1034	690822	Guide-Push Rod
633	699813	Seal-Choke/Throttle Shaft (Choke Shaft)	1036		Label-Emissions (Available from a Briggs & Stratton Authorized Dealer)
634	♣ 698779	Spring/Seal Assembly (Choke Shaft)	1040	698368	Plate-Trim
635	691909	Boot-Spark Plug	1044	698139	Screw (Flywheel)
643	698401	Retainer-Air Filter	1051	691265	Ring-Retaining
654	690958	Nut (Carburetor)	1059	698516	Kit-Screw/Washer
684	697157	Screw (Breather Assembly)	1070	690363	Screw (Flywheel Fan)
691	• 692407	Seal-Governor Shaft	1090	691293	Retainer-Brush
718	690959	Pin-Locating	1091	691333	Cap-Limiter
729	691224	Clip-Wire	1095	794152	Gasket Set-Valve
741	697128	Gear-Timing	1119	691183	Screw (Alternator)
757	793242	Link-Counterweight	1127	695407	Screw (Float Bowl)
758	697134	Counterweight	1263	697124	Reed-Breather
759	697392	Pin-Counterweight	1264	697104	Screw (Breather Reed)
783	693713	Gear-Pinion	1266	♣ 691917	Seal-O Ring (Intake Elbow) (Red)
789	698329	Harness-Wiring	1266A	♣ 697123	Seal-O Ring (Intake Elbow)
797	693167	Nut (Brush Retainer)	1267	697419	Latch-Blower Housing
801	691283	Cap-Drive	1270	793243	Plug-AVS Counterweight
802	691286	Cap-End	1329	31C707	Replacement Engine (Transfer the Speed Limiter Control Assembly to the replacement engine. Transfer the governor spring to the replacement engine. Transfer Muffler and/or Spark Arrester Assembly from the original engine, if suitable for additional service or add new parts as required.)
803		Housing-Starter (Order Starter Motor, Reference 309, 693551, for replacement)		-0026-G1	Repair Manual
830	691095	Stud-Rocker Arm	1330	276781	
842	• 691031	Seal-O Ring (Dipstick Tube)			
847	790442	Dipstick/Tube Assembly			
850	100106	Sealant-Liquid (Liquid Sealant is interchangeable with Breather Passage Gasket and/or Rocker Cover Gasket)			
851	692424	Terminal-Spark Plug			
868	♦ 690968	Seal-Valve			
914	697551	Screw (Rocker Cover)			
947	699915	Solenoid-Fuel			
967	697015	Filter-Pre Cleaner			
968	698403	Cover-Air Cleaner			

- Engine Gasket Set
- ♦Valve Gasket Set
- ♣Carburetor Overhaul Kit Key No. 121

NOTE: All component dimensions given in U.S. inches 1 inch = 25.4 mm

### LIMITED WARRANTY ON CRAFTSMAN RIDING EQUIPMENT

For two (2) years from the date of purchase, if this Craftsman Riding Equipment is maintained, lubricated and tuned up according to the instructions in the owner's manual, Sears will repair or replace free of charge any parts that are found to be defective in material or workmanship according to the guidelines of coverage listed below. Sears will also provide free labor for these applicable warranted parts for the two full years. During the first 30 days of purchase, there will be no charges to service the product at your home for issues covered by this warranty. (See exclusions below). For your convenience, IN HOME warranty service will still be available after the first 30 days of purchase, but a trip charge will apply. This charge will be waived if the Craftsman product is dropped off at an authorized Sears location. For the nearest authorized Sears location, please call 1-800-4-MY-HOME®. This warranty applies only while this product is within the United States.

This Warranty does not cover:

- Expendable items which become worn during normal use, including but not limited to blades, spark plugs, air cleaners, belts, and oil filters.
- Standard Maintenance Servicing, oil changes, or tune-ups
- Tire replacement or repair caused by punctures from outside objects, such as nails, thorns, stumps, or glass.
- Repairs necessary because of operator abuse, including but not limited to, damage caused by towing objects beyond the capability of the riding equipment, impacting objects that bend the frame or crankshaft, or over-speeding the engine.
- Repairs necessary because of operator negligence, including but not limited to, electrical and mechanical damage caused by improper storage, failure to use the proper grade and amount of engine oil, failure to keep the deck clear of flammable debris, or failure to maintain the equipment according to the instructions contained in the owner's manual.
- Engine (fuel system) cleaning or repairs caused by fuel determined to be contaminated or oxidized (stale). In general, fuel should be used within 30 days of its purchase date.
- Normal deterioration and wear of the exterior finishes, or product label replacement.
- Riding equipment used for commercial or rental purposes.

### LIMITED WARRANTY ON BATTERY

For ninety (90) days from date of purchase, if any battery included with this riding equipment proves defective in material or workmanship and our testing determines the battery will not hold a charge, Sears will replace the battery at no charge. During the first 30 days of purchase, there will be no charges to replace the battery at your HOME. After the first 30 days, for your convenience, IN-HOME warranty service will still be available but a trip charge will apply. This charge will be waived if the Craftsman product is dropped off at an authorized Sears location. For the nearest authorized Sears location, please call 1-800-4-MY-HOME®.

This battery warranty applies only while this product is within the United States.

This warranty gives you specific legal rights, and you may also have other rights, which vary, from state to state.

Sears, Roebuck and Co., Hoffman Estates, IL 60179



**CRAFTSMAN®**