

REPAIR PARTS MANUAL
MODEL NO. 277313
Lawn Tractor

CRAFTSMAN®

HOW TO USE THIS MANUAL

This manual is designed to provide the customer with a means to identify the parts on his/her tractor when ordering repair parts. The illustrations may or may not represent the actual assemblies; therefore, it is not recommended to use this manual as a guide to assemble or disassemble the tractor. Some hardware and parts are drawn larger in order to more readily identify them.

Each tractor has its own model number.

The model number for your tractor can be found on the fender under the seat.

When ordering parts, always give the following information:

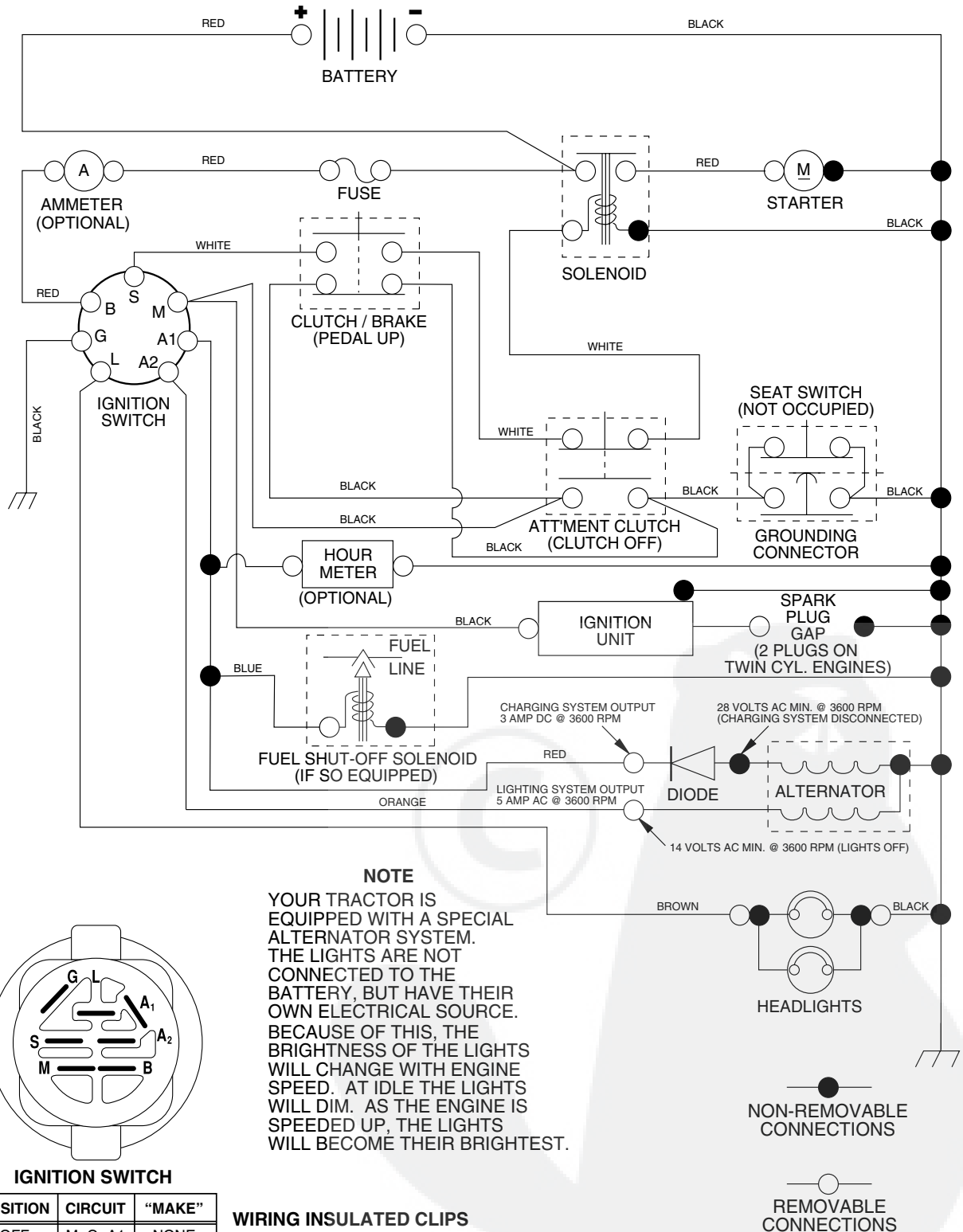
- Product - "Tractor"
- Model Number - "277313"
- Part Number
- Part Description

TABLE OF CONTENTS

| | |
|-----------------------|-------|
| SCHEMATIC | 3 |
| ELECTRICAL..... | 4-5 |
| CHASSIS..... | 6-7 |
| DRIVE..... | 8-9 |
| STEERING | 10-11 |
| SEAT | 12 |
| DECALS..... | 13 |
| ENGINE..... | 14-15 |
| MOWER LIFT | 16-17 |
| MOWER DECK | 18-19 |
| TRANSAXLE..... | 20-21 |
| ENGINE BREAKDOWN..... | 22-27 |
| WARRANTY | 28 |

TRACTOR- -MODEL NO. 917. 277313

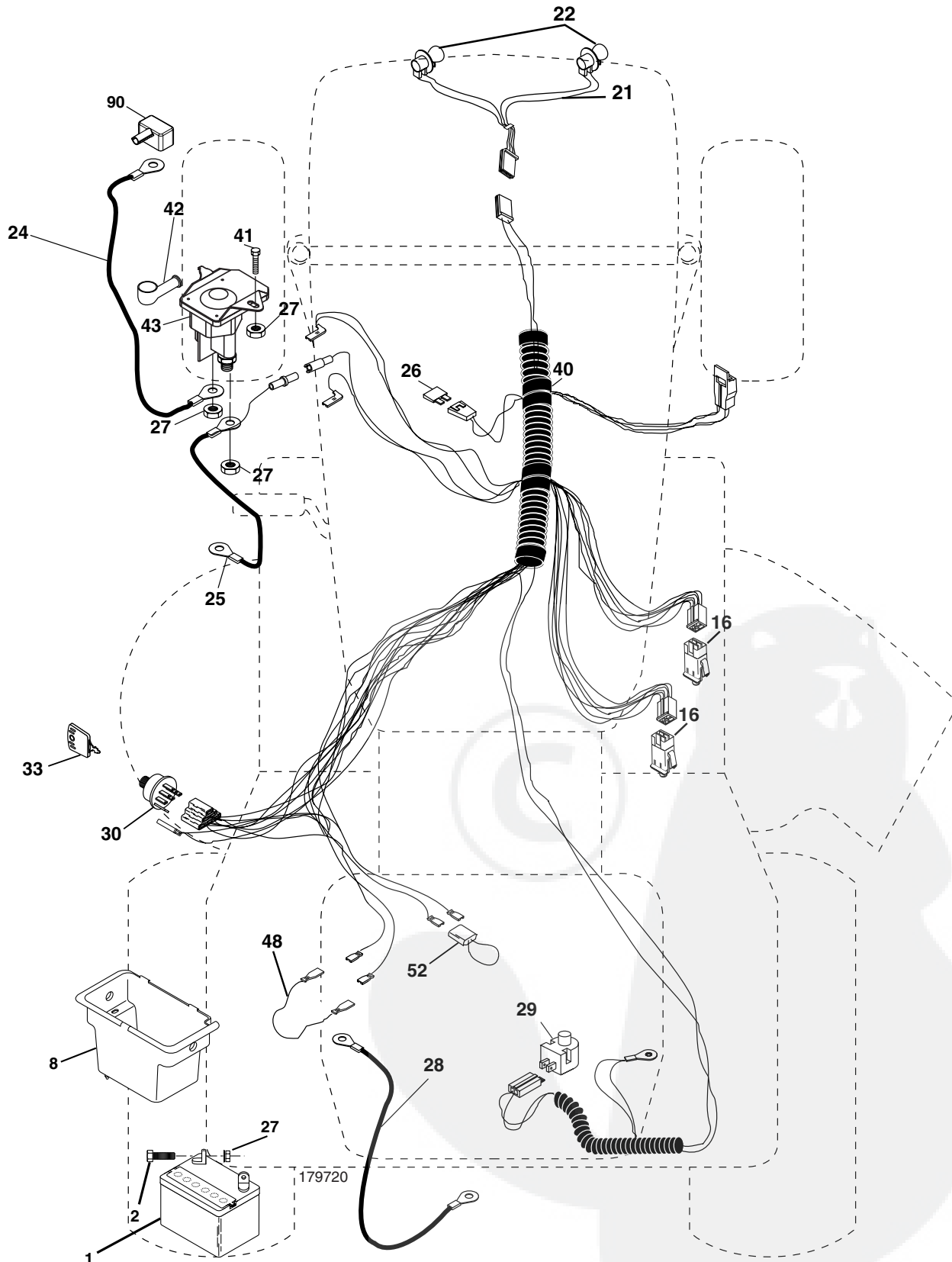
SCHEMATIC



REPAIR PARTS

TRACTOR- -MODEL NO. 917. 277313

ELECTRICAL



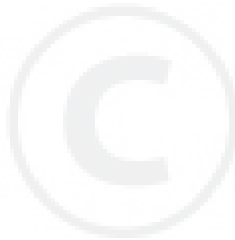
REPAIR PARTS

TRACTOR- -MODEL NO. 917. 277313

ELECTRICAL

| KEY NO. | PART NO. | DESCRIPTION |
|---------|----------|------------------------------------|
| 1 | 163465 | Battery |
| 2 | 74760412 | Bolt Hex Hd 1/4-20 unc x 3/4 |
| 8 | 176689 | Box Battery Fender |
| 16 | 176138 | Switch, Interlock |
| 21 | 175688 | Harness Asm Light W/4152j |
| 22 | 4152J | Bulb Light #1156 |
| 24 | 4799J | Cable Battery 6 Ga. 11" red |
| 25 | 146147 | Cable Battery 6 Ga. w/16 wire red |
| 26 | 175158 | Fuse 20 AMP |
| 27 | 73510400 | Nut, Keps Hex 1/4-20 unc |
| 28 | 4207J | Cable Ground 6 Ga. 12" black |
| 29 | 121305X | Switch Plunger Nc Gray |
| 30 | 175566 | Switch Ign |
| 33 | 140403 | Key Ign Molded Craftsman |
| 40 | 179720 | Harness Ign |
| 41 | 71110408 | Bolt Blk. Fin Hex 1/4-20 unc x 1/2 |
| 42 | 131563 | Cover Terminal Red |
| 43 | 192507 | Solenoid |
| 48 | 140844 | Ammeter Adapter |
| 52 | 141940 | Protection Wire Loop |
| 90 | 180449 | Cover Battery Terminal |

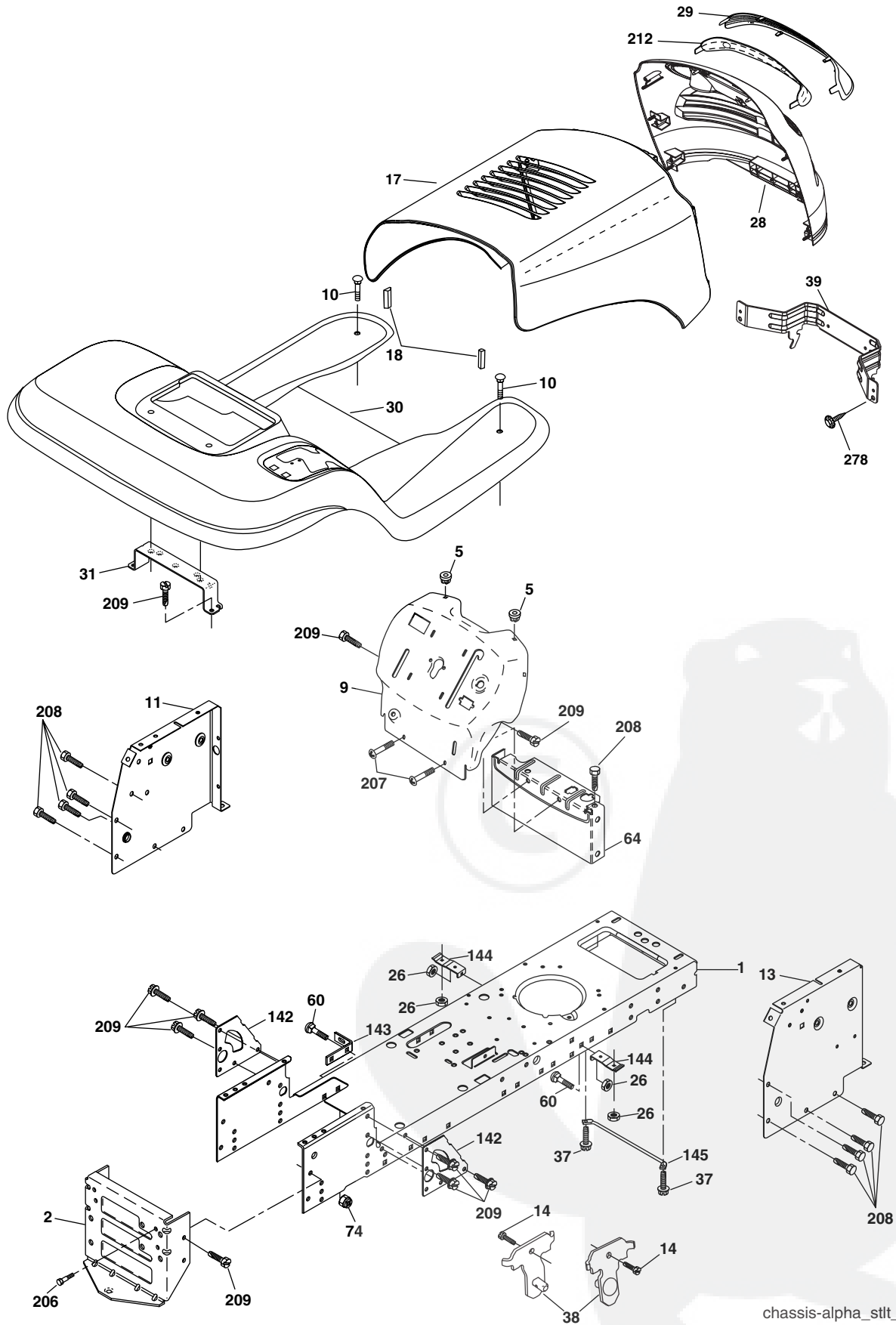
NOTE: All component dimensions give in U.S. inches
1 inch = 25.4 mm



REPAIR PARTS

TRACTOR- -MODEL NO. 917. 277313

CHASSIS AND ENCLOSURES



chassis-alpha_stlt_1

REPAIR PARTS

TRACTOR- -MODEL NO. 917. 277313

CHASSIS AND ENCLOSURES

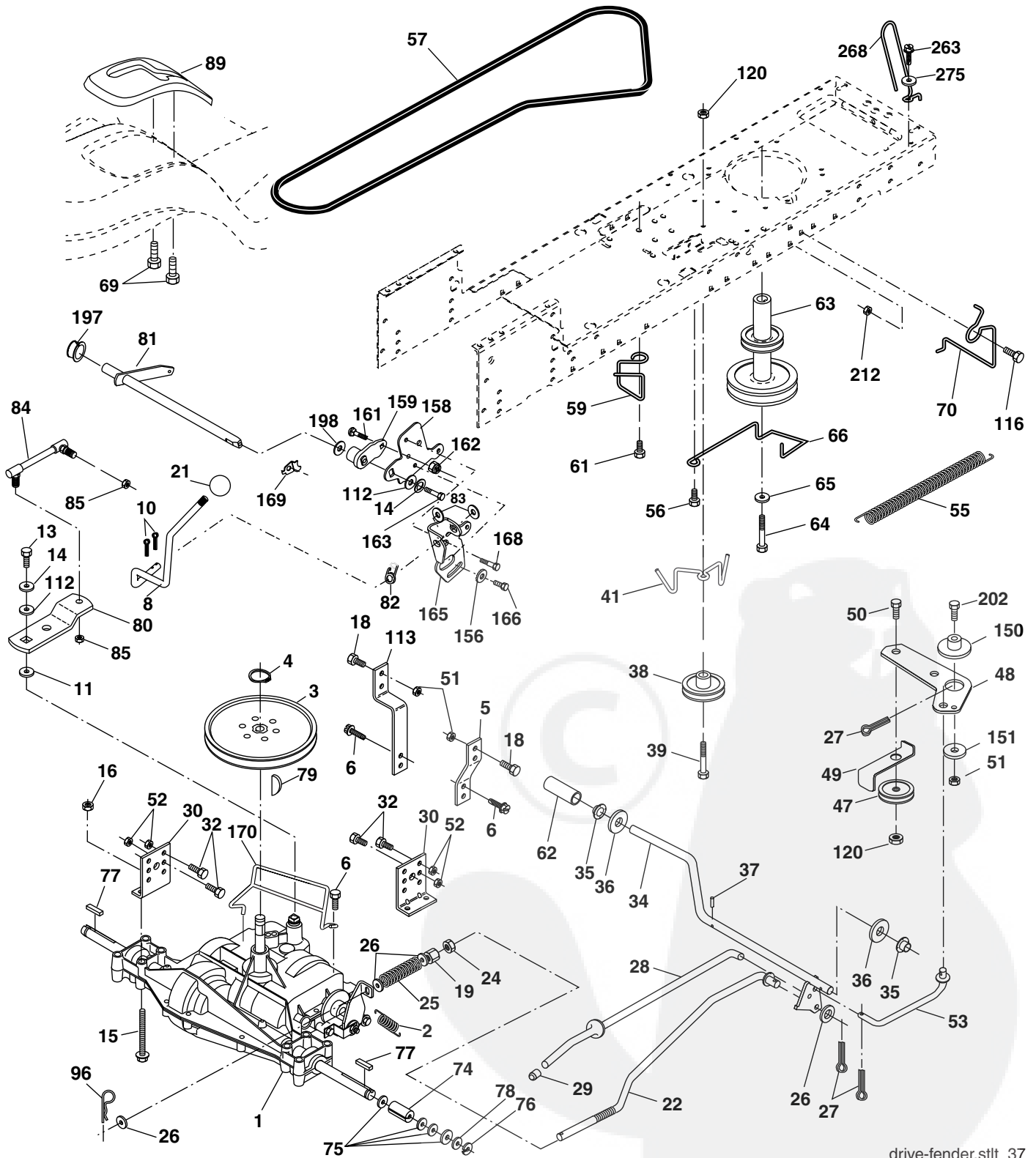
| KEY NO. | PART NO. | DESCRIPTION |
|---------|------------|--|
| 1 | 174619 | Chassis Stamping |
| 2 | 176554 | Drawbar |
| 5 | 155272 | Bumper Hood/Dash |
| 9 | 193510X013 | Dash |
| 10 | STD533710 | Bolt, Carriage 3/8-16 x 1 |
| 11 | 174996 | Panel, Dash, L.H. |
| 13 | 172105X010 | Panel, Dash, R.H. |
| 14 | 17490608 | Screw Thdrol 3/8-16 x 1/2 |
| 17 | 187559X558 | Hood Assembly Laser |
| 18 | 184921 | Bumper Extrusion |
| 26 | STD541437 | Nut |
| 28 | 187598 | Grille Lens Asm (Include Key #'s 29 and 212) |
| 29 | 187567X599 | Lens, Laser |
| 30 | 192394X558 | Fend/Ftrest Pnt STLT |
| 31 | 139976 | Bracket, Fender Support |
| 37 | 17490508 | Screw Thdrol 5/16-18 x 1/2 Tyt |
| 38 | 175710 | Bracket Asm. Pivot Mower Rear |
| 39 | 187568 | Bracket Pivot |
| 60 | 72140606 | Bolt Rdhd Sqnk 3/8-16 unc x 3/4 |
| 64 | 154798 | Dash Lower STLT |
| 74 | 73680600 | Nut Crownlock 3/8-16 unc |
| 142 | 175702 | Plate Reinforcement STLT |
| 143 | 186689 | Bracket Swaybar Chassis |
| 144 | 175582 | Bracket Pnt Footrest STLT |
| 145 | 156524 | Jod Pivot Chassis/Hood |
| 206 | 170165 | Bolt Shoulder 5/16 -18 TT |
| 207 | 17670508 | Screw Thdrol 5/16-18 x 1/2 TYTT |
| 208 | 17670608 | Screw Thdrol 3/8-16 x 1/2 |
| 209 | 17000612 | Screw Thdrol 3/8-16 x 3/4 |
| 212 | 187569 | Insert Lens Reflective |
| 278 | 191611 | Screw 10 x 3/4 Single Lead-Hex |
| -- | 5479J | Plug, Button |
| -- | 193640X428 | Plug Switch Light |

NOTE: All component dimensions given in U.S. inches
1 inch = 25.4 mm

REPAIR PARTS

TRACTOR- -MODEL NO. 917. 277313

DRIVE



drive-fender.stlt_37

REPAIR PARTS

TRACTOR- -MODEL NO. 917. 277313

DRIVE

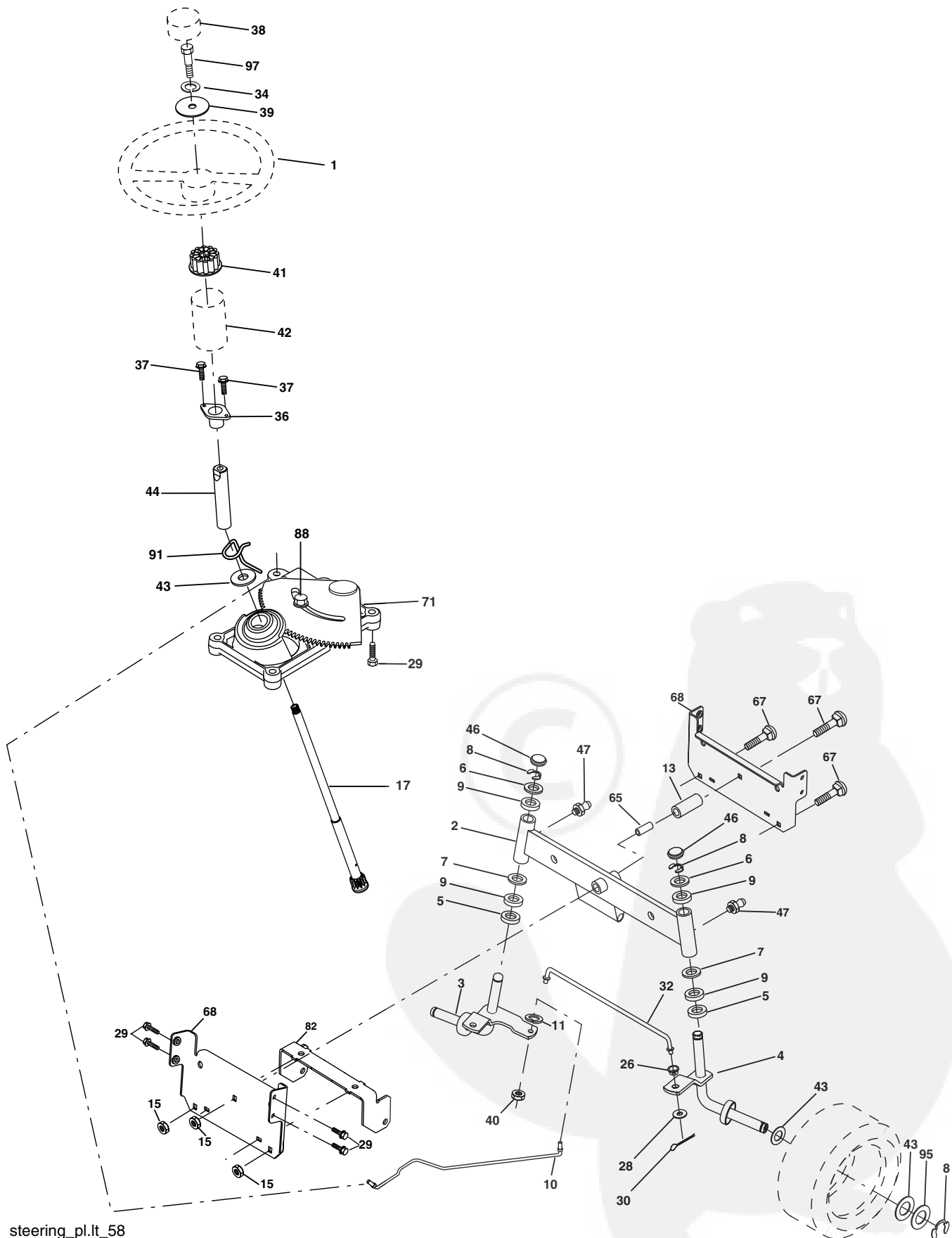
| KEY NO. | PART NO. | DESCRIPTION | KEY NO. | PART NO. | DESCRIPTION |
|---------|-----------|--|---------|------------|-----------------------------------|
| 1 | ----- | Transaxle Peerless Model 205-544C (See Breakdown) | 65 | STD551143 | Washer |
| 2 | 146682 | Spring Brake Return | 66 | 154778 | Keeper Belt Engine Hydro |
| 3 | 123666X | Pulley Transaxle | 69 | 142432 | Screw Hex Wsh Hi-Lo 1/4-1/2 unc |
| 4 | 12000028 | Ring Retainer | 70 | 180218 | Keeper Belt Engine |
| 5 | 121520X | Strap Torque 30 Degrees | 74 | 137057 | Spacer |
| 6 | 17060512 | Screw 5/16-18 x 3/4 | 75 | 121749X | Washer 25/32 x 1-1/4 x 16 Ga. |
| 8 | 192502 | Rod Shift Fender Adjust | 76 | STD581075 | E-Ring |
| 10 | STD561210 | Pin Cotter 1/8 x 1 CAD | 77 | 123583X | Key, Square |
| 11 | 105701X | Washer Plate Shift | 78 | 121748X | Washer 25/32 x 1-5/8 x 16 Ga. |
| 13 | 74550412 | Bolt 1/4-28unf Gr. 8 W/Patch | 79 | 2228M | Key Woodruff |
| 14 | 10040400 | Washer Lock Hvy Helical | 80 | 131486 | Arm Shift |
| 15 | 74490544 | Bolt Hex FLGHD 5/16-18 x Gr. 5 | 81 | 165594 | Shaft Asm Cross Tapered |
| 16 | STD541431 | Nut Lock Hex W/Ins. 5/16-18 unc | 82 | 165711 | Spring Torsion |
| 18 | 74780616 | Bolt Fin Hex 3/8-16 x 1 Gr. 5 | 83 | 19171216 | Washer 17/32 x 3/4 x 16 Ga. |
| 19 | STD541437 | Nut Lock Hex W/Wsh 3/8-16 unc | 84 | 166228 | Link Transaxle |
| 21 | 106933X | Knob | 85 | 150360 | Nut Lock Center 1/4-20 |
| 22 | 130804 | Rod, Brake | 89 | 192389X428 | Console, Shift |
| 24 | 73350600 | Nut, Hex Jam 3/8-16 unc | 96 | 4497H | Retainer Spring 1" Zinc/Cad |
| 25 | 106888X | Spring, Brake Rod | 99 | 17000512 | Screw 5/16-18 x 3/4 Smgml Tap/Bl |
| 26 | STD551037 | Washer 13/32 x 13/16 | 112 | 19091210 | Washer 9/32 x 3/4 x 10 Ga. |
| 27 | STD561210 | Pin Cotter 1/8 x 3/4 CAD. | 113 | 127285X | Strap Torque 90 Degrees |
| 28 | 175765 | Rod, Parking Brake | 116 | 72140608 | Bolt Rdhd Sqneck 3/8-16 x 1.25 |
| 29 | 71673 | Cap, Parking Brake | 120 | 73900600 | Nut Lock Flg 3/8-16 |
| 30 | 174973 | Bracket, Transaxle | 150 | 175456 | Spacer Retainer |
| 32 | 74760512 | Bolt Hex Hd 5/16-18 unc x 3/4 | 151 | 19133210 | Washer 13/32 x 2 x 10 Ga. |
| 34 | 175578 | Shaft, Foot Pedal | 156 | 166002 | Washer Srrted 5/16 ID x 1.125 |
| 35 | 120183X | Bearing, Nylon | 158 | 165589 | Bracket Shift Mount |
| 36 | 19211616 | Washer | 159 | 183900 | Hub Shift |
| 37 | 1572H | Pin, Roll | 161 | 72140406 | Bolt Rdhd Sqnk 1/4-20 x 3/4 Gr. 5 |
| 38 | 179114 | Pulley, Composite, Flat | 162 | 73680400 | Nut Crownlock 1/4-20 unc |
| 39 | 72110622 | Bolt Rdhd 3/8-16 unc x 2-3/4 Gr. 5 | 163 | 74780416 | Bolt Hex Fin 1/4-20 unc x 1 Gr. 5 |
| 41 | 175556 | Keeper, Belt Idler | 165 | 165623 | Bracket Pivot Lever |
| 47 | 127783 | Pulley, Idler, V-Groove | 166 | 17490510 | Screw 5/16-18 x 5/8 |
| 48 | 154407 | Bellcrank, Clutch | 168 | 165492 | Bolt Shoulder 5/16-18 x .561 |
| 49 | 123205X | Retainer, Belt | 169 | 165580 | Plate Fastening |
| 50 | 72110612 | Bolt Carr 3/8-16 x 1-1/2 | 170 | 187414 | Keeper Belt T/A |
| 51 | STD541437 | Nut Crownlock 3/8-16 unc | 197 | 169613 | Nyliner Snap-In 5/8"ID |
| 52 | STD541431 | Nut, Crownlock 5/16-18 unc | 198 | 169593 | Washer Nyl 7/8 ID x .105" Hyd |
| 53 | 105710X | Link, Clutch | 202 | 72110614 | Bolt Carr Sh 3/8-16 x 1-3/4 Gr. 5 |
| 55 | 105709X | Spring, Return, Clutch | 212 | 145212 | Nut Hex Flg. Lock |
| 56 | 17060620 | Screw 3/8-16 x 1-1/4 | 263 | 17000612 | Screw 3/8-16 x 3/4 |
| 57 | 130801 | V-Belt | 268 | 182402 | Guard Muffler |
| 59 | 169691 | Keeper, Center Span | 275 | 19131614 | Washer 13/32 x 1 x 14 Ga. |
| 61 | 17120614 | Screw . 3/8-16 x .875 | | | |
| 62 | 8883R | Cover, Pedal | | | |
| 63 | 180219 | Pulley, Engine | | | |
| 64 | 173937 | Bolt Hex 7/16-20 x 4 x Gr. 5 | | | |

NOTE: All component dimensions given in U.S. inches
1 inch = 25.4 mm

REPAIR PARTS

TRACTOR- -MODEL NO. 917. 277313

STEERING ASSEMBLY



steering_pl.lt_58

REPAIR PARTS

TRACTOR- -MODEL NO. 917. 277313

STEERING ASSEMBLY

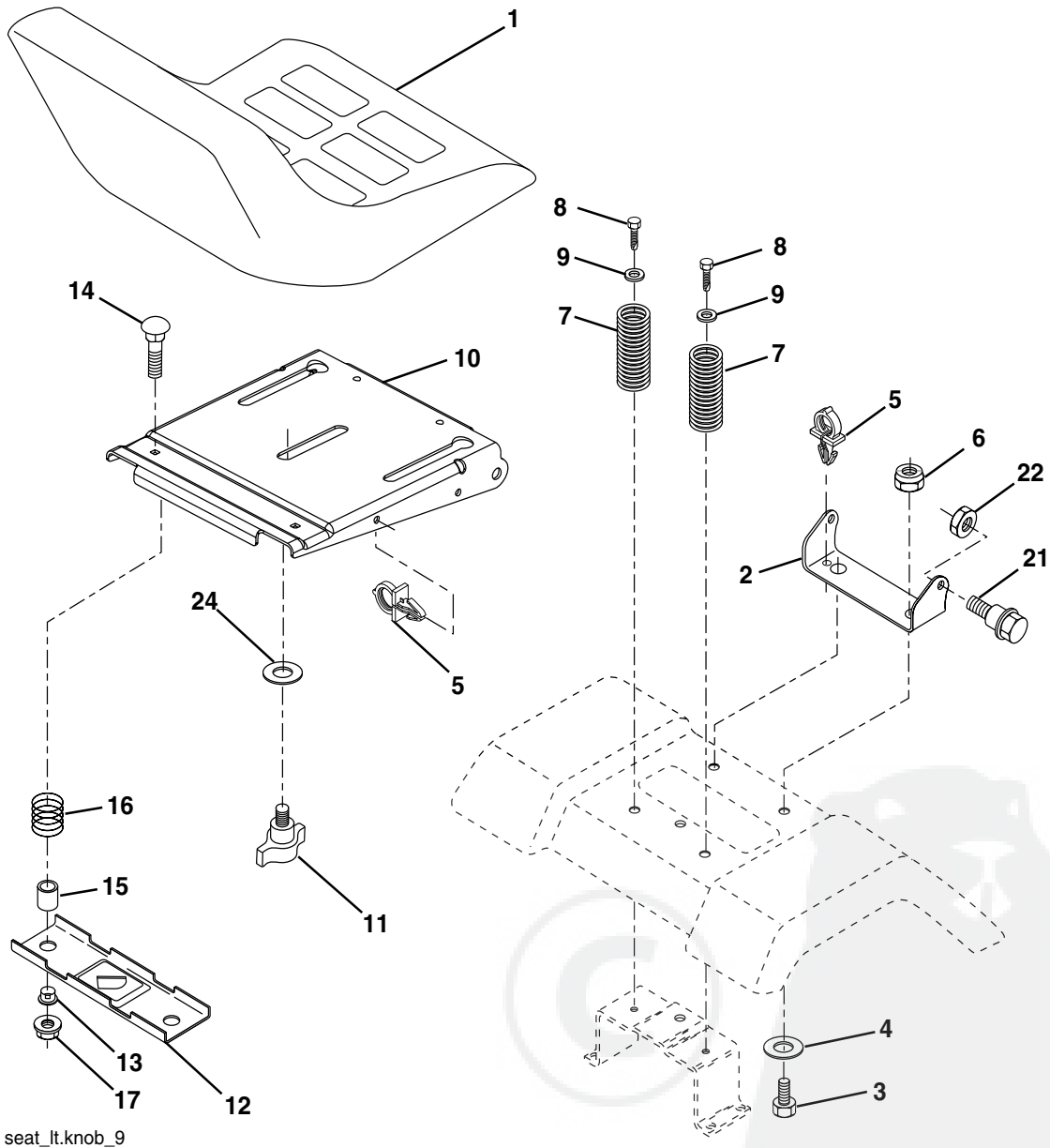
| KEY NO. | PART NO. | DESCRIPTION |
|---------|------------|-------------------------------------|
| 1 | 186780 | Steering Wheel |
| 2 | 175131 | Axle Assembly STMP Dropped STL |
| 3 | 169840 | Spindle Assembly, L.H. |
| 4 | 169839 | Spindle Assembly, R.H. |
| 5 | 6266H | Bearing, Race, Thrust, Hardened |
| 6 | 121748X | Washer 25/32 x 1-5/8 x 16 Ga. |
| 7 | 19272016 | Washer 27/32 x 1-1/4 x 16 Ga. |
| 8 | 12000029 | Ring, Klip |
| 9 | 3366R | Bearing, Steering Column |
| 10 | 175121 | Draglink |
| 11 | 10040600 | Washer, Lock |
| 13 | 136518 | Spacer Brg Axle Front |
| 15 | 145212 | Nut, Hexflange Lock |
| 17 | 190753 | Shaft Assembly, Steering |
| 26 | 126847X | Bushing, Link, Drag |
| 28 | 19131416 | Washer 13/32 x 7/8 x 16 Ga. |
| 29 | 17000612 | Screw 3/8-16 x 3/4 |
| 30 | STD561210 | Pin |
| 32 | 192757 | Rod, Tie |
| 34 | 10040500 | Washer Lock Hvy Hlcl Spr. 5/16 |
| 36 | 155099 | Bushing, Steering |
| 37 | 152927 | Screw |
| 38 | 186781 | Insert, Steering Wheel |
| 39 | 19113812 | Washer 11/32 ID x 2-3/8 OD x 12 Ga. |
| 40 | 73540600 | Nut Crownlock 3/8-24 |
| 41 | 186737 | Adaptor, Steering Wheel |
| 42 | 145054x428 | Boot, Steering Shaft |
| 43 | 121749X | Washer 25/32 x 1-1/4 x 16 Ga. |
| 44 | 190752 | Extension Shaft Steering |
| 46 | 121232X | Cap, Spindle |
| 47 | 183226 | Fitting, Grease |
| 65 | 160367 | Spacer Brace Axle |
| 67 | 72110618 | Bolt Rdhd Sqnk 3/8-16 x 2-1/4 |
| 68 | 169827 | Axle, Brace |
| 71 | 175146 | Steering Asm |
| 82 | 169835 | Bracket Susp Chassis Front |
| 88 | 175118 | Bolt Shoulder 7/16-20 |
| 91 | 175553 | Clip Steering |
| 95 | 188967 | Washer Harden .793 x 1.637 x .060 |
| 97 | 74780564 | Bolt 5/16-18 unc x 4"L Gr. 5 |

NOTE: All component dimensions given in U.S. inches
1 inch = 25.4 mm

REPAIR PARTS

TRACTOR- -MODEL NO. 917. 277313

SEAT ASSEMBLY



seat_lt.knob_9

| KEY NO. | PART NO. | DESCRIPTION |
|---------|-----------|---------------------------|
| 1 | 188716 | Seat |
| 2 | 180166 | Bracket, Pivot, Seat |
| 3 | 71110616 | Bolt |
| 4 | 19131610 | Washer 13/32 x 1 x 10 Ga. |
| 5 | 145006 | Clip, Push-In Hinged |
| 6 | STD541437 | Nut |
| 7 | 124181X | Spring, Seat |
| 8 | 17000616 | Screw 3/8-16 x 1-1/2 |
| 9 | 19131614 | Washer 13/32 x 1 x 14 Ga. |
| 10 | 180186 | Pan, Seat |
| 11 | 166369 | Knob Seat |
| 12 | 121246X | Bracket, Switch Mounting |

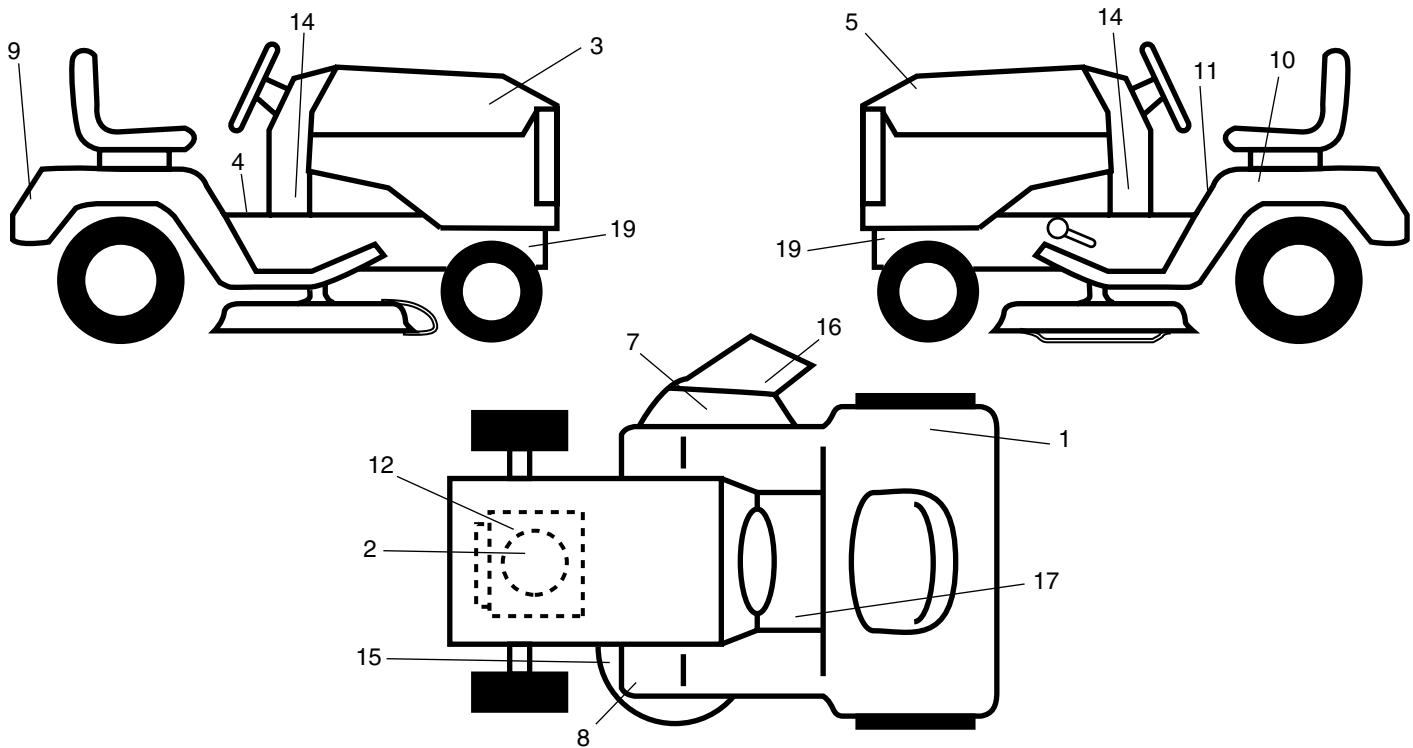
| KEY NO. | PART NO. | DESCRIPTION |
|---------|-----------|--------------------------------|
| 13 | 121248X | Bushing, Snap |
| 14 | 72050412 | Bolt, Carriage 1/4-20 x 1-1/2 |
| 15 | 134300 | Spacer, Split .28 x .88 |
| 16 | 121250X | Spring |
| 17 | 123976X | Locknut, Flange 1/4 Gr. 5 |
| 21 | 171852 | Bolt, Shoulder 5/16-18 unc |
| 22 | STD541431 | Nut |
| 24 | 19171912 | Washer 17/32 x 1-3/16 x 12 Ga. |

NOTE: All component dimensions given in U.S. inches
1 inch = 25.4 mm

REPAIR PARTS

TRACTOR- -MODEL NO. 917. 277313

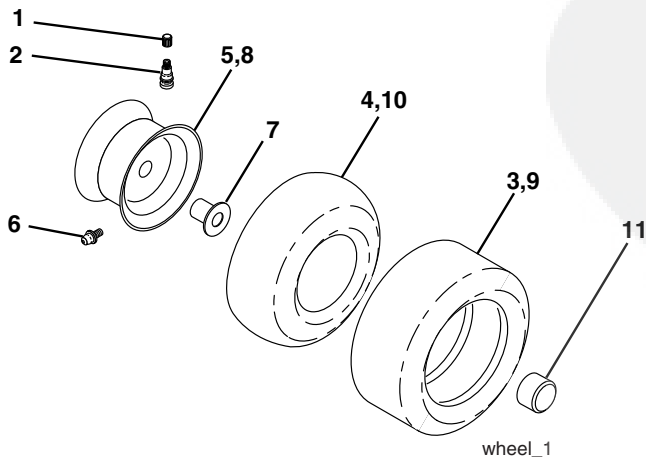
DECALS



| KEY NO. | PART NO. | DESCRIPTION |
|---------|----------|----------------------------------|
| 1 | 180432 | Decal, Fender DB/CE |
| 2 | 184847 | Decal, HP Engine |
| 3 | 190959 | Decal, Hood RH |
| 4 | 140837 | Decal, Brake Parking |
| 5 | 190960 | Decal, Hood LH |
| 7 | 196357 | Decal, Dflctr Warning Ctfng Sym |
| 8 | 197490 | Decal, V-Belt Drive Sch Trace CE |
| 9 | 184899 | Decal, Fender |
| 10 | 145005 | Decal, Battery, Dngr/Psn Eng |
| 11 | 145498 | Decal, Read Owner's Manual |
| 12 | 196841 | Decal, Engine Wrng Symbols |
| 14 | 181685 | Decal, Panel Dash |

| KEY NO. | PART NO. | DESCRIPTION |
|---------|------------|----------------------------|
| 15 | 136832 | Decal, V-Belt Sch |
| 16 | 182166 | Decal, Cutfinger |
| 17 | 159737 | Decal, Brake/Clutch Symbol |
| 19 | 159736 | Decal, Chassis Hot Muffler |
| -- | 162598 | Decal, Drawbar Load Limit |
| -- | 138311 | Decal, Lift Handle |
| -- | 184310X428 | Pad, Footrest LH STLT |
| -- | 184311X428 | Pad, Footrest RH STLT |
| -- | 197463 | Operator's, Manual, Euro |
| -- | 197464 | Operator's, Manual, Scan |
| -- | 197465 | Manual, Parts |

WHEELS & TIRES



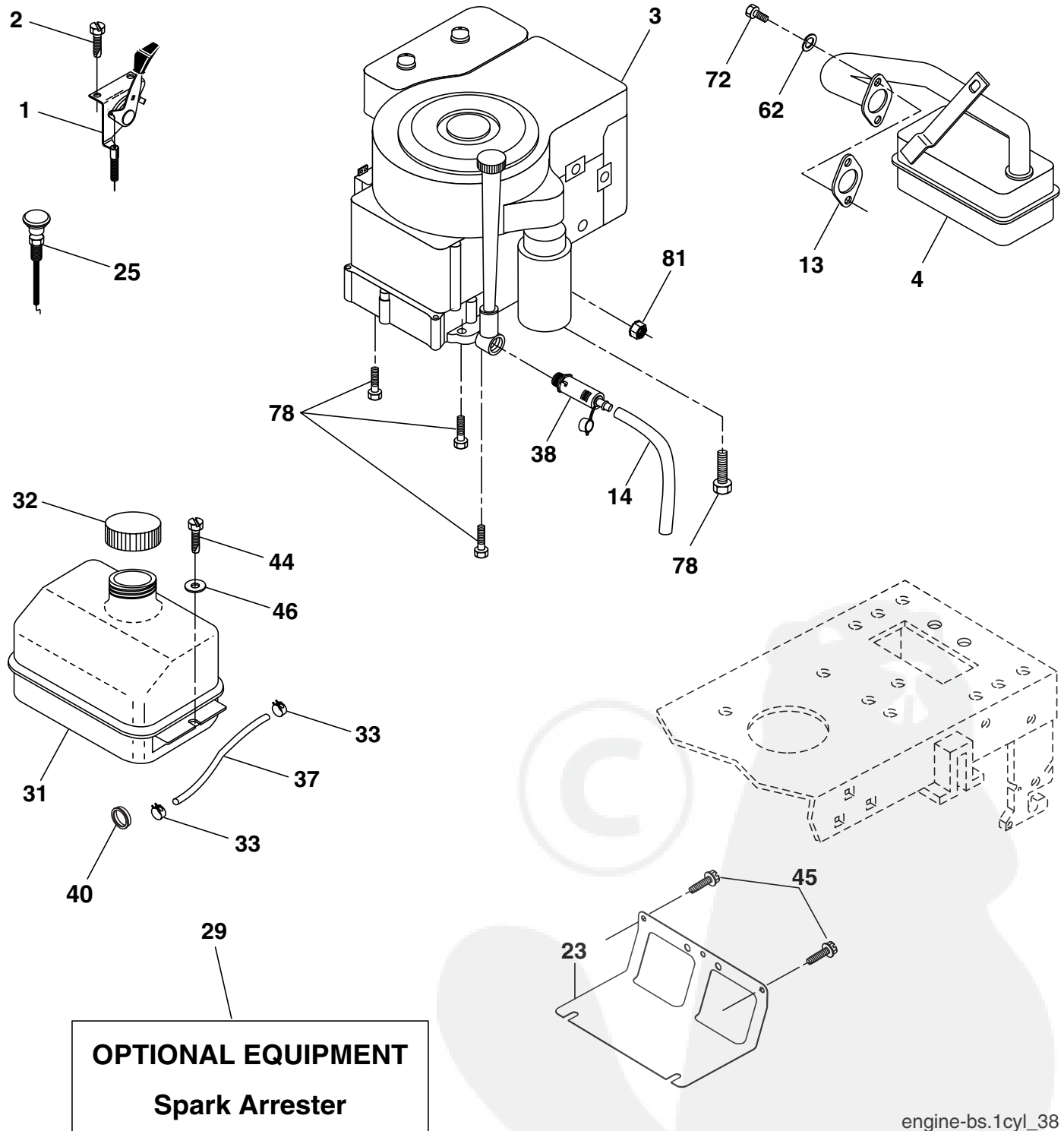
| KEY NO. | PART NO. | DESCRIPTION |
|---------|------------|---|
| 1 | 59192 | Valve Cap, Tire |
| 2 | 65139 | Stem, Valve |
| 3 | 106222X | Tire, Front |
| 4 | 59904 | Tube, Front Tire (Not Provided, Service Item Only) |
| 5 | 106732X624 | Rim, Front |
| 6 | 278H | Fitting, Grease (Front Wheel Only) |
| 7 | 9040H | Bearing, Flange (Front Wheel Only) |
| 8 | 106108X624 | Rim, Rear |
| 9 | 124635X | Tire, Rear |
| 10 | 7152J | Tube, Rear Tire (Not Provided, Service Item Only) |
| 11 | 104757X428 | Cap, Axle |
| -- | 144334 | Sealant, Tire 10 oz. |

NOTE: All component dimensions given in U.S. inches
1 inch = 25.4 mm

REPAIR PARTS

TRACTOR- -MODEL NO. 917. 277313

ENGINE



engine-bs.1cyl_38

REPAIR PARTS

TRACTOR- -MODEL NO. 917. 277313

ENGINE

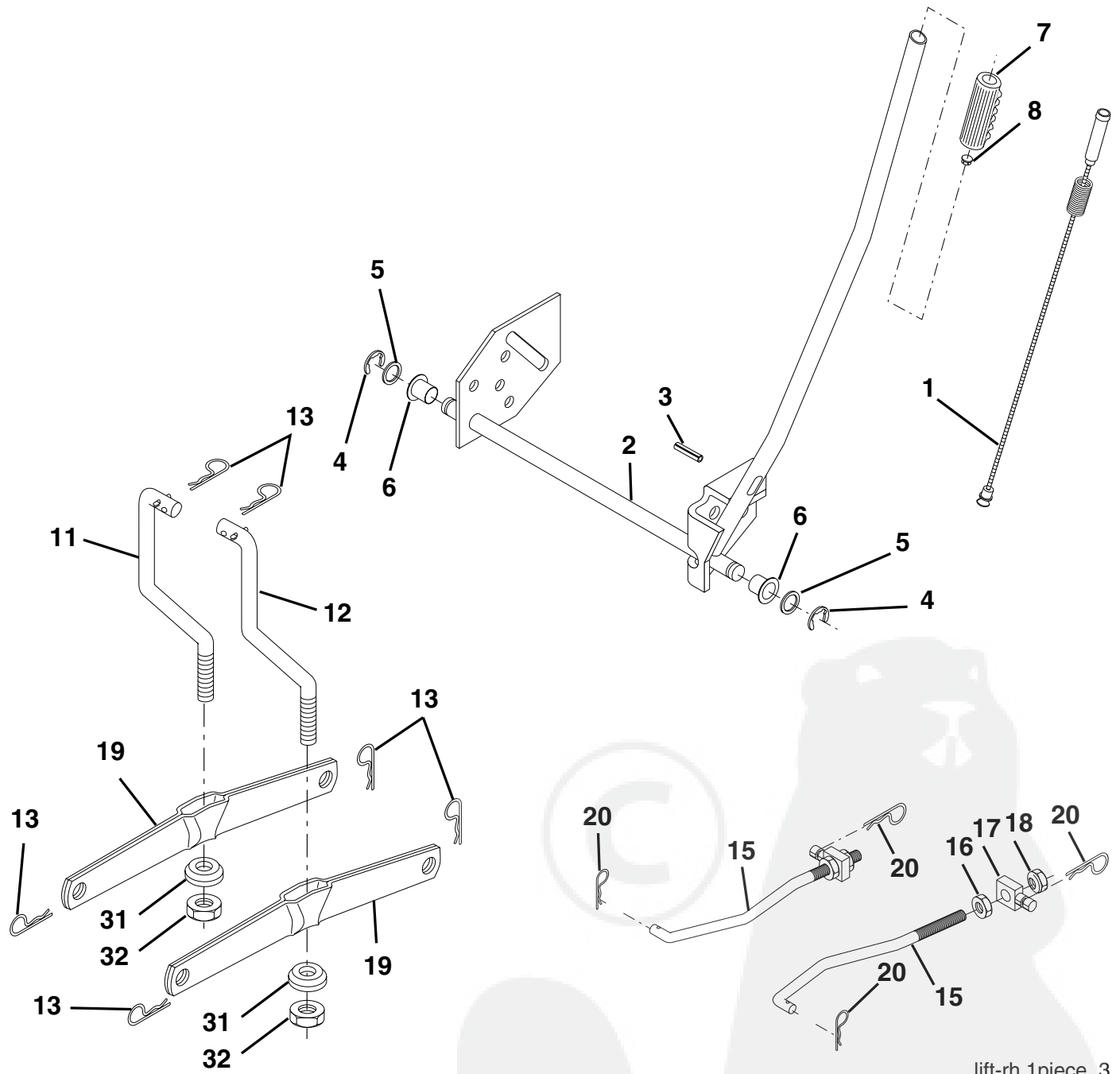
| KEY NO. | PART NO. | DESCRIPTION |
|---------|------------|---|
| 1 | 170551 | Control, Throttle |
| 2 | 17720408 | Screw, Hex Head, Thread Cutting 1/4-20 x 5/8 |
| 3 | ----- | Engine, Briggs Model No. 282H07-0239-E1 (See Breakdown) |
| 4 | 137352 | Muffler |
| 13 | 165291 | Gasket |
| 14 | 148456 | Tube Drain Oil Easy |
| 23 | 169837 | Shield Brn/Dbr Guard |
| 25 | 187770X428 | Control, Choke |
| 29 | 137180 | Arrestor, Spark |
| 31 | 187750 | Tank, Fuel |
| 32 | 140527 | Cap Assembly Fuel |
| 33 | 123487X | Clamp, Hose |
| 37 | 137040 | Line, Fuel |
| 38 | 181654 | Plug, Drain Oil Easy |
| 40 | 124028X | Bushing Snap |
| 44 | 17670412 | Screw, Hex Washer Head, Thd., Roll. 1/4-20 x 3/4 |
| 45 | 17000612 | Screw Hex Wsh Thdr 3/8-16 x 3/4 |
| 46 | 19091416 | Washer 9/32 x 7/8 x 16 Ga. |
| 62 | 10010500 | Washer Split |
| 72 | 71070512 | Screw Hex Hd Cap 5/16-18 x 3/4 |
| 78 | 17060620 | Screw 3/8-16 x 1-1/4 |
| 81 | 73510400 | Nut Keps Hex 1/4-20 unc |

NOTE: All component dimensions given in U.S.
inches 1 inch = 25.4 mm

REPAIR PARTS

TRACTOR- -MODEL NO. 917. 277313

MOWER LIFT



lift-rh.1piece_3

REPAIR PARTS

TRACTOR- -MODEL NO. 917. 277313

MOWER LIFT

| KEY NO. | PART NO. | DESCRIPTION |
|---------|-----------|---|
| 1 | 159460 | Lift Lever Inner Wire Assembly |
| 2 | 159471 | Shaft Assembly, Lift |
| 3 | 105767X | Pin, Groove |
| 4 | 12000002 | E-Ring |
| 5 | 19211621 | Washer 21/32 x 1 x 21 Ga. |
| 6 | 120183X | Bearing, Nylon |
| 7 | 125631X | Grip, Handle, Fluted |
| 8 | 122365X | Button, Plunger, Red |
| 11 | 139865 | Link, Lift, L.H. |
| 12 | 139866 | Link, Lift, R.H. |
| 13 | STD624008 | Retainer Spring |
| 15 | 173288 | Link, Front |
| 16 | 73350800 | Nut, Hex, Jam 1/2-13 unc |
| 17 | 175689 | Trunnion |
| 18 | 73800800 | Locknut, Hex, with Washer Insert 1/2-13 unc |
| 19 | 139868 | Arm, Suspension, Rear |
| 20 | 163552 | Retainer Spring |
| 31 | 169865 | Bearing, Pvt, Lift |
| 32 | 73540600 | Nut, Crownlock 3/8-24 |

NOTE: All component dimensions given in U.S. inches
1 inch = 25.4 mm

REPAIR PARTS

TRACTOR- -MODEL NO. 917. 277313

MOWER

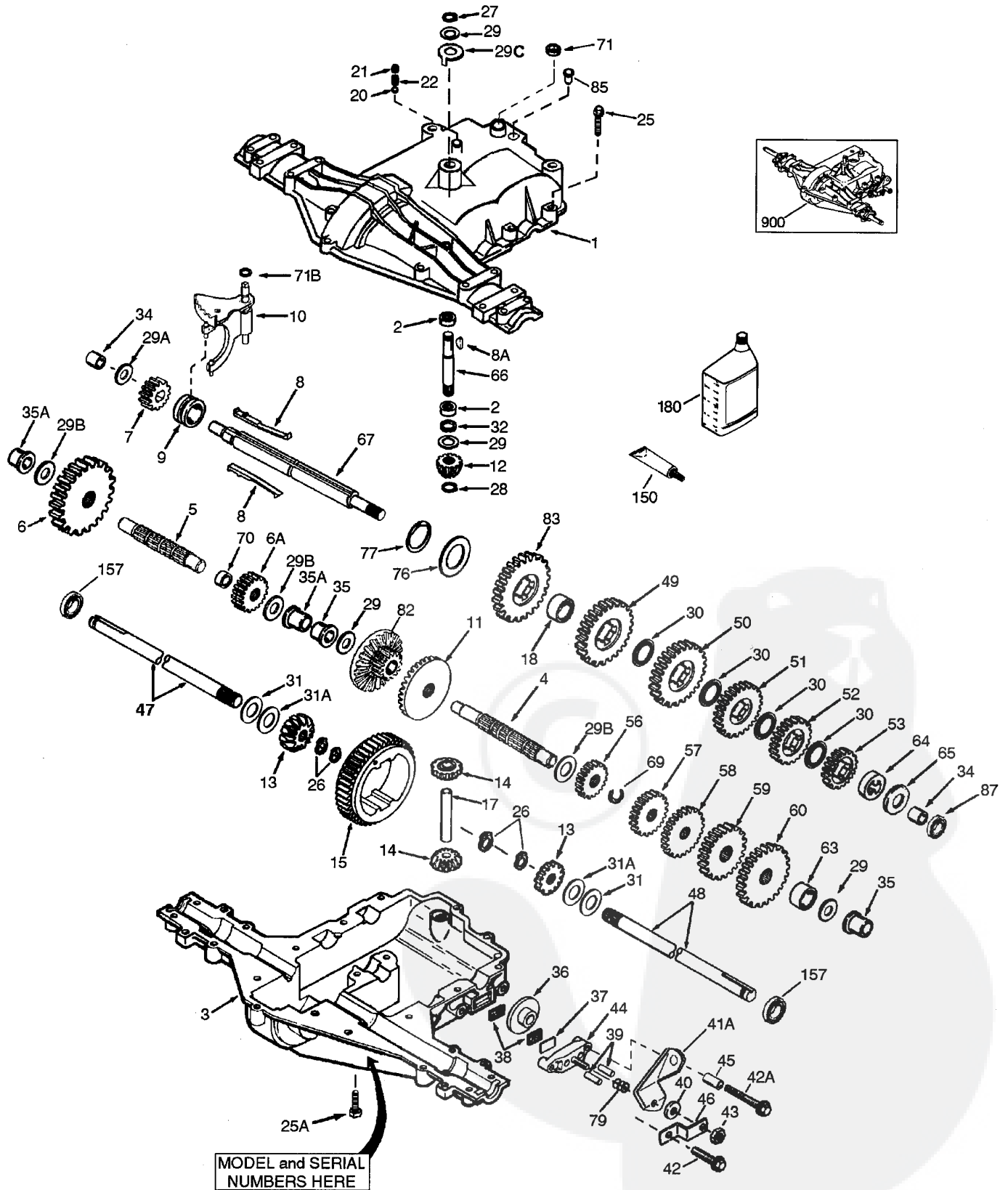
| KEY NO. | PART NO. | DESCRIPTION | KEY NO. | PART NO. | DESCRIPTION |
|---------|------------|--|---------|----------|--|
| 1 | 170280 | Mower Housing Assembly | 88 | 19111216 | Washer 11/32 x 3/4 x 16 Ga. |
| 2 | 72140506 | Bolt, Carriage 5/16-18 x 3/4 | 89 | 19131311 | Washer 13/32 x 13/16 x 11 Ga. |
| 3 | 138017 | Bracket Asm. Fram Sway Bar | 92 | 73800600 | Nut Lock Hex w/Ins. 3/8-16 |
| 4 | 169970 | Bracket, Asm. Deck Sway Bar | 96 | 74930620 | Bolt 3/8-16 x 1-1/4 |
| 5 | 4939M | Retainer, Spring | 97 | 73930600 | Nut Centerlock 3/8-16 |
| 6 | 178024 | Bar Sway Deck | 98 | 19132016 | Washer 13/32 x 1-1/4 x 16 Ga. |
| 8 | 850857 | Bolt, Hex 3/8-24 x 1-1/4 Gr. 8 | 99 | 10040600 | Washer Lock Hvy Hlcl Spr. 3/8 |
| 9 | 10030600 | Washer, Lock, Hlcl Sprg 3/8 | 100 | 135651 | Nut Wing |
| 10 | 140296 | Washer, Hard Blade Mower Vented | 101 | 132803 | Cover Asm Mulching 38" |
| 11 | 134148 | Blade, 38" Mulching Std | 107 | 133502 | Spacer, Retainer |
| 13 | 137645 | Shaft and Bearing Assembly (Includes Key Number 15) | 108 | 133503 | Stiffener, Idler Arm |
| 14 | 128774 | Mandrel Housing, Vented | 109 | 74760640 | Bolt, Hex Head 3/8-16 x2-1/2 |
| 15 | 110485X | Ball Bearing, Mandrel | 110 | 142587 | Upstop Deck Front 38" |
| 16 | 174493 | Stripper, Mower, Vented | 113 | 17060512 | Screw 5/16-18 x 3/4 |
| 19 | 132827 | Bolt, Shoulder | 122 | 131289 | Rod, Brake, LH |
| 21 | 73680500 | Nut, Crownlock 5/16-18 | 123 | 169971 | Rod, Brake, RH |
| 23 | 137607 | Bracket, Mower Deflector | 129 | 19131312 | Washer 13/32 x 13/16 x 12 Ga. |
| 24 | 105304X | Cap, Sleeve | 130 | 74780616 | Bolt Fin Hex 3/8-16 unc x 1 Gr. 5 |
| 25 | 123713X | Spring, Deflector | 131 | 72140608 | Bolt Rdhd Sqnk 3/8-16 unc x 1 |
| 26 | 110452X | Nut, Push | 146 | 165891 | Bolt Carriage Idler |
| 27 | 106736X428 | Shield, Deflector | 148 | 169022 | Spring Return Idler |
| 28 | 19111016 | Washer 11/32 x 3/4 x 16 Ga. | 149 | 165898 | Retainer Spring Yellow Zinc |
| 29 | 106735X | Rod, Hinge | 150 | 19091210 | Washer 9/32 x 3/4 x 10 Ga. |
| 30 | 173984 | Screw, Thdro | 152 | 172758 | Cable Clutch 38 In |
| 31 | 187690 | Washer, Spacer | 158 | 17720408 | Screw Hex Thd Cut 1/4-20 x 1/2 |
| 32 | 153532 | Pulley, Mandrel | 185 | 188234 | Head Asm. Cable Clutch |
| 33 | 178342 | Nut, Flangelock 9/16 | -- | 130794 | Mandrel Assembly (Includes Hous- ing, Shaft and Shaft Hardware Only-Pulley Not Included) |
| 36 | 131494 | Pulley, Idler, Flat | -- | 181209 | Replacement Mower, Complete (Std. Deck - Order separately mulcher cover components key nos. 96-101) |
| 40 | 73680600 | Nut Crownlock 3/8-16 | | | |
| 45 | 4497H | Retainer, Spring | | | |
| 53 | 130840 | Brake Assembly | | | |
| 54 | 178515 | Washer Hardened | | | |
| 55 | 133840 | Idler Arm Assembly | | | |
| 56 | 165723 | Spacer, Retainer | | | |
| 67 | 149846 | Knob | | | |
| 68 | 180214 | Belt | | | |
| 86 | 7631J | Runner, LH | | | |
| 87 | 128772 | Runner, RH | | | |

NOTE: All component dimensions given in U.S. inches
1 inch = 25.4 mm

REPAIR PARTS

TRACTOR- -MODEL NO. 917. 277313

PEERLESS TRANSAXLE - MODEL NUMBER 205-544C



REPAIR PARTS

TRACTOR- -MODEL NO. 917. 277313

PEERLESS TRANSAXLE - MODEL NUMBER 205-544C

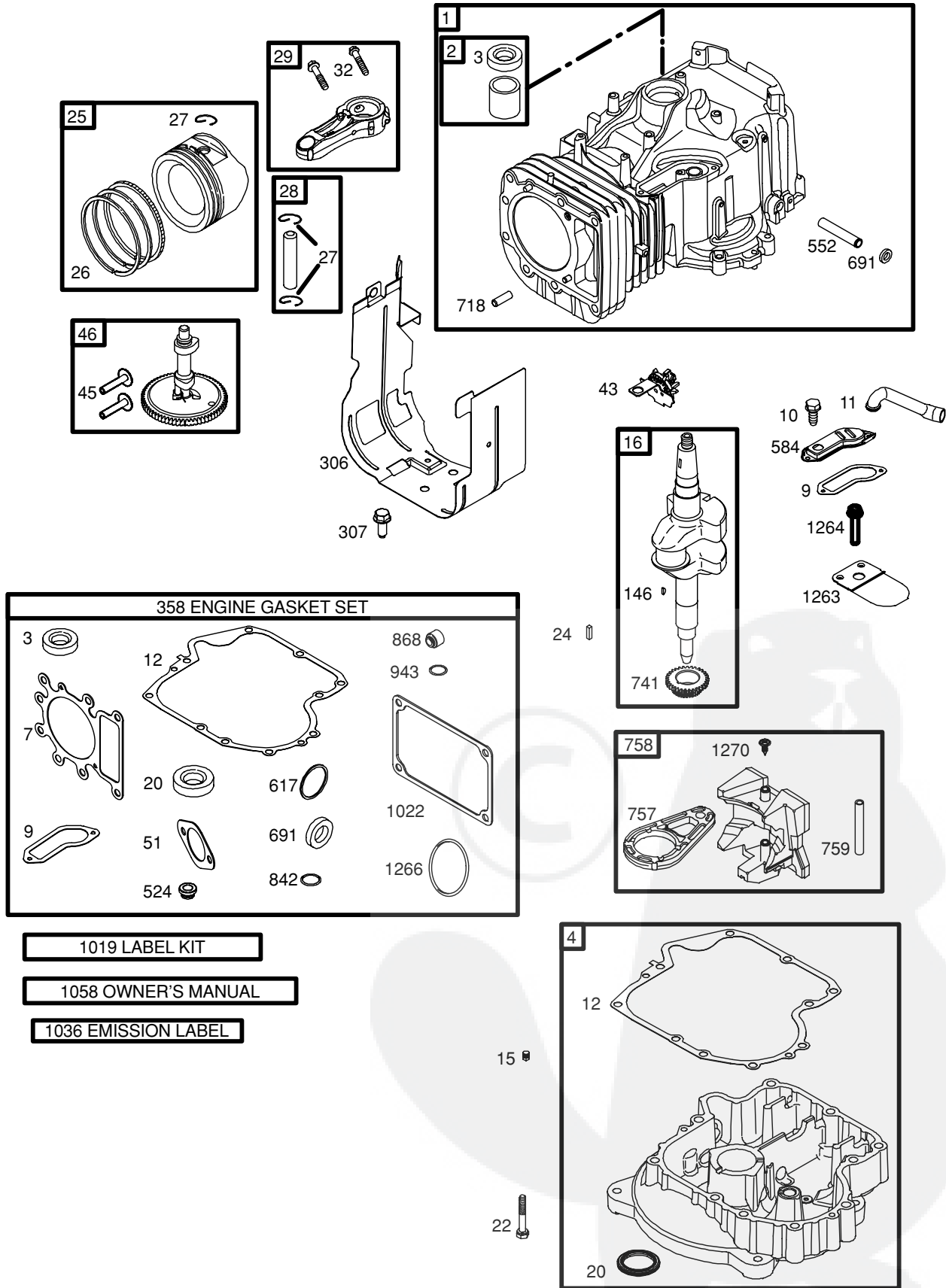
| REF PART | | | REF PART | | |
|----------|---------|---|----------|---------|--|
| NO. | NO. | DESCRIPTION | NO. | NO. | DESCRIPTION |
| 1 | 772147 | Transaxle Cover | 39 | 786026 | Dowel Pin |
| 2 | 780086A | Needle Bearing 5 / 8" | 40 | 792076A | Flat Washer .312 ID x .059W |
| 3 | 770128 | Transaxle Case | 41A | 790079 | Brake Lever |
| 4 | 776395 | Countershaft | 42 | 792073A | Screw 1 / 4 - 20 x 1 - 1 / 4" |
| 5 | 776409 | Output Shaft | 42A | 792085A | Screw 1 / 4 - 20 x 2 - 1 / 4" |
| 6 | 778364 | Spur Gear (38 teeth) | 43 | 792075 | Locknut 5 / 16 - 24 |
| 6A | 778369 | Spur Gear (15 teeth) | 44 | 790025 | Brake Pad Holder |
| 7 | 778330 | Spur Gear (11 teeth) | 45 | 786066 | Spacer .2625 x 1.0 |
| 8 | 792180 | Shift Key | 46 | 786086 | Brake Lever Bracket |
| 8A | 792047 | Woodruff Key #9 | 47 | 774690 | Axle (11 - 15 / 16 " long) |
| 9 | 784352 | Shift Collar | 48 | 774691 | Axle (16 - 1 / 2" long) |
| 10 | 784378 | Shift Rod & Fork | 49 | 778356 | Spur Gear (29 teeth) |
| 11 | 778334 | Bevel Gear (30 teeth) | 50 | 778354 | Spur Gear (23 teeth) |
| 12 | 778309 | Input Bevel Pinion (13 teeth) | 51 | 778352 | Spur Gear (19 teeth) |
| 13 | 778368 | Bevel Gear (13 teeth) (Include. 14) | 52 | 778350 | Spur Gear (16 teeth) |
| 14 | 778368 | Bevel Pinion (13 teeth) (Include 13) | 53 | 778346 | Spur Gear (15 teeth) |
| 15 | 778370 | Ring Gear (43 teeth) | 53 | 778346 | Spur Gear (15 teeth - steel) |
| 17 | 786188 | Drive Pin | 56 | 778355 | Spur Gear (11 teeth) |
| 18 | 786102 | Spacer 1.130 x .695 | 57 | 778353 | Spur Gear (17 teeth) |
| 20 | 792077A | Ball 5 / 6" dia | 58 | 778351 | Spur Gear (21 teeth) |
| 21 | 792078 | Set Screw 3 / 8-16 x 3 / 8" | 59 | 778349 | Spur Gear (24 teeth) |
| 22 | 792079 | Spring .310 OD x .625 L | 60 | 778345 | Spur Gear (25 teeth) |
| 25 | 792073A | Screw 1/4 - 20 x 1-1 / 4" | 63 | 786071 | Countershaft Spacer 1 - 1 / 8" x 3/8" |
| 25A | 792177 | Screw 1 / 4 - 20 x 1 - 3 / 8" | 64 | 786072 | Brake Shaft Spacer 1 - 3 / 8" x 3 / 8" |
| 26 | 792125 | Retaining Ring (pkg of 2) | 65 | 780189 | Flat Washer .563 ID x .062W |
| 27 | 792035 | Retaining Ring | 66 | 776422 | Input shaft |
| 28 | 788040 | Retaining Ring | 67 | 776396 | Shifter & Brake shaft |
| 29 | 780072 | Thrust Washer .627 ID x .031W | 69 | 792170 | Retaining Ring |
| 29A | 780160 | Thrust Washer .563 ID x .031W | 70 | 786187 | Spacer .890 |
| 29B | 780051 | Thrust Washer .762 ID x .031W | 71 | 788069 | Square Cut Ring |
| 29C | 780199 | Anti -Rotation Washer .632 | 71B | 788092 | "O" Ring |
| 30 | 780108 | Cup Washer 1.127 ID x .032W | 76 | 780090 | Flat Washer 1.128 ID x .058W |
| 31 | 780001 | Flat Washer .750 ID x .056 (Use as Needed) | 77 | 788078A | Inverted Retaining Ring |
| 31A | 780195 | Flat Washer .750 ID x .062W | 79 | 792144 | Spring .430 OD x .5000 L |
| 32 | 788083 | Oil Seal 5 / 8" | 82 | 778333 | Bevel & Spur Gear (30 & 13 teeth) |
| 34 | 780194 | Bushing .563 | 83 | 778338 | Spur Gear (27 teeth) |
| 35 | 780193 | Flanged Bushing 5 / 8" ID | 85 | 792154 | Oil Fill Plug |
| 35A | 780197 | Flanged Bushing .751 | 87 | 788089A | Oil Seal 9 / 16" |
| 36 | 790075 | Brake Disk | 150 | 788093A | Liquid Gasket RTV Silicone |
| 37 | 790007 | Brake Pad Plate | 157 | 788088A | Oil Seal 3 / 4" |
| 38 | 799021 | Brake Pad (pkg of 2) | 180 | 730229A | Gear Oil 80W90 |
| | | | 900 | 794711 | Replacement MST-205-544C Transaxle |

NOTE: All component dimensions given in U.S. inches
1 inch = 25.4 mm

REPAIR PARTS

TRACTOR- -MODEL NO. 917. 277313

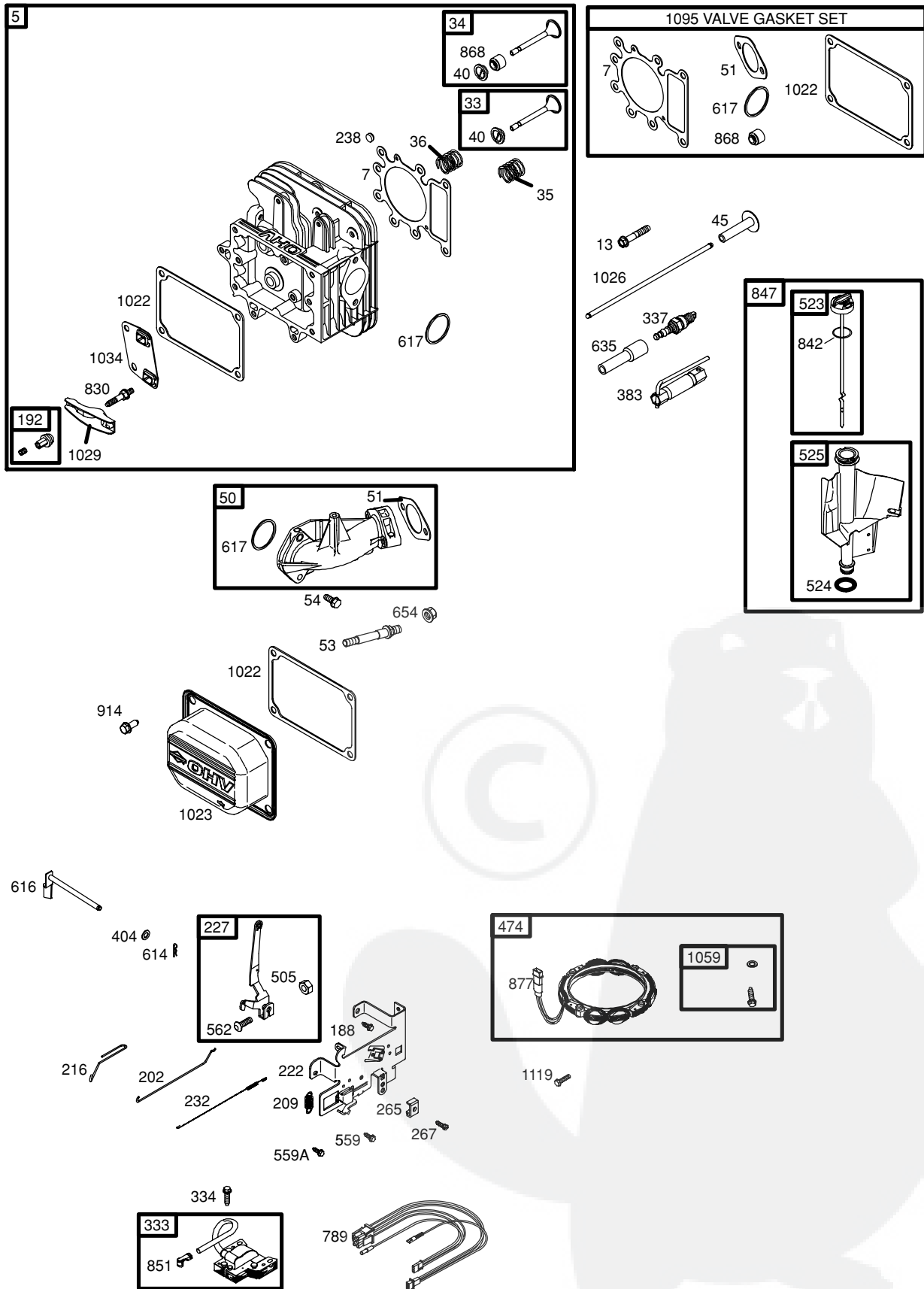
BRIGGS & STRATTON ENGINE - - MODEL NUMBER 282H07, TYPE NUMBER 0239-E1



REPAIR PARTS

TRACTOR- -MODEL NO. 917. 277313

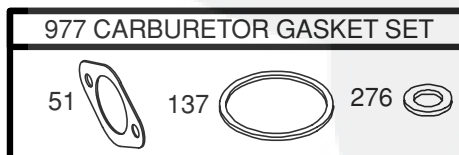
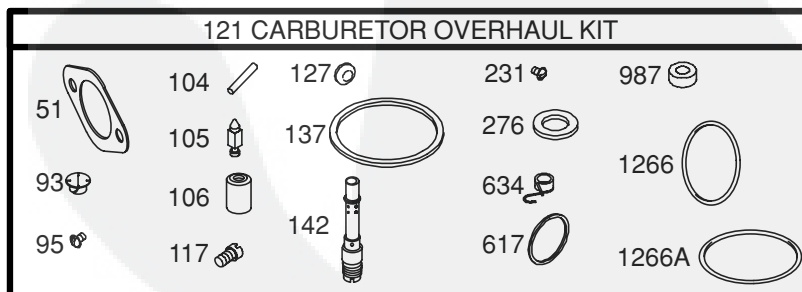
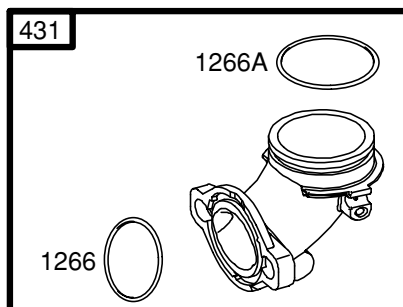
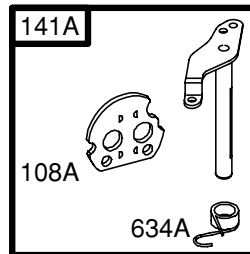
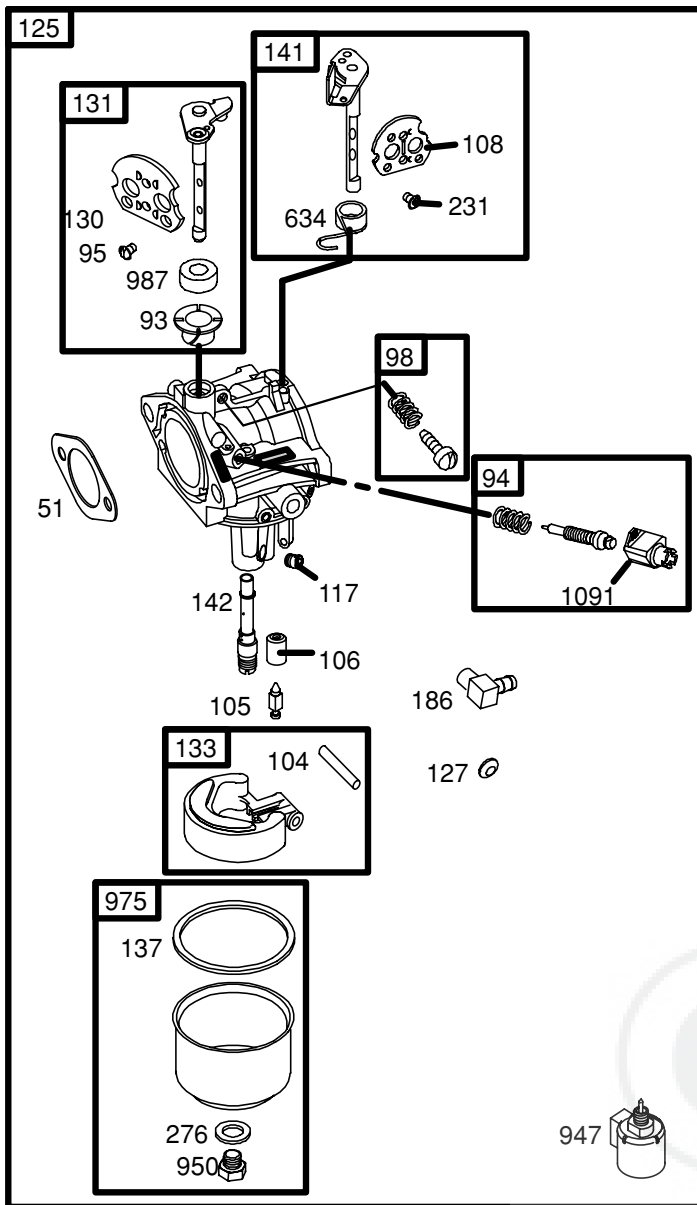
BRIGGS & STRATTON ENGINE - - MODEL NUMBER 282H07, TYPE NUMBER 0239-E1



REPAIR PARTS

TRACTOR- -MODEL NO. 917. 277313

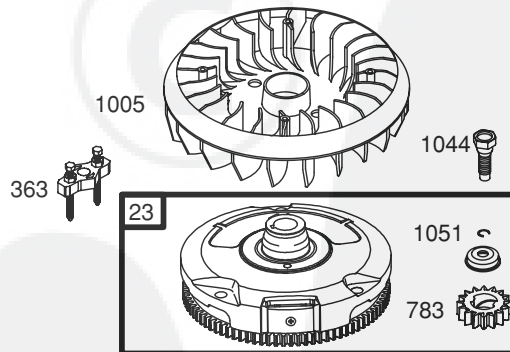
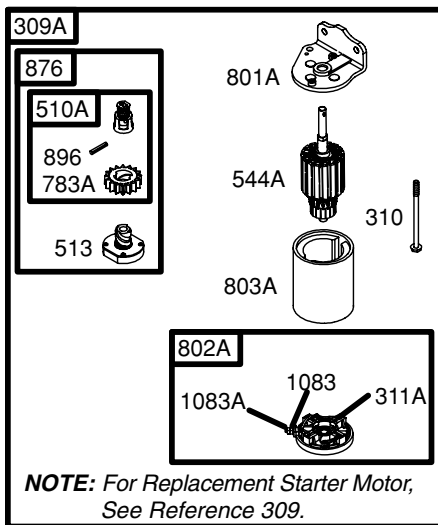
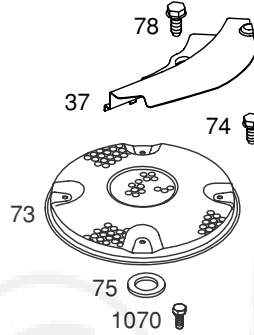
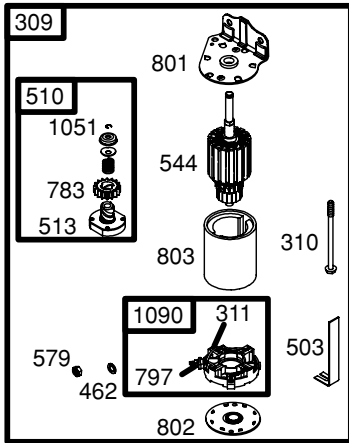
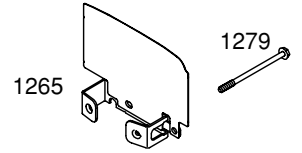
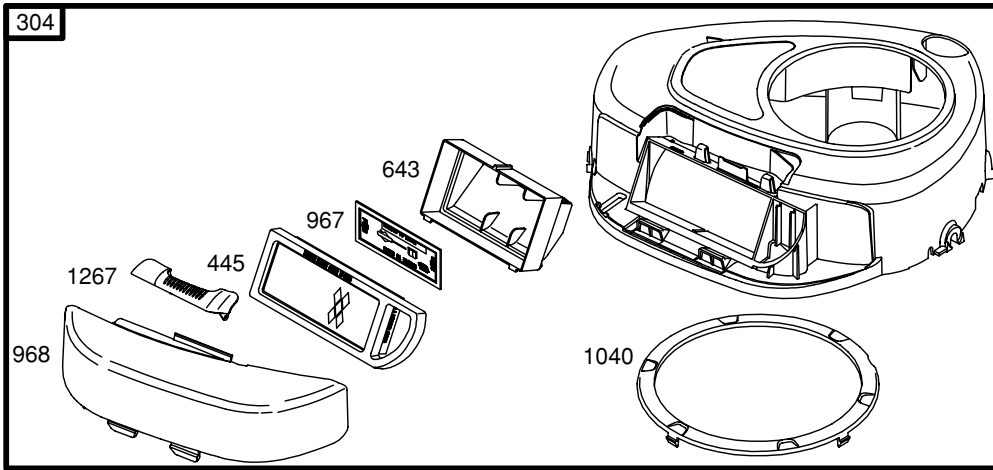
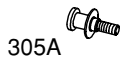
BRIGGS & STRATTON ENGINE - - MODEL NUMBER 282H07, TYPE NUMBER 0239-E1



REPAIR PARTS

TRACTOR- -MODEL NO. 917. 277313

BRIGGS & STRATTON ENGINE - - MODEL NUMBER 282H07, TYPE NUMBER 0239-E1



REPAIR PARTS

TRACTOR- -MODEL NO. 917. 277313

BRIGGS & STRATTON ENGINE - - MODEL NUMBER 282H07, TYPE NUMBER 0239-E1

| KEY NO. | PART NO. | DESCRIPTION | KEY NO. | PART NO. | DESCRIPTION |
|---------|----------|--|---------------|----------|---|
| 1 | 697132 | Cylinder Assembly | 108 | 690464 | Valve-Choke (Manual Choke) |
| 2 | 399265 | Kit-Bushing/Seal (Magneto Side) | 108A | 692344 | Valve-Choke (Choke A Matic) |
| 3 | 391086 | • Seal-Oil (Magneto Side) | 117 | 694352 | Ø Jet-Main (Standard) |
| 4 | 697106 | Sump-Engine | 118 | 697228 | Jet-Main (High Altitude) |
| 5 | 698148 | Head-Cylinder | 121 | 697241 | Kit-Carburetor Overhaul |
| 7 | 273280 | •+ Gasket-Cylinder Head | 125 | 697190 | Carburetor |
| 9 | 697109 | • Gasket-Breather | 127 | 695005 | Plug-Welch |
| 10 | 697157 | Screw (Breather Assembly) | 130 | 691750 | Valve-Throttle |
| 11 | 697113 | Tube-Breather | 131 | 494379 | Kit-Throttle Shaft |
| 12 | 697110 | • Gasket-Crankcase | 133 | 494381 | Float-Carburetor |
| 13 | 690360 | Screw (Cylinder Head) | 137 | 281165 | Ø‡ Gasket-Float Bowl |
| 15 | 690946 | Plug-Oil Drain | 141 | 495097 | Kit-Choke Shaft (Manual Choke) |
| 16 | 697127 | Crankshaft | 141A | 495931 | Kit-Choke Shaft (Choke A Matic) |
| 20 | 690947 | • Seal-Oil (PTO Side) | 142 | 697140 | Ø Nozzle-Carburetor |
| 22 | 692125 | Screw (Crankcase Cover/Sump) | 146 | 691639 | Key-Timing |
| 23 | 693557 | Flywheel | 186 | 698174 | Connector-Hose |
| 24 | 222698 | Key-Flywheel | 187 | 697098 | Line-Fuel |
| 25 | 697114 | Piston Assembly (Standard) | 188 | 691693 | Screw (Control Bracket) |
| | 697116 | Piston Assembly (.010" Oversize) | 192 | 691986 | Adjuster-Rocker Arm |
| | 697117 | Piston Assembly (.020" Oversize) | 202 | 691841 | Link-Mechanical Governor |
| | 697118 | Piston Assembly (.030" Oversize) | 209 | 692208 | Spring-Governor |
| 26 | 697115 | Ring Set (Standard) | 216 | 691840 | Link-Choke |
| | 697119 | Ring Set (.010" Oversize) | 222 | 694042 | Bracket-Control |
| | 697120 | Ring Set (.020" Oversize) | 227 | 691374 | Lever-Governor Control |
| | 697121 | Ring Set (.030" Oversize) | 231 | 691636 | Screw (Choke Valve) |
| 27 | 698469 | Lock-Piston Pin | 232 | 691842 | Spring-Governor |
| 28 | 697099 | Pin-Piston | 238 | 691843 | Cap-Valve |
| 29 | 697126 | Rod-Connecting (Standard) | 240 | 394358 | Filter-Fuel |
| 32 | 692852 | Screw (Connecting Rod) | 265 | 691024 | Clamp-Casing |
| 33 | 495856 | Valve-Exhaust | 267 | 695134 | Screw (Casing Clamp) |
| 34 | 495857 | Valve-Intake | 276 | 692255 | Ø‡ Washer-Sealing |
| 35 | 691279 | Spring-Valve (Intake) | 304 | 698402 | Housing-Blower |
| 36 | 691279 | Spring-Valve (Exhaust) | 305 | 697102 | Screw (Blower Housing) |
| 37 | 697352 | Guard-Flywheel | 305A | 697103 | Screw (Blower Housing) |
| 40 | 691752 | Retainer-Valve | 306 | 697107 | Shield-Cylinder |
| 43 | 691968 | Slinger-Governor/Oil | 307 | 691003 | Screw (Cylinder Shield) |
| 45 | 690564 | Tappet-Valve | 309 | 693551 | Motor-Starter |
| 46 | 697687 | Camshaft | 309A | --- | Motor-Starter (For Replacement Starter Motor, See Reference 309) |
| 48 | 697761 | Short Block (31C707-0230-E2 Replacement Engine-art not available) | 310 | 690323 | Bolt (Starter Motor) |
| 50 | 690193 | Manifold-Intake | 311 | 497608 | Brush Set |
| 51 | 692137 | •Ø‡+ Gasket-Intake | 311A | 395538 | Brush Set |
| 53 | 690227 | Stud (Carburetor) | 333 | 492341 | Armature-Magneto |
| 54 | 691148 | Screw (Intake Manifold) | 334 | 691061 | Screw (Magneto Armature) |
| 73 | 697384 | Screen-Rotating | 337 | 691043 | Plug-Spark |
| 74 | 697987 | Screw (Rotating Screen) | 358 | 697151 | Gasket Set-Engine |
| 75 | 690582 | Washer (Flywheel) | 363 | 19203 | Flywheel Puller |
| 78 | 691003 | Screw (Flywheel Guard) | 383 | 89838 | Wrench-Spark Plug |
| 93 | 690602 | Ø Bushing-Throttle Shaft | RPM Settings: | | Low Speed: 1900-2100 |
| 94 | 498030 | Kit-Idle Mixture | | | High Speed: 3000-3200 |
| 95 | 691636 | Screw (Throttle Valve) | | | |
| 98 | 495800 | Kit-Idle Speed | | | |
| 104 | 690525 | Ø Pin-Float Hinge | | | |
| 105 | 231855 | Ø Valve-Float Needle | | | |
| 106 | 690577 | Ø Seat-Inlet | | | |

- Included in Engine Gasket Set, Key. No. 358
- Ø Included in Carburetor Overhaul Kit, Key. No. 121
- ‡ Included in Carburetor Gasket Set, Key. No. 977
- + Included in Valve Gasket Set, Key. No. 1095

NOTE: All component dimensions given in U.S. inches 1 inch = 25.4 mm

REPAIR PARTS

TRACTOR- -MODEL NO. 917. 277313

BRIGGS & STRATTON ENGINE - - MODEL NUMBER 282H07, TYPE NUMBER 0239-E1

| KEY NO. | PART NO. | DESCRIPTION | KEY NO. | PART NO. | DESCRIPTION |
|---------|----------|--|---------|----------|---|
| 404 | 691691 | Washer (Governor Crank) | 868 | 690968 | •+ Seal-Valve |
| 431 | 697122 | Elbow-Intake | 876 | 495877 | Kit-Pinion Spring |
| 445 | 698083 | Filter-Air Cleaner Cartridge | 877 | 393456 | Wire-Connector/Alternator |
| 462 | 691261 | Washer (Starter Cable) | 896 | 691641 | Pin-Drive Retainer |
| 474 | 696459 | Alternator | 914 | 690960 | Screw (Rocker Cover) |
| 503 | 691532 | Strap-Starter | 947 | 694393 | Solenoid-Fuel |
| 505 | 691251 | Nut (Governor Control Lever) | 950 | 691657 | Screw (Float Bowl) |
| 510 | 693699 | Drive-Starter | 967 | 697015 | Filter-Pre Cleaner |
| 510A | 497606 | Drive-Starter | 968 | 698403 | Cover-Air Cleaner |
| 513 | 692024 | Clutch-Drive | 975 | 495933 | Bowl-Float |
| 523 | 697086 | Dipstick | 977 | 690192 | Gasket Set-Carburetor |
| 524 | 691032 | • Seal-Dipstick Tube | 987 | 691326 | ∅ Seal-Throttle Shaft |
| 525 | 697184 | Tube-Dipstick | 1005 | 697853 | Fan-Flywheel |
| 544 | 692034 | Starter-Armature | 1019 | 697143 | Kit-Label |
| 544A | 390837 | Starter-Armature | 1022 | 272475 | •+ Gasket-Rocker Cover |
| 552 | 697144 | Bushing-Governor Crank | 1023 | 692492 | Cover-Rocker Arm |
| 559 | 697561 | Screw (Remote Choke) | 1026 | 692003 | Rod-Push (Intake) |
| 559A | 693675 | Screw (Remote Choke) | -- -- | 692011 | Rod-Push (Exhaust) |
| 562 | 691119 | Bolt (Governor Control Lever) | 1029 | 691751 | Arm-Rocker |
| 579 | 691029 | Nut (Starter Cable) | 1034 | 690822 | Guide-Push Rod |
| 584 | 697112 | Cover-Breather Passage | 1036 | 695700 | Label-Emission |
| 601 | 95162 | Clamp-Hose | 1040 | 698368 | Plate-Trim |
| 614 | 691620 | Pin-Cotter | 1044 | 691658 | Screw (Flywheel) |
| 616 | 692012 | Crank-Governor | 1051 | 691265 | Ring-Retaining |
| 617 | 692138 | ∅ • Seal-O Ring (Intake Manifold) | 1058 | 275038 | Owner's Manual |
| 634 | 690801 | ∅ Spring/Seal Assembly (Manual Choke) | 1059 | 698516 | Kit-Screw/Washer |
| 634A | 690802 | ∅ Spring/Seal Assembly (Choke A Matic) | 1070 | 690372 | Screw (Flywheel Fan) |
| 635 | 691909 | Boot-Spark Plug | 1083 | 691626 | Nut (Starter Terminal) |
| 643 | 698401 | Retainer-Air Filter | 1083A | 690958 | Nut (Starter Terminal) |
| 654 | 690958 | Nut (Carburetor) | 1090 | 691293 | Retainer-Brush |
| 691 | 692407 | • Seal-Governor Shaft | 1091 | 691333 | Cap-Limiter |
| 697 | 690372 | Screw (Drive Cap) | 1095 | 691581 | Gasket Set-Valve |
| 718 | 690959 | Pin-Locating | 1119 | 691183 | Screw (Alternator) |
| 729 | 691224 | Clip-Wire | 1263 | 697124 | Reed-Breather |
| 741 | 697128 | Gear-Timing | 1264 | 697104 | Screw (Breather Reed) |
| 757 | 697607 | Link-Counterweight | 1265 | 697125 | Support-Blower Housing |
| 758 | 697134 | Counterweight | 1266 | 691917 | •∅ Seal-O Ring (Intake Elbow) |
| 759 | 697392 | Pin-Counterweight | 1266A | 697123 | ∅ Seal-O Ring(Intake Elbow) |
| 783 | 693713 | Gear-Pinion | 1267 | 697575 | Latch-Blower Housing |
| 783A | 693059 | Gear-Pinion | 1270 | 697156 | Plug-AVS Counterweight |
| 789 | 698329 | Harness-Wiring | 1279 | 690960 | Screw (Blower Housing Support) |
| 797 | 693167 | Nut (Brush Retainer) | | | Low Speed: 1900-2100 |
| 801 | 691283 | Cap-Drive | | | High Speed: 3000-3200 |
| 801A | 394856 | Cap-Drive | | | |
| 802 | 691286 | Cap-End | | | |
| 802A | 395537 | Cap-End | • | | Included in Engine Gasket Set, Key. No. 358 |
| 803 | 693757 | Housing-Starter | ∅ | | Included in Carburetor Overhaul Kit, Key. No. 121 |
| 803A | 398159 | Housing-Starter | ‡ | | Included in Carburetor Gasket Set, Key. No. 977 |
| 830 | 691095 | Stud (Rocker Arm) | + | | Included in Valve Gasket Set, Key. No. 1095 |
| 842 | 691031 | • Seal-O Ring (Dipstick Tube) | | | |
| 847 | 697611 | Dipstick/Tube Assembly | | | |
| 851 | 692424 | Terminal-Spark Plug | | | |

NOTE: All component dimensions given in U.S. inches 1 inch = 25.4 mm

LIMITED WARRANTY ON CRAFTSMAN RIDING EQUIPMENT

For two (2) years from the date of purchase, if this Craftsman Riding Equipment is maintained, lubricated and tuned up according to the instructions in the owner's manual, Sears will repair or replace free of charge any parts that are found to be defective in material or workmanship according to the guidelines of coverage listed below. Sears will also provide free labor for these applicable warranted parts for 2 full years. During the first 30 days of purchase, there will be no charges to service the product at your home for issues covered by this warranty. (See exclusions below). For your convenience, IN HOME warranty service will still be available after the first 30 days of purchase, but a trip charge will apply. This charge will be waived if the Craftsman product is dropped off at an authorized Sears location. For the nearest authorized Sears location, please call 1-800-4-MY-HOME®. This warranty applies only while this product is within the United States.

This Warranty does not cover:

- Expendable items which become worn during normal use, including but not limited to blades, spark plugs, air cleaners, belts, and oil filters.
- Standard Maintenance Servicing, oil changes, or tune-ups
- Tire replacement or repair caused by punctures from outside objects, such as nails, thorns, stumps, or glass.
- Repairs necessary because of operator abuse, including but not limited to, damage caused by towing objects beyond the capability of the riding equipment, impacting objects that bend the frame or crankshaft, or over-speeding the engine.
- Repairs necessary because of operator negligence, including but not limited to, electrical and mechanical damage caused by improper storage, failure to use the proper grade and amount of engine oil, failure to keep the deck clear of flammable debris, or failure to maintain the equipment according to the instructions contained in the owner's manual.
- Engine (fuel system) cleaning or repairs caused by fuel determined to be contaminated or oxidized (stale). In general, fuel should be used within 30 days of its purchase date.
- Normal deterioration and wear of the exterior finishes, or product label replacement.
- Riding equipment used for commercial or rental purposes.

LIMITED WARRANTY ON BATTERY

For ninety (90) days from date of purchase, if any battery included with this riding equipment proves defective in material or workmanship and our testing determines the battery will not hold a charge, Sears will replace the battery at no charge. During the first 30 days of purchase, there will be no charges to replace the battery at your HOME. After the first 30 days, for your convenience, IN-HOME warranty service will still be available but a trip charge will apply. This charge will be waived if the Craftsman product is dropped off at an authorized Sears location. For the nearest authorized Sears location, please call 1-800-4-MY-HOME®.

This battery warranty applies only while this product is within the United States.

This warranty gives you specific legal rights, and you may also have other rights, which vary, from state to state.

Sears, Roebuck and Co., Dept. 817WA, Hoffman Estates, IL 60179

