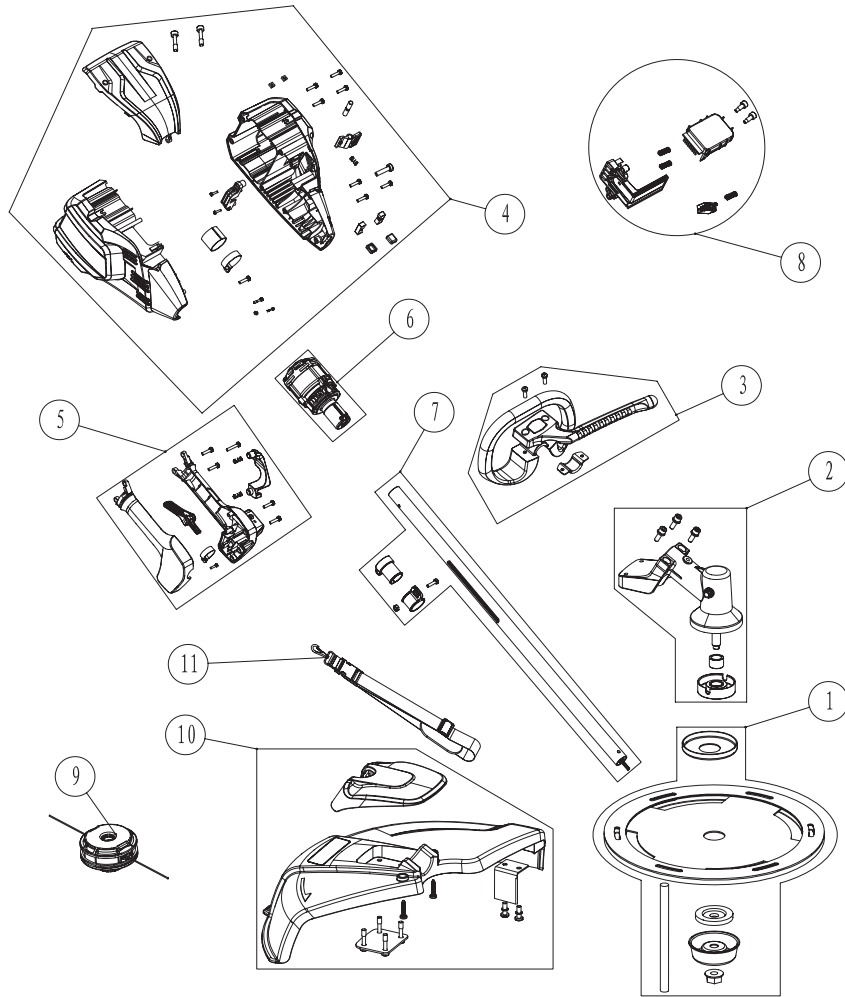
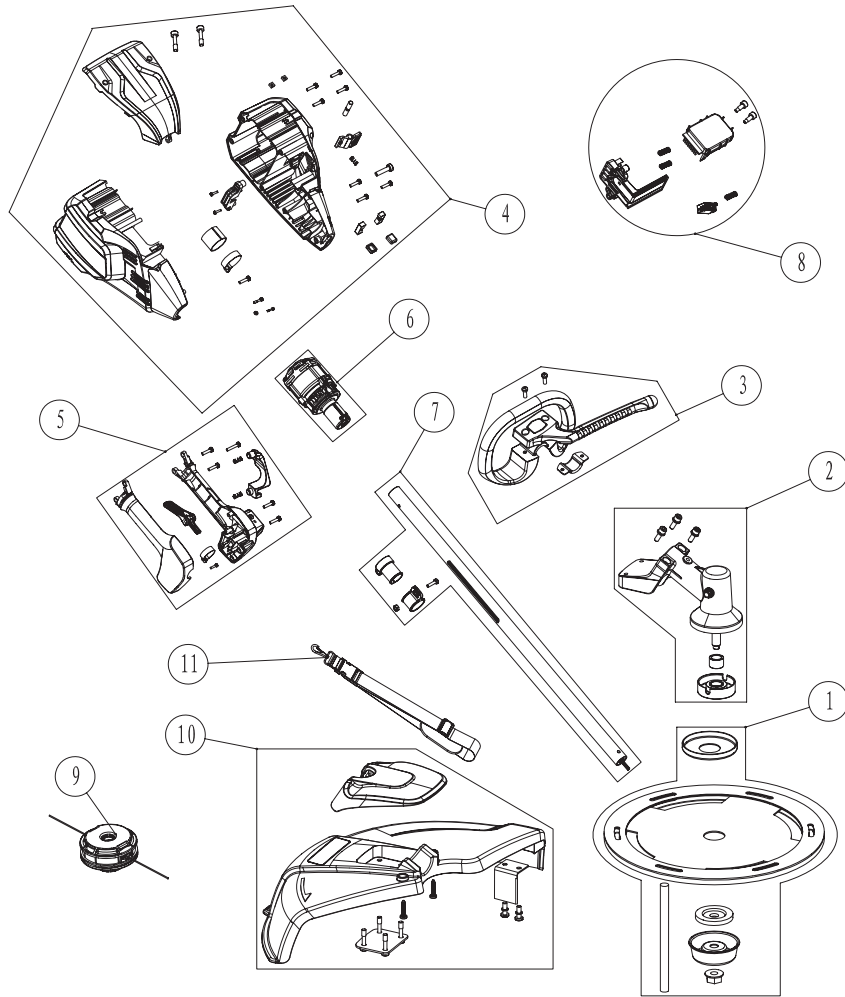


CRAMER String Trimmer 82T 2100586



POSITION	PNC	DESCRIPTION	QTY	UOM
1	RA33313836	Blade assembly	1	set
1-1		Blade nut	1	pcs
1-2		Tool rod	1	pcs
1-3		Nut cap	1	pcs
1-4		Blade	1	pcs
1-5		Blade clamp plate	1	pcs
1-6		Grass deflector bowl	1	pcs
1-7		Sheath	1	pcs
2	RA311601418A	Gear case assembly	1	set
2-1		Gearbox assembly	1	set
2-2		Blade mounting holder	1	pcs
2-3		Bushing	1	pcs
2-4		Bolt M5*15	3	pcs
3	RA311221418	Auxiliary handle assembly	1	set
3-1		Bolt M5x25	2	pcs
3-2		Clamp plate	1	pcs
3-3		Auxiliary handle (black)	1	pcs
3-4		Gear lever (black)	1	pcs
3-5		Rubber ring	1	pcs
3-6		Square rubber pad	1	pcs
4	RA311012470	Housing assembly	1	set
4-1		Housing assembly	1	set
4-2		Screw M4X12	2	pcs
4-3		Pin	1	pcs
4-4		Screw M4x15	1	pcs
4-5		Screw ST4.0X25-F	1	pcs
4-6		Screw ST4*16-F	8	pcs
4-7		Screw M5X8	1	pcs
4-8		Screw ST4*12-F	2	pcs
4-9		Spring washer φ4 HSF	1	pcs
4-10		Square nut	2	pcs
4-11		Hoop	1	pcs
4-12		Spring	1	pcs

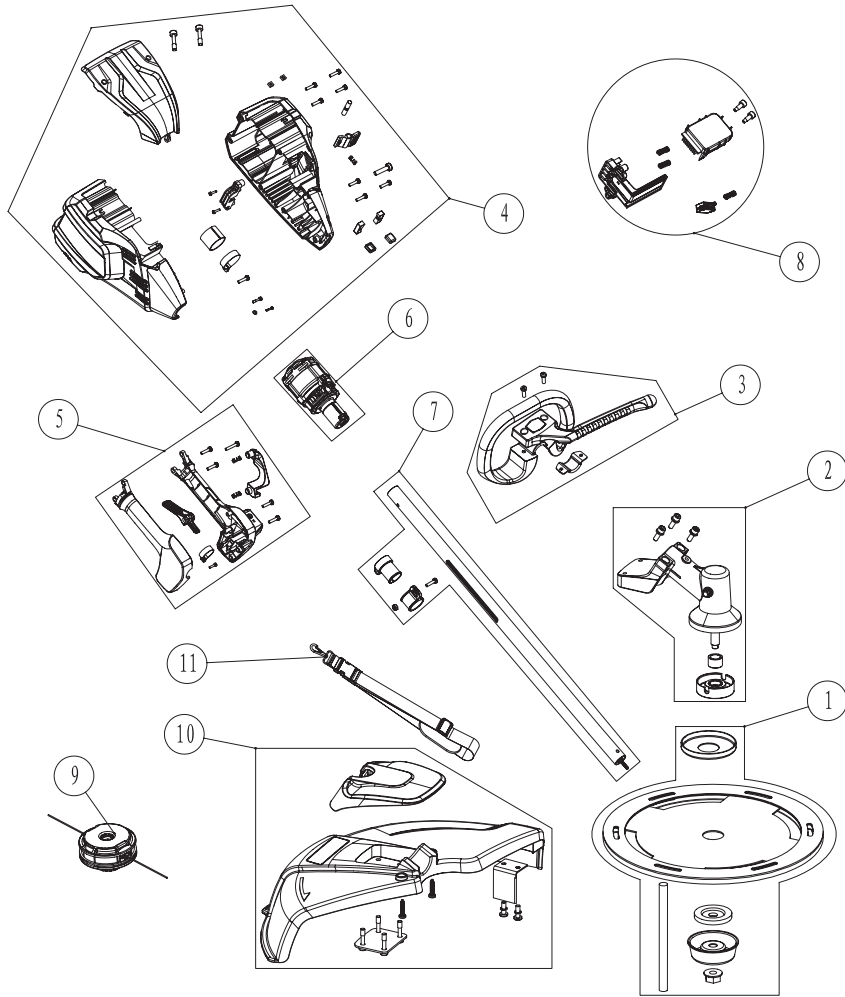
CRAMER String Trimmer 82T 2100586



POSITION	PNC	DESCRIPTION	QTY	UOM
4-13		Housing cover	1	pcs
4-14		Clamp plate	1	pcs
4-15		Battery button	1	pcs
4-16		Clip tube rubber pad	1	pcs
4-17		Screw M5*15	3	pcs
4-18		Motor tube	1	pcs
4-19		Motor rubber plate	1	pcs
5	RA311062470	Handle assembly	1	set
5-1		Handle assembly	1	set
5-2		Screw ST4.0X30	1	pcs
5-3		Screw ST4*16-F	5	pcs
5-4		Hoop	1	pcs
5-5		Spring	1	pcs
5-6		Spring 2	1	pcs
5-7		Reverse self-locking	1	pcs
5-8		Switch trigger	1	pcs
5-9		Switch spring	1	pcs
6	RA361011457	Motor assembly	1	set
6-1		Motor	1	pcs
7	RA311042470	Tube assembly	1	set
7-1		Strap buckle (black) As assy	1	pcs
7-2		Strap clip tube (black)As assy	1	pcs
7-3		Rod assembly	1	pcs
7-4		Screw M5x18 As assy	1	set
7-5		Nut M5 As assy	1	pcs
8	RA311032470	PCB assembly	1	set
8-1		Screw ST3.5*12	2	pcs
8-2		Spring	2	pcs
8-3		Insert holder (for three inserts)	1	pcs
8-4		Nylon tie	1	pcs
8-5		Shrinkable tube	42.5	cm
8-6		Cylindrical magnetic ring	1	pcs
8-7		PCB	1	pcs
8-8		U pin 3*4	1	set



String Trimmer 82T 2100586



POSITION	PNC	DESCRIPTION	QTY	UOM
8-9		Speed switch	1	pcs
8-10		Shrinkable tube $\varnothing 25$	4	cm
9	RA311121410AV	String head assembly	1	set
9-1		String head assembly	1	pcs
10	RA311052470	Guard assembly	1	set
10-1		Screw	2	pcs
10-2		Spring washer 5	2	pcs
10-3		Clamp plate	1	pcs
10-4		Two-way blade	1	pcs
10-5		Bolt	4	pcs
10-6		Screw	2	pcs
10-7		Guard cover	1	pcs
10-8		Guard	1	pcs
11	RA349013033	Harness assembly	1	set
11-1		Harness assembly	1	pcs

