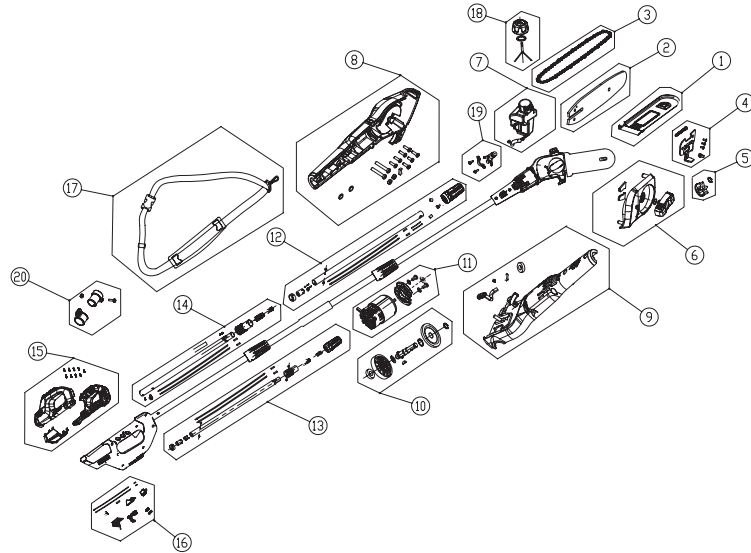



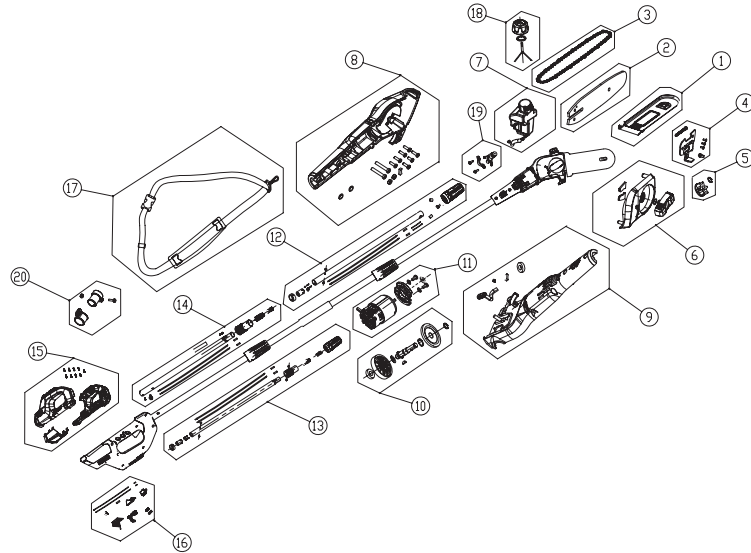
Pole Saw 40PS 1400286




POSITION	PNC	DESCRIPTION	QTY	UOM
1	RA34112320H	8 inch sheath	1	set
1-1		8 inch sheath	1	pcs
2	RA32902320H	8" guide plate	1	set
2-1		8" guide plate	1	pcs
3	RA32901320	8 inch cutter chain	1	set
3-1		8 inch cutter chain	1	pcs
4	RA333221071	Tensioner assembly	1	set
4-1		Screw	1	pcs
4-2		Plate	1	pcs
4.-3		Screw	3	pcs
4-4		Chain Tension Bolt	1	pcs
5	RA33902102V2	Sprocket assembly	1	set
5-1		6 tooth sprocket	1	pcs
5-2		spring $\phi 10$	1	pcs
6	RA34116586H	Side cover assembly	1	set
6-1		Side cover	1	pcs
6-2		Oil washer	2	pcs
6-3		button	1	pcs
6-4		steel wire ring	1	pcs
7	RA34111586V1	Oiler assembly	1	set
7-1		Oiler	1	pcs
7-8		Oil inlet tube	1	pcs
7-9		tie	2	pcs
8	RA34101582H	Left housing assembly	1	set
8-1		Left housing	1	pcs
8-2		Rubber shockproof plate	1	pcs
8-3		Screw	7	pcs
8-4		ScrewM6*30	2	pcs
8-5		Nut M6	2	pcs
8-6		washer	2	pcs
9	RA34102582H	Right housing assembly	1	set
9-1		Right housing	1	pcs
9-2		Rubber shockproof plate	1	pcs
9-3		6900bearing	1	pcs



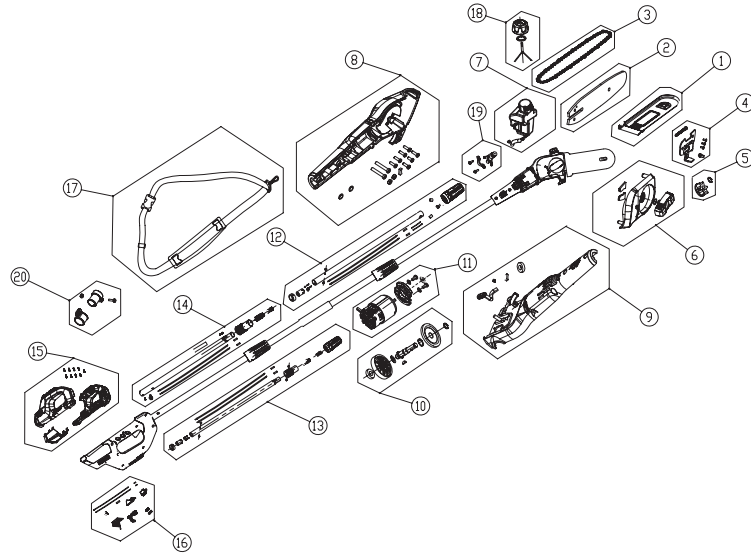
Pole Saw 40PS 1400286



POSITION	PNC	DESCRIPTION	QTY	UOM
9-4		Oil outlet tube	1	pcs
9-5		tie	1	pcs
9-6		washer	1	pcs
10	RA33202152	output shaft assembly	1	set
10-1		3*3.7*φ10 semicircle key	1	pcs
10-2		6900bearing	1	pcs
10-3		bigger gear shaft	1	pcs
10-4		bigger bevel gear	1	pcs
10-5		Cam	1	pcs
10-6		Axle circlip	1	pcs
10-7		Wave-shaped washer	1	pcs
10-8		Washer	1	pcs
10-9		Oil	0.01	KG
11	RA36101622	motor assembly	1	set
11-1		40V pole saw 887 DC motor	1	pcs
11-2		Motor mounting plate	1	pcs
11-3		Cross recess pan head screw	2	pcs
11-4		Small bevel gear	1	pcs
11-5		Internal tooth gasket	2	pcs
12	RA332081071B	Front pole assembly	1	set
12-1		Front pole	1	pcs
12-2		Stop ring	1	pcs
12-3		Self-plugging rivet	1	pcs
12-4		Self-plugging rivet	1	pcs
12-5		Female insert piece	2	pcs
12-6		Female connector	1	pcs
12-7		locking outer ring	1	pcs
12-8		Wire(16AWG red)	65	cm
12-9		Wire(16AWG black)	65	cm
12-10		Thrinkable tube	15	cm
12-11		Magnet ring	1	pcs
12-12		Double magnet ring	1	pcs
12-13		Capactor	1	pcs
12-14		Inductance	2	pcs



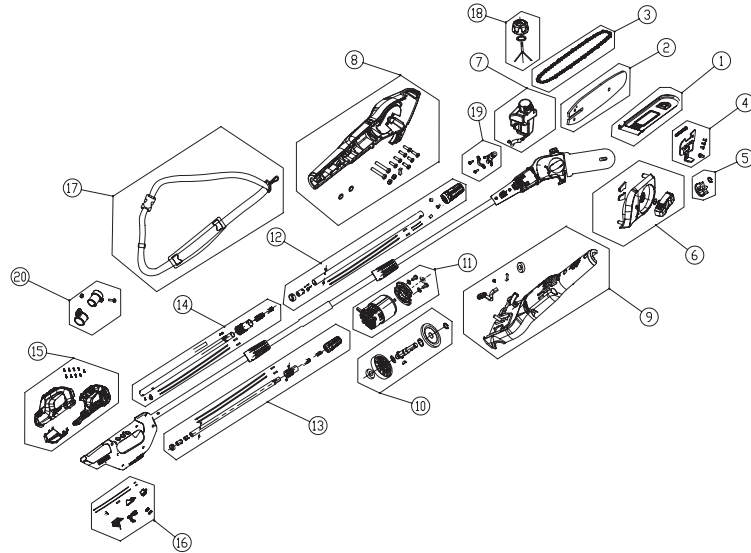
Pole Saw 40PS 1400286



POSITION	PNC	DESCRIPTION	QTY	UOM
12-15		B-terminal	2	pcs
13	RA332091071B	Central pole assembly	1	set
13-1		Central pole	1	pcs
13-2		pole cover	1	pcs
13-3		locking outer ring	1	pcs
13-4		Self-plugging rivet	3	pcs
13-5		Self-plugging rivet	1	pcs
13-6		Stop ring	1	pcs
13-7		Female insert piece	2	pcs
13-8		Male insert piece	2	pcs
13-9		Male connector	1	pcs
13-10		Female connector	1	pcs
13-11		Wire(16AWG red)	68	cm
13-12		Wire(16AWG black)	68	cm
13-13		Thrinkable tube	3	cm
14	RA331012704	upper pipe assembly	1	set
14-1		upper pipe	1	pcs
14-2		pole cover	1	pcs
14-3		Self-plugging rivet	2	pcs
14-4		Male insert piece	2	pcs
14-5		Male connector	1	pcs
14-6		hold hoop	1	pcs
14-7		screw ST4×16-F	1	pcs
14-8		Armguard sponge	1	pcs
14-9		Wire(16AWG red)	80	cm
14-10		Wire(16AWG black)	80	cm
14-11		Thrinkable tube	3	cm
15	RA341051426CV	Housing assembly	1	set
15-1		Left handle	1	pcs
15-2		Right handle	1	pcs
15-3		screw ST4×16-F	9	pcs
15-4		Handle decorative cover	1	pcs
16	RA36200581AV	PCB assembly	1	set
16-1		PCB	1	pcs



Pole Saw 40PS 1400286



POSITION	PNC	DESCRIPTION	QTY	UOM
16-2		Switch	1	pcs
16-3		Casing insert seat	1	pcs
16-4		Lock-off Spring	2	pcs
16-5		switch trigger	1	pcs
16-6		Lock-off button	1	pcs
16-7		Thrinkable tube	13	cm
16-8		Wire(16AWG red)	34	cm
16-9		Wire(16AWG black)	7	cm
17	RA37902144C	Belt assembly	1	set
17-1		Belt	1	pcs
18	RA34106583H	Oiler cover assembly	1	set
18-1		Oiler cover	1	pcs
18-2		Oiler pull line	1	pcs
18-3		Oiler seal ring	1	pcs
19	RA31100329AB	Oil pump assembly	1	set
19-1		Oil Pump	1	pcs
19-2		Oil pump press board	1	pcs
19-3		Screw	2	pcs
20	RA34108836V1	Strap holder assembly	1	set
20-1		Blot M5*8	1	pcs
20-2		Nut M5	1	pcs
20-3		Strap Hook	1	pcs
20-4		Strap tube	1	pcs

