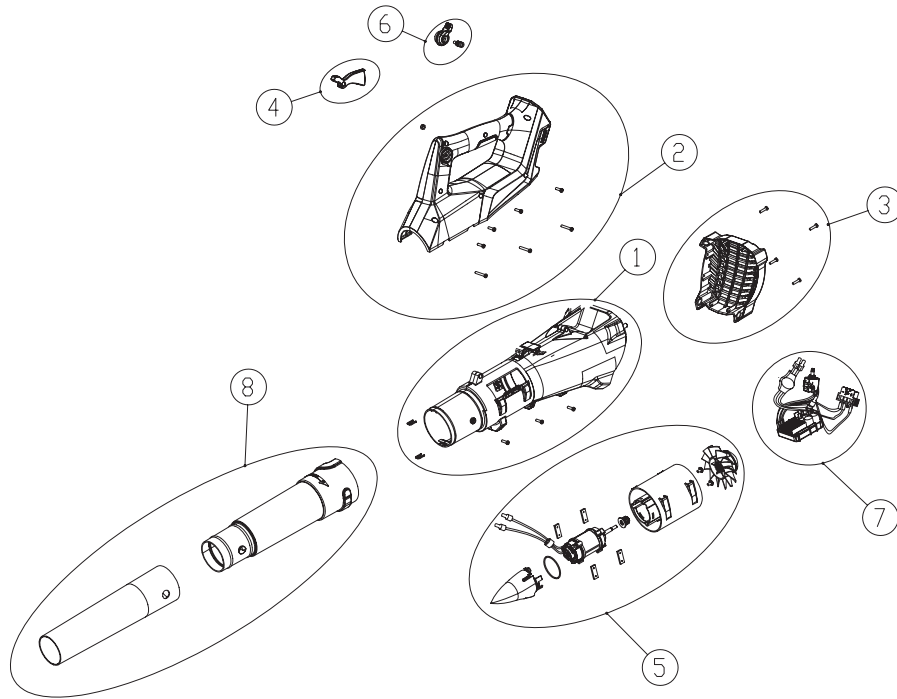




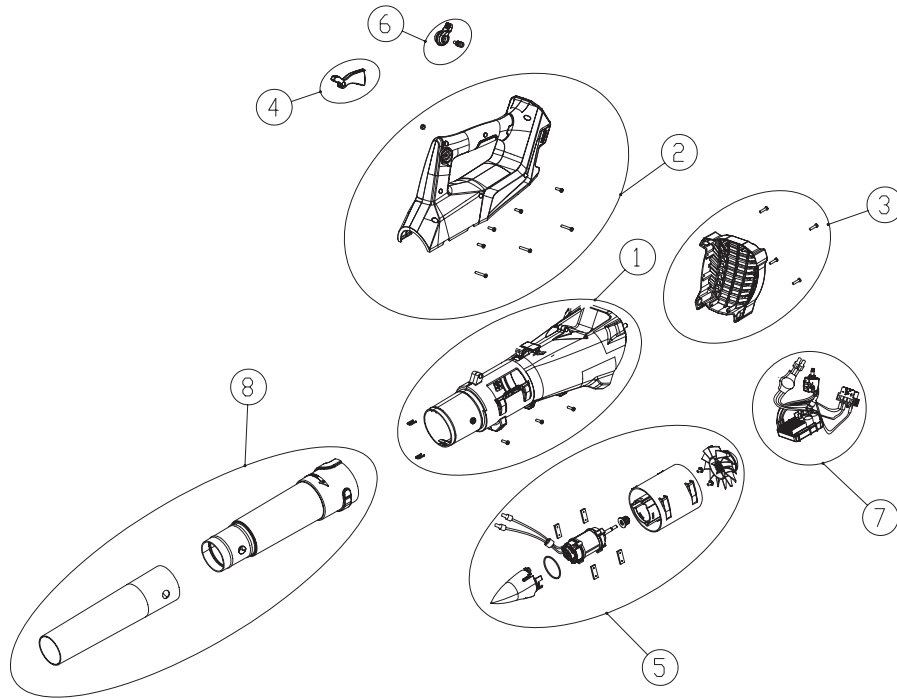
Blower 40B660 2400386



POSITION	PNC	DESCRIPTION	QTY	UOM
1	RA341011809G	Housing assembly	1	set
1-1		Left housing	1	pcs
1-2		Right housing	1	pcs
1-3		U-buckle	2	pcs
1-4		Screw ST4×16-F HSF	3	pcs
2	RA341031809H	Handle assembly	1	set
2-1		Left handle	1	pcs
2-2		Right handle	1	pcs
2-3		M5 grip nut	1	pcs
2-4		Cross recessed pan head self-tapping screw ST4X30-C	3	pcs
2-5		Screw ST4×16-F HSF	4	pcs
3	RA341051809M	Air inlet cover assembly	1	set
3-1		Air inlet cover	1	pcs
3-2		Screw ST4×16-F HSF	4	pcs
4		Switch trigger assembly	1	set
4-1		Switch trigger	1	pcs
5	RA361011809	Motor duct assembly	1	set
5-1		40V axial blower motor	1	pcs
5-2		Duct	1	pcs
5-3		Fan	1	pcs
5-4		Deflection cone	1	pcs
5-5		Fan connector	1	pcs
5-6		O-ring	1	pcs
5-7		Turning disc	1	pcs
5-8		Cross recessed pan head with washer&glue screw ST4×16-F HSF	2	pcs
5-9		Motor shock pad	4	pcs
5-10		B-terminal	2	pcs
5-11		Maganet ring	1	pcs
6	RA341041816M	Cruise knob assembly	1	set
6-1		Cruise knob	1	pcs
6-2		Cross recessed pan head screwM5X20	1	pcs



Blower 40B660 2400386



POSITION	PNC	DESCRIPTION	QTY	UOM
6-3		Elastic pad	1	pcs
6-4		Plate pad	2	pcs
7	RA362011809	Pcb assembly	1	set
7-1		Wire(16AWG red)	30	cm
7-2		PCB	1	pcs
7-3		Shrinkable tube	10	cm
7-4		housing insert seat	1	pcs
7-5		Speed switch(100mm)	1	pcs
7-6		Inductor	1	pcs
7-7		B-terminal	4	pcs
8	RA341081809	Tube assembly	1	set
8-1		Up blower tube	1	pcs
8-2		Down blower tube	1	pcs

