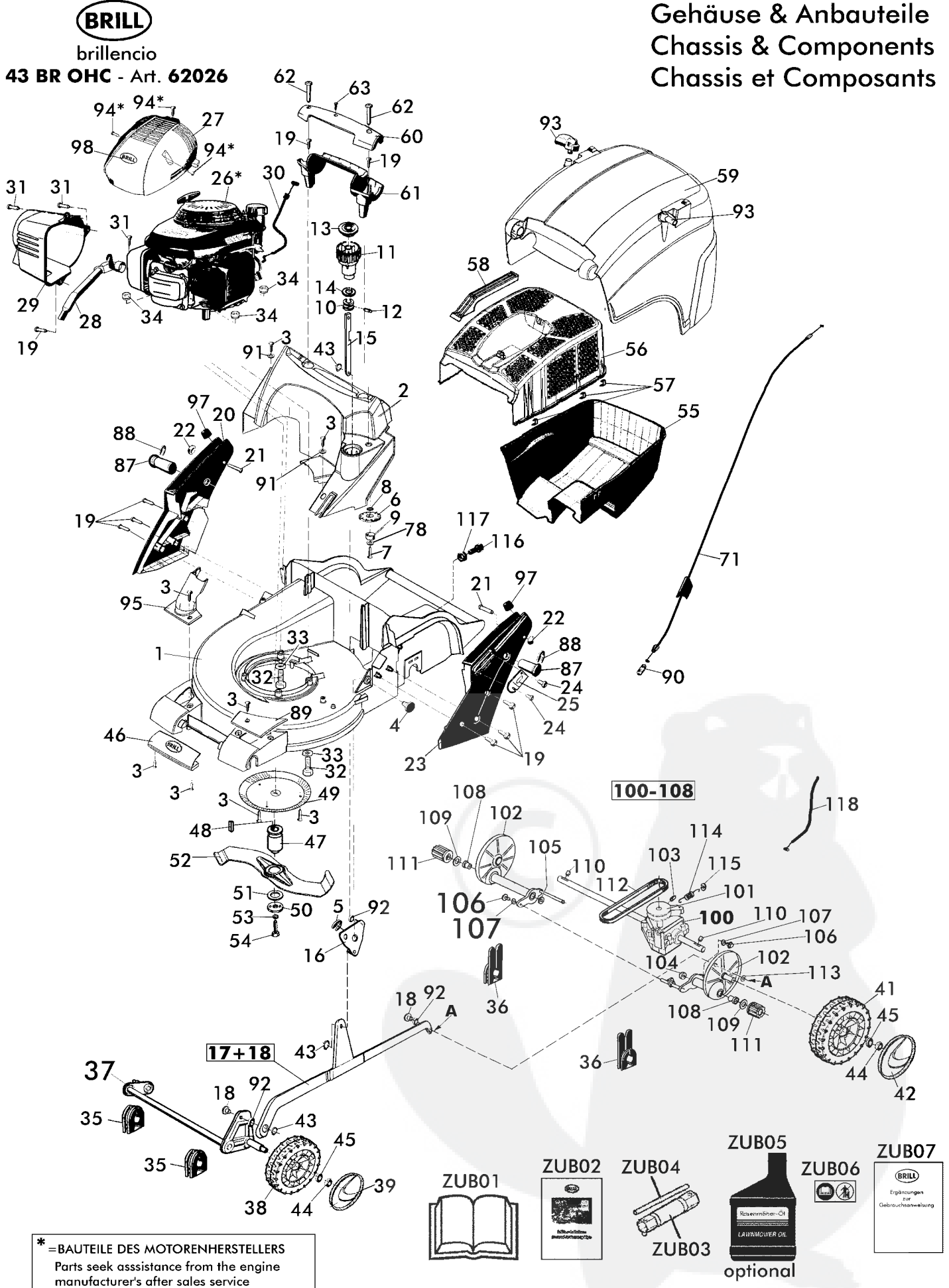


**Gehäuse & Anbauteile**  
**Chassis & Components**  
**Chassis et Composants**



| 2/5                          | BENZIN - Sichelmäher <b>brillencio</b> |                                     | <b>brillencio</b>                        |                        |
|------------------------------|--|-------------------------------------|--|------------------------|
| 2004                         | PETROL LAWN MOWER <b>brillencio</b>    |                                     | <b>43 BR OHC - Art.62026</b>             |                        |
| Upd: 01.05                   | Tondeuses á gazon <b>brillencio</b>    |                                     |  |                        |
| Bild Nr.<br>REF.N°<br>POS.N° | BEST.-NR.<br>PART-N°<br>N° d. PIECE    | BEZEICHNUNG                         | DESCRIPTION                              | Anzahl<br>Qty.<br>Qte. |
| 1                            | 13982                                  | Gehäuse 43 Mg R gep.RAL6001         | Chassis 43 Mg R RAL 6001                 | 1                      |
| 2                            | 12958                                  | Heckblende RAL6001                  | Rear end bezel                           | 1                      |
| 3                            | 12723                                  | Schraube DIN7500 NE M5*16-ST-Torx   | Screw DIN7500 NE M5*16-ST-Torx           | 10                     |
| 4                            | 13222                                  | Lagerbolzen                         | Bolt                                     | 1                      |
| 5                            | 06760                                  | S-SCHEIBE 9 DIN6799-ST VERZ         | Circlip 9 DIN6799-ST VERZ                | 1                      |
| 6                            | 10442                                  | SKALENRAD BEDRUCKT                  | Scale wheel                              | 1                      |
| 7                            | 13171                                  | Blechschrabe ISO7049-St 6,3*13-C-   | Self-tapping screw 6,3x13                | 1                      |
| 8                            | 08782                                  | O-RING 12,1*2,7 70 SHORE A,         | O-Ring 12,1*2,7 70 SHORE A,              | 1                      |
| 9                            | 13170                                  | Lager Skala                         | Scale bearing                            | 1                      |
| 10                           | 08606                                  | VERSTELLBOLZEN                      | Adjustment bolt                          | 1                      |
| 11                           | 13252                                  | VERSTELLKNOPF                       | Adjustment knob                          | 1                      |
| 12                           | 08607                                  | ZYLINDERSTIFT 10H8*22 DIN7-ST VERZ  | Parallel pin 10H8*22 DIN7-ST VERZ        | 1                      |
| 13                           | 13169                                  | Deckel bedr.                        | Cover                                    | 1                      |
| 14                           | 08610                                  | LAGERSCHEIBE                        | Disk                                     | 1                      |
| 15                           | 12942                                  | Zugstange gep RAL7021               | Pull rod                                 | 1                      |
| 16                           | 13463                                  | Schwinge kpl verz.                  | Rocker                                   | 1                      |
| 17+18                        | 13466                                  | VERBINDUNGSSTANGE mont.             | Con-rod assy.                            | 1                      |
| 18                           | 13071                                  | ZUGBOLZEN                           | Tension bolt                             | 2                      |
| 19                           | 13173                                  | SCHRAUBE DIN7500 M6*20 Torx         | Screw DIN7500 M6*20 Torx                 | 8                      |
| 20                           | 13335                                  | Holmknoten rts RAL7045              | Bar joint right RAL 7045                 | 1                      |
| 21                           | 13796                                  | Bolzen                              | Bolt                                     | 2                      |
| 22                           | 13198                                  | Sperrkappe 6 SBK 1863 vern.         | Arrestor cap                             | 2                      |
| 23                           | 13336                                  | Holmknoten lks RAL7045              | Bar joint left RAL7045                   | 1                      |
| 24                           | 13446                                  | SCHRAUBE ISO 7049-4,8x12 Torx       | Screw ISO 7049-4,8x12 Torx               | 2                      |
| 25                           | 13209                                  | Bowdenzughalter                     | Cable connector                          | 1                      |
| 26                           | 13119                                  | V-Motor Honda GCV135-S2-E1-SD       | V-Motor Honda GCV135-S2-E1-SD            | 1                      |
| 27                           | 12971                                  | Motorhaube Honda                    | Motor cover Honda                        | 1                      |
| 28                           | 12972                                  | Abgasrohr kpl Honda 135             | Flue gas pipe assy Honda GCV 135         | 1                      |
| 29                           | 12985                                  | Auspuffschutz Honda gep.silber      | Exhaust guard Honda                      | 1                      |
| 30                           | 13249                                  | Bowdenzug Bremse Honda PS           | Brake cable                              | 1                      |
| 31                           | 13232                                  | SCHRAUBE M5*12 DIN7500 Torx,verz.   | Screw M5*12 DIN7500 Torx,verz.           | 3                      |
| 32                           | 13799                                  | SKT-Schraube M8x80 DIN 931-8.8 verz | Hex.Hd.Screw M8x80 DIN 931-8.8 verz      | 3                      |
| 33                           | 07500                                  | SCHEIBE A8,4*25*3 AEHNL,DIN902      | Washer                                   | 3                      |
| 34                           | 08427                                  | SPERRZAHNMUTTER M8,KL,8             | Special nut M8                           | 3                      |
| 35                           | 12944                                  | Lagerschale vorn                    | Front Bearing Seat                       | 2                      |
| 36                           | 09045                                  | LAGERSCHALE BR HINTEN RAL9005       | Rear Bearing seat BR                     | 2                      |
| 37                           | 12945                                  | Vorderachse kpl gepulv.RAL7021      | Front axle assy.                         | 1                      |
| 38                           | 12946                                  | Laufrad 172 kpl m.Kugellager        | Wheel 172 assy.w.ball bearing            | 2                      |
| 39                           | 12947                                  | Radkappe 172                        | Wheel cap 172                            | 2                      |
| 41                           | 12951                                  | Antriebsrad 195 kpl m.Kugellager    | Wheel 195 Assy. incl. ball bearing       | 2                      |
| 42                           | 12952                                  | Radkappe 195 Silencio               | Wheel cap 195 Silencio                   | 2                      |
| 43                           | 10574                                  | S-SCHEIBE 6 DIN6799 ROH             | Circlip 6                                | 4                      |
| 44                           | 06684                                  | SKT-MUTTER M 8 DIN985-8 VERZ        | Hex.Hd.Nut M8                            | 4                      |
| 45                           | 06465                                  | SCHEIBE A8,4 DIN125-ST VERZ         | Washer                                   | 4                      |
| 46                           | 12961                                  | Griffschale vorn gepulvert          | Grip jacket                              | 1                      |
| 47                           | 13298                                  | Messerflansch BR Honda              | Blade flange BR honda                    | 1                      |
| 48                           | 02713                                  | KEIL WOODRUFF505 5/32*51            | Woodruff Key                             | 1                      |
| 49                           | 13450                                  | ABDECKSCHEIBE GEP RAL7021           | Barrier                                  | 1                      |
| 50                           | 08654                                  | SPANNSCHEIBE GEP RAL2002            | Tension Screw                            | 1                      |
| 51                           | 08740                                  | REIBSCHEIBE , MIT WERKSBES,DIN      | Friction disk                            | 1                      |
| 52                           | 13968                                  | Messer 43 gep.                      | Duo-Cutting Blade 43 Silencio/Brillencio | 1                      |

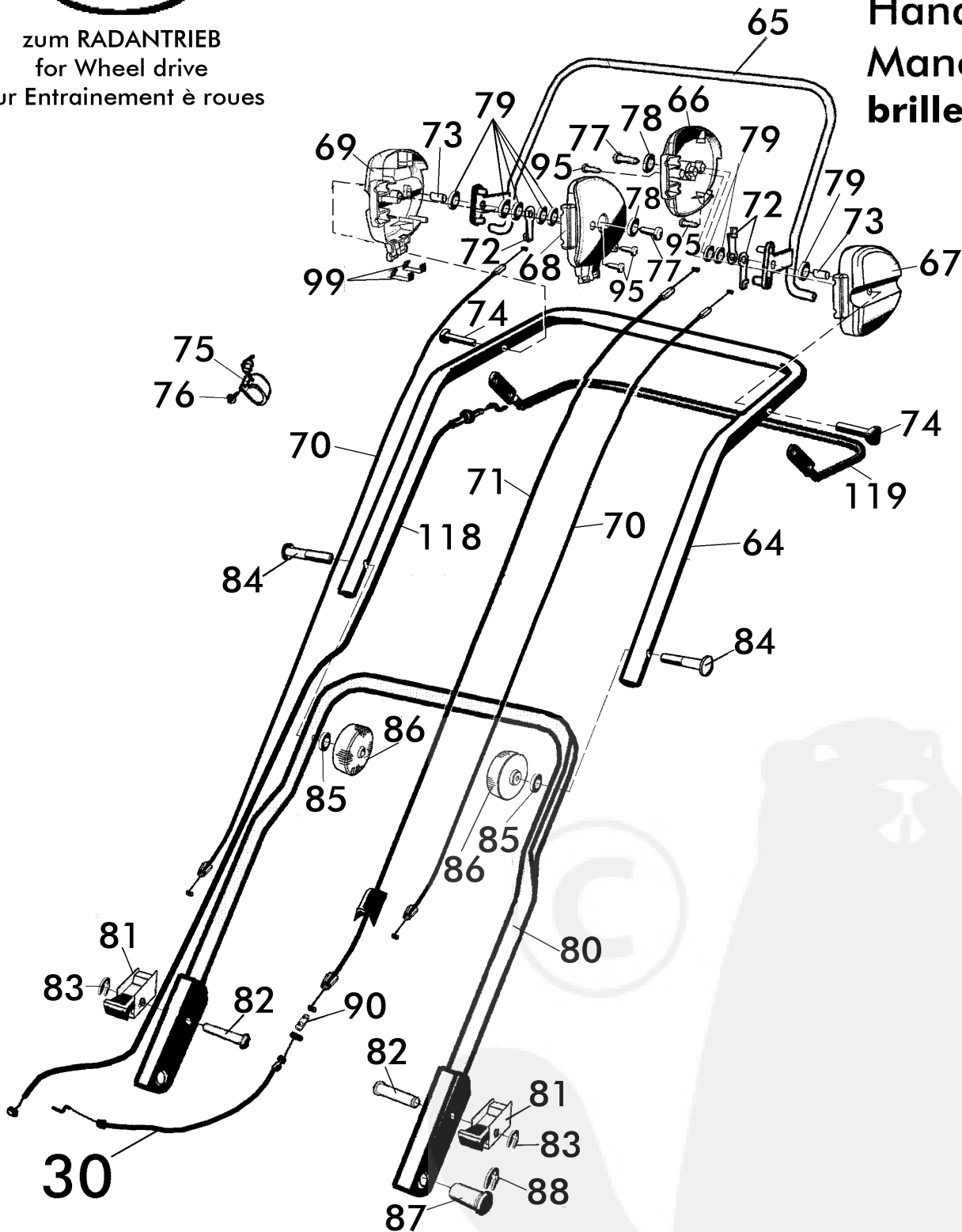
| 3/5                          | BENZIN - Sichelmäher <b>brillencio</b> |                                     | <b>brillencio</b>                        |                        |
|------------------------------|--|-------------------------------------|--|------------------------|
| 2004                         | PETROL LAWN MOWER <b>brillencio</b>    |                                     | <b>43 BR OHC - Art.62026</b>             |                        |
| Upd: 01.05                   | Tondeuses á gazon <b>brillencio</b>    |                                     |  |                        |
| Bild Nr.<br>REF.N°<br>POS.N° | BEST.-NR.<br>PART-N°<br>N° d. PIECE    | BEZEICHNUNG                         | DESCRIPTION                              | Anzahl<br>Qty.<br>Qte. |
| 53                           | 06460                                  | SCHEIBE A10,5 DIN125-ST VERZ        | Washer                                   | 1                      |
| 54                           | 07489                                  | SKT-SCHRAUBE 3/8"24UNF 2 3/4"-8,8   | Tension Screw 3/8"24UNF 2 3/4"-8,8       | 1                      |
| 55                           | 13735                                  | Fangkorb UT                         | Lower Grass Catcher 43                   | 1                      |
| 56                           | 13734                                  | Fangkorb OT                         | Upper Grass Catcher 43                   | 1                      |
| 57                           | 12970                                  | Verbindungsclammer FK Silencio      | Clamp                                    | 7                      |
| 58                           | 08252                                  | TRAGEGRIFF ROT, LOSE                | Grip                                     | 1                      |
| 59                           | 12967                                  | Multi-Funktions-Box RAL6001         | Grass Box Cover                          | 1                      |
| 60                           | 12965                                  | Heckgriff OT gepulvert silber       | Rear grip, Upper part                    | 1                      |
| 61                           | 12963                                  | Heckgriff UT gepulvert silber       | Rear grip, Lower part                    | 1                      |
| 62                           | 13231                                  | SCHRAUBE M6*40 DIN7500 Torx,verz.   | Screw                                    | 2                      |
| 63                           | 13230                                  | SCHRAUBE M4*20 DIN7500 Torx,verz.   | Screw                                    | 1                      |
| 71                           | 12999                                  | Bowdenzug Bremse Holm               | Upper Brake Cable 1                      | 1                      |
| 78                           | 06839                                  | SCHEIBE A6,4 DIN9021 VERZ           | Washer                                   | 1                      |
| 87                           | 13460                                  | Gelenkbolzen                        | Joint bolt                               | 2                      |
| 88                           | 13156                                  | S-Scheibe DIN6799-19-SnBz8          | Circlip                                  | 2                      |
| 89                           | 13175                                  | Abdeckung lks                       | Cover left                               | 1                      |
| 90                           | 13248                                  | Bowdenzugverbinder                  | Cable connector                          | 1                      |
| 91                           | 06843                                  | SCHEIBE B5,3 DIN9021 VERZ           | Washer                                   | 2                      |
| 92                           | 08399                                  | FESCH B8,4*15*0,2 DIN137 VERZ       | Serrated washer                          | 5                      |
| 93                           | 12996                                  | Mitnehmer                           | Tappet                                   | 2                      |
| 94                           | H93903-24480                           | Schneidschraube                     | Hood Screw                               | 3                      |
| 95                           | 12987                                  | Auspuffschutz Geh.rts.gep.silber    | Muffler guard right                      | 1                      |
| 97                           | 11519                                  | Gummifuss schwarz                   | Rubber knob black                        | 2                      |
| 98                           | 13323                                  | Aufkleber Brill                     | Label Brill                              | 1                      |
| 100-108                      | 12948                                  | Antrieb 43 komplett                 | Drive propulsion system assy. 43         | 1                      |
| 100                          | 13019                                  | Getriebe komplett                   | Gear box assy.                           | 1                      |
| 101                          | 10001                                  | Poly-V-Riemenscheibe                | Poly-V-pulley                            | 1                      |
| 102                          | 12949                                  | Hüllrohr kurz+lang kpl. RAL 7021    | Cladding tube Assy. Long+short cpl.      | 1                      |
| 103                          | 10365                                  | Spannhülse 5x32                     | Slamping sleeve                          | 1                      |
| 104                          | 10000                                  | Ring                                | Ring                                     | 1                      |
| 105                          | 06461                                  | Scheibe A13                         | Washer A13                               | 2                      |
| 106                          | 06635                                  | SKT-Schraube 5x16                   | Hex.hd.screw 5x16                        | 2                      |
| 107                          | 10441                                  | Sicherungsscheibe S5                | Circlip S5                               | 2                      |
| 108                          | 13066                                  | Lagerbuchse                         | Bearing bush                             | 2                      |
| 109                          | 00930                                  | Anlaufscheibe                       | Waher                                    | 2                      |
| 110                          | 09973                                  | Sperrhaken                          | Ratchet brace                            | 2                      |
| 111                          | 10758                                  | Sperrzahnrad rechts & links         | Ratchet wheel left & right               | 2                      |
| 112                          | 13020                                  | Keilrippenriemen                    | V-ripped belt                            | 1                      |
| 113                          | 09674                                  | Scheibe A7,4                        | Washer                                   | 1                      |
| 114                          | 13301                                  | Zugfeder z. Getriebe                | Tension spring                           | 1                      |
| 115                          | 10196                                  | Scheibe z. Zugfeder                 | Special washer for tension spring        | 1                      |
| 116                          | 13116                                  | FLK-Schraube 6x30                   | FLK-screw 6x30                           | 1                      |
| 117                          | 11049                                  | SKT-Mutter M6                       | Hex.hd.nut M6                            | 1                      |
| 118                          | 13022                                  | Bowdenzug Kupplung                  | bowden cable (Wheel drive)               | 1                      |
|                              |  | <b>ZUBEHOER</b>                     | <b>ACCESSORIES</b>                       |                        |
| ZUB01                        | 13350                                  | GEBRAUCHSANWEISUNG brillencio       | Instruction for use brillencio           | 1                      |
| ZUB02                        | 00563                                  | KUNDENDIENSTVERZEICHNIS             | Brill-Service-Booklet                    | 1                      |
| ZUB03                        | 06574                                  | STECKSCHLÜSSEL DIN659 SW19/21       | Box spanner SW 19/21                     | 1                      |
| ZUB04                        | 06591                                  | DREHSTIFT 5x100 DIN900 VERZ         | Pin 5x100                                | 1                      |
| ZUB05                        | 76012                                  | 4-Takt-Motorenöl Flasche (optional) | Four stroke engine oil bottle (optional) | 1                      |
| ZUB06                        | 13778                                  | Geräteaufkleber -Kippen-            | Sticker -lateral buckling-               | 1                      |
| ZUB07                        | 13896                                  | GAW Ergänzungen 62026               | Instruction addendum 62026               | 1                      |

|            |  |                       |
|------------|--|-----------------------|
| 4/5        | BENZIN - Sichelmäher <b>brillencio</b> | <b>brillencio</b>     |
| 2004       | PETROL LAWN MOWER <b>brillencio</b>    | 43 BR OHC - Art.62026 |
| Upd: 01.05 | Tondeuses á gazon <b>brillencio</b>    |                       |



zum RADANTRIEB  
for Wheel drive  
pur Entraînement à roues

# Gestänge, Handle Bar, Manche **brillencio BR**



| 5/5                          | BENZIN - Sichelmäher <b>brillencio</b> |                                    | <b>brillencio</b>            |                        |
|------------------------------|--|------------------------------------|------------------------------|------------------------|
| 2004                         | PETROL LAWN MOWER <b>brillencio</b>    |                                    | <b>43 BR OHC - Art.62026</b> |                        |
| Upd: 01.05                   | Tondeuses á gazon <b>brillencio</b>    |                                    |                              |                        |
| Bild Nr.<br>REF.N°<br>POS.N° | BEST.-NR.<br>PART-N°<br>N° d. PIECE    | BEZEICHNUNG                        | DESCRIPTION                  | Anzahl<br>Qty.<br>Qte. |
| 30                           | 13249                                  | Bowdenzug Bremse Honda PS          | Brake cable                  | 1                      |
| 64                           | 13141                                  | GESTÄNGE-OBERTEIL                  | Upper handle bar             | 1                      |
| 65                           | 13000                                  | Bremsbügel kpl gep.RAL2002         | Brake bail assy.             | 1                      |
| 66                           | 13462                                  | Holmgehäuse lks innen bedruckt     | Bar housing left inboard     | 1                      |
| 67                           | 13472                                  | Holm-Gehäuse lks außen             | Bar housing left ambient     | 1                      |
| 68                           | 13470                                  | Holm-Gehäuse rts innen             | Bar housing right inboard    | 1                      |
| 69                           | 13471                                  | Holm-Gehäuse rts außen             | Bar housing right ambient    | 1                      |
| 70                           | 12998                                  | Bowdenzug-Entriegelung             | Cable lock-out release       | 2                      |
| 71                           | 12999                                  | Bowdenzug Bremse Holm              | Upper Brake Cable 1          | 1                      |
| 72                           | 13150                                  | Bowdenzugmitnehmer                 | Cable tappet                 | 3                      |
| 73                           | 13151                                  | ZYLINDERSTIFT ISO2338-B-8*24-St    | Pin ISO2338-B-8*24-St*-verz  | 2                      |
| 74                           | 13901                                  | Isolierhülse                       | Isolation sleeve             | 2                      |
| 75                           | 10953                                  | UMLENKHALTER                       | Cable guide                  | 1                      |
| 76                           | 08722                                  | LIB-SCHRAUBE BZ 3,5*13 DIN7981 V2A | Screw                        | 1                      |
| 77                           | 13444                                  | LIB-Schraube ISO7049-4,8x19 Torx   | Screw ISO7049-4,8x19 Torx    | 2                      |
| 78                           | 06843                                  | SCHEIBE A5,3 DIN9021 VERZ          | Washer A5,3 DIN9021          | 2                      |
| 79                           | 06465                                  | SCHEIBE A8,4 DIN125-ST VERZ        | Washer                       | 8                      |
| 80                           | 12979                                  | GESTÄNGE-UNTERTEIL gep.RAL7021     | Lower handle bar             | 1                      |
| 81                           | 13510                                  | Sperrklinke mont.                  | Catch Assy.                  | 2                      |
| 82                           | 13140                                  | Bolzen                             | Bolt                         | 2                      |
| 83                           | 06755                                  | S-SCHEIBE 5 DIN6799 VERZ           | Circlip 5                    | 2                      |
| 84                           | 09191                                  | FORMSCHRAUBE M8*47 N ZG            | Special form screw           | 2                      |
| 85                           | 06465                                  | SCHEIBE A8,4 DIN125-ST VERZ        | Washer                       | 2                      |
| 86                           | 13294                                  | Holm-Spanngriff                    | bar tension grip             | 2                      |
| 87                           | 13460                                  | Gelenkbolzen                       | Joint bolt                   | 2                      |
| 88                           | 13156                                  | S-Scheibe DIN6799-19-SnBz8         | Circlip                      | 2                      |
| 90                           | 13248                                  | Bowdenzugverbinder                 | Cable connector              | 1                      |
| 95                           | 12032                                  | ZK-Schraube 3,5x20                 | ZK-screw 3,5x20              | 4                      |
| 99                           | 12970                                  | Verbindungsklammer FK Silencio     | Clamp                        | 2                      |
| 118                          | 13022                                  | Bowdenzug Kupplung                 | bowden cable (Wheel drive)   | 1                      |
| 119                          | 13234                                  | Kupplungsbügel RAL 2002            | Wheel drive bracket RAL2002  | 1                      |