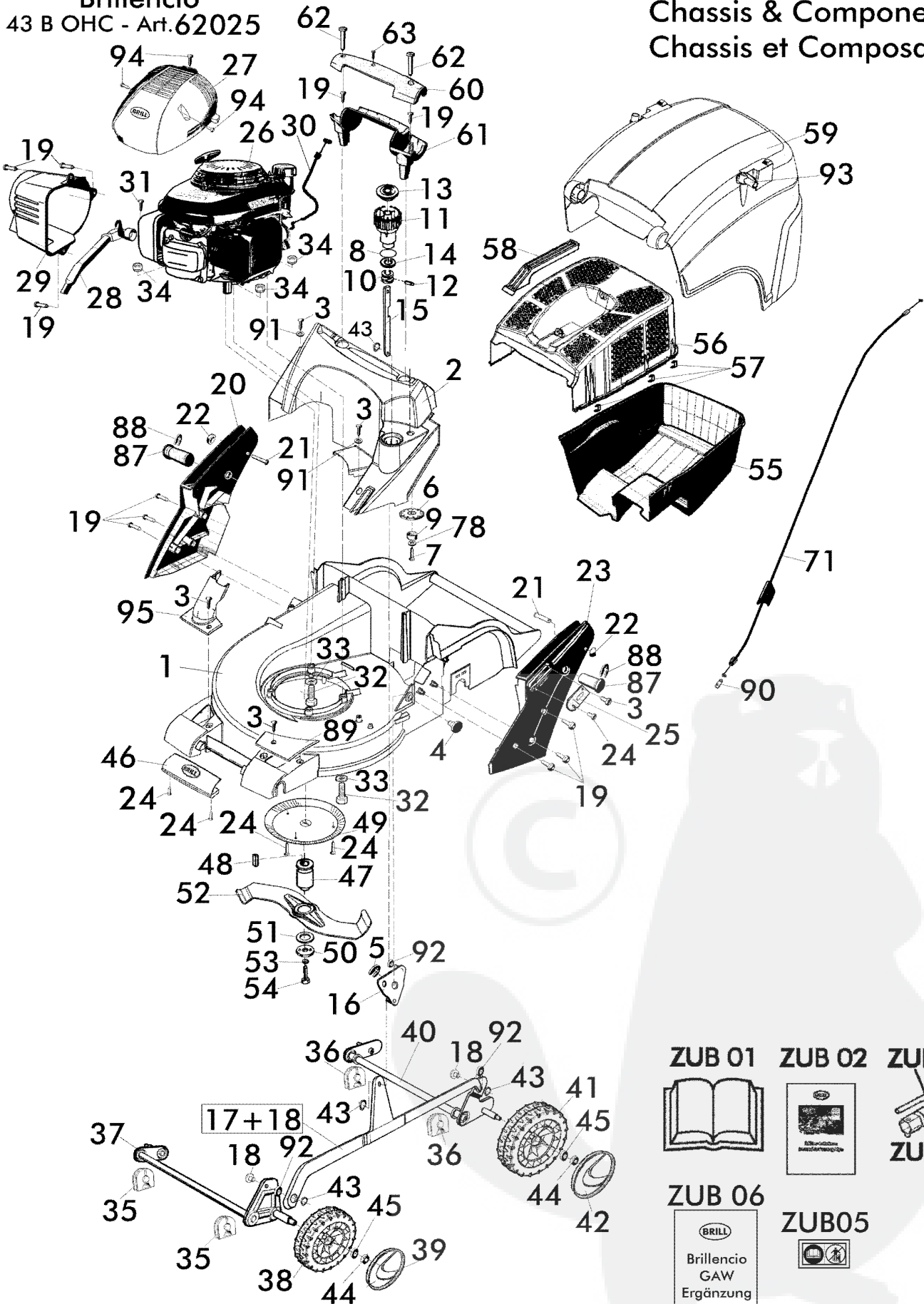




Gehäuse & Anbauteile Chassis & Components Chassis et Composants

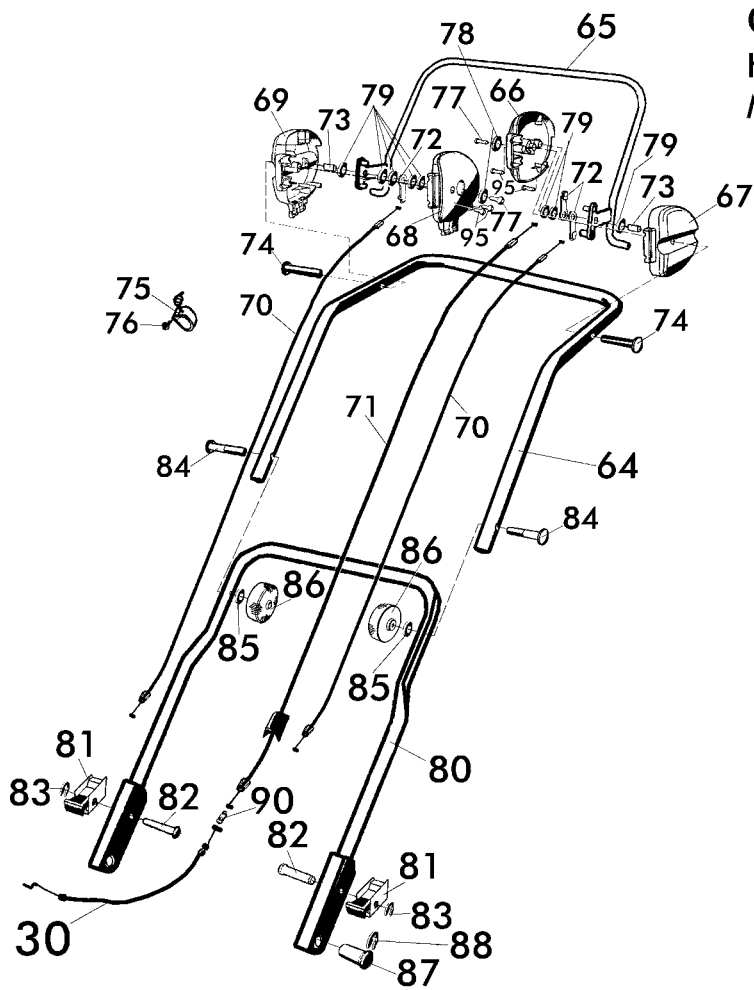
Brillencio
43 B OHC - Art.62025



- | | | |
|------------|--------|--------|
| ZUB 01 | ZUB 02 | ZUB 04 |
| | | |
| | | ZUB 03 |
| ZUB 06 | ZUB 05 | |
| | | |
| Brillencio | GAW | |
| Ergänzung | | |

| 2/4 | BENZIN - Sichelmäher brillencio | |  | Brillencio 43 B OHC - Art.62025 |
|------------------------------|--|-------------------------------------|--|--|
| 2004 | PETROL LAWN MOWER brillencio | | | |
| Upd: 11.04 | Tondeuses á gazon brillencio | | | |
| Bild Nr. REF.N° POS.N° | BEST.-NR. PART-N° N° d. PIECE | BEZEICHNUNG | DESCRIPTION | Anzahl Qty. Qte. |
| 1 | 13589 | Gehäuse 43 Mg gep.RAL6001 | Chassis 43 B Mg RAL6001 | 1 |
| 2 | 12958 | Heckblende RAL6001 | Rear end bezel | 1 |
| 3 | 12723 | Schraube DIN7500 NE M5*16-ST-Torx | Screw DIN7500 NE M5*16-ST-Torx | 4 |
| 4 | 13222 | Lagerbolzen | Bolt | 1 |
| 5 | 06760 | S-SCHEIBE 9 DIN6799-ST VERZ | Circlip 9 DIN6799-ST VERZ | 1 |
| 6 | 10442 | SKALENRAD BEDRUCKT | Scale wheel | 1 |
| 7 | 13171 | Blechschrabe ISO7049-St 6,3*13-C- | Self-tapping screw 6,3x13 | 1 |
| 8 | 08782 | O-RING 12,1*2,7 70 SHORE A, | O-Ring 12,1*2,7 70 SHORE A, | 1 |
| 9 | 13170 | Lager Skala | Scale bearing | 1 |
| 10 | 08606 | VERSTELLBOLZEN | Adjustment bolt | 1 |
| 11 | 13252 | VERSTELKNOPF | Adjustment knob | 1 |
| 12 | 08607 | ZYLINDERSTIFT 10H8*22 DIN7-ST VERZ | Parallel pin 10H8*22 DIN7-ST VERZ | 1 |
| 13 | 13169 | Deckel bedr. | Cover | 1 |
| 14 | 08610 | LAGERSCHEIBE | Disk | 1 |
| 15 | 12942 | Zugstange gep RAL7021 | Pull rod | 1 |
| 16 | 13463 | Schwinge kpl verz. | Rocker | 1 |
| 17+18 | 13466 | VERBINDUNGSSTANGE mont. | Con-rod assy. | 1 |
| 18 | 13071 | ZUGBOLZEN | Tension bolt | 2 |
| 19 | 13173 | SCHRAUBE DIN7500 M6*20 Torx | Screw DIN7500 M6*20 Torx | 8 |
| 20 | 13335 | Holmknoten rts RAL7045 | Bar joint right RAL7045 | 1 |
| 21 | 13796 | Bolzen | Bolt | 2 |
| 22 | 13198 | Sperrkappe 6 SBK 1863 vern. | Arrestor cap | 2 |
| 23 | 13336 | Holmknoten lks RAL 7045 | Bar joint left RAL7045 | 1 |
| 24 | 13232 | SCHRAUBE DIN7500 M5*12 Torx verz | Screw DIN7500 M5*12 Torx verz | 5 |
| 25 | 13209 | Bowdenzughalter | Cable connector | 1 |
| 26 | 13119 | V-Motor Honda GCV135-S2-E1-SD | V-Motor Honda GCV135-S2-E1-SD | 1 |
| 27 | 12971 | Motorhaube Honda | Motor cover Honda | 1 |
| 28 | 12972 | Abgasrohr kpl Honda 135 | Flue gas pipe assy Honda GCV 135 | 1 |
| 29 | 12985 | Auspuffschutz Honda gep.silber | Exhaust guard Honda | 1 |
| 30 | 13249 | Bowdenzug Bremse Honda PS | Brake cable | 1 |
| 31 | 13232 | SCHRAUBE M5*12 DIN7500 Torx,verz. | Screw M5*12 DIN7500 Torx,verz. | 1 |
| 32 | 13799 | SKT-Schraube M8x80 DIN 931-8.8 verz | Hex.Hd.Screw M8x80 DIN 931-8.8 | 3 |
| 33 | 07500 | SCHEIBE A8,4*25*3 AEHNL,DIN902 | Washer | 3 |
| 34 | 08427 | SPERRZAHNMUTTER M8,KL,8 | Special nut M8 | 3 |
| 35 | 12944 | Lagerschale vorn | Front Bearing Seat | 2 |
| 36 | 09027 | LAGERSCHALE HINTEN RAL9005 | Rear Bearing seat | 2 |
| 37 | 12945 | Vorderachse kpl gepulv.RAL7021 | Front axle assy. | 1 |
| 38 | 12946 | Laufrad 172 kpl m.Kugellager | Wheel 172 assy.w.ball bearing | 2 |
| 39 | 12947 | Radkappe 172 Silencio | Wheel cap 172 Silencio | 2 |
| 40 | 13759 | Hinterachse kpl verz. | Rear Axle Assy. | 1 |
| 41 | 12989 | Laufrad 195 kpl m.Kugellager | Wheel 195 Assy. W.ball bearing | 2 |
| 42 | 12952 | Radkappe 195 Silencio | Wheel cap 195 Silencio | 2 |
| 43 | 10574 | S-SCHEIBE 6 DIN6799 ROH | Circlip 6 | 4 |
| 44 | 06684 | SKT-MUTTER M 8 DIN985-8 VERZ | Hex.Hd.Nut M8 | 4 |
| 45 | 06465 | SCHEIBE A8,4 DIN125-ST VERZ | Washer | 4 |
| 46 | 12961 | Griffschale vorn gepulvert | Grip jacket | 1 |
| 47 | 12990 | Messerflansch Honda | Blade flange honda | 1 |
| 48 | 02713 | KEIL WOODRUFF505 5/32*51 | Woodruff Key | 1 |
| 49 | 13450 | ABDECKSCHEIBE GEP RAL7021 | Barrier | 1 |
| 50 | 08654 | SPANNSCHEIBE GEP RAL2002 | Tension Screw | 1 |
| 51 | 08740 | REIBSCHEIBE , MIT WERKS BES,DIN | Friction disk | 1 |
| 52 | 13968 | Messer 43 gep. | Duo-Cutting Blade 43 | 1 |

| 3/4 | BENZIN - Sichelmäher brillencio | |  | Brillencio 43 B OHC - Art.62025 |
|------------------------------|--|-----------------------------------|--|--|
| 2004 | PETROL LAWN MOWER brillencio | | | |
| Upd: 11.04 | Tondeuses á gazon brillencio | | | |
| Bild Nr. REF.N° POS.N° | BEST.-NR. PART-N° N° d. PIECE | BEZEICHNUNG | DESCRIPTION | Anzahl Qty. Qte. |
| 53 | 06460 | SCHEIBE A10,5 DIN125-ST VERZ | Washer | 1 |
| 54 | 07489 | SKT-SCHRAUBE 3/8"24UNF 2 3/4"-8,8 | Tension Screw 3/8"24UNF 2 3/4"-8,8 | 1 |
| 55 | 13735 | Fangkorb UT | Lower Grass Catcher 43 | 1 |
| 56 | 13734 | Fangkorb OT | Upper Grass Catcher 43 | 1 |
| 57 | 12970 | Verbindungsklammer FK Silencio | Clamp | 7 |
| 58 | 08252 | TRAGEGRIFF ROT, LOSE | Grip | 1 |
| 59 | 12967 | Multi-Funktions-Box RAL6001 | Grass Box Cover | 1 |
| 60 | 12965 | Heckgriff OT gepulvert silber | Rear grip, Upper part | 1 |
| 61 | 12963 | Heckgriff UT gepulvert silber | Rear grip, Lower part | 1 |
| 62 | 13231 | SCHRAUBE M6*40 DIN7500 Torx,verz. | Screw | 2 |
| 63 | 13230 | SCHRAUBE M4*20 DIN7500 Torx,verz. | Screw | 1 |
| 71 | 12999 | Bowdenzug Bremse Holm | Upper Brake Cable 1 | 1 |
| 78 | 06843 | SCHEIBE A5,3 DIN9021 VERZ | Washer | 3 |
| 87 | 13460 | Gelenkbolzen | Joint bolt | 2 |
| 88 | 13156 | S-Scheibe DIN6799-19-SnBz8 | Circlip | 2 |
| 89 | 13175 | Abdeckung lks | Cover left | 1 |
| 90 | 13248 | Bowdenzugverbinder | Cable connector | 1 |
| 91 | 06843 | SCHEIBE B5,3 DIN9021 VERZ | Washer | 2 |
| 92 | 08399 | FESCH B8,4*15*0,2 DIN137 VERZ | Serrated washer | 3 |
| 93 | 12996 | Mitnehmer | Tappet | 2 |
| 94 | H93903-24480 | Schneidschraube | Hood Screw | 3 |
| 95 | 12987 | Auspuffschutz Geh.rts.gep.silber | Muffler guard right | 1 |
| | | ZUBEHOER | ACCESSORIES | |
| ZUB01 | 13350 | GEBRAUCHSANWEISUNG Brillencio | Instruction for use Brillencio | 1 |
| ZUB02 | 00563 | KUNDENDIENSTVERZEICHNIS | Brill-Service-Booklet | 1 |
| ZUB03 | 06574 | STECKSCHLÜSSEL DIN659 SW19/21 | Box spanner SW 19/21 | 1 |
| ZUB04 | 06591 | DREHSTIFT 5x100 DIN900 VERZ | Pin 5x100 | 1 |
| ZUB05 | 13778 | Geräteaufkleber "Kippen" | Label "tipping" | 1 |
| ZUB06 | 13895 | GAW Ergänzung 62025 | Instruction added information | 1 |



**Gestänge,
Handle Bar,
Manche**

| Bild Nr. REF.N° POS.N° | BEST.-NR. PART-N° N° d. PIECE | BEZEICHNUNG | DESCRIPTION | Anzahl Qty. Qte. |
|------------------------------|-------------------------------------|------------------------------------|-----------------------------|------------------------|
| 30 | 13249 | Bowdenzug Bremse Honda PS | Brake cable | 1 |
| 64 | 13141 | GESTÄNGE-OBERTEIL | Upper handle bar | 1 |
| 65 | 13000 | Bremsbügel kpl gep.RAL2002 | Brake bail assy. | 1 |
| 66 | 13462 | Holmgehäuse lks innen bedruckt | Bar housing left inboard | 1 |
| 67 | 13472 | Holm-Gehäuse lks außen | Bar housing left ambient | 1 |
| 68 | 13470 | Holm-Gehäuse rts innen | Bar housing right inboard | 1 |
| 69 | 13471 | Holm-Gehäuse rts außen | Bar housing right ambient | 1 |
| 70 | 12998 | Bowdenzug-Entriegelung | Cable lock-out release | 2 |
| 71 | 12999 | Bowdenzug Bremse Holm | Upper Brake Cable 1 | 1 |
| 72 | 13150 | Bowdenzugmitnehmer | Cable tappet | 3 |
| 73 | 13151 | ZYLINDERSTIFT ISO2338-B-8*24-St | Pin ISO2338-B-8*24-St*-verz | 2 |
| 74 | 13901 | Isolierhülse | Plastic Bolt | 2 |
| 75 | 10953 | UMLENKHALTER | Cable guide | 1 |
| 76 | 08722 | LIB-SCHRAUBE BZ 3,5*13 DIN7981 V2A | Screw | 1 |
| 77 | 13444 | LIB-Schraube ISO 7049-4,8x19 Torx | Screw ISO 7049-4,8x19 Torx | 2 |
| 78 | 06843 | SCHEIBE A5,3 DIN9021 VERZ | Washer | 2 |
| 79 | 06465 | SCHEIBE A8,4 DIN125-ST VERZ | Washer | 8 |
| 80 | 12979 | GESTÄNGE-UNTERTEIL gep.RAL7021 | Lower handle bar | 1 |
| 81 | 13510 | Sperrklinke mont. | Catch Assy. | 2 |
| 82 | 13140 | Bolzen | Bolt | 2 |
| 83 | 06755 | S-SCHEIBE 5 DIN6799 VERZ | Circlip 5 | 2 |
| 84 | 09191 | FORMSCHRAUBE M8*47 N ZG | Special form screw | 2 |
| 85 | 06465 | SCHEIBE A8,4 DIN125-ST VERZ | Washer | 2 |
| 86 | 13294 | Holm-Spanngriff | bar tension grip | 2 |
| 87 | 13460 | Gelenkbolzen | Joint bolt | 2 |
| 88 | 13156 | S-Scheibe DIN6799-19-SnBz8 | Circlip | 2 |
| 90 | 13248 | Bowdenzugverbinder | Cable connector | 1 |
| 95 | 12032 | ZK-Schraube 3,5x20 KB | ZK-screw 3,5x20 KB | 4 |