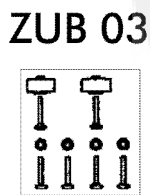
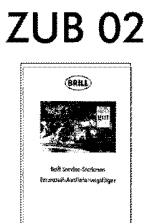
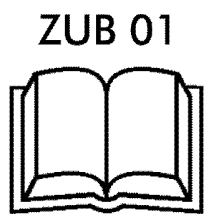
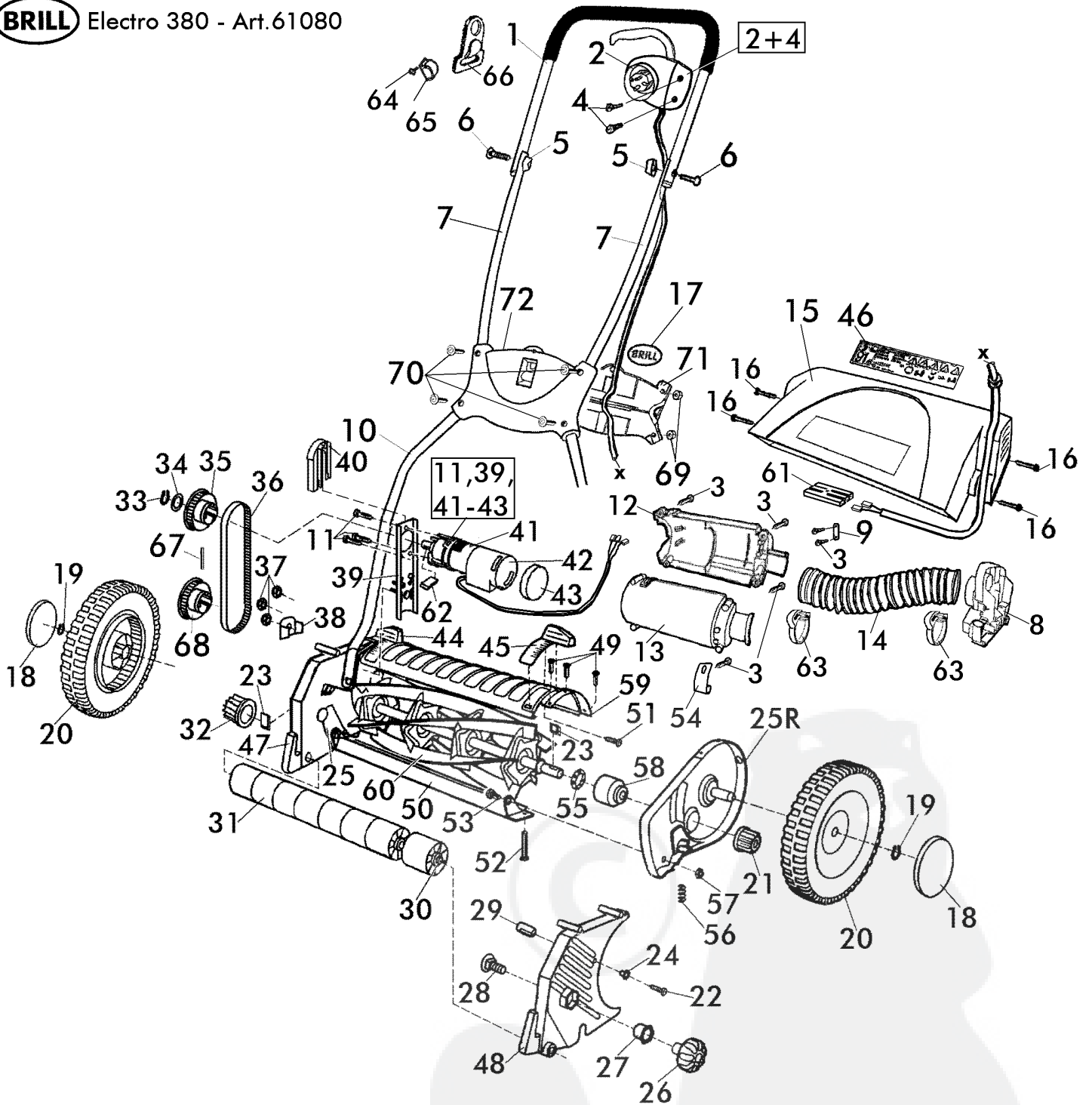


BRILL Electro 380 - Art.61080



| 2/3 | | Electro-Spindelmäher | |  | Electro 380 - Art.61080 |
|------------------------------|--------------------------------------|------------------------------------|-----------------------------------|----------------------------------------------------------------------------------|-------------------------|
| 2003 | | Electric Hand Lawnmower | | | |
| Upd: 01.04 | | Tondeuse à main électrique | | | |
| Bild Nr. REF.N° POS.N° | BEST.-NR. PART-NO. NO d. PIECE | BEZEICHNUNG | DESCRIPTION | Anzahl Qty. Qte. | |
| 1 | 12931 | HOLM-OBERTEIL KPL.M.SOFT GRIPP | UPPER HANDLE BAR INCL.SOFT GRIP | 1 | |
| 2 + 4 | 12761 | I/O-SCHALTER I=8 A | TWO.HAND SAFTEY-SWITCH 8A | 1 | |
| 3 | 06792 | ZYB-SCHRAUBE DIN 7971 B4,2x19 | SCREW DIN 7971 B4,2x19 | 5 | |
| 4 | 12032 | ZK-SCHRAUBE 3,5x20KB | ZK-SCREW | 2 | |
| 5 | 02690 | FLÜGELMUTTER | WRING NUT | 2 | |
| 6 | 11523 | FLR-SCHRAUBE DIN 603-5X35 | FLR-SCREW | 2 | |
| 7 | 13108 | HOLM-MITTELTEIL 65035-2003 | MIDDLE HANDLE BAR 2003 | 2 | |
| 8 | 13042 | LUFTFÜHRUNG | AIR GUIDE | 1 | |
| 9 | 11832 | KABELKLEMME 2 | CLAMP 2 | 1 | |
| 10 | 13114 | GESTÄNGE-UNTERTEIL 61080 | LOWER HANDLE BAR 2003 | 1 | |
| 12 | 13043 | MOTORKAPSELUNG LKS | ENGINE COVER LEFT | 1 | |
| 13 | 13044 | MOTORKAPSELUNG RTS | ENGINE COVER RIGHT | 1 | |
| 14 | 13128 | SPIRALSCHLAUCH 30mm | FLEXIBLE TUBE 30 mm | 1 | |
| 15 | 13196 | HAUBE Elektro 380 BEDRUCKT | COVER Electro 380 | 1 | |
| 16 | 08541 | SCHRAUBE D 7981-4,2X32 | SCREW | 4 | |
| 17 | 10571 | BRILL-LOGO | BRILL-LOGO | 1 | |
| 18 | 11100 | RADKAPPE RAL9005 | WHEEL COVER | 2 | |
| 19 | 06496 | SICHERUNGSRING D 471-15x1 | SEEGERRING | 2 | |
| 20 | 11087 | LAUFRAD KPL RAL 2002 | WHEEL | 2 | |
| 21 | 00464 | SPERRZAHNRAD,RECHTS | RATCHET WHEEL /R | 1 | |
| 22 | 11020 | SKT-SCHRAUBE DIN 7976-B3,9x13 | SCREW | 2 | |
| 23 | 00451 | SPERRHAKEN 70060 | BLOCK-CLAMP | 2 | |
| 24 | 03296 | SCHEIBE | WASHER | 2 | |
| 25 | 13097 | SEITENBACKE LKS. 65035 KPL. 2003 | FRAME L.H. 2003 | 1 | |
| 25 R | 13098 | SEITENBACKE RTS. KPL.GEP. 2003 | FRAME R.H. 2003 | 1 | |
| 26 | 00310 | HANDRAD 70060 | ARRESTOR GRIP | 2 | |
| 27 | 00358 | SPANNTOPF | LOCK SPACER | 2 | |
| 28 | 00326 | FLR-SCHRAUBE D 603-10x25 | SCREW | 2 | |
| 29 | 00665 | GESTAENGE BOLZEN 70060 | BOLT | 2 | |
| 30 | 08206 | LAUFROLLENACHSE 38 | REAR ROLLER AXLE 38 | 1 | |
| 31 | 00441 | LAUFROLLE 70060 | REAR ROLLER | 7 | |
| 32 | 11399 | SPERRZAHNRAD LKS | RATCHET WHEEL 2/LEFT | 1 | |
| 33 | 09131 | SICHERUNGSRING | SEEGERRING | 1 | |
| 34 | 13314 | KSTST.-SCHEIBE schwarz | PLASTIC-WASHER black | 1 | |
| 35 | 11378 | ZAHNRIEMENSCHLEIBE | GEAR WHEEL | 1 | |
| 36 | 11389 | ZAHNRIEMEN HDT-390-3M-9 | TOOTH BELT | 1 | |
| 37 | 06682 | SI-MUTTER DIN 985-5 | NUT | 3 | |
| 38 | 11385 | SPANNKEIL | TENSION KEY | 1 | |
| 40 | 13205 | STAUBSCHUTZKAPPE | DUST COVER | 1 | |
| 11, 39, 41-43 | 13127 | MOTOR-/GETRIEBE-EINHEIT KPL. 61080 | ENGINE/TRANSMISSION ASSAMBLED CPL | 1 | |
| 43 | 11391 | SCHAUMFILTER | FOAM | 1 | |
| 44 | 13130 | SCHIEBEGRIFF LKS. BEDR. | HIGH ADJUSTMENT GRIP L.H. | 1 | |
| 45 | 13131 | SCHIEBEGRIFF RTS BEDR | HIGH ADJUSTMENT GRIP R.H. | 1 | |
| 46 | 13115 | WARN-TYPENSCHILD 61080 | TYPE PLATE 61080 | 1 | |
| 47 | 11684 | LAUFROLLENLAGER LKS | REAR ROLLER BEARING LEFT | 1 | |
| 48 | 11685 | LAUFROLLENLAGER RTS | REAR ROLLER BEARING RIGHT | 1 | |
| 49 | 00608 | SPIRALFORMSCHRAUBE | SCREW | 6 | |
| 50 | 11096 | UNTERMESSE 38 CM | LOWER BLADE 38 | 1 | |
| 51 | 06820 | SCHRAUBE DIN 7981-4,2X13 | SCREW | 2 | |
| 52 | 00116 | SCHRAUBE M.KUGELKOPF | SCREW | 2 | |
| 53 | 03424 | BOLZEN | BOLT | 2 | |
| 54 | 13046 | BEFESTIGUNGSWINKEL | FASTENING ANGLE | 1 | |
| 55 | 00493 | KUGELLAGER KL 5,14 | BALL BEARING KL 5 | 2 | |

| 3/3 | Electro-Spindelmäher | |  | Electro 380 - Art.61080 |
|------------------------------|--------------------------------------|-----------------------------|----------------------------------------------------------------------------------|--------------------------------|
| 2003 | Electric Hand Lawnmower | | | |
| Upd: 01.04 | Tondeuse à main électrique | | | |
| Bild Nr. REF.N° POS.N° | BEST.-NR. PART-NO. NO d. PIECE | BEZEICHNUNG | DESCRIPTION | Anzahl Qty. Qte. |
| 56 | 00682 | FEDER 70060 | SPRING | 2 |
| 57 | 06684 | S-MUTTER DIN 985-8 | NUT | 2 |
| 58 | 00521 | WICKELSCHUTZ 70060 | DRILL GUARD | 2 |
| 59 | 11099 | VERBINDUNGSGEHÄUSE 65035 | CONNECTION HOUSING | 1 |
| 60 | 11373 | MESSERWALZE 38 cm | BLADE CYLINDER | |
| 61 | 12871 | ISO-KÖRPER 3-POLIG | CABLE BODY 3-P | 1 |
| 62 | 11624 | SPERRHAKEN GEHÄRTET | HARDENER BLOCK-CLAMP | 1 |
| 63 | 13201 | KABELBINDER TK80RW | CABLE CLAMP TK80RW | 2 |
| 64 | 08722 | SCHRAUBE DIN 7981 | SCREW | 1 |
| 65 | 11311 | ANSCHLAG D=20 MM | STOP PIN | 1 |
| 66 | 10962 | ZUGENTLASTUNG , SCHWARZ | CABLE CONTROL | 1 |
| 67 | 11384 | SPIRALSPANNSTIFT 4040 | PIN | 1 |
| 68 | 13300 | ZAHNRIEMENRAD 2 | GEAR WHEEL 2 | 1 |
| 69 | 11049 | SKT-MUTTER DIN 985-M6 | Nut DIN 985-M6 | 4 |
| 70 | 13116 | FLK-SCHRAUBE ISO7045-6x30 | SCREW ISO 7045-6x30 | 4 |
| 71 | 12928 | KOTEN-GEHÄUSE VORDERTEIL | FRONT JOINT BODY | 1 |
| 72 | 12929 | KNOTEN-GEHÄUSE-RÜCKTEIL | REAR JOINT BODY | 1 |
| ZUBEHÖR | | ACCESSORIES | | |
| ZUB01 | 12939 | GEBRAUCHSANWEISUNG 61080 | USEING MANUAL 61080 | 1 |
| ZUB02 | 00563 | BRILL-Service-Verzeichnis | BRILL-Service-Booklet | 1 |
| ZUB 03 | 13309 | ZUBEHÖRBEUTEL | ACCESSORIES ASSY. | 1 |
| 5 | 02690 | FLÜGELMUTTER | WRING NUT | 2 |
| 6 | 11523 | FLR-SCHRAUBE DIN 603-5X35 | FLR-SCREW | 4 |
| 69 | 11049 | SKT-MUTTER DIN 985-M6 | NUT DIN 985-M6 | 4 |
| 70 | 13116 | FLK-SCHRAUBE ISO7045-6x30 | SCREW ISO 7045-6x30 | 4 |
| ZUB05 | 08183 | EINSTELLEHRE Z.SCHNITT 0,05 | ADJUSTING GAUGE 0,05 | 1 |