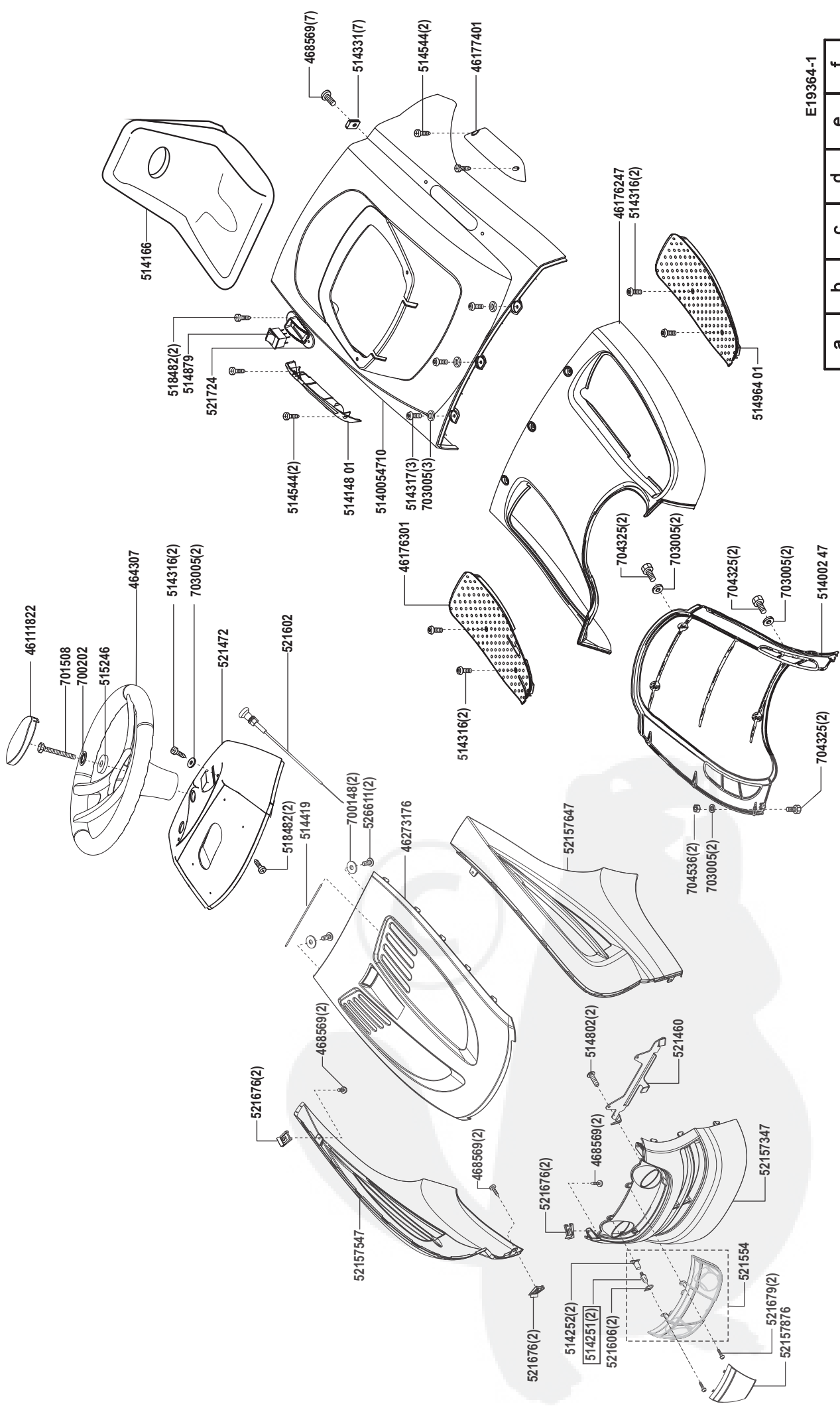


Crossover 102/16h

Art. 119364

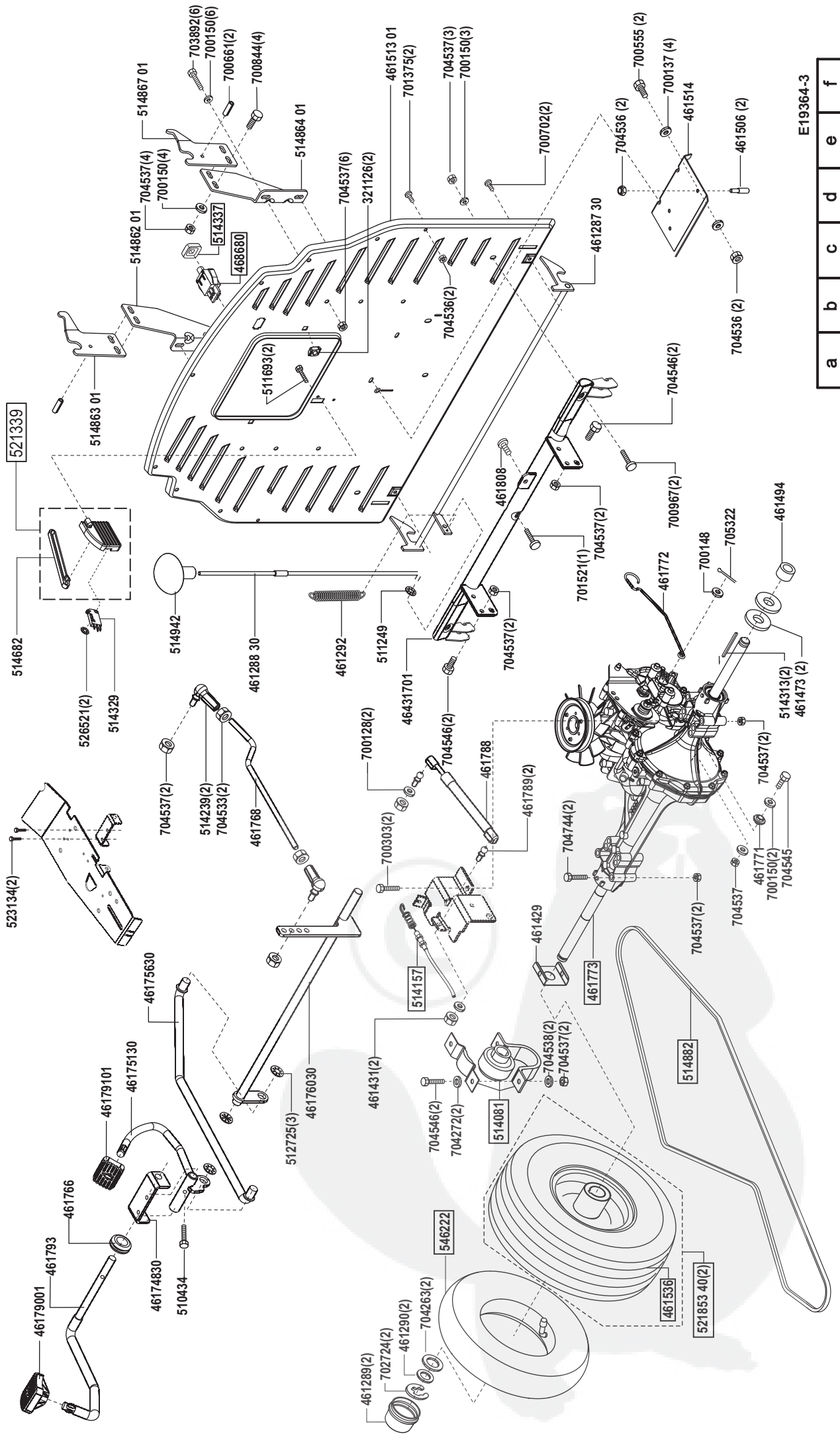


E19364-1

a	b	c	d	e	f
---	---	---	---	---	---

Crossover 102/16h

Art. 119364

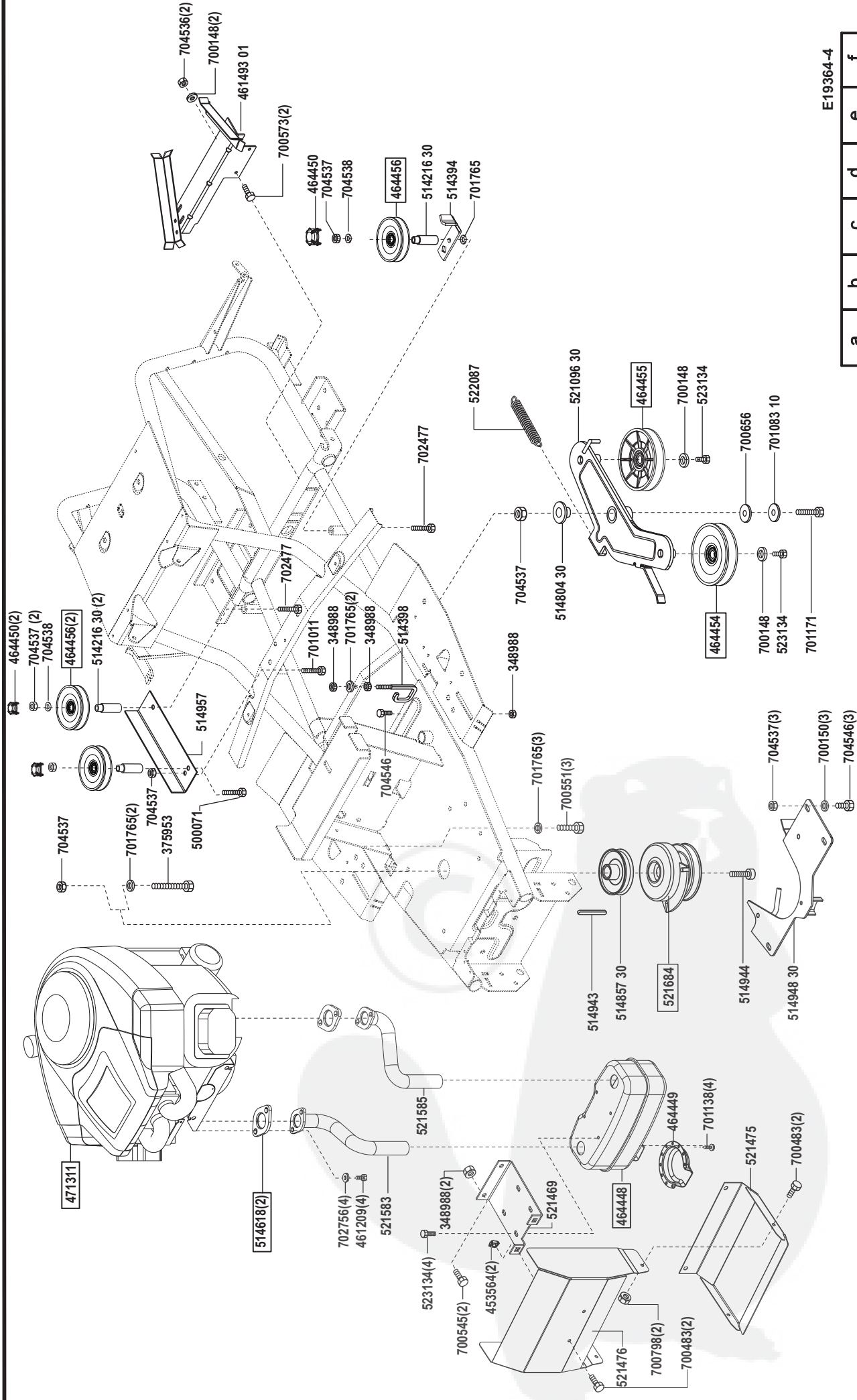


E19364-3

a	b	c	d	e	f
---	---	---	---	---	---

Crossover 102/16h

Art. 119364

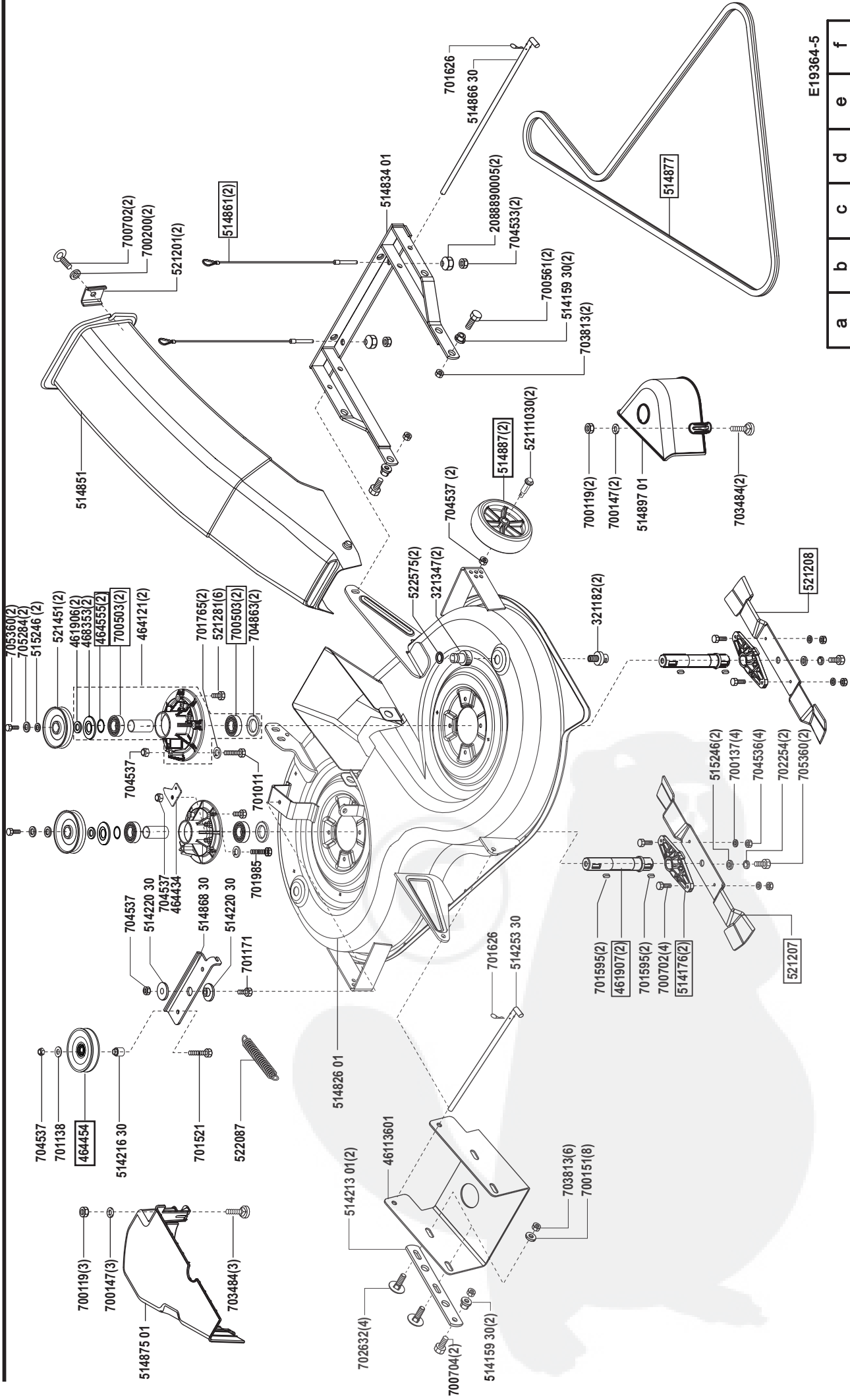


E19364-4

a	b	c	d	e	f
---	---	---	---	---	---

Crossover 102/16h

Art. 119364

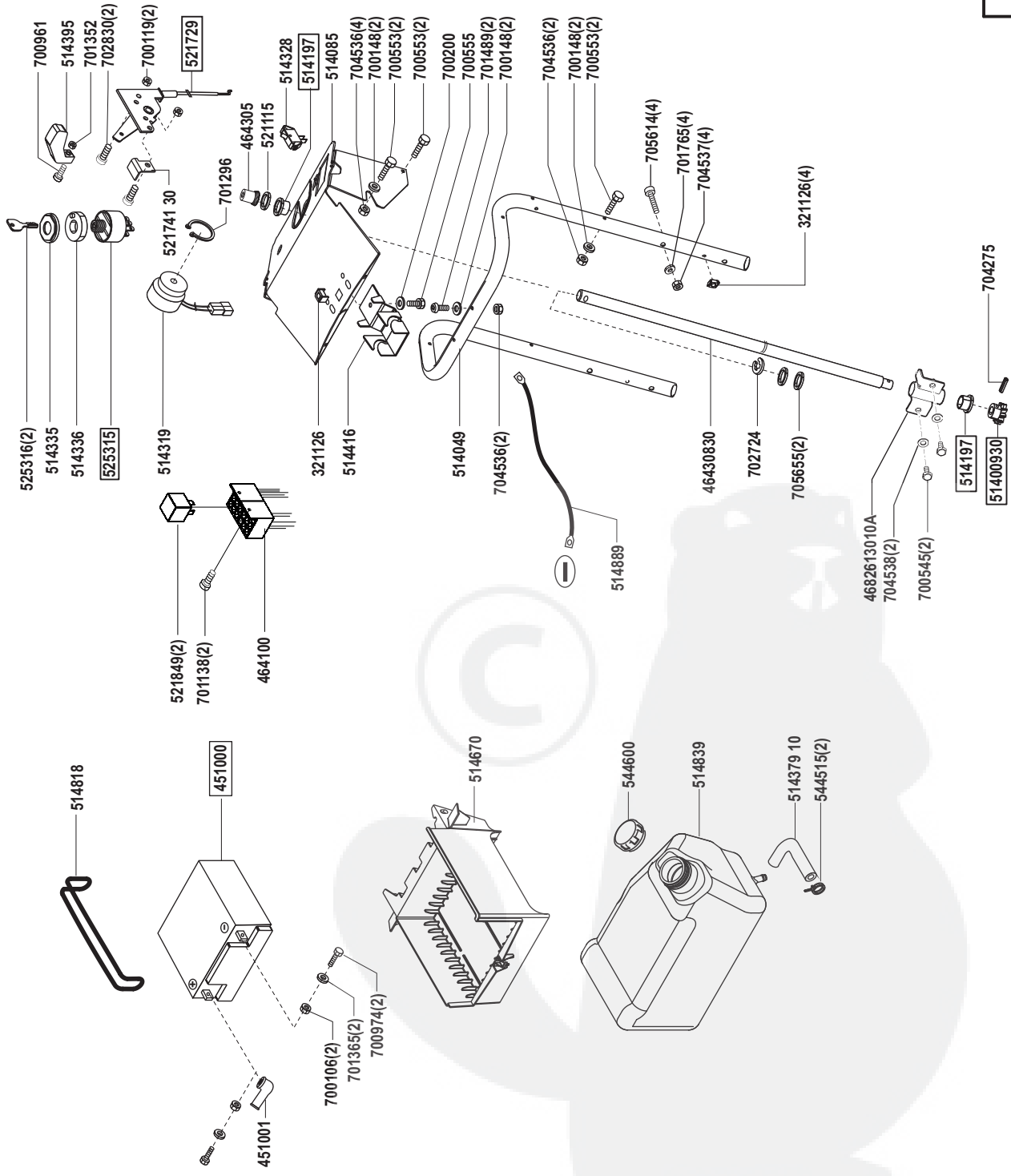


E19364-5

a	b	c	d	e	f
---	---	---	---	---	---

Crossover 102/16h

Art. 119364

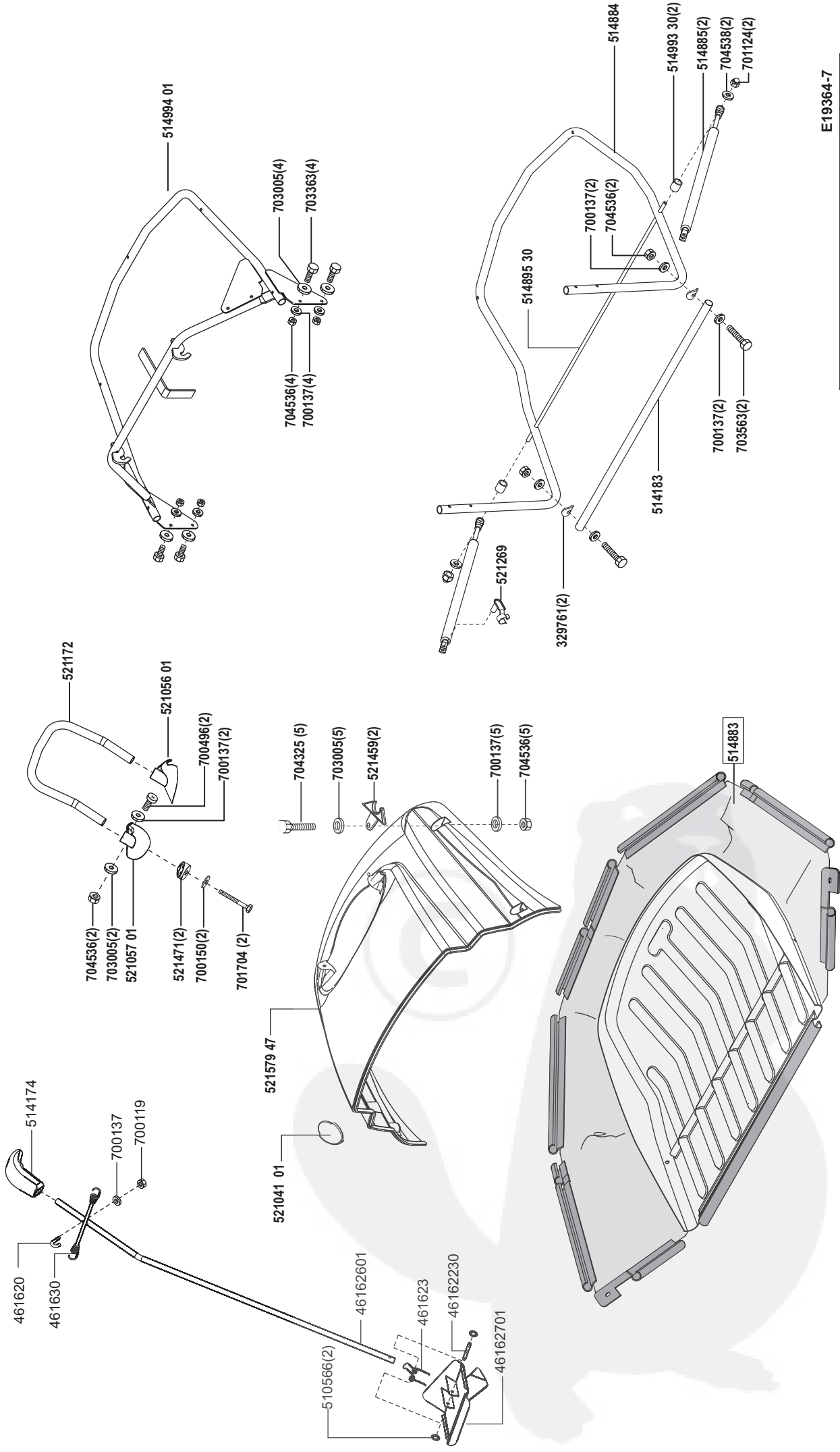


E19364-6

a	b	c	d	e	f
02/11					

Crossover 102/16h

Art. 119364



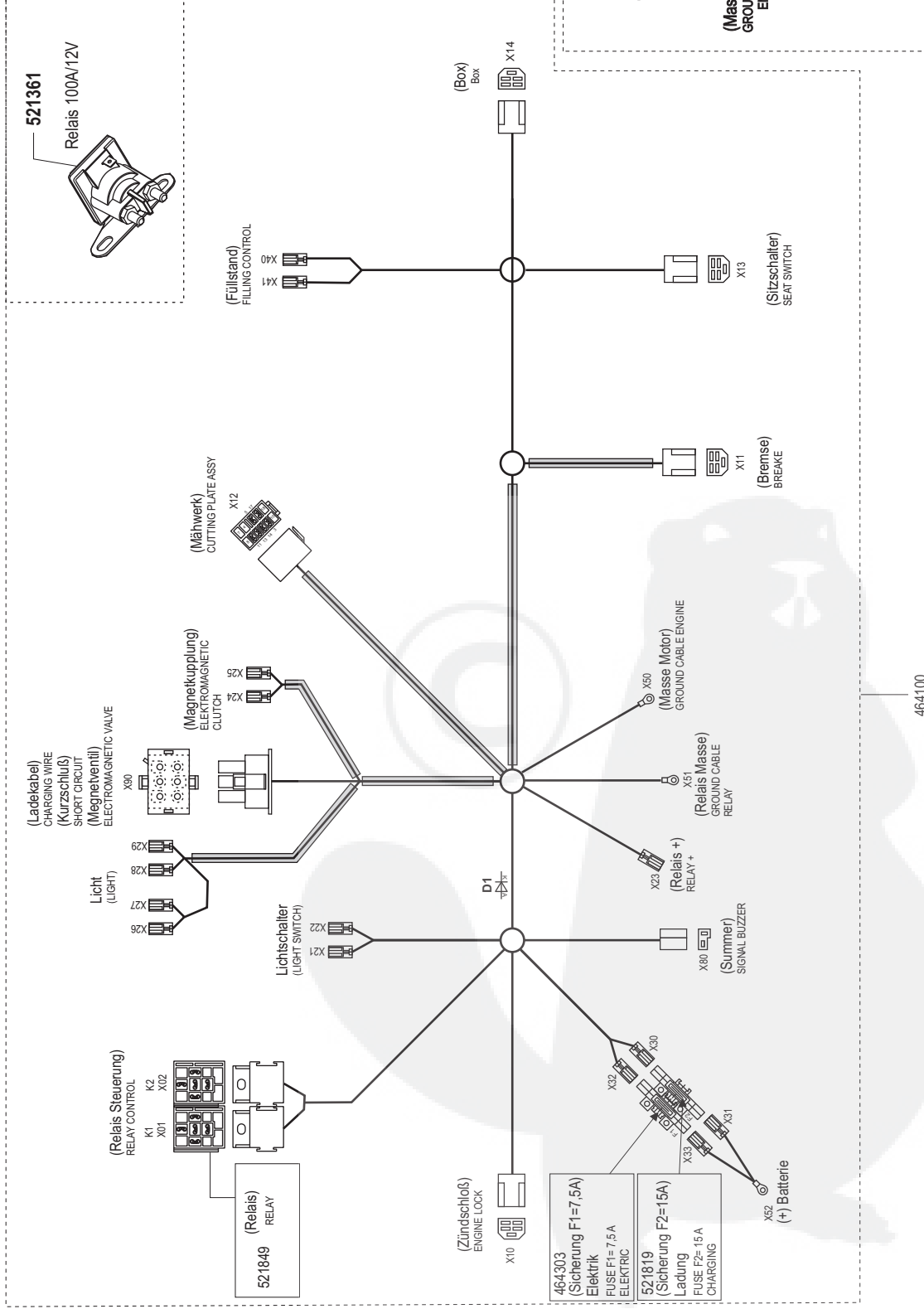
E19364-7

a	b	c	d	e	f
---	---	---	---	---	---

Crossover 102/16h

Art. 119364

(Sicherung) FUSE	F1 F2
(Summer) SIGNAL BUZZER	X80
(Ladefaktor) CHARGING WIRE (Kurzschluss) SHORT CIRCUIT (Magnetventil) ELECTROMAGNETIC VALVE	X80
(Bremsen) BRAKE	X11
(Sitzschalter) SEAT SWITCH	X13
(Box) Box	X14
(Zündschloß) ENGINE LOCK	X10
D1	
(Mähwerk) CUTTING PLATE ASSY	X12
(Relais Steuerung) RELAY CONTROL	K1 X01
(Relais Steuerung) RELAY CONTROL	K2 X02



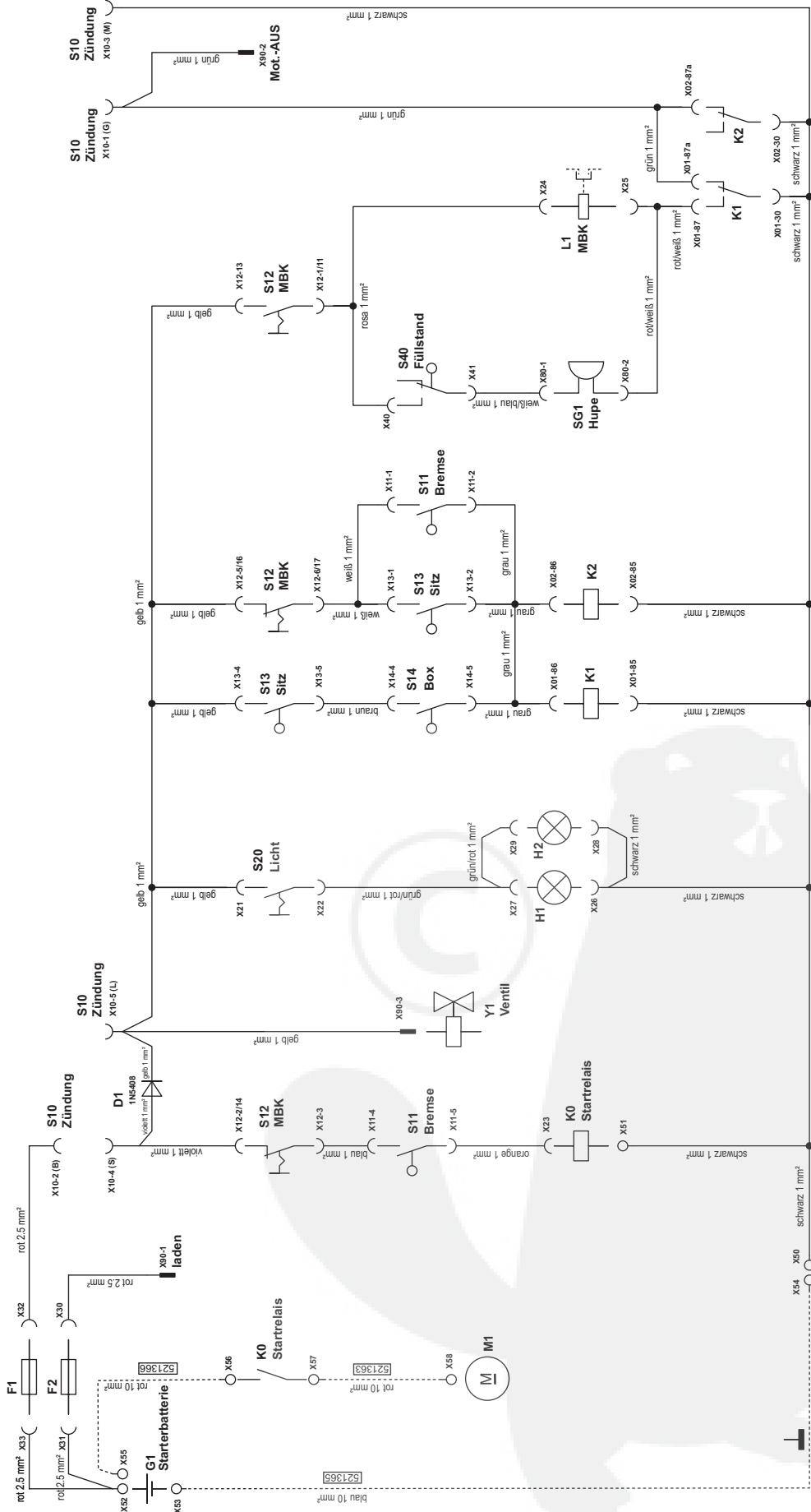
464100

E19364-8

a	b	c	d	e	f
---	---	---	---	---	---

Crossover 102/16h

Art. 119364



E19364-9

a	b	c	d	e	f
---	---	---	---	---	---