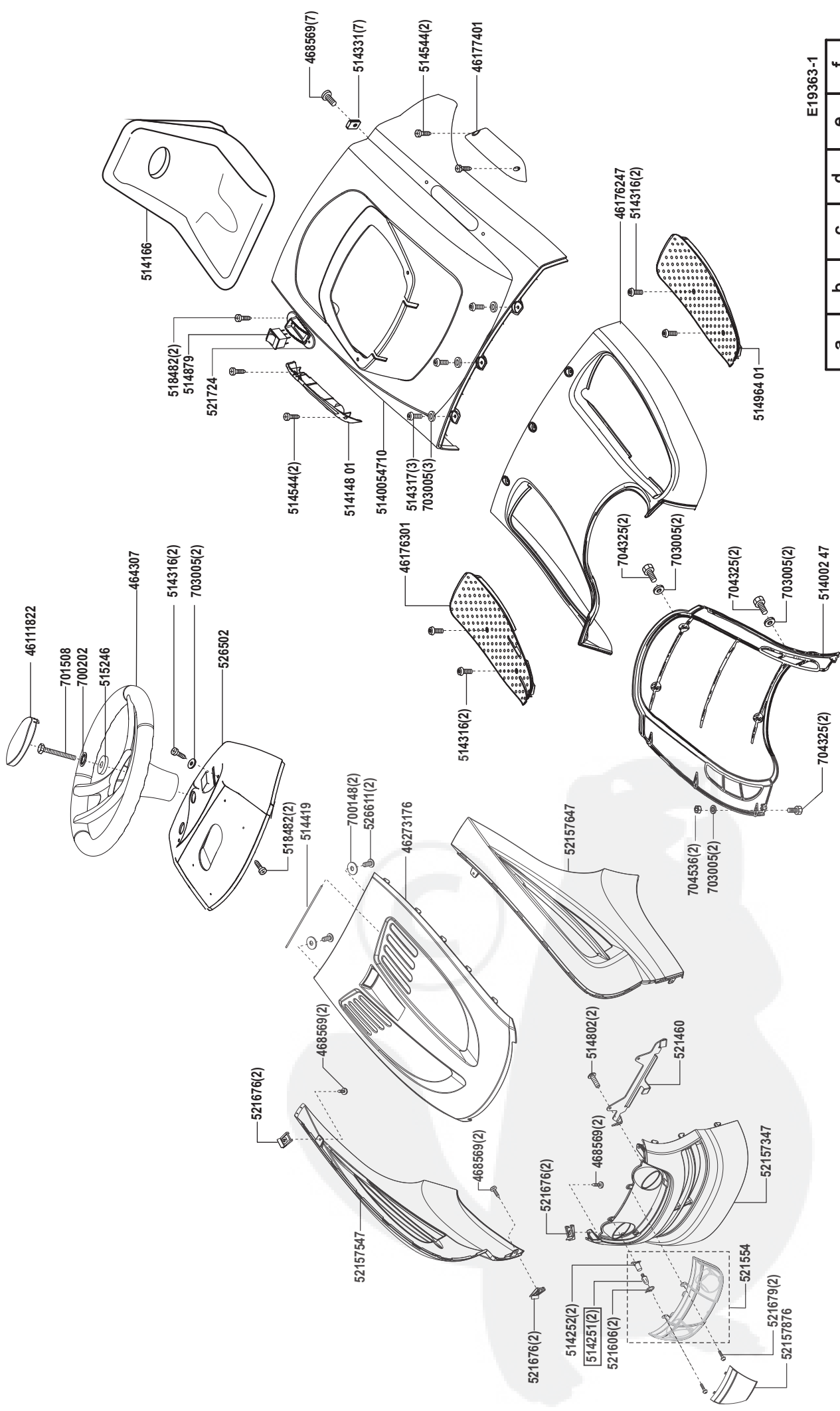


# Crossover 102/18h

Art. 119363



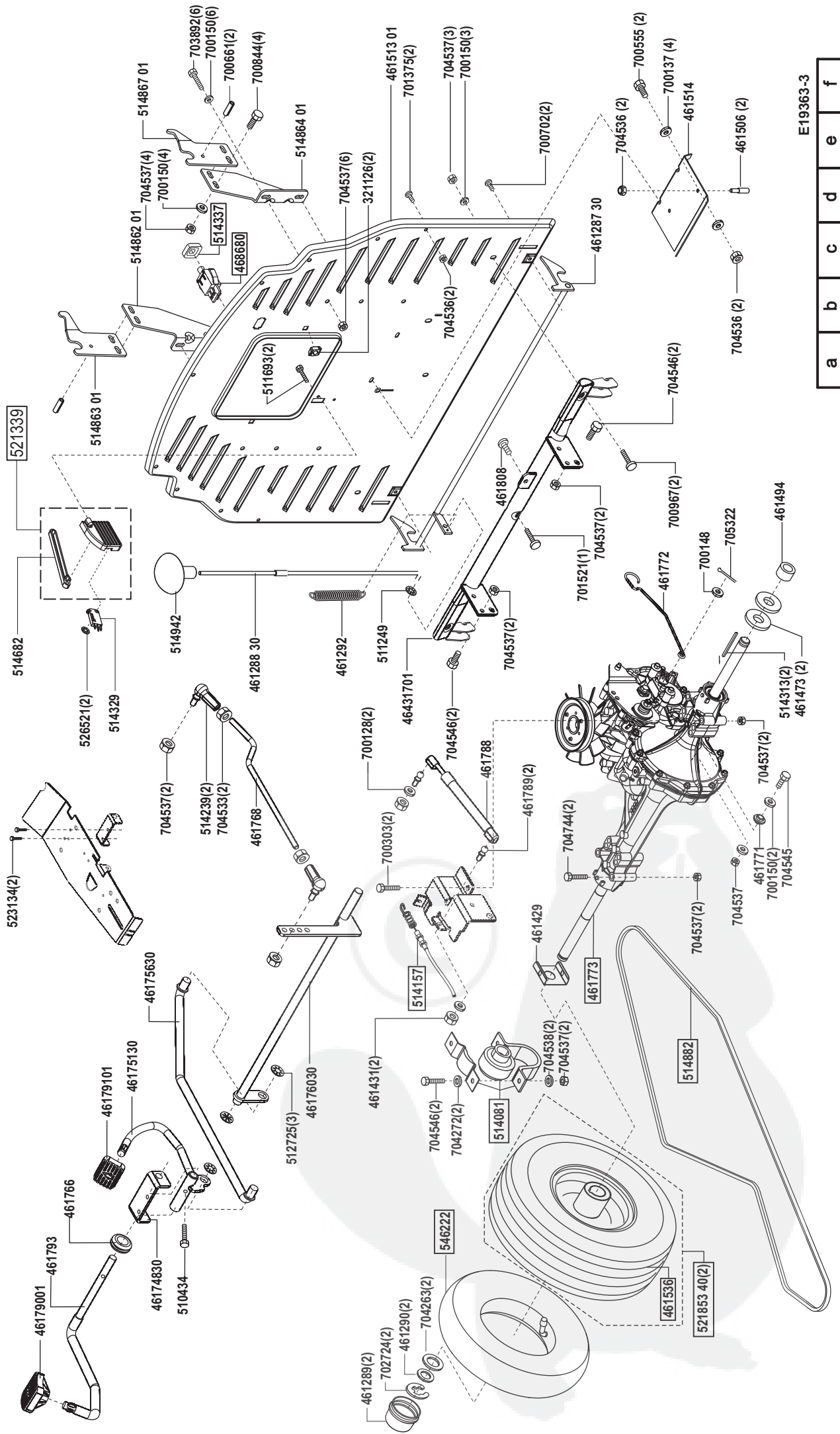
E19363-1

a	b	c	d	e	f
---	---	---	---	---	---



# Crossover 102/18h

Art. 119363

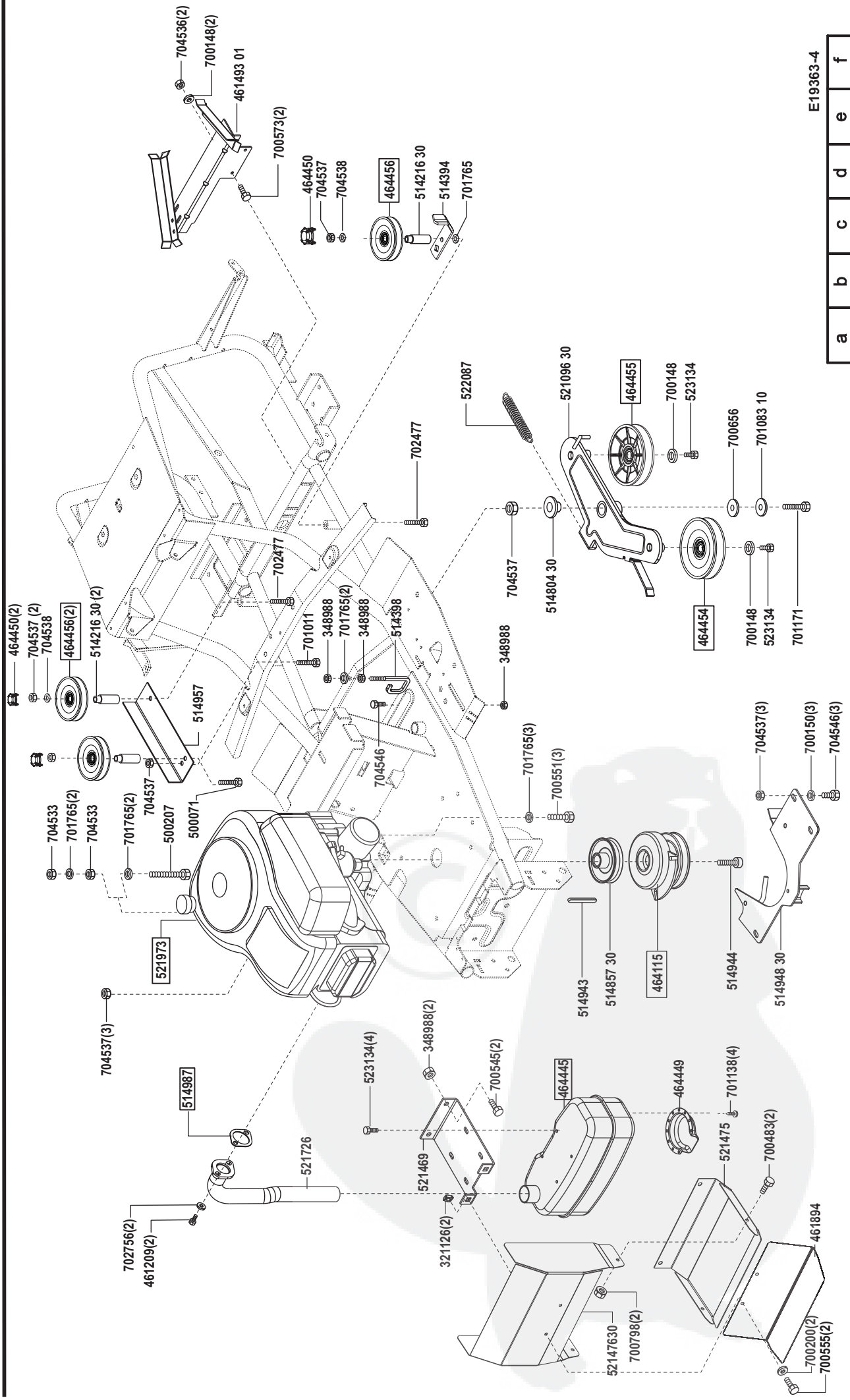


E19363-3

a	b	c	d	e	f
---	---	---	---	---	---

# Crossover 102/18h

Art. 119363

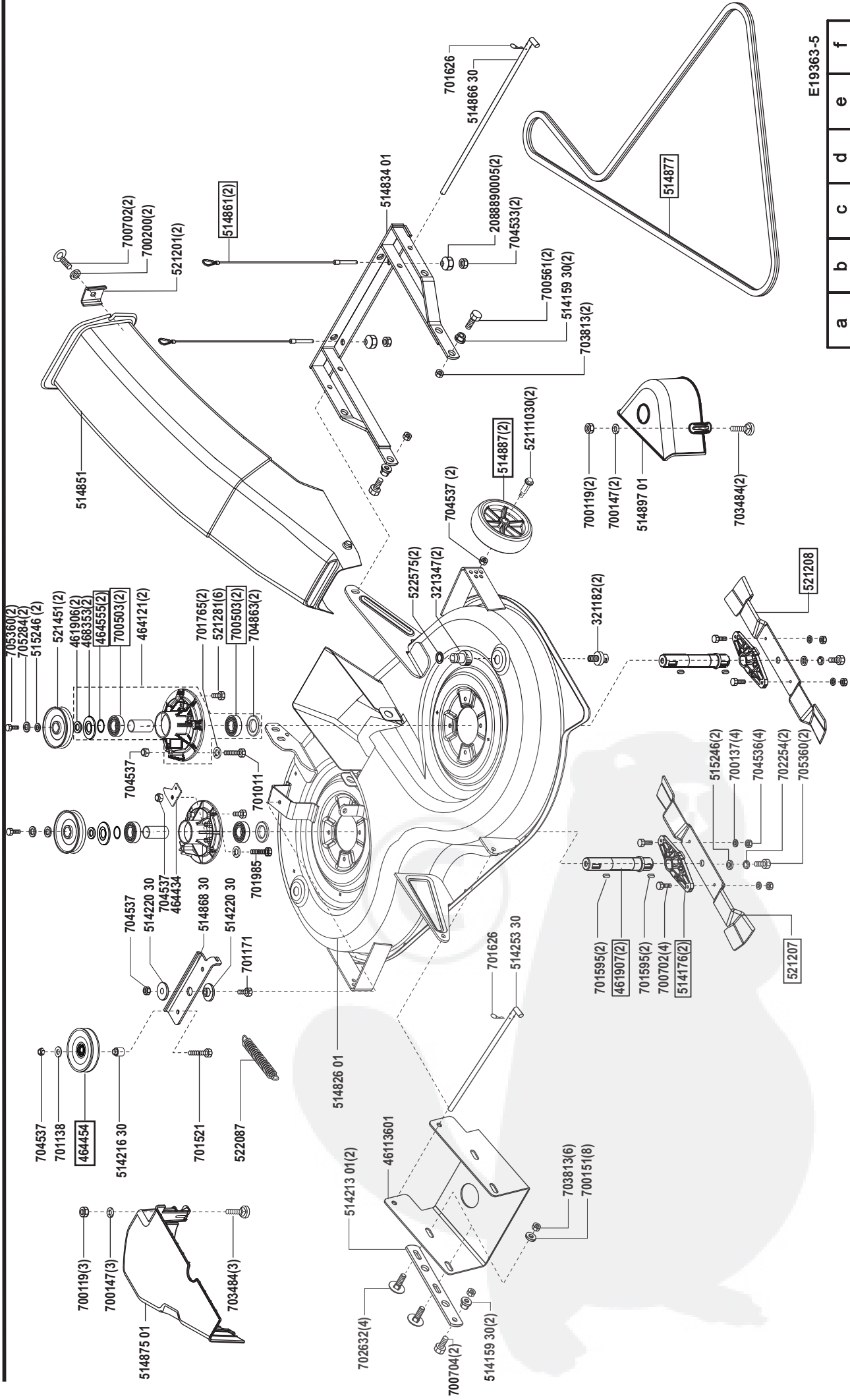


E19363-4

a	b	c	d	e	f
---	---	---	---	---	---

# Crossover 102/18h

Art. 119363



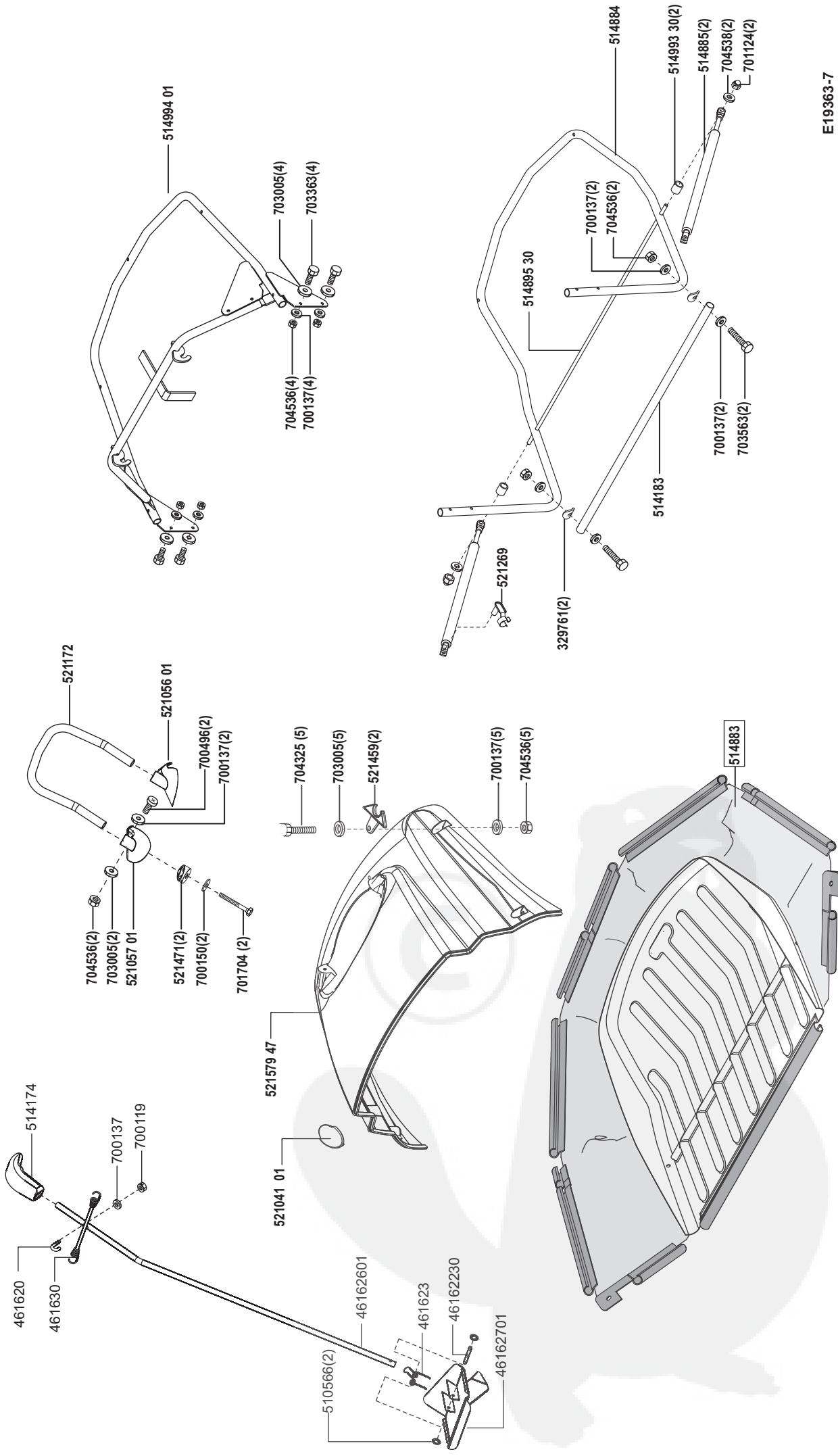
E19363-5

a	b	c	d	e	f
---	---	---	---	---	---



# Crossover 102/18h

Art. 119363



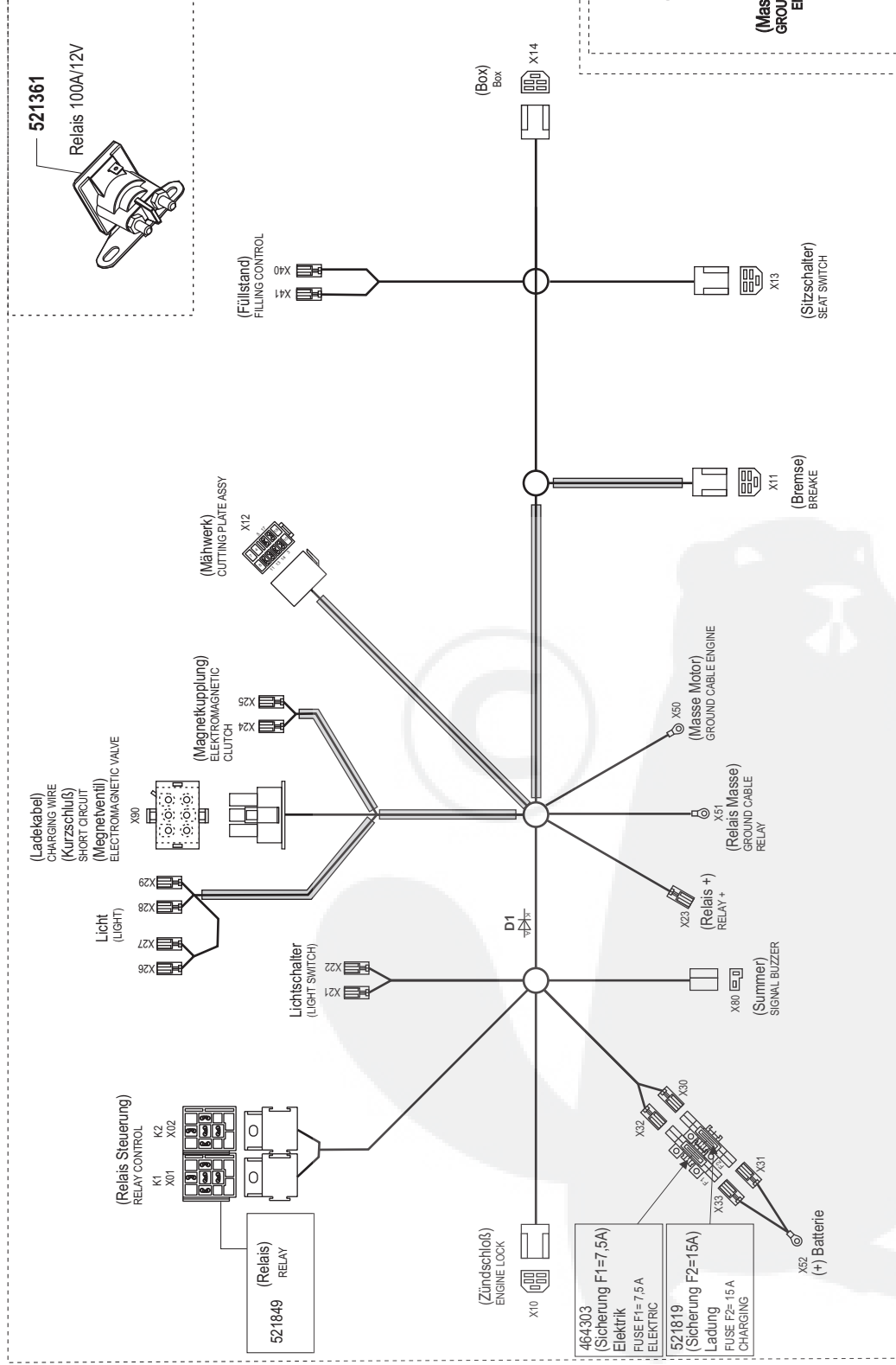
E19363-7

a	b	c	d	e	f
---	---	---	---	---	---

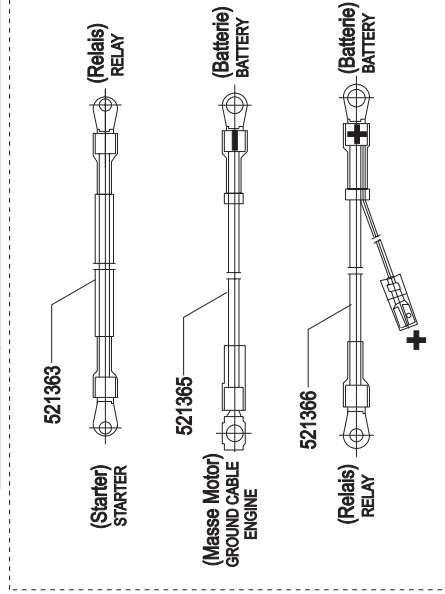
# Crossover 102/18h

Art. 119363

(Sicherung) FUSE	F1 F2
(Summer) SIGNAL BUZZER	X80
(Ladefaktor) CHARGING WIRE (Kurzschluss) SHORT CIRCUIT (Magnetventil) ELECTROMAGNETIC VALVE	X80
(Bremsen) BRAKE	X11
(Sitzschalter) SEAT SWITCH	X13
(Box) Box	X14
(Zündschloß) ENGINE LOCK	X10
D1	
(Mähwerk) CUTTING PLATE ASSY	X12
(Relais Steuerung) RELAY CONTROL	K1 X01
(Relais Steuerung) RELAY CONTROL	K2 X02



464100



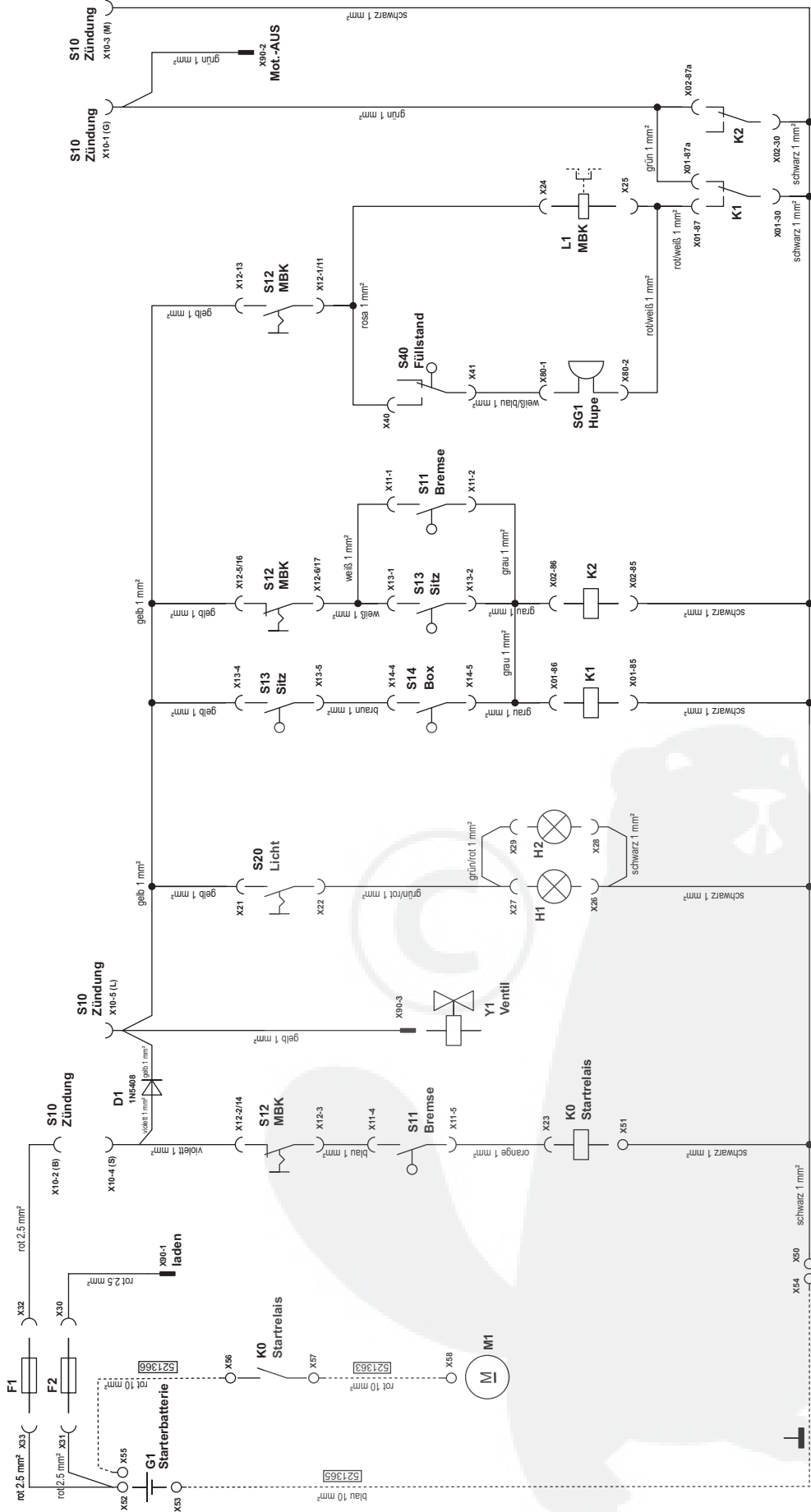
E19363-8

a	b	c	d	e	f
---	---	---	---	---	---



# Crossover 102/18h

Art. 119363



E19363-9

a	b	c	d	e	f
---	---	---	---	---	---