

ALKO

PARTS LIST

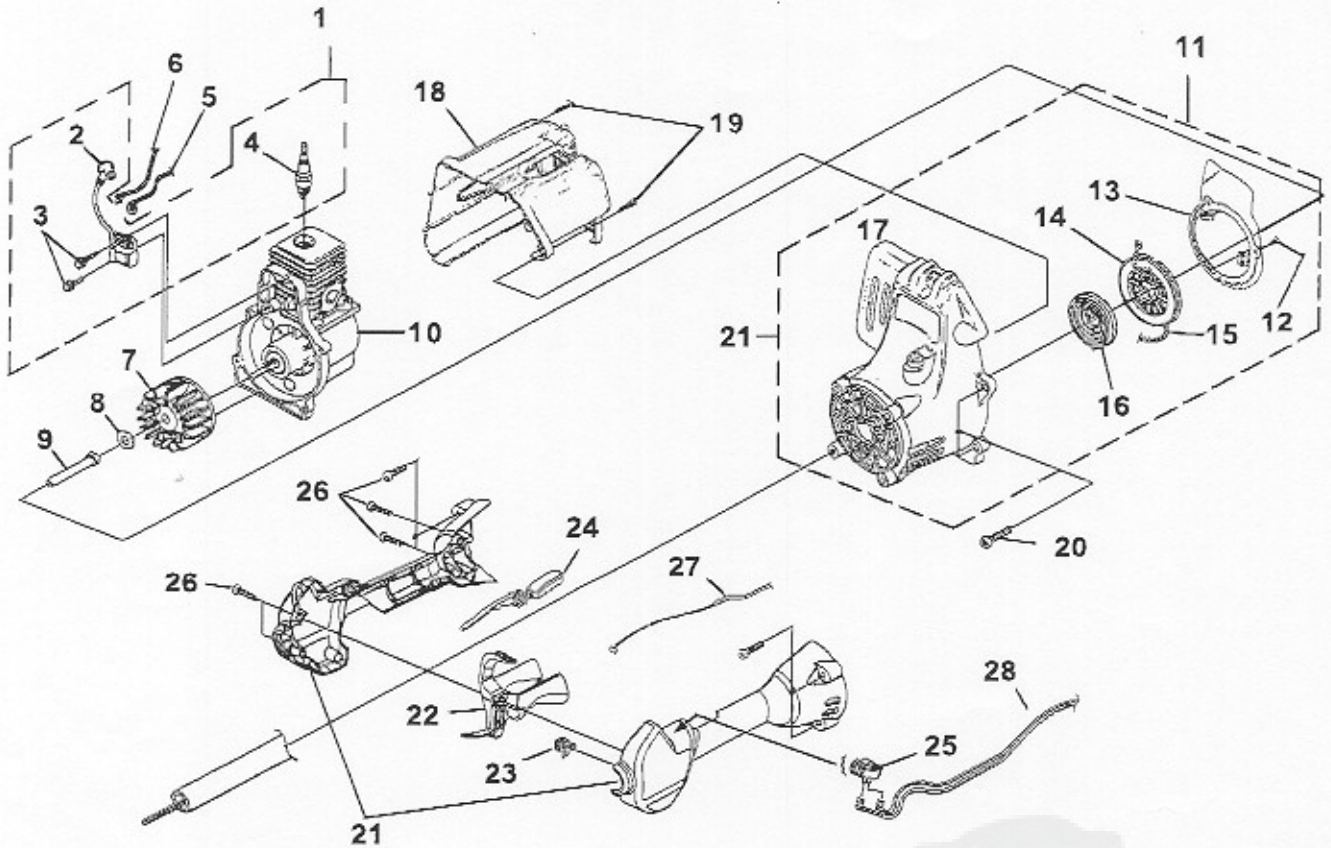
Trimmer

FRS250 UT20793

M2 039

PART NO. PS03483

IGNITION - ROTOR - STARTER



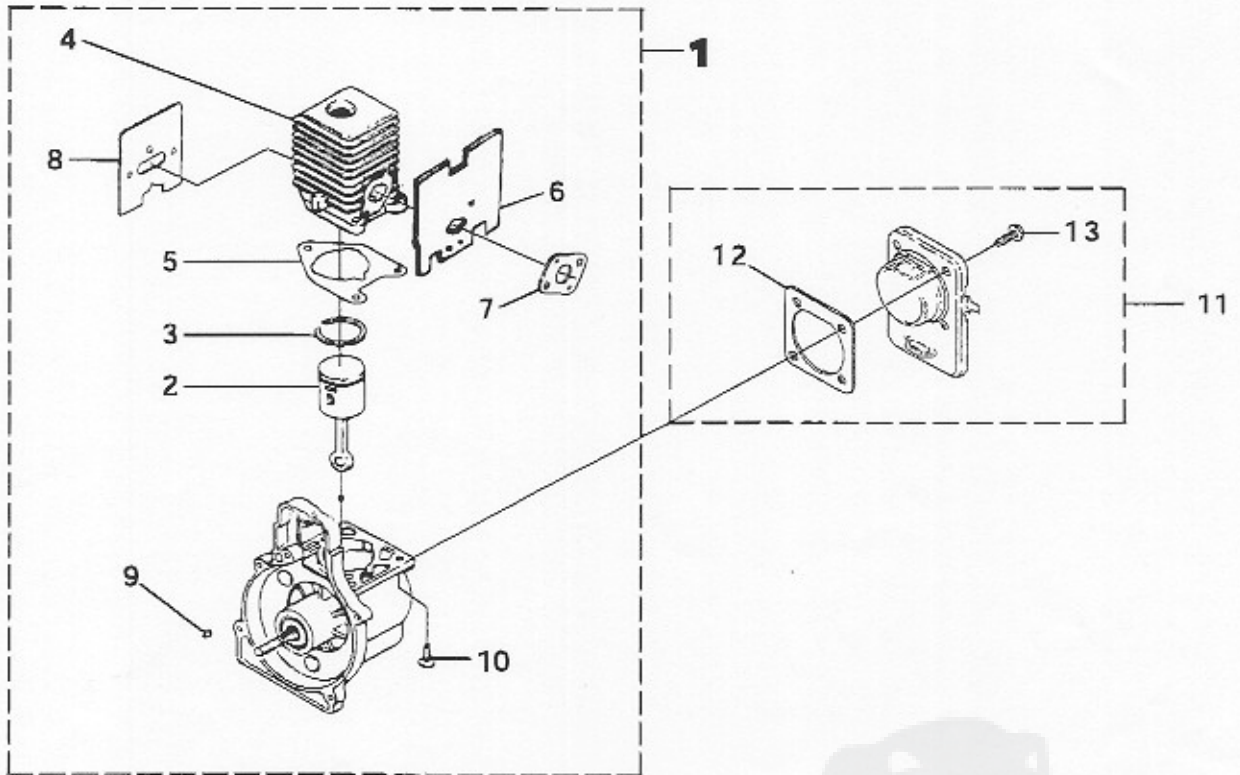
No.	Part No.	Description	Qty.
1	UP 03858	IGNITION KIT	1
	UP 03868	TERMINAL & COVER	1
3	UP 03896	SCREW-Tapite (8-32 X 1")	2
4	UP 03883	SPARK PLUG (RDJ-7Y)	1
5	A 06964	LEAD-Electrical	1
6	A 06963	LEAD-Electrical	1
7	UP 03856	ROTOR KIT	1
8	UP 03906	WASHER-Flat	1
9	UP 04271	CONNECTOR AND DRUM	1
10	UP 03117	SHORT BLOCK (See Engine Internal)	1
11	UP 00132	COMPLETE STARTER ASSEMBLY	1
12	UP 04164	SCREW-Thread Form (8-16 X 1/2")	3
13	UP 03013	BAFFLE-Air	1
14	UP 04349	PULLEY-Starter	1
15	UP 03912	ROPE-Starter (42")	1
16	UP 03917	SPRING & CONTAINER	1
17	UP 04276	GRIP-Starter (Yellow)	1
18	UP 00023	HOUSING-Rear Kit	1
19	UP 03895	SCREW-Tapite (10-14 X 7/8")	2
20	UP 03406	SCREW-Tapite (10-24 X 3/4")	4

No.	Part No.	Description	Qty.
21	UP 03114	CONTROL HANDLE ASSY.	1
22	UP 03207	TRIGGER-Throttle	1
23	UP 03210	SPRING	1
24	UP 03173	THROTTLE INTERLOCK	1
25	UP 04197	SWITCH	1
26	UP 04247	SCREW-Tapite (10-14 X 1")	9
27	UP 03172	CABLE-Throttle	1
28	UP 03174	LEAD-Electrical	1

Torque Specs			
Item No.	In/Lbs	Nm	Required Loctite
3	30-40	3.4-4.5	Blue 242
4	120-180	13.6-20.3	
12	10-20	1.1-2.3	
19	30-50	3.4-5.6	
20	30-40	3.4-4.5	
26	30-50	3.4-5.6	

Warranty Flat Rate		
Job	Description	Time/Hr.
FA11	Ignition Mod.	.3
FA12	Ground Lead	.3
FG10	Starter	.4
FD12	Engine Housing, Rear	.4
FF13	Trigger, Throttle cable	.3

ENGINE INTERNAL



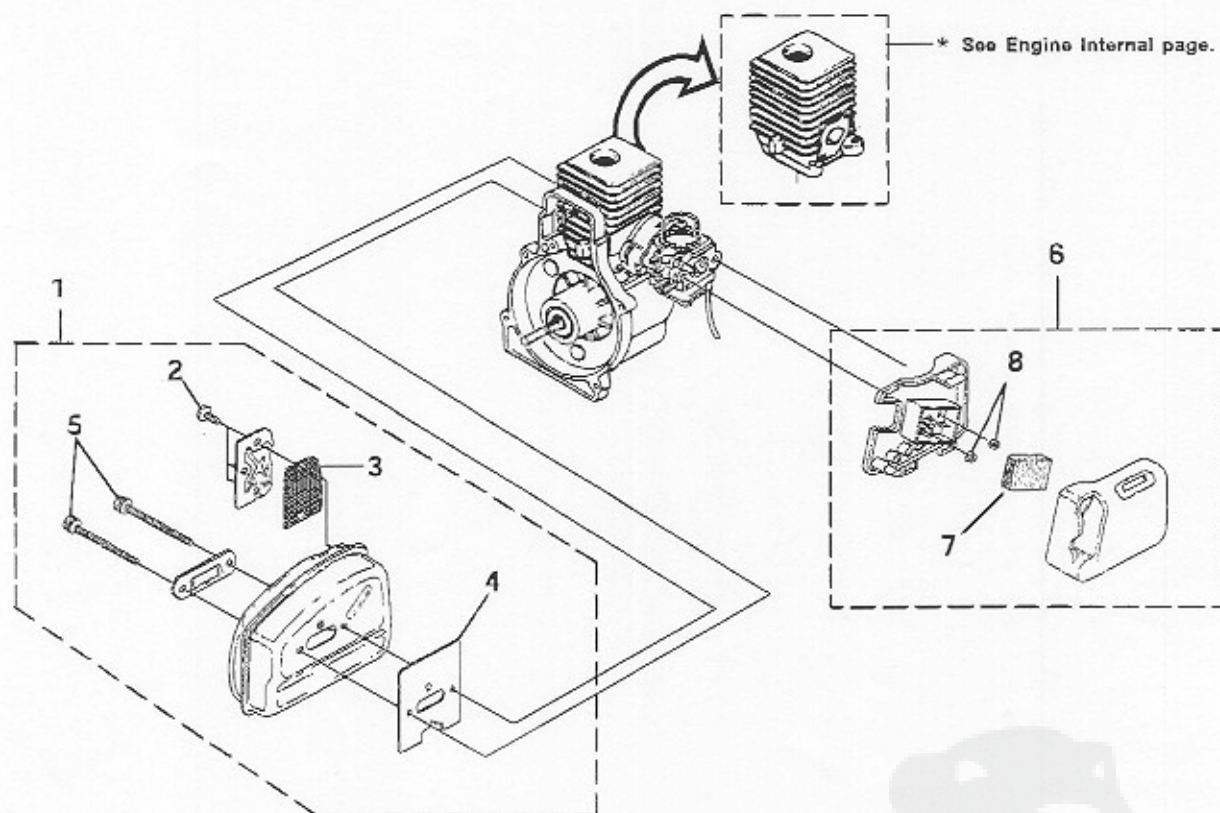
No.	Part No.	Description	Qty.
1	UP 03117	SHORT BLOCK	1
2	UP 00768	PISTON & ROD ASSEMBLY	1
3	09272	RING-Piston	2
4	UP 04136	CYLINDER ASSY.	1
5	UP 03857	GASKET-Cylinder	1
6	UP 04308	GASKET-Heat Dam	1
7	UP 03916	GASKET-Carburetor	1
8	UP 04710	GASKET-Muffler	1
9	UP 03874	KEY-Woodruff	1
10	UP 04345	SCREW-Sems (12-24 X 3/4")	3
11	UP 00019	CRANKCASE COVER ASSEMBLY	1
12	08661	GASKET-Crankcase Cover	1
13	88085 1	SCREW-Sems (10-24 X 1/2")	4

Item No.	Torque Specs		Required Loctite
	In/Lbs	Nm	
10	55-65	6.2-7.3	Red 262
13	35-45	4.0-5.1	Red 262

Warranty Flat Rate		
Job	Description	Time/Hr.
FB10	Partial Rebuild	1.0
FB20	Short Block	1.0
FD25	Crankcase Cover	.3

2/8/2000

MUFFLER - AIR CLEANER

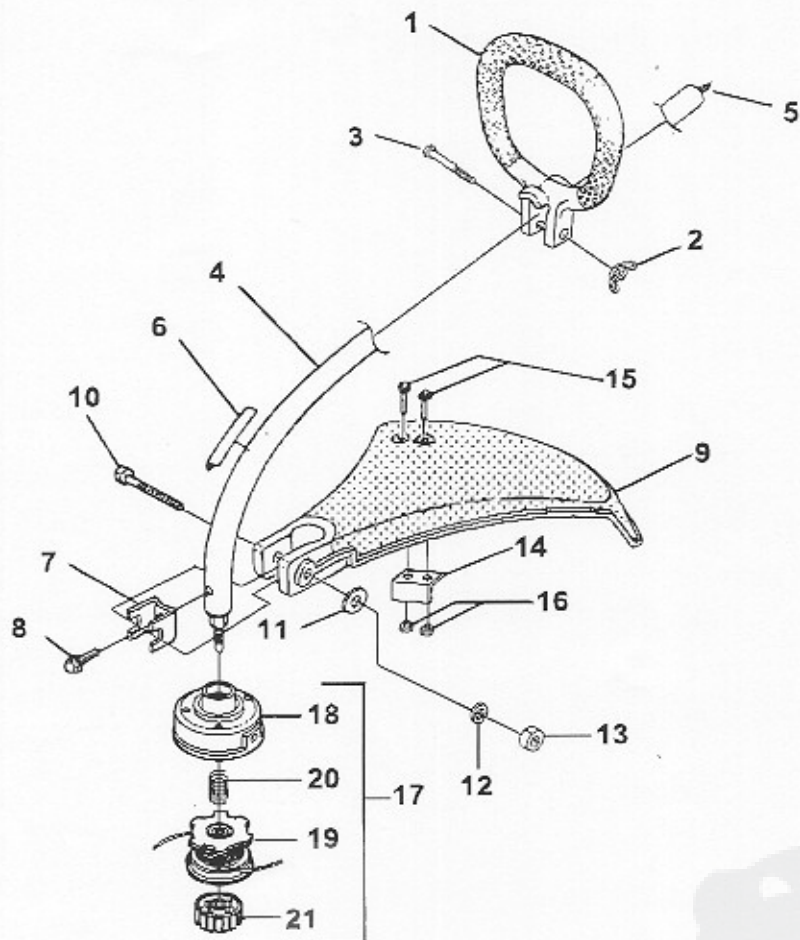


No.	Part No.	Description	Qty.
1	•UP 04634	MUFFLER ASSEMBLY	1
2	UP 04248	SCREW, Taplite- (8-32 X 3/8")	3
3	UP 04629	SCREEN-Spark	1
4	UP 04710	GASKET-Muffler	1
5	88083	SCREW, Truss Hd. - (10-24 X 2.188)	2
6	•UP 05084	AIR FILTER KIT	1
7	D 98760 B	FILTER-AIR	1
8	UP 03885	NUT-Hex (10-24)	2

Item No.	Torque Specs		Required Loctite
	In/Lbs	Nm	
2	25-35	2.8-4.0	
5	50-60	5.6-6.8	
8	30-40	3.4-4.5	

Warranty Flat Rate		
Job	Description	Time/hr.
FB18	Muffler-Replace	.3
FF42	Air Filter Assy.	.2

SHAFT - SPOOL & STRING - GRASS DEFLECTOR



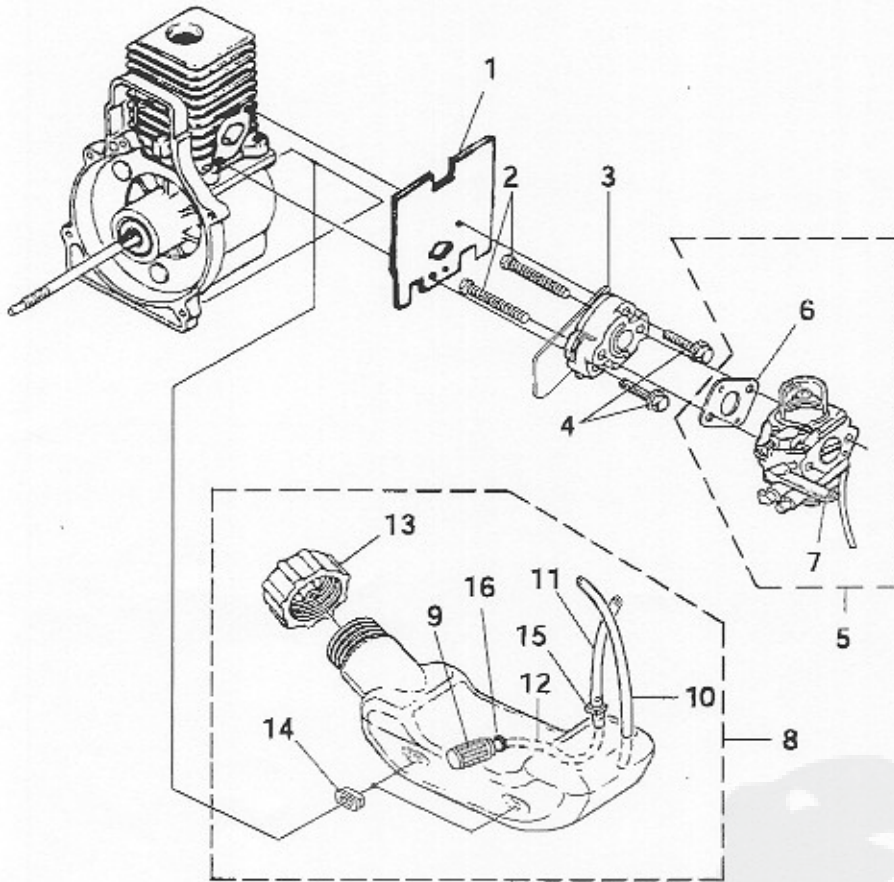
No.	Part No.	Description	Qty
1	UP 03010	HANDLE ASSY.-Front	1
2	93992	NUT-Wing, Washer Faced (1/4-20)	1
3	80295	SCREW-Cap Hex Hd.	1
4	UP 04357	DRIVESHAFT HOUSING ASSY.	1
5	UP 03031	SHAFT-Flexible	1
6	UP 04352	DECAL- Warning	1
7	07928	CLAMP	1
8	UP 04256	SCREW-Sems Hex Hd. (#10-24 X 3/8")	1
9	A 04705	DEFLECTOR & BLADE KIT (55 Deg.)	1
10	80295	SCREW-Cap Hex Hd. (10-24 X 2")	1
11	UP 03415	WASHER-Flat (1/4")	1
12	UP 03409	WASHER-Lock (1/4")	1
13	UP 03399	NUT-Hex	1
14	UP 04119	BLADE-Cut-Off	1
15	UP 04159	SCREW-Mech. Hex Hd. (10-24 X 7/8")	2
16	UP 03895	NUT-Hex (10-24)	2

No.	Part No.	Description	Qty
17	DA 03001 A	STRINGHEAD-Complete	1
15	A 98231 A	HOUSING & EYELET (Dual Line)	1
19	UP 00145	SPOOL & STRING (.080" Line)	1
20	06713	SPRING-Compression	1
21	DA 98866 A	RETAINER-Spool (R.H. Thread, Black)	1

Torque Specs			
Item No.	In/Lbs	Nm	Required Loctite
2	5-25	6-2.8	
8	15-25	1.7-2.8	
15	5-25	6-2.8	
16	30-40	3.4-4.5	

Warranty Flat Rate		
Job	Description	Time/Hr.
FM10	Stringhead Assy.	.2
FN12	Driveshaft	.3
FN13	Driveshaft Hsg.	.3
FN16	Deflector-Grass	.2
FD20	Front Handle	.2

CARBURETOR - FUEL TANK



No.	Part No.	Description	Qty.
1	UP 04308	GASKET-Heat Dam	1
2	UP 04131	SCREW-Machine (10-24 X 2 1/4")	2
3	UP 04348	HEAT DAM	1
4	UP 04140	SCREW-Sems (10-24 X 1")	2
5	UP 04742	CARBURETOR KIT	1
6	UP 03918	GASKET-Carburetor	1
7	UP 04740	LEVER-Choke	1
8	UP 00020	FUEL TANK ASSY.	1
9	UP 03871	FILTER-Fuel	1
10	UP 04283	TUBING-Rubber	1
11	UP 04292	TUBING-Rubber	1
12	UP 04715	TUBING-Rubber	1
13	UP 00108	FUEL CAP	1
14	UP 03501	BUMPER-Rubber	3
15	UP 03831	FITTING-Inline	1
16	UP 03913	CLAMP	1

Torque Specs			
Item No.	In/Lbs	Nm	Required Loctite
4	35-45	4.0-5.1	Red 262

Warranty Flat Rate		
Job	Description	Time/Hr.
FF17	Manifold	.3
FF10	Carburetor Rep.	.3
FF16	Fuel Tank	.3
FF12	Fuel/Return Line	.3