

ALKO

PARTS LIST

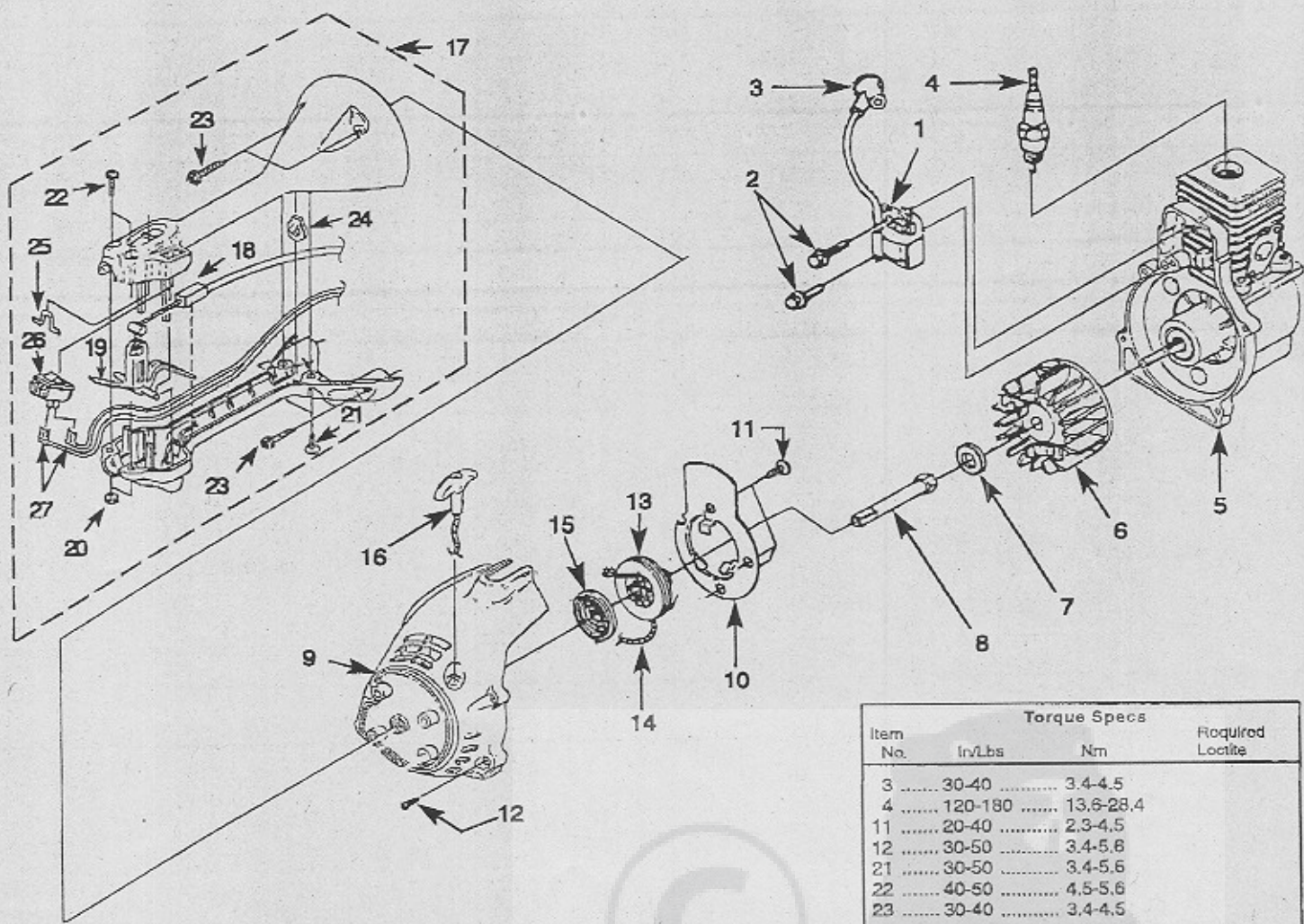
0725

LT251 UT20673, -A

STRING TRIMMER

PART NO. XXXXX

IGNITION - ROTOR - STARTER

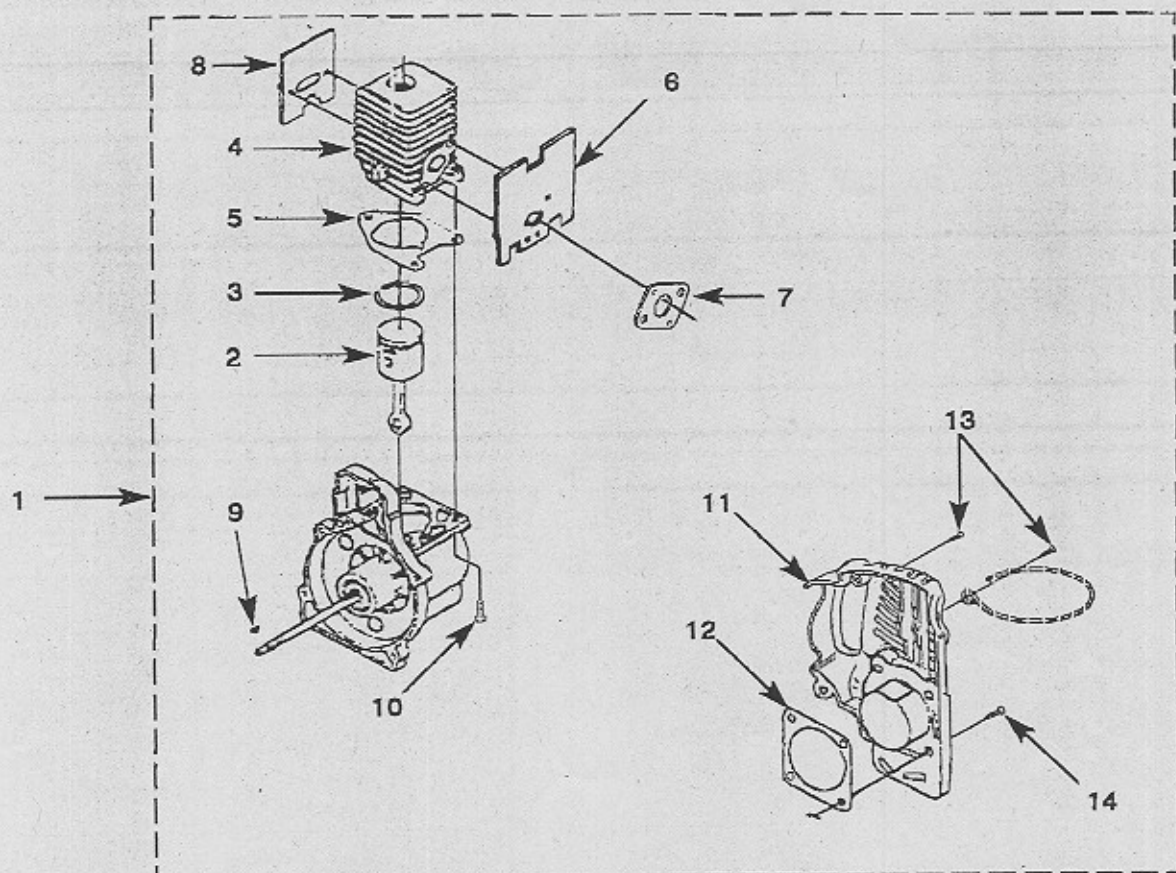


Item No.	Torque Specs		Required Loctite
	In/Lbs	Nm	
3	30-40	3.4-4.5	
4	120-180	13.6-28.4	
11	20-40	2.3-4.5	
12	30-50	3.4-5.8	
21	30-50	3.4-5.6	
22	40-50	4.5-5.6	
23	30-40	3.4-4.5	

NO.	PART NO.	DESCRIPTION	Qty
1	94711 CS	MODULE-Ignition	1
2	A 33055	TERMINAL & COVER	1
3	82540	SCREW-Taplite (8-32 X 1")	2
4	79252	SPARK PLUG	1
5		SHORT BLOCK (Ref. Pg. 4)	1
6	A 04158 S	ROTOR w/ Starter Pawls	1
7	PS 84065	WASHER-Flat (5/16)	1
8	98795 A	CONNECTOR-Drive	1
9	A 08749	STARTER HOUSING	1
10	06541 A	PLATE-Baffle	1
11	82548	SCREW-Plastite (8-16 X 5/8")	3
12	82538	SCREW-Thread Form. (10-24 X 3/4")	4
13	98770 A	PULLEY-Starter	1
14	97899 02	ROPE-Starter (42")	1
15	A 98773 A	SPRING & CONTAINER	1
16	PS 00179	GRIP-Starter	1

17	A 07158	CONTROL HANDLE	1
18	06603 A	CABLE-Throttle	1
19	06605 C	TRIGGER	1
20	81208	NUT-Hex (#10-24)	2
21	82537	SCREW-Plastite (#10-14 X 7/8")	2
22	82556 1	SCREW-Machine (#10-24 X 1 1/4")	2
23	82558	SCREW-Plastite (#10-14 X 1 1/8")	4
24	06620	STOP-Drive Shaft	1
25	06802	HOOK-Strap	1
26	07385	SWITCH-Rocker	1
27	A 07149 A	LEADS-Electrical	2

ENGINE INTERNAL

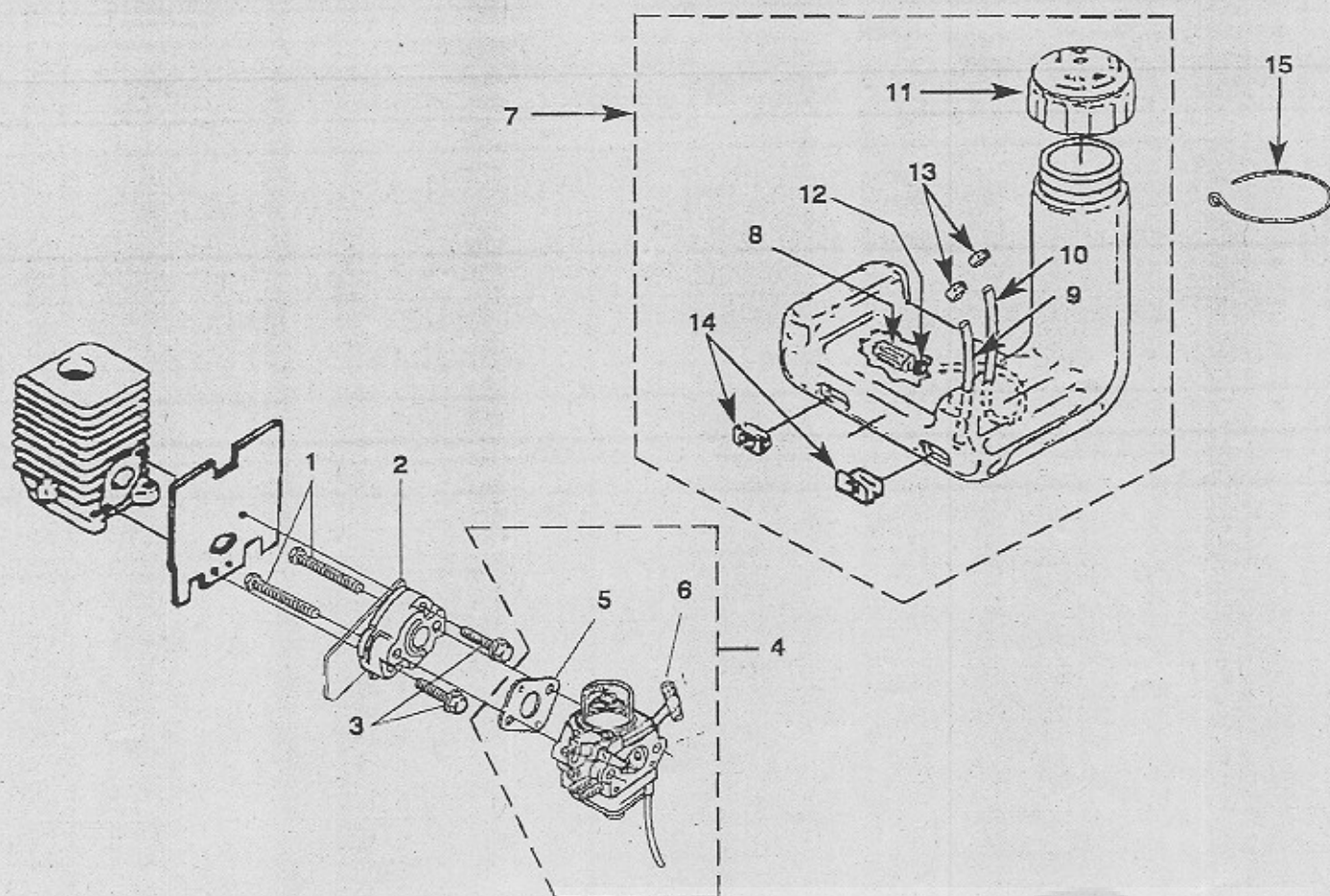


NO.	PART NO.	DESCRIPTION	Qty.
1	• A 09055 A	SHORT BLOCK	1
2	•UP 00016	25CC PISTON & ROD	1
3	96935	RING-Piston	1
4	•UP 07145	25CC CYLINDER KIT	1
5	04388 B	GASKET-Cylinder	1
6	06900 A	GASKET-Heat Dam	1
7	98766 A	GASKET-Carburetor	1
8	98786 C	GASKET-Muffler	1
9	69250	KEY-Woodruff	1
10	88084 1	SCREW-Sems. (12-24 X 3/4")	3
11	• A 07138	CRANKCASE COVER	1
12	08681	GASKET-Crankcase Cover *	1
13	82563	SCREW-Plaslite (#10-24 X 3/4")	3
14	88081 1	SCREW-Sems (10-24 X .910)	4

Item No.	Torque Specs		Required Lockite
	In/Lbs	Nm	
10	55-65	6.2-7.3	
13	30-40	3.4-4.5	
14	55-65	6.2-7.3	

* Also included with Short block & Cylinder Kits.

CARBURETOR - FUEL TANK

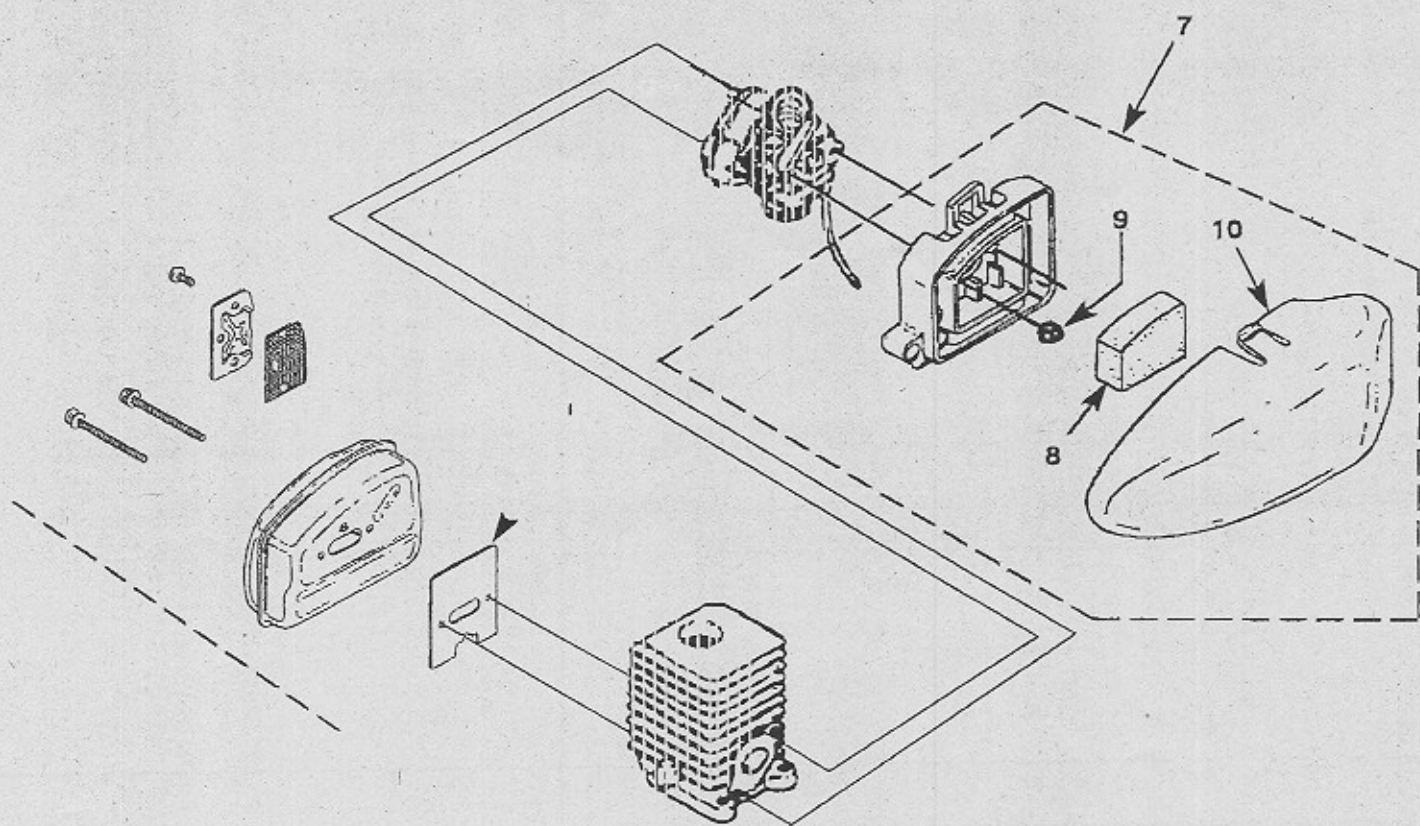


NO.	PART NO.	DESCRIPTION	Qty
1	04474	SCREW-Machine (10-24 X 2 1/4")	2
2	06900 A	HEAT DAM	1
3	09322 1	SCREW-Sems (10-24 X 1.110")*	2
4	UP00608	CARBURETOR	1
5	98766 A	GASKET-Carburetor	1
6	PS00236	LEVER-Choke Rod (ZAMA)	1
7	A 07141 C	FUEL TANK COMPLETE	1
8	49422	FILTER-Fuel	1
9	94772 22	TUBING-Rubber (5 1/2")	1
10	07454 28	TUBING-Rubber (7")	1
11	UP00106	FUEL CAP	1
12	98268	CLAMP	1
13	93426	CLAMP	2
14	98792	BUMPER-Rubber	4
15	07183	SUPPORT-Wire	1

Item No.	Torque Specs		Required Loctite
	In/Lbs	Nm	
3	40-50	4.5-5.6	Red 262

* Also included with Short block & Cylinder Kits.

MUFFLER - AIR CLEANER



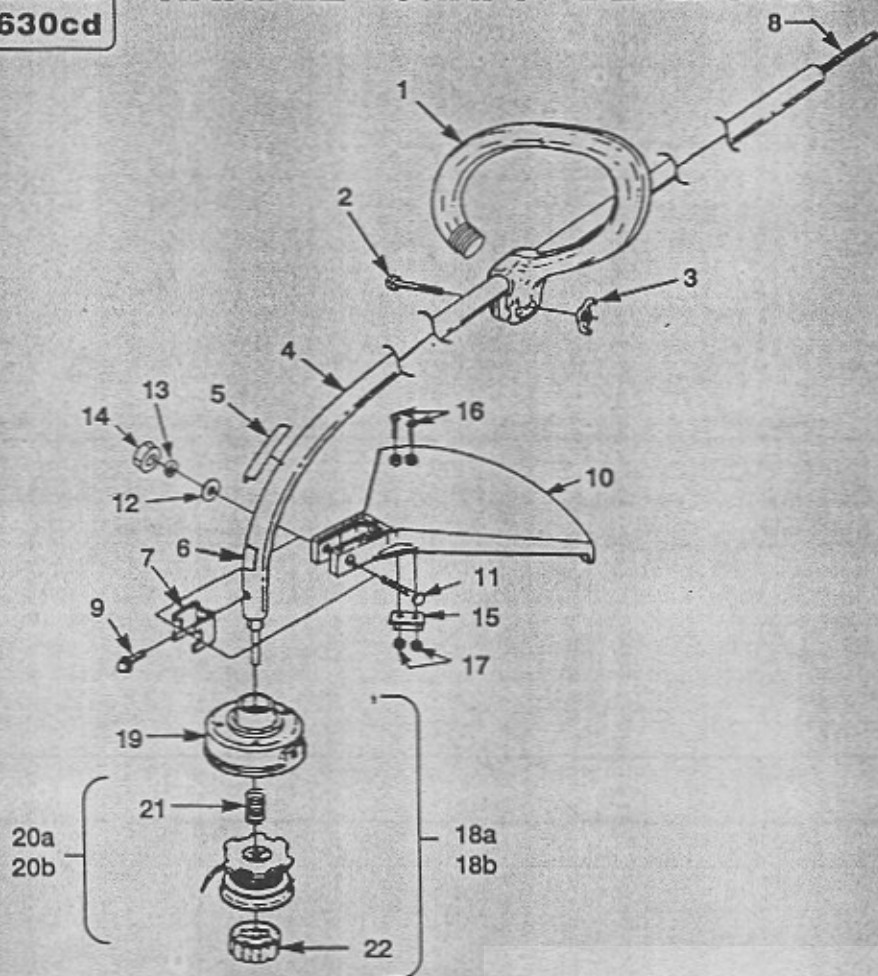
NO.	PART NO.	DESCRIPTION	Qty
1	• A 07142 A	MUFFLER KIT	1
2	88083	SCREW-Truss Hd. (#10-24 X 2.188")	2
3	06502	SCREEN-Spark	1
4	98786 C	GASKET -Muffler *	1
5	82600	SCREW-Truss Hd. (10-24 X .375)	3
6	06501 1	Cover	1
7	• A 07157	AIR FILTER KIT	1
8	D 06615	FILTER-Air	1
9	81208	NUT-Hex (10-24)	2
10	07051 2A	COVER-Air Filter	1

Item No.	Torque Specs		Required Loctite
	In/Lbs	Nm	
2	50-60	5.6-6.8	
5	25-35	2.8-4.0	
9	30-40	3.4-4.5	

* Also Included with Short block & Cylinder Kits.

i625cd
i630cd

HANDLE - SHAFT - DEFLECTOR - SPOOL & STRING

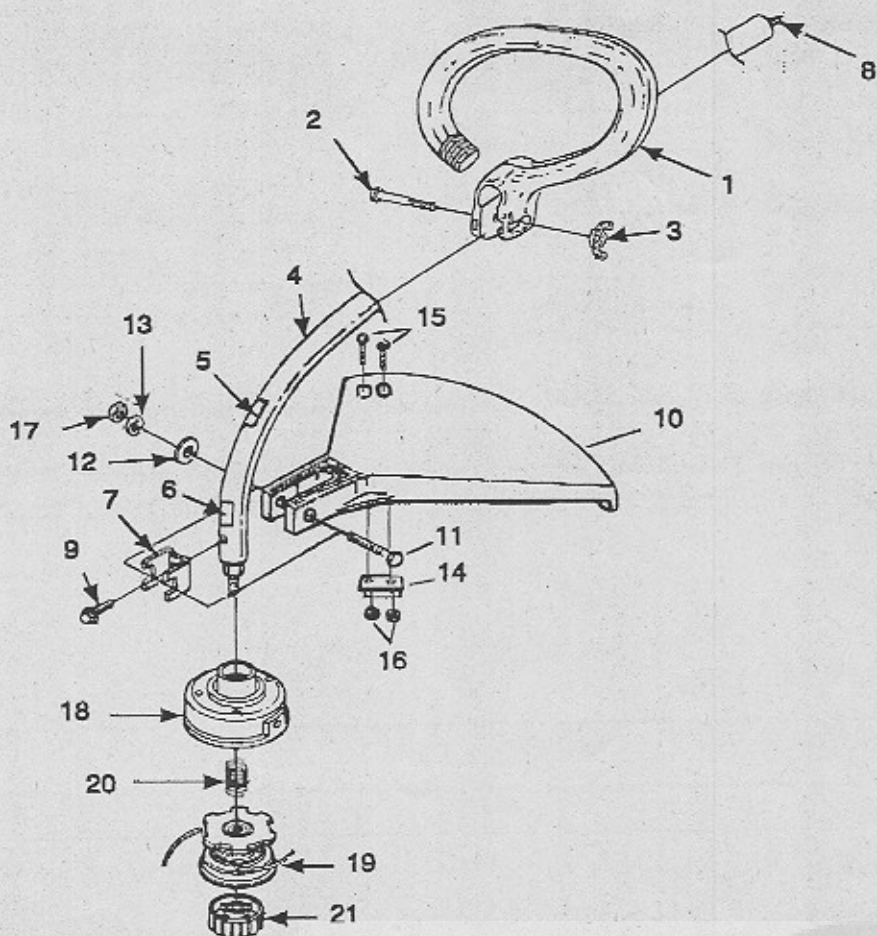


No.	Part No.	Description	Qty
1	A 07136	FRONT HANDLE ("D")	1
2	80295 1	SCREW-Cap Hex Hd. (10-24 X 2")	1
3	93992	NUT-Wing (10-24)	1
4	A 08736	HOUSING-Drive Shaft	1
5	08224 A	DECAL-Starting Inst.	1
6	02985	DECAL-Warning	1
7	07928	CLAMP	1
8	98816	SHAFT-Flexible	1
9	82541	SCREW-Drilling (#10 X 1/2")	1
10	A 04704	DEFLECTOR & BLADE (100 Degree)	1
11	80295	SCREW-Cap Hex Hd. (1/4-20 X 2")	1
12	84006	WASHER-Flat (1/4")	1
13	83009	WASHER-Lock (1/4")	1
14	81242	NUT-Hex (1/4-20)	1
15	A 03832	BLADE-Cut-Off Kit	1
16	82531	SCREW-Mech. Hex Hd. (10-24 X 7/8")	2
17	81261	NUT-Hex (10-24)	2
18a	DA 03001 A	STRINGHEAD-Complete (.080" Line) (i625cd)	1
18b	DA 04591 A	STRINGHEAD-Complete (.095" Line) (i630cd)	1
19	A 98231 A	HOUSING & EYELET (Dual Line)	1
20a	DA 98912 E	SPOOL & STRING (.080" Line) (i625cd)	1
20b	DA 02598 C	SPOOL & STRING (.095" Line) (i630cd)	1
21	06713	SPRING-Compression	1
22	DA 98866 A	RETAINER-Spool (R.H. Thread, Black)	1

Item No.	Torque Specs		Required Loctite
	In/Lbs	Nm	

Warranty Flat Rate			Time/Hr.
Job	Description		

HANDLE - SHAFT - DEFLECTOR - SPOOL & STRING



No.	Part No.	Description	Qty
1	A 07136	FRONT HANDLE	1
2	80295	SCREW-Cap Hex Hd. (10-24 X 2")	1
3	93992	NUT-Wing (1/4-20)	1
4	A 08736	HOUSING-Drive Shaft	1
5	08224 A	DECAL-Starting Inst.	1
6	02985	DECAL-Warning	1
7	07928	CLAMP	1
8	A 03031	SHAFT-Flexible	1
9	88077	SCREW-Sems Hex Hd (10-24 X 3/8)	1

Item No.	Torque Specs		Required Loctite
	In/Lbs	Nm	
3	5-25	.6-2.8	
15	30-50	3.4-5.6	Rec 262