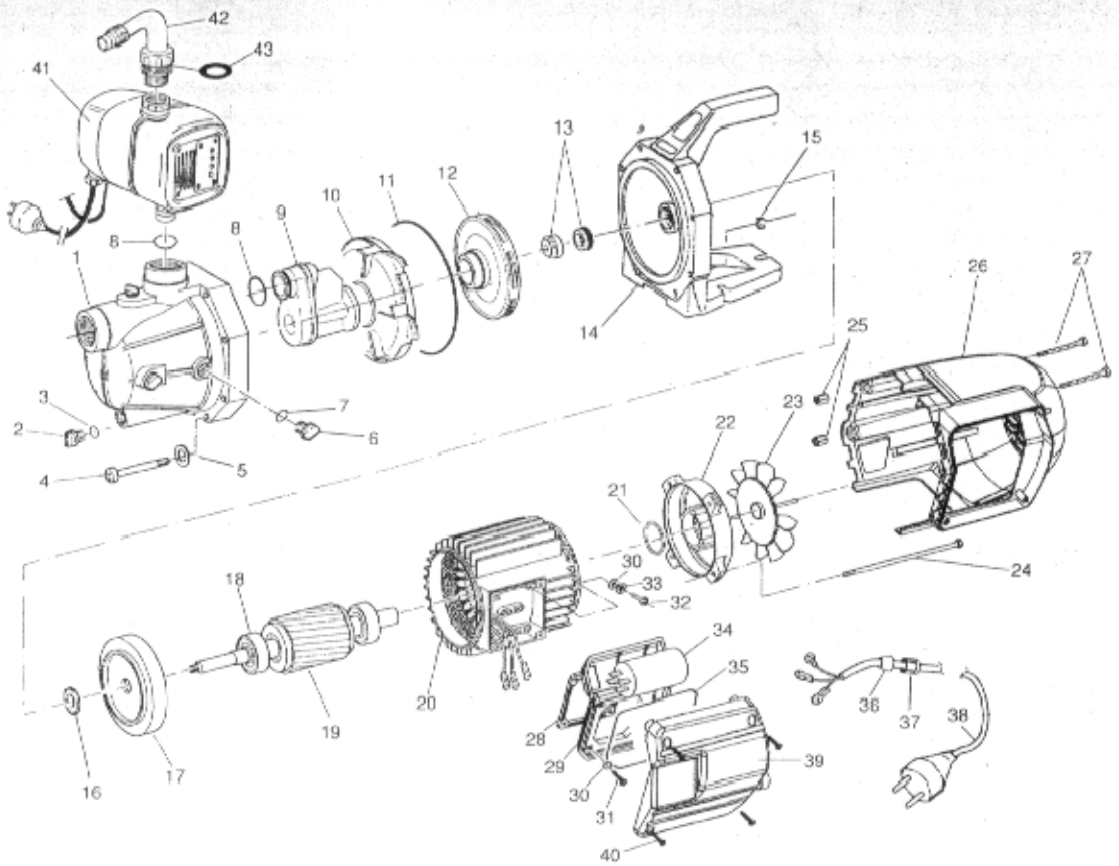


HWA 800/MC



HWA 800/MC

Ref.	ET-NR.
1	409.581
2	406.089
3	406.090
4	406.091
5	406.092
6	406.093
7	406.094
8	406.095
9	407.565
10	406.097
11+13	409.557
12	407.564
14	406.101
15	406.102
16	406.104
17	409.580
18	700.345
19	407.562
20	409.642
21	405.923
22	407.506
23	409.641
24	406.126
25	409.626
26	409.638
27	409.628
28	406.110
29	409.639
30	700.428
31	406.114
32	409.578

Ref.	ET-NR.
33	700.959
34	407.563
35	409.630
36	406.129
37	406.130
38	409.559
39	409.633
40	406.116
41	409.585
42	406.132
43	409.637