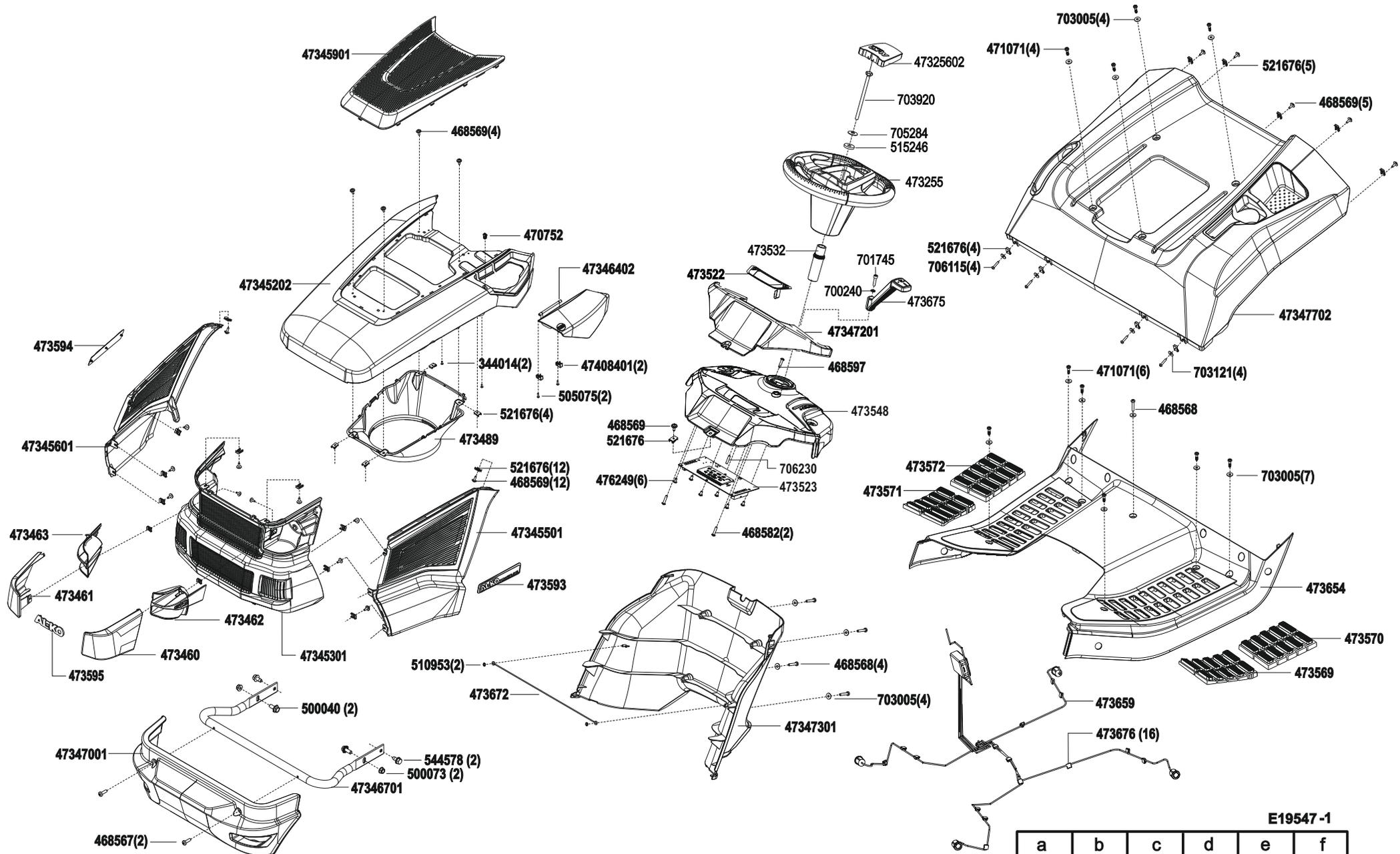


# Powerline T 23-125.4 HD V2

Art. 119547

# AL-KO



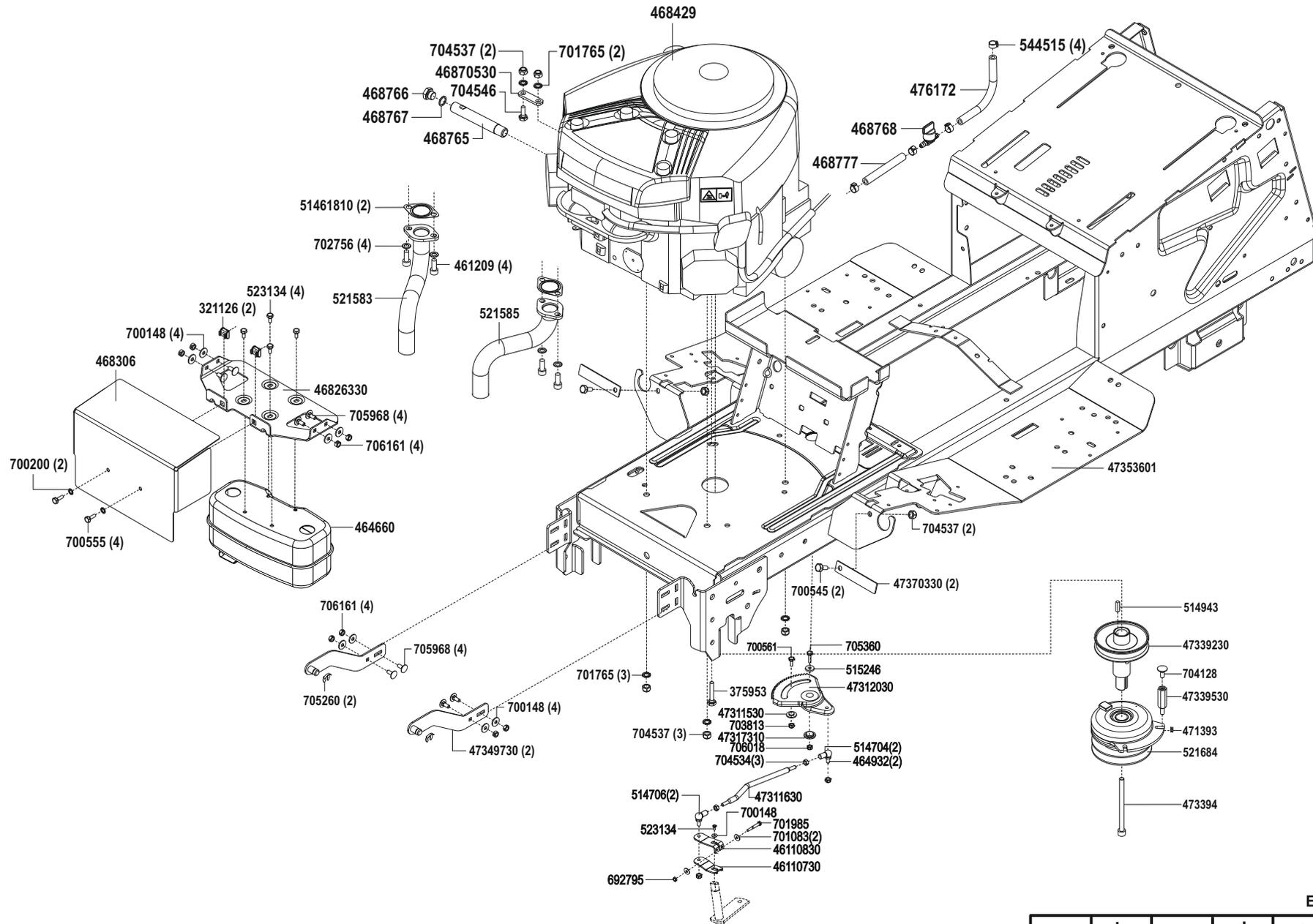
E19547-1

a	b	c	d	e	f
---	---	---	---	---	---

# Powerline T 23-125.4 HD V2

Art. 119547

# AL-KO



E19547-2

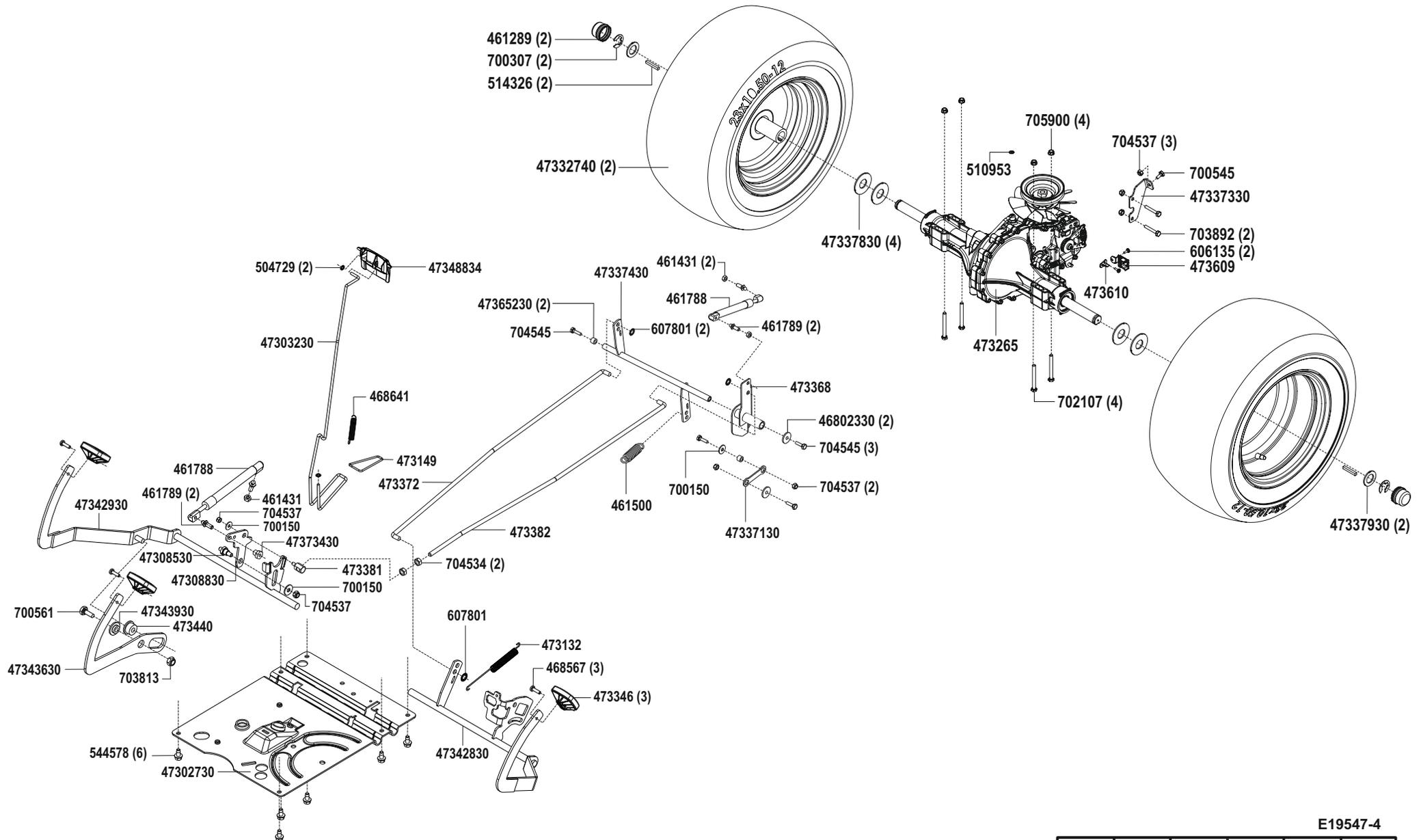
a	b	c	d	e	f
---	---	---	---	---	---



# Powerline T 23-125.4 HD V2

Art. 119547

# AL-KO



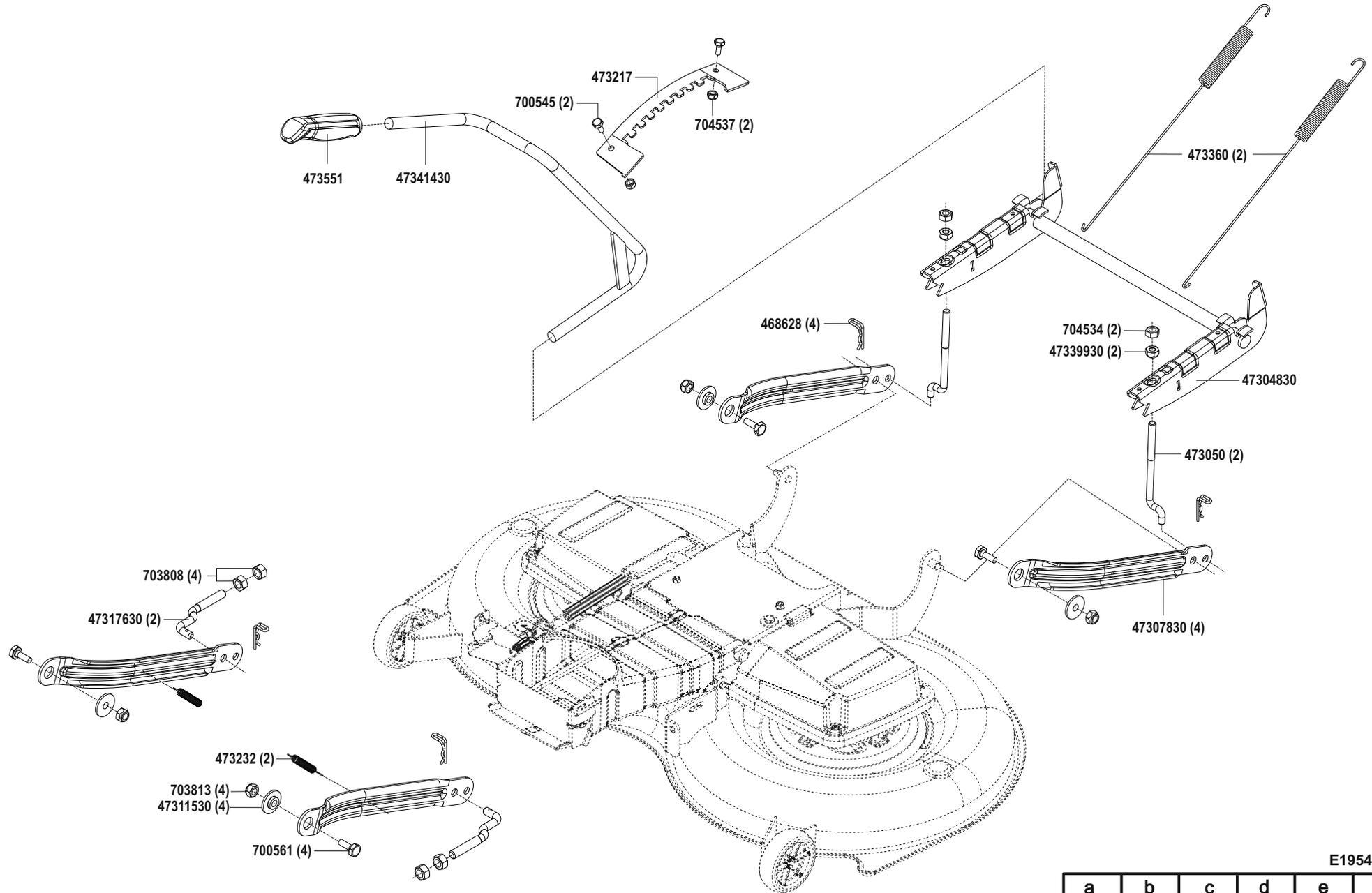
E19547-4

a	b	c	d	e	f
---	---	---	---	---	---

# Powerline T 23-125.4 HD V2

Art. 119547

# AL-KO



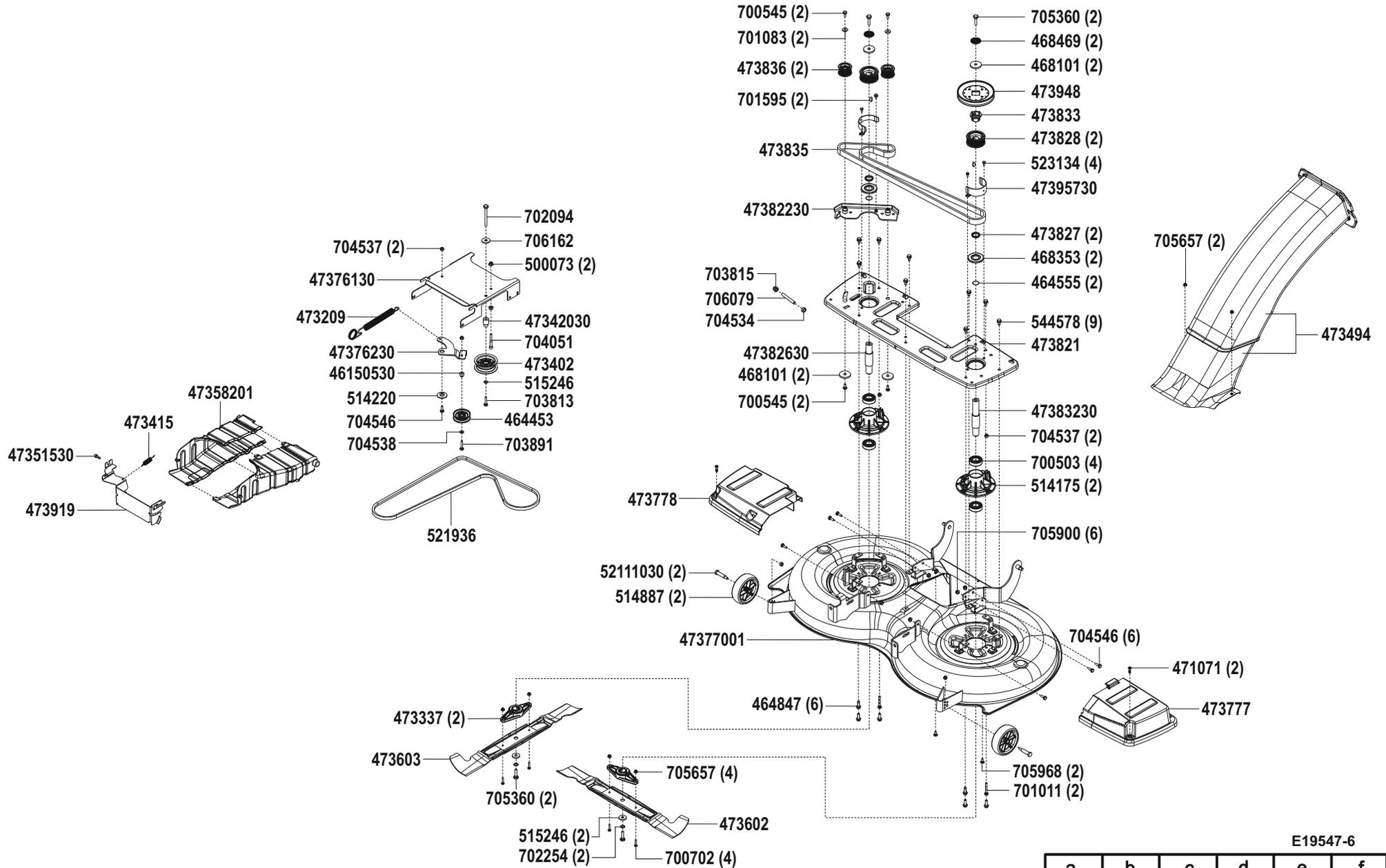
E19547-5

a	b	c	d	e	f
---	---	---	---	---	---

# Powerline T 23-125.4 HD V2

Art. 119547

# AL-KO



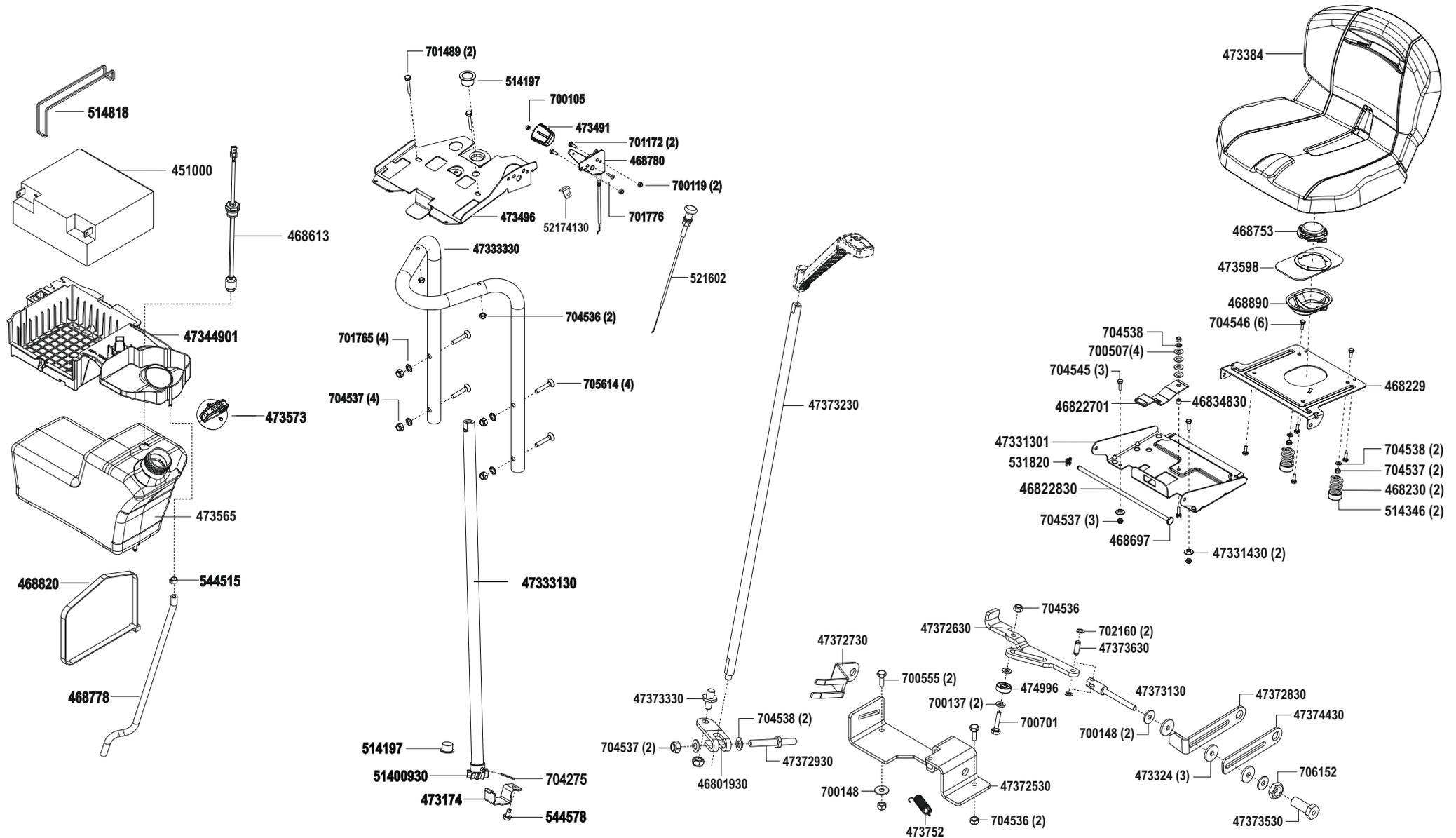
E19547-6

a	b	c	d	e	f
---	---	---	---	---	---

# Powerline T 23-125.4 HD V2

Art. 119547

# AL-KO



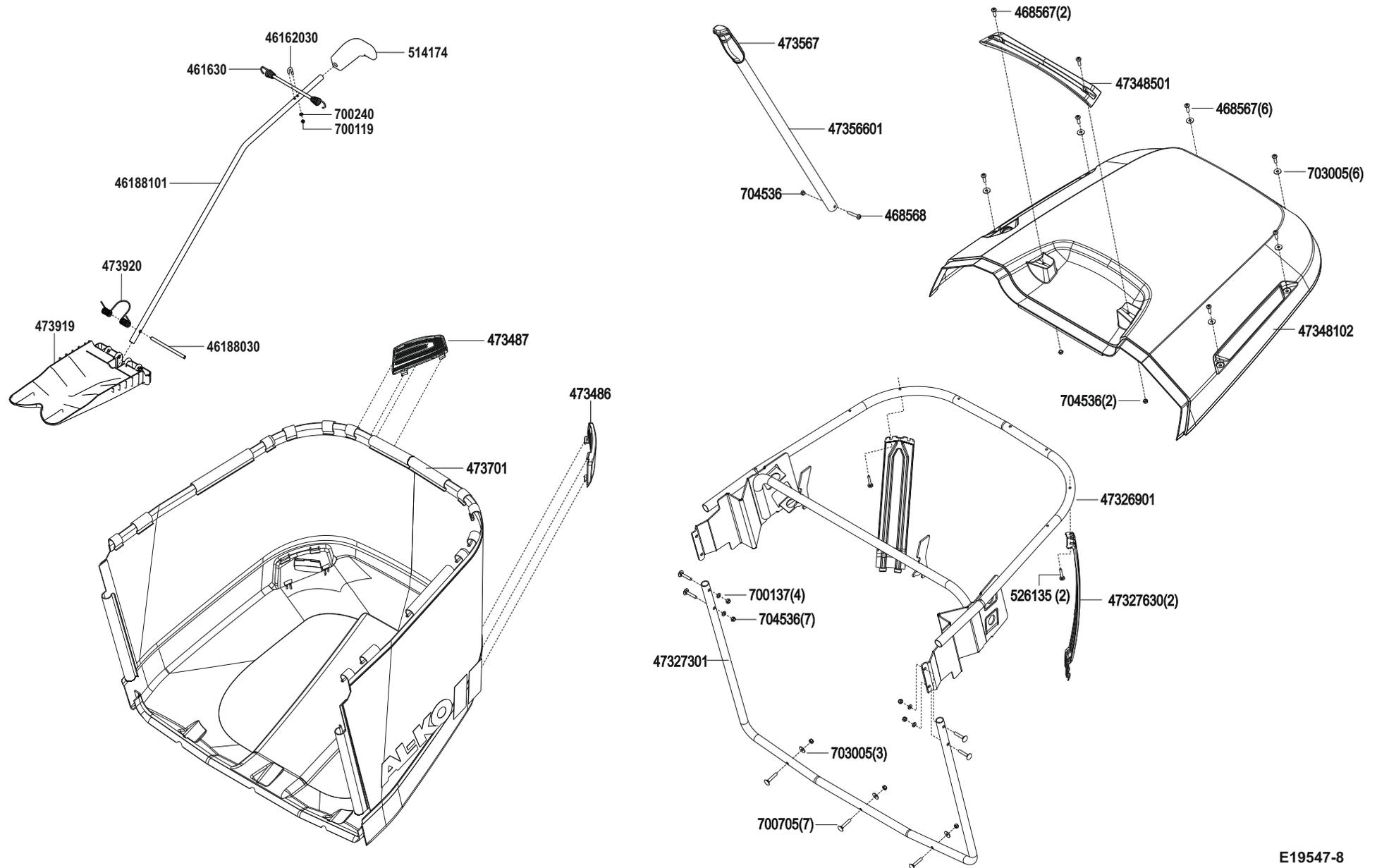
E19547-7

a	b	c	d	e	f
---	---	---	---	---	---

# Powerline T 23-125.4 HD V2

Art. 119547

# AL-KO



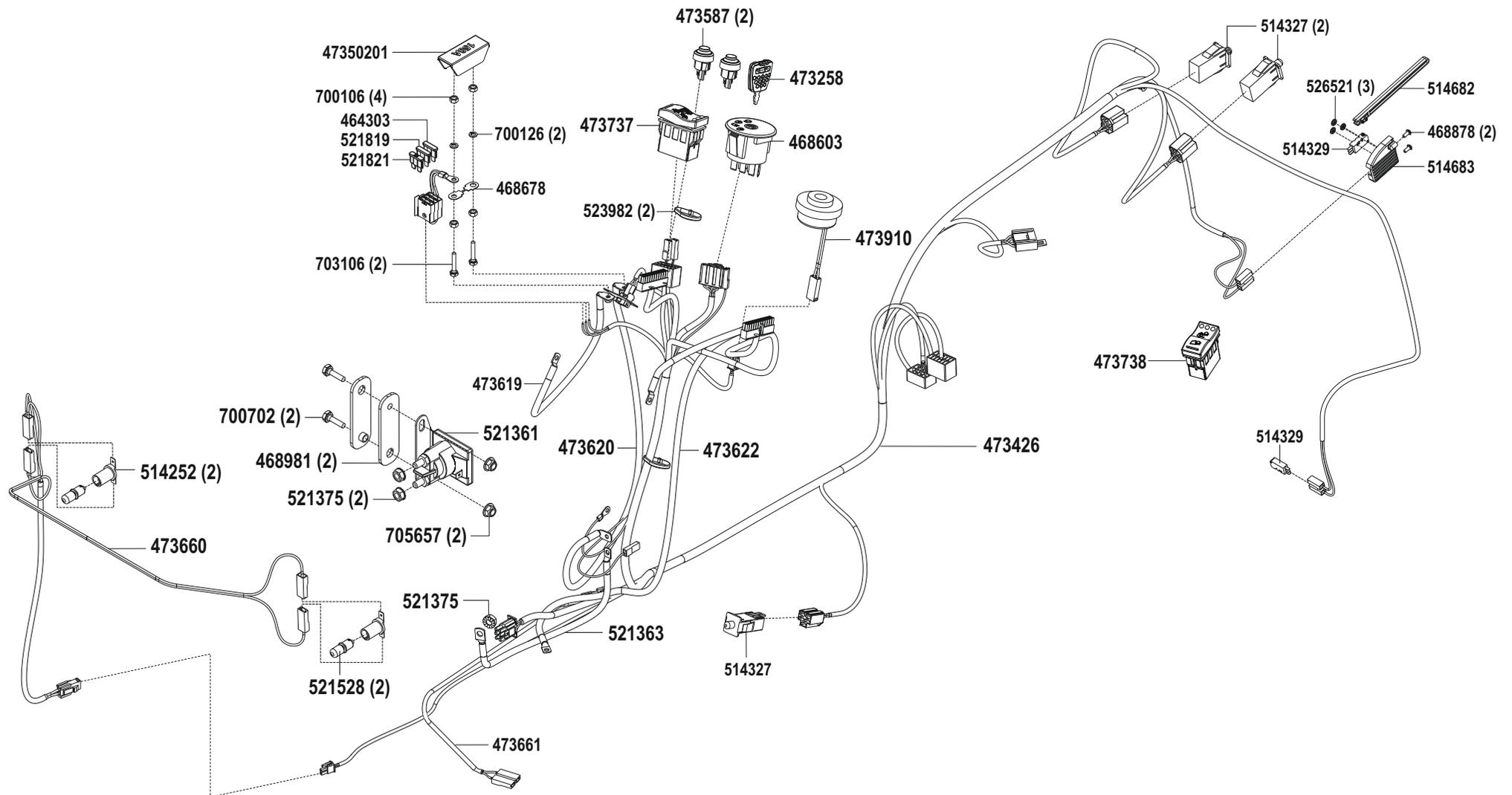
E19547-8

a	b	c	d	e	f
---	---	---	---	---	---

# Powerline T 23-125.4 HD V2

Art. 119547

# AL-KO



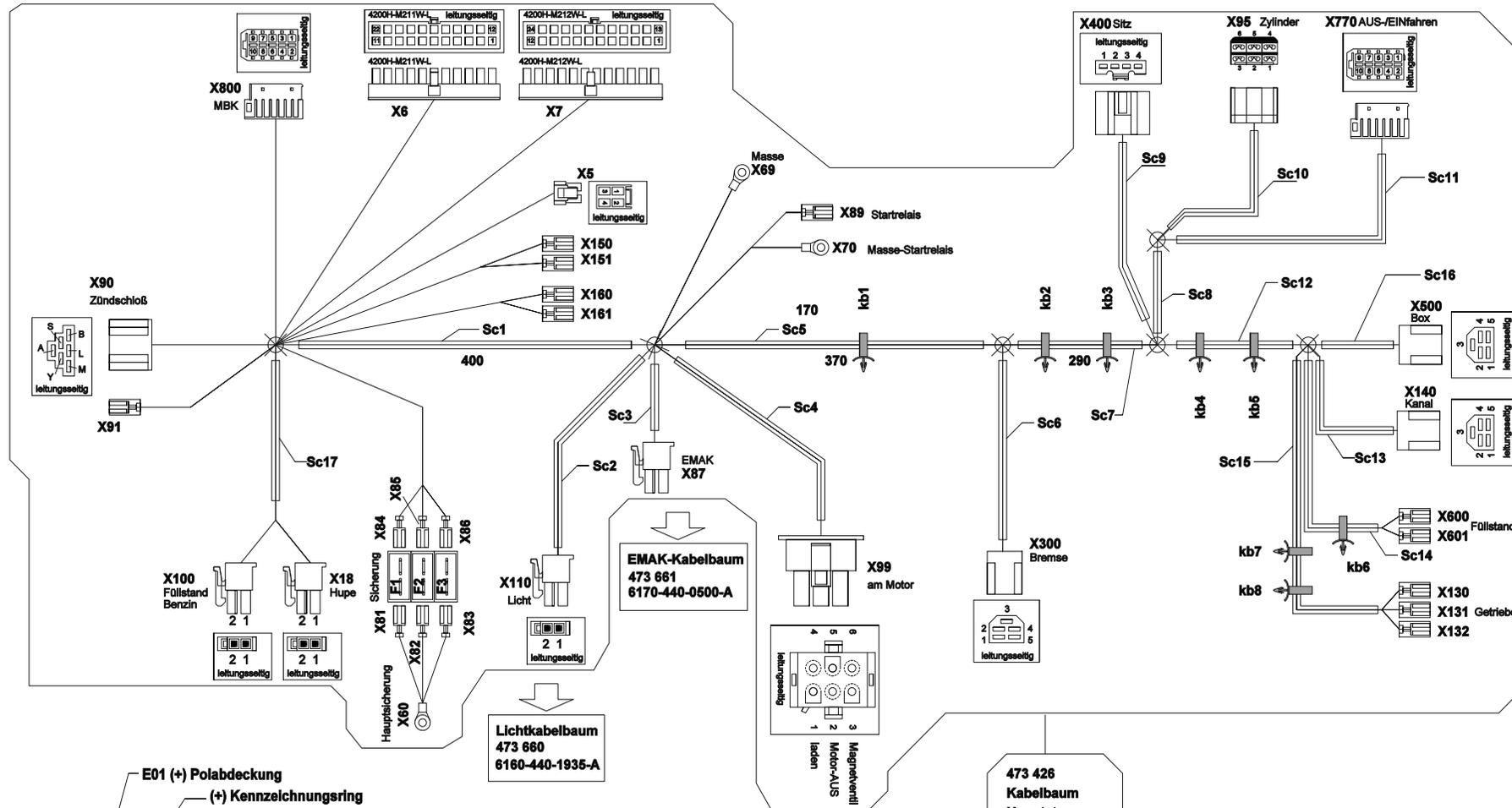
E19547-9

a	b	c	d	e	f
---	---	---	---	---	---

# Powerline T 23-125.4 HD V2

Art. 119547

# AL-KO



<p><b>X62</b> (+) Batterie</p>	<p><b>X61</b> Haupt-sicherung</p>	<p><b>473 619</b> Batterie - Hauptsicherung</p>
<p><b>X67</b> (-) Batterie</p>	<p><b>X68</b> Rahmen Motorblock</p>	<p><b>473 622</b> Batterie - Motorblock</p>
<p><b>X63</b> Haupt-sicherung</p>	<p><b>X64</b> Start-relais</p>	<p><b>473 620</b> Hauptsicherung - Startrelais</p>
<p>Startrelais</p>	<p>Anlasser</p>	<p><b>521 363</b> Startrelais - Anlasser</p>

