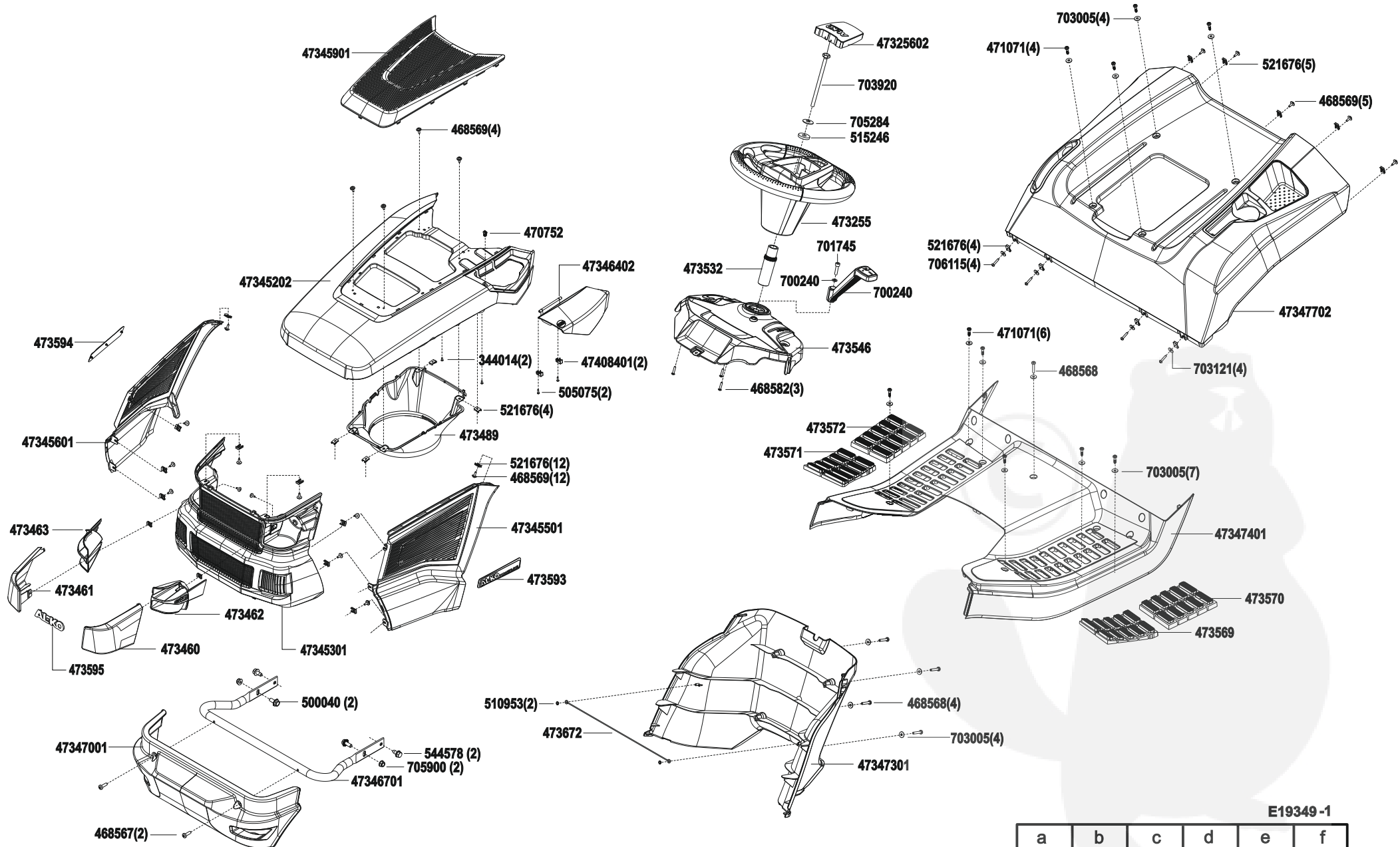


Powerline T 16-95.4 HD V2

Art. 119349

AL-KO



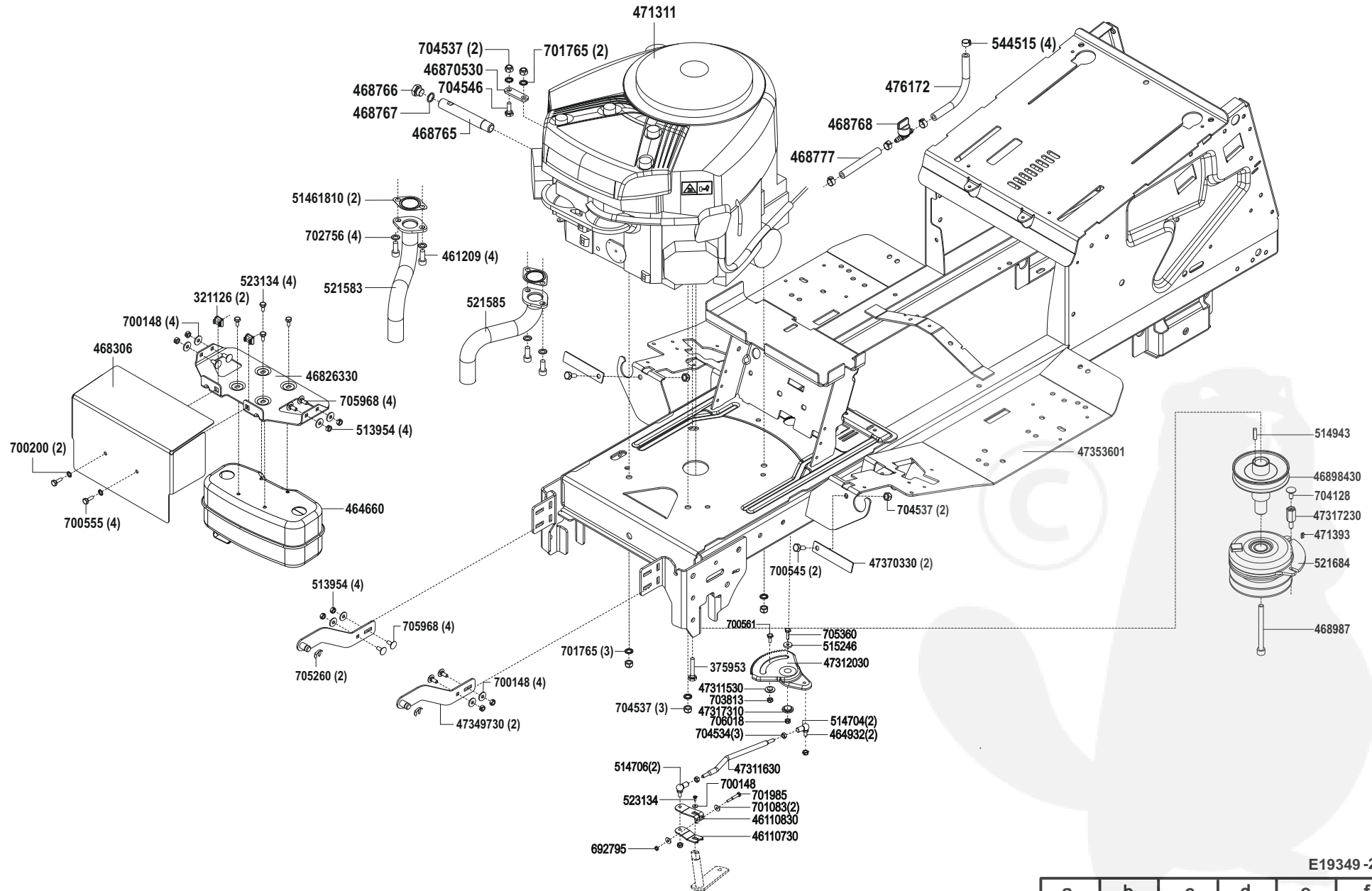
E19349-1

a	b	c	d	e	f
---	---	---	---	---	---

Powerline T 16-95.4 HD V2

Art. 119349

AL-KO



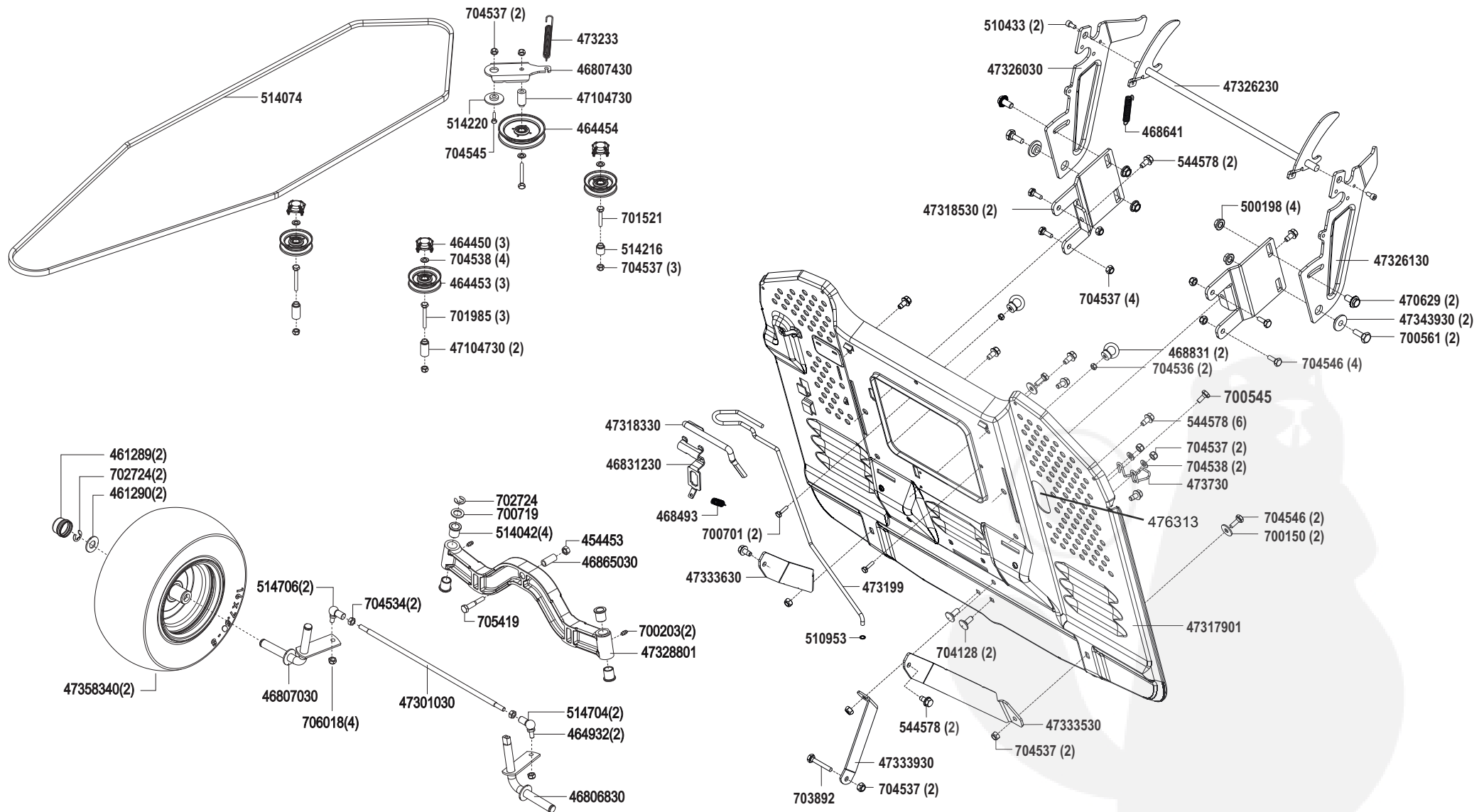
E19349-2

a	b	c	d	e	f
---	---	---	---	---	---

Powerline T 16-95.4 HD V2

Art. 119349

AL-KO



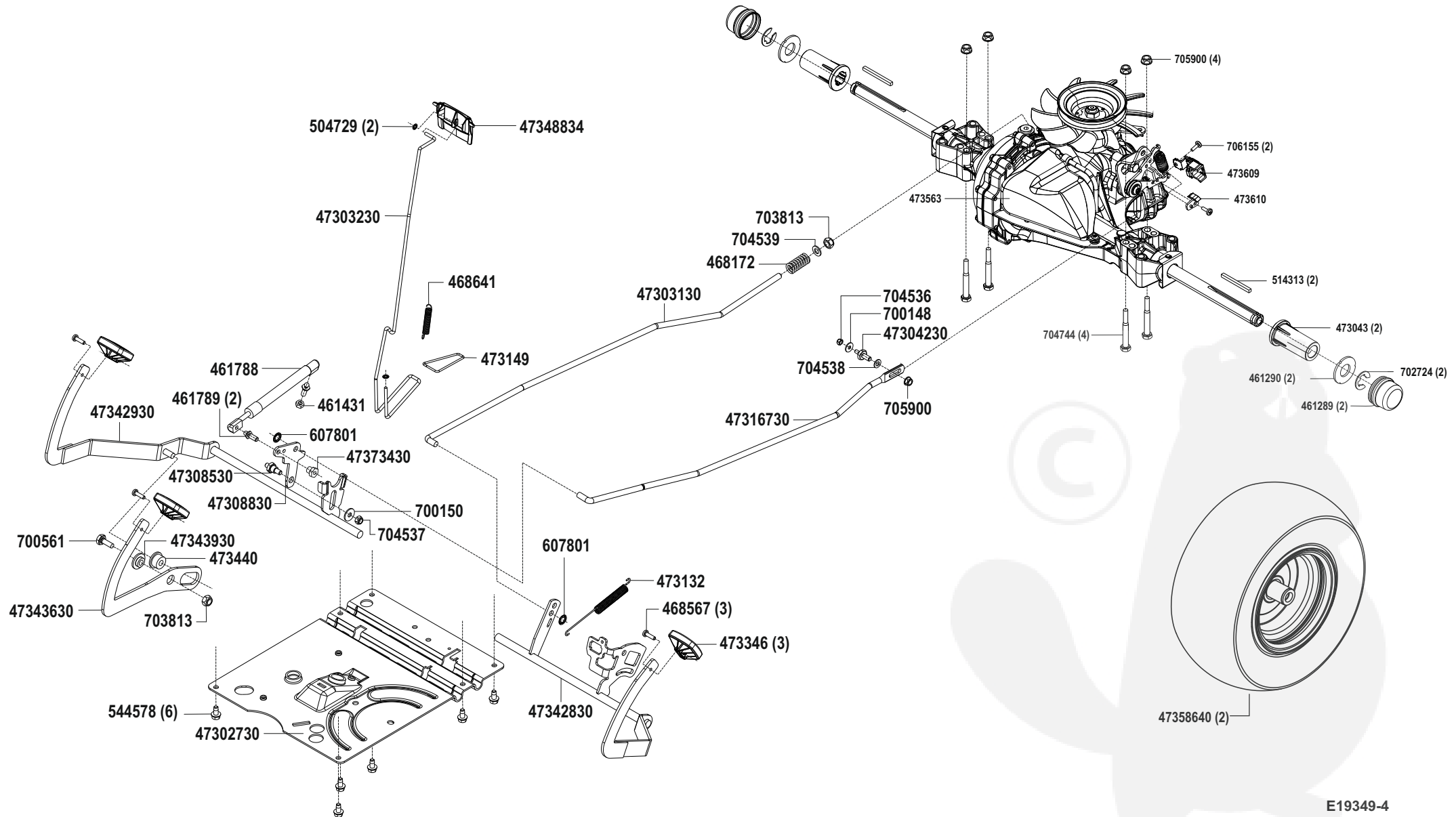
E19349-3

a	b	c	d	e	f
---	---	---	---	---	---

Powerline T 16-95.4 HD V2

Art. 119349

AL-KO



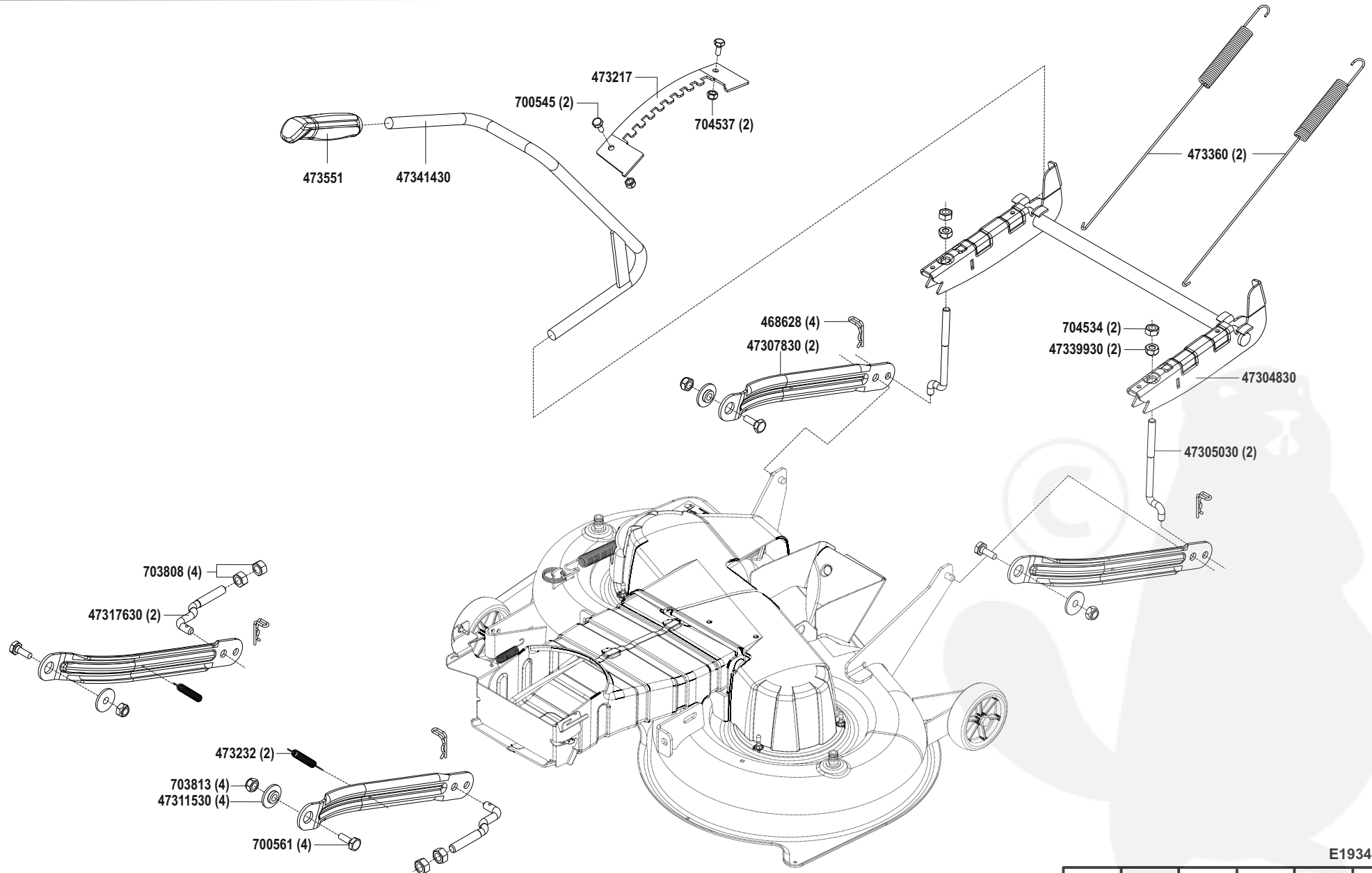
E19349-4

a	b	c	d	e	f
---	---	---	---	---	---

Powerline T 16-95.4 HD V2

Art. 119349

AL-KO



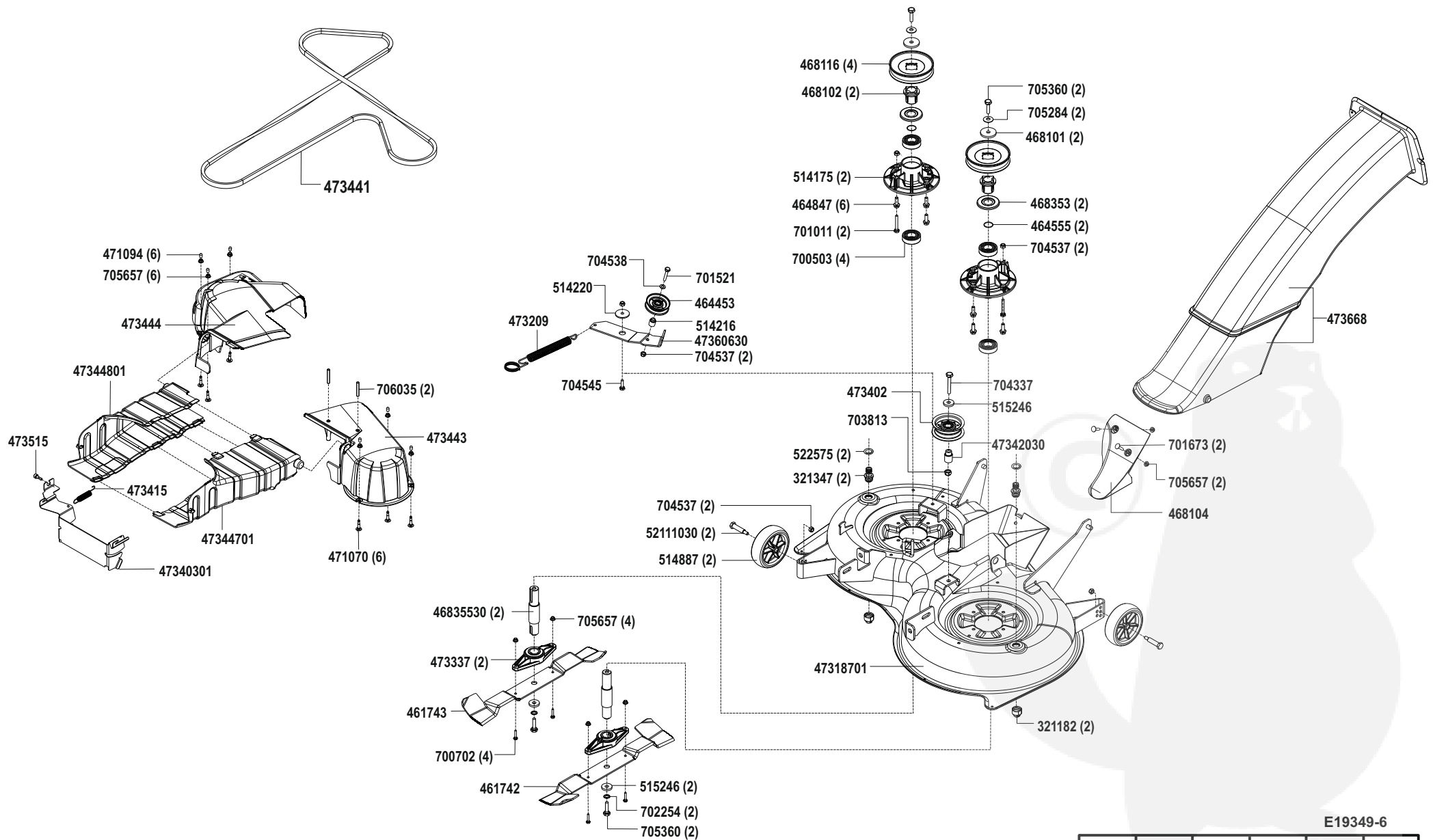
E19349-5

a	b	c	d	e	f
---	---	---	---	---	---

Powerline T 16-95.4 HD V2

Art. 119349

AL-KO



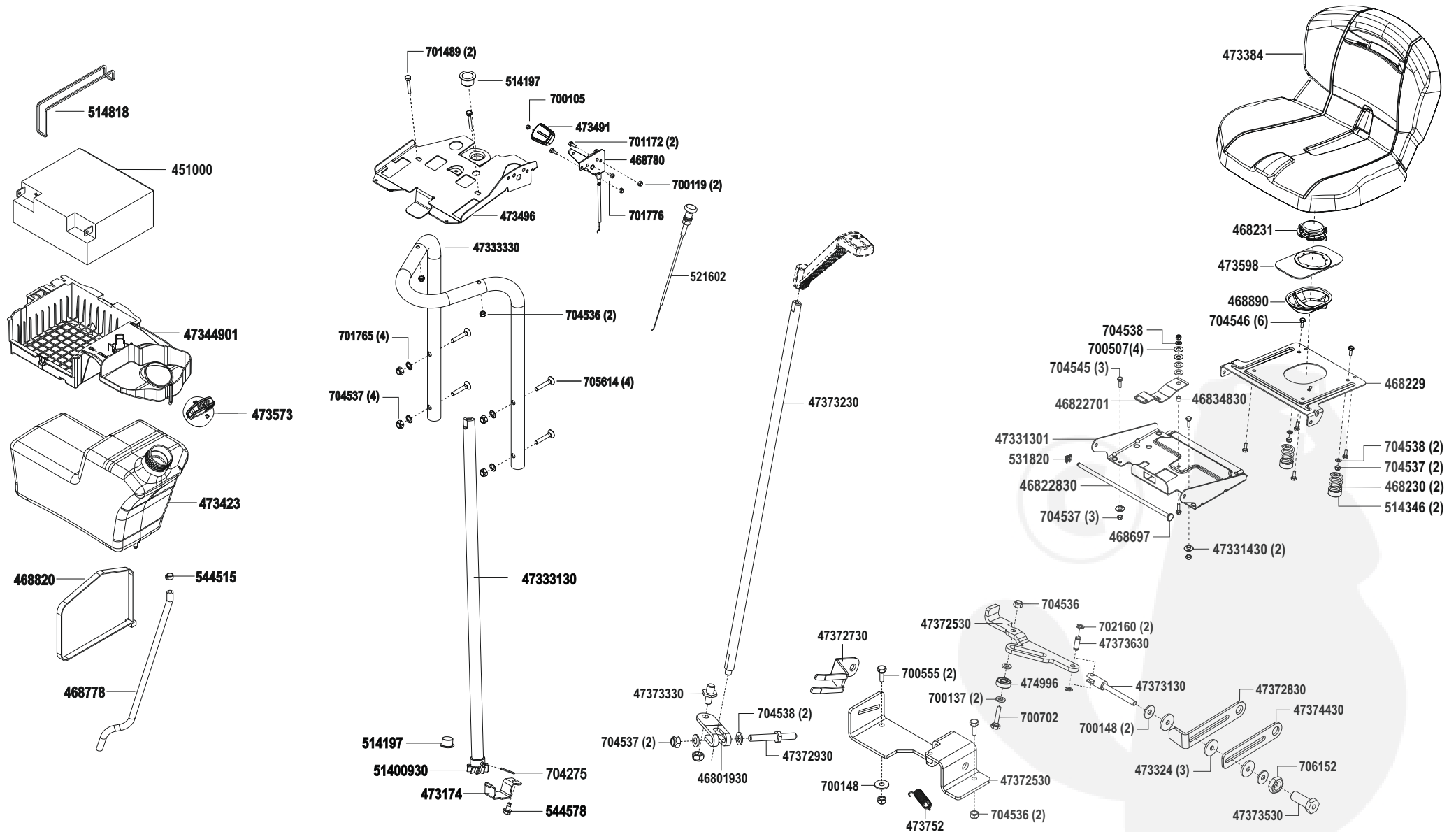
E19349-6

a	b	c	d	e	f
---	---	---	---	---	---

Powerline T 16-95.4 HD V2

Art. 119349

AL-KO



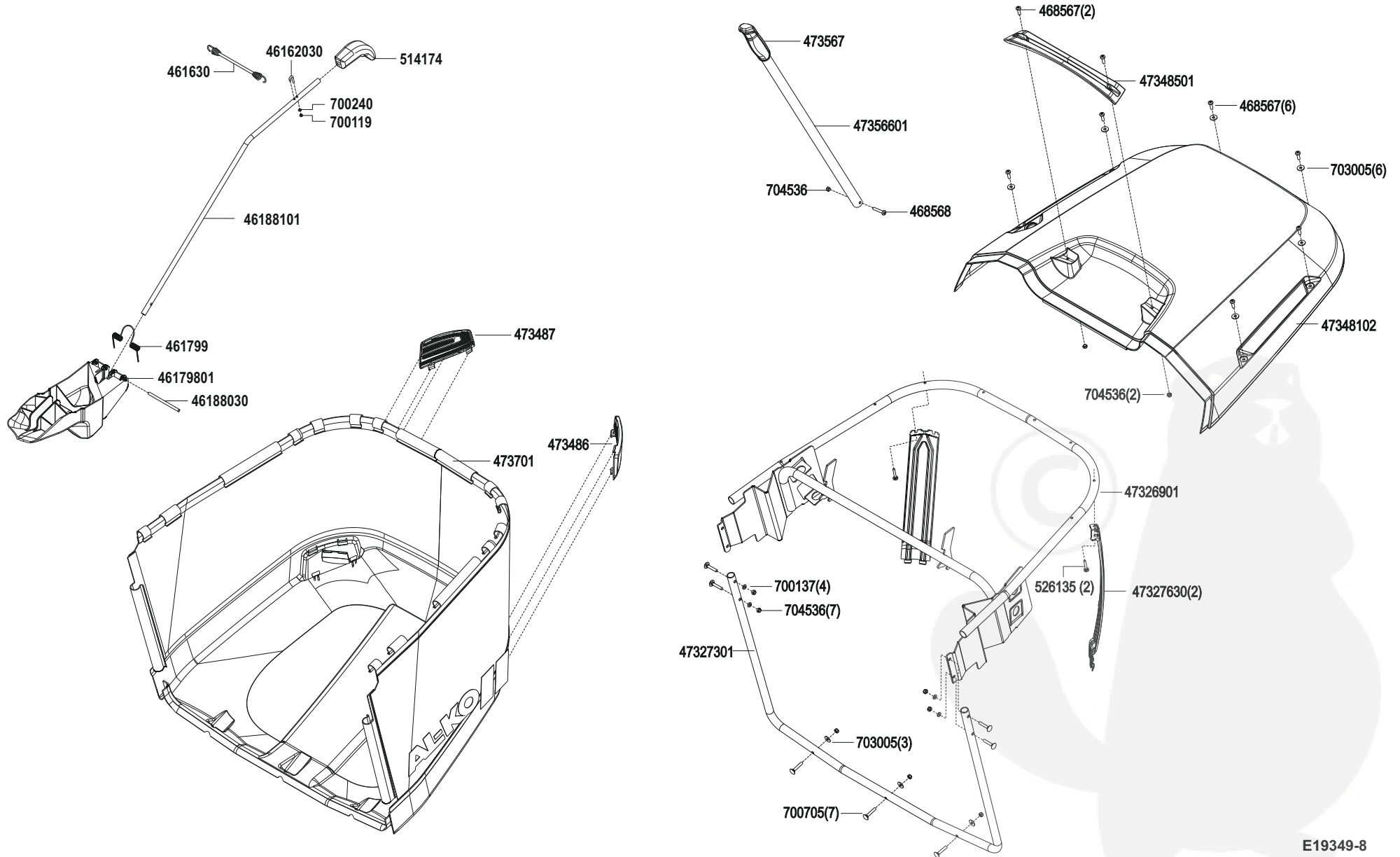
E19349-7

a	b	c	d	e	f
---	---	---	---	---	---

Powerline T 16-95.4 HD V2

Art. 119349

AL-KO



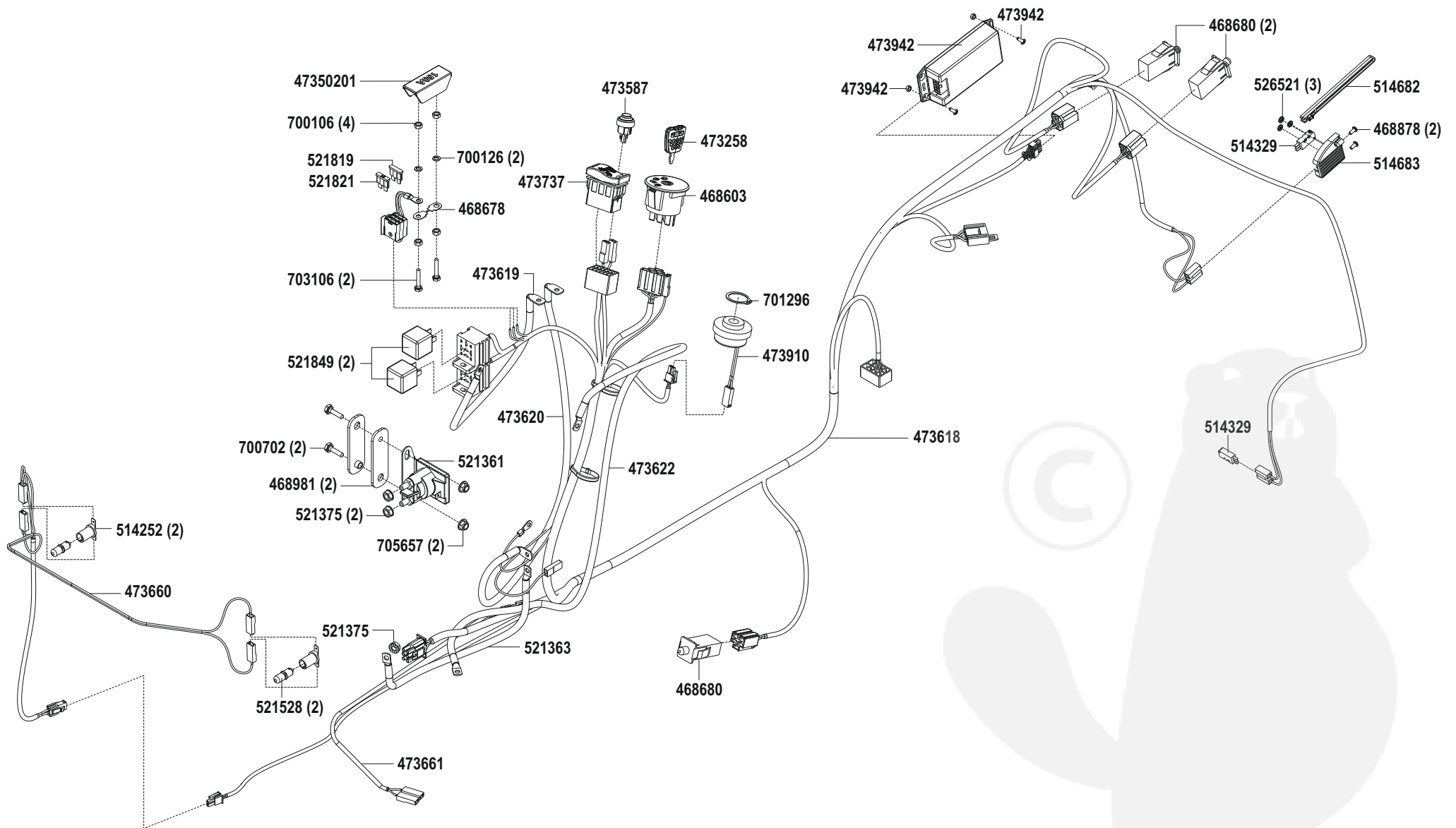
E19349-8

a	b	c	d	e	f
---	---	---	---	---	---

Powerline T 16-95.4 HD V2

Art. 119349

AL-KO



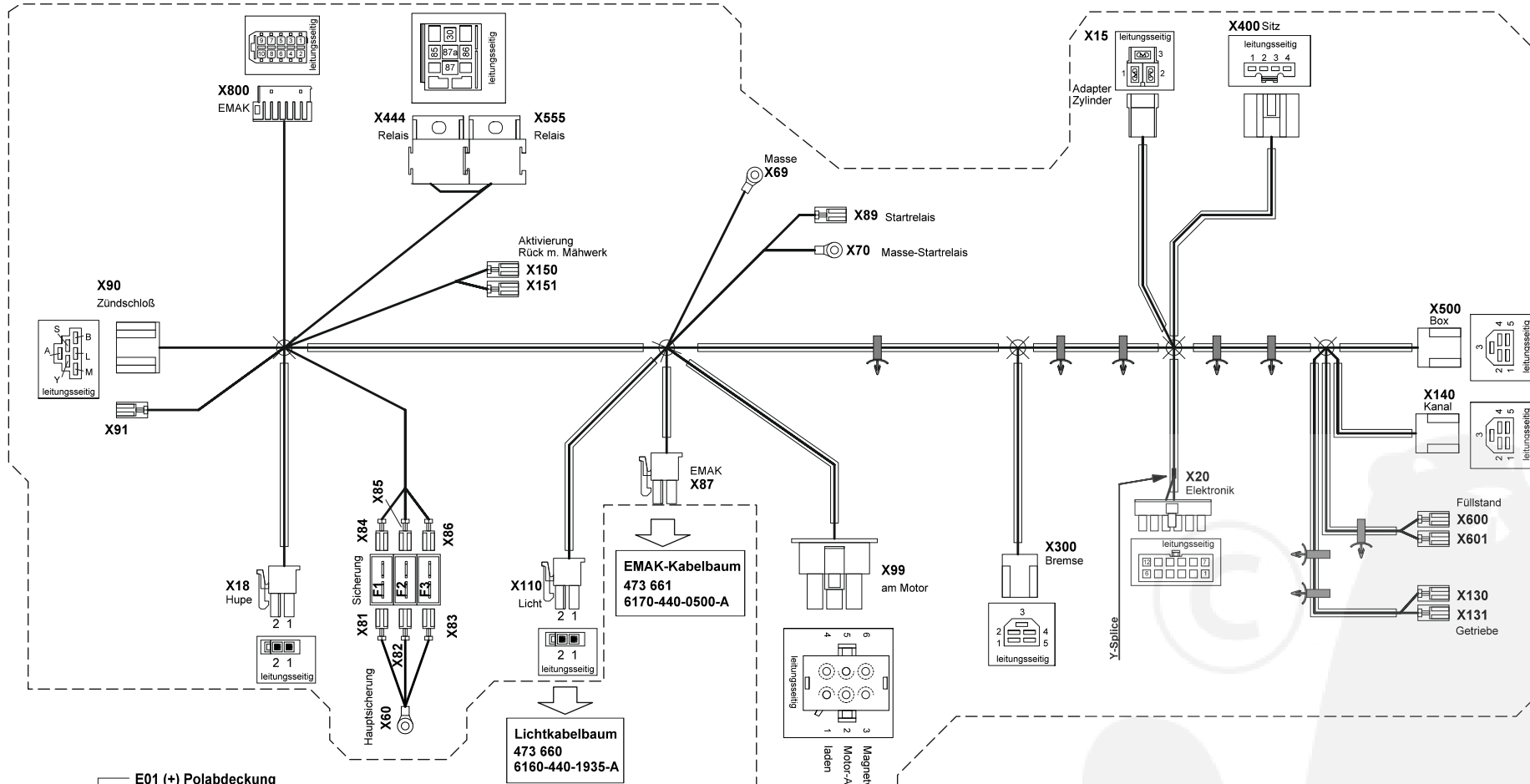
E19349-9

a	b	c	d	e	f
---	---	---	---	---	---

Powerline T 16-95.4 HD V2

AL-KO

Art. 119349



E01 (+) Polabdeckung
(+) Kennzeichnungsring

X62 (+) Batterie		X61 (90°) Hauptsicherung	473 619 Batterie - Hauptsicherung
X67 (-) Batterie		X68 (-) Kennzeichnungsring Rahmen Motorblock	473 622 Batterie - Motorblock
X63 (90°) Hauptsicherung		X64 Startrelais	473 620 Hauptsicherung - Startrelais
Startrelais		Anlasser	siehe separate Zeichnung 521 363 Startrelais - Anlasser

473 618 Kabelbaum Hauptstrang Heckauswurf (A)

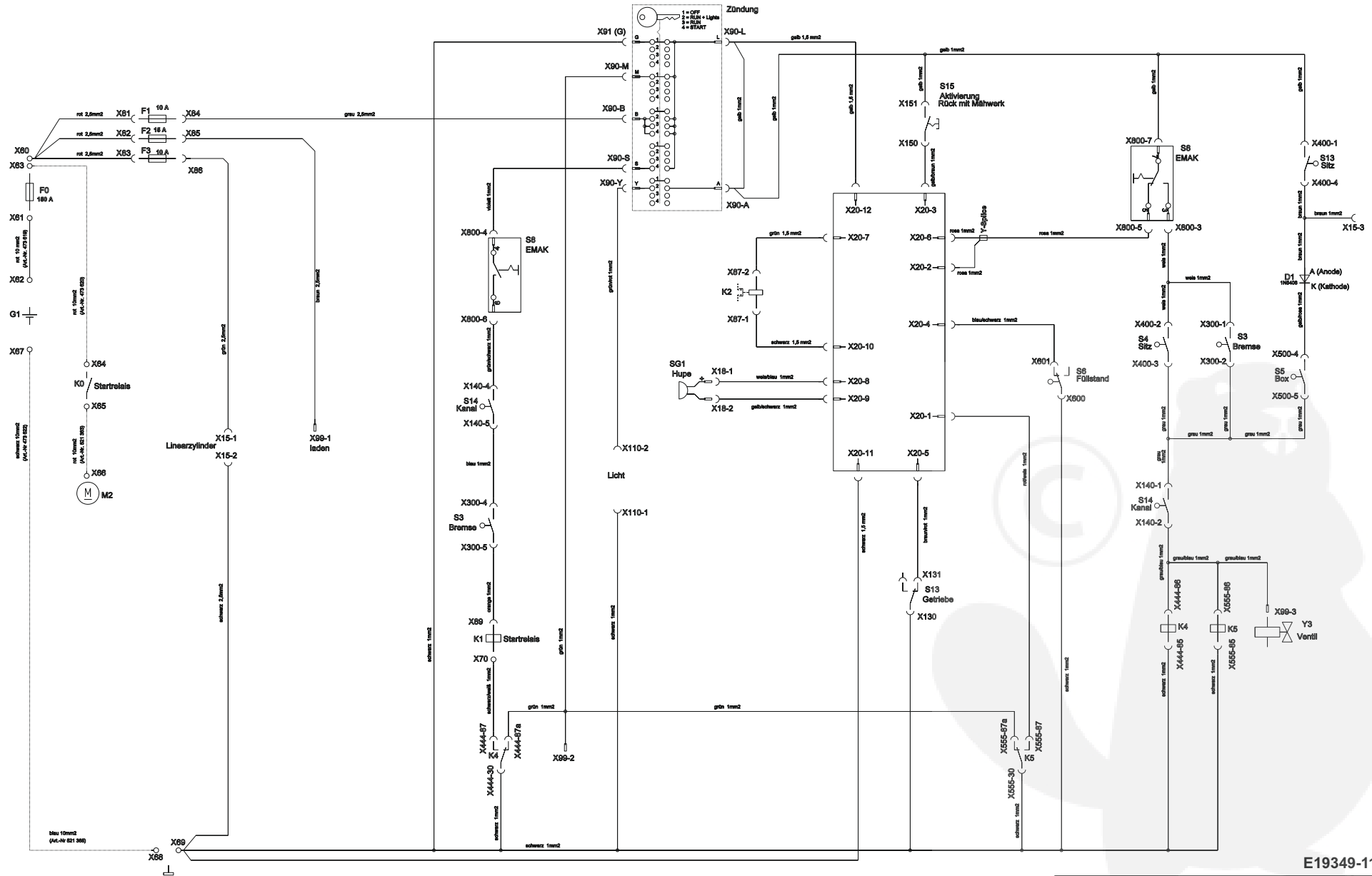
E19349-10

a	b	c	d	e	f
---	---	---	---	---	---

Powerline T 16-95.4 HD V2

Art. 119349

AL-KO



E19349-11

a	b	c	d	e	f
---	---	---	---	---	---