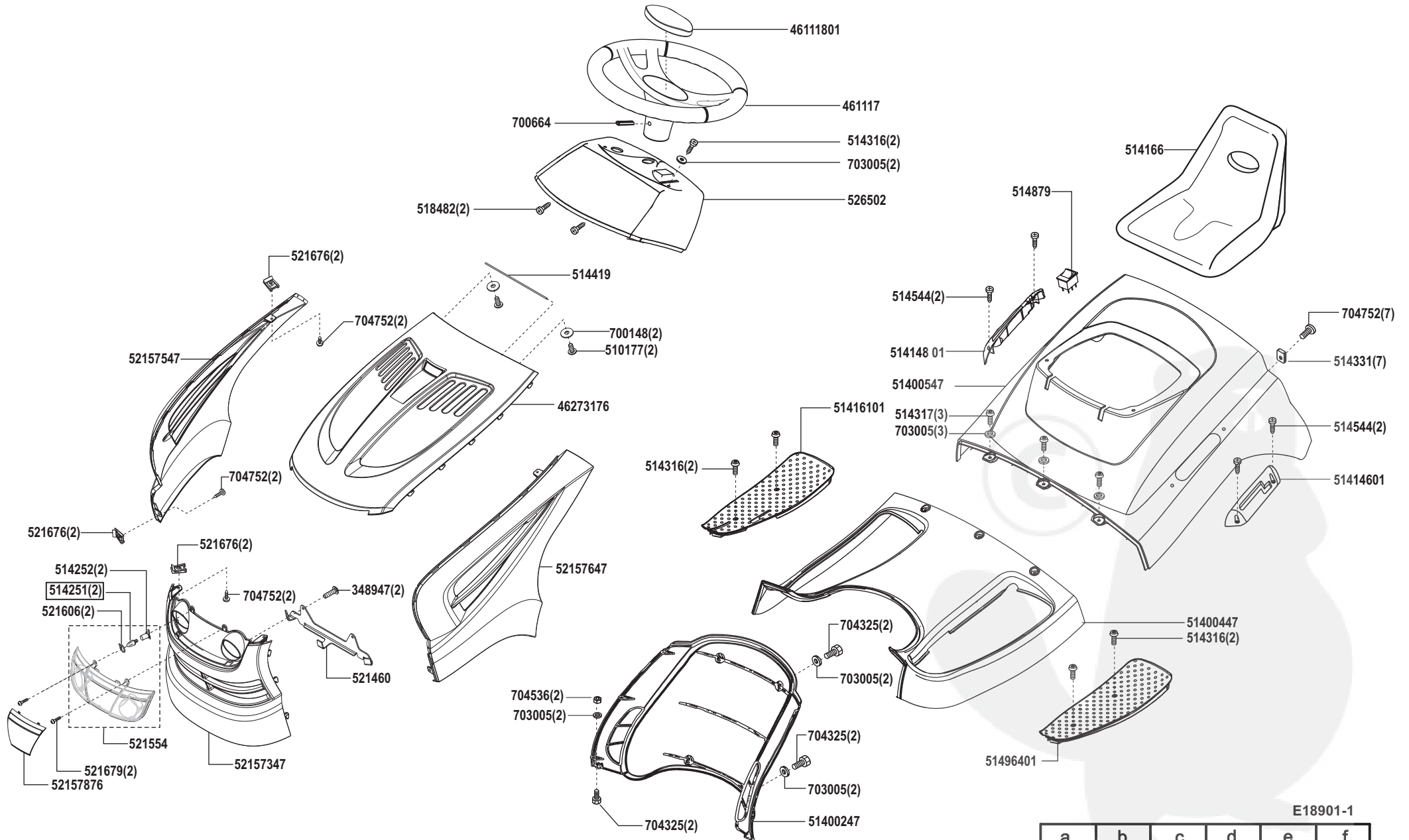


Crossover 102/15

Art. Nr. 118901 / (65058)

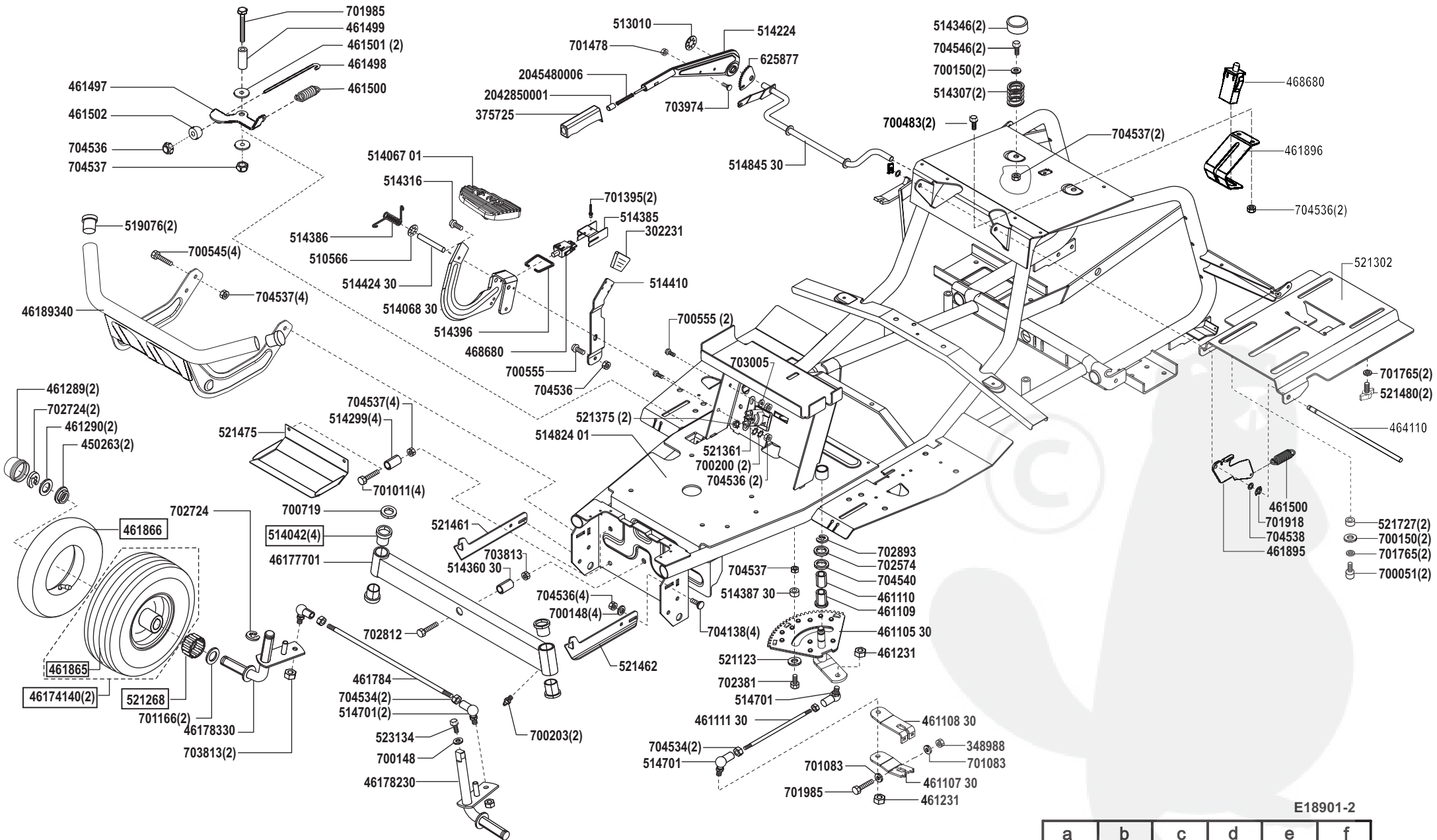


E18901-1

a	b	c	d	e	f
01/07	10/07				

Crossover 102/15

Art. Nr. 118901 / (65058)

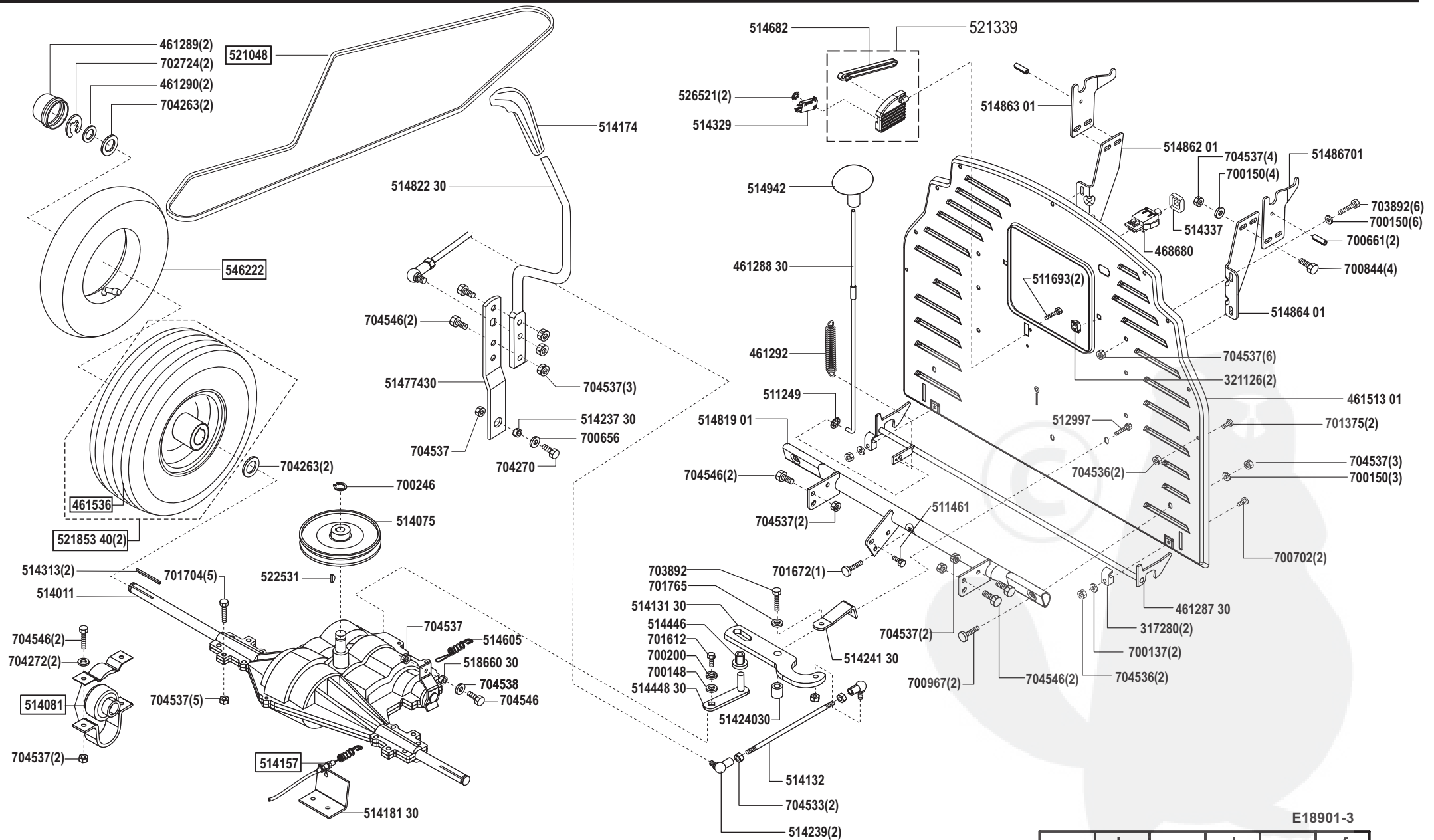


E18901-2

a	b	c	d	e	f
---	---	---	---	---	---

Crossover 102/15

Art. Nr. 118901 / (65058)

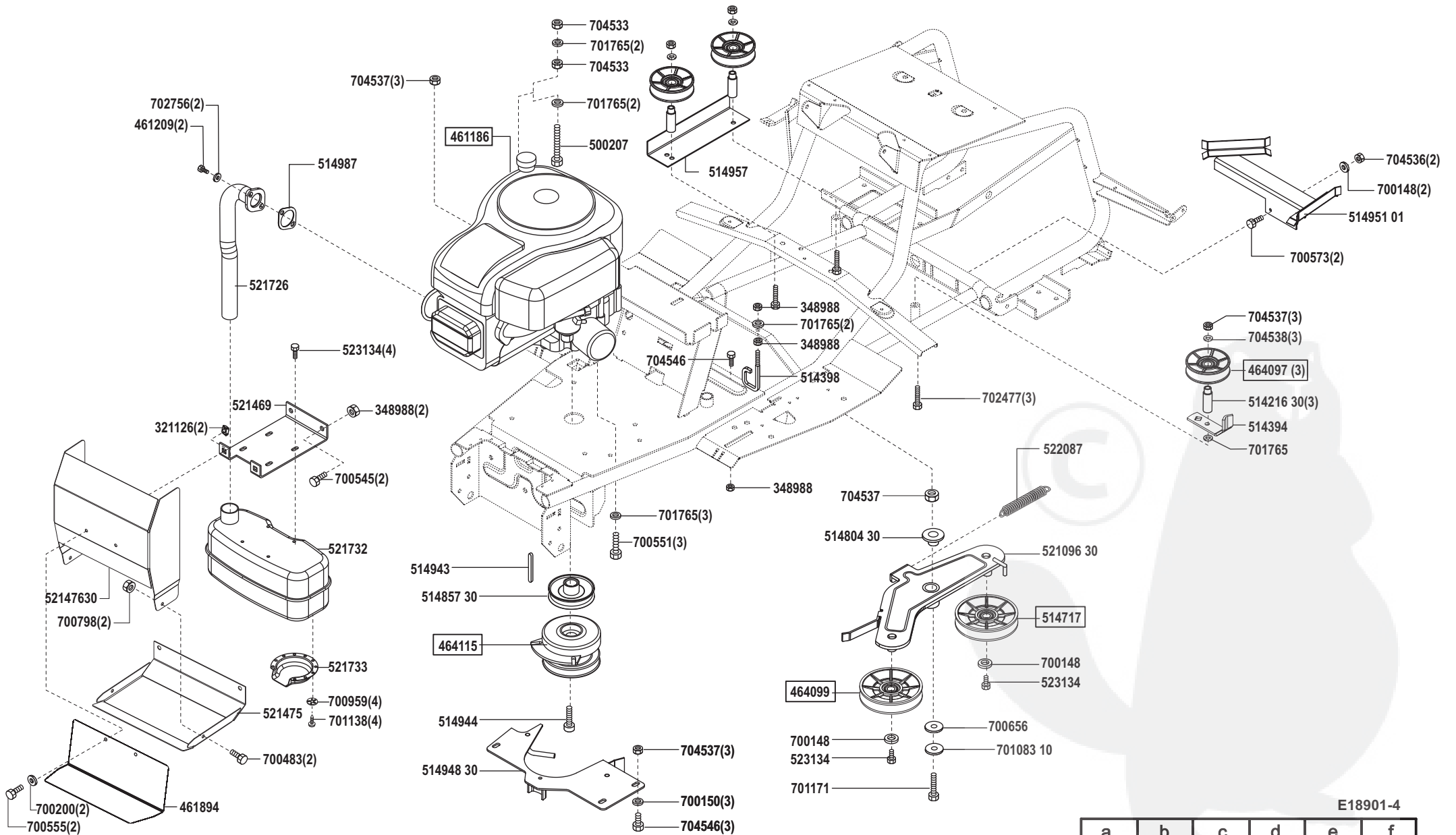


E18901-3

a	b	c	d	e	f
---	---	---	---	---	---

Crossover 102/15

Art. Nr. 118901 / (65058)

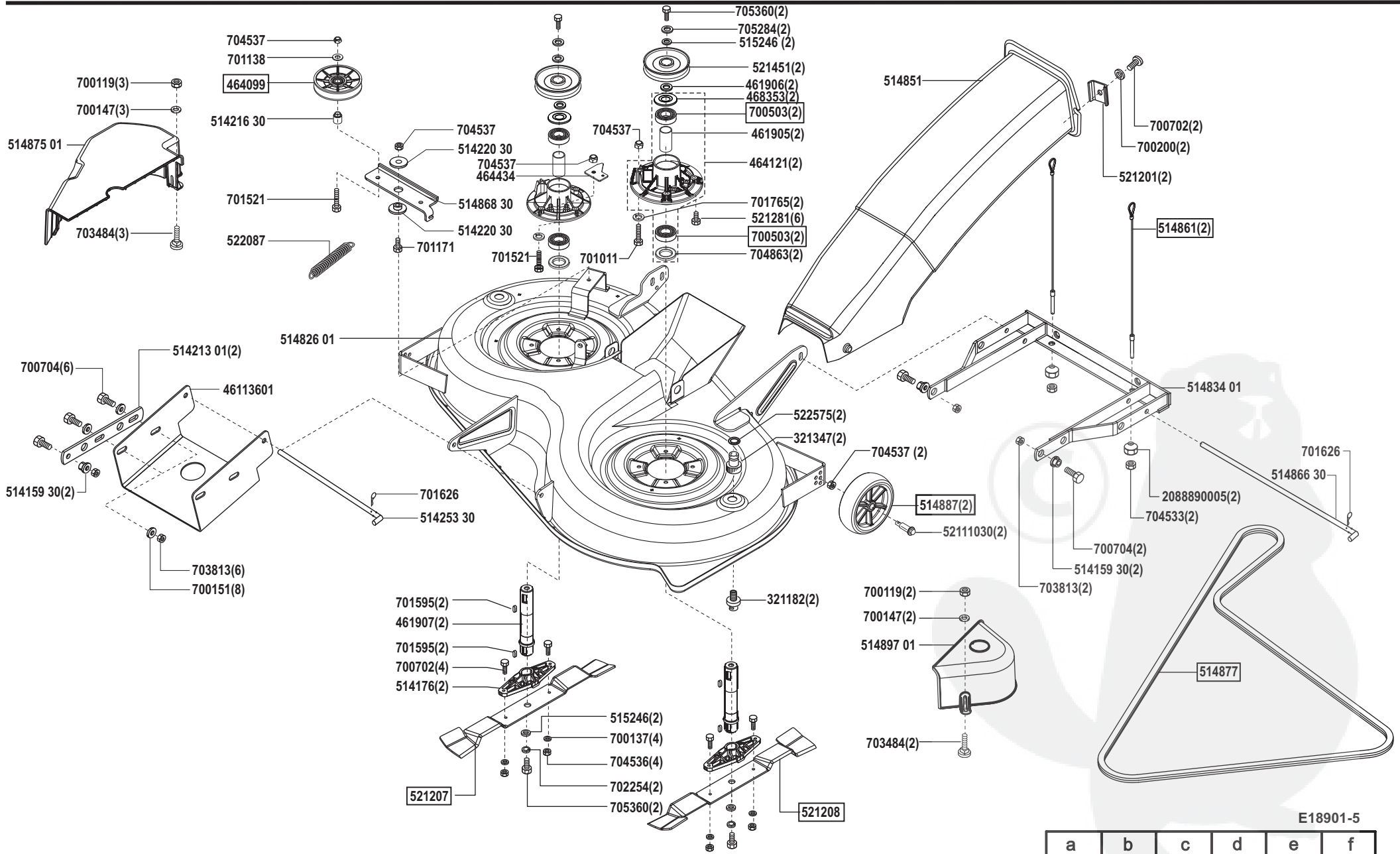


E18901-4

a	b	c	d	e	f
---	---	---	---	---	---

Crossover 102/15

Art. Nr. 118901 / (65058)

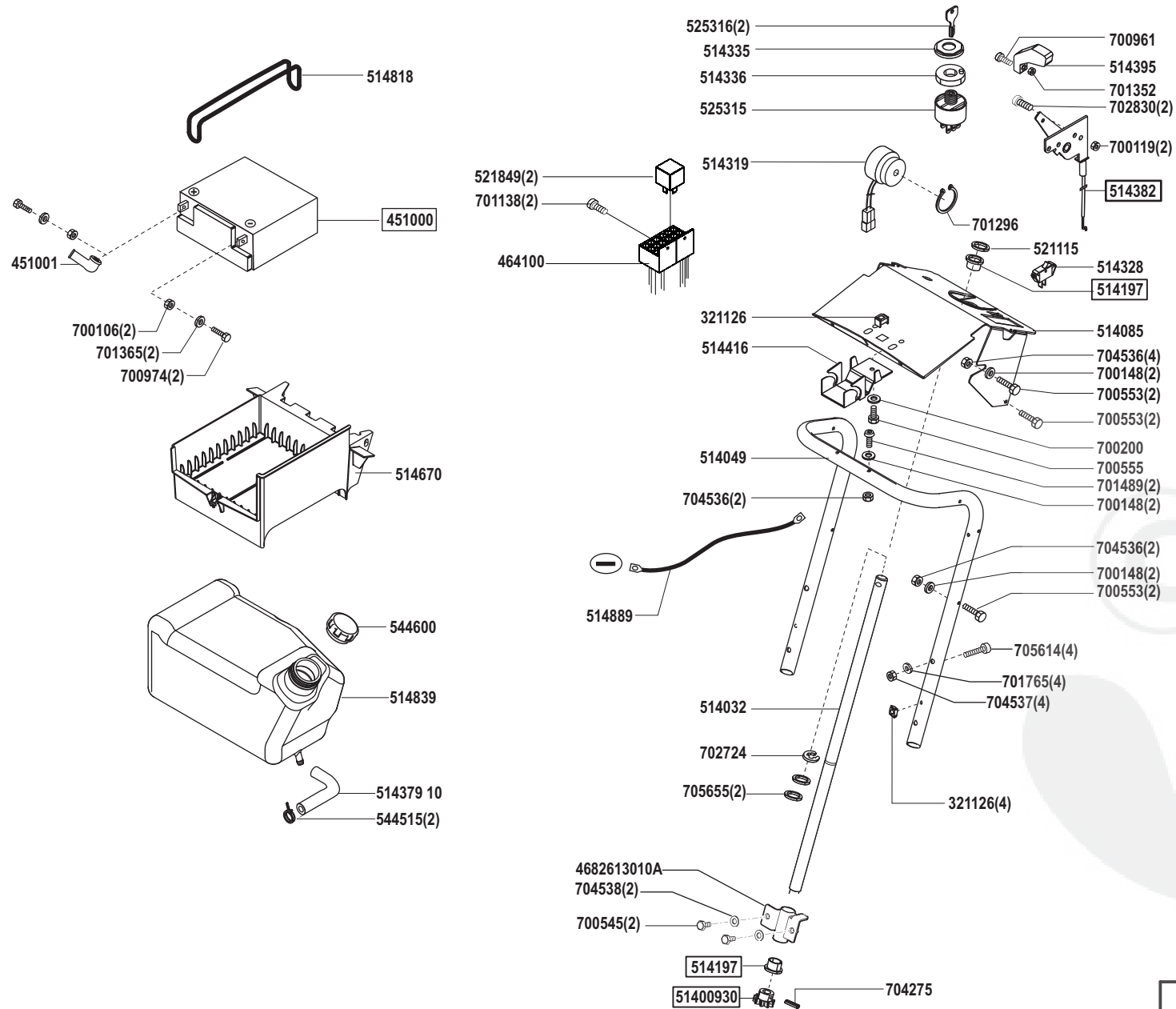


E18901-5

a	b	c	d	e	f
---	---	---	---	---	---

Crossover 102/15

Art. Nr. 118901 / (65058)

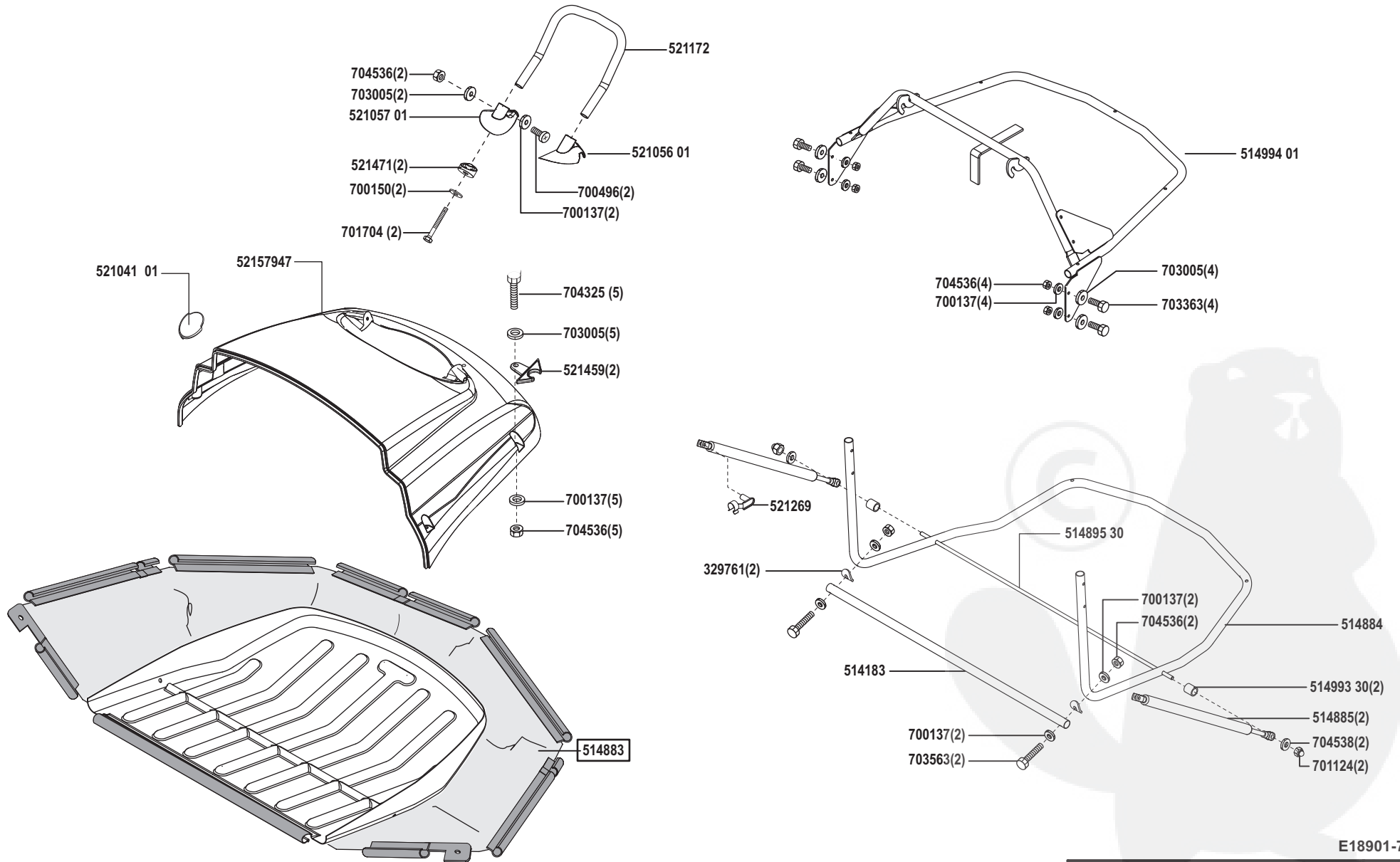


E18901-6

a	b	c	d	e	f
---	---	---	---	---	---

Crossover 102/15

Art. Nr. 118901 / (65058)

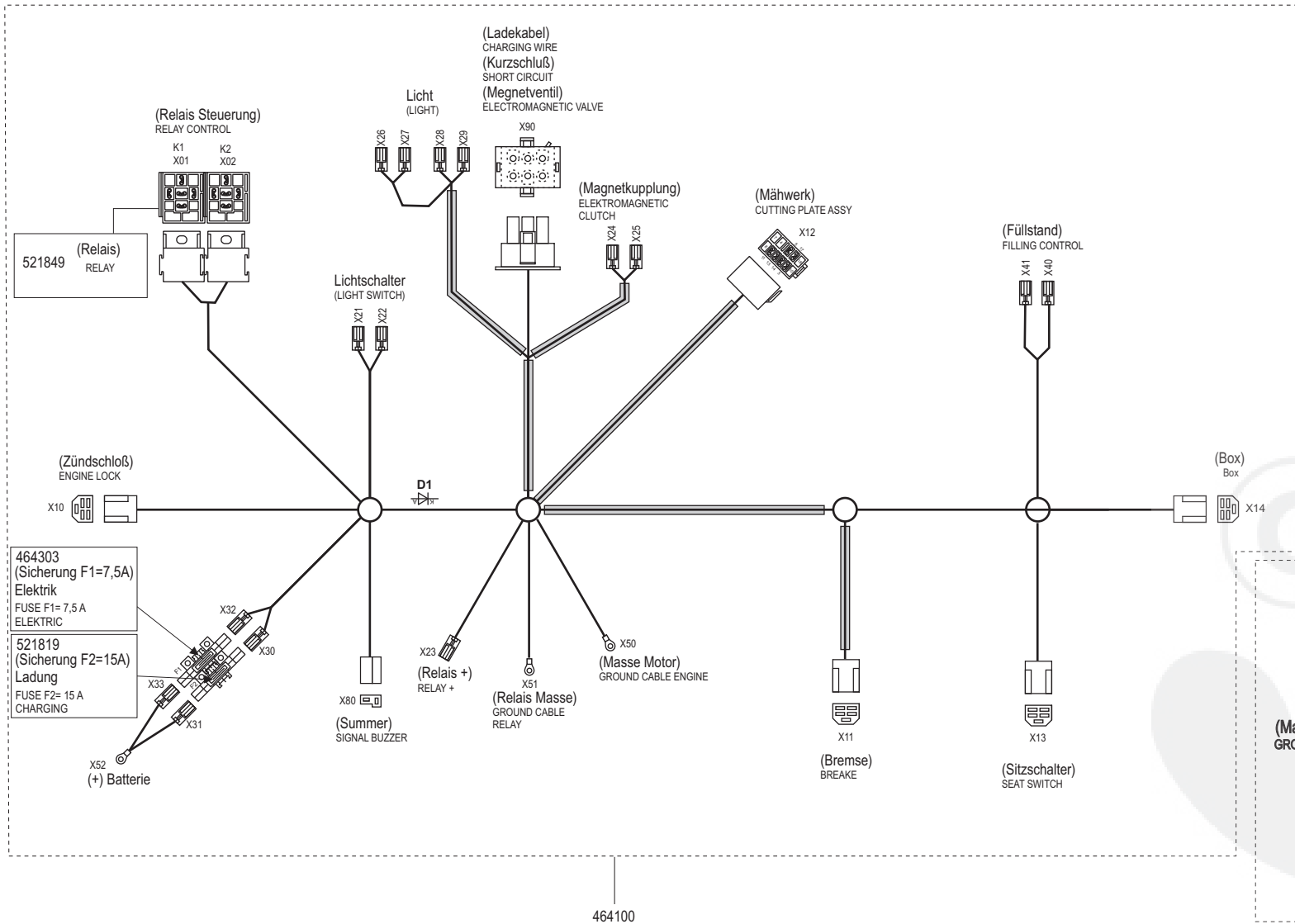


E18901-7

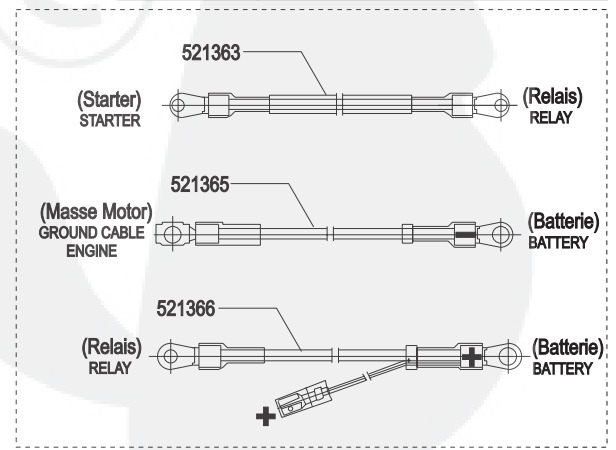
a	b	c	d	e	f
09/07					

Crossover 102/15

Art. Nr. 118901 / (65058)



(Sicherung) FUSE	F1 F2
(Summer) SIGNAL BUZZER X80	Leitungsschalt
(Ladekabel) CHARGING WIRE (Kurzschluß) SHORT CIRCUIT (Megnetventil) ELECTROMAGNETIC VALVE X90	Leitungsschalt
(Brems) BREAKE X11	Leitungsschalt
(Sitzschalter) SEAT SWITCH X13	Leitungsschalt
(Box) Box X14	Leitungsschalt
(Zündschloß) ENGINE LOCK X10	Leitungsschalt
D1	
(Mähwerk) CUTTING PLATE ASSY X12	Leitungsschalt
(Relais Steuerung) RELAY CONTROL K1 X01	
(Relais Steuerung) RELAY CONTROL K2 X02	



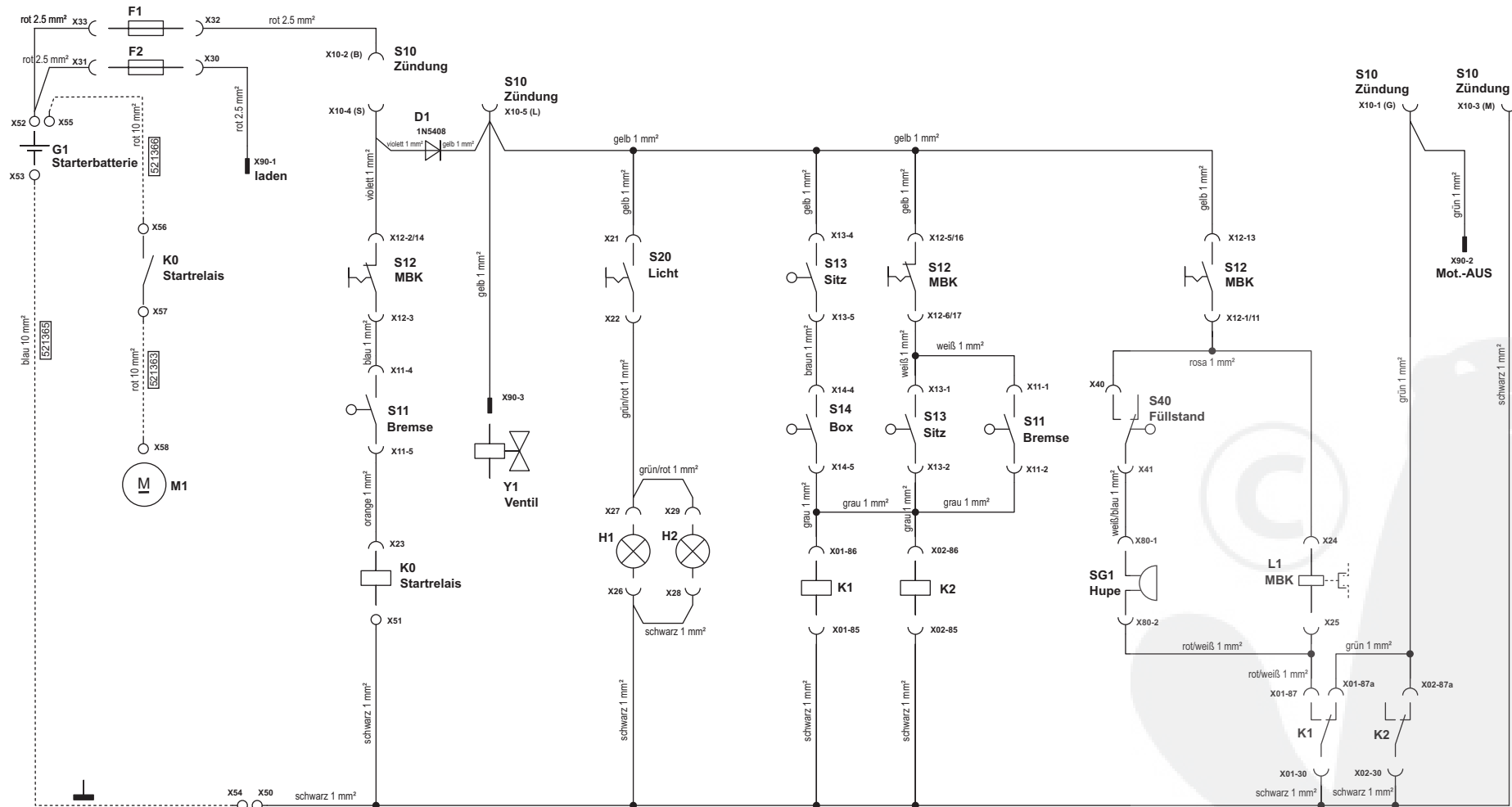
464100

E18901-8

a	b	c	d	e	f
---	---	---	---	---	---

Crossover 102/15

Art. Nr. 118901 / (65058)



E18901-9

a	b	c	d	e	f
---	---	---	---	---	---