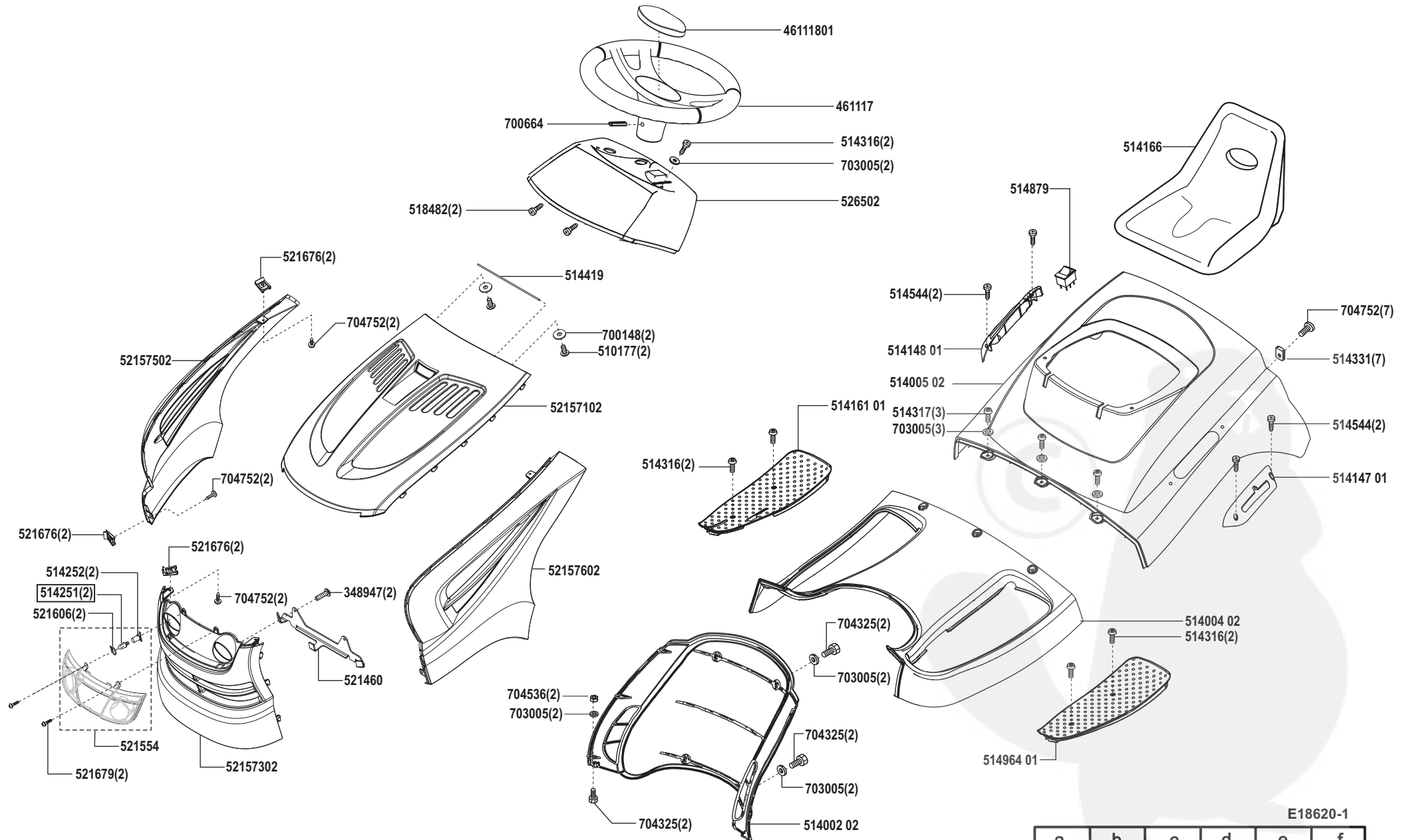


# Power Line T 15-102 HD

Art. 118620

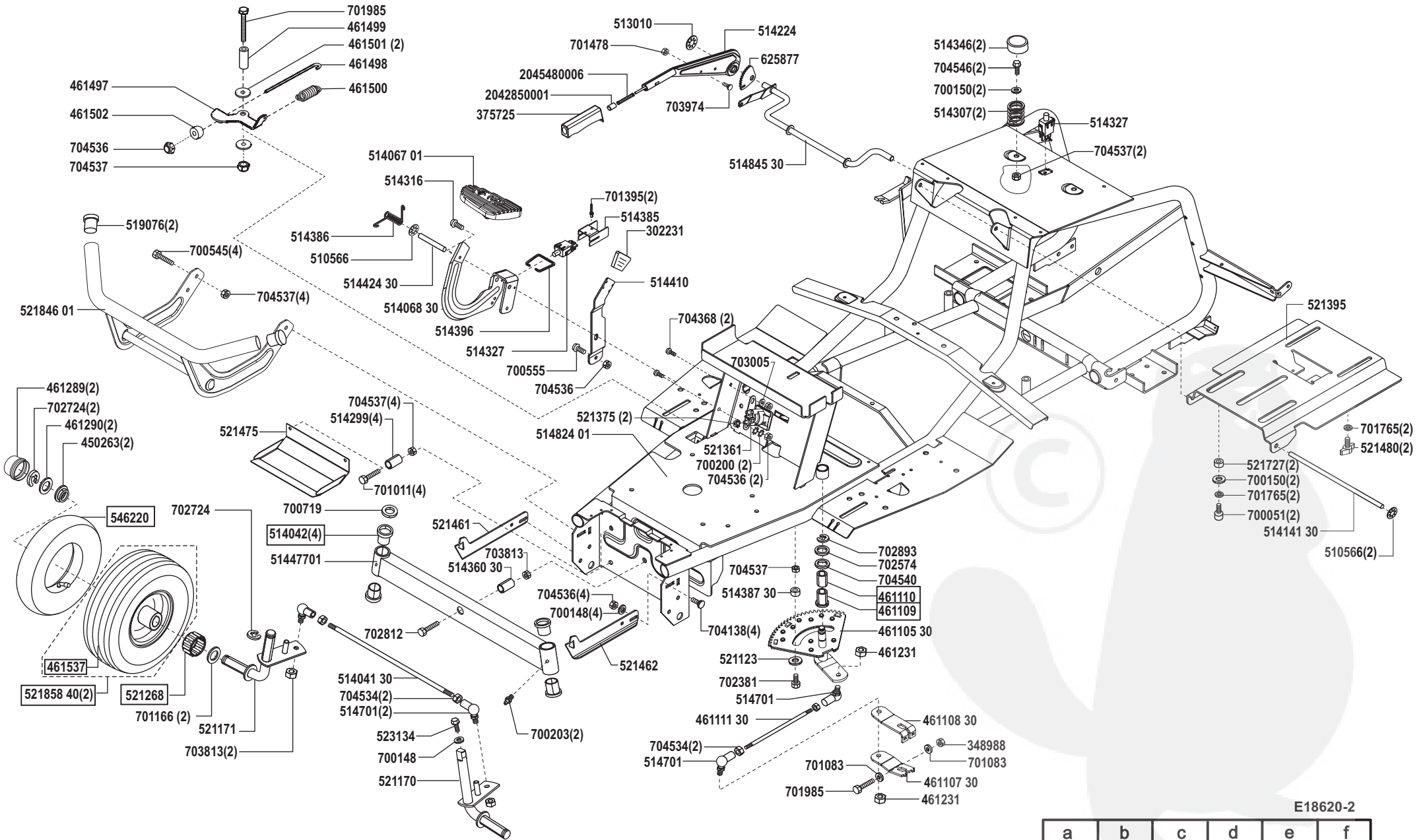


E18620-1

a	b	c	d	e	f
10/04					

# Power Line T 15-102 HD

Art. 118620

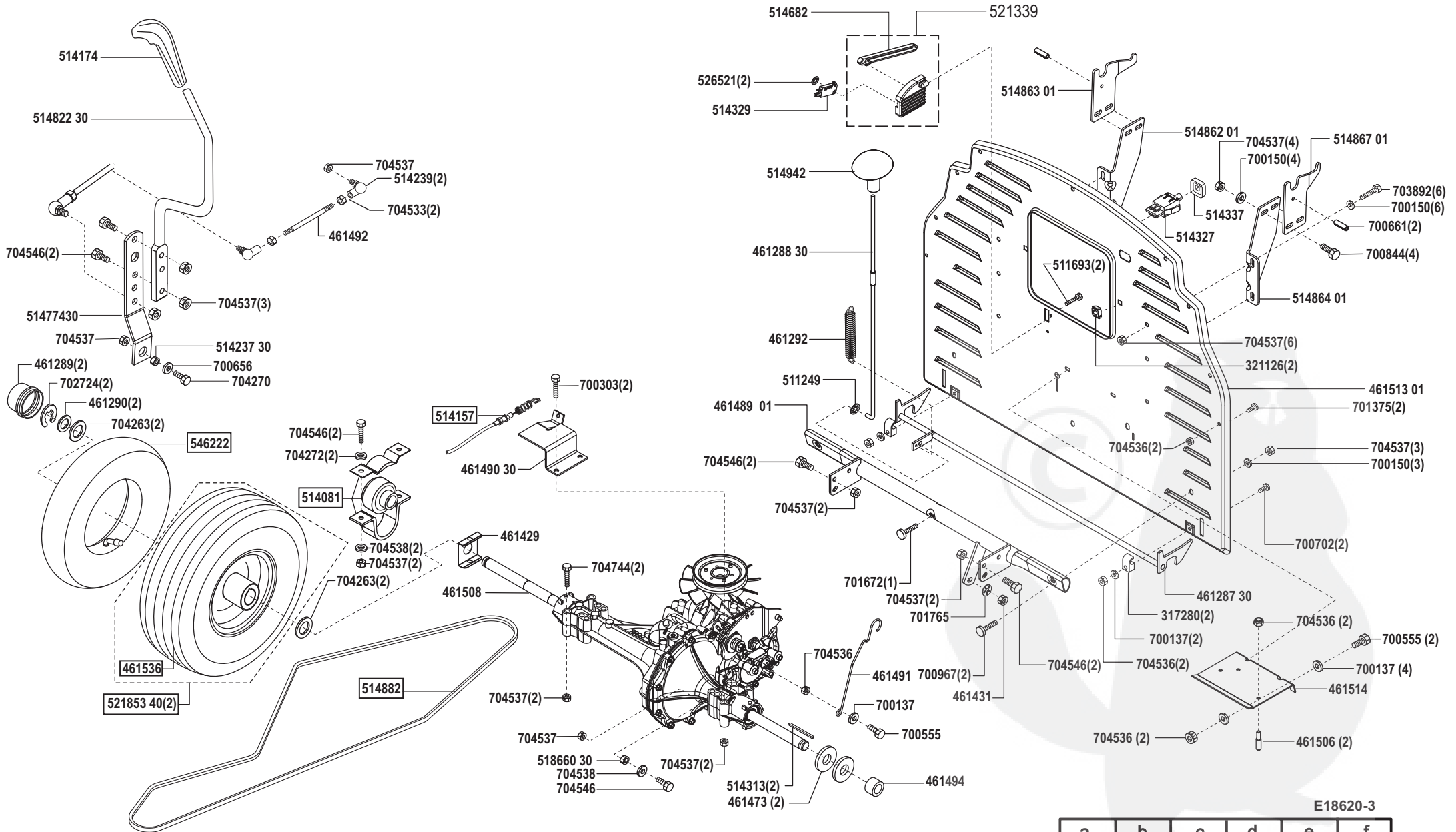


E18620-2

a	b	c	d	e	f
---	---	---	---	---	---

# Power Line T 15-102 HD

Art. 118620

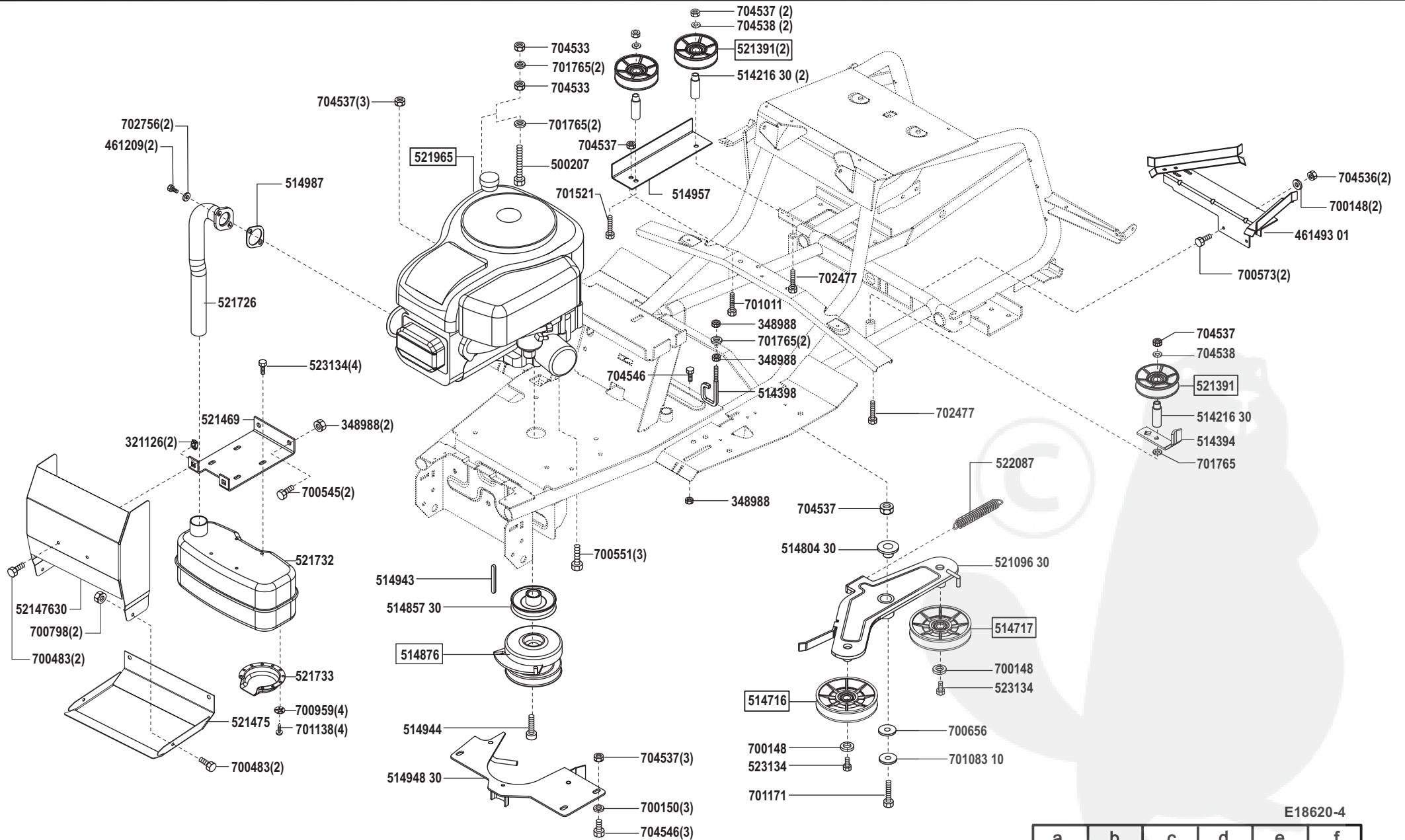


E18620-3

a	b	c	d	e	f
---	---	---	---	---	---

# Power Line T 15-102 HD

Art. 118620



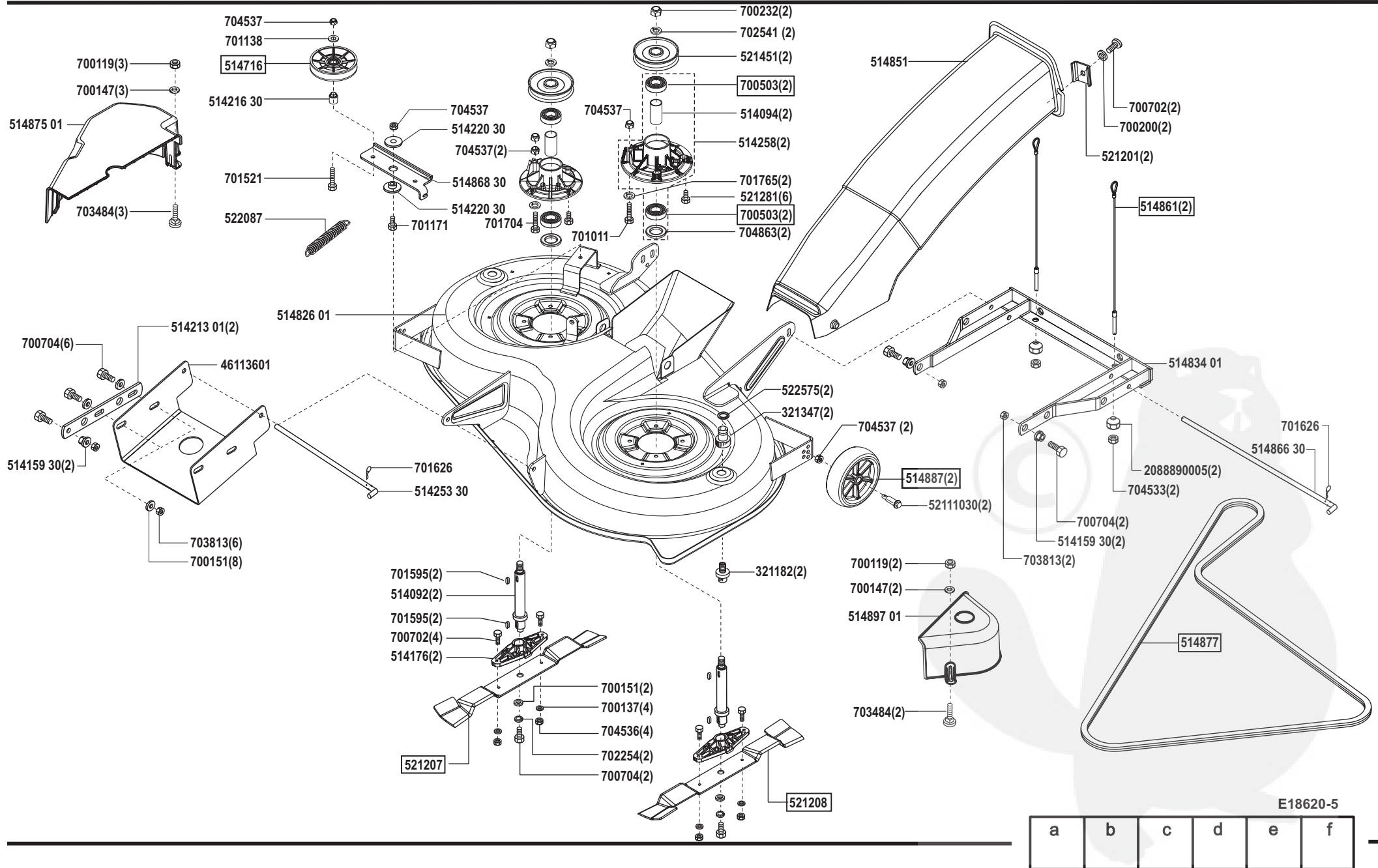
E18620-4

a	b	c	d	e	f
---	---	---	---	---	---



# Power Line T 15-102 HD

Art. 118620

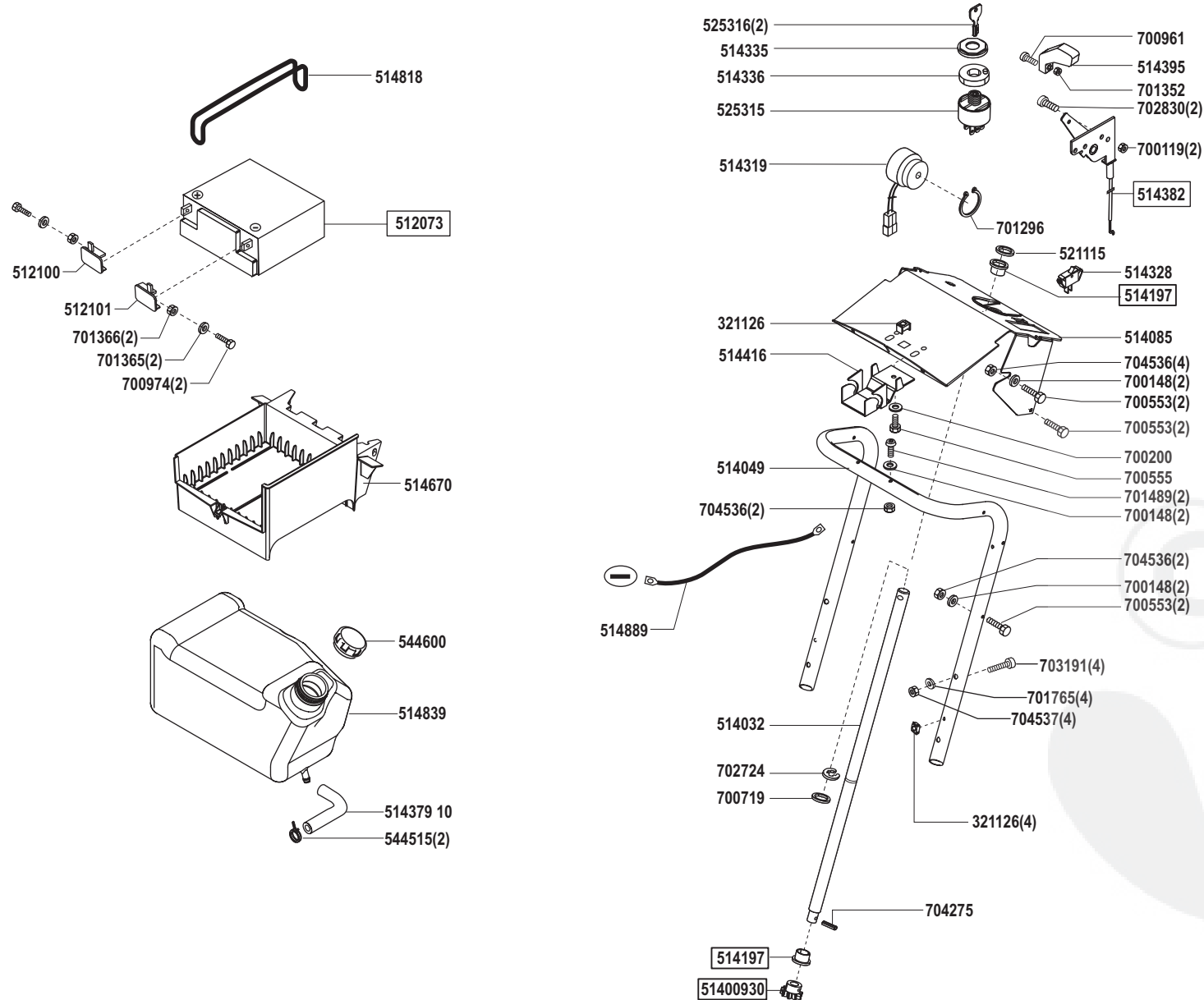


E18620-5

a	b	c	d	e	f
---	---	---	---	---	---

# Power Line T 15-102 HD

Art. 118620

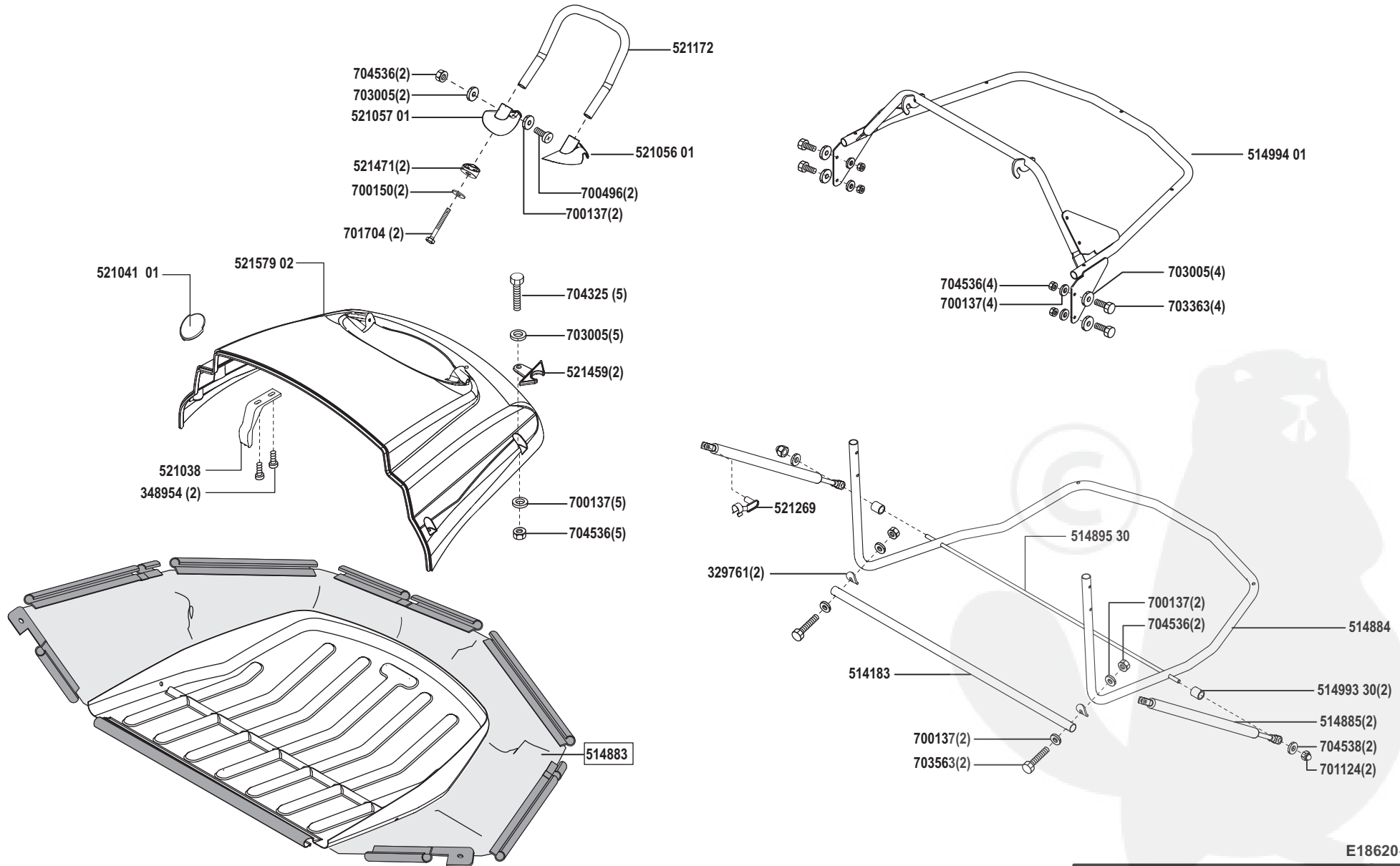


E18620-6

a	b	c	d	e	f
---	---	---	---	---	---

# Power Line T 15-102 HD

Art. 118620



E18620-7

a	b	c	d	e	f
---	---	---	---	---	---

# Power Line T 15-102 HD

Art. 118620

