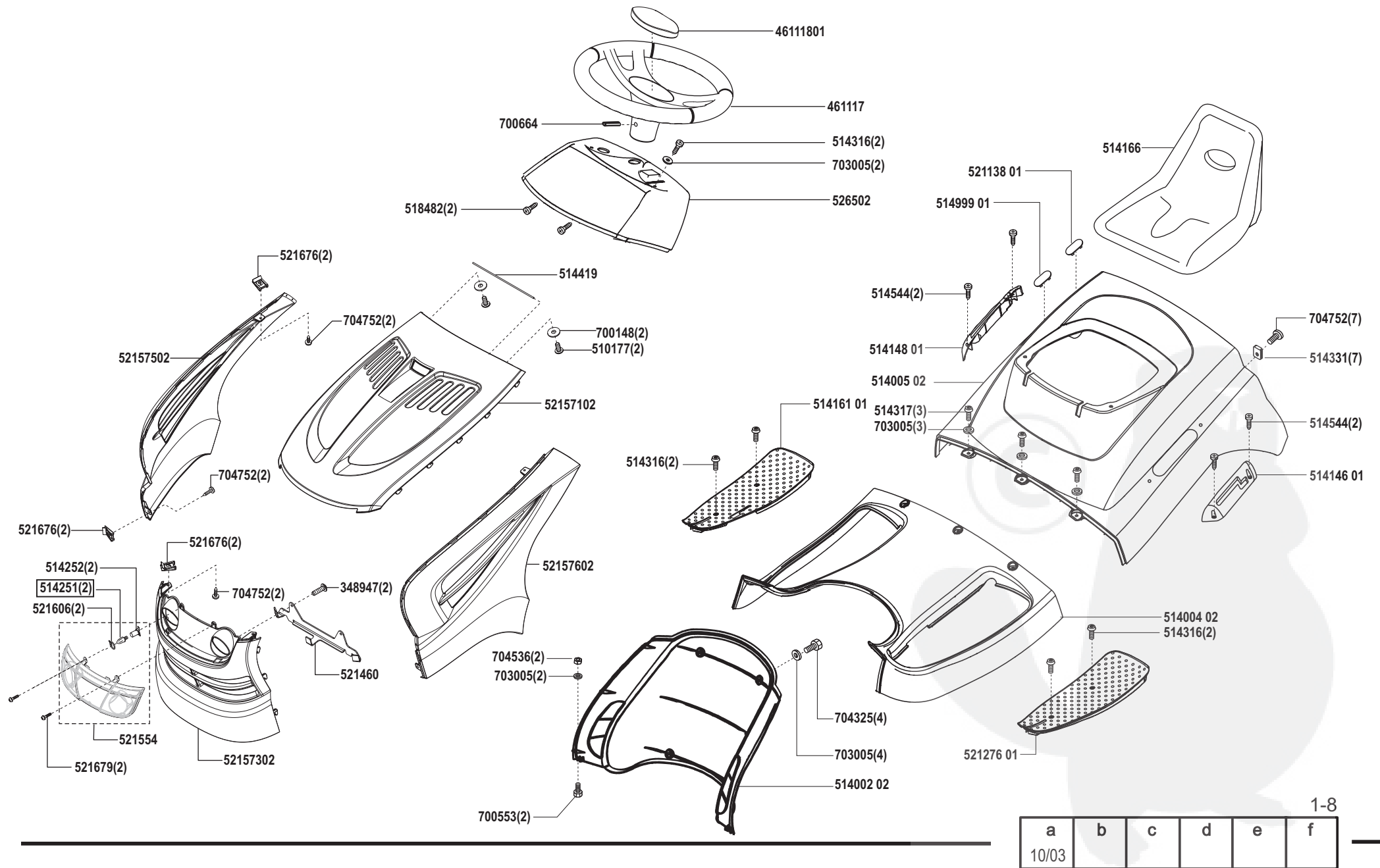


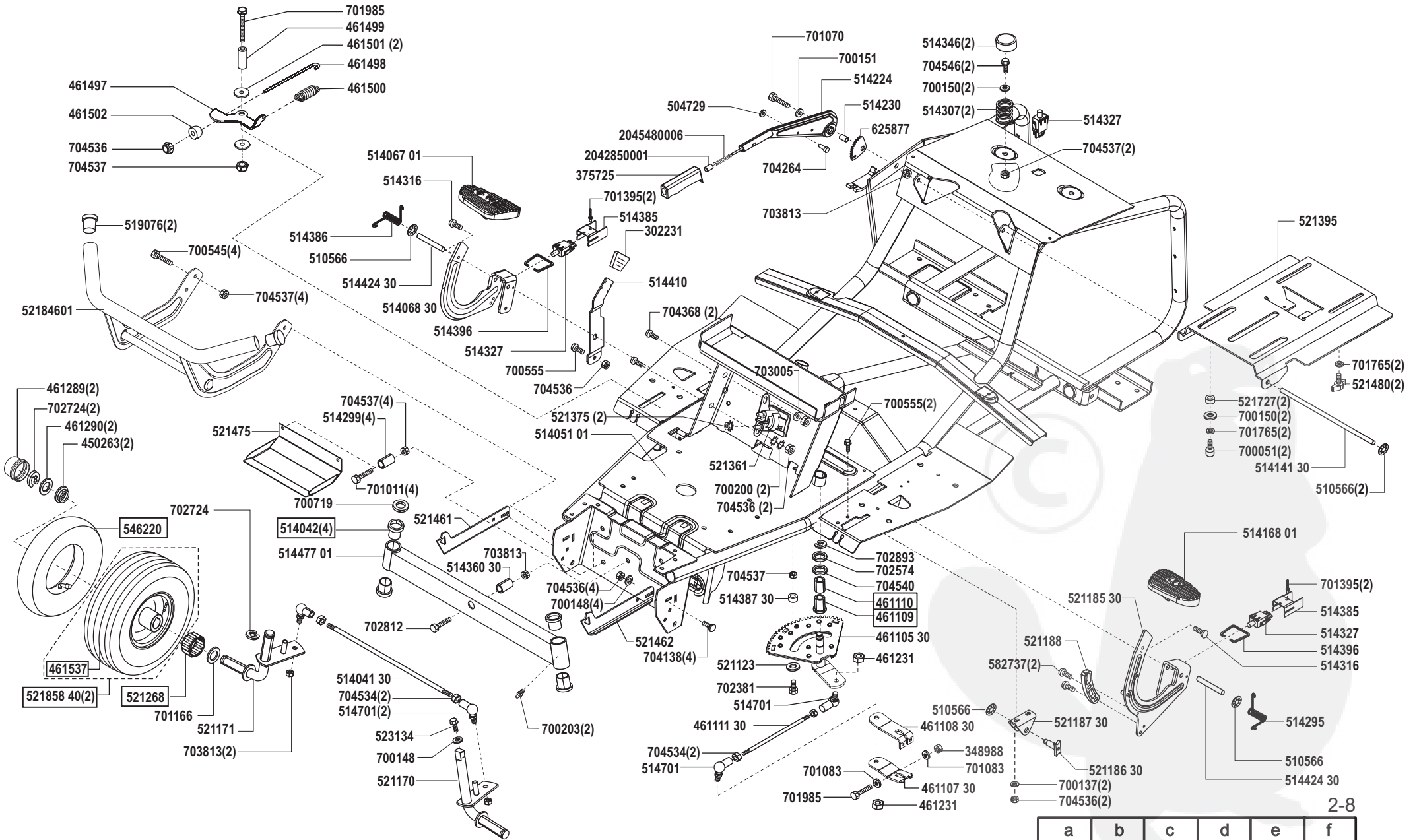
# Power Line T 13-74

Art. Nr. 118514



# Power Line T 13-74

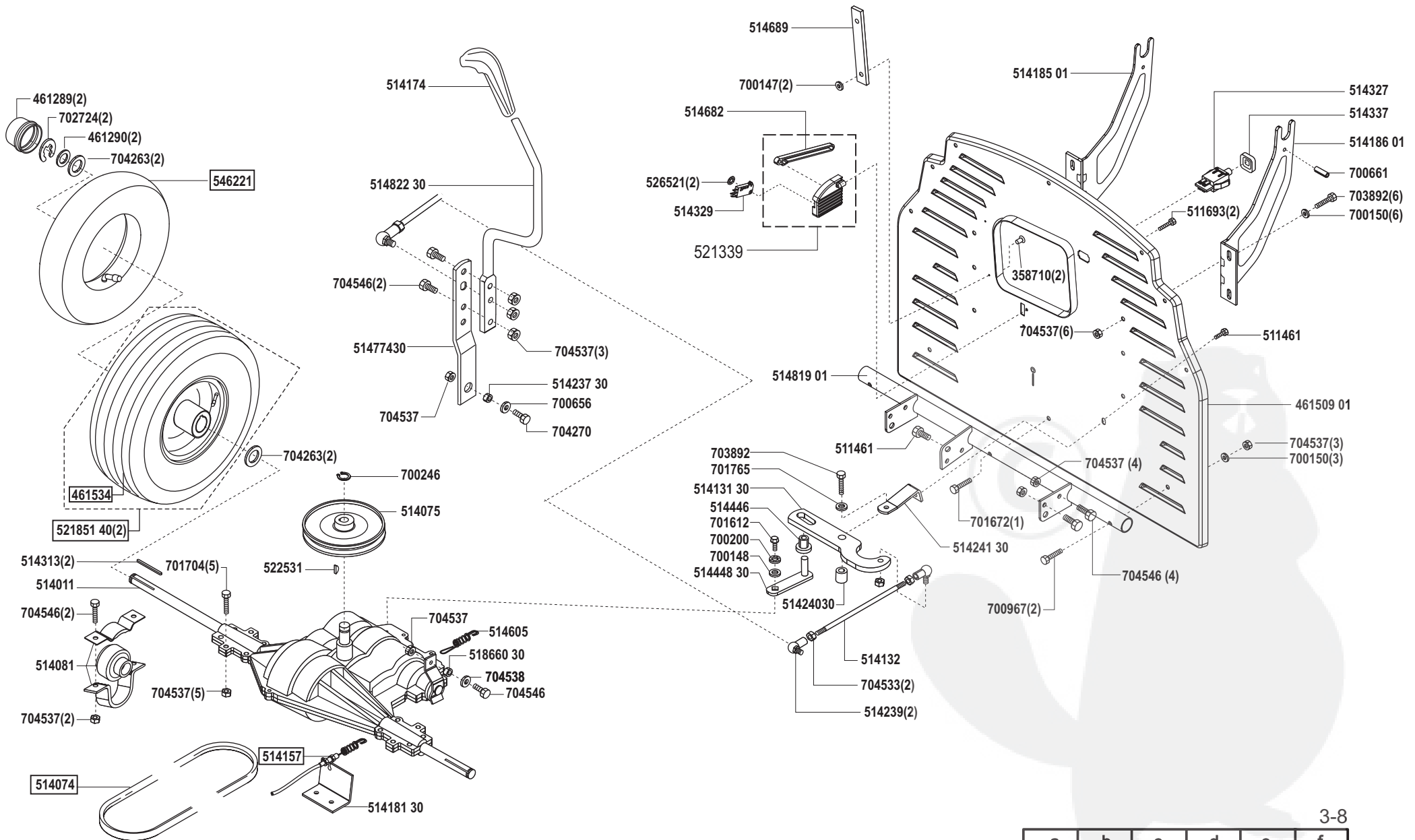
Art. Nr. 118514



a	b	c	d	e	f
10/04	01/05				

# Power Line T 13-74

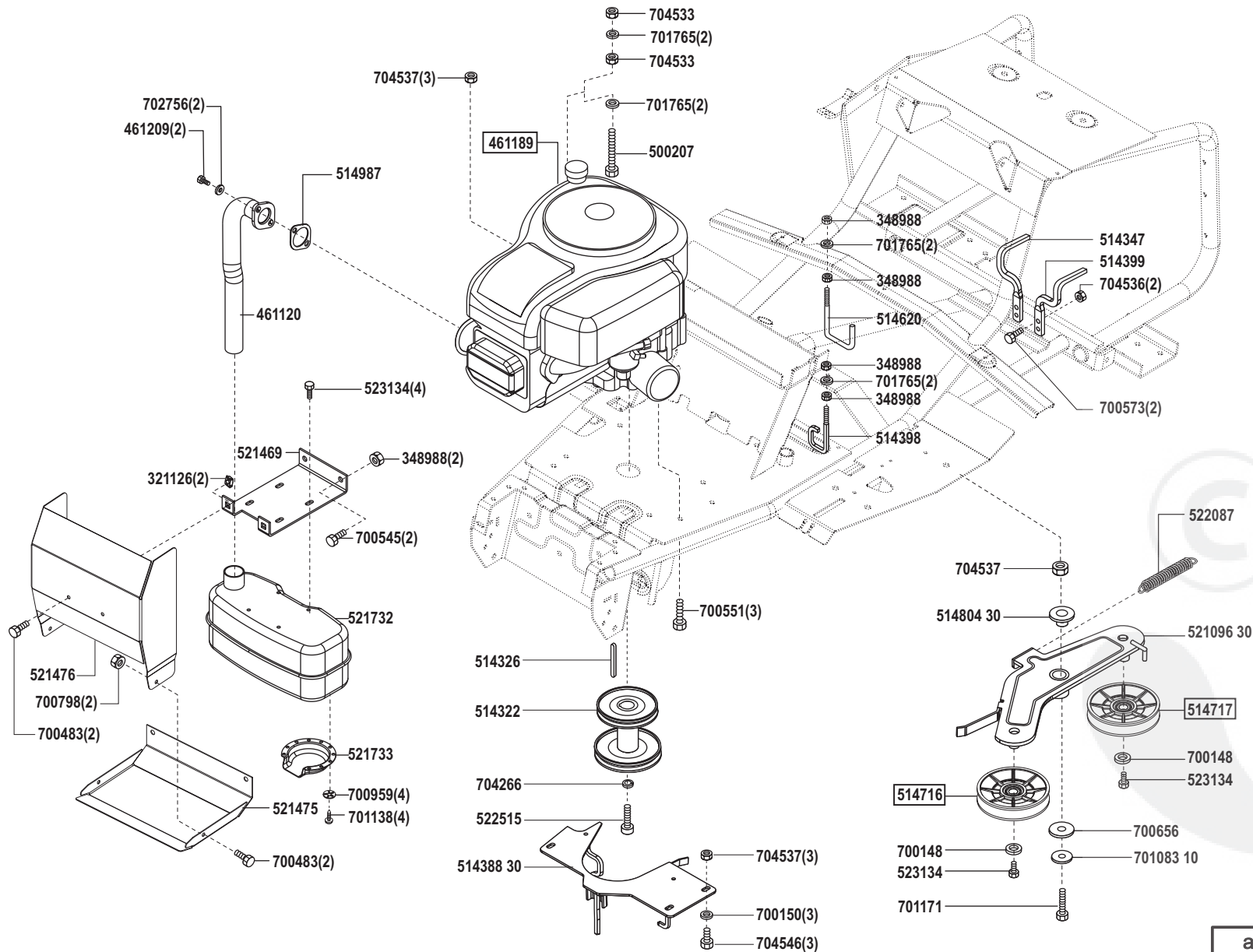
Art. Nr. 118514



a	b	c	d	e	f
10/04					

# Power Line T 13-74

Art. Nr. 118514

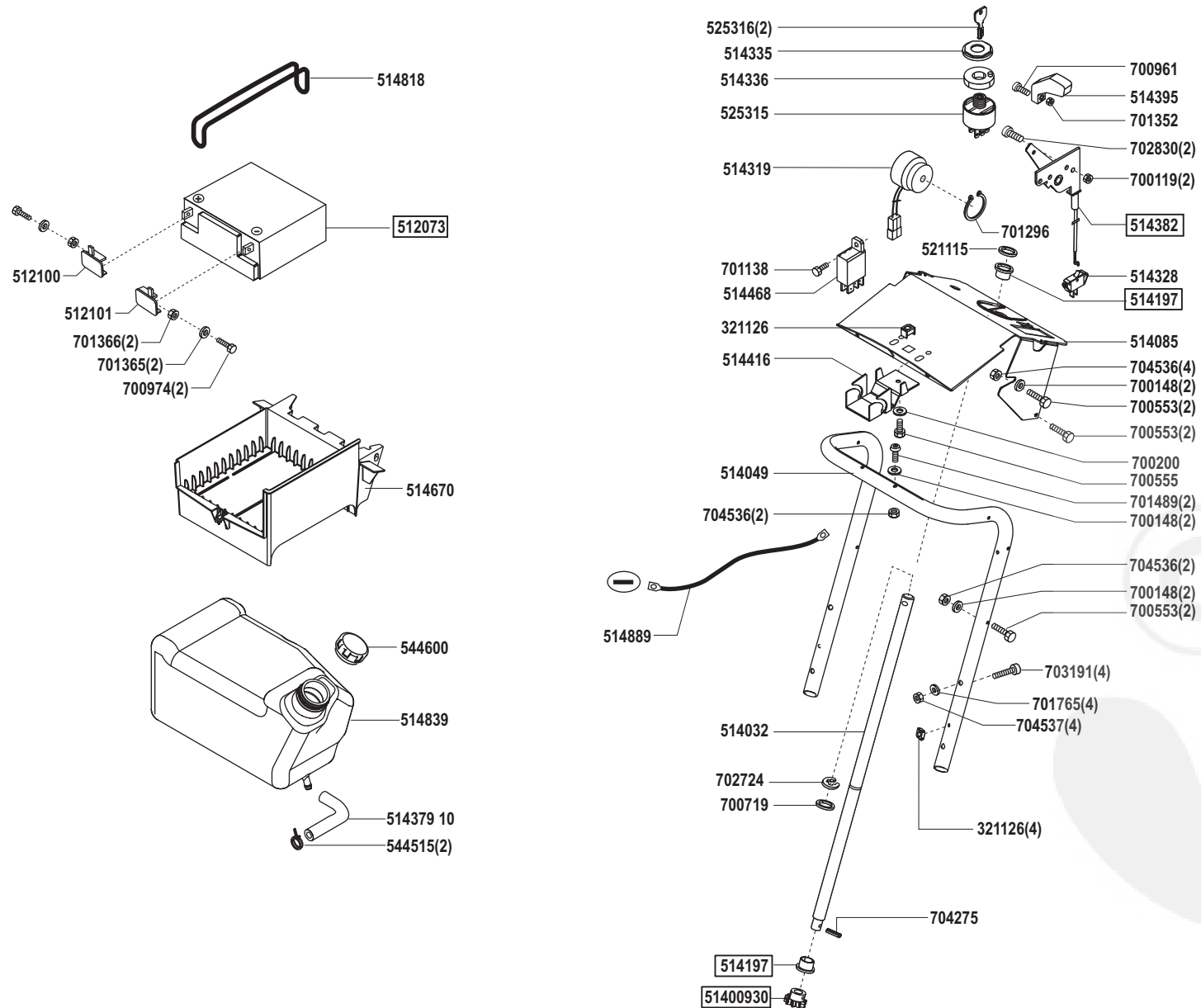


a	b	c	d	e	f
01/05					



# Power Line T 13-74

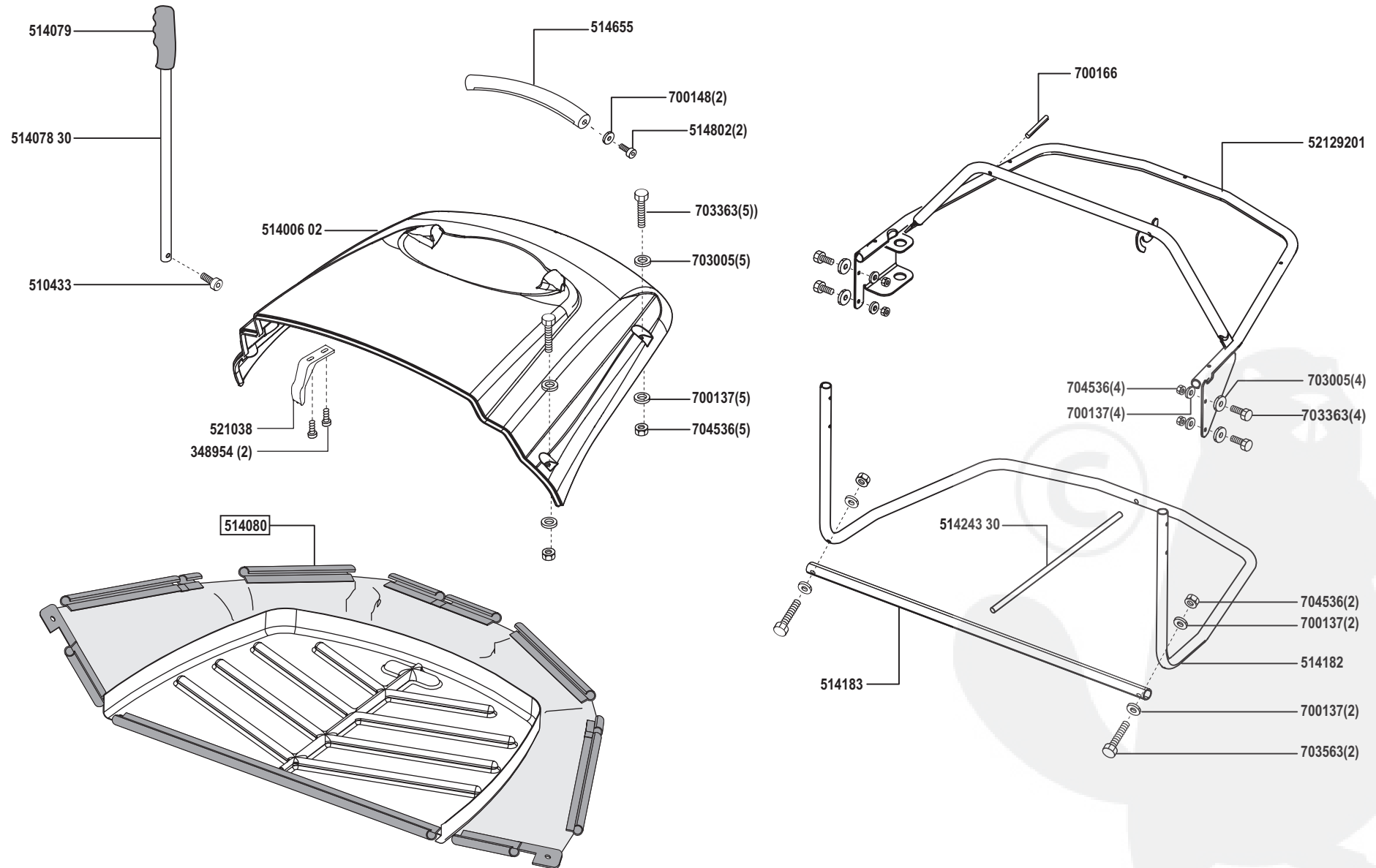
Art. Nr. 118514



a	b	c	d	e	f
---	---	---	---	---	---

# Power Line T 13-74

Art. Nr. 118514



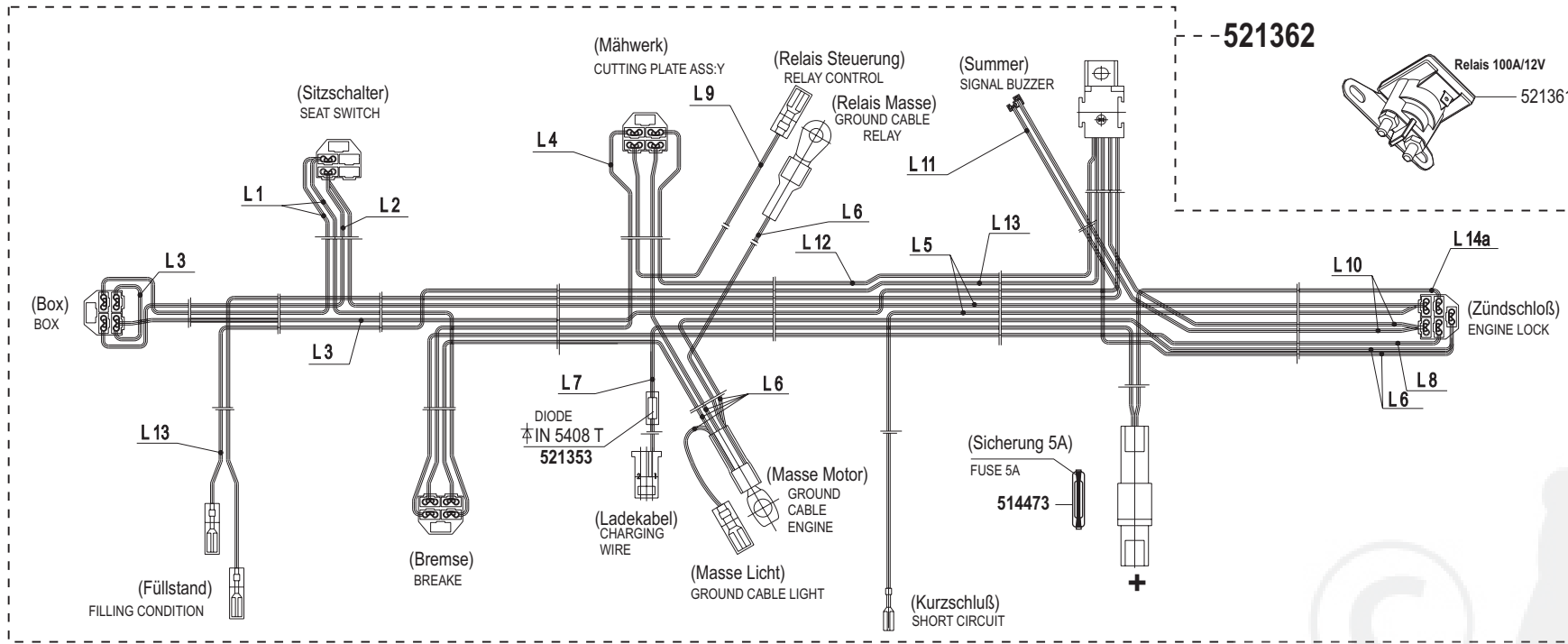
a	b	c	d	e	f
---	---	---	---	---	---

# Power Line T 13-74

Art. Nr. 118514

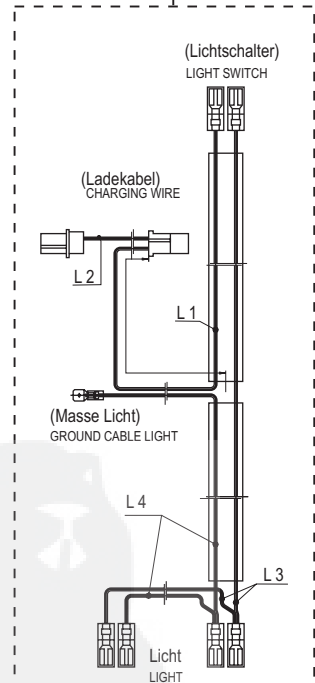
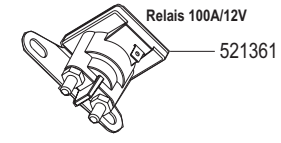
# ALKO

Garten+Hobby

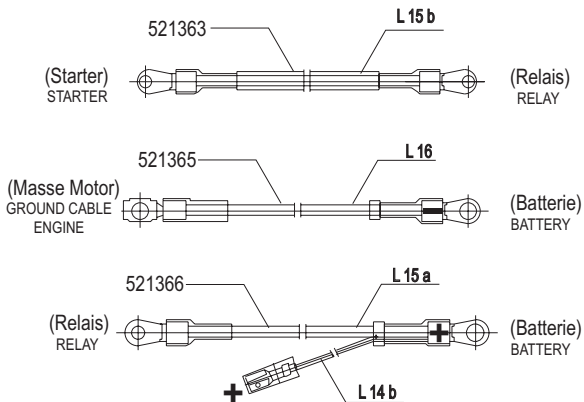


521362

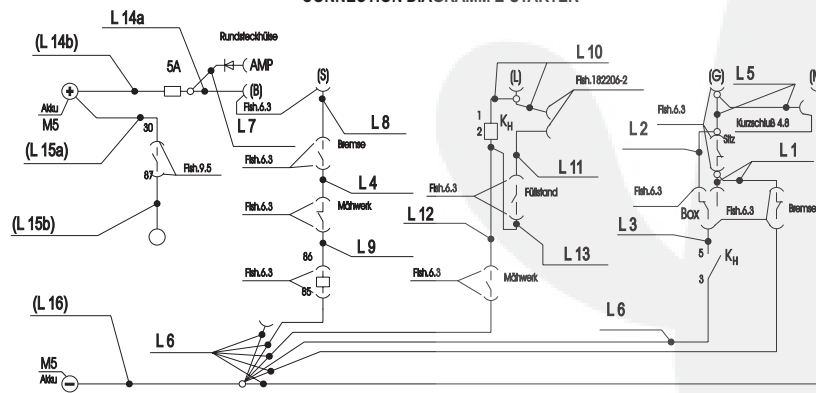
514246



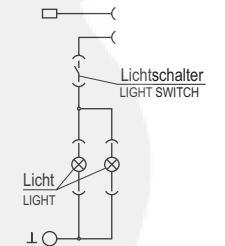
- L 1 = rosa pink
- L 2 = grau grey
- L 3 = weiß white
- L 4 = braun brown
- L 5 = grün green
- L 6 = schwarz black
- L 7 = rot red
- L 8 = violett violet
- L 9 = orange orange
- L 10 = gelb yellow
- L 11 = blau blue
- L 12 = rot/weiß red/white
- L 13 = weiß/blau white/blue
- L 14 a = rot red
- (L 14 b) = rot red
- (L 15 a) = rot red
- (L 15 b) = rot red
- (L 16) = blau blue



Schaltplan Traktor E-Start  
CONNECTION DIAGRAM E-STARTER



Schaltplan Licht  
CONNECTION DIAGRAM LIGHT



- L 1 = weiß white
- L 2 = rot red
- L 3 = braun brown
- L 4 = schwarz black

8-8

a	b	c	d	e	f
---	---	---	---	---	---