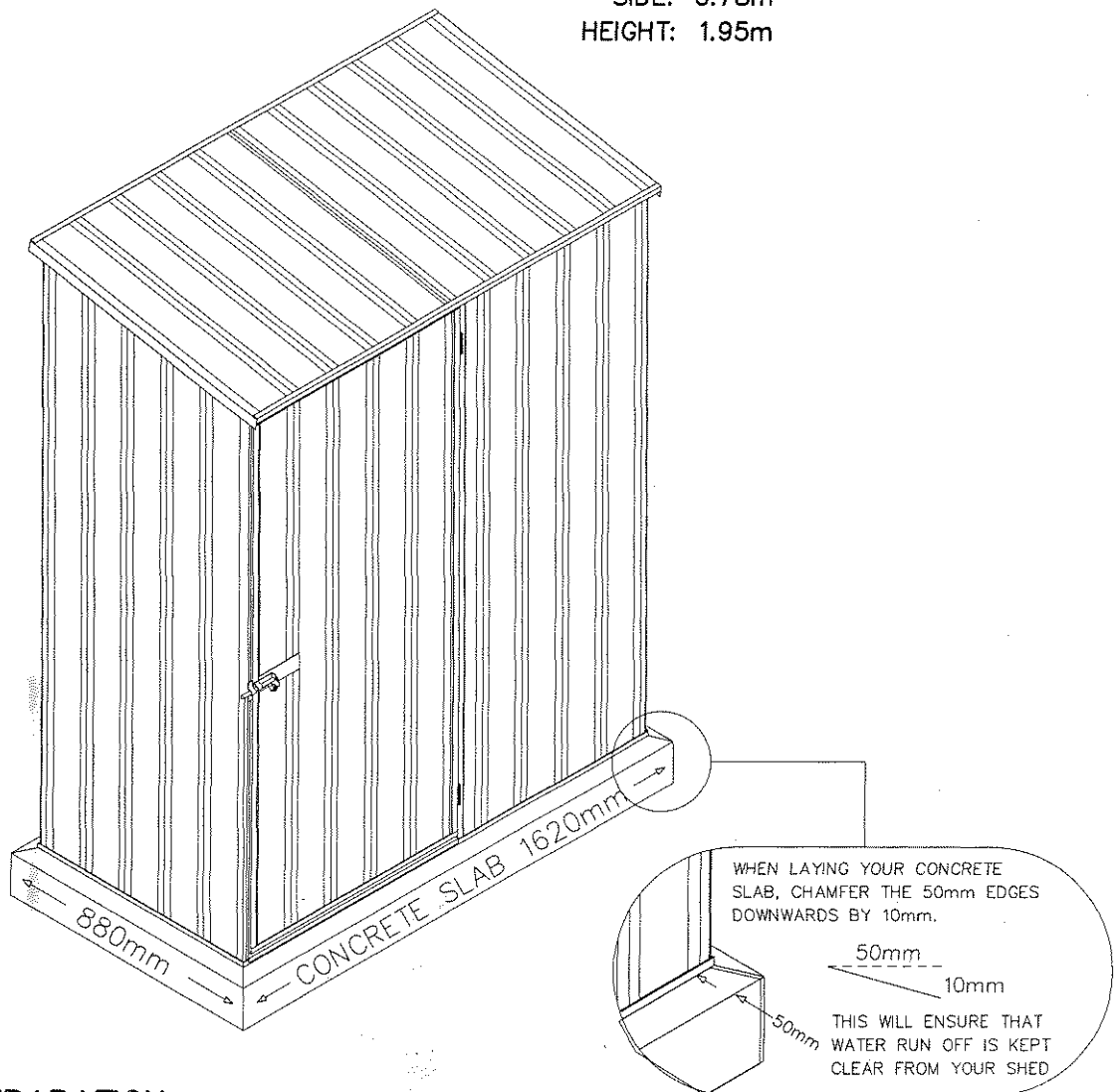


# ABSCO SNAP-TITE SPACE SAVER ASSEMBLY INSTRUCTIONS

MODEL – 15081S

FRONT: 1.52m  
SIDE: 0.78m  
HEIGHT: 1.95m



## SITE PREPARATION

- THE SITE FOR THE SHED MUST BE LEVEL. IT IS RECOMMENDED THAT THE SHED BE SET ON A CONCRETE SLAB AND ANCHORED DOWN APPROPRIATELY. (REFER PAGE 10 FOR DETAILS)
- ANCHOR SETS ARE NOT SUPPLIED AS STANDARD ITEMS WITH THIS PRODUCT.

## GENERAL INSTRUCTIONS

- BEFORE COMMENCING ANY ASSEMBLY, READ THROUGH THESE INSTRUCTIONS IN DETAIL TO GAIN A THOROUGH UNDERSTANDING OF ASSEMBLY METHODS AND ASSOCIATED DETAILS
- UNPACK THE CARTON AND CAREFULLY IDENTIFY AND CHECK OFF ALL THE PARTS AGAINST THE PARTS DESCRIBED AND ILLUSTRATED ON PAGES TWO AND THREE

## CAUTION

- SOME PARTS MAY HAVE SHARP EDGES. IT IS ADVISABLE TO WEAR GLOVES WHEN HANDLING THESE ITEMS AND SAFETY GLASSES IF DRILLING HOLES
- DO NOT ERECT YOUR SHED IN WINDY CONDITIONS, AND ENSURE THAT THE SHED IS SECURELY ANCHORED TO A SOLID FOUNDATION IMMEDIATELY AFTER CONSTRUCTION IS COMPLETED

SNAPTITE PACKING LIST	SPACE SAVER <b>15081S</b> SINGLE DOOR SHED	<b>SPACE SAVER</b>
-----------------------------	--	------------------------

COMPONENT	QTY	LENGTH	PRE-PUNCH	NOTCH	PART No	PACKED	COMPONENT LOCATION
SHEET	2	1915	✓	-	43B		REAR WALL CORNERS
SHEET	1	1915 L/H	✓	-	X4L		SIDE WALL
SHEET	1	1915 R/H	✓	-	X2R		SIDE WALL
SHEET	2	865	✓	-	43D		SPACE SAVER ROOF SHEETS
SHEET D/N	1	1785	✓	-	34A		FRONT WALL CORNER (711 WIDE SHEET)
SHEET	1	1725	✓	-	-		DOOR PANEL TYPE 'B' (SINGLE DOOR SHEET)
PKT. FITTINGS	1	-	-	-	-		ALL FITTINGS & ACCESSORIES (SEE BELOW)

BATCH  
6  
SHEETS

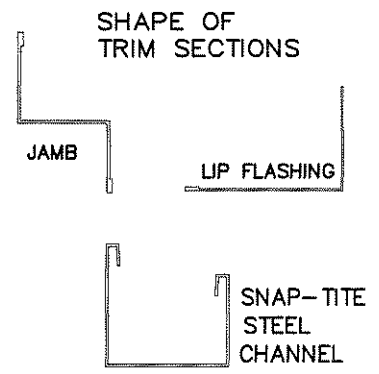
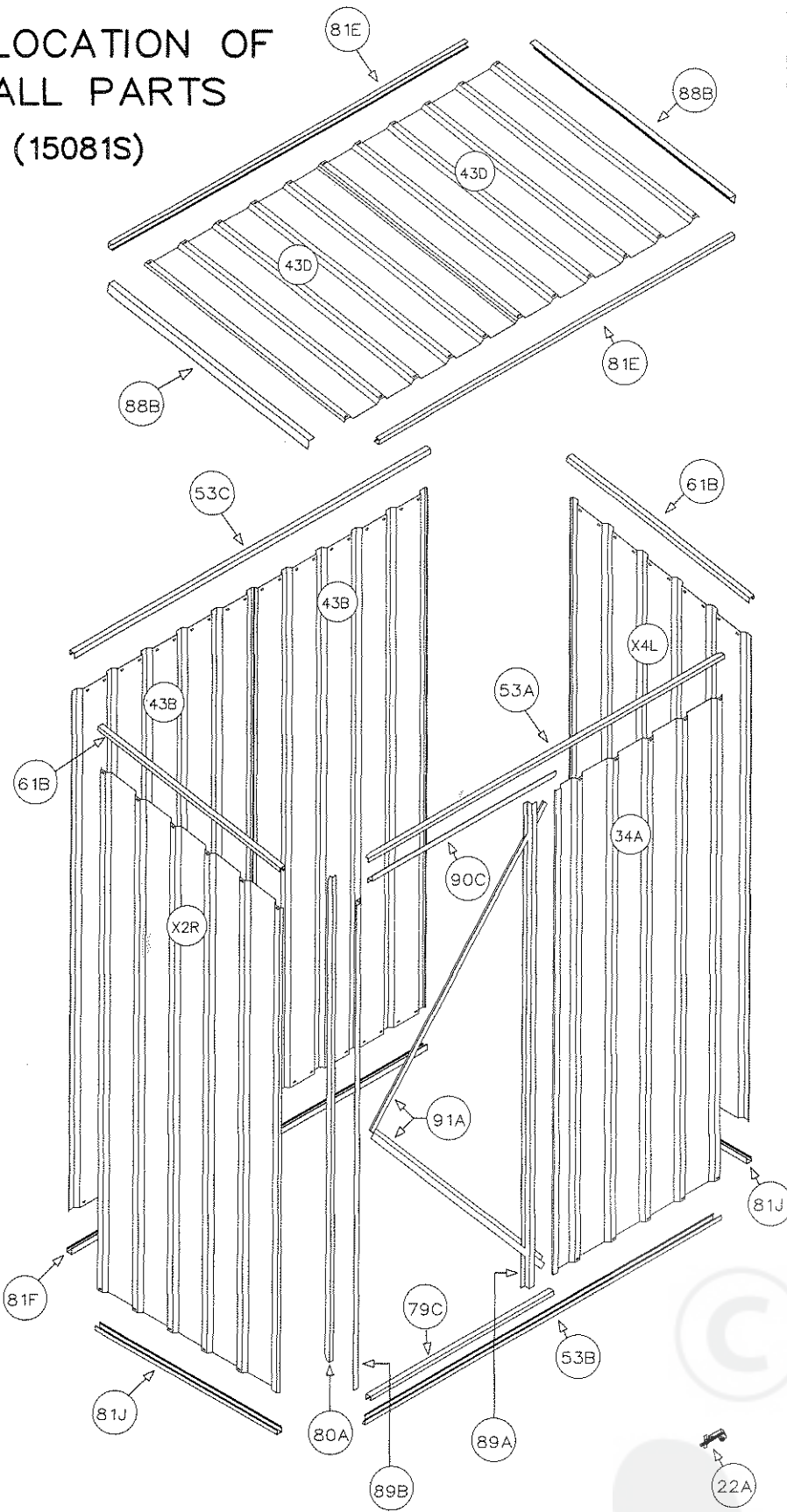
CHANNEL	1	1513	✓	✓	53A		FRONT WALL TOP
CHANNEL	1	1513	✓	✓	53B		FRONT WALL BASE
CHANNEL	1	1513	✓	✓	53C		REAR WALL TOP
CHANNEL	1	1513	-	✓	81F		REAR WALL BASE
CHANNEL	2	1513	-	-	81E		ROOF PERIMETER
CHANNEL	1	1785	✓	✓	80A		DOOR MULLION
CHANNEL	2	786	✓	-	61B		SIDE WALL TOP
CHANNEL	2	773	-	-	81J		SIDE WALL BASE
CHANNEL	1	783	✓	-	79C		INVERT BELOW DOOR
CHANNEL	1	1725	✓	-	-		DOOR TRIM SIDE CHANNEL
CHANNEL	2	773	✓	-	58C		DOOR TRIM TOP/BOTTOM CHANNEL
JAMB	1	1785	✓	✓	89A		DOOR FRAME-HINGED SIDE
JAMB	1	1785	✓	✓	89B		DOOR FRAME-PADBOLT SIDE
JAMB	1	783	✓	✓	90C		FRONT WALL ABOVE DOOR
JAMB	2	1120	✓	-	91A		DIAGONAL DOOR BRACES
LIP	2	865	✓	-	88B		ROOF SIDE FLASHING
CHANNEL	1	1725	✓	-	-		DOOR TRIM SIDE CHANNEL WITH HINGES FITTED

BATCH  
15  
CHANNELS

**PACKET OF FITTINGS CONTENTS**

- |                                |                                |
|--------------------------------|--------------------------------|
| 120 SELF TAPPING SCREWS (10mm) | 1 HASP                         |
| 6 SELF TAPPING SCREWS (20mm)   | 6 POP RIVETS                   |
| 6 CSK. SCREWS & NUTS           | 1 SET OF ASSEMBLY INSTRUCTIONS |
| 1 PADBOLT                      | 1 DOOR PLATE 12A               |

# LOCATION OF ALL PARTS (15081S)

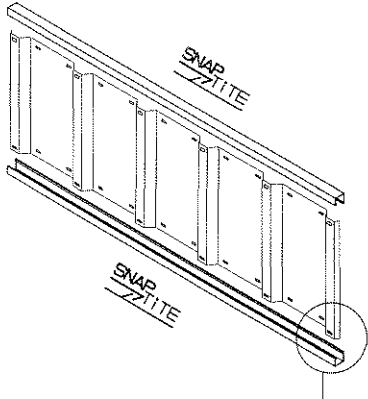


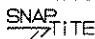
THE PART NUMBERS SHOWN ABOVE, ARE ILLUSTRATED WHERE REQUIRED THROUGHOUT THIS ASSEMBLY INSTRUCTION, TO ASSIST WITH IDENTIFYING COMPONENTS AND THEIR INTENDED LOCATION.

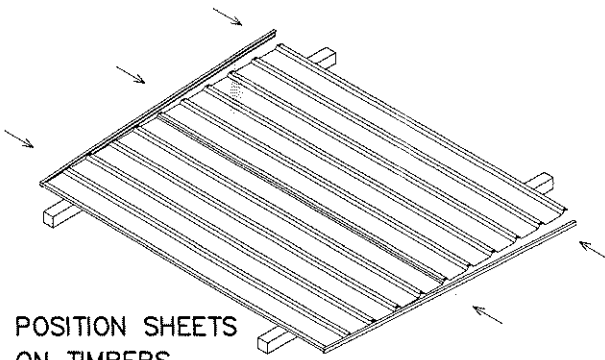
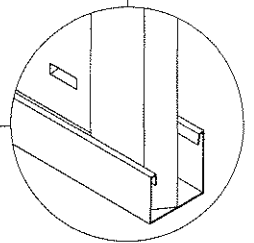
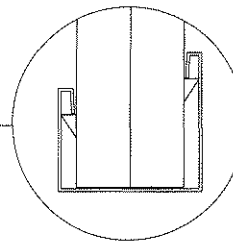
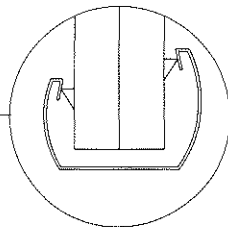
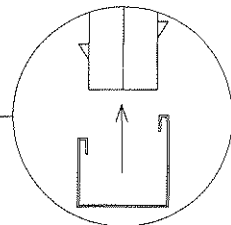
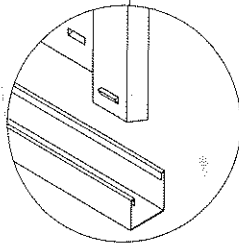
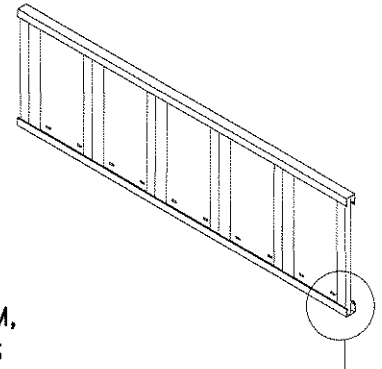
SOME COMPONENTS, ALTHOUGH GIVEN A PART NUMBER ABOVE, **HAVE NOT** BEEN MARKED WITH A PART NUMBER. THESE COMPONENTS, MAINLY ROOF AND DOOR COMPONENTS, CAN BE IDENTIFIED BY THEIR DESCRIPTION, SIZE AND ILLUSTRATION AS DETAILED IN THIS ASSEMBLY INSTRUCTION.

# ABSCO ASSEMBLY INTRODUCTION

YOUR NEW ABSCO GARDEN SHED INCORPORATES THE LATEST ABSCO SNAP-TITE ASSEMBLY SYSTEM, WHICH LOCKS ALL PERIMETER CHANNELS TO ALL ROOF AND WALL SHEETS WITHOUT THE NEED FOR TOOLS AND FASTENERS. MOST OTHER CONNECTION POINTS HAVE BEEN PRE-PUNCHED TO FURTHER MAXIMISE EASE OF ASSEMBLY.

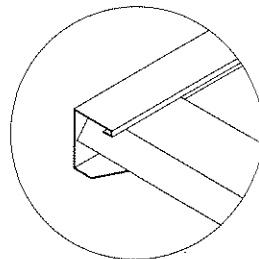


TO PRE-ASSEMBLE THE FOUR WALL PANELS AND TWO ROOF PANELS, THE PERIMETER CHANNELS ARE SECURED TO THE TOP AND BOTTOM OF EACH PANEL USING THE SNAPTITE FASTENING SYSTEM, AS DETAILED ON THE FOLLOWING PAGES WHEREVER YOU SEE THE  SYMBOL.



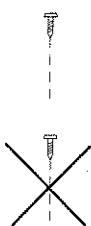
POSITION SHEETS ON TIMBERS, TRESTLES OR PARTLY OVER EDGE OF CONCRETE SLAB.

AFTER JOINING SHEETS TOGETHER, POSITION THE CORRECT PERIMETER CHANNEL TO ONE END OF THE SHEETS, GENTLY TAPPING IT OVER THE SNAP-TITE LUGS, WORKING ALONG THE SHEETS UNTIL YOU REACH THE OTHER END. THE CHANNEL CAN BE TAPPED OVER THE LUGS USING YOUR HANDS, OR A SOFT PIECE OF WOOD OR A RUBBER Mallet. DOUBLE CHECK TO ENSURE THAT EVERY SNAP-TITE LUG IS LOCKED INTO THE CHANNEL.



EACH PERIMETER CHANNEL MUST FINISH FLUSH WITH THE EDGES OF THE SHEETS. THE SNAP-TITE SYSTEM ALLOWS ADJUSTMENT FOR THIS PROCESS BY SIMPLY TAPPING THE CHANNEL ALONG THE SHEETS UNTIL EACH END IS NEATLY FLUSH.

## FASTENING SYMBOLS



JOIN COMPONENTS TOGETHER WITH ONE SCREW AT THIS LOCATION ONLY, AS SOME CHANNEL SECTIONS HAVE EXTRA HOLES THAT ARE NOT REQUIRED FOR THIS MODEL OF GARDEN SHED



DO NOT JOIN COMPONENTS TOGETHER AT THIS LOCATION YET, AS THE SCREW MAY OBSTRUCT FURTHER ASSEMBLY OF OTHER COMPONENTS



3mm POP RIVETS



4mm NUT & BOLT SET

# DOOR PANEL ASSEMBLY

USE PANELS "A + B" FOR  
DOUBLE DOOR OPENINGS

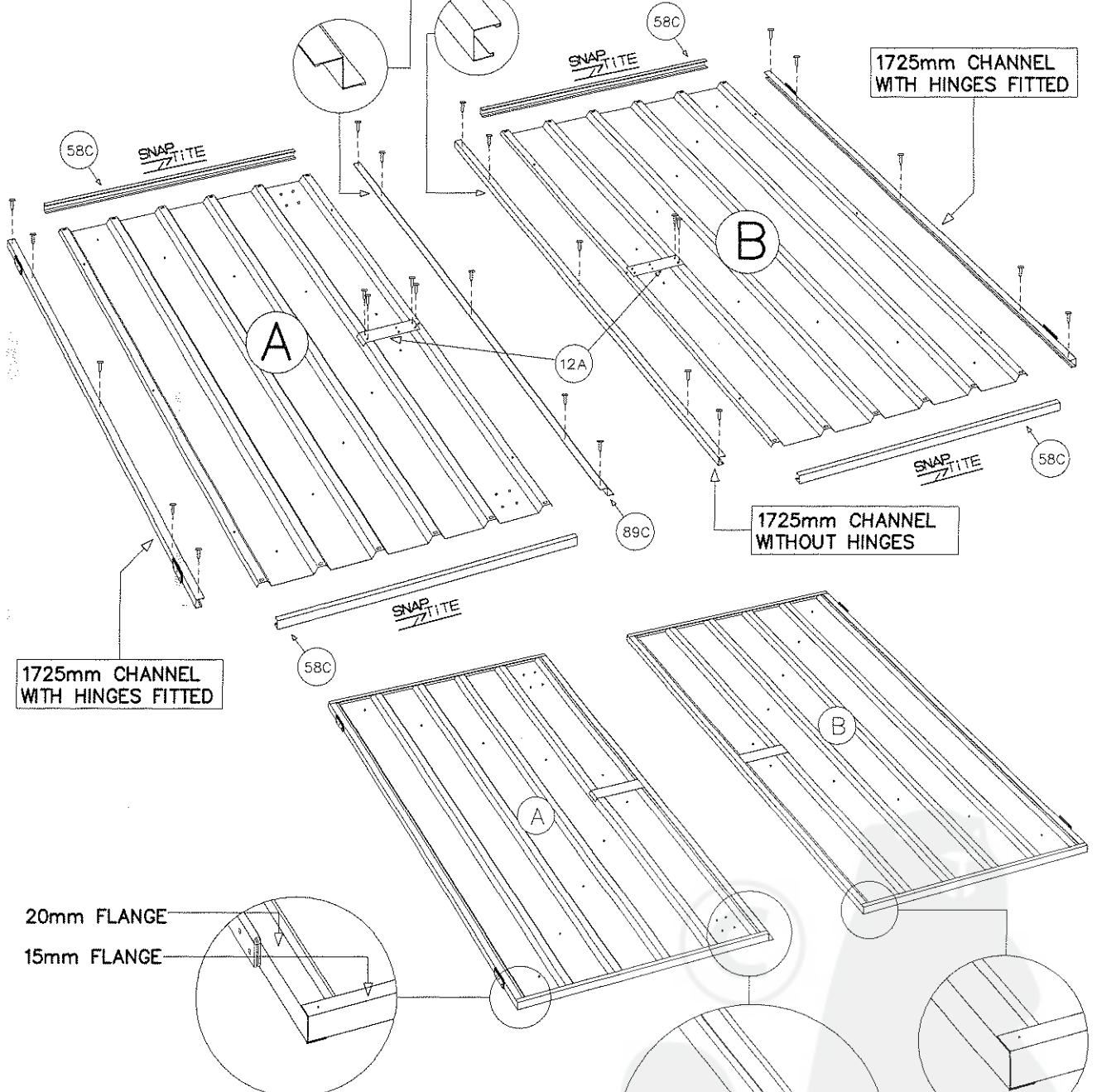
USE PANEL TYPE "B"  
FOR SINGLE DOOR OPENINGS

## DOOR PANEL TYPE 'A' COMPONENTS

- 1 - 1725mm X 773mm PRE-PUNCHED SHEET
- 1 - 1725mm CHANNEL WITH HINGES FITTED
- 1 - 1725mm JAMB (89C)
- 2 - 773mm CHANNELS (58C)
- 1 - DOOR PLATE (12A)

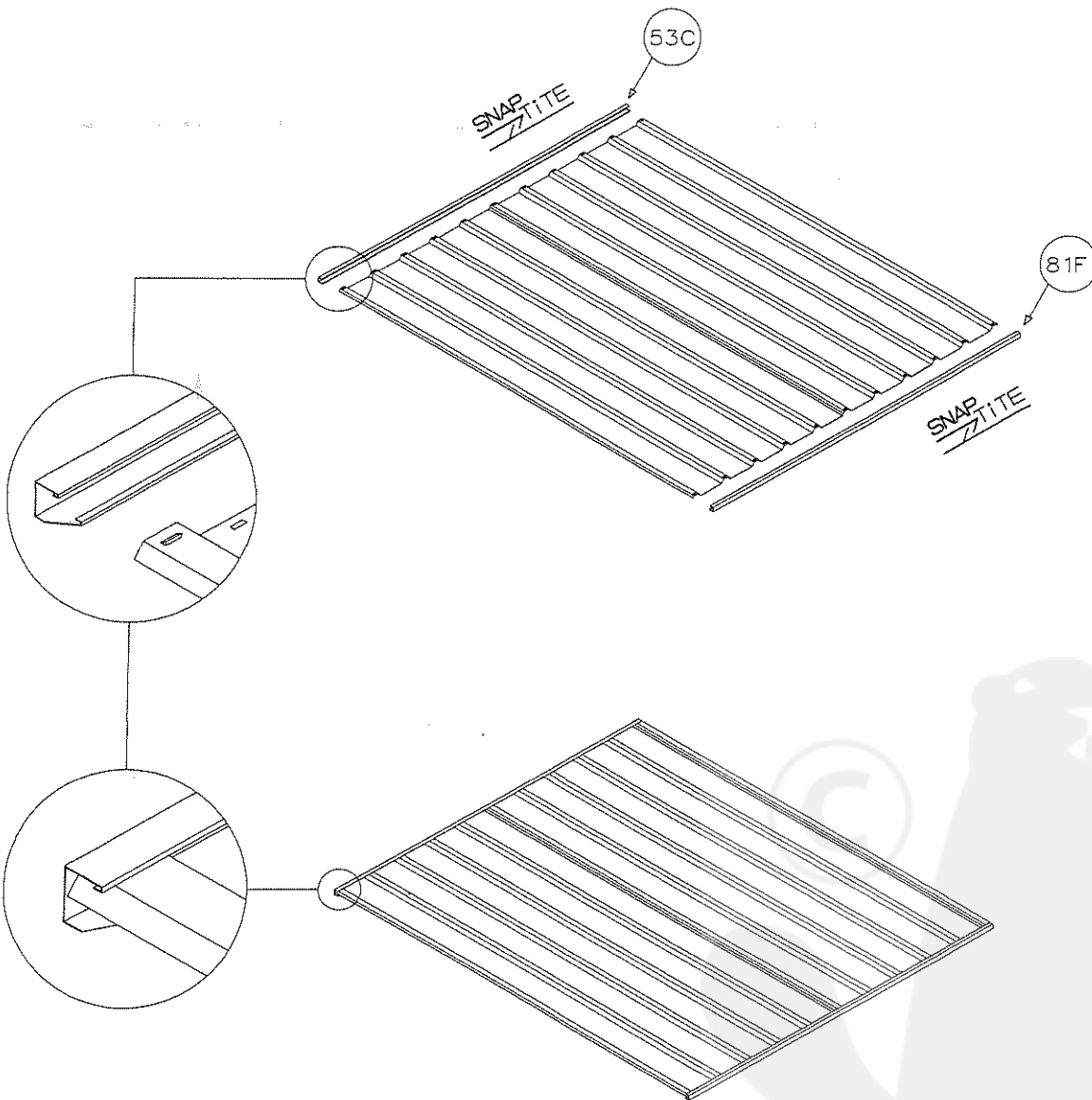
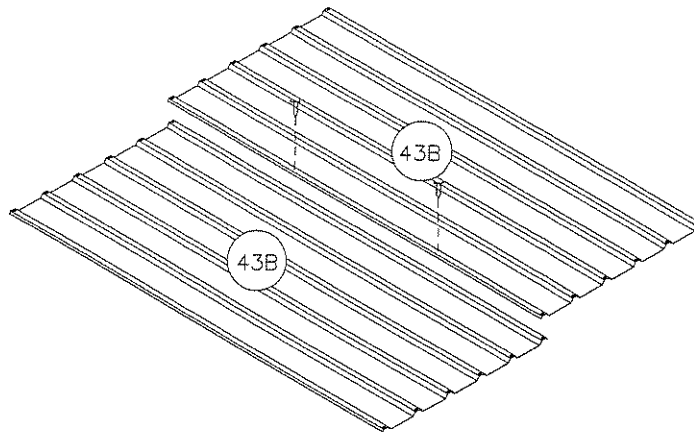
## DOOR PANEL TYPE 'B' COMPONENTS

- 1 - 1725mm X 773mm PRE-PUNCHED SHEET
- 1 - 1725mm CHANNEL WITH HINGES FITTED
- 1 - 1725mm CHANNEL WITHOUT HINGES
- 2 - 773mm CHANNELS (58C)
- 1 - DOOR PLATE (12A)

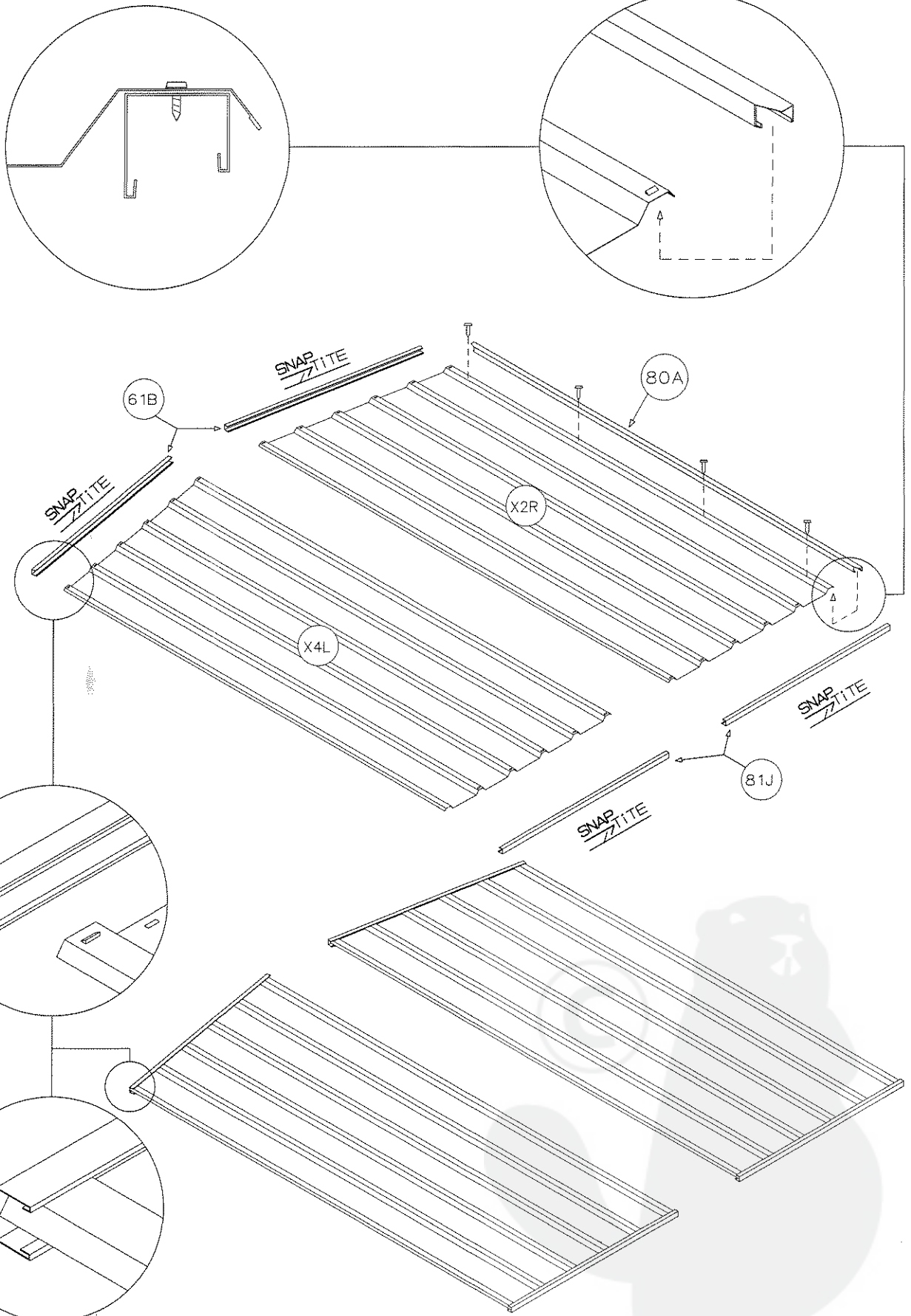


NOTE: THE ABOVE COMPONENTS HAVE NOT BEEN MARKED WITH PART NUMBERS SO AS NOT TO SPOIL THE APPEARANCE OF THE FRONT OF THE SHED. THESE COMPONENTS CAN BE EASILY IDENTIFIED BY CHECKING THE LENGTH OF EACH COMPONENT TO THE SIZES NOTED.

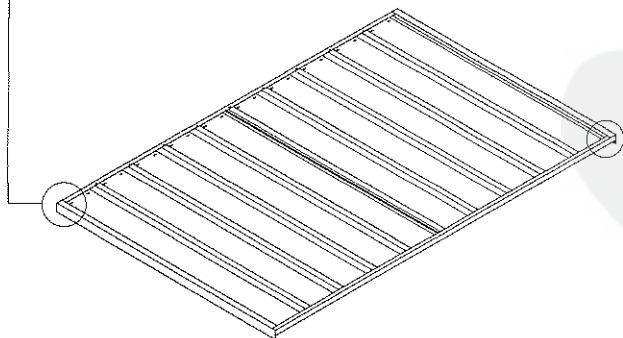
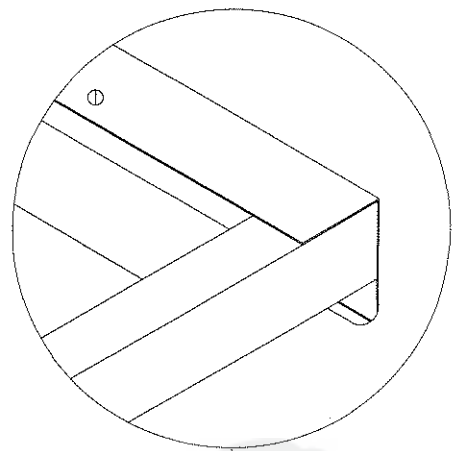
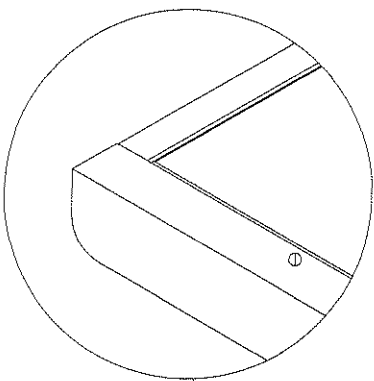
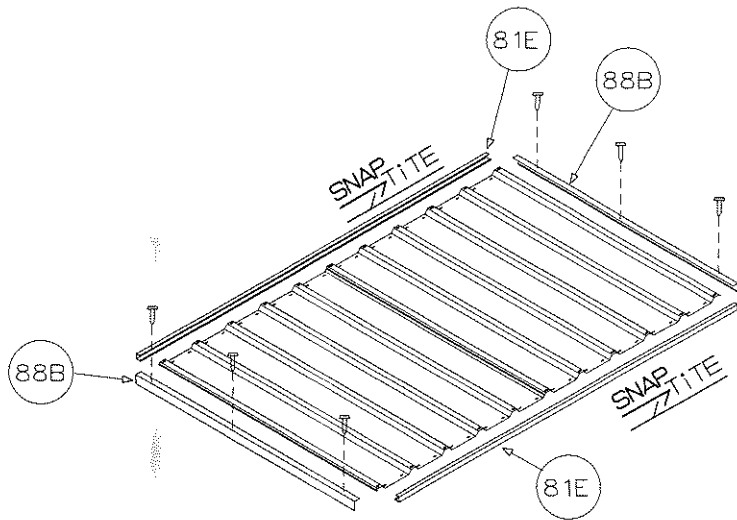
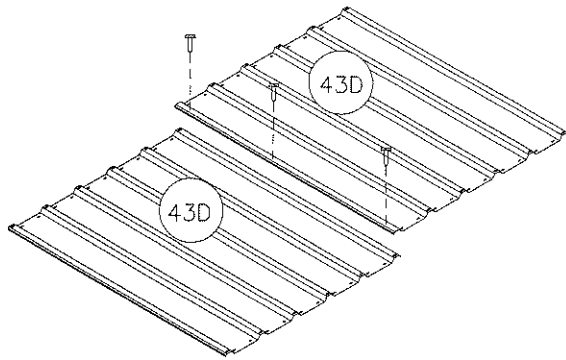
# REAR PANEL ASSEMBLY



# SIDE PANEL ASSEMBLY (TWO REQUIRED)

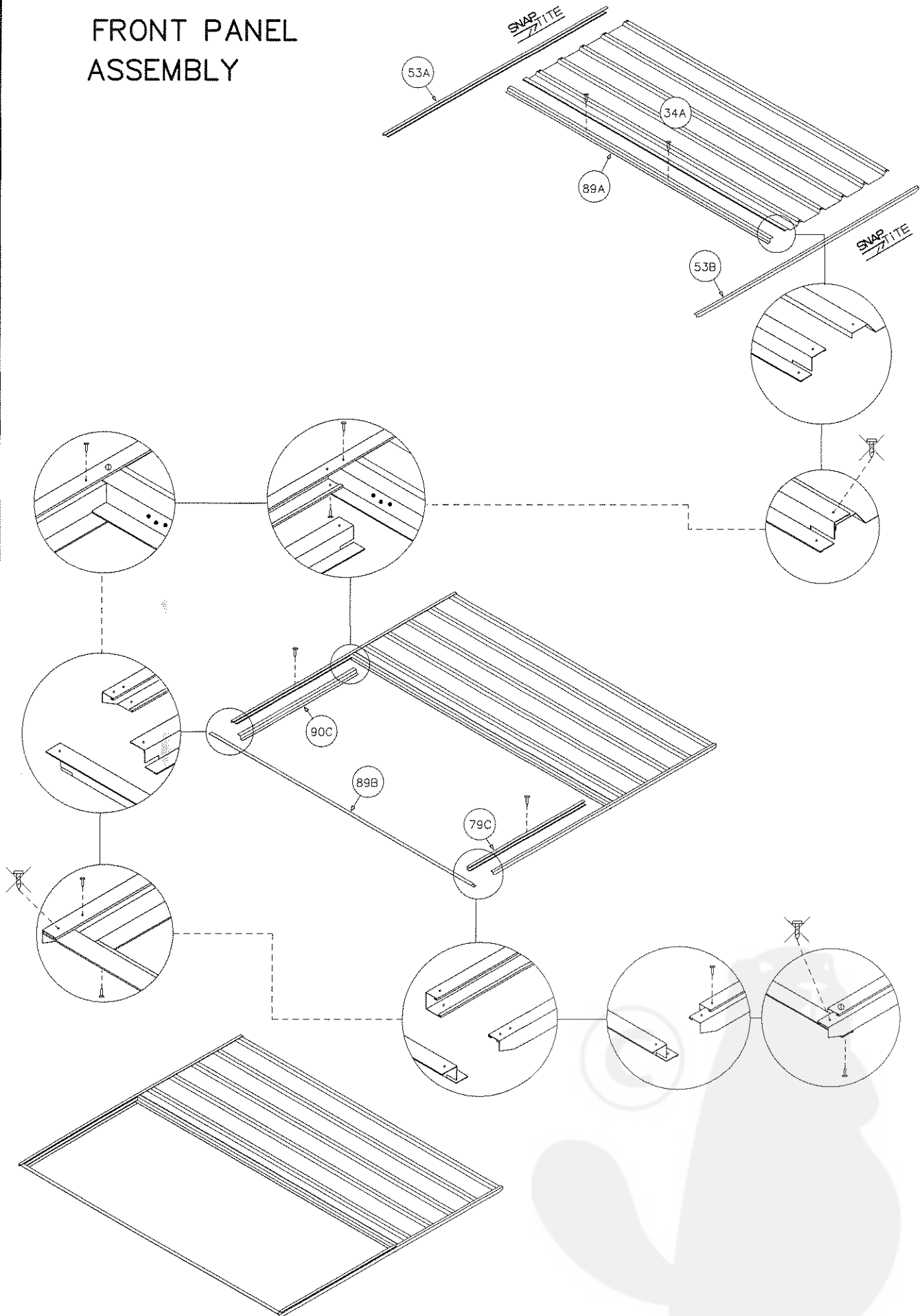


# ROOF PANEL ASSEMBLY

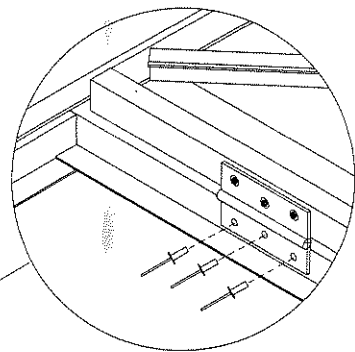
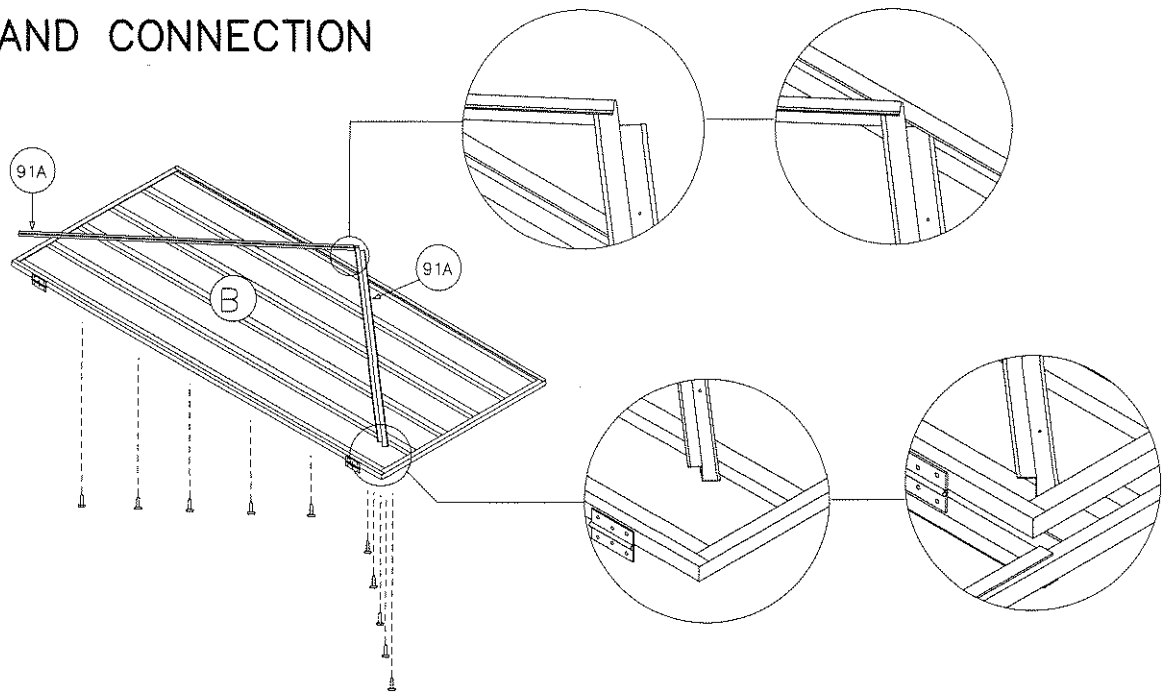




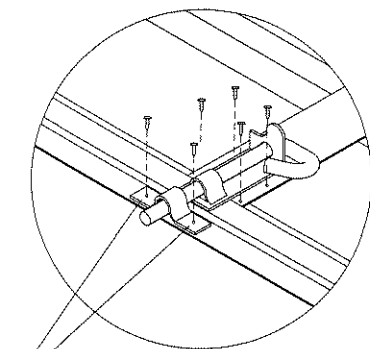
# FRONT PANEL ASSEMBLY



# DOOR ASSEMBLY AND CONNECTION

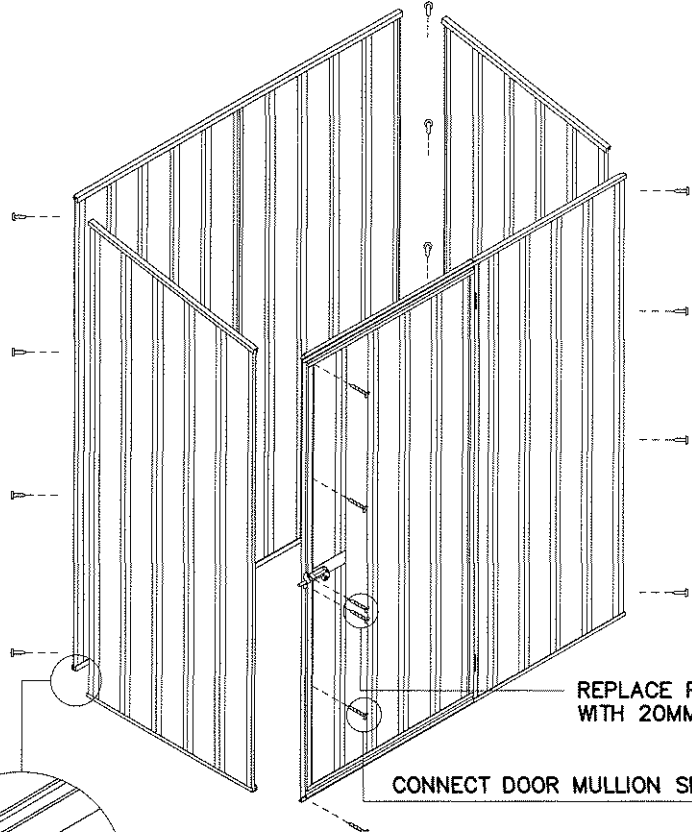


NOTE: NUTS AND BOLTS (SUPPLIED) MAY BE USED IN LIEU OF POP RIVETS (SUPPLIED) BY SIMPLY ENLARGING THE HINGE HOLE SETS IN THE JAMB USING A 4mm DRILL BIT



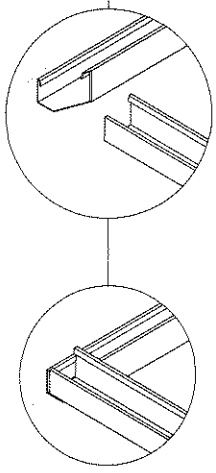
NOTE: THE TWO HOLES REQUIRED TO CONNECT THE PADBOLT HASP TO THE DOOR JAMB HAVE NOT BEEN PRE-PUNCHED, TO ALLOW FOR PROPER ALIGNMENT. POSITION THE HASP CENTRALLY OVER THE PADBOLT SHAFT, AND DRILL 3mm HOLES AND SECURE WITH SCREWS.

# PANEL CONSTRUCTION

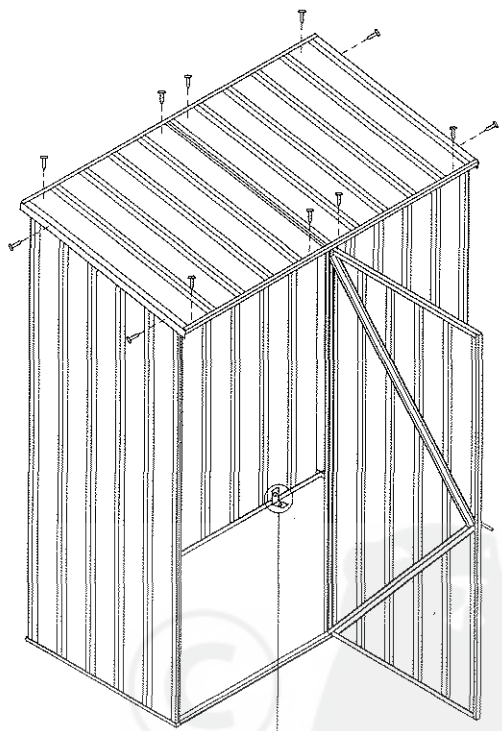


REPLACE PADBOLT HASP 10mm SCREWS WITH 20MM SCREWS

CONNECT DOOR MULLION SECTIONS WITH SIX 20mm SCREWS

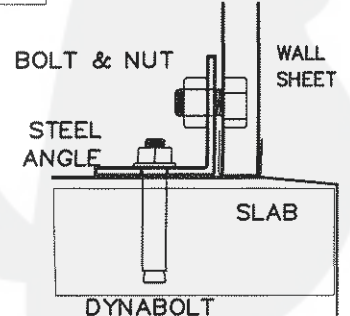


SIDE WALL PANEL CHANNELS FIT INTO THE NOTCHED FRONT AND REAR WALL PANEL CHANNELS



## ANCHORING OF SHED

ANCHORS CONSISTING OF STEEL ANGLE, DYNABOLT, AND NUT AND BOLT ARE AVAILABLE FROM YOUR ABSCO STOCKIST. THIS IS THE RECOMMENDED METHOD OF FIXING YOUR SHED TO A CONCRETE SLAB.





ABSCO SHEDS ARE WARRANTED FOR A PERIOD OF 10 YEARS FROM THE DATE OF PURCHASE AS FOLLOWS:

1. ZINCALUME® AND GALVANISED PANEL MATERIALS WILL NOT RUST
2. COLOURED PANEL MATERIALS WILL NOT RUST, CHECK, CRACK, FLAKE, PEEL OR BLISTER

THIS WARRANTY IS SUBJECT TO THE FOLLOWING QUALIFICATIONS AND LIMITATIONS:

1. THE WARRANTY CERTIFICATE MUST BE COMPLETED AND RETURNED TO ABSCO WITHIN 21 DAYS OF PURCHASE
2. WARRANTY ONLY APPLIES IF SHED IS USED SOLELY AS A DOMESTIC SHED AND IS INSTALLED IN ACCORDANCE WITH THE OWNERS MANUAL
3. WARRANTY DOES NOT APPLY IF SHED IS INSTALLED IN OCEAN SURF LOCATIONS OR SEVERE INDUSTRIAL OR UNUSUALLY CORROSIVE ENVIRONMENTS.
4. WARRANTY IS FOR THE BENEFIT OF THE ORIGINAL PURCHASER AND IS NOT TRANSFERABLE
5. WARRANTY DOES NOT COVER FASTENERS
6. WARRANTY APPLIES TO THE EXCLUSION OF ALL OTHER REPRESENTATIONS, GUARANTEES OR WARRANTIES, EXPRESS OR IMPLIED, UNLESS OTHERWISE REQUIRED BY APPLICABLE LEGISLATION

DATE OF PURCHASE \_\_\_\_\_



## WARRANTY CERTIFICATE

(DETACH, COMPLETE AND MAIL WITHIN 21 DAYS OF PURCHASE)

ABSCO INDUSTRIES, PO Box 6305, ACACIA RIDGE, QLD. 4110

NAME: .....

ADDRESS: .....

PRODUCT & SIZE: .....

DATE OF PURCHASE: .....

STORE NAME & LOCATION: .....

I USE MY ABSCO PRODUCT PRIMARILY FOR (CIRCLE ONE)

- |         |             |                  |
|---------|-------------|------------------|
| STORAGE | WORKSHOP    | POOL CHANGE ROOM |
| AVIARY  | CUBBY HOUSE | CARPORT          |
| GARAGE  | OTHER ..... |                  |

I CHOSE AN ABSCO PRODUCT OVER THE OTHERS BECAUSE OF (GRADE 1 TO 8 IN ORDER OF IMPORTANCE):

- |                           |                              |
|---------------------------|------------------------------|
| ..... BETTER APPEARANCE   | ..... BEST SIZE FOR MY NEEDS |
| ..... ENGINEERED STRENGTH | ..... ZINCALUME® CLADDING    |
| ..... BETTER PRICE        | ..... COLORBOND® CLADDING    |
| ..... 10 YEAR WARRANTY    | ..... EASE OF ASSEMBLY       |
| ..... OTHER .....         |                              |

(PLEASE EXPLAIN)