

# Precision

## DS1000D & DS1000DGY Drop Spreader

### INSTRUCTIONS & Parts List

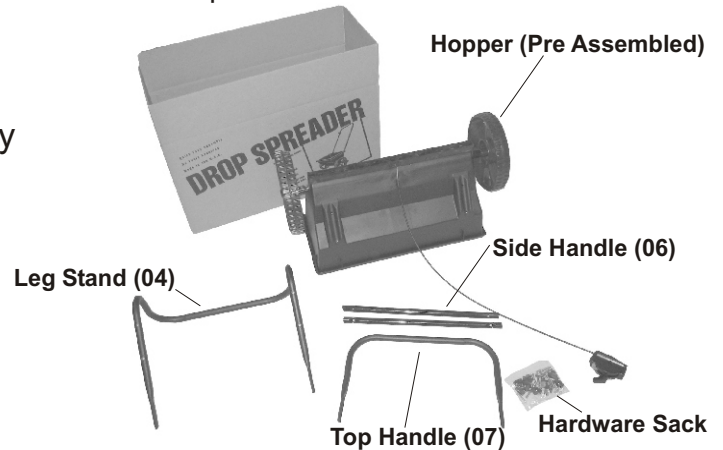
In order to assure that the assembly of your spreader goes smoothly, please review all of the steps before proceeding. **TIP:** Loosely tighten all bolts until assembly is complete, then completely tighten.

**Note:** You may have extra hardware when assembly is complete.

**NOTE:** Wheel may vary from pictures

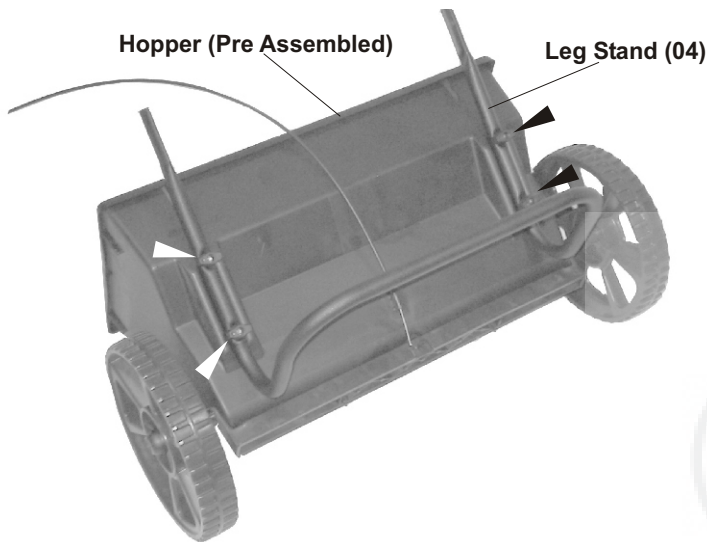
#### STEP 1 - BEGIN HERE

Lay out all of the parts shown below. If any are missing, please turn this sheet over and contact us with the information provided.



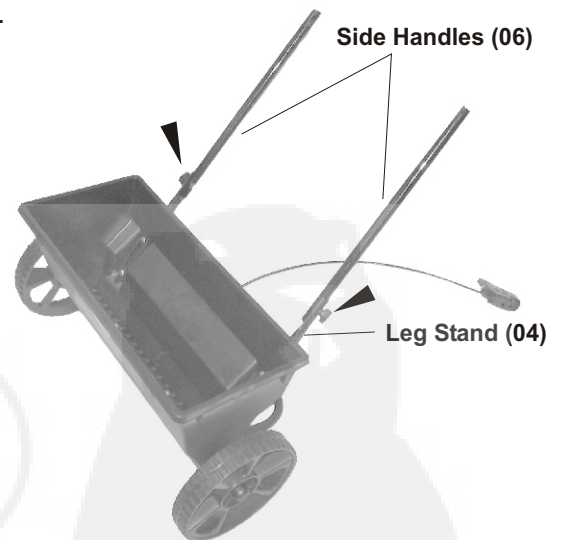
#### STEP 2 - Attach the Leg Stand

Hand tighten the **Leg Stand (04)** to the Hopper using four **1-1/4" Carriage Bolts (10)** and **1/4" Wing Nuts (12)** at the four locations shown below.



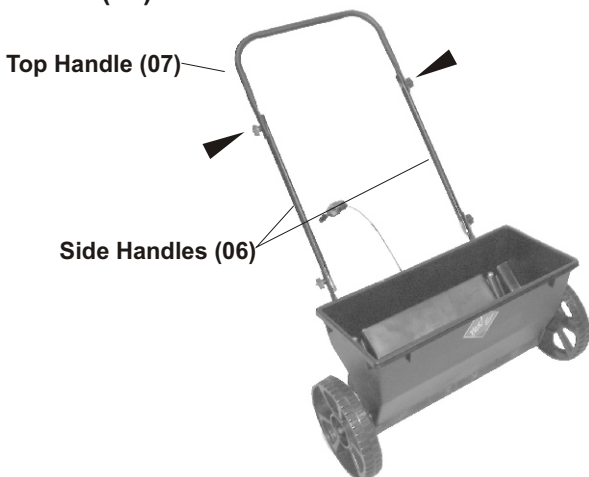
#### STEP 3 - Attach the Side Handles

Hand tighten the **Side Handles (06)** to the **Leg Stand (04)** using two **1-3/4" Carriage Bolts (11)** and **1/4" Wing Nuts (12)** at the two locations shown below.



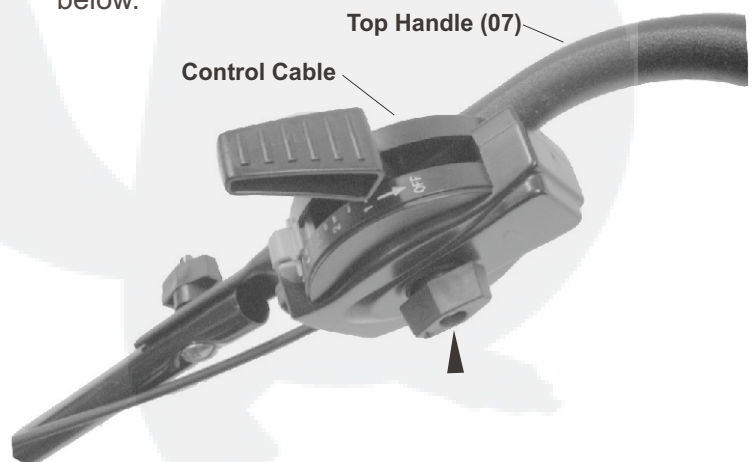
#### STEP 4 - Attach the Top Handle

Hand tighten the **Top Handle (07)** to the **Side Handles (06)** using two **1-3/4" Carriage Bolts (11)** and **1/4" Wing Nuts (12)** at the two locations shown below.



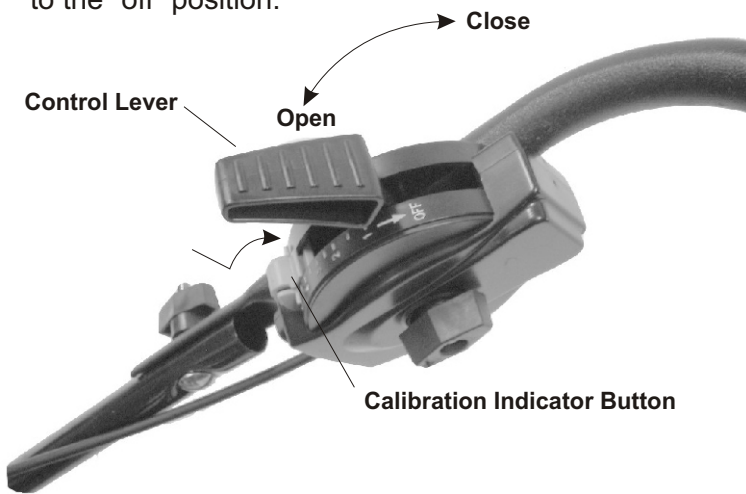
#### STEP 5 - Attach the Control Cable

Attach the **Control Cable** mechanism to the **Top Handle (07)** using a **2-1/4" Carriage Bolt (16)** and a **1/4" Wing Nut (12)** at the location shown below.



## Using Your Spreader

Settings are made by pressing down on the **Calibration Indicator Button** and sliding it to the desired setting. Push the **Control Lever** to the button to begin spreading. To stop fertilizer distribution, pull the **Control Lever** back to the "off" position.



### CAUTION:

CARE MUST BE TAKEN WITH ANY WEED KILLER, PESTICIDE, OR COMBINATION PRODUCT. ALWAYS FOLLOW ALL DIRECTIONS PRINTED ON THE MATERIAL PACKAGING.

### MAINTENANCE INSTRUCTIONS

AFTER EACH USE: Wash unit thoroughly let dry. Lubricate moving parts, including flow bar, axle, and agitator.

## CUSTOMER SUPPORT

At Precision Products, Inc. Delivering quality, value and outstanding service is our goal. However, sometimes parts do become damaged or lost during transport from our facilities to the store. **If you have any problems, please do not return this merchandise to the store. Call us and we will take care of any problem you may have with this unit.** When ordering replacement parts, please have the model number, part description and part number readily available.

**Customer Support: (800) 225-5891 Ex.204**

General Office Number: (217) 735-1590

General Fax Number: (217) 735-2435

Mail: **Precision Products, Inc.**

Parts Division

316 Limit Street

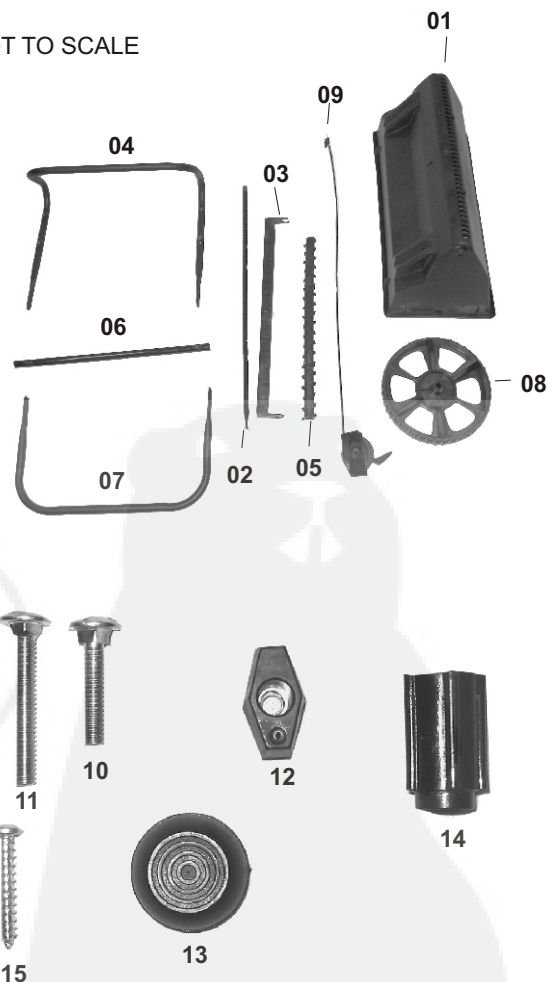
Lincoln, IL 62656

Visit us on the web at: [www.precisionprodinc.com](http://www.precisionprodinc.com)

## PARTS LIST

REF#	PART DESCRIPTION	PART #	QTY.
01	Hopper	2420	01
02	Axle (Black)	2421B	01
	Axle (Gray)	2421GY	
03	Flow Bar	2674	01
04	Leg Stand (Black)	2449B	01
	Leg Stand (Gray)	2449GY	
05	Agitator Blade Plastic	2403	01
06	Side Handle (Black)	1107B	02
	Side Handle Gray	1107GY	
07	Top Handle (Black)	1108B	01
	Top Handle (Black)	1108GY	
08	Wheel	1917	02
09	Control Cable Assembly	2442	01
10	1/4" x 1-1/4" Carriage Bolt	1407	04
11	1/4" x 1-3/4" Carriage Bolt	1408	04
12	1/4" Alan Nut	2828	09
13	1/2" Hubcap	1040	02
14	1-7/16" Split Spacer	2679	02
15	#10 x 1-1/4" Sheet Metal Screw	2405	02
16	1/4" x 2-1/4" Carriage Bolt	1868	01

PARTS NOT TO SCALE



## LIMITED WARRANTY

This unit is warranted against defects in materials and workmanship to the original purchaser, under normal use and service, for a period of ninety (90) days from date of sale. During the Warranty Period, we will repair or replace at our option free of charge to the original purchaser, any part of the Unit that our examination shows to be defective in workmanship or materials. This Warranty **Does Not** apply to damage caused by misuse, abuse, neglect, accident, normal wear, or alterations by unauthorized persons.