

Broadcast Spreader

SB4300RD

PLEASE DO NOT RETURN THIS MERCHANDISE TO THE STORE. CALL US AND WE WILL TAKE CARE OF ANY PROBLEM YOU MIGHT HAVE WITH THIS PRODUCT. PHONE: (800) 225-5891 ext.204

For Replacement Parts

PHONE: (217) 735-1590
FAX: (217) 735-2435

Please provide the following information:

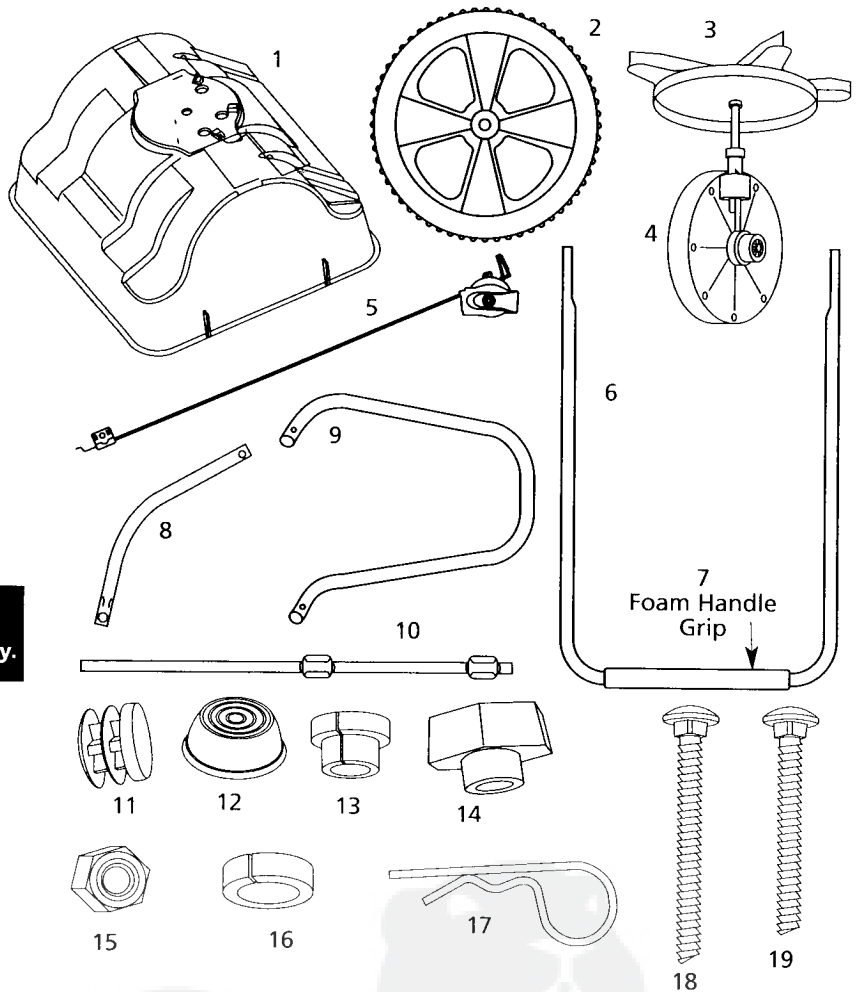
- Model Number
- Part description and number as shown in parts list

Address parts correspondence to:

Precision Products, Inc.
316 N. Limit Street
Lincoln, IL 62656

PARTS LIST FOR SB4300RD

Ref. No	Part No.	Description	Qty.
1	2565H	Hopper Green	1
2	2890	10" Wheel	2
3	2614	Spinner Disc	1
4	2889G	Gear Case Assemble	1
5	2441	Control Cable Assembly	1
6	2888	Handle (foam grip separate)	1
7	2554	Foam Handle Grip	1
8	2892	Hopper Support	2
9	2887	Leg Stand	1
10	2564	Axle 1/2" x 17"	1
11	1053	7/8" Tube Plug	2
12	1040R	1/2" Hubcap	2
13	1842	Split Bushing	2
14	2828	1/4" Plastic Wing Nut	3
15	1270	1/4" Hex Head Nut	4
16	1060	Split Spacer	2
17	1042	Agitator Clip	1
18	1868	1/4" x 2-1/4" Carriage Bolt	7



Step 1
Unfold Handle
and tighten Wing
Nuts

~~NOW USED #2546B CROSSBRACE~~

~~ALSO USED #6129~~

~~1/4 X 1 1/2 HEX HEAD BOLT~~



For Storage

Loosen Wing Nuts and fold Handle under Legstand

TIP: Many of these hardware parts can be purchased at your local hardware store.

LIMITED WARRANTY

This unit is warranted against defects in materials and workmanship to the original purchaser, under normal use and service, for a period of ninety (90) days from date of sale.

During the Warranty Period, we will repair or replace at our option free of charge to the original purchaser, any part of the unit that our examination shows to be defective in workmanship or materials.

This Warranty does not apply to damage in transit or damage caused by misuse, abuse, neglect, normal wear, or alterations by unauthorized persons.

Using your spreader:

Settings are made by pressing down on the Calibration Indicator button and setting to desired number on the Control Cable Assembly (See photo right).

TO OPEN: Push the Control Lever forward until it stops against this button.

TO CLOSE: Pull the Control Lever fully back toward Operator.

See Application chart for setting information.

warning:

Setting numbers are 1-10. Make sure any application chart settings used are for a 1-10 control unit, **NOT** 1-20 or any other.

MAINTENANCE INSTRUCTIONS:

AFTER EACH USE: Wash unit thoroughly and let dry. Lubricate moving parts, including slide plate and agitator pin.

CAUTION: Care must be taken with any weed killer, pesticide or combination product. They can be harmful to other plant life in the yard.

Tips for Using the SB4300RD

- Always follow directions indicated on this instruction sheet.
- Never apply a lawn care product by hand.
- Walk at a steady pace to ensure even application throughout the lawn. The faster you walk, the thinner the coverage.
- To avoid gaps and streaks, first spread border of lawn and then fill in center with uniform, parallel passes.
- For best results, apply in two passes, using a crisscross pattern and 1/2 of setting number given below.
- All fertilizers should be watered in after application.
- In case of accidental over application, increase watering.

Application Chart

General Instructions for properly setting your Vigoro.

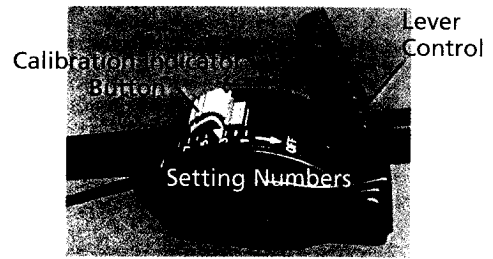
1. Use the Charts below for most applications by figuring lbs. per 1000 sq. ft.
2. These numbers are for one pass application, walking quickly.
3. A two pass application is recommended, using a criss cross pattern. Use 1/2 of setting number given.
4. There are too many variables involved with setting any spreader, to perfectly grade the settings. Differences will exist between fertilizers, even if they are the same brand and type.
5. If you think too much is being applied, cut down your setting. The antidote for too much fertilizer is water.
6. Close Spreader at the end of each pass, Open again at the start of next pass.
7. Gravity and motion are the critical forces influencing the Spreader. The faster you walk, the thinner the coverage.

The Following Settings Can Be Used To apply Products Not Found In The Application Chart

Fertilizer	Setting
Pounds Per 1000 sq. ft.	Broadcast
2.5	4
3	5
3.6	5.5
4	6
Insecticide	Setting
(Diazinon)	Broadcast
2	3.5

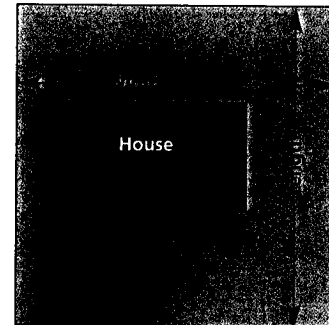
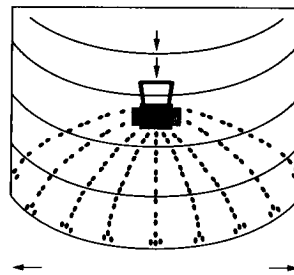
The Following Settings Can Be Used To apply Products Not Found In The Application Chart

Grass Seed	Setting
Broadcast	
Blue Grass	3
Bent Grass	3
Fine Mixture	10
Coarse Seed (Rye, Fescue)	
Bermuda)	10



- Multiply the length of your lawn by it's width. This equals the total square footage of your lawn.
- Deduct the square footage of any areas you will not be treating (house, garden, driveways, flower beds, etc.) The difference is the coverage for your lawn.

$$\begin{aligned} & \text{_____ Length} \\ \times & \text{_____ Width} \\ = & \text{_____ Total sq. ft.} \\ - & \text{_____ Non-lawn areas} \\ = & \text{_____ Total sq. ft. coverage} \\ & \text{to be treated} \end{aligned}$$



Brand	Broadcast	Lbs. per 1000 Sq.Ft.
-------	-----------	----------------------

All Season, Farmers Seed & Nursery, Howard Johnsons, Atwoods, Gold Kist, Lawn Groom, Bachman Nursery, Grand Prize, Loveland Lawns, Barzen Seed, Gravinas Nursery, Nursery Pro, Green Charm, Quality Farm & Fleet, Coast to Coast, Green Spot, Shur Green, Colonial Garden, Greenbrier, Super America, Duckwall - Alco, Gurneys, Supreme Brand, Farm and Home, Hardware Hank, Surety

10-6-4 Weed Feed	4.25	4 lb/1000 sq. ft.
18-22-6 Starter Winterizer	3.75	3 lb/1000 sq. ft.
20-10-5 Turf Food	4.25	4 lb/1000 sq. ft.
22-3-11 Crabgrass Preventer Plus	4.25	4 lb/1000 sq. ft.
25-3-3 Weed 7 Feed 2/Triamine	4.25	4 lb/1000 sq. ft.
26-3-3 Turf Food	4.25	4 lb/1000 sq. ft.

Agway

Crabgrass Killer w/Tupersan	2	2 lb/1000 sq. ft.
Lawn Insect Control w/Diazinon	2	
26-2-10 Grassroots Lawn Fertilizer	3.5	3.3 lb/1000 sq. ft.
27-2-11 Grassroots Lawn Fertilizer	3.25	3 lb/1000 sq. ft.
21-7-14 Arbor Grow Tree & Shrub Fertilizer	3.75	7.2 lb/1000 sq. ft.
10-6-4 Turf Food	3.25	4 lb/1000 sq. ft.
10-23-10 Crabgrass Preventer & TurfStarter Fertilizer	3	4.6 lb/1000 sq. ft.
11-25-11 Turf Starter Fertilizer	3.5	4 lb/1000 sq. ft.
25-3-13 Fall & Winter Lawn Fertilizer	3.25	3.8 lb/1000 sq. ft.
26-2-6 Insect Control & Lawn Fertilizer	3	3 lb/1000 sq. ft.
29-2-4 Crabgrass Preventer & Lawn Fertilizer	2.75	3 lb/1000 sq. ft.
31-3-5 Lawn Fertilizer	3	3.2 lb/1000 sq. ft.
32-3-5 Lawn Fertilizer	3	3 lb/1000 sq. ft.
4-Pack		
(1) Spring-22-4-9 Crabgrass Preventer Lawn Fertilizer	2.5	3 lb/1000 sq. ft.
(2) Spring to Summer-27-4-6 Broadleaf Weed Control & Lawn Fertilizer	3	3.2 lb/1000 sq. ft.
(3) Summer to Fall-29-2-9 Insect Control & Lawn Fertilizer	3.25	3 lb/1000 sq. ft.
(4) Fall to Winter-26-2-12 Winterizing Lawn Fertilizer	3	3.6 lb/1000 sq. ft.