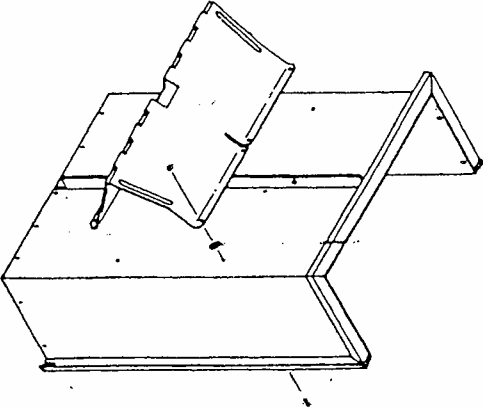
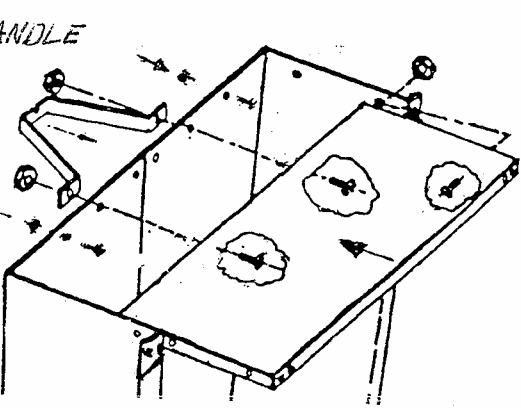
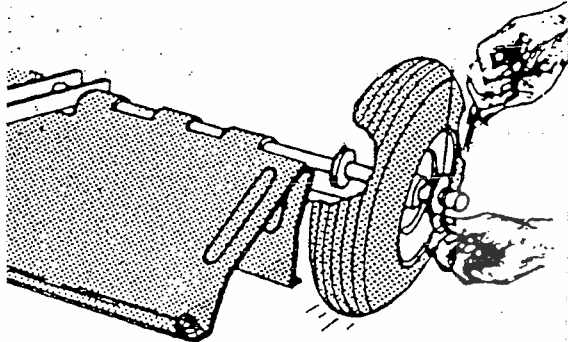
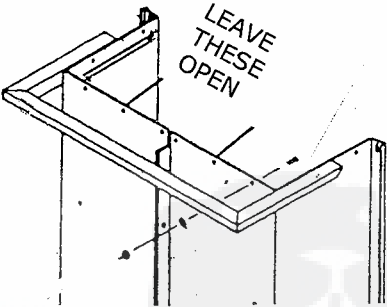
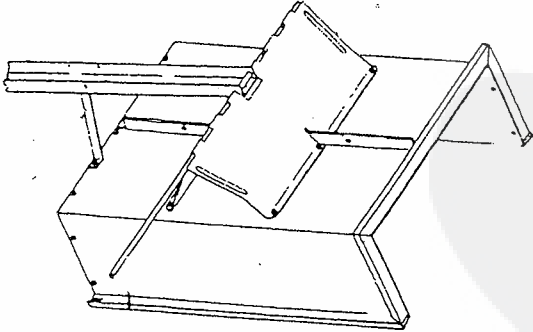
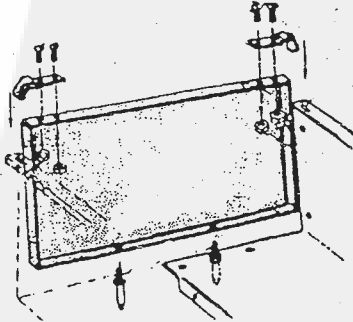


Dumpcart for mowers 320 kg GAL320

Manual and instructions for assembly : read very carefully

- Note**
- Read these instructions carefully before assembly
 - Assemble your dumpcart on level ground
 - Assemble the dumpcart with the heads of the bolts on the inside of the frame.

Assembly

<p>1</p>  <p>- Place the body of the dumpcart on level ground - fix the support for the axle tightly</p>	<p>4</p>  <p><i>HANDLE</i></p> <p>- Place the cover plate in the front, the V support and the manual transportation handle and fix tightly with screws</p>
<p>2</p>  <p>- Place the axle, put the wheels at both ends and secure by means of split pins</p>	<p>5</p>  <p><i>LEAVE THESE OPEN</i></p> <p>- Screw the rear angled profile and the 2 sliding supports for the movable rear plate together</p>
<p>3</p>  <p>- Place and fix the shaft to the front.</p>	<p>6</p>  <p>- Slip the rear deck into the slots, keeping the inside pins in front of the matching holes and the same with the fixing brackets and matching slots.</p>

Instructions

- couple the dumpcart to the lawn mower and fix by giving the split pin a quarter turn
- Always charge the dumpcart horizontally en diffuse the weight so that rear side is a somewhat more heavily charged : easier discharge.
- When transporting loose materials such as stones, sand, dirt, gravel, etc place the rear deck with the edges facing backwards. Easier opening of loading flap



- Use the dumpcart only with a lawn mower, use on public roads is prohibited.



- When reversing, always drive in a straight line so as not to damage the material.



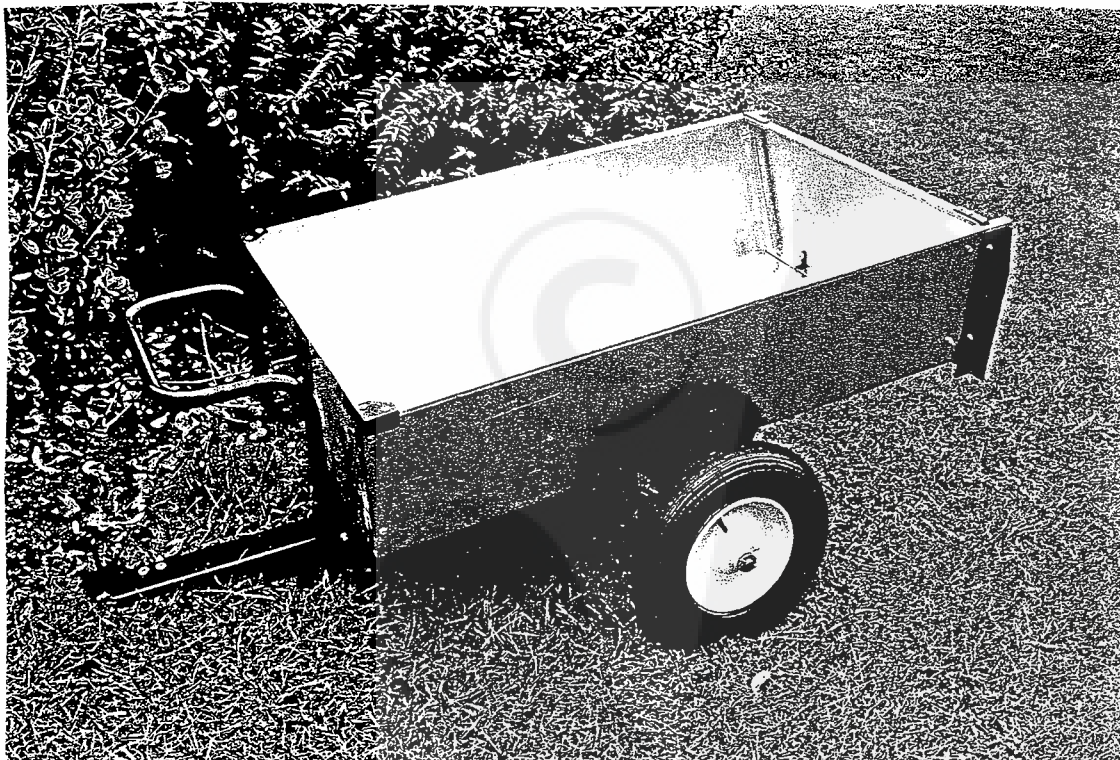
- Compare the brake power of your lawn tractor with the load of the dumpcart :
The mower can be dragged down a slope when the cart is too heavy.

Maintenance

- Check the tension of the bolts regularly
- Store your dumpcart in a dry place
- Check the pressure of the tires (1,5 bar)
- Make sure the hubs are regularly greased
- Check the general condition and remove if necessary traces of corrosion that might appear

Characteristics

- Dimensions
 - Length : 1,60m
 - Breadth : 0,95m
 - Height : 0,65m
 - Usable volume : 250 liter
 - Tire pressure : 1,5 bar



Distributed par EUROGARDEN - B3300 TIENEN - Belgium