

SINCE 1839

**BRINLY**

SINCE 1839

**BRINLY**

# OWNER'S MANUAL

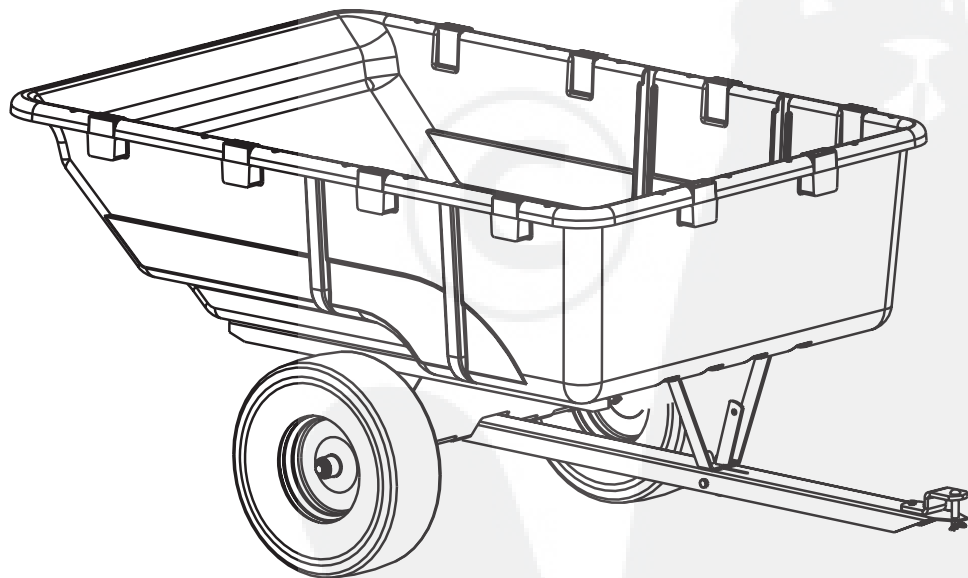
## ***POLY CART, 17 CUBIC FOOT***

MODEL:

***PCT-17BH***

- Assembly
- Installation
- Operation
- Repair Parts

For use with  
Lawn / Garden  
Tractors.



Visit us on the web!  
[www.brinly.com](http://www.brinly.com)

**Important:** This manual contains information for the safety of persons and property. Read it carefully before assembly and operation of the equipment!

# INTRODUCTION AND SAFETY

CONGRATULATIONS on the purchase of your new Brinly-Hardy Cart! Your Cart has been designed, engineered and manufactured to give you the best possible dependability and performance.

Should you experience any problem you cannot easily remedy, please do not hesitate to contact our knowledgeable customer service department toll-free at 1-877-728-8224. We have competent, well trained technicians to help you with the assembly and use of your Cart.



## CUSTOMER RESPONSIBILITIES

- Please read and retain this manual. The instructions enable you to assemble and maintain your cart properly.
- Please, always observe the Safety Instructions.

## PRODUCT COMPATIBILITY

This utility cart is designed for use with lawn tractors and lawn and garden tractors.

## TABLE OF CONTENTS

<i>Intro, Specifications, Required Tools and Safety</i> . . . . .	2-4
<i>Parts</i> . . . . .	4-5
<i>Assembly</i> . . . . .	6-9
<i>Operation</i> . . . . .	10
<i>Service</i> . . . . .	11
<i>Warranty</i> . . . . .	12

## REQUIRED TOOLS FOR ASSEMBLY



- 1/2" Wrench (2)
- 9/16" Wrench (2)
- Pliers
- Gloves

## SAFETY LABELS

### SAFETY LABELS AND NOTATION



This symbol will help to point out important safety precautions throughout this manual. It means:  
**ATTENTION! BECOME ALERT! Your safety is involved.**



## SPECIFICATIONS

Maximum Towing Speed . . . . .	8 mph
Bed Capacity . . . . .	17 cu. Ft.
Maximum Load . . . . .	850 lbs
Maximum Tongue Weight . . . . .	100 lbs
Empty Weight . . . . .	107 lbs

### TIRES

Size . . . . .	16 x 6.5
Inflation Pressure . . . . .	28 psi

The safety labels shown in this section are placed in important areas on your product to draw attention to potential safety hazards.

On your product safety labels, the words DANGER, WARNING and CAUTION are used with the safety-alert symbol. DANGER identifies the most serious hazards.

The operator's manual also explains any potential safety hazards whenever necessary in special safety messages that are identified with the word, CAUTION, and the safety-alert symbol.

# SAFETY

## CAUTION

<p><b>CAUTION</b></p> <p>TO HELP PREVENT BODILY INJURY DUE TO LOSS OF STABILITY OR CONTROL</p> <ul style="list-style-type: none"><li>• Do not exceed maximum towing capacity of towing vehicle listed in the vehicle operator's manual</li><li>• Do not exceed maximum cart load capacity listed in cart operator's manual</li><li>• Reduce loaded cart weight on slopes and/or slippery surfaces</li><li>• Do not exceed 8 mph (13 kph) when towing cart</li></ul>	<p><b>ATTENTION</b></p> <p>POUR ÉVITER LES BLESSURES CAUSÉES PAR UNE PERTE DE STABILITÉ OU DE CONTRÔLE</p> <ul style="list-style-type: none"><li>• Ne pas dépasser la capacité de remorquage maximum du véhicule remorqueur indiquée dans le livret d'entretien du véhicule</li><li>• Ne pas dépasser la capacité de charge maximum du chariot indiquée dans le livret d'entretien du chariot</li><li>• Réduire la charge du chariot sur les pentes et/ou les surfaces glissantes</li><li>• Ne pas dépasser 8 mph (13 km/h) lors du remorquage du chariot</li></ul> <p>M151136</p>
---	--

### TO HELP PREVENT BODILY INJURY DUE TO LOSS OF STABILITY OR CONTROL

- Do not exceed maximum towing capacity of towing vehicle listed in the vehicle operator's manual.
- Do not exceed maximum cart load capacity listed in cart operator's manual.
- Reduce loaded cart weight on slopes &/or slippery surfaces.
- Do not exceed 8 mph (13 kph) when towing cart.

## GENERAL SAFETY NOTES ( Operation )

### TO HELP PREVENT BODILY INJURY DUE TO LOSS OF STABILITY OR CONTROL.

- Do not exceed maximum towing capacity of towing vehicle listed in the vehicle operator's manual.
- Do not exceed maximum cart load capacity listed in the cart operator's manual.
- Reduce loaded cart weight on slopes and/or slippery surfaces.
- Do not exceed 8 mph when towing cart.
- Do not tow cart behind a ZTR (Zero Turn Radius) Mower.
- Do not tow cart behind a motor vehicle such as a car, truck, ATV or UTV.

### SAFETY

- Read the general safety operating precautions in your machine operator's manual for additional safety information.

### OPERATE SAFELY

- Use cart for intended purpose only.
- This machine is intended for use in lawn care and home applications. Do not tow behind a vehicle on a highway or in any high speed applications. Do not tow at speeds higher than maximum recommended towing speed.
- Towing speed should always be slow enough to maintain control. Travel slowly over rough ground.

## WARNING

	
<p><b>WARNING</b></p> <p><b>AVOID INJURY FROM EXPLOSION</b></p> <ul style="list-style-type: none"><li>• Do not place gas container in cart when filling</li></ul> <p><b>RIDERS CAN FALL OFF AND BE KILLED</b></p> <ul style="list-style-type: none"><li>• No riders in cart</li></ul> <p><b>ATTENTION</b></p> <p><b>POUR ÉVITER TOUTE BLESSURE PAR SUITE D'EXPLOSION</b></p> <ul style="list-style-type: none"><li>• Ne pas conserver le bidon à essence dans le chariot lors du remplissage</li></ul> <p><b>LES PASSAGERS PEUVENT TOMBER ET ENCOURIR DES BLESSURES MORTELLES</b></p> <ul style="list-style-type: none"><li>• Ne pas transporter de personnes dans le chariot</li></ul> <p>B-7084</p>	

B7084B

### AVOID INJURY FROM EXPLOSION

- Do not place gas container in cart when filling

### RIDERS CAN FALL OFF AND BE KILLED

- No riders in cart

- Do not let children or an untrained person operate the towing vehicle or this machine.
- Do not let anyone, especially children, ride on the towing vehicle, this machine or attachment. Riders are subject to injury such as being struck by foreign objects and being thrown off. Riders may also obstruct the operator's view, resulting in the machine being operated in an unsafe manner.
- Check towing vehicle brake action before you operate. Adjust or service brakes as necessary.
- Keep all parts in good condition and properly installed. Fix damage immediately. Replace worn or broken parts. Replace all worn or damaged safety and instruction decals.
- Do not modify the towing vehicle, this machine or safety devices. Unauthorized modifications to the machine or attachment may impair its function and safety.
- Securely anchor all loads to prevent loads from falling out during use.
- Keep all nuts, bolts and screws tight.
- Do not over inflate tires.
- Do not restrict operator visibility during use.
- Ensure the operator is at a safe distance when dumping cart! The Lock Bar that releases the bed has the potential to release quickly.
- Do not modify hitch/trailer connection on cart.
- Distribute load evenly for safe travel and unloading of cart.

# SAFETY

## TOWING LOADS SAFELY

- Stopping distance increases with speed and weight of towed load. Travel slowly and allow extra time and distance to stop.
- Total towed weight must not exceed limits specified in towing vehicle operator's manual.
- Excessive towed load can cause loss of traction and loss of control on slopes. Reduce towed weight when operating on slopes.
- Never allow children or others in or on towed equipment.
- Use only approved hitches. Tow only with a machine that has a hitch designed for towing. Do not attach towed equipment except at the approved hitch point.
- Follow the manufacturer's recommendations for weight limits for towed equipment and towing on slopes. Use counterweights or wheel weights as described in the towing vehicle operator's manual.
- Do not turn sharply. Use additional caution when turning or operating under adverse surface conditions. Use care when reversing. To avoid jack-knifing, do not allow towing vehicle wheels to contact drawbar.
- Do not shift to neutral and coast downhill.

## PROTECT BYSTANDERS

- Keep bystanders away when you operate a towed attachment.

- Before you back machine and attachment, look carefully behind attachment for bystanders.
- Before you dump cart, look carefully behind attachment for bystanders.

## KEEP RIDERS OFF TOWED ATTACHMENT

- Keep riders off of a towed attachment.
- Riders on a towed attachment are subject to injury, such as being struck by objects and being thrown off the attachment during sudden starts, stops and turns.
- Riders obstruct the operator's view, resulting in the attachment being used in an unsafe manner.
- Keep riders off of hitch bracket.

## KEEP BODY PARTS FROM UNDER DRAWBAR

- Before you disconnect this machine from towing vehicle hitch plate:
- Unload cart. Stop on level ground.
- Stop machine engine.
- Lock machine park brake.
- Block attachment wheels.
- Make sure body parts are not under drawbar.

# PARTS

REF. #	PART #	DESCRIPTION	QTY.
2	2M1012P	5/16" x 3/4", Hex Bolt	2
3	B-6298	3/8" x 3-3/4", Hex Bolt	1
4	30M1000P	5/16", Hex Nut	12
5	40M1000P	5/16", Lock Washer	12
6	45M1111P	5/16" Flat Washer	24
7	B-3034-10	Clevis	1
8	B-6288-10	Lock Bar	1
	or 1008604**	Foot Pedal	1
9	B-3303	Spring Handle	1
10	B-6299	3/8", Keps Nut	2
11	B-3308-10	Axle Support Bracket	1
12	B-3520-10	Lock bracket	1
13	B-3861	Hitch Pin, 1/2" x 2-1/2"	1
14	B-4305	Retainer Ring, 3/4"	2
15	B-5606	Machine Bushing	6
17	B-7097B-BH	Bed	1
18	B-6957-10	Drawbar	1
19	B-7092	Wheel	2
20	B-6967	Axle	2
21	B-6978-01	Wheel Spacer	1
22	B-1674P	5/16", Lock Nut	2
23	B-1675P	3/8", Lock Nut	1
24	B-8026-10	Longitudinal Support	2
25	D-146P	Hairpin Cotter, 1/8"	1
26	20M1020P	5/16" x 1-1/4", Rd Head	12
27	L-1744-3	Pack Code Label	1
28	B-7086	Caution label	1
29	B-7084	Warning label	1
30	1008603**	Grip Tape	1

\*\* - If Equipped

## CART ASSEMBLY

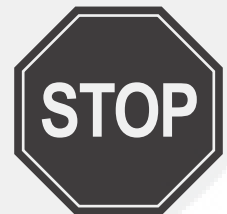
WHEN ASSEMBLING THE CART, DO THE FOLLOWING:

- Do not discard the inner packing sleeve. A template can be cut from the sleeve to make dividers for the cart.
- Place pieces of carton under the cart bed to avoid scratches.
- Put all bolt heads to the inside of the cart bed.

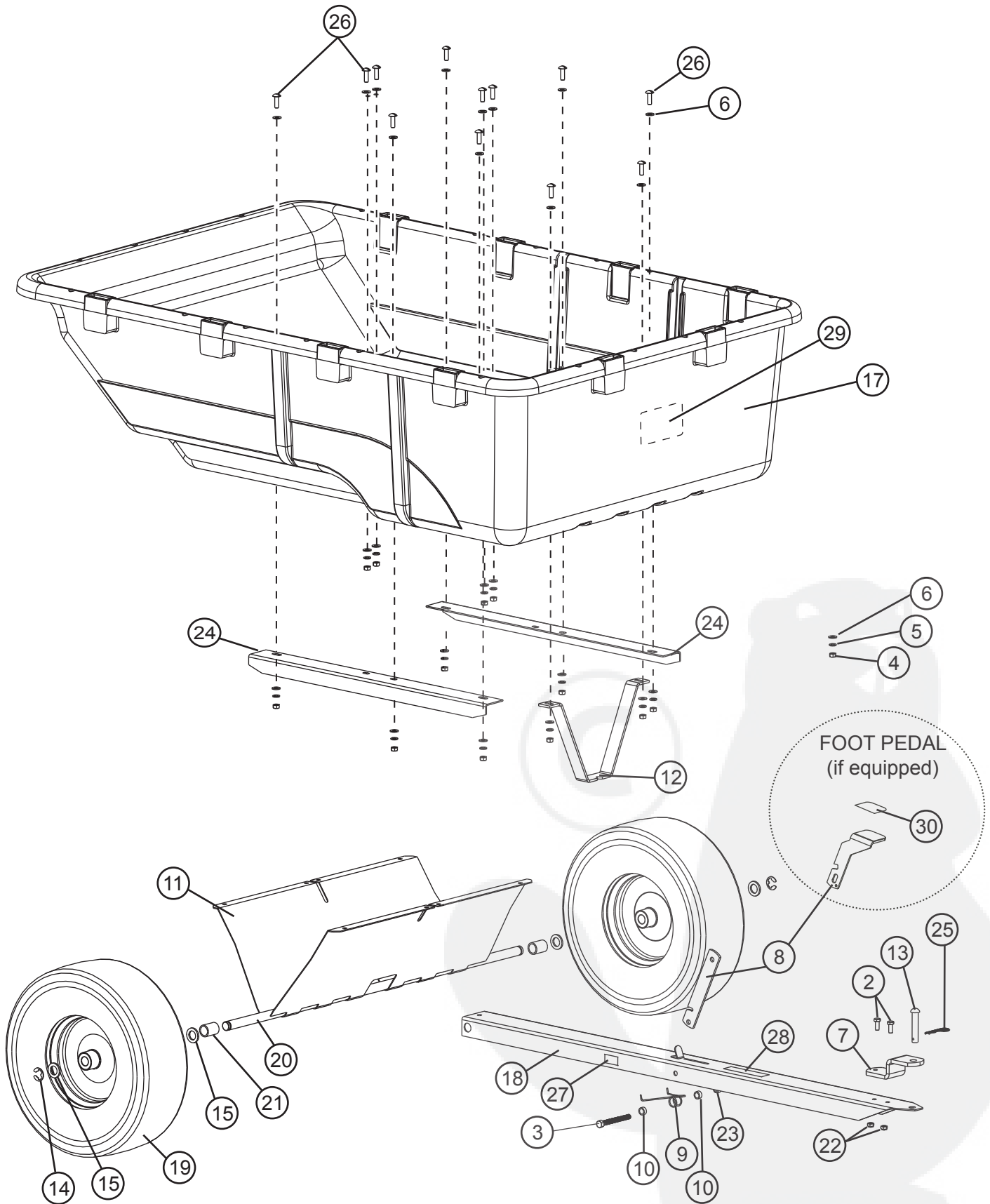
Installing Questions?  
Missing Parts?  
Need Replacement Parts?

**DON'T GO BACK  
TO THE STORE!**

Please call our  
Customer Service Department  
Toll Free **877-728-8224**  
or email: [customerservice@brinly.com](mailto:customerservice@brinly.com)



# PARTS

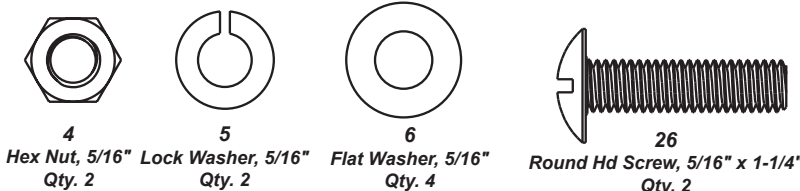
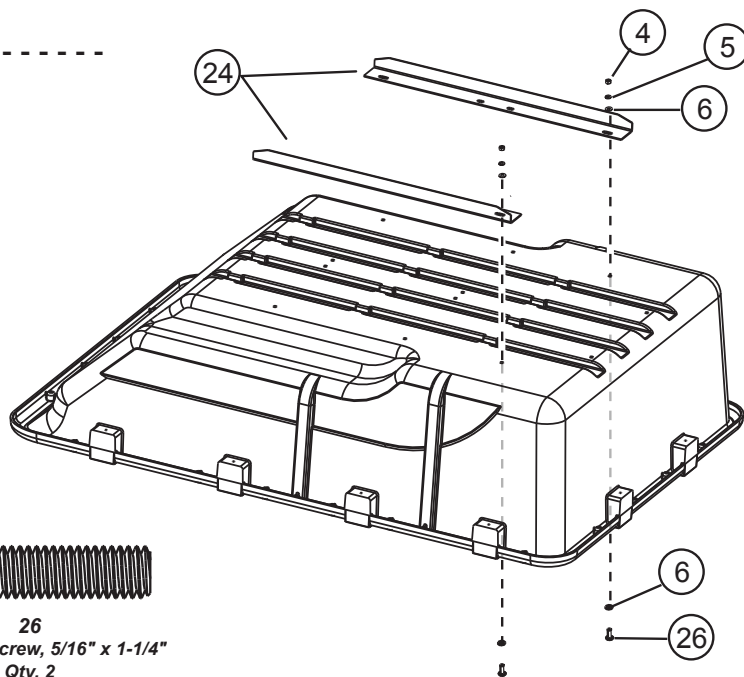


# ASSEMBLY

## STEP 1

### Install Supports

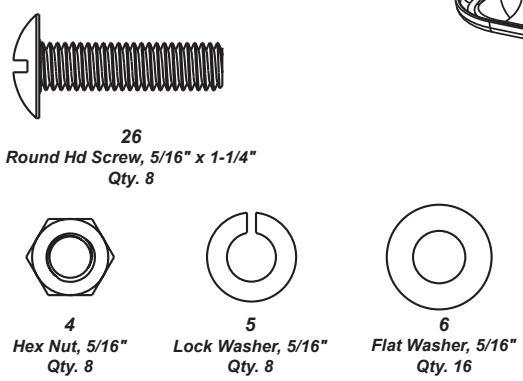
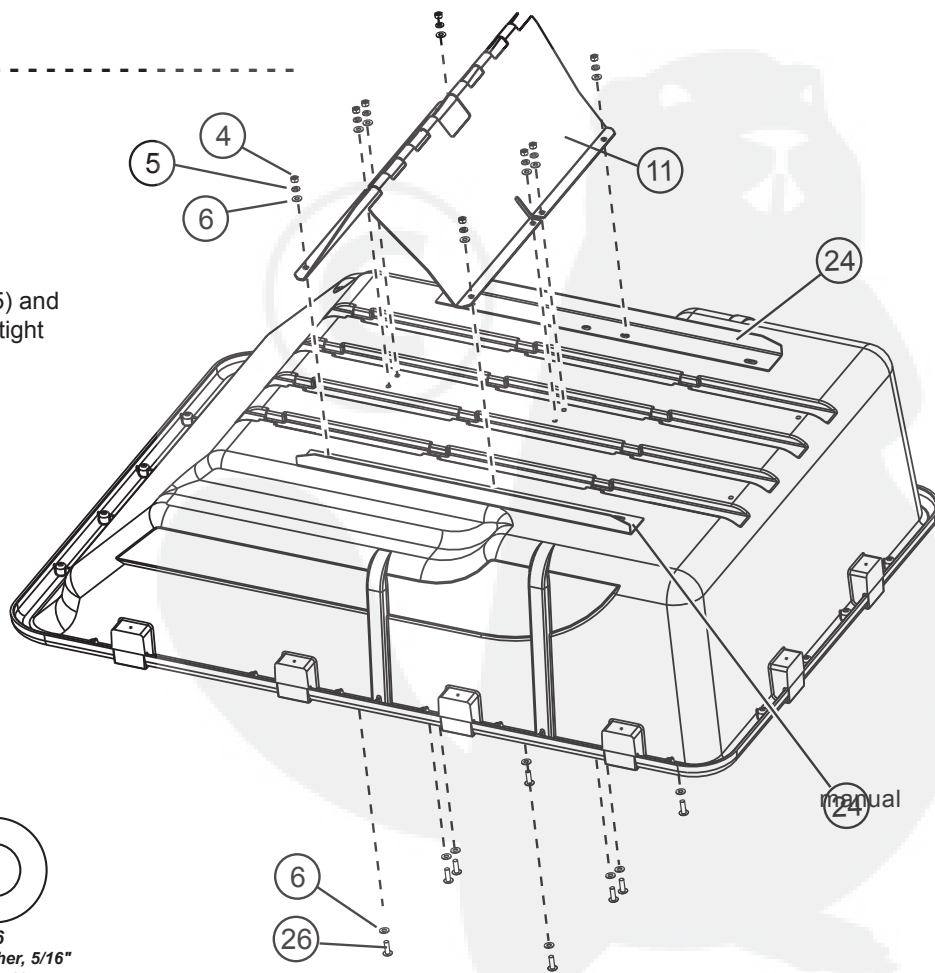
- 1a. Position the Longitudinal Supports (24) over the bed, as shown.
- 1b. Secure each support with one Round Hd. Screw (1), two Flat washers (6), one Lock Washer (5) and one Hex Nut (4), as shown. Assemble finger tight until all screws are installed.
- 1c. Do NOT tighten nuts.



## STEP 2

### Install Axle Support

- 2a. Position the Axle Support (11) over slotted holes over the Longitudinal Supports (24) and bed.
- 2b. Secure Axle Support with Round Hd. Screw (26), Washer (6), Lock Washer (5) and Hex Nut (4) as shown. Assemble finger tight until all 8 screws are installed.
- 2c. Do NOT tighten nuts.





# ASSEMBLY

## STEP 3

### Install Lock Bracket & Assemble Lock Bar

- 3a. Position Lock Bracket (12) as shown and secure Round Hd. Screw (26), Washer (6), Lock Washer (5) and Hex Nut (4). Make sure the notch on the lock bracket is facing the front of cart.

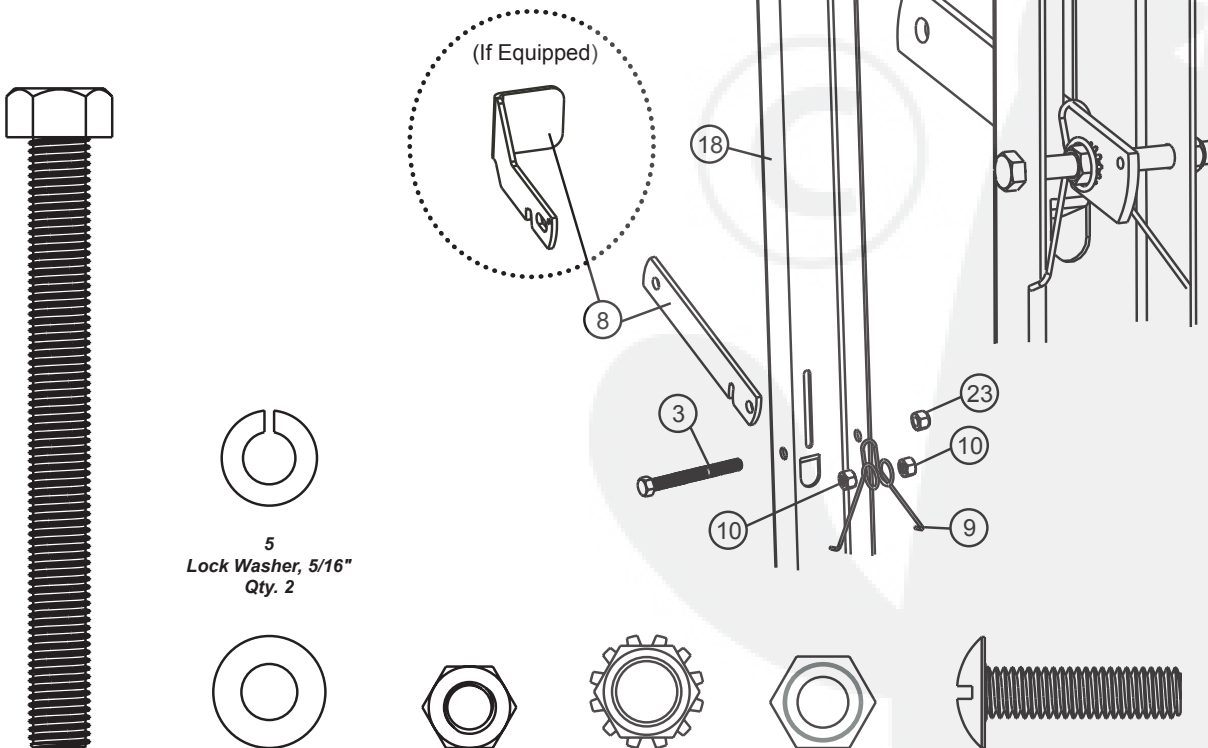
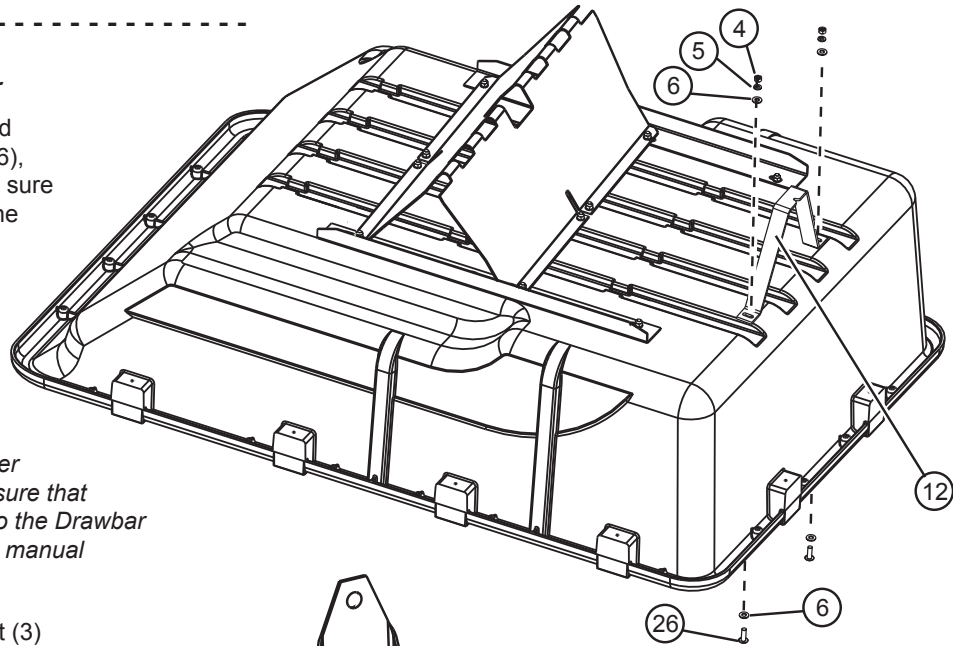
**Note:** Lock Bracket (12) has slots in it to adjust forward or backward. See final adjustment in Figure 5.

- 3b. Tighten all fasteners in attached in previous steps.

**Note:** The cart will be supplied with either a Lock Bar (8) or a Foot Pedal (8\*). Ensure that the Lock Bar or Foot Pedal is installed to the Drawbar (18) as shown. The other figures in this manual show the Lock Bar only.

- 3c. Install the Keps Nut (10) on the Hex Bolt (3) followed by the Spring (9) so that the Lock Bar is centered.

- 3d. Tighten the Keps Nuts(10) securely. Install the Lock Nut(23) so that the Hex Bolt(3) remains free to pivot.



**3**  
Hex Bolt, 3/8" x 3-3/4"  
Qty. 1

**6**  
Flat Washer, 5/16"  
Qty. 4

**4**  
Hex Nut, 5/16"  
Qty. 2

**10**  
Keps Nut, 3/8"  
Qty. 2

**23**  
Lock Nut, 3/8"  
Qty. 1

**26**  
Round Hd Screw, 5/16" x 1-1/4"  
Qty. 2

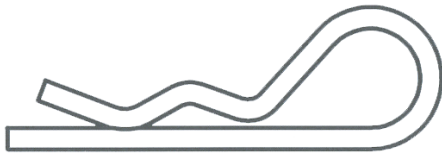
# ASSEMBLY

## STEP 4

### Assemble Clevis

- 4a. Install Clevis (7) with Clevis Pin (13) and Cotter Pin (25).

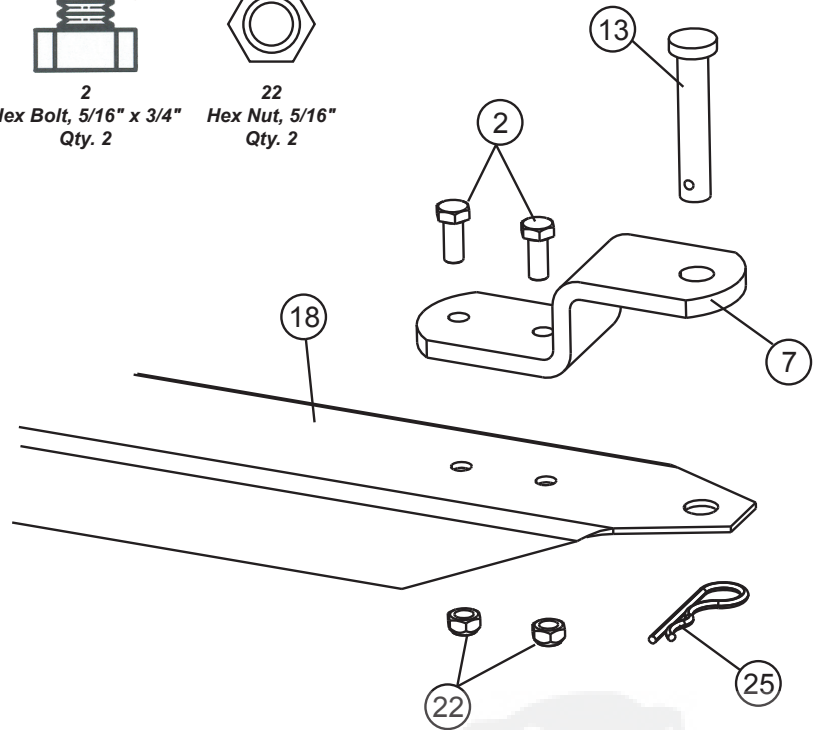
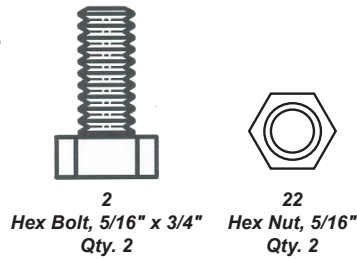
Install Hex Bolts (2) and Hex Nuts (22), as shown.



25  
Cotter Pin  
Qty. 1



13  
Hitch Pin  
Qty. 1

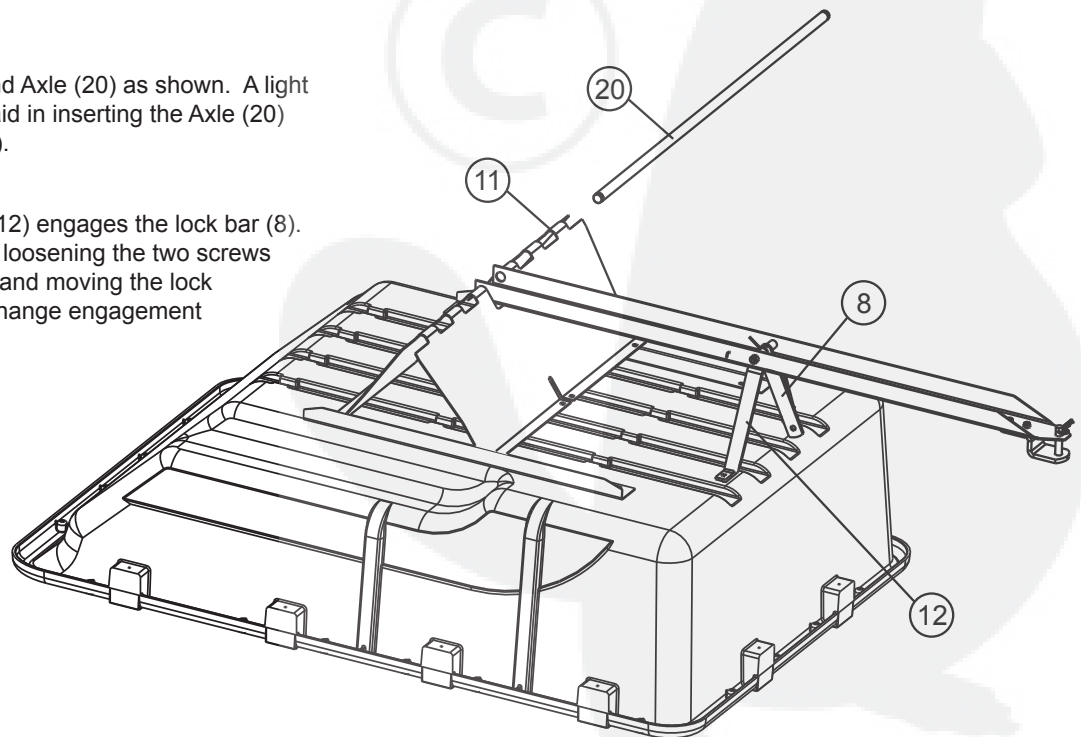


## STEP 5

### Install Drawbar & Axle

- 5a. Install Drawbar Assembly and Axle (20) as shown. A light coating of grease or oil will aid in inserting the Axle (20) through the Axle Support (11).

- 5b. Verify that the lock bracket (12) engages the lock bar (8). Adjustment can be made by loosening the two screws that secure the lock bracket and moving the lock bracket forward or back to change engagement and/or ease of operation.





# ASSEMBLY

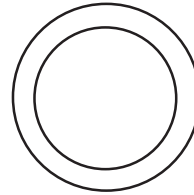
## STEP 6

### Install Wheels

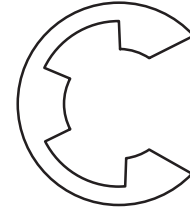
- 6a. To install wheels, assemble parts on to axle (20) as follows: Wheel Spacer (21), then Bushing (15), Wheel (19), Bushing (15) and Retaining Ring (14).

**Note:** Install the wheels so that the grease fitting faces out.

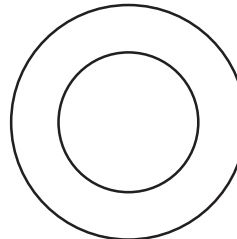
- 6b. Use pliers to snap retaining ring (14) in to groove on axle (20). Two extra bushings (15) are also provided in case you need to take up end play on Axle (20).
- 6c. Wheels come without grease in them!! Use a grease gun to lubricate wheels and axle assembly prior to use. Pump grease until grease starts coming out around bearing either inside hub or outside hub.



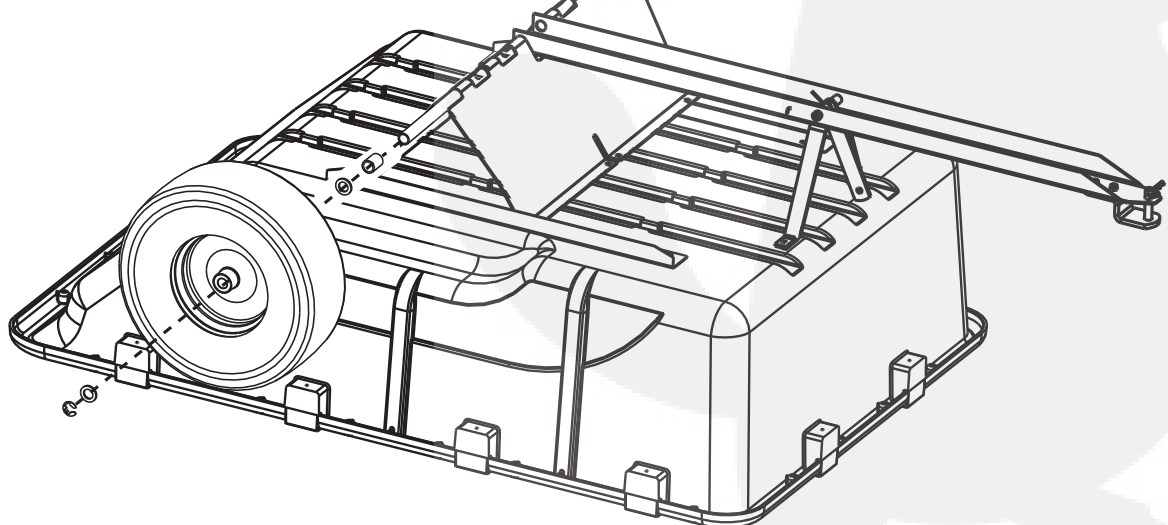
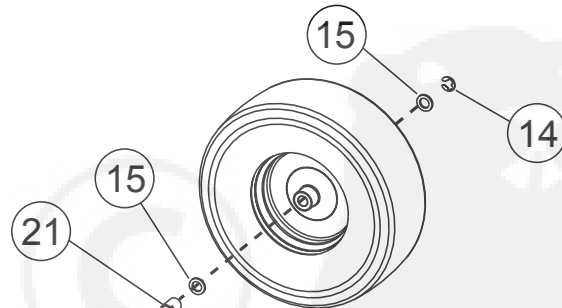
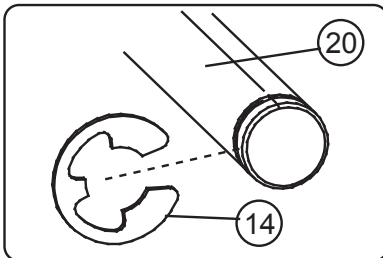
21  
Wheel Spacer  
Qty. 2



14  
Retaining Ring, E-type  
Qty. 2



15  
3/4", Machine Bushing  
Qty. 6

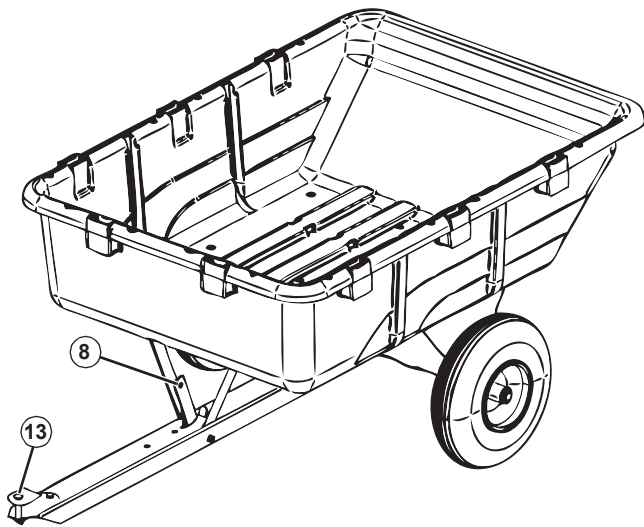


# OPERATION

## INSTALLING CART



**CAUTION:** Avoid injury! Before installing cart, make sure dump lever is locked.



1. Lock cart lock bar(8) in place.
2. Park towing vehicle safely (See Towing Vehicle Manual).
3. Align cart drawbar with towing vehicle drawbar.
4. Install hitch pin (13) through cart drawbar and towing vehicle hitch. Secure clevis pin with 1/8 in. spring locking pin.

## REMOVING CART



**CAUTION:** Avoid injury, Before installing cart, make sure transport latch is facing toward cart dump lever and dump lever is locked in place.

**NOTE:** Refer to illustrations in the Installing Section, earlier in this manual.

1. Park towing vehicle safely (See Towing Vehicle Manual).
2. Unload cart.



**CAUTION:** Avoid injury! Keep body parts from under drawbar.

3. Remove cotter pin and drawbar pin.
4. Push cart away from towing vehicle. Block cart wheels.
5. Install drawbar pin and cotter pin in cart drawbar for storage.

## OPERATING

### Determining Weight for Cart



**CAUTION:** Avoid injury! Excessive towed load can cause loss of traction and loss of control on slopes. Stopping distance increases with speed and weight of towed load.

Total towed weight must not exceed combined weight of the towing vehicle, ballast and operator.

The following is the maximum loaded cart weight:

Model Cart	Loaded Weight Capacity
17P	850 lbs.



**CAUTION:** Avoid injury! If additional weight is required when towing a cart, add weight at or forward of the rear wheels. Adding weight behind the rear wheels can affect machine steering.

Cart capacity will vary with weight of towing vehicle and operator. Add the weight of your towing vehicle to operator weight to find the maximum capacity of the cart.

With all cart usage, the cart load should be reduced when operating on slopes or slippery surfaces to maintain stability.

**EXAMPLE:**

<i>If Towing Vehicle Weighs:</i>	<i>500 lbs.</i>
<i>Add Your Weight:</i>	<i>200 lbs.</i>
<i>Combined weight Equals:</i>	<i>700 lbs.</i>

To maintain stability using the cart in this example, you cannot safely carry more than 700 lbs. without first adding additional ballast to the towing vehicle.

## UNLOADING CART

1. Park towing vehicle safely (See Towing Vehicle Manual).



**CAUTION:** Avoid Injury! Before dumping cart: Park towing vehicle safely.

Before backing up, make sure area is clear of bystanders, especially children. Make sure cart is installed to the towing vehicle. Evenly distribute load before releasing lock bar.

Ensure the operator is at a safe distance when dumping cart! *The Lock Bar that releases the bed has the potential to release quickly!*

2. Move lock bar forward to release cart box.
3. Tilt cart bed back to unload cart.
4. Push cart down & move cart lock bar toward cart & lock into place.

# SERVICE

---

---

## LUBRICATING WHEEL BEARINGS

---

Lubricate each wheel bearing with a multipurpose grease or an equivalent.

Wash cart bed after each use to avoid damage to bed or hardware.

Unload cart before performing any maintenance to cart assembly, including changing flat tires, etc.

## GETTING QUALITY SERVICE

---

### *Quality Continues with Quality Service*

We provide a process to handle your questions or problems.

Follow the steps below to get answers to any questions you may have about your product.

1. Refer to your cart and towing vehicle operator manuals.
2. In North America or Canada, call 1-877-728-8224 and provide product serial number (if available) and model number.





## MANUFACTURER'S LIMITED WARRANTY FOR BRINLY PULL-BEHIND ACCESSORIES

The limited warranty set forth below is given by Brinly-Hardy Company with respect to new merchandise purchased and used in the United States, its possessions and territories.

Brinly-Hardy Company warrants the products listed below against defects in material and workmanship, and will at its option, repair or replace, free of charge, any part found to be defective in materials or workmanship. This limited warranty shall only apply if this product has been assembled, operated, and maintained in accordance with the Owner's manual furnished with the product, and has not been subject to misuse, abuse, commercial use, neglect, accident, improper maintenance, alteration, vandalism, theft, fire, water, or damage because of other peril or natural disaster.

Normal Wear Parts or components thereof are subject to separate terms as follows: All normal wear parts or component failures will be covered on the product for a period of 90 days.

Parts found to be defective within the warranty period will be replaced at our expense. Our obligation under this warranty is expressly limited to the replacement or repair, at our option, of parts found to be defective in material and workmanship.

**HOW TO OBTAIN SERVICE:** Warranty parts replacements are available, ONLY WITH PROOF OF PURCHASE, Through our Pull Behind Accessories Customer Service Department. Call 877-728-8224.

This limited warranty does not provide coverage in the following cases:

- a) Routine maintenance items such as lubricants and filters.
- b) Normal deterioration of the exterior finish due to use or exposure.
- c) Transportation and/or labor charges.
- d) The warranty does not include commercial and/or rental use.

**No implied warranty, including any implied warranty of merchantability of fitness for a particular purpose, applies after the applicable period of express written warranty above as to the part as identified below. No other express warranty whether written or oral, except as mentioned above, given by any person or entity, including a dealer**

**or retailer, with respect to any product, shall bind Brinly-Hardy Co. During the period of the warranty, the exclusive remedy is repair or replacement of the product as set forth above.**

**The provisions as set forth in this warranty provide the sole and exclusive remedy arising from the sale. Brinly-Hardy Company shall not be liable for incidental or consequential loss or damage including, without limitation, expenses incurred for substitute or replacement lawn care services or for rental expenses to temporarily replace a warranted product.**

Some states do not allow the exclusion or limitation of incidental or consequential damages, or limitations on how long an implied warranty lasts, so the above exclusions or limitations may not apply to you.

During the warranty period, the exclusive remedy is replacement of the part. In no event shall recovery of any kind be greater than the amount of the purchase price of the product sold. Alteration of safety features of the product shall void this warranty. You assume the risk and liability for loss, damage, or injury to you and your property and/or to others and their property arising out of the misuse or inability to use this product.

This limited warranty shall not extend to anyone other than the original purchaser or to the person for whom it was purchased as a gift.

**HOW STATE LAW RELATES TO THIS WARRANTY:** This limited warranty gives you specific legal rights, and you may also have other rights which vary from state to state.

**IMPORTANT:** The Warranty period stated below begins with the PROOF OF PURCHASE. Without the proof of purchase, the Warranty period begins from the date of manufacture determined by the serial number manufacturing date.

**CART WARRANTY PERIOD:**

The warranty period for this lawn cart is as follows: Steel Frame Parts – 2 Years. Poly Bed – 2 Years. Tires and Wheels are normal wear parts - 90 days.