

SINCE 1839

BRINLY

SINCE 1839

BRINLY

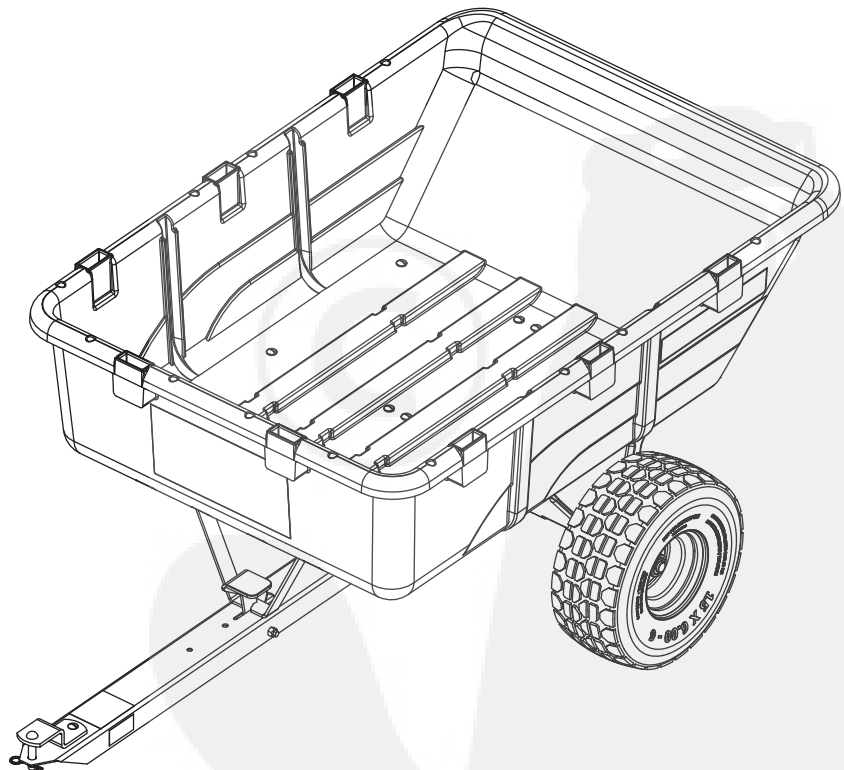
OWNER'S MANUAL

10P TOW POLY CART

MODEL:

PCT-101BH

- Assembly
- Installation
- Operation
- Repair Parts



Original Instructions

For the latest product updates & setup tips:

Visit us on the web!
www.brinly.com

Important: This manual contains information for the safety of persons and property. Read it carefully before assembly and operation of the equipment!

1008577EN-B

INTRODUCTION AND SAFETY

CONGRATULATIONS on the purchase of your new Brinly-Hardy Cart! Your Cart has been designed, engineered and manufactured to give you the best possible dependability and performance.

Should you experience any problem you cannot easily remedy, please do not hesitate to contact our knowledgeable customer service department toll-free at 1-877-728-8224. We have competent, well trained technicians to help you with the assembly and use of your Cart.



CUSTOMER RESPONSIBILITIES

Please read and retain this manual. The instructions will enable to assemble and maintain your Cart properly. Please carefully read and observe the SAFETY section of this manual. Follow a regular schedule in maintaining and caring-for your Brinly-Hardy Cart.

TABLE OF CONTENTS

SAFETY.....	2
COMPONENT VIEW AND REFERENCE LIST.....	4
ASSEMBLY.....	5-7
OPERATION.....	8
SERVICE - STORAGE.....	8
WARRANTY INFORMATION.....	9

SAFETY

SAFETY LABELS AND NOTATION



This symbol will help to point out important safety precautions throughout this manual. It means - ATTENTION! BECOME ALERT! your safety is involved.




⚠ WARNING

AVOID INJURY FROM EXPLOSION

- Do not place gas container in cart when filling

RIDERS CAN FALL OFF AND BE KILLED

- No riders in cart

⚠ ATTENTION

POUR ÉVITER TOUTE BLESSURE PAR SUITE D'EXPLOSION

- Ne pas conserver le bidon à essence dans le chariot lors du remplissage

LES PASSAGERS PEUVENT TOMBER ET ENCOURIR DES BLESSURES MORTELLES

- Ne pas transporter de personnes dans le chariot

B-7084



The safety labels shown in this section are placed in important areas on your product to draw attention to potential safety hazards.

On your product safety labels, the words DANGER, WARNING and CAUTION are used with the safety-alert symbol. DANGER identifies the most serious hazards.

The operator's manual also explains any potential safety hazards whenever necessary in special safety messages that are identified with the word, CAUTION, and the safety-alert symbol.

GENERAL NOTES (OPERATION)

Caution should be taken when towing and/or using any attachment. This attachment combined with the weight distribution, turning radius, and speed of towing vehicle can result in severe injury or death to operator, damage to towing vehicle, and/or attachment if not used properly. Follow all towing safety precautions noted in the towing vehicle owner's manual, including the following precautions:

- Ensure the combined weight of the towing vehicle (tow vehicle weight + operator weight) is greater than the maximum towed weight of attachment (empty attachment weight + weight of load).
- Do not exceed maximum towing capacity of towing vehicle.
- Do not exceed the maximum drawbar pull rating of the towing vehicle. Drawbar pull is the horizontal force required to pull the attachment (including weight of load).
- Only tow this product in the vehicle's tow mode/speed setting or less than 5 mph. Do not exceed 5 mph.
- Towing speed should always be slow enough to maintain control. Travel slowly and use caution when traveling over rough terrain. Avoid holes, rocks and roots.
- Slow down before you turn and do not turn sharply.
- Use wide turning angles to ensure the attachment follows the path of the towing vehicle.
- Do not use attachment on steep slopes. A heavy load could cause loss of control or overturn attachment and towing vehicle. Additional weights may need to be added to your vehicle; check with towing vehicle manufacturer for recommendations.
- Reduce towed weight when operating on slopes.
- Keep all movement on slopes slow and gradual. Do not make sudden changes in speed, directions, or turning.
- If you start and stop suddenly on hills, you may lose steering control or the towing vehicle may tip. Do not start or stop suddenly when going uphill or downhill. Avoid uphill starts.
- Slow down and use extra care on hillsides. Turf conditions can affect vehicle stability. Use extreme caution while operating near drop-offs.
- Do not drive close to creeks, ditches and public highways.
- Watch out for traffic when crossing near roadways.
- Use care when loading or unloading the vehicle into a trailer or truck.
- The attachment can obstruct the view to the rear. Use extra care when operating in reverse.
- When reversing, carefully back-up straight to avoid jackknifing. Do not allow towing vehicle wheels to contact attachment draw bar. Damage could result.
- Stop on level ground, disengage drives, set the parking brake, and shut off engine before leaving the operator's position for any reason including emptying the attachment.
- Use this attachment for intended purpose only.
- This attachment is intended for use in lawn care and home applications. Do not tow behind a vehicle on a highway or in any high speed applications. Do not tow at speeds higher than the maximum recommended towing speed.

- Do not tow this product behind a motor vehicle such as a car or truck.
- Always wear substantial footwear. Do not wear loose fitting clothing that can get caught in moving parts.
- Keep your eyes and mind on your towing vehicle, attachment and area being covered. Do not let other interests distract you.
- Stay alert for holes and other hidden hazards in the terrain
- Keep the towing vehicle and attachment in good operating condition and keep safety devices in place.
- The towing vehicle and attachment should be stopped and inspected for damage after striking a foreign object. Any damage should be repaired before restarting and operating the equipment.
- Keep all parts in good condition and properly installed. Fix damaged parts immediately. Replace worn or broken parts. Replace all worn or damaged safety and instruction decals. Keep all nuts, bolts and screws tight.
- Do not modify the attachment or safety devices. Unauthorized modifications to the towing vehicle or attachment may impair its function, safety and void the warranty.

TOWING VEHICLE AND TOWING SAFELY

- Know your towing vehicle controls and how to stop safely. READ YOUR TOWING VEHICLE OWNER'S MANUAL before operating.
- Check the towing vehicle brake action before you operate. Adjust or service brakes as necessary.
- Stopping distance increases with speed and weight of towed load. Travel slowly and allow extra time and distance to stop.
- Use only approved hitches. Tow this attachment only with a towing vehicle that has a hitch designed for towing. Do not connect this attachment except at the approved hitch point.
- Follow the tow vehicle manufacture's recommendations for weight limits for towed equipment and towing on slopes. Use counterweights or wheel weights as described in the towing vehicle operator's manual.
- Do not shift to neutral and coast downhill.
- Do not allow children to operate the towing vehicle. Do not allow adults to operate the towing vehicle without proper instruction or without having read the owner's manual.

PROTECT THOSE AROUND YOU

- Before you operate any feature of this attachment or towing vehicle, observe your surroundings and look for bystanders.
- Keep children, bystanders and pets at a safe distance away while operating this or any attachment.
- Use care when reversing. Before you back up, look carefully behind for bystanders.

KEEP RIDERS OFF TOWED ATTACHMENT AND TOWING VEHICLE

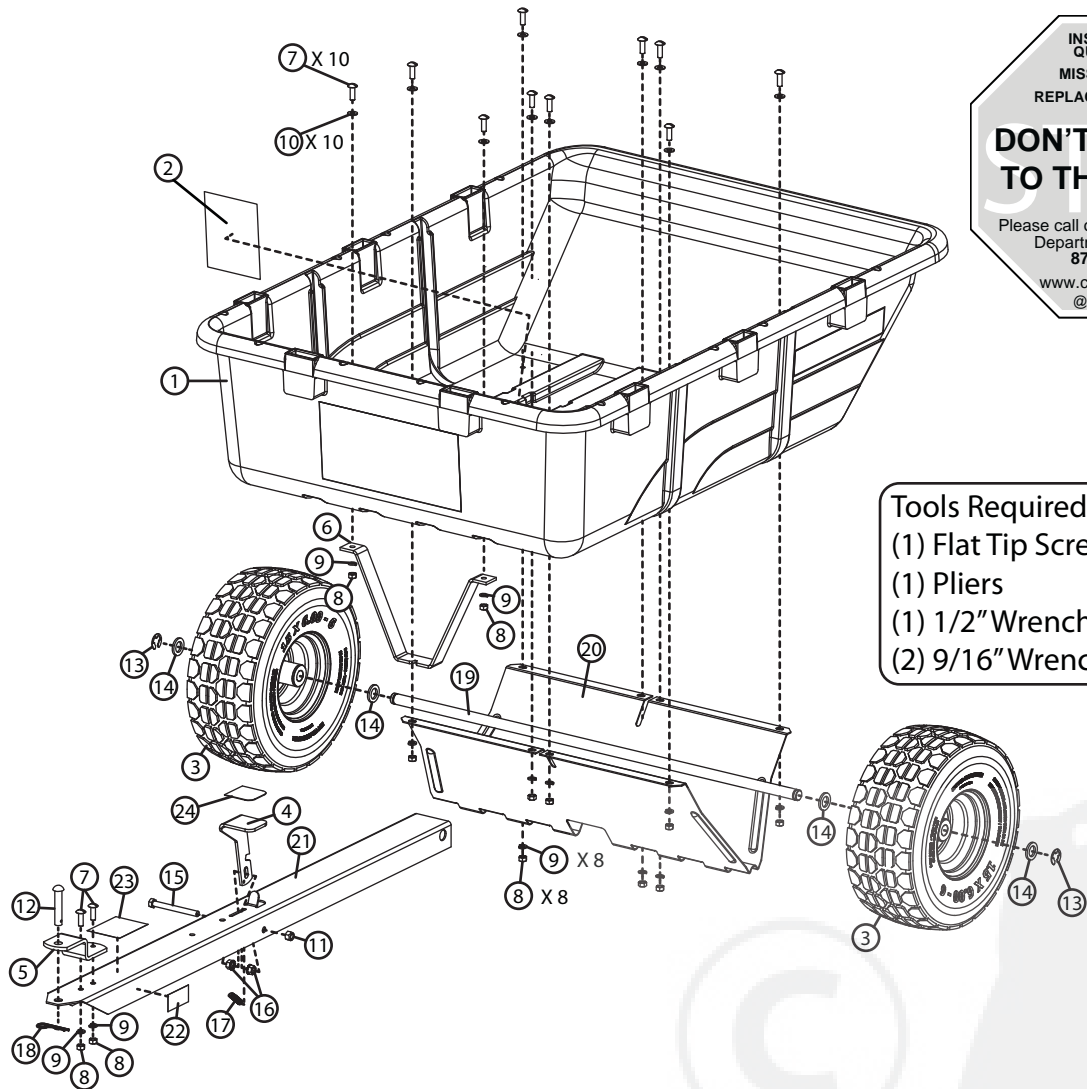
- Do not carry passengers.
- Do not let anyone, especially children, ride in/on this attachment, the towing vehicle or hitch bracket. Riders are subject to injury such as being struck by foreign object and/or being thrown off during sudden starts, stops and turns. Riders may also obstruct the operator's view resulting in this attachment being operated in an unsafe manner.

POLY CART SPECIFIC SAFETY INSTRUCTIONS

- Do not tow cart with bed raised



COMPONENT VIEW AND REFERENCE LIST



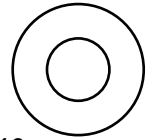
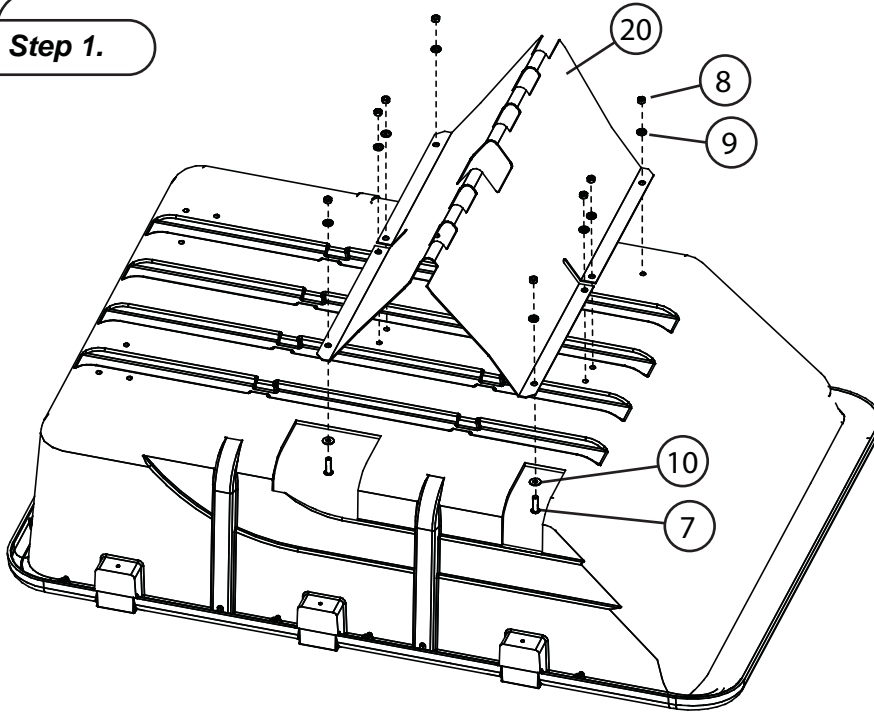
INSTALLATION
QUESTIONS?
MISSING PARTS?
REPLACEMENT PARTS?
**DON'T GO BACK
TO THE STORE!**
Please call our Customer Service
Department Toll-Free at
877.728.8224
or
www.customerservice
@brinly.com

Tools Required:
(1) Flat Tip Screw Driver
(1) Pliers
(1) 1/2" Wrench
(2) 9/16" Wrenches

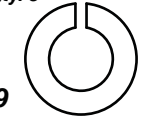
REF	PART NO.	DESCRIPTION	QTY	REF	PART NO.	DESCRIPTION	QTY
1	1008574	Poly Bed	1	13	B-4305	"E" Ring, 3/4"	2
2	B-7084	Warning Label	1	14	B-5606	Machine Bushing	4
3	1008575	Wheel	2	15	B-6298	Hex Hd Bolt, 3/8" X 3-3/4"	1
4	1008604	Foot Pedal	1	16	B-6299	Keps Hex Nut, 3/8"	2
5	B-3034-10	Clevis	1	17	B-6300	Latch Spring	1
6	B-3520-10	Lock Bracket	1	18	D-146P	Hairpin Cotter, 1/8"	1
7	20M1016P	Rd. Hd. Screw, 5/16" X 1"	12	19	B-4261	Axle, 3/4" X 34-3/4"	1
8	30M1000P	Hex Nut, 5/16"	12	20	B-4599-10	Axle Support	1
9	40M1000P	Lock Washer, 5/16"	12	21	B-6296-2	Towbar	1
10	45M1111P	Flat Washer, 5/16"	10	22	L-1744	Serial Number Label	1
11	B-1675P	Hex Lock Nut, 3/8"	1	23	B-5482	Caution Decal	1
12	B-3861	Hitch Pin, 1/2" X 2-1/2"	1	24	1008603	Grip Tape	1

ASSEMBLY

Step 1.



10
Flat Washer, 5/16"
Qty. 8



9
Lock Washer, 5/16"
Qty. 8

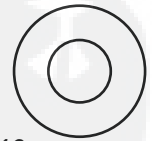
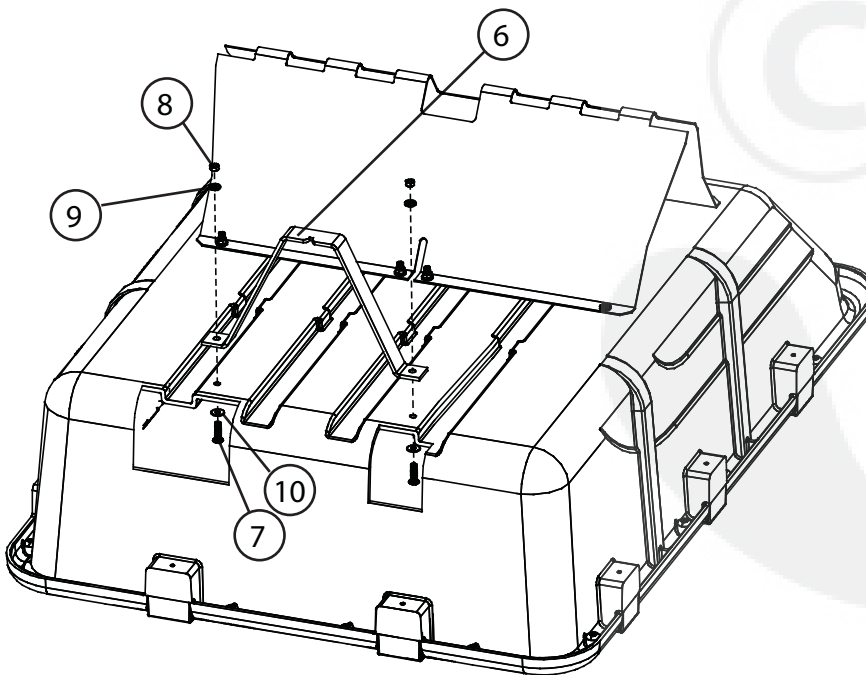


8
Hex Nut, 5/16"
Qty. 8



7
Round Head Screw, 5/16" x 1"
Qty. 8

Step 2.



10
Flat Washer, 5/16"
Qty. 2



9
Lock Washer, 5/16"
Qty. 2



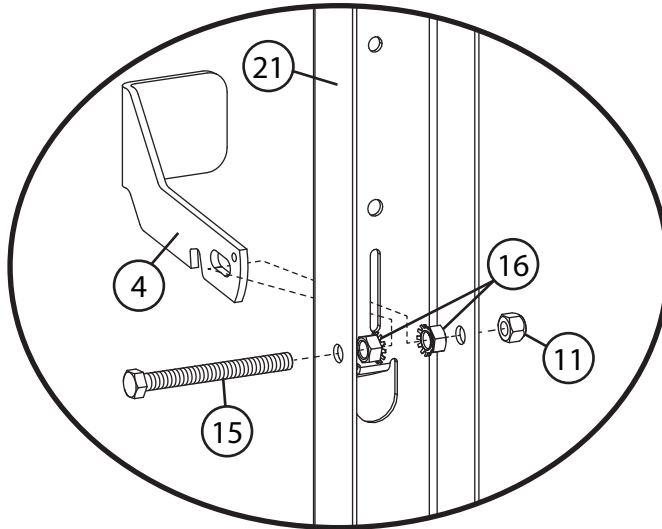
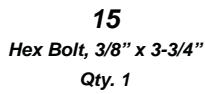
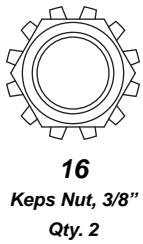
8
Hex Nut, 5/16"
Qty. 2



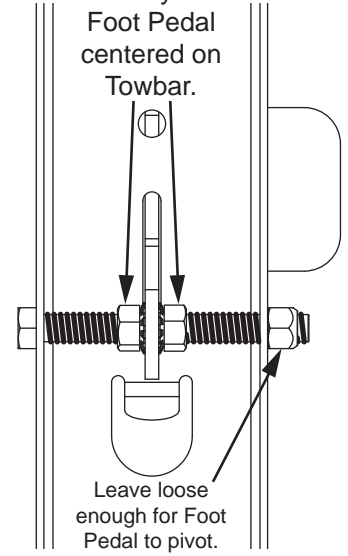
7
Round Head Screw, 5/16" x 1"
Qty. 2

ASSEMBLY

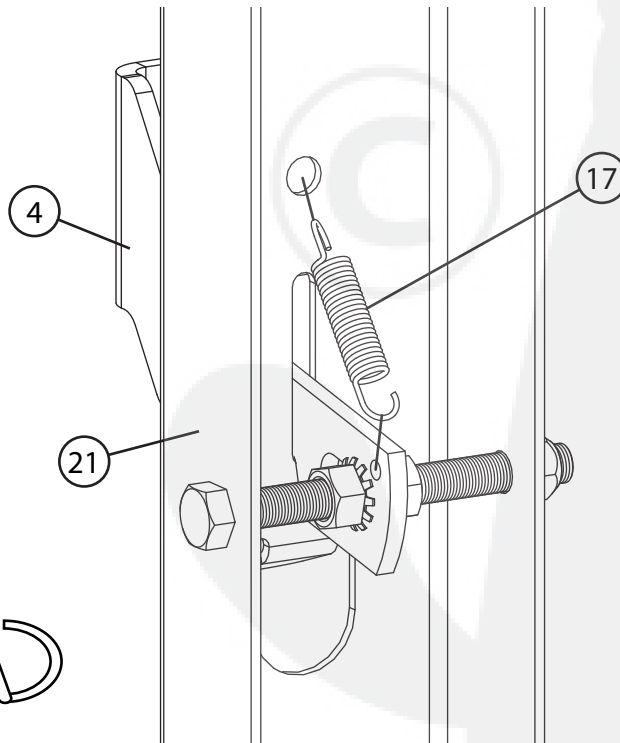
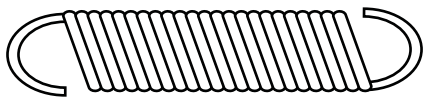
Step 3.



Tighten
securely with
Foot Pedal
centered on
Towbar.



Step 4.



ASSEMBLY

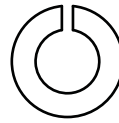
Step 5.



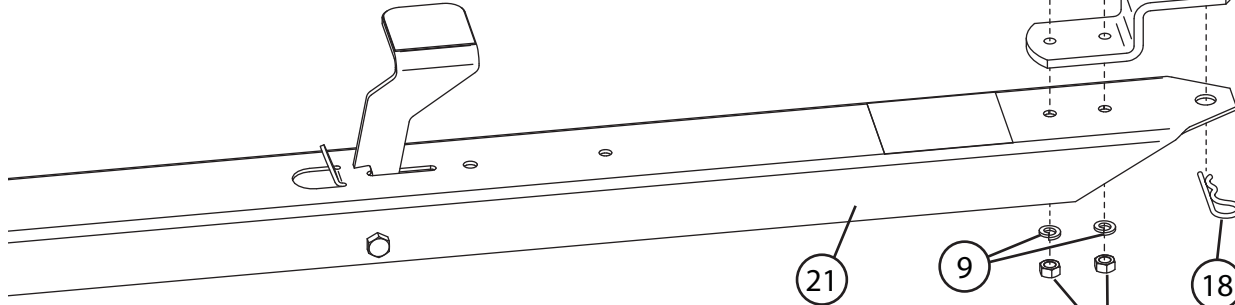
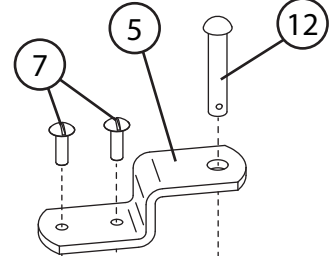
7
Round Head Screw, 5/16" X 1"
Qty. 2



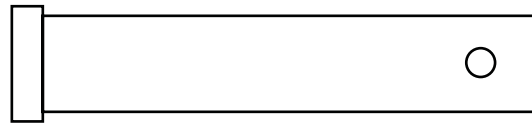
8
Hex Nut, 5/16"
Qty. 2



9
Lock Washer, 5/16"
Qty. 2



18
Hair Pin Cotter, .080
Qty. 1

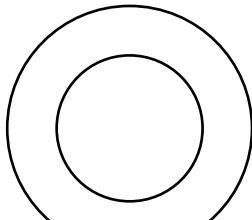


12
Hitch Pin
Qty. 1

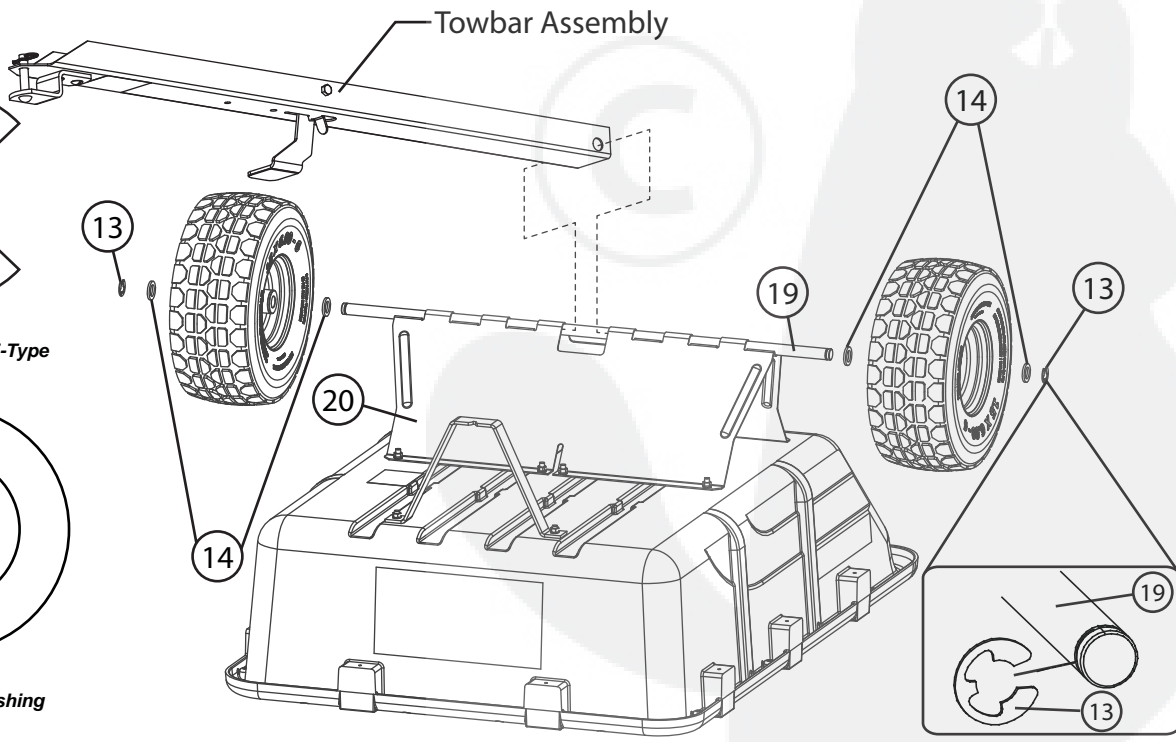
Step 6.



13
Retaining Ring, E-Type
Qty. 2



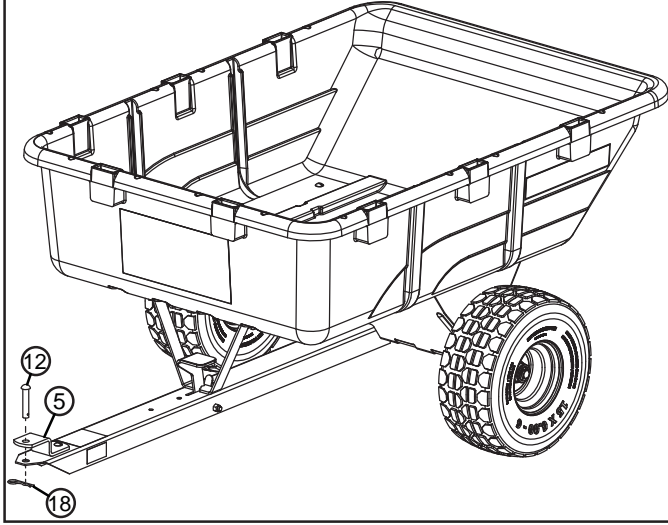
14
3/4" Machine Bushing
Qty. 4



OPERATION, SERVICE AND STORAGE

OPERATION

INSTALLING YOUR CART



CAUTION: Avoid Injury! Keep body parts away from under Drawbar and Bed.

1. Park towing vehicle safely using the parking brake (see towing vehicle operator's manual).
2. Align Cart Clevis (5) with towing vehicle hitch plate.
3. Install Hitch Pin (12) through Clevis (5) and towing vehicle hitch plate. Secure Hitch Pin (12) with Hairpin Cotter (18).

USAGE

Cart Weight

The following maximum loaded weight capacity is the weight of the Cart plus the maximum weight loaded into the Cart Bed:

Model	Weight
PCT-101BH	75 lbs (empty)
Maximum capacity	650 lbs

Maximum Towed Weight	725 lbs

CAUTION: Weight of towing vehicle and operator **MUST BE MORE** than the weight of cart and load.

Example:

If Towing Vehicle weighs:	500 lbs
Add Your Weight:	200 lbs

Combined Weight Equals:	700 lbs

To maintain stability using the cart in this example, you cannot safely tow more than 700 lb (or 625 lbs of material) without first adding ballast to the towing machine.

Use correct number of weights on towing vehicle. If additional weight is required, add this weight at or forward of the rear wheels. Additional weight rearward of rear wheels causes a negative affect on vehicle steering.

Observe terrain and take care when loading the cart bed. Risk is increased on slippery, uneven or sloped terrain. An unsafe load on dry, level ground may cause the tractor to lose traction and skid on slippery or sloped ground.

Keep riders out of cart.

CART SPECIFICATIONS

- Maximum speed is 5 mph.
- Tire pressure should be maintained at 30 psi (maximum).
- Maximum load for cart is 650 lbs.

Avoid overfilling the cart. This can cause the towing vehicle to lose traction and skid. The towing vehicle and operator combined weight **MUST BE** more than loaded cart weight for **PROPER** towing and braking.

Extremely heavy loads will be difficult to dump. Fill cart to a capacity that is comfortable for you to dump.

DUMPING LOAD

CAUTION: Take care when dumping the Bed. An unevenly distributed load in the Bed could cause the Bed to dump quickly (Example: load set at rear of cart).

CAUTION: To avoid injury, never disengage Foot Pedal with hand. Always use foot to disengage Foot Pedal while keeping body parts clear of bed.

CAUTION: Avoid Injury! Keep body parts away from under Bed when dumping or closing.

To Dump Cart:

1. Park towing vehicle safely and set the parking brake (see towing vehicle operator's manual).
2. Depress Foot Pedal with foot.
3. Raise the bed carefully into the full dump position.
4. Once empty, close Bed fully onto the Drawbar. Keep body parts from under the Bed when closing. Confirm Foot Pedal has engaged with the Bed Lock Bar.

REMOVING YOUR CART

CAUTION: Avoid Injury! Keep body parts away from under Drawbar. Do not attempt to disconnect Cart from towing vehicle with weight in the Bed.

1. Park towing vehicle safely and set the parking brake (see towing vehicle operator's manual).
2. Confirm Bed is not loaded.
3. Remove Hairpin Cotter (18) and Hitch Pin (12) from Clevis (5).
4. Push Cart away from the towing vehicle.
5. Reinstall Hitch Pin (12) and Hairpin Cotter (18) to Clevis (5) for storage.

SERVICE AND STORAGE

MAINTENANCE

The key to years of trouble-free service is to keep your Cart clean and dry.

After the first 30 minutes of use, check all fasteners for tightness. Thereafter, periodically check all fasteners for tightness.

Unauthorized modifications to the cart may impair its function and safety.

Occasionally check all moving parts for free movement and, if necessary, lubricate with oil.

For rust appearing on painted surfaces, sand lightly and paint affected area with enamel.

Wheels are fitted with oil impregnated bushings. If additional lubrications is needed, grease can be applied through the zerk grease fitting located on the inside of the rim.

STORAGE

Cart should be stored in a dry place.

Cart should be stored with Bed closed and locked in position.

Drawbar is a trip hazard. Avoid leaving Drawbar in aisle ways and walking paths.

MANUFACTURER'S LIMITED WARRANTY FOR



The limited warranty set forth below is given by Brinly-Hardy Company with respect to new merchandise purchased and used in the United States, its possessions and territories.

Brinly-Hardy Company warrants the products listed below against defects in material and workmanship, and will at its option, repair or replace, free of charge, any part found to be defective in materials or workmanship. This limited warranty shall only apply if this product has been assembled, operated, and maintained in accordance with the Operator's manual furnished with the product, and has not been subject to misuse, abuse, commercial use, neglect, accident, improper maintenance, alteration, vandalism, theft, fire, water, or damage because of other peril or natural disaster.

Normal Wear Parts or components thereof are subject to separate terms as follows: All normal wear parts or component failures will be covered on the product for a period of 90 days.

Parts found to be defective within the warranty period will be replaced at our expense. Our obligation under this warranty is expressly limited to the replacement or repair, at our option, of parts found to be defective in material and workmanship.

HOW TO OBTAIN SERVICE: Warranty parts replacements are available, **ONLY WITH PROOF OF PURCHASE**, through our Pull Behind Accessories Customer Service Department. Call 877-728-8224.

This limited warranty does not provide coverage in the following cases:

- a) Routine maintenance items such as lubricants and filters.
- b) Normal deterioration of the exterior finish due to use or exposure.
- c) Transportation and/or labor charges.
- d) The warranty does not include rental use.

No implied warranty, including any implied warranty of merchantability of fitness for a particular purpose, applies after the applicable period of express written warranty above as to the part as identified below. No other express warranty

whether written or oral, except as mentioned above, given by any person or entity, including a dealer or retailer, with respect to any product, shall bind Brinly-Hardy Co. During the period of the warranty, the exclusive remedy is repair or replacement of the product as set forth above. The provisions as set forth in this warranty provide the sole and exclusive remedy arising from the sale. Brinly-Hardy Co. shall not be liable for incidental or consequential loss or damage including, without limitation, expenses incurred for substitute or replacement lawn care services or for rental expenses to temporarily replace a warranted product.

Some states do not allow the exclusion or limitation of incidental or consequential damages, or limitations on how long an implied warranty lasts, so the above exclusions or limitations may not apply to you.

During the warranty period, the exclusive remedy is replacement of the part. In no event shall recovery of any kind be greater than the amount of the purchase price of the product sold. Alteration of safety features of the product shall void this warranty. You assume the risk and liability for loss, damage, or injury to you and your property and/or to others and their property arising out of the misuse or inability to use this product.

This limited warranty shall not extend to anyone other than the original purchaser or to the person for whom it was purchased as a gift.

HOW STATE LAW RELATES TO THIS WARRANTY: This limited warranty gives you specific legal rights, and you may also have other rights which vary from state to state.

IMPORTANT: The Warranty period stated below begins with the **PROOF OF PURCHASE**. Without the proof of purchase, the Warranty period begins from the date of manufacture determined by the serial number manufacturing date.

WARRANTY PERIOD:

The warranty period for the product shown in this manual is as follows: Steel Frame Parts: consumer - 2 Years, commercial - 90 days. Tires and Wheels are normal wear parts - 90 days.





