

SINCE 1839

BRINLY

SINCE 1839

BRINLY

OWNER'S MANUAL

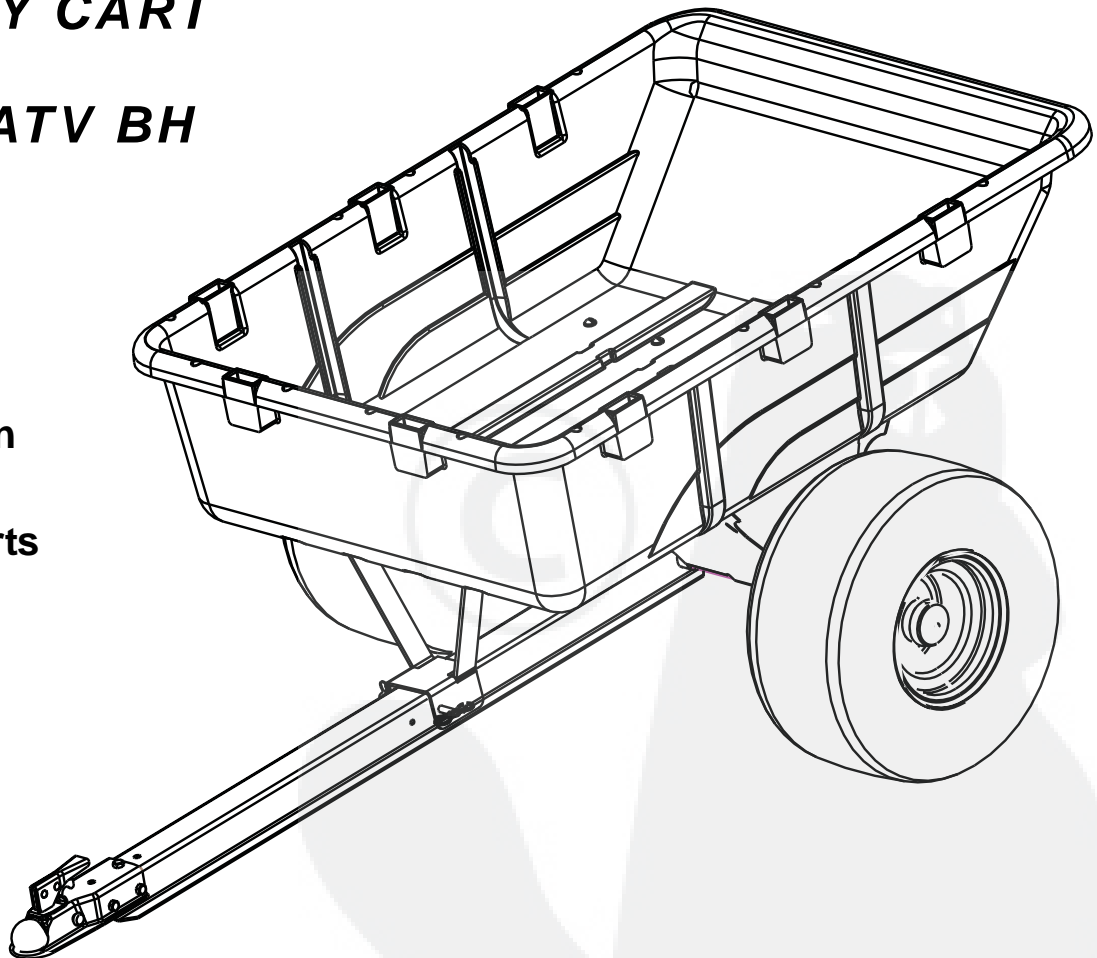
ATV POLY CART

CART MODEL:

PCT-LX ATV BH

- **Assembly**
- **Installation**
- **Operation**
- **Repair Parts**

For use with ATV.



For the latest product updates & setup tips:

Visit us on the web!
www.brinly.com

Important: This manual contains information for the safety of persons and property. Read it carefully before assembly and operation of the equipment!

L-1739-B

INTRODUCTION

CONGRATULATIONS on your new Brinly-Hardy ATV Cart! Your Cart has been designed, engineered and manufactured to give you the best possible dependability and performance.

Should you experience any problem you can not easily remedy, please do not hesitate to contact our knowledgeable customer service department toll-free at 1-877-728-8224. We have competent, well trained technicians to assist you.

CUSTOMER RESPONSIBILITIES

Please read and retain this manual. The instructions enables you to assemble and maintain your lawn roller properly. And please, always observe the "Safety" instructions.

TABLE OF CONTENTS

SAFETY	3
PARTS REFERENCE	4
PARTS LIST	5
ASSEMBLY	6-8
OPERATION	9
SERVICE	10
WARRANTY.....	Back Page

PRODUCT IDENTIFICATION

PRODUCT COMPATIBILITY

This lawn sweeper is designed for use with lawn tractors and lawn and garden tractors.

RECORD PURCHASE INFORMATION

Record your purchase information in the spaces provided below.

DATE OF PURCHASE: _____

COMPANY NAME: _____

COMPANY PHONE: _____

SERIAL NUMBER: _____

SAFETY LABELS

UNDERSTANDING THE MACHINE SAFETY LABELS



Safety-Alert Symbol

The machine safety labels shown in this section are placed in important areas on your machine to draw attention to potential safety hazards.

On your machine safety labels, the words DANGER, WARNING, and CAUTION are used with this safety-alert symbol. DANGER identifies the most serious hazards.

The operator's manual also explains any potential safety hazards whenever necessary in special safety messages that are identified with the word, CAUTION, and the safety-alert symbol.

⚠ CAUTION

TO HELP PREVENT BODILY INJURY DUE TO LOSS OF STABILITY OR CONTROL

- Do not exceed maximum towing capacity of towing vehicle listed in the vehicle operator's manual
- Do not exceed the maximum cart load capacity listed in the cart operator's manual
- Reduce loaded cart weight on slopes and/or slippery surfaces
- Do not exceed 30mph (48 kph) when towing cart
- Cart is not intended for use on highways or public roads

⚠ ATTENTION

POUR ÉVITER LES BLESSURES CAUSÉES PAR UNE PERTE DE STABILITÉ OU DE CONTRÔLE

- Ne pas dépasser la capacité de remorquage maximum du véhicule remorqueur indiquée dans le livret d'entretien du véhicule
- Ne pas dépasser la capacité de charge maximum du chariot
- Réduire la charge du chariot sur les pentes et/ou les surface glissantes
- Ne pas dépasser 30mph (48 km/h) lors du remorquage du chariot
- Le chariot n'est pas prévu pour l'utilisation sur voie publique

⚠ WARNING

RIDERS CAN FALL OFF AND BE KILLED

- No riders in cart or on tongue

⚠ AVERTISSEMENT

LES PASSAGERS RISQUENT DE TOMBER ET D'ÊTRE TUÉS

- Passagers interdits dans le chariot ou sur le timon

M153405 S



SAFETY

Please read and retain this manual. The instructions will enable you to assemble and maintain your cart properly. And please, always observe the "Safety Rules".

Read the general safety operating precautions in your towing vehicle operator's manual for additional safety information.

OPERATE SAFELY

Use this machine for intended purpose only.

This machine is intended for use in lawn care and home applications. Do not tow behind a vehicle on a highway or in any high speed applications. Do not tow at speeds higher than maximum recommended towing speed.

Towing speed should always be slow enough to maintain control. Travel slowly over rough ground.

Do not let children or an untrained person operate machine.

Do not let anyone, especially children, ride on this machine or the towing vehicle. Riders are subject to injury such as being struck by foreign objects and being thrown off. Riders may also obstruct the operator's view, resulting in this machine being operated in an unsafe manner. Check towing vehicle brake action before you operate. Adjust or service brakes as necessary.

Keep all parts in good condition and properly installed. Fix damaged parts immediately. Replace worn or broken parts. Replace all worn or damaged safety and instruction decals. Do not modify the machine or safety devices. Unauthorized modifications to the towing vehicle or machine may impair its function and safety, and void the warranty.

Keep all nuts, bolts and screws tight.

SAFETY RULES

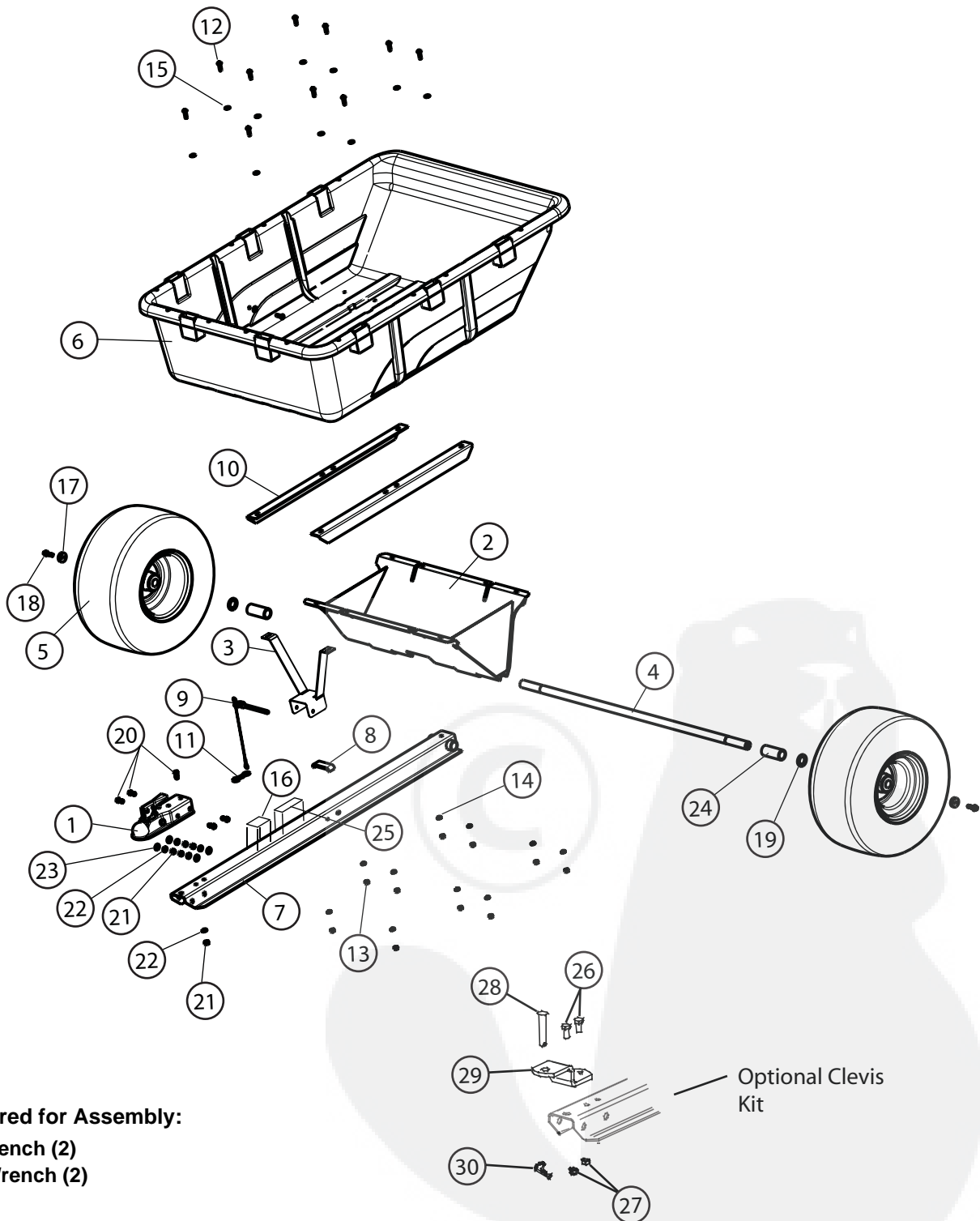
- Know controls and how to stop safely, READ THE ATV OWNER'S MANUAL before operating.
- Do not allow children to operate the vehicle, do not allow adults to operate without proper instruction or without having read the owner's manual.
- Do not carry passengers. Keep children and pets a safe distance away.
- Always wear substantial footwear. Do not wear loose fitting clothing that can get caught in moving parts.
- Use only approved hitches. Tow only with a machine that has a hitch designed for towing. Do not attach this machine except at the approved hitch point.
- Keep your eyes and mind on your ATV and attachment. Do not let other interests distract you.
- Stay alert for holes in the terrain and other hidden hazards.
- Do not drive close to creeks, ditches and public highways.
- Watch out for traffic when crossing or near roadways
- When using any attachment, don't allow anyone near the vehicle while in operation.
- Before you operate any feature of this machine, observe your surroundings and look for bystanders.
- Keep all nuts, bolts and screws tight to be sure the equipment is in safe working condition.
- The vehicle and attachment should be stopped and inspected for damage after striking a foreign object. The damage should be repaired before restarting and operating the equipment.
- The weight of the ATV and operator MUST BE MORE than the weight of the cart and load.
- When backing - carefully back straight to avoid jackknifing, which could result in damage to equipment.
- Maximum load is 700 lbs.
- Maximum speed - 20 mph.
- Maintain cart tires inflated to 10 psi.
- Use only approved hitches. A 1-7/8" Ball is required for this attachment.
- This attachment is intended for lawn care and other off road use. Do not tow behind a vehicle on a highway.
- Avoid tipping and skidding.
- Avoid holes, rocks and roots.
- Slow down before you turn.
- DO NOT make a sharp turns that cause ATV tires to rub cart drawbar.
- DO NOT tow cart with bed raised.
- Keep riders out of cart.
- Riders in cart are subject to injury, such as being struck by objects and being thrown off the cart during sudden starts, stops and turns.
- Riders obstruct the operator's view, resulting in the cart being used in an unsafe manner.
- Keep riders off of hitch bracket.

Keep Body Parts From Under Drawbar

- Before you disconnect this cart from towing vehicle hitch plate:
 - Stop on level ground.
 - Stop towing vehicle engine.
 - Lock towing vehicle park brake.
 - Block wheels of the machine.
- Make sure body parts are not under drawbar.

PARTS REFERENCE

EXPLODED VIEW



Tools Required for Assembly:

- 1/2" Wrench (2)
- 9/16" Wrench (2)
- Pliers
- Safety Glasses
- Gloves

PARTS REFERENCE

PARTS LIST

REF NO.	PART NO.	DESCRIPTION	QTY.
1.	B-6611	Hitch Coupler, 1-7/8"	1
2.	B-6617-10	Axle Support	1
3.	B-7115-10	Bed Bracket	1
4.	B-6613-1	Axle	1
5.	B-6604-SB2	Wheel Assembly	2
6.	B-6712	Poly Bed	1
7.	B-6609-10	Towbar	1
8.	M66382-A	Pad, 60 Duro-Neoprene	1
9.	B-6614	Pin/Lanyard Assembly	1
10.	B-6619-10	Angle Reinforcement	2
11.	B-6680	Cotter, Bow Tie	1
12.	20M1016P	5/16" x 1" Rnd Hd Machine Screw	10
13.	30M1000P	5/16"-18 Reg Hex Nut	10
14.	40M1000P	5/16" Med Lock Washer	10
15.	45M1111P	5/16" SAE Flat Washer	10
16.	B-6679	Decal - Caution	1
17.	B-6706-01	Thick Washer	2
18.	B-6707	Screw, Flange Head 5/16" x 1-1/8"	2
19.	V-886	1" Machine Bushing	2
20.	2M1212P	Hex Bolt, 3/8" x 3/4"	5
21.	30M1200P	3/8" Reg Hex Nut	5
22.	40M1200P	Washer, Lock 3/8"	5
23.	45M1313P	Washer, Flat 3/8"	4
24.	B-6676-1	Spacers, Wheel	2
25.	B-6683	Decal, Warning	1
26.	2M1216P	Bolt, Hex 3/8" x 1"	2
27.	B-1675P	Nut, Hex Lock 3/8"	2
28.	B-4870-01	Drawbar Pin	1
29.	B6592-10	Drawbar Clevis	1
30.	D-146	Cotter, Hairpin 1/8"	1

**INSTALLATION
QUESTIONS?**
MISSING PARTS?
REPLACEMENT PARTS?

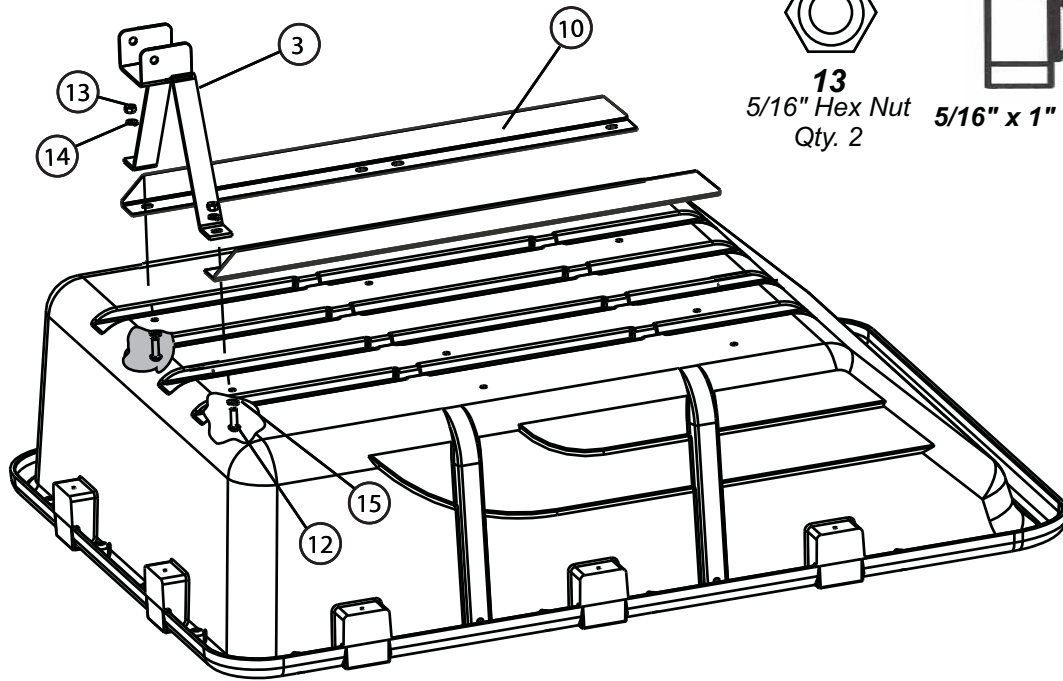
STOP

Please call our Customer Service
 Department Toll-Free at
877.728.8224
 or email
 customerservice
 @brinly.com

To Order Parts Call:
877-728-8224
 Visit us on the web:
www.brinly.com

ASSEMBLY

Figure 1.



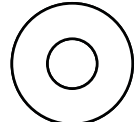
13
5/16" Hex Nut
Qty. 2



12
5/16" x 1" RD HD Mach. Screw
Qty. 2

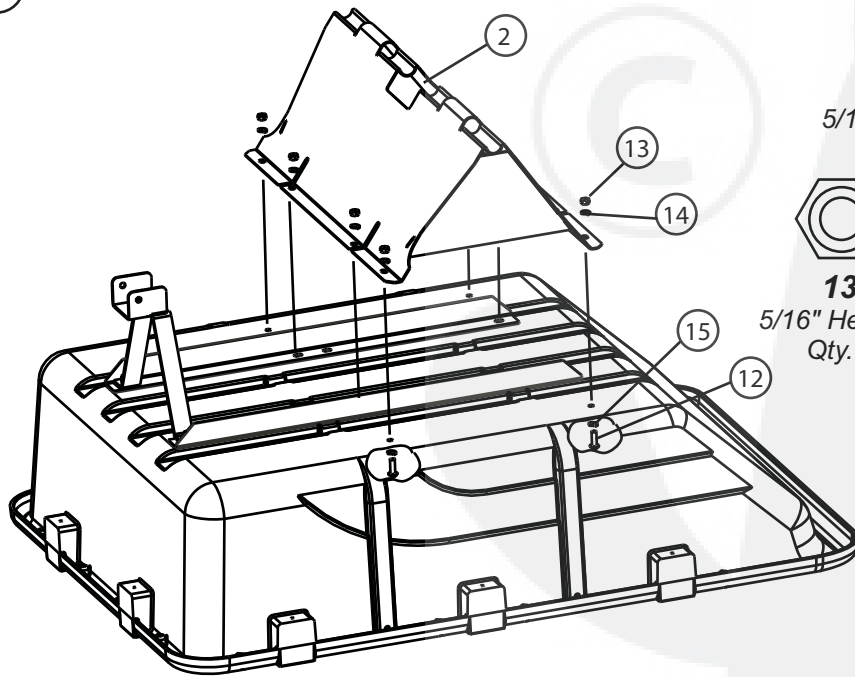


14
5/16" Lock Washer
Qty. 2



15
5/16" Flat Washer
Qty. 2

Figure 2.



12
5/16x 1" RD HD Mach. Screw
Qty. 8



13
5/16" Hex Nut
Qty. 8



14
5/16" Lock Washer
Qty. 8



15
5/16 Flat Washer
Qty. 8

ASSEMBLY

Figure 3.

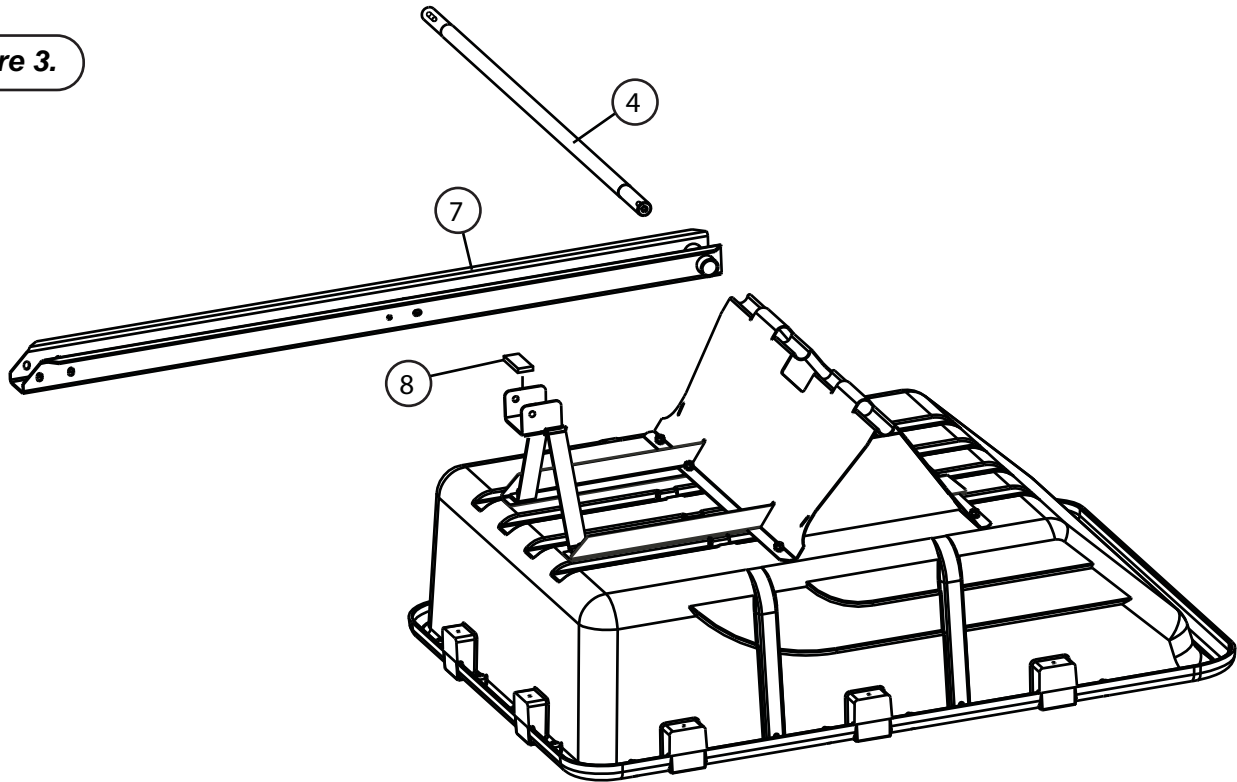
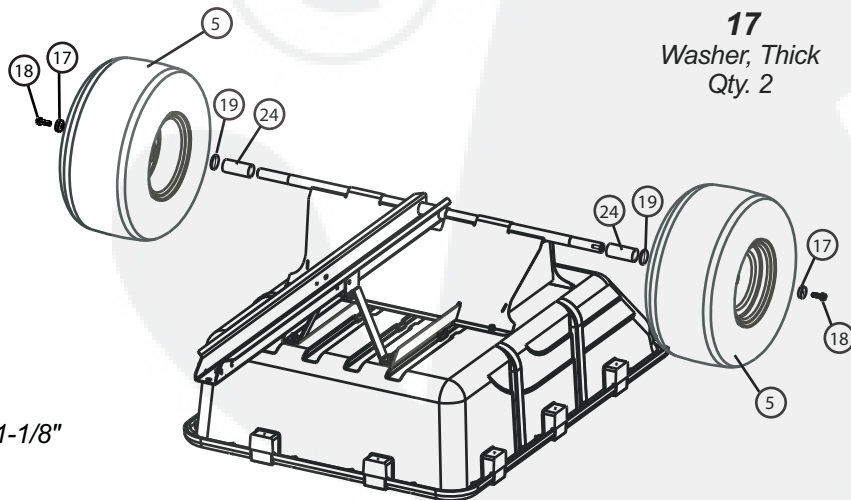
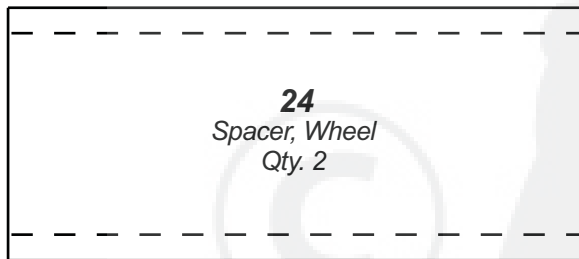
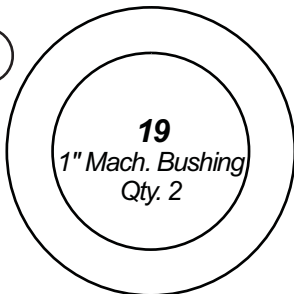


Figure 4.



ASSEMBLY

Figure 5.

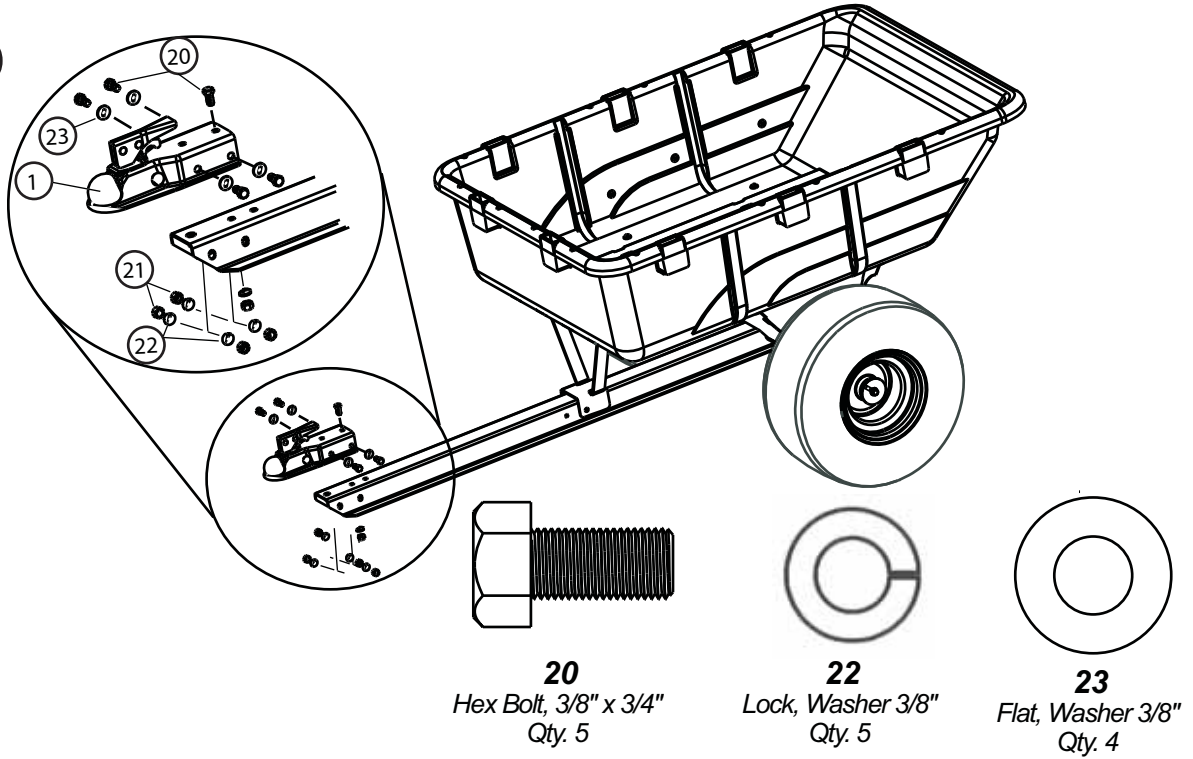
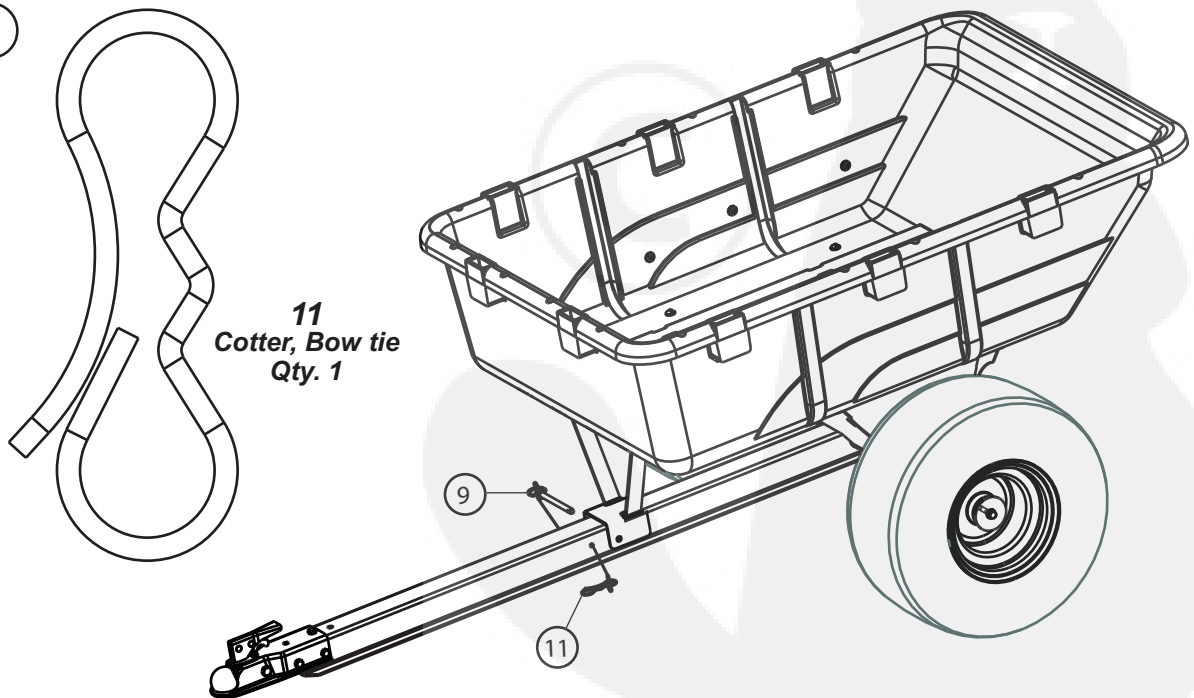


Figure 6.

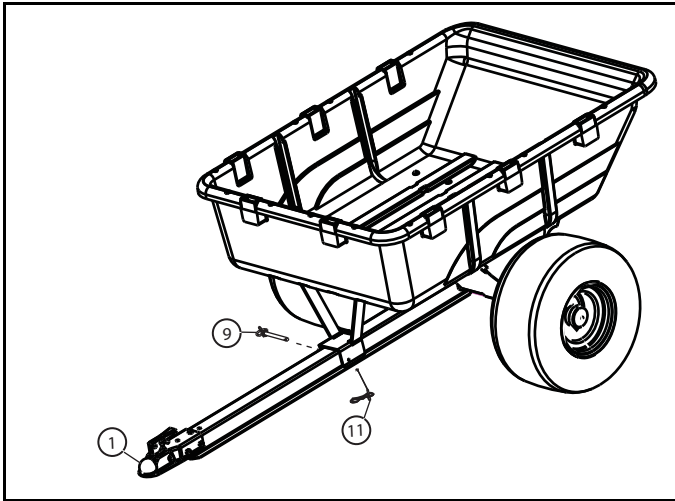


OPERATION

Installing Cart



CAUTION: Avoid injury! Before installing cart, make sure lock bar is locked.



1. Secure cart lock bar in place by inserting Pin/Lanyard Assembly (9) and secure with Bow Tie Cotter (11).
2. Park machine safely. (See Towing Machine manual.)
3. Align cart drawbar with towing machine drawbar.
4. Attach cart drawbar to towing vehicle by mounting Hitch Coupler (1) to an approved 1-7/8" ball hitch on the towing vehicle.

Removing Cart



CAUTION: Avoid injury! Before installing cart, make sure lock bar is locked.

Note: Refer to illustrations in the Installing Section, earlier in this manual.

1. Park machine safely. (See Towing Machine manual.)
2. Unload cart before disconnecting hitch coupler from tractor.



CAUTION: Avoid injury! Keep feet away from under drawbar..

Remove 1-7/8" Hitch Coupler from towing vehicle

3. Push cart away from machine. Block cart wheels.
4. Install drawbar pin and cotter pin in cart drawbar for storage.

Operating

Determining Weight for Cart



CAUTION: Avoid injury! Excessive towed load can cause loss of traction and loss of control on slopes. Stopping distance increases with speed and weight of towed load..

Total towed weight must not exceed combined weight of pulling machine, ballast and operator.

The following maximum loaded cart weight capacity is the average weight loaded with dry sand leveled with the top of the cart.

Model Cart	Weight Capacity
PCT-10LX ATV BH	700 lbs. load 770 lbs. Towed Weight



CAUTION: Avoid injury! If additional weight is required when towing a cart, add weight at or forward of the rear wheels. Adding weight behind the rear wheels can affect machine steering. Refer to your towing machine manual.

Towing cart capacity will vary with weight of towing machine and operator. Add the weight of your machine to operator weight to find the maximum capacity of the towing cart.

Example:

If Towing Machine Weighs:	500 lbs.
Add Your Weight:	200 lbs.
Combined Weight Equals:	700 lbs.

To maintain stability using the cart in this example, you cannot safely tow more than 600 lbs. without first adding additional ballast to the towing machine.

Unloading Cart

1. Park machine safely. (See Towing Machine manual.)



CAUTION: Avoid Injury! Before dumping cart: Park machine safely.(See towing machine manual). Before backing up, make sure area is clear of bystanders,especially children Evenly distribute load before releasing lock bar. Use Caution when releasing lock bar with Divider and Tool Tray installed in Cart.

2. Remove Bow Tie Cotter (11) and Pin/Lanyard Assembly (9).
3. Tilt cart box back to unload cart.
4. Push cart back into towing position, secure cart lock bar in place by inserting Pin/Lanyard Assembly (9) and secure with Bow Tie Cotter (11).

SERVICE

MAINTENANCE

Lubricating Wheel Bearings

Lubricate each wheel bearing with multipurpose grease or an equivalent.

SPECIFICATIONS

Maximum Towing Speed	30 mph
Box Capacity (Heaped)	10 cu.ft.
Maximum Load	700 lbs.
Empty Weight	113.5 lbs.
Maximum Tongue Weight	70 lbs.
Maximum Tongue Weight - Empty	70 lbs.

Note: Refer to towing vehicle Operator's Manual for tongue load allowed.

Tires

Size	15 x 6
Inflation Pressure	14 psi

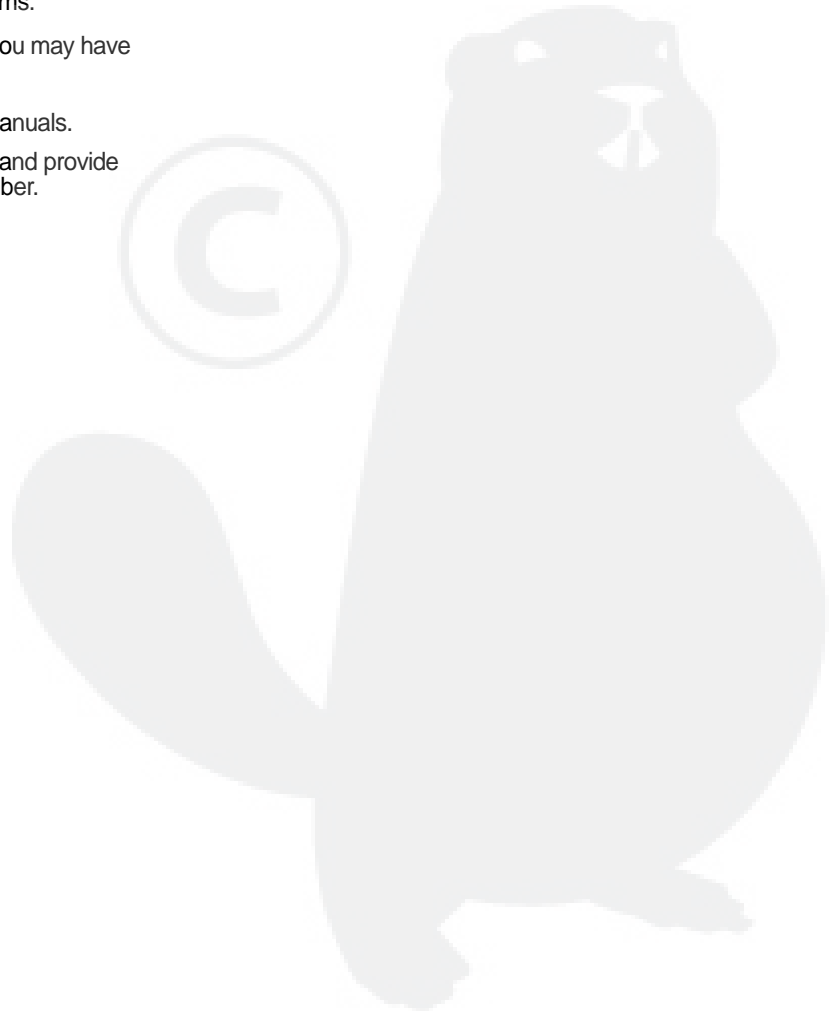
Getting Quality Service

Quality Continues with Quality Service

We provide a process to handle your questions or problems.

Follow the steps below to get answers to any questions you may have about your product.

1. Refer to your attachment and machine operator manuals.
2. In North America or Canada, call 1-877 728-8224 and provide product serial number(if available) and model number.



NOTES



**MANUFACTURER'S LIMITED WARRANTY
FOR**



Pull Behind Accessories

The limited warranty set forth below is given by Brinly-Hardy Company with respect to new merchandise purchased and used in the United States, its possessions and territories.

Brinly-Hardy Company warrants the products listed below against defects in material and workmanship, and will at its option, repair or replace, free of charge, any part found to be defective in materials or workmanship. This limited warranty shall only apply if this product has been assembled, operated, and maintained in accordance with the Operator's manual furnished with the product, and has not been subject to misuse, abuse, commercial use, neglect, accident, improper maintenance, alteration, vandalism, theft, fire, water, or damage because of other peril or natural disaster.

Normal Wear Parts or components thereof are subject to separate terms as follows: All normal wear parts or component failures will be covered on the product for a period of 90 days.

Parts found to be defective within the warranty period will be replaced at our expense. Our obligation under this warranty is expressly limited to the replacement or repair, at our option, of parts found to be defective in material and workmanship.

HOW TO OBTAIN SERVICE: Warranty parts replacements are available, **ONLY WITH PROOF OF PURCHASE**, through our Pull Behind Accessories Customer Service Department. Call 877-728-8224.

This limited warranty does not provide coverage in the following cases:

- a) Routine maintenance items such as lubricants and filters.
- b) Normal deterioration of the exterior finish due to use or exposure.
- c) Transportation and/or labor charges.
- d) The warranty does not include commercial and/or rental use.

No implied warranty, including any implied warranty of merchantability of fitness for a particular purpose, applies after the applicable period of express written warranty above as to the part as identified below. No other express warranty whether written or oral, except as mentioned above, given by any person or entity, including a dealer or retailer, with respect to any product, shall bind Brinly-Hardy Co. During the period of the warranty, the exclusive remedy is repair or replacement of the product as set forth above.

The provisions as set forth in this warranty provide the sole and exclusive remedy arising from the sale. Brinly-Hardy Co. shall not be liable for incidental or consequential loss or damage including, without limitation, expenses incurred for substitute or replacement lawn care services or for rental expenses to temporarily replace a warranted product.

Some states do not allow the exclusion or limitation of incidental or consequential damages, or limitations on how long an implied warranty lasts, so the above exclusions or limitations may not apply to you.

During the warranty period, the exclusive remedy is replacement of the part. In no event shall recovery of any kind be greater than the amount of the purchase price of the product sold. Alteration of safety features of the product shall void this warranty. You assume the risk and liability for loss, damage, or injury to you and your property and/or to others and their property arising out of the misuse or inability to use this product.

This limited warranty shall not extend to anyone other than the original purchaser or to the person for whom it was purchased as a gift.

HOW STATE LAW RELATES TO THIS WARRANTY: This limited warranty gives you specific legal rights, and you may also have other rights which vary from state to state.

IMPORTANT: The Warranty period stated below begins with the **PROOF OF PURCHASE**. Without the proof of purchase, the Warranty period begins from the date of manufacture determined by the serial number manufacturing date.

LAWN CART WARRANTY PERIOD:

The warranty period for this lawn cart is as follows: Steel Frame Parts – 3 Years, Poly Bed – 2 Years. Tires and Wheels are normal wear parts - 90 days.