

SINCE 1839

BRINLY

SINCE 1839

BRINLY

OWNER'S MANUAL

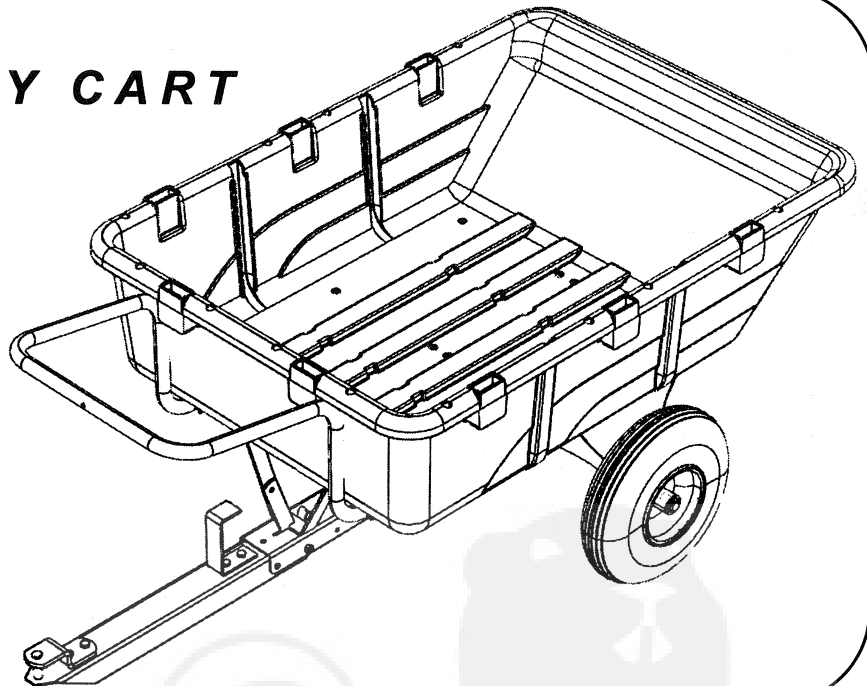
PUSH/TOW POLY CART

MODEL:

PC-100 BH

- Assembly
- Installation
- Operation
- Repair Parts

For use with Riders
and Lawn/Garden Tractors



For the latest product updates and setup tips:

Visit us on the web!
www.brinly.com

Important: This manual contains information for the safety of persons and property. Read it carefully before assembly and operation of the equipment!

L-1689.01


CONGRATULATIONS on your new Brinly-Hardy Cart! Your Cart has been designed, engineered and manufactured to give you the best possible dependability and performance.

Should you experience any problem you can not easily remedy, please do not hesitate to contact our knowledgeable customer service department toll-free at 1-877-728-8224. We have competent, well trained technicians and the proper tools to service or repair your Cart.

Please read and retain this manual. The instructions will enable you to assemble and maintain your Cart properly. And please, always observe the "Safety Rules".

CUSTOMER RESPONSIBILITIES

Read and Observe the "Safety Rules".



This symbol will help to point out important safety precautions throughout this manual. It means - ATTENTION! BECOME ALERT! Your safety is involved.

Follow a regular schedule in maintaining, caring-for and using your Brinly-Hardy Cart.

TABLE OF CONTENTS

SAFETY RULES	2	MAINTENANCE	8
HARDWARE.....	3	OPERATION	8
PARTS LIST	4	PRODUCTS	9
PARTS REFERENCE.....	5	WARRANTY.....	9
ASSEMBLY	6-7		

RULES FOR SAFE OPERATION



- Know your tractor controls and how to stop quickly, READ THE TRACTOR OWNER'S MANUAL.
- Do not allow children to operate the vehicle, do not allow adults to operate without proper instruction or without having read the owner's manual.
- Do not carry passengers. Keep children and pets a safe distance away.
- Always wear substantial footwear. Do not wear loose fitting clothing that can get caught in moving parts.
- Keep your eyes and mind on your tractor/attachment and area being covered. Do not let other interests distract you.
- Stay alert for holes in the terrain and other hidden hazards.
- Do not drive close to creeks, ditches and public highways.
- Watch out for traffic when crossing or near roadways.
- When using any attachment, don't allow anyone near the vehicle while in operation.
- Keep the vehicle and attachment in good operating condition and keep safety devices in place.
- Keep all nuts, bolts and screws tight to be sure the equipment is in safe working condition.
- The vehicle and attachment should be stopped and inspected for damage after striking a foreign object. The damage should be repaired before restarting and operating the equipment.
- See tractor equipment owner's manual for safe operation of the equipment
- When backing - carefully back straight to avoid jack knifing, which could result in damage to equipment.
- Use correct number of weights on tractor. The weight of the tractor and operator MUST BE MORE than the weight of the cart and load.
- Maximum load is 650 lbs.
- DO NOT tow this cart behind a motor vehicle. (Car, Truck, ATV) Max speed 5 mph.
- Maintain cart tires inflated to 30 P.S.I.



OPERATING HINTS

To Dump a load:

1. Stop the tractor, lock the parking brake and stop the engine.
2. Release the lock bar and raise the handle carefully to tilt the bed to the full dump position.

To convert the cart from pull to push(push to pull is reversed)

1. Cart must be empty.
2. Disconnect cart from tractor.
3. Tilt cart without releasing ,lock bar(11).
4. Remove hairpin cotter(30) from clevis pin(26) and remove the clevis pin.
5. Rotate the front towbar assembly(8) 180 degrees towards the axle.
6. Reinstall the clevis pin and cotter(from step 4) in the rear hole. (located on the rear towbar between the 3/8" hex bolt and the axle.

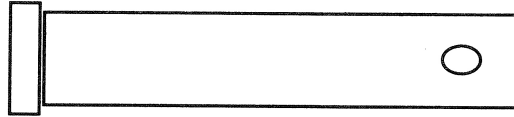
HARDWARE REFERENCE

This page is for reference use only
All items shown full size unless otherwise specified

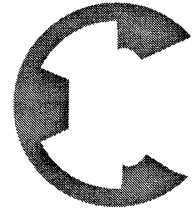
Hardware Bag (Part No. Z-1734)



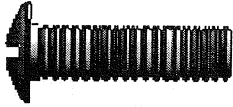
12
(4) 1/4" x 2" RD HD Mach. Screw



22
(10) Hitch Pin (1/2" x 2-1/2" But. HD)



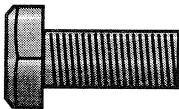
23
(1) Retaining Ring 3/4"



13
(10) 5/16" x 1" RD HD Mach. Screw

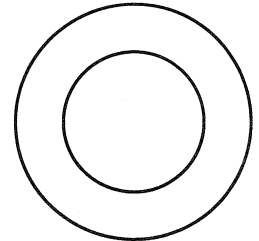


24
(1) 5/16"-18 Nylon Lock Nut

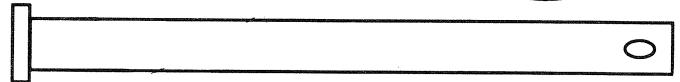


14
(4) 5/16" x 3/4" Hex Bolt

25
(1) 3/4" Mach. Bushing



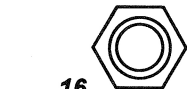
26
(1) Clevis Pin, 5/16" x 3-1/2"



15
(10) 1/4"-20 Reg Hex Nut



27
(1) Hex Bolt, 3/8" x 3-1/2"

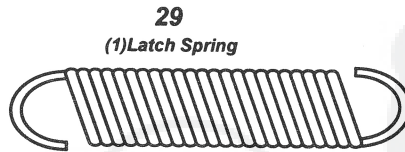


16
(10) 5/16"-18 Reg Hex Nut



28
(2) 3/8"-16 Hex Nut Sems

17
(4) 1/4" Med Lock Washer

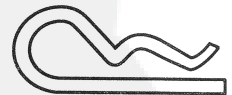


29
(1) Latch Spring

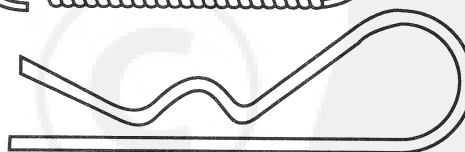
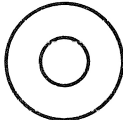
18
(10) 5/16" Med Lock Washer



30
(1) Hair Pin Cotter .08" x 3/16"

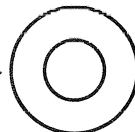


19
(4) 1/4" SAE Flat Washer



31
(1) Hlt. Pin Cotter 1/8"

20
(10) 5/16" SAE Flat Washer



Tools Required for Assembly:

- * 1/2" wrench (2)
- * 9/16" wrench (2)
- * Pliers
- * Flat Head Screwdriver

21
(1) 3/8" Hex Lock Nut



Hardware Bag (Part No. Z-1435-1D)



32
(2) Spacer
(not shown to scale)

Parts Reference

Parts List

REF. NO.	PART NO.	DESCRIPTION	QTY.
1	B-3034-10	Clevis	1
2	B-3308P-10	Axle Support	1
3	B-3520-10	Lock Bracket	1
4	B-4621	Axle	1
5	B-4600	Wheel Assembly	2
6	B-6218-BH	Poly Bed	1
7	B-6219-10	Towbar, Rear	1
8	B-6220-10	Towbar, Front	1
9	B-6221-10	Stand	1
10	B-6223-10	Handle, Cart	1
11	B-6288-10	Lock Bar	1
12	20M0832P	1/4" x 2" RD HD Mach. Screw	4
13	20M1016P	5/16" x 1" RD HD Mach. Screw	10
14	2M1012P	5/16"-18 x 3/4" Hex Bolt	4
15	30M0800P	1/4"-20 Reg Hex Nut	4
16	30M1000P	5/16"-18 Reg Hex Nut	10
17	40M0800P	1/4" Med Lock Washer	4
18	40M1000P	5/16" Med Lock Washer	10
19	45M0909P	1/4" SAE Flat Washer	4
20	45M1111P	5/16" SAE Flat Washer	10
21	B-1675P	3/8"-16 Hex Lock Nut	1
22	B-3861	Hitch Pin (1/2" Dia. x 2-1/2)	1
23	B-4305	Retaining Ring, 3/4" E-Type	2
24	B-4786	5/16"-18 Nylon Lock Nut	4
25	B-5606	3/4" Mach. Bushing	4
26	B-5931	Clevis Pin, 5/16" Dia. x 3-1/2"	1
27	B-6298	Hex Bolt, 3/8" x 3-3/4" Full Thr.	1
28	B-6299	3/8"-16 Keps Nut	2
29	B-6300	Latch Spring	1
30	B-983	Hairpin Cotter, .08	1
*31	D-146P	Hair Pin Cotter 1/8"	1
32	B-4421	Spacers	2
33	B-5482	Decal-Caution	1

To Order Parts:
 Brinly-Hardy Company
 P.O. Box 18
 Jeffersonville, IN. 47131-0018
 877-728-8224

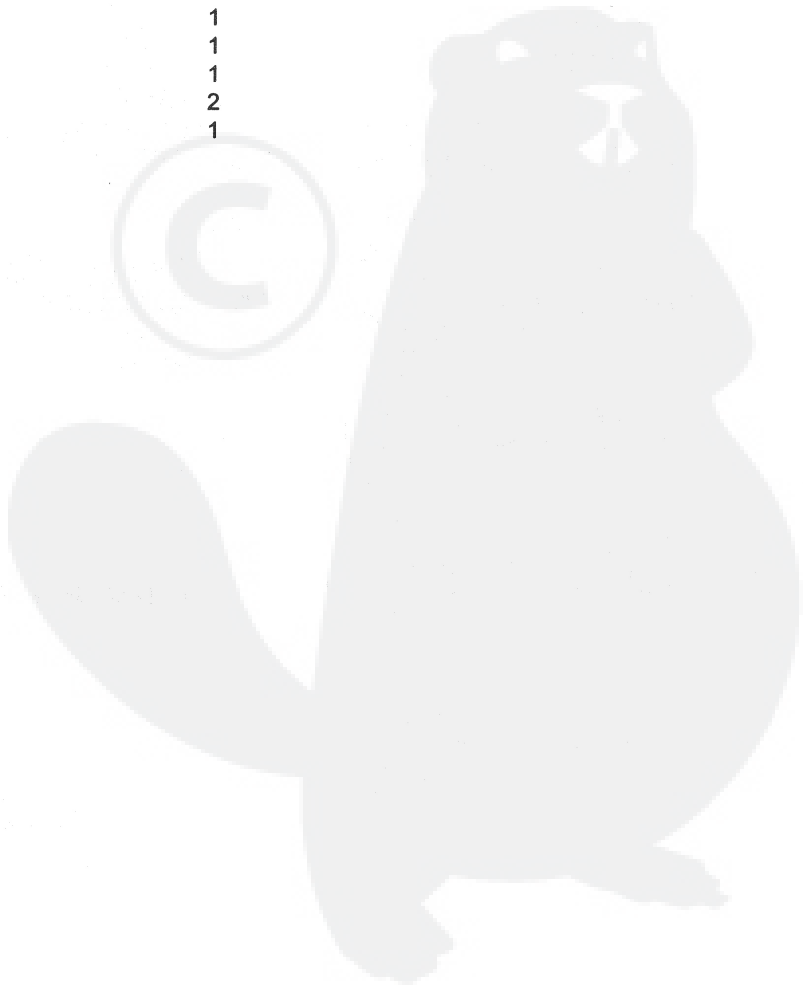
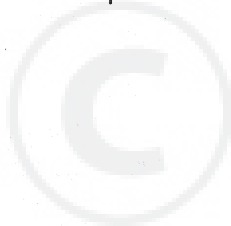
Visit us on the web:
www.brinly.com

**INSTALLATION
 QUESTIONS?
 MISSING PARTS?
 REPLACEMENT PARTS?**

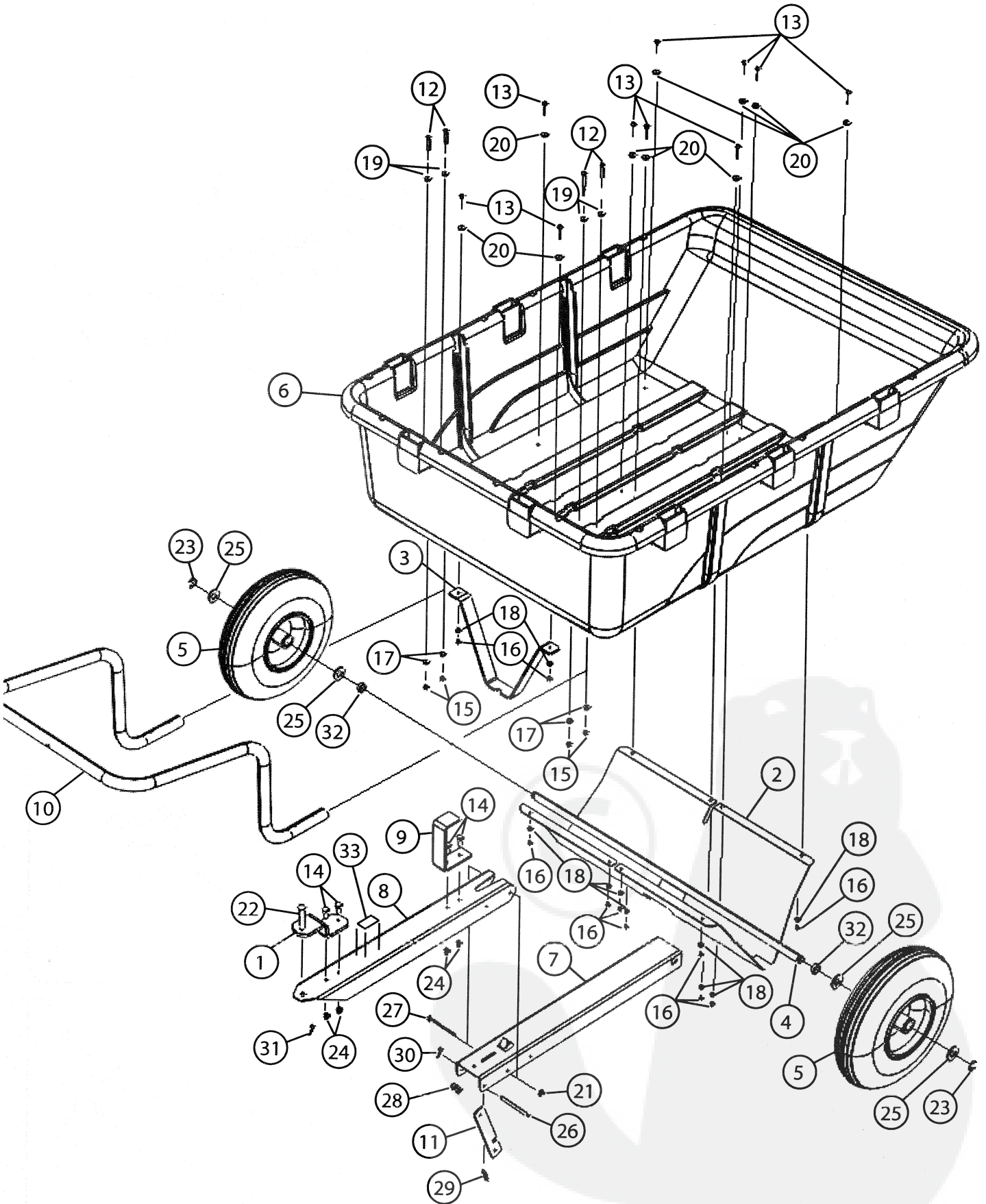
**DON'T GO BACK
 TO THE STORE!**

Please call our Customer Service
 Department Toll-Free at
877.728.8224
 or
www.brinly.com

*Spacers found in Z-1435-1D Sub Bag



EXPLODED REFERENCE



ASSEMBLY

Figure 1.

1. **Install Axle Support**

- Position the Axle Support(2) slotted holes over the bed.

Secure Axle Support (2) with Machine Screw(13) and Washer(20) and Lock Washer(18) and Hex Nut(16) as shown. Assemble finger tight until all 8 screws are installed.

- Tighten Nuts.

Hardware used:
 (13) 5/16" x 1" RD HD Mach. Screw
 (16) 5/16"-18 Reg Hex Nut
 (18) 5/16" Med Lock Washer
 (20) 5/16" SAE Flat Washer

Figure 1.

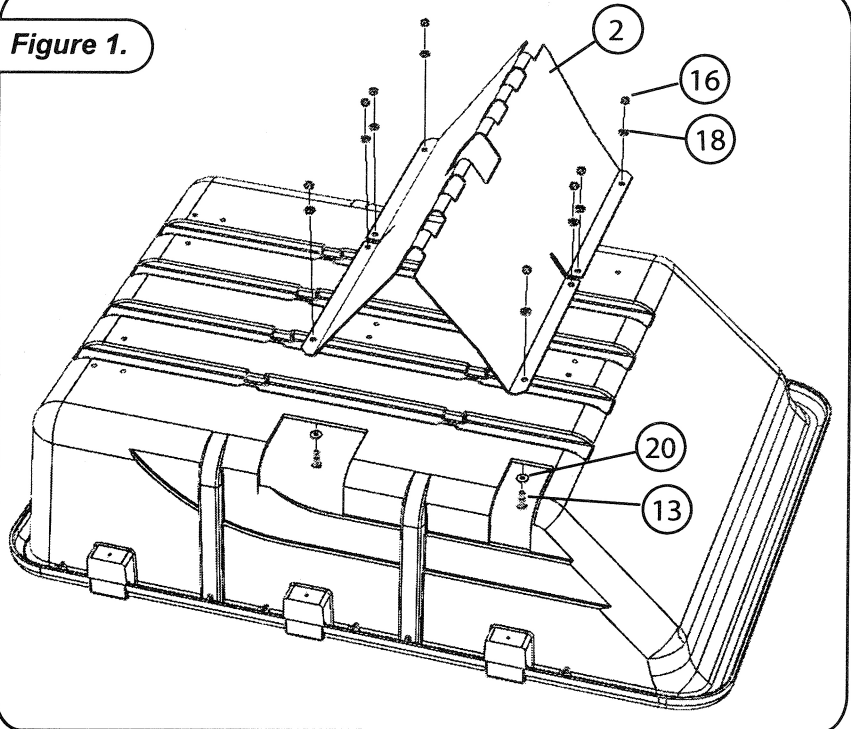


Figure 2.

Install Lock Bracket & Handle

- Position Handle(10) as shown and secure with Screw(12) and Washer(19) and Lock Washer(17) and Hex Nut(15).
- Position Lock Bracket(3) as shown and secure Machine Screw(13) and Washer(20) with Lock Washer(18) and Hex Nut(16).

Hardware used:
 (12) 1/4" x 2" RD HD Mach. Screw
 (13) 5/16" x 1" RD HD Mach. Screw
 (15) 1/4"-20 Reg Hex Nut
 (16) 5/16"-18 Reg Hex Nut
 (17) 1/4" Med Lock Washer
 (18) 5/16" Med Lock Washer
 (19) 1/4" SAE Flat Washer
 (20) 5/16" SAE Flat Washer

Figure 2.

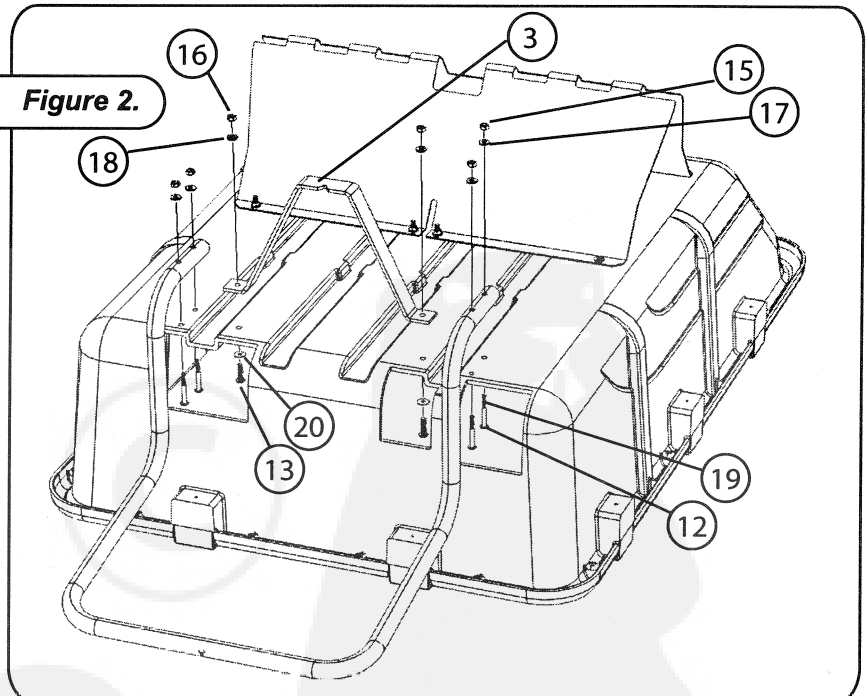


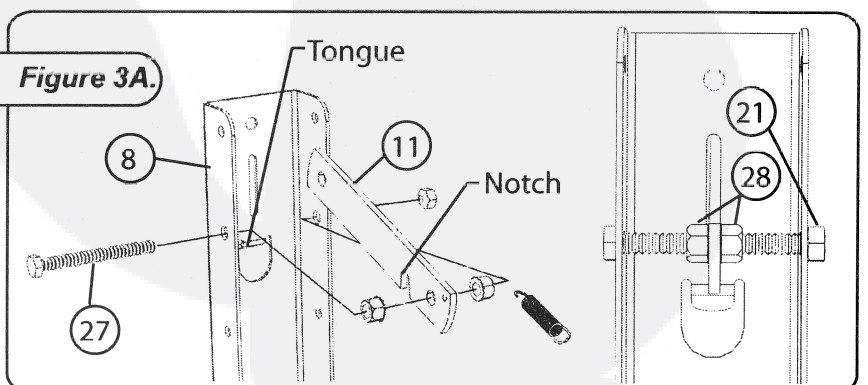
Figure 3A.

Assemble Dump Latch

- The Dump Latch(11) is installed in the Front Towbar(8) as shown in Figure 3A with the Notch facing the Tongue. Install the Keps Nuts(28) on the Hex Bolt(27) so that the Dump Latch is centered. Tighten the Keps Nuts(28) securely. Install the Lock Nut(21) so that the Hex Bolt(27) remains free to pivot.

Hardware used:
 (21) 3/8"-16 Hex Lock Nut
 (27) Hex Bolt, 3/8" x 3-3/4" Full Thr.
 (28) 3/8"-16 Keps Nut

Figure 3A.



ASSEMBLY

Figure 3B

- Hook one end of the Spring(29) to Rear Bar(7) hole and stretch the Spring(29) to position in the Dump Latch(11) hole.

Hardware used:
(29) Latch Spring

Figure 3B.

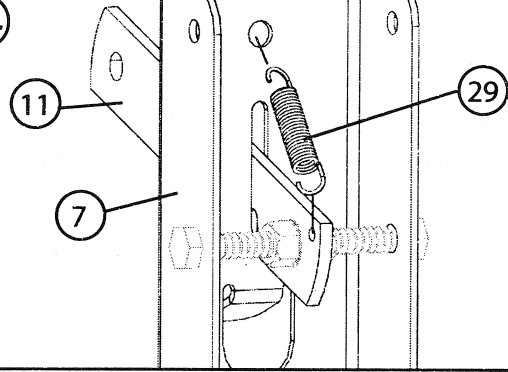


Figure 4.

Assemble Stand & Clevis

- Install the Front Towbar(8) with Clevis Pin(26) and Cotter(30).
- Install Stand(9) as shown with Hex Bolts(14) and secure with Lock Nuts(24).
- Install Clevis(1) as shown with Clevis Pin(22) and Cotter Pin(31). Install Hex Bolts(14) and Secure with Lock Nuts.

Hardware used:
(14) 5/16"-18 x 3/4" Hex Bolt
(22) Hitch Pin (1/2" x 2-1/2" But. HD)
(24) 5/16"-18 Nut, Lock, Nylon
(26) Clevis Pin, 5/16" Dia. x 3-1/2"
(30) Hairpin Cotter, .08
(31) Hair Pin Cotter 1/8"

Figure 4.

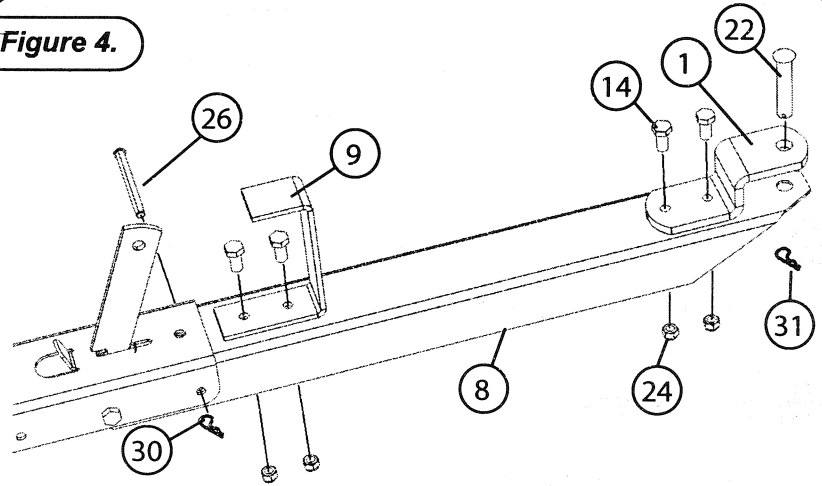


Figure 5.

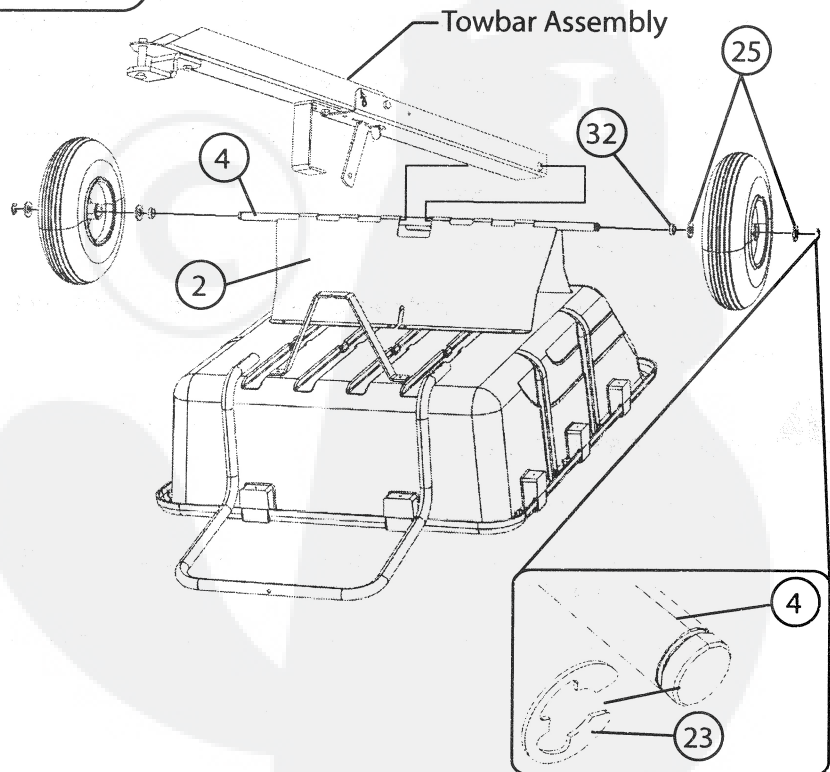
Install Towbar and Wheels

- Install Towbar Assembly and Axle(4) as shown. (A light coating of grease or oil will aid in inserting the Axle(4) through the Axle Support(2).)
- To assemble wheels follow the order of parts. First place Spacer(32) onto Axle(4) then followed by Bushing(25). Next is the Wheel then Bushing(25) finally place Retaining Ring(23), see note about installing Retaining Ring.

Hardware used:
(25) 3/4" Mach. Bushing
(32) Spacer
(23) Retaining Ring

NOTE: USE PLIERS TO SNAP RETAINING RING(23) INTO GROOVE ON AXLE(4).

Figure 5.



MAINTENANCE

The key to years of trouble-free service is to keep your Cart clean and dry.

Unauthorized modifications to the cart may impair its function and safety.

Occasionally check all moving parts for free movement and, if necessary, lubricate with oil.

Should rust develop, sand lightly and then paint area with enamel.

OPERATION

Avoid over filling Cart, it can cause tractor to lose traction and skid. The tractor and operator combined weight **MUST BE** more than loaded cart weight for **PROPER** towing and braking.

Extremely heavy loads will be difficult to dump. Fill to capacity that is comfortable for you to dump.

When Backing up, carefully back **STRAIGHT** to avoid "jack-knifing", which can cause damage to your equipment.

IMPORTANT

Check tire pressure. Inflate to 30 P.S.I.

SAFETY TIPS

Avoid tipping and skidding:

Weight of tractor and operator **MUST BE MORE** than weight of cart and load.

Use correct number of weights on tractor. If additional weight is required, add this weight at or forward of the rear wheels. Additional weight rearward of rear wheels causes a negative affect on vehicle steering.

A safe load on dry, level ground may cause the tractor to lose traction and skid on slippery or sloped ground.

DO NOT use cart near edges of ditch or bank or other steep angle.

Avoid holes, rocks and roots.

Slow down before you turn

DO NOT make sharp turns that cause tractor tires to rub cart drawbar.

DO NOT tow cart with box raised.

KEEP RIDERS OFF CART

Keep riders out of cart.

Riders in cart are subject to injury, such as being struck by objects and being thrown off the cart during sudden starts, stops and turns.

Riders obstruct the operator's view, resulting in the cart being used in an unsafe manner.