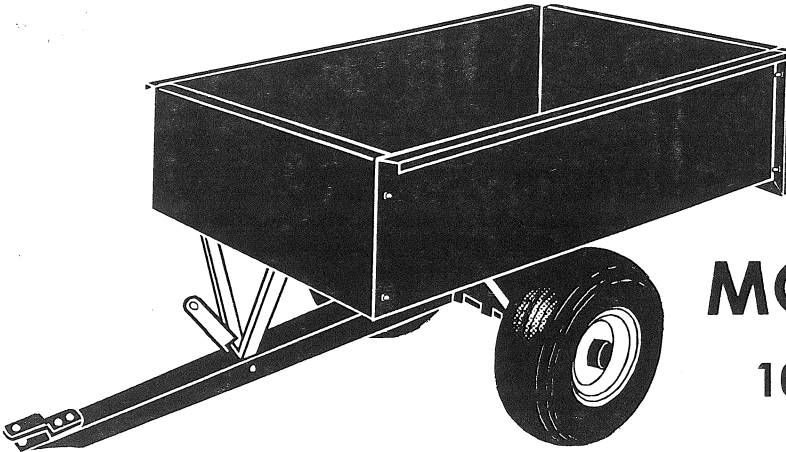


SINCE 1839

BRINLY

OWNER'S MANUAL



SERIES HDC-10L BH

MODEL HDC-100L BH

10 CUBIC FOOT UTILITY CART

CAUTION: USE THIS UTILITY CART ONLY WITH A PROPERLY POWERED TRACTOR CAPABLE OF HANDLING WEIGHTS AND LOADS AS SHOWN IN THE SPECIFICATIONS. IF UNSURE ABOUT ITS CAPABILITIES, CONSULT YOUR TRACTOR MANUFACTURER. OPERATION OF THIS UTILITY CART WITH WEIGHTS EXCEEDING YOUR TRACTOR'S CAPACITY MAY CAUSE DAMAGE TO THE TRANSMISSION OR ENGINE AND MAY CAUSE DIFFICULTY IN BRAKING.

IMPORTANT: THIS MANUAL CONTAINS INFORMATION FOR THE SAFETY OF PERSONS AND PROPERTY. READ IT CAREFULLY BEFORE ASSEMBLY AND OPERATION OF THE EQUIPMENT.

LIMITED WARRANTY

Brinly-Hardy Company warrants only to the original retail purchaser that this product will remain free of defects in workmanship and materials under normal use and service for a period of two (2) years (NOTE: ninety (90) days for commercial or rental use) commencing with the date of purchase.

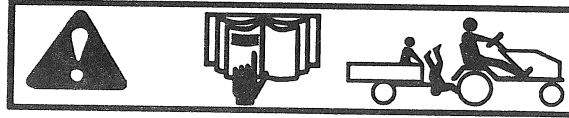
Any parts found to be defective within the warranty period will be replaced, with proof of date of purchase, at Brinly-Hardy Company's expense. Our obligation under this warranty is expressly limited to replacement or repair, at our option of parts which are defective in material or workmanship within thirty (30) days of receipt of the parts. This warranty does not apply to damage caused by unreasonable use, including failure to provide necessary maintenance, nor does it apply to any transportation or labor charges.

WE MAKE NO OTHER EXPRESS WARRANTY, NOR IS ANYONE AUTHORIZED TO MAKE ANY ON OUR BEHALF. ANY IMPLIED OR STATUTORY WARRANTIES, INCLUDING ANY WARRANTY OF MERCHANTABILITY OR FITNESS FOR A PARTICULAR PURPOSE, ARE LIMITED TO THE DURATION OF THIS WRITTEN WARRANTY. WE SHALL NOT BE LIABLE FOR CONSEQUENTIAL OR INCIDENTAL DAMAGES OF ANY KIND.

MADE IN U.S.A.

Brinly-Hardy Company (877) 728-8224

CONGRATULATIONS on your purchase of this Brinly attachment. It has been designed, engineered, and manufactured to give you the best possible dependability and performance.



Please read and retain this manual. The instructions will enable you to assemble and maintain your attachment properly. Always observe the "SAFETY RULES". Should the need ever exist for repair parts, order through most any Lawn and Garden dealer, using part number and description.



LOOK FOR THIS SYMBOL TO POINT OUT IMPORTANT SAFETY PRECAUTIONS. IT MEANS ATTENTION! BECOME ALERT! YOUR SAFETY IS INVOLVED!



RULES FOR SAFE OPERATION

- Know controls and how to stop quickly. **READ THE OWNER'S MANUAL.**
- Do not allow children to operate the vehicle. Do not allow adults to operate without proper instruction or without having read the Owner's Manual.
- Do not carry passengers. Keep children and pets a safe distance away.
- Always wear substantial footwear. Do not wear loose fitting clothing that can get caught in moving parts.
- Keep your eyes and mind on your tractor/attachment and area being covered. Do not let other interests distract you.
- Stay alert for holes in the terrain and other hidden hazards.
- Do not drive close to creeks, ditches, and public highways.
- Watch out for traffic when crossing or near roadways.
- When using any attachment, don't allow anyone near the vehicle while in operation.
- Keep the vehicle and attachment in good operating condition and keep safety devices in place.
- Keep all nuts, bolts, and screws tight to be sure the equipment is in safe working condition.
- The vehicle and attachment should be stopped and inspected for damage after striking a foreign object. The damage should be repaired before restarting and operating the equipment.
- See tractor equipment Owner's Manual for safe operation of the equipment.



WARNING

- **DO NOT** tow your Utility Cart with a car or truck.
- Maximum load weight for Utility Cart is restricted to 650 pounds.
- **DO NOT** tow other equipment behind the Utility Cart.
- Check brake performance before encountering steep grades with loaded Utility Cart.
- Avoid steep slopes with loaded Utility Cart.
- Operate your Utility Cart only as designed ... for off-road use.
- **DO NOT** permit children on or around the Utility Cart while in operation.
- Always operate your Utility Cart within the speed limit for which it was designed (Max. 5 M.P.H.).
- When backing ... carefully back straight to avoid jack-knifing which could result in damage to equipment.

CUSTOMER RESPONSIBILITIES

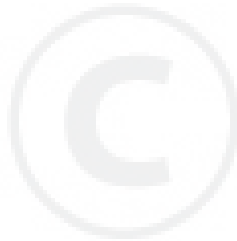
- Read and observe the "SAFETY RULES".
- Follow a regular schedule in maintaining, caring for, and using your attachment.

TABLE OF CONTENTS

WARRANTY	1	OPERATION	7
SAFETY RULES	2	MAINTENANCE	8
HARDWARE	3	REPAIR PARTS	8
ASSEMBLY	4-7		

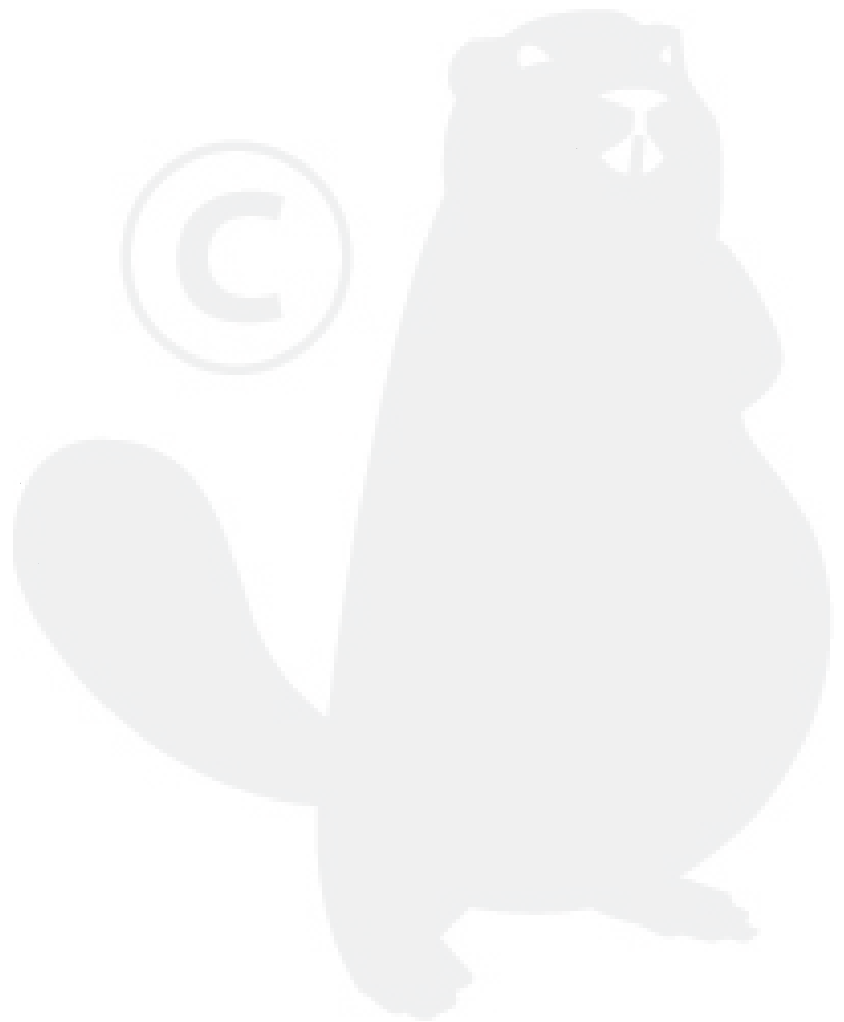
NOTES

S AND
RACTO
R'S CA
NG

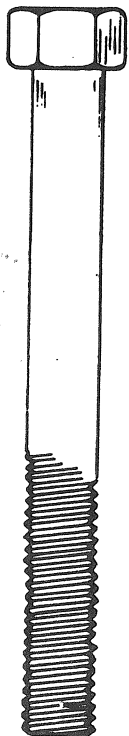


LIAB

NOTES



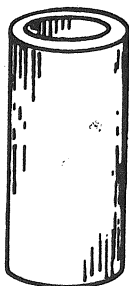
HARDWARE



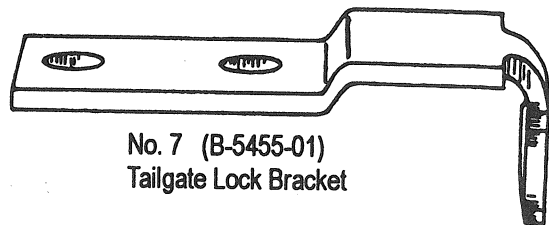
No. 18 (1M1256P)
Hex Head Bolt
3/8" x 3 1/2"



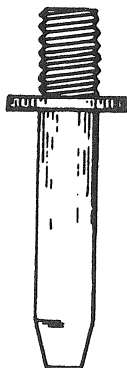
No. 1 (B-1675P)
Hex Lock Nut, 3/8"



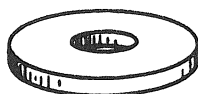
No. 6 (B-3305)
Handle Spacer



No. 7 (B-5455-01)
Tailgate Lock Bracket



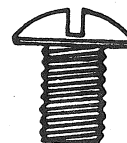
No. 8 (B-3307)
Tailgate Retainer Pin



No. 17 (R-618)
Special Washer



No. 19 (20M0808P)
Round Head Screw
1/4" x 1/2"



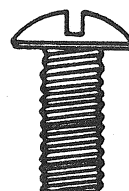
No. 20 (20M1008P)
Round Head Screw
5/16" x 1/2"



No. 33 (20M1016P)
Round Head Screw
5/16" x 1"



No. 24 (B-4786)
Nylon Insert Nut, 5/16"



No. 21 (21M1012P)
Truss Head Screw
5/16" x 3/4"



No. 22 (26M1012P)
Flat Head Screw
5/16" x 3/4"



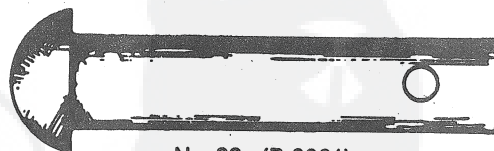
No. 23 (B-4785)
Nylon Insert Nut, 1/4"



No. 31 (45M2121P)
Flat Washer, 5/8"



No. 28 (B-4305)
"E" Ring, 3/4"



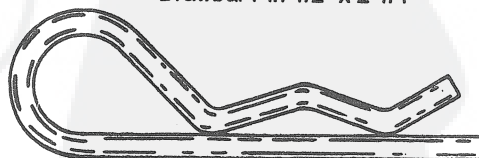
No. 32 (B-3861)
Drawbar Pin 1/2" x 2 1/4"



No. 26 (40M1000P)
Lock Washer, 5/16"



No. 27 (B-5606)
Machinery Bushing



No. 30 (D-146P)
Hairpin Cotter, 1/8"

NOTES:

- It is recommended that you carefully read this Owner's Manual **BEFORE** starting assembly of this unit.
- Fold out carton to use as a pad during assembly and arrange each kind of hardware into a group to ease assembly.
- Assemble your Cart on a flat surface.
- Assemble the Cart with the screw heads located on the **INSIDE** of bed.
- To ease assembly, use screwdriver to align flange holes.
- **DO NOT** tighten hardware until all hardware is in place and wagon bed is upside down on a flat surface. This will insure a level Cart.

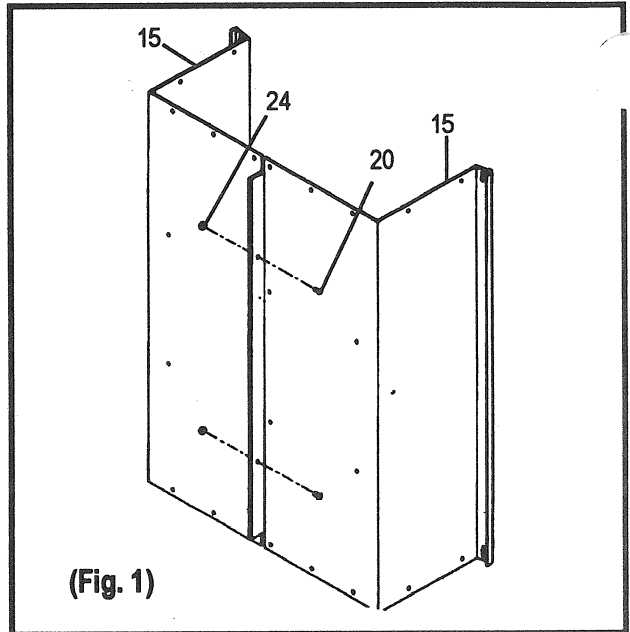
TOOLS REQUIRED FOR ASSEMBLY

- 1 Large Pair of Pliers (Slip joint recommended)
- 1 Screwdriver (flat)
- 2 Medium size adjustable wrenches
- OR
- 1 Adjustable wrench and set of open-end wrenches
- 1 3/16" Allen wrench

ASSEMBLY

(See Fig. 1)

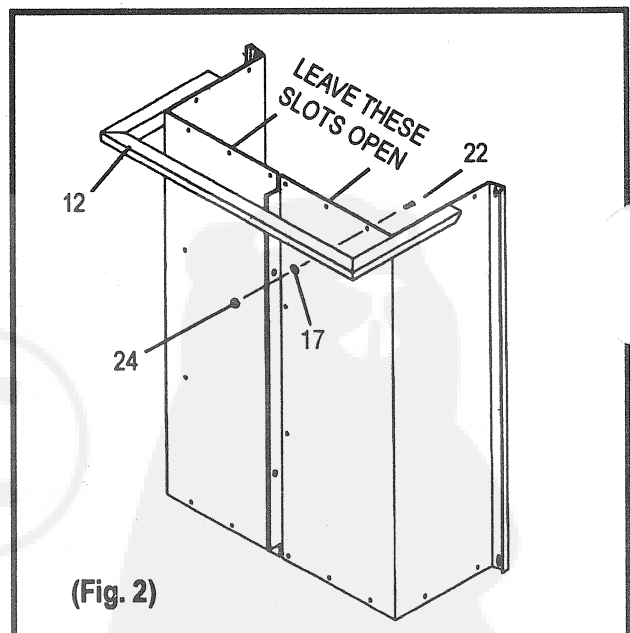
- Stand the **BED HALVES (15)** on end on a smooth flat surface with the flanges touching.
- Using the holes provided, fasten the flanges together using **two 5/16" x 1/2" ROUND HEAD SCREWS (20)** and **two 5/16" NYLON INSERT NUTS (24)**. **DO NOT TIGHTEN!**



(Fig. 1)

(See Fig. 2)

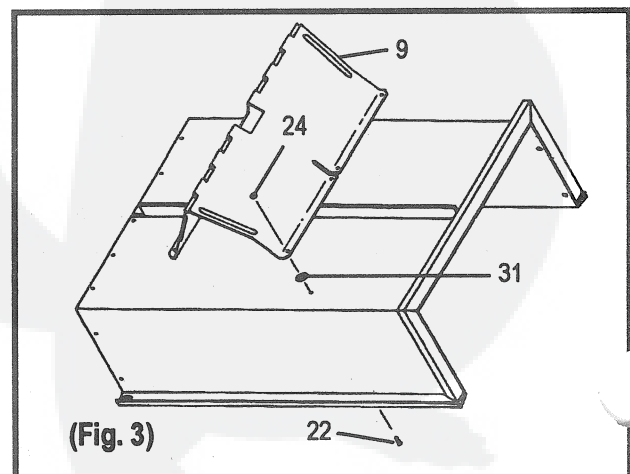
- Attach the **SUPPORT CHANNEL (12)** (with flanges pointing down) to the **BED END NOT ON THE GROUND**, using **eight 5/16" x 3/4" FLAT HEAD SCREWS (22)**, **eight SPECIAL WASHERS (17)** and **eight 5/16" NYLON INSERT NUTS (24)** as shown in the illustration. **DO NOT TIGHTEN!**
- **DO NOT INSTALL FASTENERS IN THE TWO SLOTTED HOLES IN THE BED HALVES** (See illustration).



(Fig. 2)

(See Fig. 3)

- Lay **UTILITY CART** on a flat surface.
- Attach **AXLE SUPPORT BRACKET (9)** to bottom of **BED** using **eight 5/16" x 3/4" FLAT HEAD SCREWS (22)**, **eight 5/8" FLAT WASHERS (31)** (Between BRACKET and BED), and **eight 5/16" NYLON INSERT NUTS (24)**.
- Tighten each of these **FLAT HEAD SCREWS** slightly, using a **3/16" ALLEN WRENCH**.

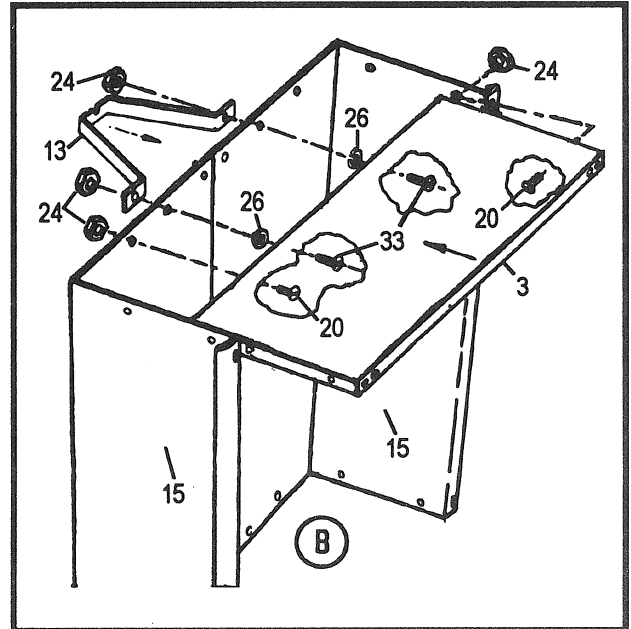


(Fig. 3)

ASSEMBLY

(See Fig. 4)

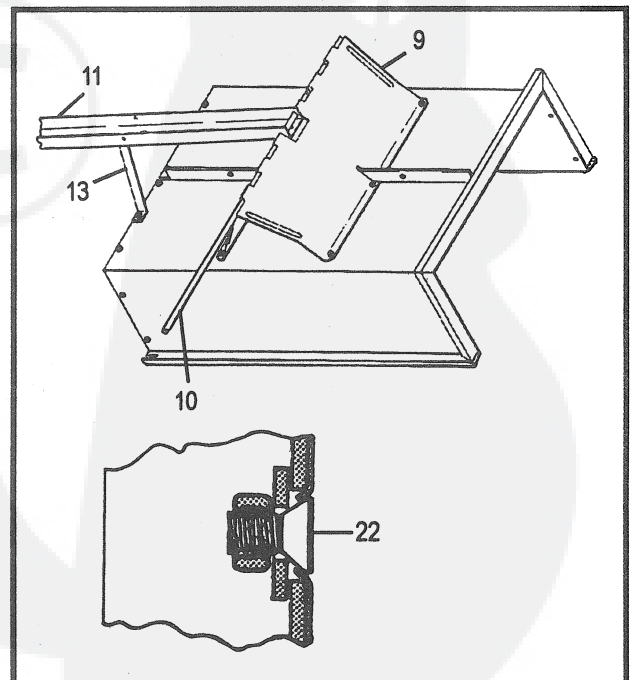
- Stand **UTILITY CART** up resting on the previously assembled **SUPPORT CHANNEL**.
- Position one **END PANEL (3)** (with flanges pointing down) inside the **BED**.
- Align the four holes in the sides of the **END PANEL (3)** with the four holes in the sides of the **BED** and fasten them together with four **5/16" x 1/2" ROUND HEAD SCREWS (20)** (from inside the bed) and four **5/16" NYLON INSERT NUTS (24)**. **DO NOT TIGHTEN!**
- Between the **END PANEL (3)** and the **BED**, insert two **5/16"** **LOCK WASHERS (26)** inside the "dimpled" projections. Then, insert two **5/16" x 1" ROUND HEAD SCREWS (33)** through the **BED**, **LOCK WASHERS (26)**, and **END PANELS (3)**, making sure that the **LOCK WASHERS (26)** remain inside the "dimpled" projections.
- Place the **LOCK BRACKET (13)** (with the notch up) on these two screws and secure in place with two **5/16" NYLON INSERT NUTS (24)**. **DO NOT TIGHTEN!**
- From inside the **BED**, insert four **5/16" x 1/2" ROUND HEAD SCREWS (20)** into the remaining holes in the **END PANEL** and the **BED** and secure with four **5/16" NYLON INSERT NUTS (24)**. **DO NOT TIGHTEN!**



(Fig. 4)

(See Fig. 5)

- Lay the **UTILITY CART** upside down on a flat smooth surface (to insure a level bed) and tighten all fasteners. It is necessary to tighten each **FLAT HEAD SCREW (22)** until the head is flush with the bed surface (see inset).
- Lay the **DRAWBAR (11)** (with flanges up) in the "cut-out" in the **AXLE SUPPORT BRACKET (9)** and across the **LOCK BRACKET (13)**.
- Guide the **AXLE (10)** through the axle guides in the **AXLE SUPPORT BRACKET (9)** and the holes in the flanges of the **DRAWBAR (11)** until there is an equal amount of the **AXLE** extending from both sides of the **AXLE SUPPORT BRACKET (9)**.



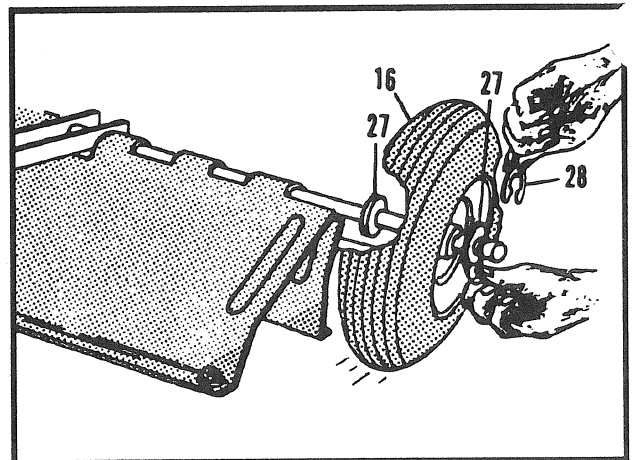
(Fig. 5)

ASSEMBLY

(See Fig. 6)

- Install one $\frac{3}{4}$ " **FLAT WASHER (27)** on each end of the **AXLE** followed by one **WHEEL (16)** (with long hub towards **UTILITY CART**) and another $\frac{3}{4}$ " **FLAT WASHER**.
- Install a $\frac{3}{4}$ " **"E" RING (28)** in the groove in each end of the **AXLE**.

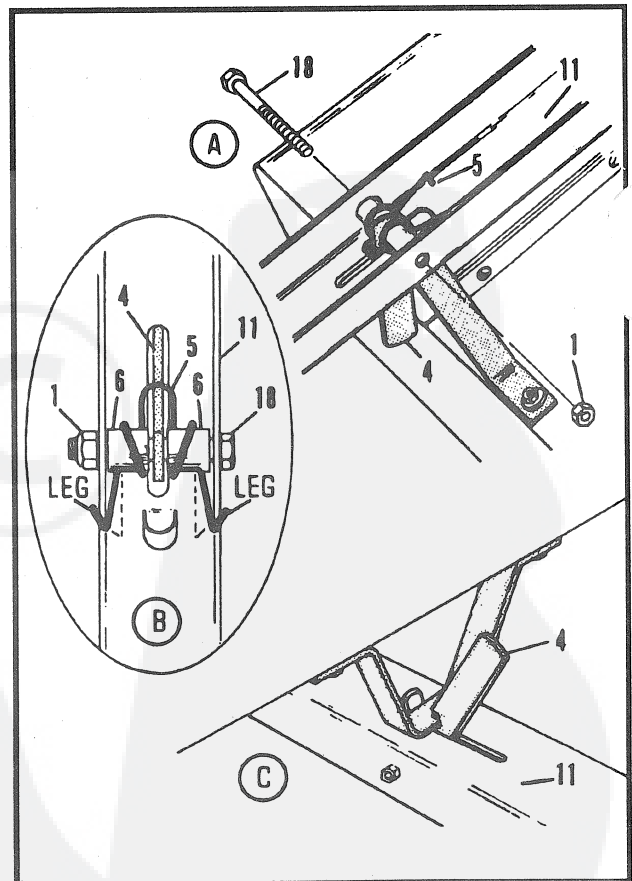
NOTE: The **"E" RINGS** can be assembled to the **AXLE** by using a large pair of pliers.



(Fig. 6)

(See Fig. 7)

- See Illustration "A". Assemble the **HANDLE (LOCK BAR) (4)** to the **DRAWBAR (11)** by placing the two **HANDLE SPACERS (6)** inside the **HANDLE SPRING (5)** coils.
- Place this assembly inside the **DRAWBAR** aligning the spacers with the holes in the sides of the **DRAWBAR**.
- Slide the $\frac{3}{8}$ " x $3\frac{1}{2}$ " **HEX HEAD BOLT** through the **DRAWBAR** and into the first **HANDLE SPACER**.
- Slide a screwdriver through the other side of the **DRAWBAR** and into the other **HANDLE SPACER**.
- Slide the **HANDLE (LOCK BAR) (4)** (with the notch facing rearward) between the **HANDLE SPACERS (6)** and through the slot in the **DRAWBAR**, aligning the hole closest to the notch in the **HANDLE** with the holes in the **HANDLE SPACERS**.
- Slide the $\frac{3}{8}$ " x $3\frac{1}{2}$ " **HEX HEAD BOLT** through the **HANDLE**, the other **HANDLE SPACER** and the hole in the other side of the **DRAWBAR** and secure with the $\frac{3}{8}$ " **HEX LOCK NUT (1)**. **DO NOT OVERTIGHTEN!** **HANDLE** must move freely with minimum side sway.
- Lift each leg of the **HANDLE SPRING (5)** up and over the side of the **DRAWBAR** as shown in illustration "B".



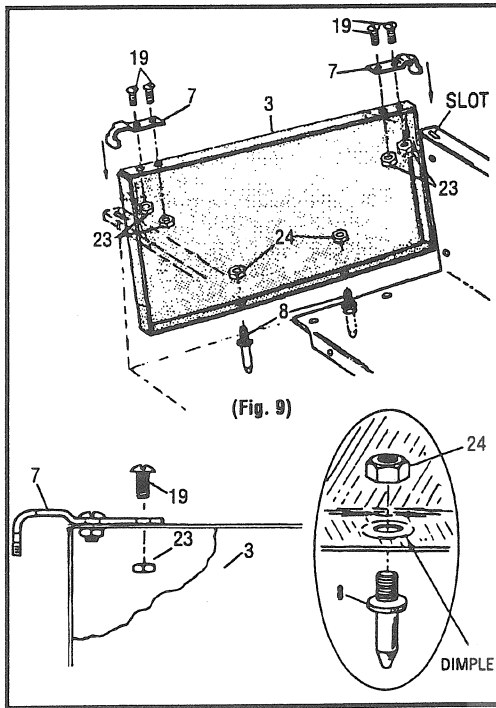
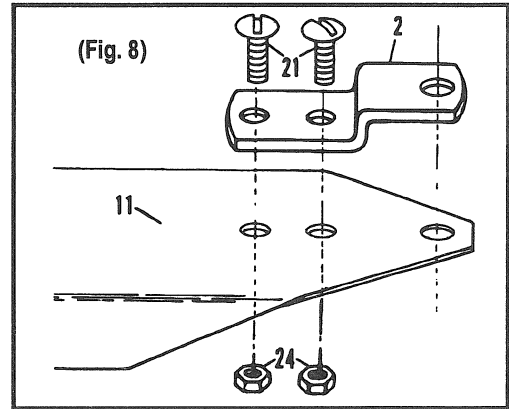
(Fig. 7)

NOTE: For proper operation, the notch in the **HANDLE** must engage the notch in the **LOCK BRACKET** as in illustration "C". If the **HANDLE** is difficult to engage into the **LOCK BRACKET**, it may be necessary to push back on the **LOCK BRACKET** to align it with the **HANDLE**.

ASSEMBLY

(See Fig. 8)

- Turn the **UTILITY CART** right side up (on its wheels).
- Assemble the **CLEVIS (2)** to the **DRAWBAR (11)** using **two 5/16" x 3/4" ROUND HEAD SCREWS (21)** and **two 5/16" NYLON INSERT NUTS (24)** ... tighten securely.



(Fig. 9)

(See Fig. 9)

- Attach each **TAILGATE LOCK BRACKET (7)** to the remaining **END PANEL (TAILGATE) (3)** with **two 1/4" x 1/2" ROUND HEAD SCREWS (19)** and **two 1/4" NYLON INSERT NUTS (23)**. **DO NOT TIGHTEN!**
- Install the **GATE RETAINER PINS (8)** through the "dimpled" holes in the bottom of the **END PANEL (TAILGATE)**, securing with **two 5/16" NYLON INSERT NUTS (24)**. **DO NOT TIGHTEN!**
- Align the **GATE RETAINER PINS (8)** with the matching holes in the **UTILITY CART BED** and lower the **END PANEL** until the **TAILGATE LOCK BRACKETS** engage the slots in the top of the **UTILITY CART BED**.

Tighten these fasteners and check all other fasteners on the Utility Cart for tightness.

If **LOGO DECAL (29)** has not been applied to the **FRONT PANEL (3)**, see **PARTS PAGE** for location.

Your Utility Cart is now ready for use.

OPERATION

- Connect the Utility Cart to your tractor using the Drawbar Pin and Hairpin Cotter provided.
- For ease of loading and unloading the Utility Cart, it is best to have the bed of the Utility Cart as level as possible.
- When loading the Utility Cart, distribute the weight such that the Utility Cart is slightly tail heavy, making it easy to dump.
- When hauling loose material (such as dirt, rocks, etc.), lock the tailgate in with the flanges toward the rear (facing outward). Otherwise, it may be difficult to remove.



WARNING

- When backing ... carefully back straight to avoid jack-knifing which could result in damage to equipment.



WARNING

- **Braking with heavy loads:** When operating with heavy materials such as wet sand, dirt, or concrete, check the ability of your tractor to stop the loaded Utility Cart while on a straight incline before attempting to brake on a steep incline. Depending upon your tractor's size and the type of brakes, a fully loaded Utility Cart may overpower your tractor.

MAINTENANCE

NOTE: Your Utility Cart is essentially maintenance free. However, as with any steel product, it can rust.

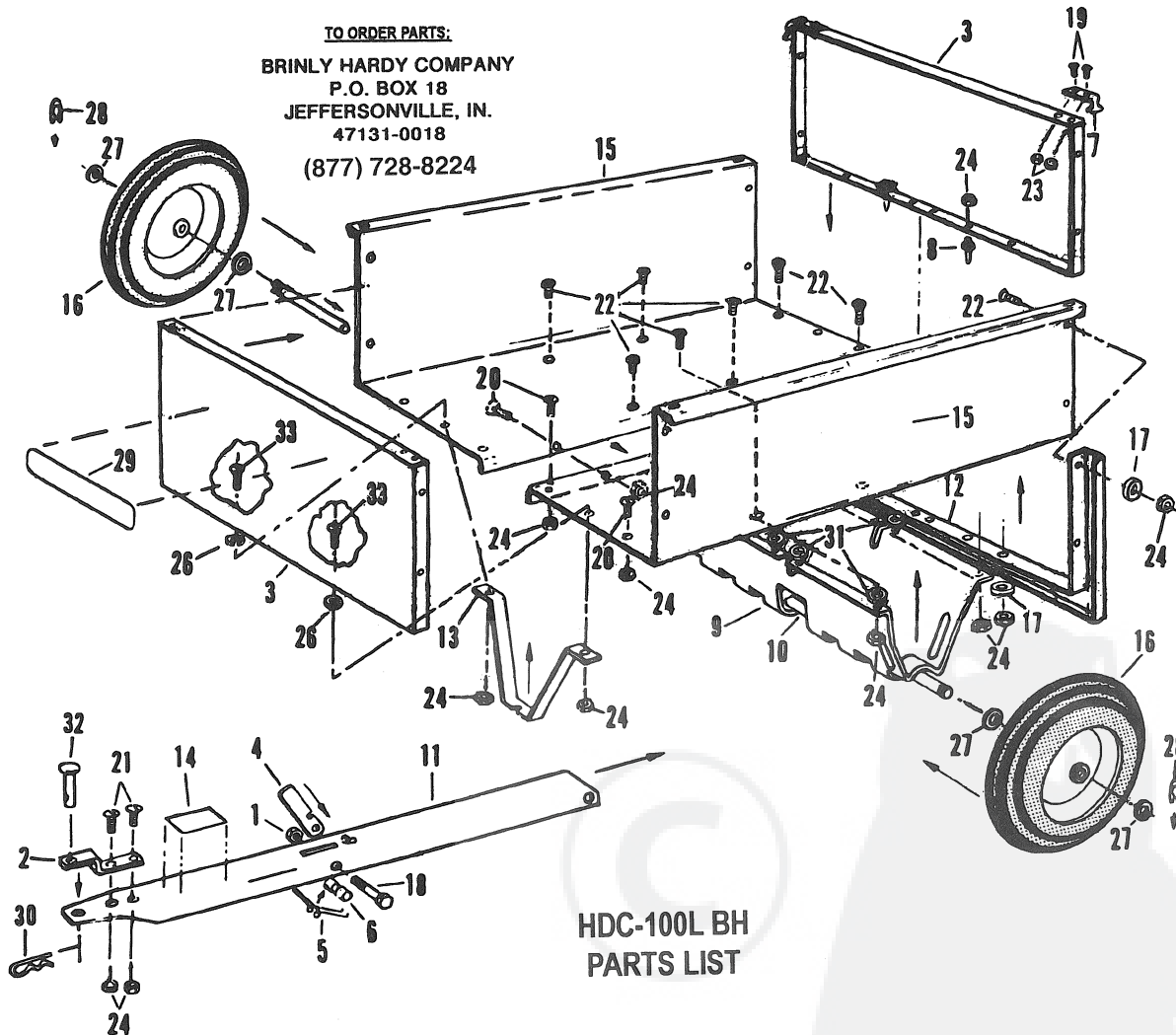
- For rust on bed or frame parts, sand lightly and coat with enamel.
- For rust on axle, remove wheels, sand lightly, and apply a light coat of axle grease or heavy oil and replace wheels.

- Periodically grease your Utility Cart's wheels with standard axle grease.

- Periodically check tightness of all fasteners.

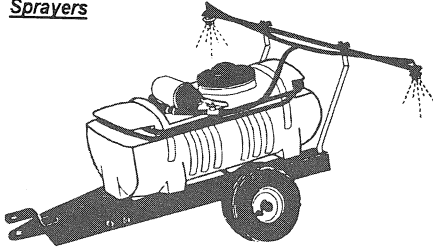
- For long life, store the Utility Cart in a dry area.

- Maintain proper tire pressure (Max. 30 P.S.I.)



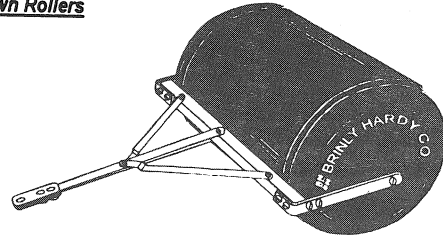
Ref. Part No.	Part No.	Description	Quantity	Ref. Part No.	Part No.	Description	Quantity
1	B-1675P	Hex Lock Nut, 3/8"	1	17	R-618	Special Washer	8
2	B-3034-10	Clevis	1	18	1M1256P	Hex Head Bolt, 3/8" x 3 1/2"	1
3	B-5363-10	End Panel, F/R	2	19	20M0808P	Round Head Screw, 1/4" x 1/2"	4
4	B-3301-10	Lock Bar (Handle)	1	20	20M1008P	Round Head Screw, 5/16" x 1/2"	10
5	B-3303	Handle Spring	1	21	20M1012P	Round Head Screw, 5/16" x 3/4"	2
6	B-3305	Handle Spacer	2	22	26M1012P	Flat Head Screw, 5/16" x 3/4"	16
7	B-5455-01	Gate Lock Bracket	2	23	B-4785	Nylon Insert Nut, 1/4"	4
8	B-3307	Gate Retainer Pin	2	24	B-4786	Nylon Insert Nut, 5/16"	33
9	B-4599-10	Axle Support Bracket	1	26	40M1000P	Lock Washer, 5/16"	2
10	B-5371	Axle	1	27	B-5606	Flat Washer, 3/4"	4
11	B-5370-10	Drawbar	1	28	B-4305	"E" Ring, 3/4"	2
12	B-5364-10	Support Channel	1	29	B-5924	Logo Decal	1
13	B-3520-10	Lock Bracket	1	30	D-146P	Hairpin Cotter, 1/8"	1
14	B-5482	Caution Decal	1	31	45M2121P	Flat Washer, 5/8"	8
15	B-5369-10	Bed Half, R/L	2	32	B-3861	Drawbar Pin, 1/2" x 2 1/4"	1
16	B-5372	Wheel	2	33	20M1016P	Round Head Screw, 5/16" x 1"	2

Sprayers

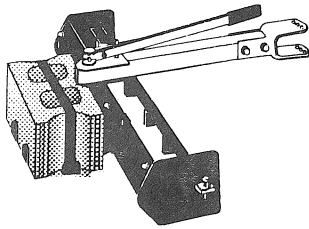


Brinly sprayers are designed to be easy to use, extremely accurate, and long lasting. Our in-line mounted tank design means that even the biggest tank is easy to maneuver and can fit through a garden gate. Each unit comes with a tractor-mounted on/off control.

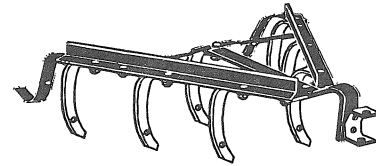
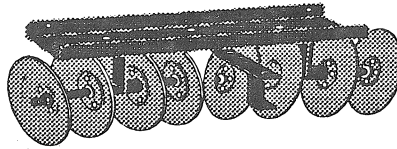
Poly Lawn Rollers



No more rust or dents with these poly lawn rollers. These units are much easier to deal with than the steel versions. They have rounded end caps that won't tear or gouge the lawn when turning. Erase the harmful effects of front heaving and moles, or pack down newly sewn seed or sod.



Garden Tractor Attachments



Brinly's garden tractor items offer the largest selection to turn your garden tractor into a year-round tool. We have box scrapers, blades, cultivators, disk harrows, and even a plow! Remember that a sleeve hitch is required to hook up these items to your garden tractor.

Quality Insurance

Dear Customer,

We are very proud of our quality and endeavor to produce each product to meet high standards. Should your purchase not meet your expectations, we have a Quality Insurance Policy.

If you purchase a product and a part is missing or defective, please inform us of the problem on the "Comments" section of the Warranty Registration Card below. Mail the card to us, or you may call us toll free at (877) 728-8224. We will make every effort to ship a new replacement part to you within 24 hours at no charge.

Thank you,

President
Brinly-Hardy Company

Warranty Registration Card

Please complete the Warranty Registration Card, place in an envelope and mail to us so that we will have a record of your purchase and your comments.



WARRANTY REGISTRATION CARD

To register your new product for warranty, please complete and return this card.

Name: _____ Phone: _____

Address: _____

City: _____ State: _____ Zip: _____ Country: _____

Product Purchased: _____ Model No.: _____

Packing No. (On Carton): _____

Where Purchased: _____ Date Purchased: _____

Type of Tractor/Rider Owned? Make: _____ Model: _____ HP: _____

Size of Lawn? 1/4 to 1/2 acre 1/2 to 1 acre 1 to 5 acres over 5 acres

Do you garden? Yes No Use a tractor? Use a tiller?

Your occupation: _____

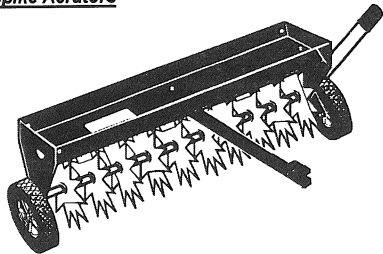
YOUR COMMENTS WILL BE APPRECIATED: _____

CARING FOR THE QUALITY OF YOUR LAWN

with quality products from
BRINLY-HARDY COMPANY

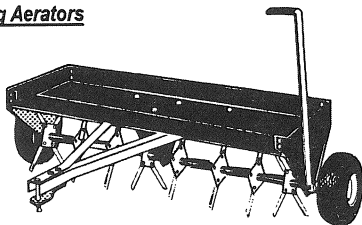
Our Quality Products

Spike Aerators



Our Spiker Aerators allow seed, fertilizer, air, and water to reach the lawn's root system, where they do the most good. This means fewer chemical applications and less frequent watering.

Plug Aerators



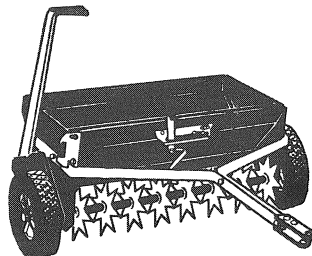
Our Plug-type Aerators are designed for the lawn care enthusiast who demands the ultimate in turf aeration! It actually pulls "plugs" of soil to relieve soil compaction and deposits them on top of the lawn where they're quickly broken down. You, too, can have a healthy looking lawn, once only affordable to golf courses!

TO ORDER PARTS:

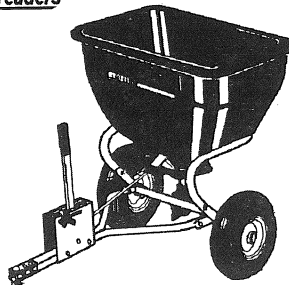
Brinly-Hardy Company
P.O. Box 18
Jeffersonville, IN 47131-0018
(877) 728-8224

Aerator Spreaders

You can actually handle two jobs at once with our Aerator-Spreader! This natural combination allows the 30" Aerator to perforate the soil, and the spreader immediately follows with seed, lime, or fertilizer; putting it INTO the ground so it can't be washed away!



Broadcast Spreaders



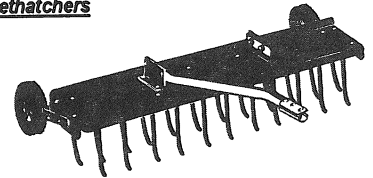
Our Brinly Spreaders handle everything from seed to ice-melters. Equipped with AutoFlow™, the material flow stops and starts when the rider does...no need to worry about "burns" or "streaks" on the lawn. Our gears are fully enclosed, so they'll last and last!

Our larger 2.5 and 3.5 cu. ft. Spreaders offer a unique, Directional Spread Pattern Control that lets you CHOOSE your spread pattern; adjust it to spread to either side or to center. Also, a clear, vinyl cover is included to protect materials from moisture.

About the Company

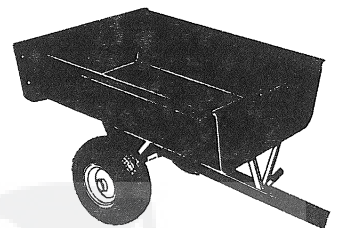
For generations, Brinly-Hardy has been serving the growing needs of farmers, gardeners, lawn professionals, and homeowners. Our first plow was introduced in 1839, and ever since, we have been a name in the production of quality-crafted lawns, turf, and garden tools. It's a proud heritage, and you can trust in caring for your lawn.

Dethatchers



If left alone, matted layers of thatch and large grass clippings can form on your lawn which prevents air circulation and breeds disease. Our patented design Dethatcher with spring steel tines gently comb thatch and clippings to the surface where they can be re-mulched, collected, or left exposed to the elements to break down.

Utility Carts



Our Dumping Utility Carts have a patented corner design which prevents soil, gravel, mulch, etc. from getting trapped along the edges (where they can cause rust), and the bracketless, removable tailgate has NO obstructions to catch material when dumping. These Utility Carts are built to last with our solid steel axles, heavy steel beds, and our state-of-the-art powder coated paint finish.

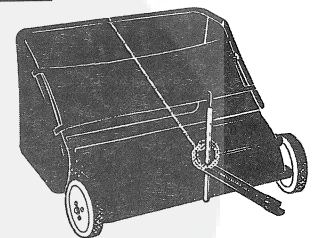
CUT HERE

BRINLY-HARDY COMPANY
P.O. BOX 18
JEFFERSONVILLE, IN
47131-0018

(877) 728-8224

website address: www.brinly.com
e-mail address: brinly@brinly.com

Sweepers



A Brinly-Hardy Sweeper is sure to make your outside chores much easier! Forget the brooms and rakes, you can quickly sweep up grass clippings, leaves, and even debris from the pavement and quickly dump them into compost bins or bags. The spring-loaded Compost Clip makes it a snap!

For even more versatility, attach our optional Compost Clip Kit to either our 30" or 36" Sweeper, and you can handle two jobs at once!

These sweepers are built for all seasons and will last for years and years.