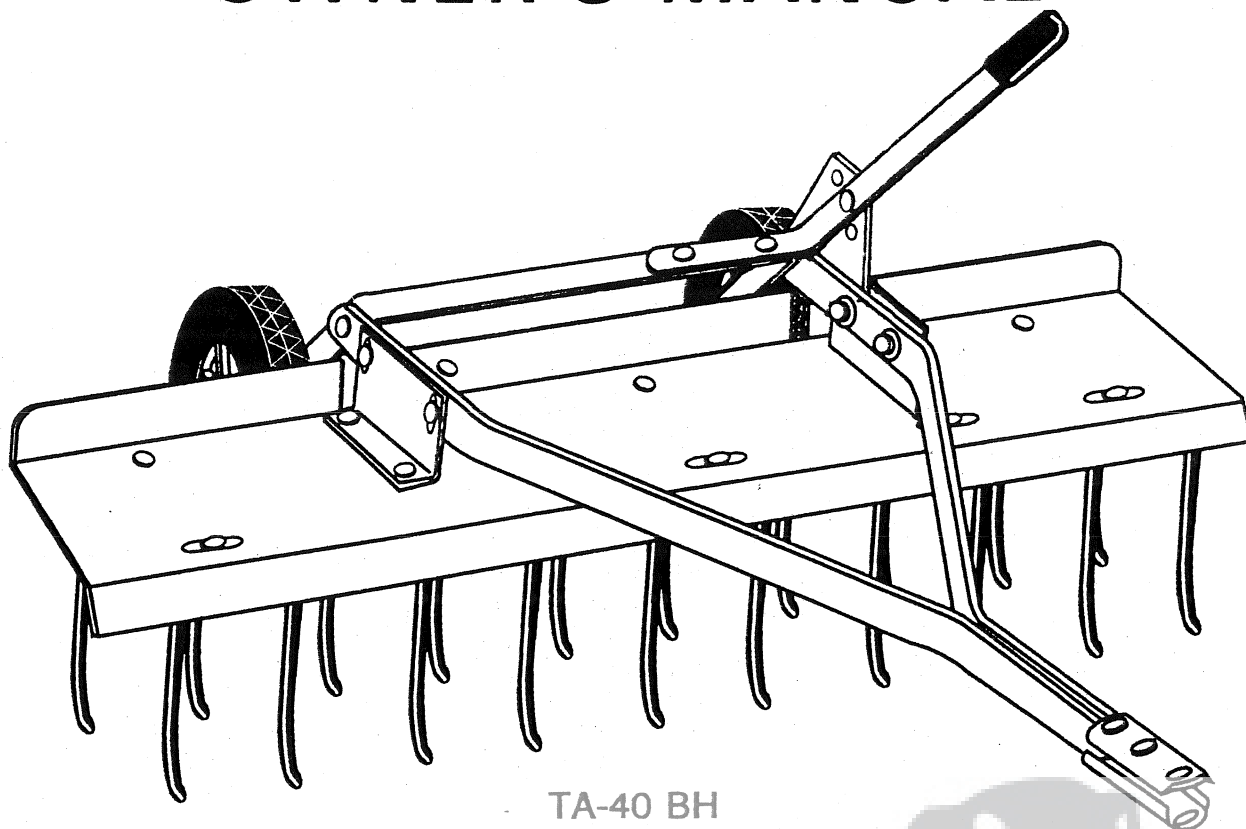


BRINLY



OWNER'S MANUAL



TA-40 BH
40" THATCHERATOR

MODEL TA-400 BH

"IMPORTANT: THIS MANUAL CONTAINS INFORMATION FOR THE SAFETY OF PERSONS AND PROPERTY. READ IT CAREFULLY BEFORE ASSEMBLY AND OPERATION OF THE EQUIPMENT!"

LIMITED WARRANTY

Brinly-Hardy Company warrants only to the original retail purchaser that this product will remain free of defects in workmanship and materials under normal use and service for a period of two (2) years (NOTE: ninety (90) days for commercial or rental use) commencing with the date of purchase.

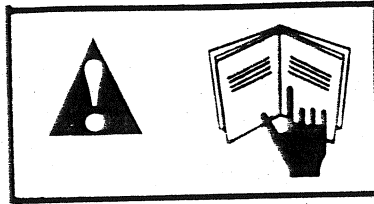
Any parts found to be defective within the warranty period will be replaced, with proof of date of purchase, at Brinly-Hardy Company's expense. Our obligation under this warranty is expressly limited to replacement or repair, at our option of parts which are defective in material or workmanship within thirty (30) days of receipt of the parts. This warranty does not apply to damage caused by unreasonable use, including failure to provide necessary maintenance, nor does it apply to any transportation or labor charges.

WE MAKE NO OTHER EXPRESS WARRANTY NOR IS ANYONE AUTHORIZED TO MAKE ANY ON OUR BEHALF. ANY IMPLIED OR STATUTORY WARRANTIES, INCLUDING ANY WARRANTY OF MERCHANTABILITY OR FITNESS FOR A PARTICULAR PURPOSE, ARE LIMITED TO THE DURATION OF THIS WRITTEN WARRANTY. WE SHALL NOT BE LIABLE FOR CONSEQUENTIAL OR INCIDENTAL DAMAGES OF ANY KIND.

BRINLY-HARDY COMPANY (502) 585-3351

MADE IN U.S.A.

CONGRATULATIONS on your purchase of this Brinly Attachment. It has been designed, engineered, and manufactured to give you the best possible dependability and performance.



Please read and retain this manual. The instructions will enable you to assemble and maintain your Attachment properly. Always observe the "SAFETY RULES".

Should the need ever exist for repair parts, order through most any Lawn and Garden dealer, using part number and description.



RULES FOR SAFE OPERATION

- Know controls and how to stop quickly, READ THE OWNER'S MANUAL.
- Do not allow children to operate the vehicle, do not allow adults to operate without proper instruction and without having read the owner's manual.
- Do not carry passengers. Keep children and pets a safe distance away.
- Always wear substantial footwear. Do not wear loose fitting clothing that can get caught in moving parts.
- Keep your eyes and mind on your tractor/attachment and area being covered. Don't let other interests distract you.
- Stay alert for holes in the terrain and other hidden hazards.
- Keep the vehicle and attachments in good operating condition and keep safety devices in place.
- Keep all nuts, bolts and screws tight to be sure the equipment is in safe working condition.
- The vehicle and attachment should be stopped and inspected for damage after striking a foreign object. The damage should be repaired before restarting and operating the equipment.
- See tractor equipment owner's manual for safe operation of the equipment.
- Do not drive close to creeks, ditches and public highways.
- Watch out for traffic when crossing or near roadways.
- When using any attachment, don't allow anyone near the vehicle while in operation.



CAUTION

- Never operate Thatcherator without safety wires installed.
- Always disconnect Thatcherator from tractor when cleaning or servicing unit.
- To avoid damage to Tines, always engage Wheels to transport position when crossing concrete or asphalt walks drives or roads
- Do not stand or ride on Thatcherator, bodily injury could result.
- Only tow your Thatcherator behind vehicles for which it was designed, riders and lawn/garden tractors.
- To avoid possible personal injury and/or equipment damage, never exceed the recommended operating speed range of 3 to 5 M.P.H.
- When backing-carefully back straight to avoid jack-knifing which could result in damage to equipment.

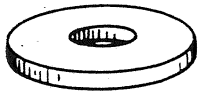


LOOK FOR THIS SYMBOL TO POINT OUT IMPORTANT SAFETY PRECAUTIONS. IT MEANS - ATTENTION! BECOME ALERT! YOUR SAFETY IS INVOLVED.

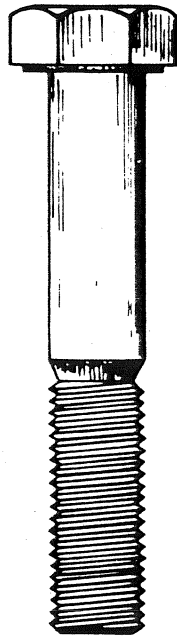
CUSTOMER RESPONSIBILITIES

- Read and observe the "SAFETY RULES".
- Follow a regular schedule in maintaining, caring for and using your Thatcherator.

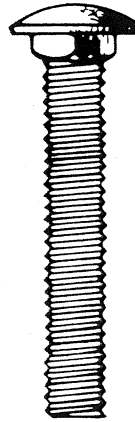
HARDWARE



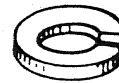
No. 3 - R-618
Special Washer



No. 14 - 1M1648P
Hex Head Bolt
1/2" x 3"



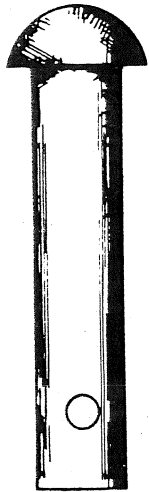
No. 15 - 10M1032P
Carriage Bolt
5/16" x 2"



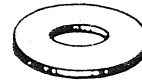
No. 19 - 40M1000P
Lock Washer, 5/16"



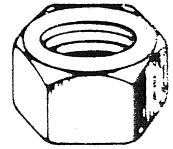
No. 17 - 30M1100P
Hex Nut, 5/16"



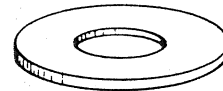
No. 22-B-3861
Drawbar Pin
1/2"x2-1/4"



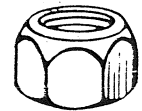
No. 20 - 45M1111P
Flat Washer, 5/16"



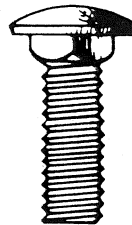
No. 18 - 30M1600P
Hex Nut, 1/2"



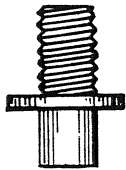
No. 21 - 45M1717P
Flat Washer, 1/2"



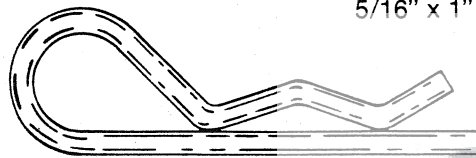
No. 27-B-1675P
Hex Lock Nut, 3/8"



No. 16 - 11M1016P
Carriage Bolt
5/16" x 1"



No. 26 - R-1945
Lock Pin



No. 23 D-146P
Hairpin Cotter, 1/8"



No. 25 - 2M1016P
Hex Head Bolt
5/16" X 1"



No. 24-2M1020P
Hex Head Bolt
5/16 x 1-14"

ASSEMBLY

NOTES:

- It is recommended that you carefully read this Owner's Manual BEFORE starting assembly of the unit.
 - Fold out carton to use as a pad during assembly and arrange each kind of hardware into a group to ease assembly.
 - The Lock Nut must be used where specified. It has a slightly oblong hole and is domed on one end.
- NOTE: All reference to left and right are made while standing **BEHIND** the Thatcherator and facing forward.

TOOLS REQUIRED FOR ASSEMBLY

- 1 - Large pair of pliers (slip joint recommended).
- 1 - Screwdriver (flat)
- 2 - Medium size adjustable wrenches
or
- 1 - Adjustable wrench and set of open-end wrenches.

Refer to Figure 1.

- Lay the Tine Tray (5) upside down. The "dimples" will project upward.
- The Tines (2) must be installed with the "Tips" facing the front flange. Attach the ten Tines (2) to the Tray (5) using 5/16" x 1" Carriage Bolts (16), Special Washers (3), 5/16" Lock Washers (19) and 5/16" Hex Nuts (17). NOTE: Leave the SECOND Carriage Bolt from RIGHT SIDE, near rear of Tine Tray, loose for assembly of Mount Bracket (4) in Figure 2.
- IMPORTANT:** Make sure the loop between each Tine's coil is positioned BETWEEN the projections (dimples) on the Tray.
- Tighten fasteners (except one noted) securely.
- Insert each of the two Safety Wires (13) through the coils of each roll of Tines. Using Pliers, bend the ends of wires as shown in Illustration "A". Be sure each end is bent completely over the straight portion of the Safety Wire.



WARNING!

Failure to install Safety Wires can result in personal injury should a Tine disengage from the Tine Tray

- Turn Tine Tray over (right side up) with the Tine Tips touching the ground.

Refer to Figure 2.

- Attach each of the two Tray Mount Brackets (4) to the Tine Tray (5), with the small flange resting on the Tray surface and facing Tray end. Secure using four 5/16" x 1" Carriage Bolts (16), Lock Washers (19) and Hex Nuts (17). Tighten securely.
- Attach two Pull/Transport Bars (12) and the Lift Lock Plate (8) to INSIDE surfaces of Tray Mount Brackets (4) as shown. Secure with 5/16" x 1" Carriage Bolts (16), Flat Washers (20-next to slots only), Lock Washers (19) and Hex Nuts (17). Do not tighten at this time.
- NOTE: Align rear hole in Lift Lock Plate (8) with rear hole in Pull/Transport Bar (12) and Bars even at front.
- Assemble both Clevis pieces (10) to the front of Pull/Transport Bars (12) as shown, using two 5/16" x 2" Carriage Bolts (15), Lock Washers (19) and Hex Nuts (17). Slide Clevis pieces (10) forward until front Carriage Bolt (15) is within 1/4" from the end of Pull/Transport Bars (12). Do not tighten at this time.

Refer to Figure 3.

- Attach Wheel Mount Bar (6- side with two holes next to Lift Lock Plate) to rear holes in Pull/Transport Bars (and Lift Lock Plate [8]-at left side) Secure with 5/16"x1" Hex Bolt (25-at right side), 5/16"x1-1/4" Hex Bolt (24- at left side) and 5/16" Hex Lock Nuts (27-has oval hole). Tighten so Bar is barely free to pivot.
- Pre-assemble Lift Lock Pin (26) into hole in Lift Bar (7), with Pin extending away from bend in Lift Bar. Secure with 5/16" Lock Washer (19) and 5/16" Hex Nut (17). Tighten securely.
- Slide the Vinyl Grip (28) over long end of Lift Bar (7).
- Attach the Lift Bar (7) to holes in top of previously assembled Wheel Mount Bar (6). Secure using two 5/16" x 1" Carriage Bolts (16), Lock Washers (19) and Hex Nuts (17). Push the Lift Bar against Lift Lock Plate (8) and tighten Bolts securely.

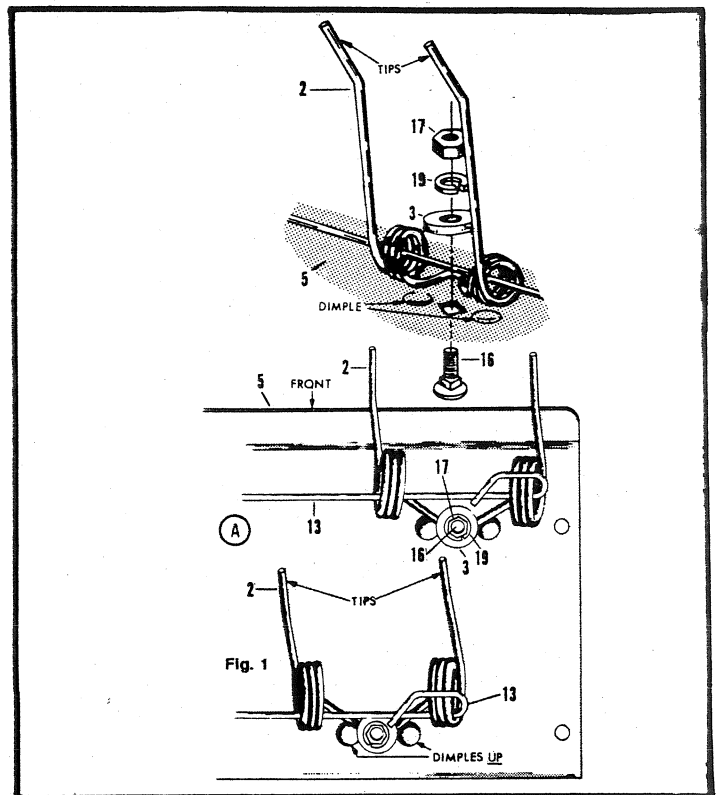


Fig. 1

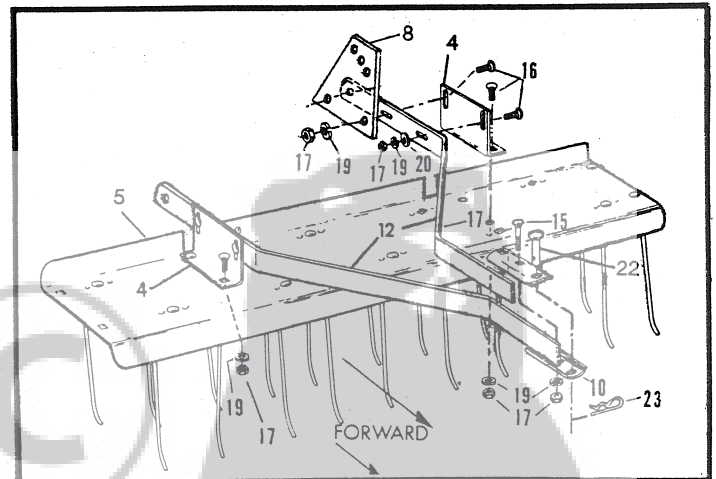


Fig. 2

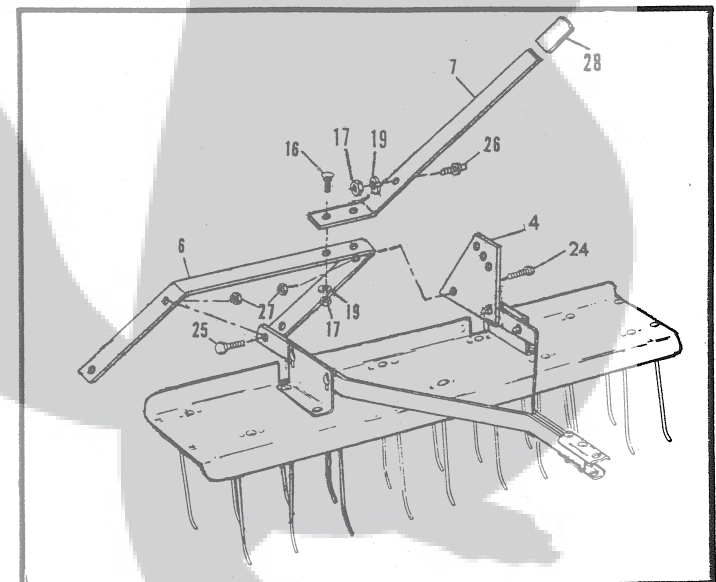


Fig. 3

Refer to Figure 4

- Slip one 1/2" Flat Washer (21) on each of the two 1/2"x 3" Hex Bolts (14), followed by a Wheel(9) and another 1/2" Flat Washer (21).

NOTE: Be sure each wheel hub is on the threaded end of the bolt, not the "Head" end.

- Now, thread one 1/2" Hex Nut (18) on each bolt allowing the wheel to rotate freely while keeping the "SIDE PLAY" to a minimum.
- Insert both 1/2"x 3" Hex Bolts (14) into each Wheel Mount Bar (6) from the outside as shown and then secure with 1/2" Hex Nuts (18).
- Securely tighten all fasteners!
- Attach the Logo Decal (1) as shown on the exploded view on page 6.

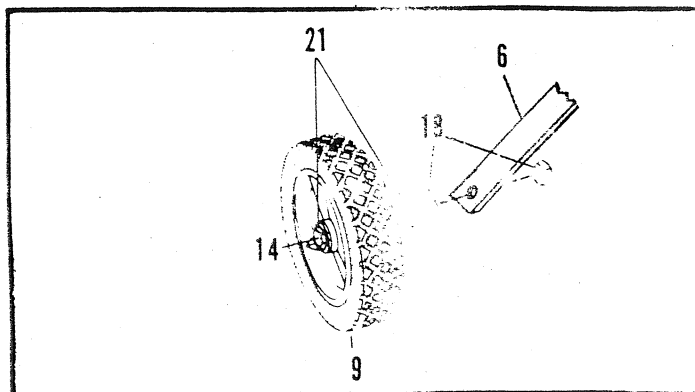


Fig. 4

MOUNTING AND ADJUSTMENT

Refer to Figure 5.

- Select a smooth flat surface such as a driveway, sidewalk, garage floor, etc.. Attach the Thatcherator to your Rider/Tractor.
 - Position the Lift Bar (7) in the center position of Lift Lock Plate (8). This position is for dethatching.
- NOTE: The Lift Lock Plate has three holes for adjustment in it. The top hole is for transport, center hole for dethatching and bottom hole is used as a thatcherator (limit of 50 lbs. of weight recommended).
- Make adjustments to the Pull/Transport Bars (12) at the Tray Mount Brackets (4) as necessary to place the Tine Tips about 1/2" off flat surface when in the "free" position. The Tine Tips should touch surface when manually deflected back. Refer to Figure 5. Tighten all Bolts securely to hold this position.

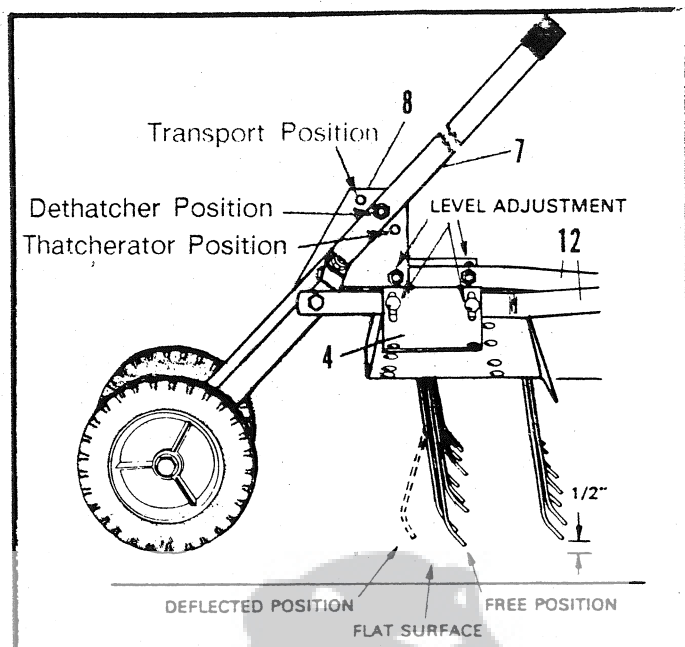


Fig. 5

OPERATION

Refer to Figure 6.

- TINE ACTION-Grass should be less than 3" tall for proper tine action.
- When in use all tines on the Thatcherator should deflect back and "flip" the thatch forward as shown in Fig. 6.
- If the tines seem to drag without flipping forward, the tine tray is too low and should be raised.
- If all the tines stay in the free position, the tray should be lowered.
- Make adjustments as necessary, up or down, by no more than 1/4" each time, until proper results are achieved.

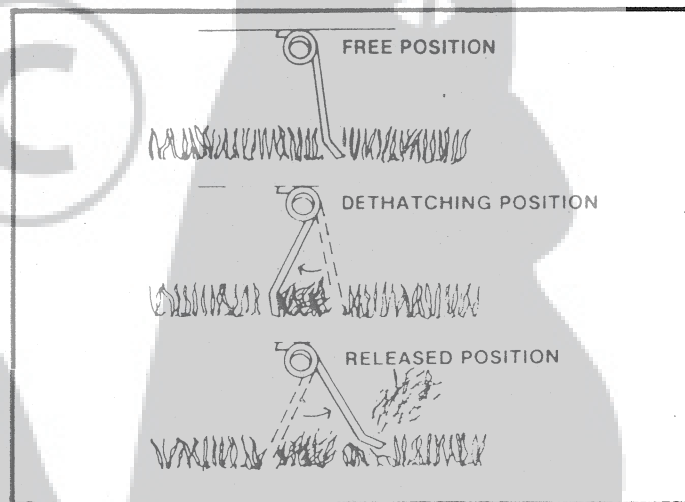


Fig. 6

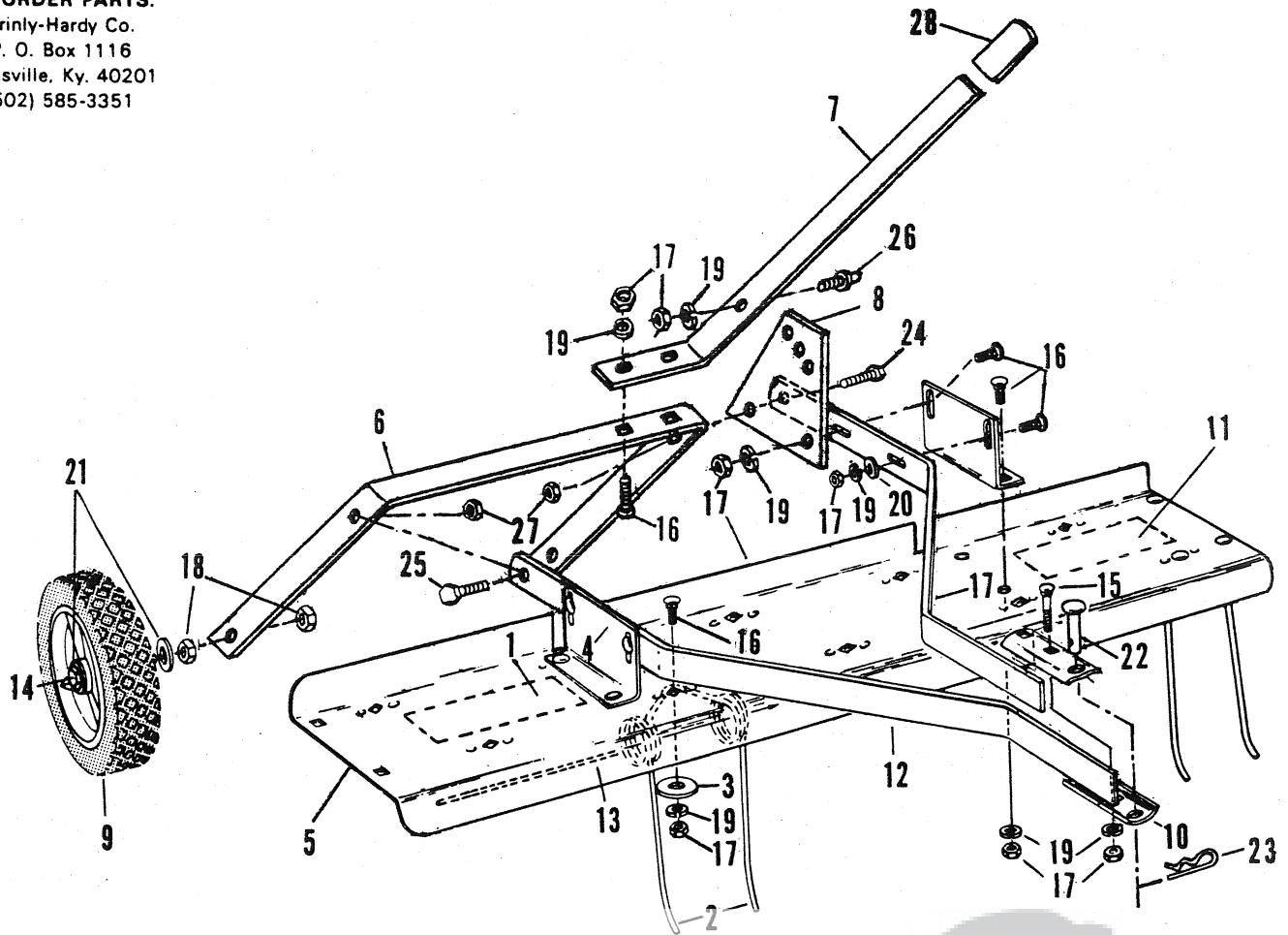
MAINTENANCE

Note: The Thatcherator is essentially maintenance free. However, as with any steel product, it can rust.

- To prevent or eliminate rust on tines, apply a light coat of oil on them after each use.

- Should rust appear on any part of your Thatcherator, sand lightly to remove rust and coat lightly with enamel.
- Periodically check tightness of all fasteners.
- For long life, store the Thatcherator in a dry area.

TO ORDER PARTS:
 Brinly-Hardy Co.
 P. O. Box 1116
 Louisville, Ky. 40201
 (502) 585-3351



**TA-40 BH
 PARTS LIST**

REF. NO.	PART NO.	DESCRIPTION	QTY.	REF. NO.	PART NO.	DESCRIPTION	QTY.
1	B-4679	Logo Decal	1	15	10M1032P	Carriage Bolt, 5/16"x 2"	2
2	R-616	Tine	10	16	11M1016P	Carriage Bolt, 5/16"x 1"	20
3	R-618	Special Washer	10	17	30M1000P	Hex. Nut, 5/16"	23
4	R-713-10	Tray Mount Bracket	2	18	30M1600P	Hex. Nut, 1/2"	4
5	R-885-10	Tine Tray	1	19	40M1000P	Lock Washer, 5/16"	23
6	R-1943-10	Wheel Mount Bar	1	20	45M1111P	Flat Washer, 5/16"	6
7	R-1942-10	Lift Bar	1	21	45M1717P	Flat Washer, 1/2"	4
8	R-1941-10	Lift Lock Plate	1	22	B-3861	Drawbar Pin, 1/2"x 2-1/2"	1
9	R-891	Wheel	2	23	B-146P	Hairpin Cotter, 1/8"	1
10	R-892-10	Clevis	2	24	2M1020P	Hex. Bolt, 5/16"x 1-1/4"	1
11	R-1946	Caution Decal	1	25	2M1016P	Hex. Bolt, 5/16"x 1"	1
12	R-1940-10	Pull/Transport Bar	2	26	R-1945	Lock Pin	1
13	R-1503	Safety Wire	2	27	B-1675P	Hex. Lock Nut, 5/16"	2
14	1M1648P	Hex. Bolt, 1/2"x 3"	2	28	R-803	Vinyl Grip	1