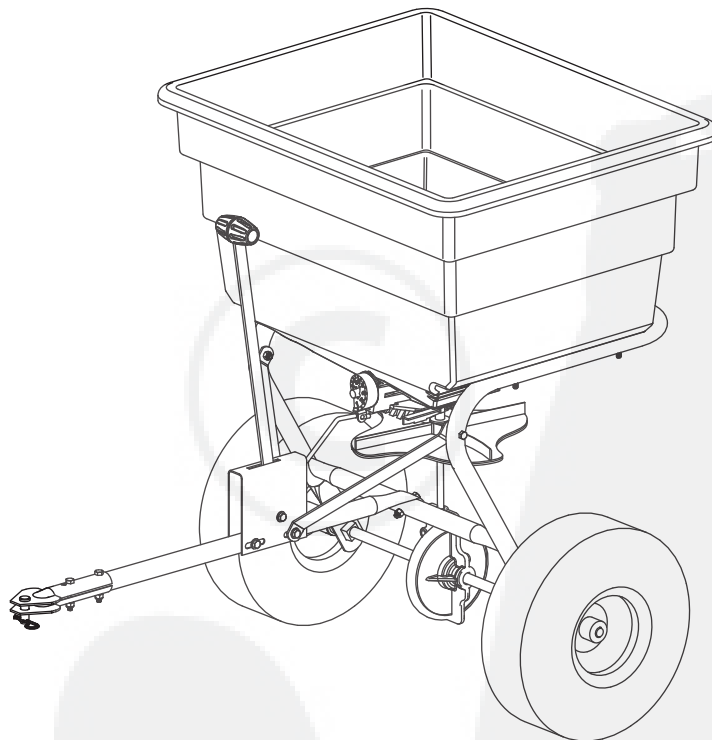




Operator's Manual

Model P30 Series

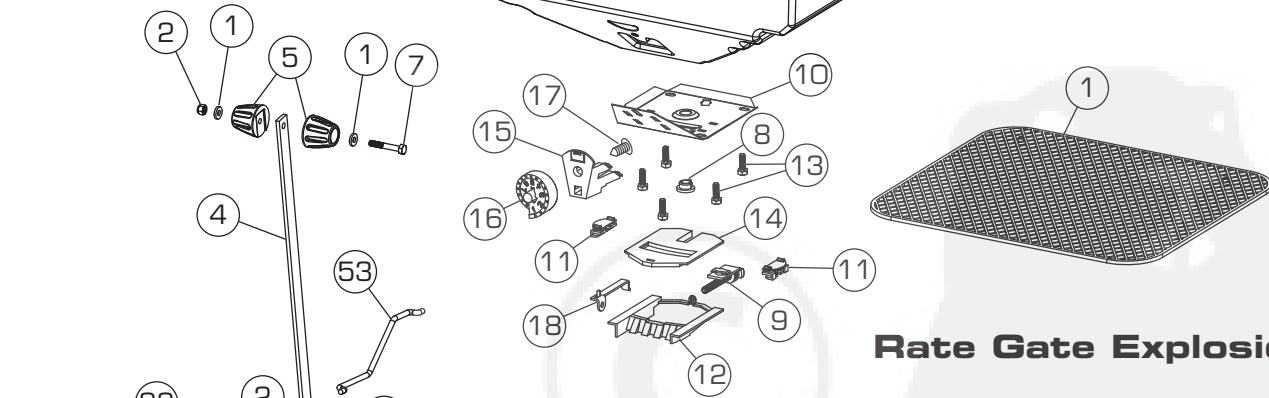
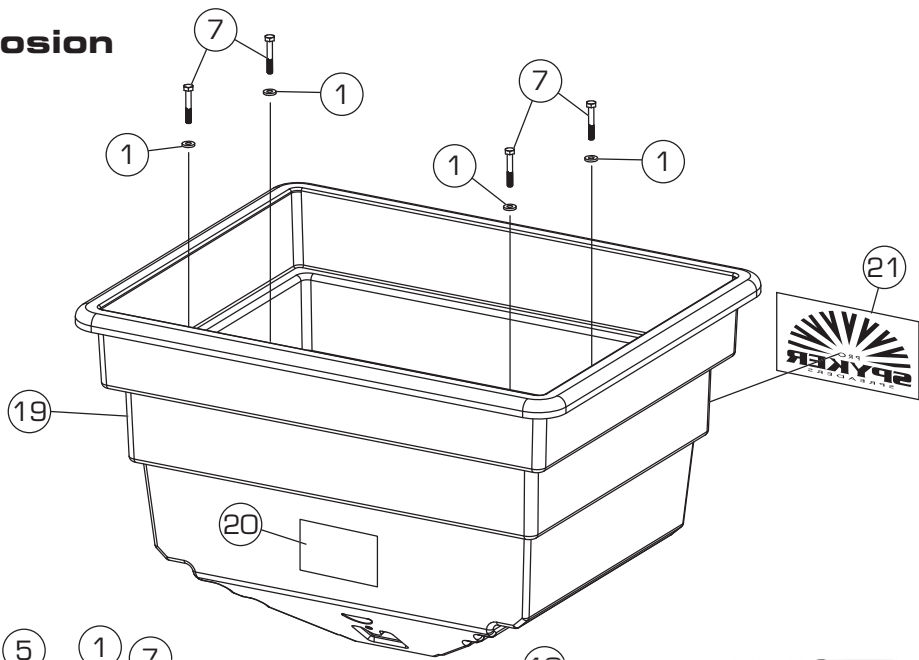


▲ IMPORTANT

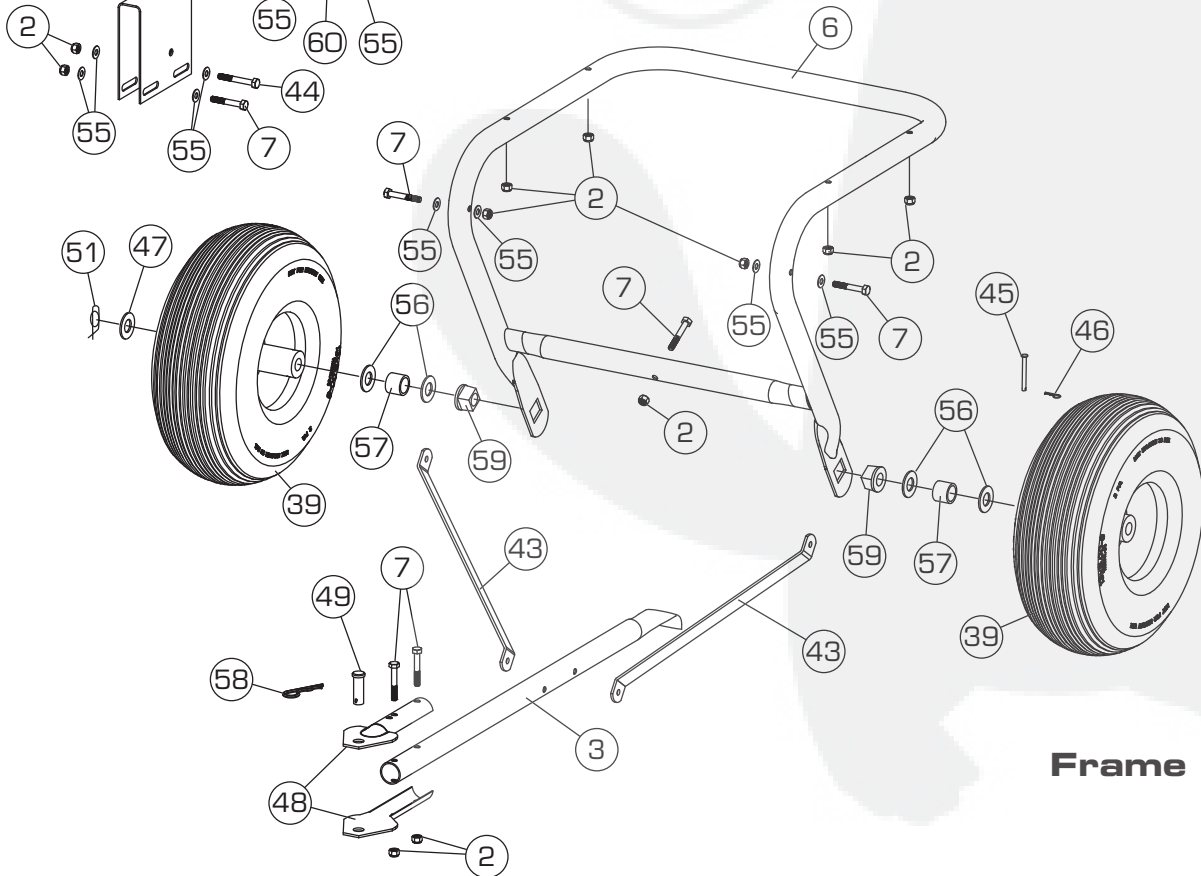
This manual contains information for the safety of persons and property. Read it carefully before assembly and operation of the equipment!

Spyker Spreaders
Contact Us at 800.972.6130

Hopper Explosion

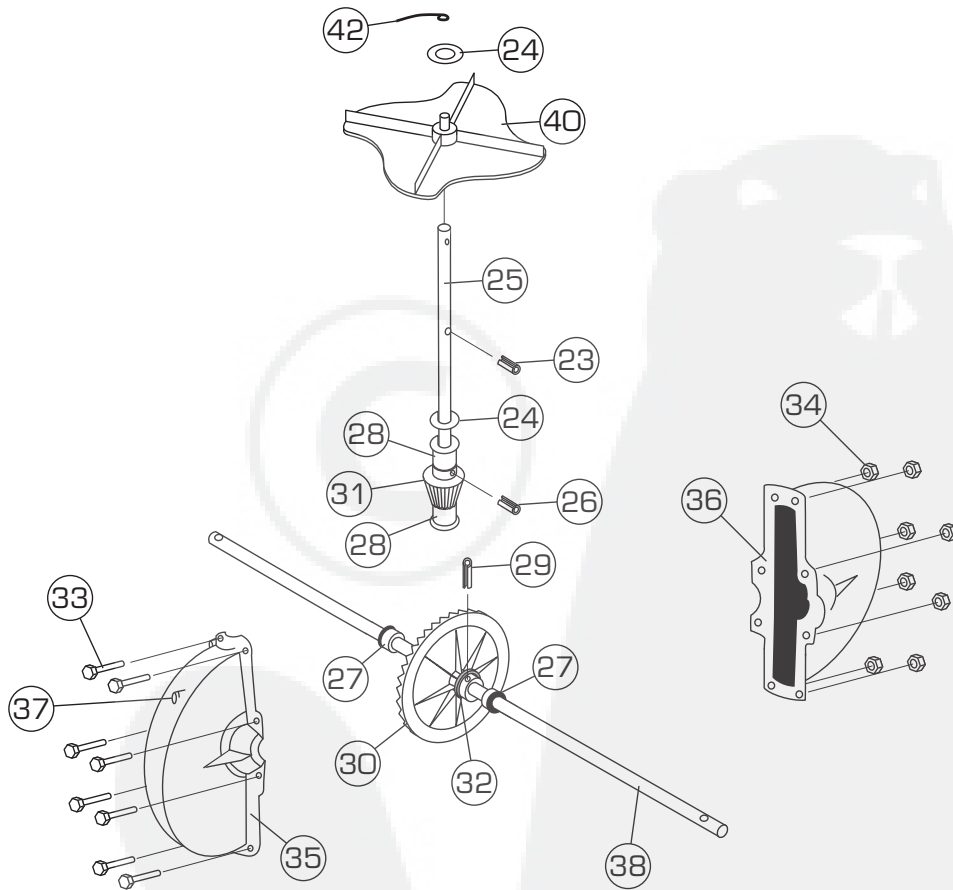


Rate Gate Explosion



Frame Explosion

Spinner/Axle Explosion



No.	Part Number	Qty	Description	No.	Part Number	Qty	Description
1	05-94-0064	6	Nylon Washer	32	05-288-1027	1	Nylon Pin Retainer
2	SS-91-0004	13	1/4-20 Nylon Locknut, SS	33	05-90-0097	8	#10-24 x 5/8" Flange Head Bolt, SS
3	1007745-01	1	Towtube, Polished	34	05-91-0008	8	#10-24 Nylon Locknut, SS
	1007744-10	1	Towtube, Painted				
4	1007746-01	1	Control Handle, Polished	35	05-94-0037	1	Gear Box Cover Front
	1007740-10	1	Control Handle, Painted	36	05-94-0038	1	Gear Box Cover Rear
5	1007828	2	Handle Knob	37	05-98-0111	1	Grease Zerk
6	1008023-01	1	Frame, Polished	38	1008125	1	Axle
	1008026-10	1	Frame, Painted	39	05-95-0016-JD	2	Wheel
7	05-90-0080	11	1/4-20 x 1-3/4" Hex Bolt SS	40	SS-94-0012-1	1	Spinner
				41	1008104	1	Screen
8	SS-94-0007	1	Hopper Bottom Bearing	42	SS-96-0003	1	Agitator Wire
9	05-44-2210	1	Accuway Screw Assembly	43	05-179-0040	2	Tow Bar Brace, SS
10	05-71-2205	1	Hopper Bottom Plate		1000566-10	2	Tow Bar Brace, Painted
11	05-94-0042	2	Rate Gate/Accuway Guide	44	05-90-0038	1	1/4-20 x 2" Hex Bolt, SS
				45	05-90-0065	1	3/16 x 1-3/4" Clevis Pin
12	05-94-0043	1	Accuway Diffuser	46	05-90-0089	1	Hairpin Cotter, Large
13	99-10-0205	5	1/4-20 x 1/2" Bolt, SS	47	05-92-0004	1	Wheel Washer, SS
14	05-94-0068	1	Rate Gate	48	1001693-01	2	Hitch Plate, Polished
15	05-94-0069	1	Dial Mount		1001147-10	2	Hitch Plate, Painted
16	SS-94-0006	1	Plastic Dial	49	SS-90-0006	1	Clevis Pin
17	05-94-0078	1	Pine Tree Clip	50	05-92-0014	1	Nylon Spacer
18	05-24-1102	1	Rate Gate Link, Polished	51	05-90-0040	1	Rue Ring Locking Pin
19	1008128	1	Hopper, 12520 Series	52	1007739-01	1	Control Bracket, Polished
	1008132	1	Hopper, 17520 Series		1007709-10	1	Control Bracket, Painted
20	05-93-0075	1	Spyker Accuway Label	53	1007742	1	Control Link
21	1008067	1	Spyker Decal	54	SS-90-0011	1	1/4-20 x 1-1/4" Hex Bolt, SS
22	1008165	1	Flow Control Decal				
23	SS-90-0002	1	Roll Pin 1/8 x 7/8"	55	45M0909SS	10	Washer, SS
24	SS-92-0002	2	Felt Washer	56	45M2121P	4	5/8" Flat Washer
25	05-125-0070	1	Spinner Shaft	57	B-6978-01	2	Spacer
26	SS-90-0001	1	Roll Pin 1/8 x 3/4"	58	D-146P	1	Hairpin Cotter, Small
27	05-90-0093	2	5/8" Gearbox Bushing	59	F-283	2	Axle Bearing
28	05-90-0094	2	3/8" Spinner Shaft Bushing	60	F-575	1	Special Thick Washer
				61	1008146	1	Operation Manual
29	05-90-0096	1	3/16 x 1" Dowel Pin, SS				
30	05-94-0033	1	Bevel Gear				
31	05-94-0034	1	Pinion Gear				

1. Install spinner to spinner shaft. Press down on spinner until it snaps into place on the roll pin, Figure 1.
2. Install axle/transmission assembly into frame as shown, Figure 1. **IMPORTANT!** Note the orientation of the axle/transmission assembly is critical. See the hole locations in Figure 1. One side has hole near the end of the axle, the other next to the frame.

3. Slide the axle bearings over the axle and into place in the frame, Figure 1.

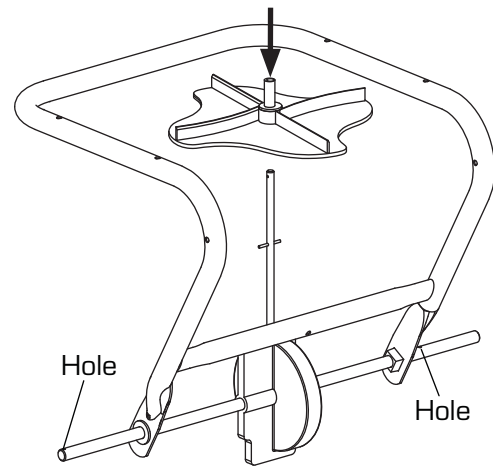


Figure 1

4. Install a 5/8" metal washer, axle spacer, and a second 5/8" metal washer onto axle, Figure 2. Slide wheel onto axle. Repeat on other side.

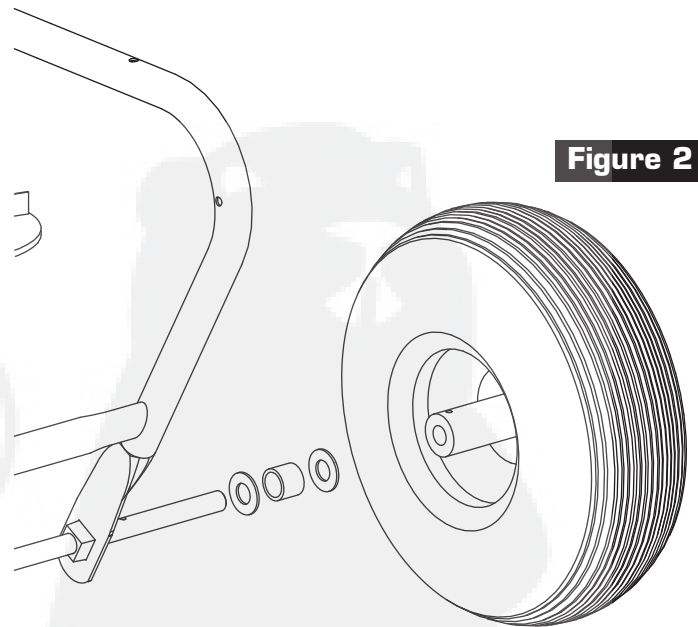


Figure 2

5. On the drive side of the axle, insert the small clevis pin through the holes in the wheel and axle, Figure 3. Install Small Cotter Pin.

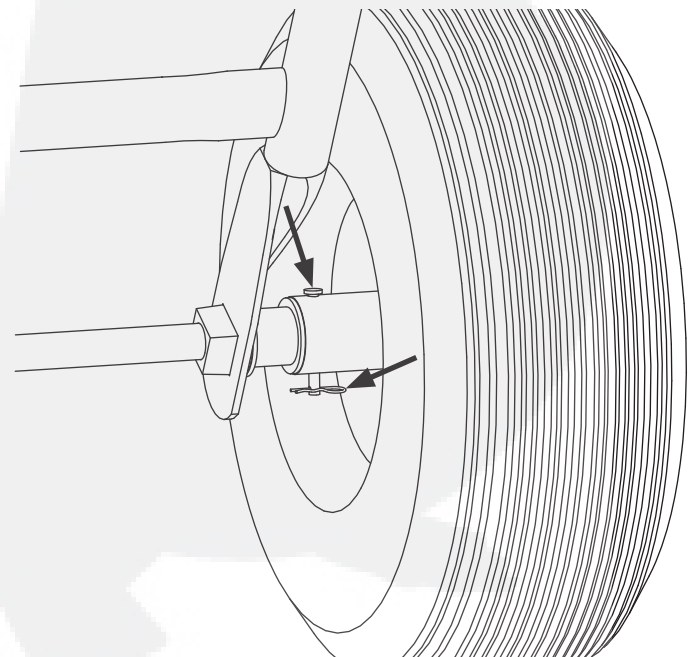


Figure 3

6. On the other side of the axle install a wheel washer and rue ring locking pin, Figure 4.

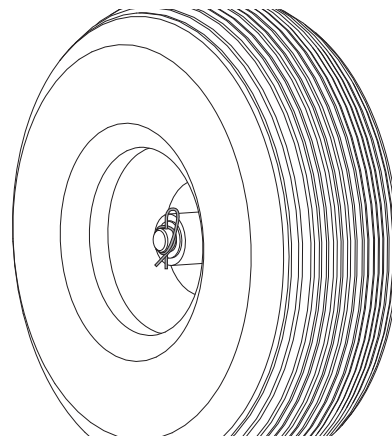


Figure 4

7. Place hopper onto frame. **IMPORTANT!** Note orientation of rate dial. Be sure to slide spinner shaft into hopper, Figure 5.
8. Insert 1/4" Nylon Washer onto 1/4-20 x 1-3/4" Bolt. Insert through hopper and frame. Attach finger tight only with 1/4" Nylon Insert Locknut, Figure 5. Repeat for remaining 3 bolts, washers, and nuts. Tighten fully.

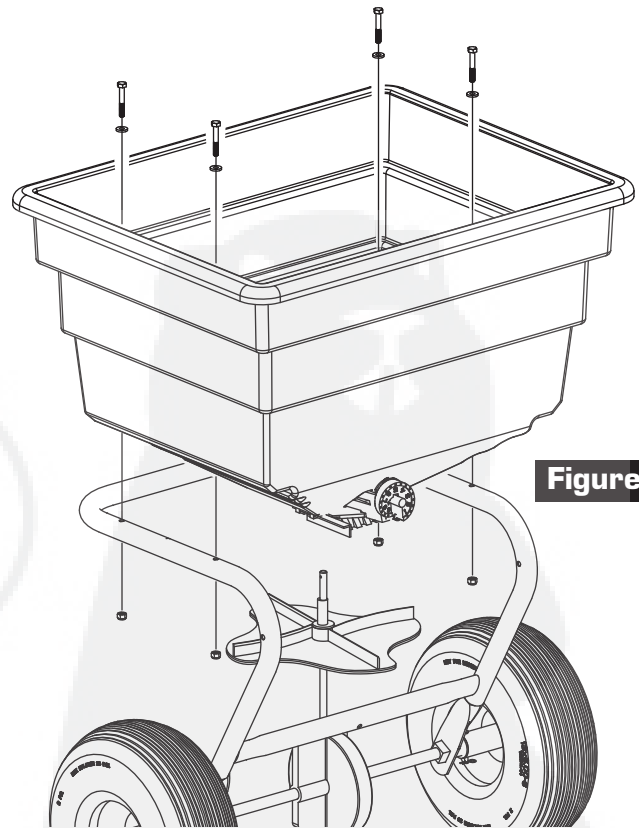


Figure 5

9. Slide felt washer over spinner shaft, Figure 6. Insert Agitator wire by sliding through the hole in the spinner shaft as shown. **IMPORTANT:** Note orientation of agitator wire when installing.

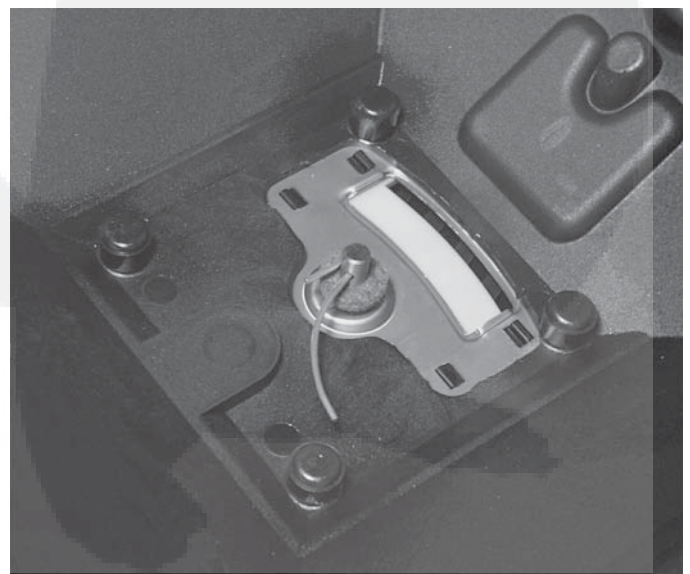


Figure 6

10. Install Hitch Tow Bar onto frame, Figure 7. Attach with 1/4-20 x 1-3/4" Bolt and 1/4" Nylon Insert Locknut.

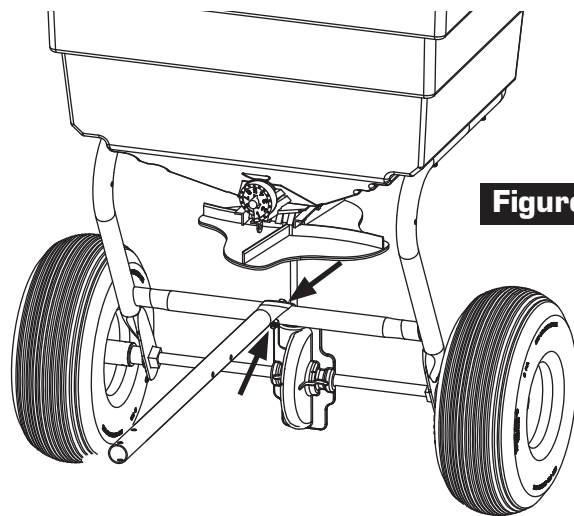


Figure 7

11. Install Hitch Plates to end of Tow Bar using 1/4-20 x 1-3/4" Bolts and 1/4" Nylon Insert Locknuts, Figure 8. Install Hitch Pin and Large Cotter Pin, Figure 8.

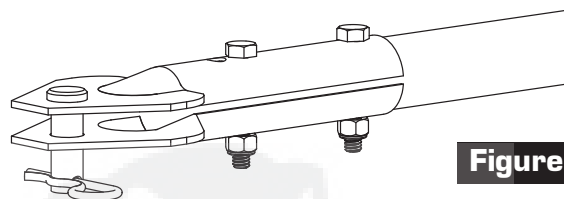


Figure 8

12. Slide Control Lever into U shaped bracket as shown, Figure 9. The label on the U shaped bracket faces the hopper.

13. Install Control Linkage into Control Lever. NOTE orientation of on-off label on U shaped bracket. The shorter section of linkage should face upward and away from lever as shown, Figure 9.

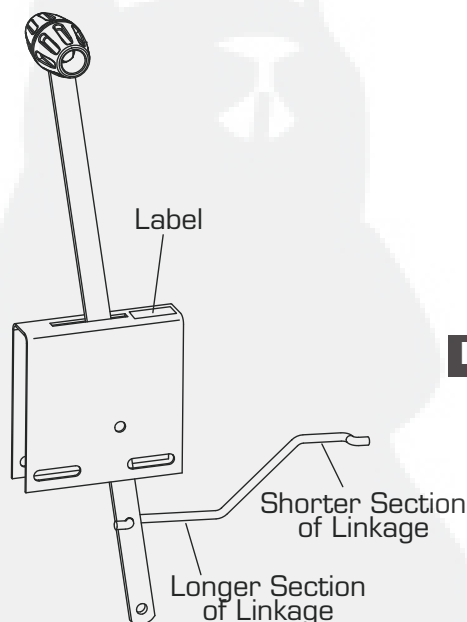
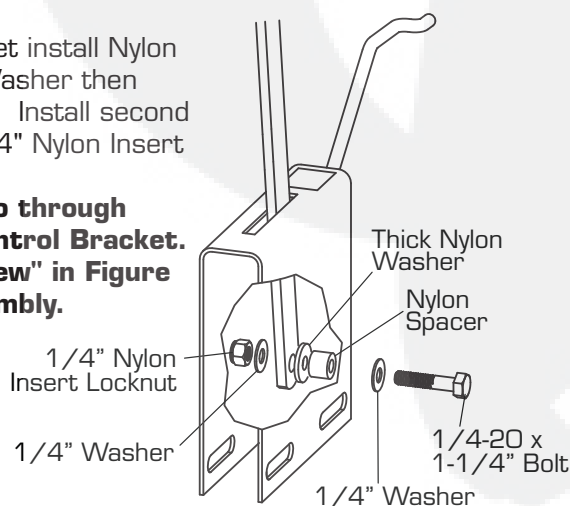


Figure 9

14. Install 1/4-20 x 1-1/4" Bolt and 1/4" Washer through the U shaped bracket, Figure 10.

15. From inside the bracket install Nylon Spacer, Thick Nylon Washer then through Control Lever. Install second 1/4" Washer and 1/4" Nylon Insert Locknut. Tighten.

NOTE: The bolt will not go through both sides of the Control Bracket. Refer to the "End View" in Figure 10 for detailed assembly.



Angled View

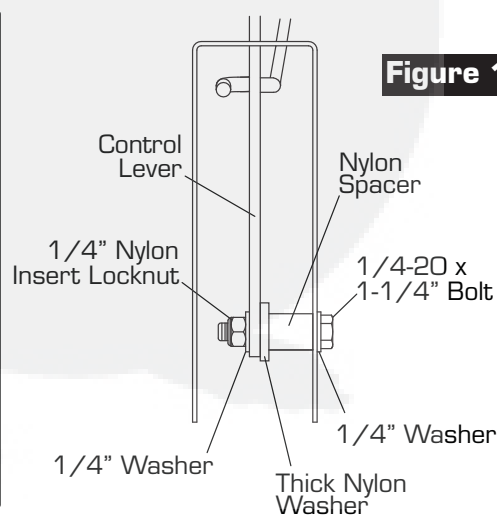


Figure 10

End View

16. Turn Control Bracket assembly sideways as shown, Figure 11. Install end of linkage into rate gate bracket.

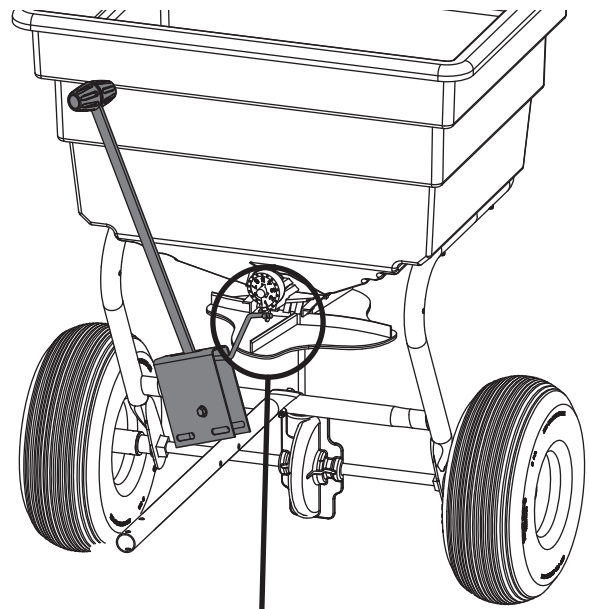


Figure 11

17. Install front of control lever assembly onto Tow Bar with 1/4-20 x 1-3/4" Bolt, 1/4" Washer (one on each side of tow bar) and 1/4" Nylon Insert Locknut, Figure 12. Do not fully tighten at this point.

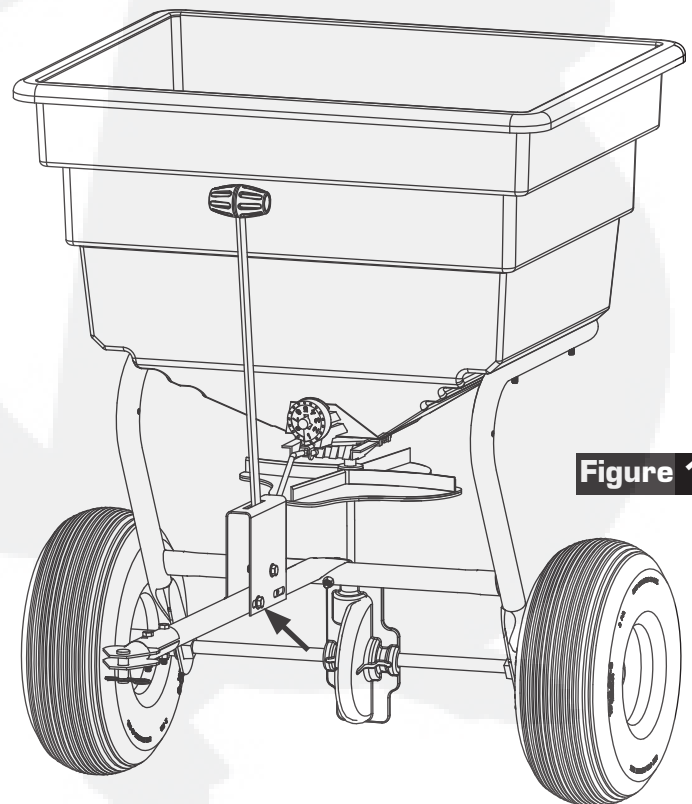


Figure 12

18. Install Frame Braces to Frame using 1/4-20 x 1-3/4" Bolt, 1/4" Washer (one on each side) and 1/4" Nylon Insert Locknut, Figure 13.
19. Attach Frame Braces to Tow Tube/Control Lever Assembly using 1/4-20 x 2" Bolt, 1/4" Washers (one on each side), and 1/4" Nylon Insert Locknut.

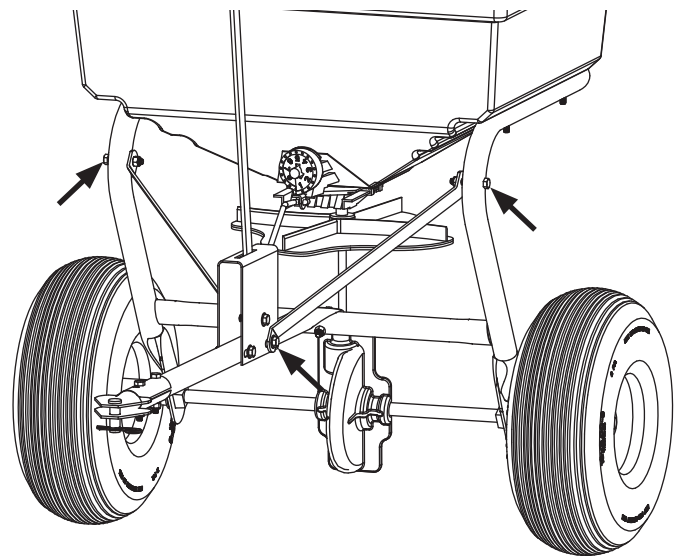


Figure 13

20. With rate gate dial set to 0, move control lever back and forth and ensure rate gate opens and closes fully, Figure 14. If necessary adjust Control Lever Bracket assembly forward or necessary. Fully tighten hardware from steps 17 and 19 that hold Control Lever Bracket in place.
21. Install Screen into Spreader.

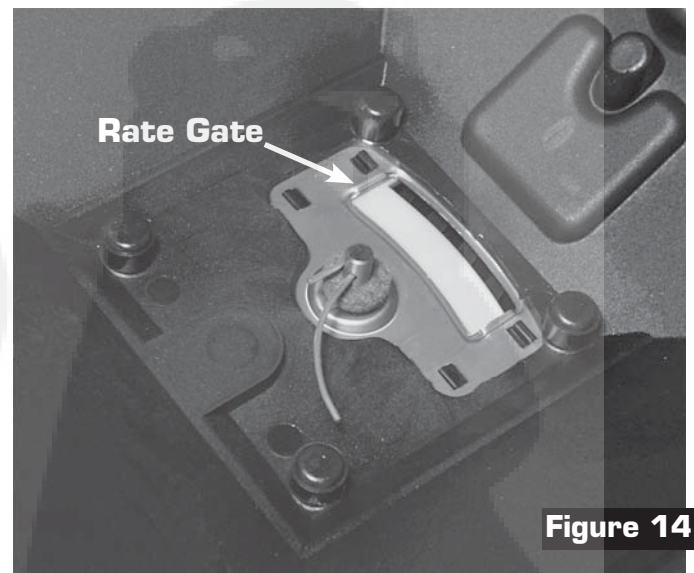


Figure 14

READ BEFORE USING

OPERATE SAFELY

Keep bystanders away when you operate this machine.

Use this machine for intended purpose only.

Do not let children or an untrained person operate machine.

Keep all parts in good condition and properly installed. Fix damaged parts immediately. Replace worn or broken parts.

Do not modify the machine or safety devices. Unauthorized modifications to the machine may impair its function and safety, and void the warranty.

Do not let anyone sit or ride on equipment during operation. Keep riders off attachment.

Wear substantial footwear and long trousers. Do not operate the equipment when barefoot or wearing open sandals.

Do not wear loose fitting clothing that can get caught in moving parts.

Always wear eye protection when operating the equipment.

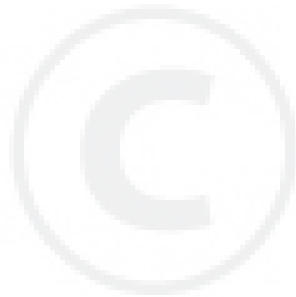
Stay alert for holes in the terrain and other hidden hazards.

Watch out for traffic when crossing or near roadways.

Before you operate any feature of this machine, observe your surroundings and look for bystanders.

Always wash hands after contact with fertilizers and pesticides.

Keep all nuts, bolts and screws tight to be sure the equipment is in safe working condition.



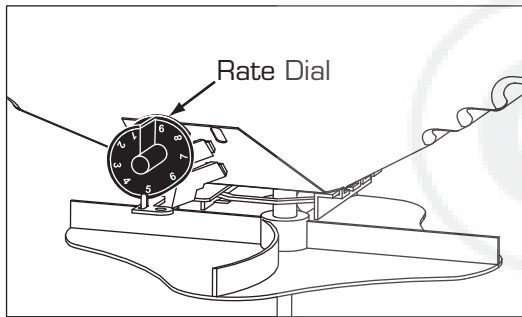
READ BEFORE USING

Become Familiar With The Operation Of The Spreader Before You Put Material In The Hopper

- Practice walking with the spreader, opening and closing the rate gate at the appropriate times.
- Travel at a constant speed and operate the spreader lever position. Remember: Open the rate gate after the spreader is in motion at operating speed (about 3 mph, or at a brisk walking pace).
- Close the rate gate while spreader is still at operational speed.

Dial Setting Information

The RATE DIAL has 9 numbers with 10 stops between each number. This allows for accurate control of the spreading rate. The dial is set with only a turn, it will automatically lock into the set position. **LINE UP THE DIAL NUMBER WITH THE DIAL INDICATOR.**



- The spread width ranges from 4 - 12 ft. wide depending on the volume/density, particle size of the material, and rate of travel.
- The spread thins or feathers at the outer edges, eliminating sharp, "Edge Of Spread" lines which cause stripes and streaks. Extra coverage can be given under trees and other heavy feeding areas without showing "Edge Of Spread" lines.
- Gaps and double overlaps are less likely. Small errors in travel are forgiven and do not show.

WARNING: When spreading products containing herbicides, exercise extreme caution with respect to careless spreading and to wind-drift.

Contact Of Some Products On Some Plants Can Be Fatal

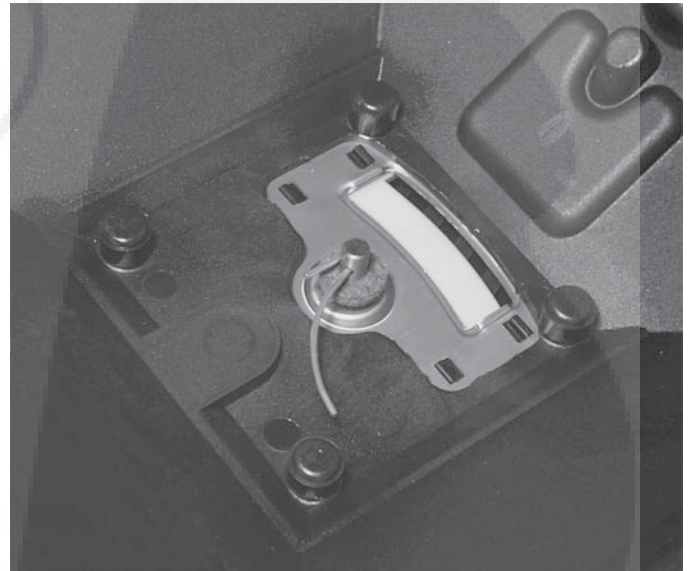
If a dial setting is not found, use the size and weight comparison table found in this manual. Determine a

dial setting on the low side. If the setting proves to be too low, cover the area more than one time. A higher setting can be used when a proven dial setting is established.

Remember: Published dial settings are approximate only. The operation of the spreader, the condition of the material (damp or dry or over-pulverized) and weather conditions, are all contributing factors. For these reasons, it is often a good idea to spread the area 2 times - or one-half rate - in cross directions (SEE INFORMATION ON ONE-HALF RATE DIAL SETTINGS). One-half rate dial settings are highly recommended under damp and humid conditions.

Rotary Agitator

Use the rotary agitator only if needed. Free-flowing, lump-free materials will not require the agitator. The rotary agitator is easily installed or removed. Note the clockwise rotation and sweep. Place felt washer around spinner shaft before inserting agitator.



Now You Are Ready To Put Material In The Hopper

WARNING: Avoid Injury! Chemicals can be dangerous. Avoid injury to operators or bystanders.

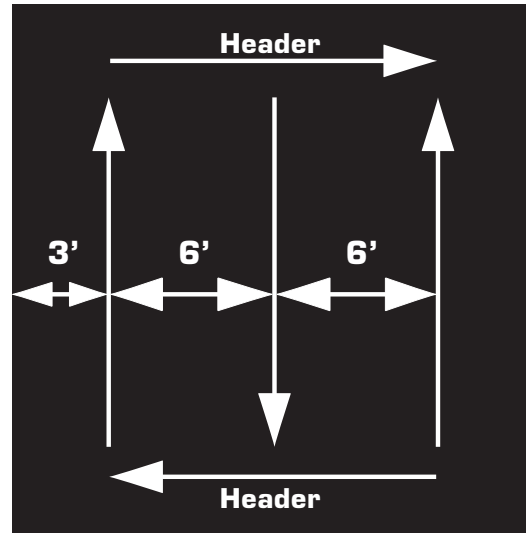
- Make sure the rate gate is in the closed position.
- Read chemical container label for handling instructions. A Material Safety Data Sheet (MSDS) should be supplied by the chemical dealer and provides proper safety information.

READ BEFORE USING

- Wear proper clothing and safety equipment while handling or applying chemicals.
- Prohibit all smoking, drinking, and eating around chemicals.
- When spreading products containing herbicides, exercise extreme caution with respect to careless spreading and to wind-drift. Contact Of Some Products On Some Plants Can Be Fatal.
- Fill the spreader on a flat, level surface only. Fill on sidewalk, driveway, cardboard, etc. to avoid material loss.
- When filling hopper with material, always use screen to help break up clumps.

Now You Are Ready To Spread

- Keep spinner blade clean. Excess material build-up can cause an uneven spread pattern.
- Keep the impeller level when spreading.
- DO NOT overload. Maximum capacity of 12520 Series is 125 lbs. Maximum capacity of 17520 Series is 175 lbs.
- DO NOT use on windy days.
- Spread header strips at the ends of the area OPPOSITE of the direction of spreading. This will provide a "turn-around" area, an area to re-align the spreader for the return spread.
- Example shown is for 6 ft. wide spread. Make the first spread pass at one-half the spread width from the edge of the spreading area or in this case, approximately 3 feet (or one big step).
- Additional spreading passes will be at the full spread width or approximately 6 ft. apart.
- TAKE A SIGHTING AT THE FAR END. Keep your eye on the sighting as you spread. You will not need to wonder where you are or where you have been. Continue until spreading is completed.
- Left over fertilizer can be spread under trees and other high feeding areas without showing "edge of spread" lines.



Cleaning The Spreader Is Part Of The Spreading Job

Clean and oil spreader immediately after each use.

Method #1 - Wipe spreader thoroughly with an oily cloth. Oil all bearings and bearing areas.

Method #2 - Wash, rinse, and dry the spreader. Note: Drying takes time. Moisture trapped in bearing areas is slow to go. Immediately after drying - oil all bearings and moving parts. Make certain all operations are thorough.

NOTE: Good "Dry Cleaning" is preferable to poor "Wet Cleaning".

- It is virtually impossible to have rust and corrosion on a clean, dry, oiled surface.
- Again - just before using - oil all bearings and moving parts.
- In storage, ideally the spreader should be hung by the handle. In any case, do not pile weight on the spreader, as excess weight over a period of time can distort the tires.

Oil Bearings And All Moving Parts

Make sure the spreader is running freely!

ACCUWAY - What It Does

The Accuway Spread Pattern Equalizer Balances the spread pattern - Bulls Eye - Dead to the Center of the Spreader.

All products. All spreading conditions.

Skewing is eliminated. Does not change the spread width.

ACCUWAY - How It Works

Accuway shifts the material placement on the spreader spinner fan. This in turn, balances the pattern heavier to the right or heavier to the left.

Spread pattern can be affected by many variables such as humidity, temperature, wind, spreader condition, speed of travel, material size and weight. Because of these variables, the diffuser must be adjusted for each type of application. Proper adjustment will minimize skewing and uneven coverage.

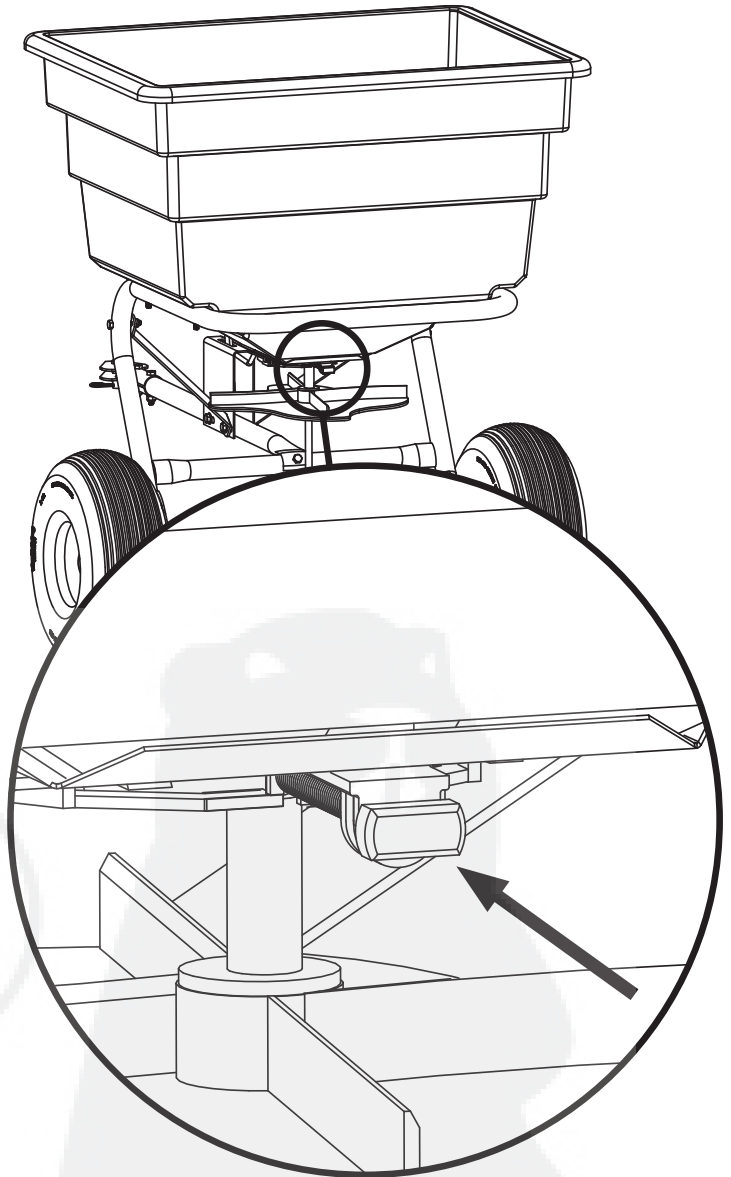
Adjustment is very sensitive. Turning the Accuway Diffuser Knob just a little will result in a drastic change to the spread pattern.

The Accuway Diffuser Plate has a front and a rear ramp. Never adjust so that the diffuser plate splits the material flow to both the front and rear ramp at the same time.

If the spreader is spreading to the left of center, turn the diffuser knob counterclockwise fully. Then adjust clockwise until the edge of the diffuser plate centers the spread.

If the spreader is spreading to the right of center, turn the diffuser knob clockwise fully. Adjust counterclockwise until the edge of the diffuser plate centers the spread.

NEVER USE ACCUWAY FRONT AND REAR RAMPS TO SPLIT THE PRODUCT FLOW. Use only the front side or the back side. With proper adjustment you should be able to achieve a balanced spread pattern.



NOTE: Dial Settings Are Approximate Only !			Dial Settings		Dial Settings	
Product	Particle Size	Lbs. per 1000 sq. ft.	Full Rate	↑ ↓	Half Rate	↕ ↔
			Once Over		Twice Over	
Fine Pellets		1	3.6		3.1	
		2	4.0		3.5	
		3	4.2		3.7	
Mixed Fine Pellets		2	3.7		3.2	
		4	4.7		4.1	
		6	5.2		4.5	
Small Pellets		2	3		2.2	
		4	4.2		3.7	
		6	4.5		4	
Nitrogen Pellets Medium Size		1	3.5		3	
		2	4.2		3.7	
		3	4.7		4	
Medium Pellets And Granuals		2	3.5		3	
		4	4.2		3.8	
		6	5.2		4.5	
Large Heavy Pellets		2	3.8		3.3	
		4	4.9		4.1	
		6	5.9		4.9	

GRASS SEED SPREADING CHART

Product	Bag Weight	Sq. Ft. Coverage	Dial Setting Full Rate	Dial Setting Half Rate	Spread Width
Blue Grass or Red Top	.5 lbs.	1,000	1.25		4
	1 lbs.	1,000	2.0		4
	2 lbs.	1,000	2.5		4
Park, Merion, Delta, or Kentucky Bluegrass	.5 lbs.	1,000	2.5		4
	1 lbs.	1,000	3.0		4
	2 lbs.	1,000	3.5		4
Hulled Bermuda	2 lbs.	1,000	2.75	2.25	6
	3 lbs.	1,000	3.0	2.5	6
	4 lbs.	1,000	3.25	2.75	6
Mixtures Including Coarse Seeds	2 lbs.	1,000	6.0		6
	4 lbs.	1,000	7.0		6
	6 lbs.	1,000	7.0		6
Rye Grasses or Tall Fescue	2 lbs.	1,000	6.0		6
	4 lbs.	1,000	7.0		6
	6 lbs.	1,000	7.75		6
Dichondra	4 oz.	1,000	1.9		8
	8 oz.	1,000	2.1		8
	12 oz.	1,000	2.5		8
Pensacola Bahia	4 lbs.	1,000	4.5	3.75	7
	5 lbs.	1,000	4.75	4.0	7
	6 lbs.	1,000	5.0	4.25	7

TROUBLESHOOTING

Problem	Cause	Solution
Handle does not tighten completely or becomes loose quickly after assembly	Control handle bolt/nut not installed correctly	Ensure nut is installed on bolt inside control bracket (see illustration on page 7)
Deflector shut off is binding and will not open/close properly	Shut off plate is jammed with debris.	Thoroughly wash out hopper and shut off plates with water. Ensure debris is not stuck between shut off plate and rate gate plate.





1 YEAR LIMITED WARRANTY

This is warranted to the original purchaser only. Spyker will replace parts with defects in materials and workmanship, for a period of one year from the date of purchase.

For Spyker Spreaders—a Brinly-Hardy Company, products employing metal gear systems, pinion and bevel, these metal gears, only, not inclusive of any other parts or materials, are warranted for the life of the spreader, not to be used for replacement or repair past original purchase.

Spyker Spreaders will not be liable for any loss, damage or expense including, but not limited to, consequential or incidental damages, arising from the operation, condition or use of the item. The sole and exclusive remedy against Spyker Spreaders being the replacement of the defective parts. This warranty gives you specific legal rights, and you may also have other rights which vary from state to state.

This express warranty, which is applicable only to the original purchase, is in lieu of and excludes all other warranties, whether expressed or implied by operation of law or otherwise, including any warranty of merchantability or fitness for particular purpose.

SPYKER SPREADERS
Jeffersonville, IN 47130 USA
Phone: 800.972.6130