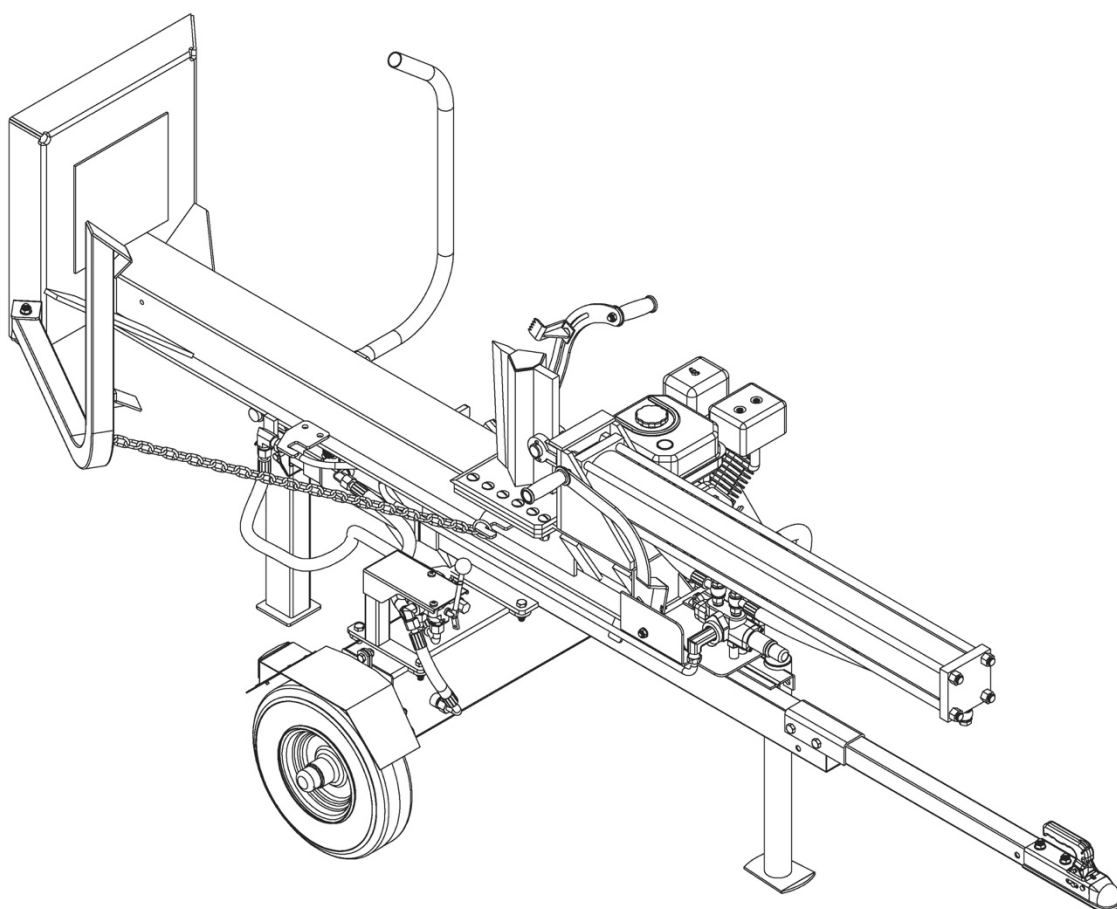


20TON LOG SPLITTER

Log Splitter: Outdoor product that splits wood logs for use as fuel in a fireplace or a woodstove.



WARNING

Read this manual.
Serious injury or death can result if safety instructions are not followed.



Engine is shipped without oil.

- Before starting engine, fill with SAE 10W-30 motor oil.
- See engine manual for engine oil capacity.

Hydraulic reservoir is shipped without oil.

- When add oil, Verify oil level at the middle of the Oil Cup With O-Ring

Closely inspect all log splitter components.

- If you have damaged components then: Contact the freight company that delivered the unit and file a claim.

Hazard Signal Word Definitions

	This is the safety alert symbol. It is used to alert you to potential personal injury hazards. Obey all safety messages that follow this symbol to avoid possible injury or death.
	DANGER (red) indicates an imminently hazardous situation which, if not avoided, will result in death or serious injury.
	WARNING (orange) indicates a potentially hazardous situation which, if not avoided, could result in death or serious injury.
	CAUTION (yellow) indicates a potentially hazardous situation which, if not avoided, may result in minor or moderate injury.
	CAUTION (yellow) used without the safety alert symbol indicates a potentially hazardous situation which, if not avoided, may result in property damage.

Table of Contents

▲ Important Safety Rules.....	80-81
Machine Component Definitions.....	82
▲ Operation Instructions.....	83-86
Proper Operation of the Log Splitter.....	83
How to split the log with slant surface.....	84
Horizontal and Vertical Operating Position.....	85
Driving Position.....	86
▲ Maintenance and Storage.....	87
Troubleshooting.....	88
Specifications.....	89
Assemble Procedure.....	90-94
Parts Explosion.....	95-99

▲ Important Safety Rules



WARNING



1.) Read this manual completely.

Serious injury or death can result if safety instructions are not followed.

Everyone who operates the log splitter must read and completely understand all safety rules, operating instructions, and maintenance instructions.

You must be 16 or older to operate this machine. Keep untrained people away.

-Shut engine off before leaving log splitter unattended.



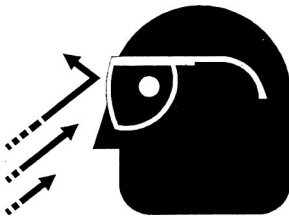
2.) Crush hazard.

Wedge can cut through skin and break bones. Keep both hands away from wedge and endplate.

-Serious accidents can happen when other people are allowed inside the work zone. Keep everyone else out of the work zone while operating control valve.

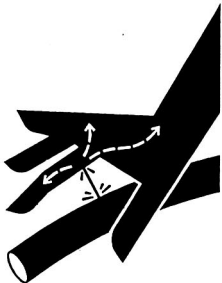
-Do not wear loose clothing. It can get tangled in moving parts of log splitter.

-Only use the log splitter in daylight so you can see what you are doing.



3.) Flying objects.

Pieces of log may fly out while splitting. Wear safety glasses. Serious eye injury can occur.



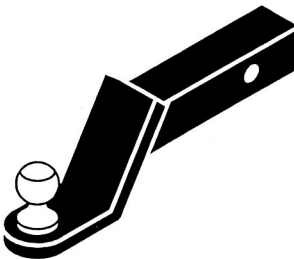
4.) Skin injection hazard.

High pressure fluid can inject under skin resulting in serious injury including amputation.

-Make sure all fittings are tight before applying pressure. Relieve system pressure before servicing.

-Do not check for leaks with hand. Instead, use a piece of cardboard to check for leaks.

-If skin injection happens, seek immediate "Surgical Treatment".



5.) Towing hazard.

Serious injury or death can occur if towing safety rules are not followed.

-Review towing safety warnings in your towing vehicle manual.

-Drive safely. Be aware of the added length of the log splitter.

-Never ride or transport cargo on the log splitter.

-Drive the vehicle with the log splitter securely attached.

-Turn off the vehicle before leaving the log splitter unattended.

-Choose a level surface to operate the log splitter.

-Block the log splitter wheels to prevent unintended movement.

-Never tow or operate this splitter while under the influence of alcohol, drugs, or medication.

Save These Instructions

▲ Important Safety Rules



WARNING



6.) Risk of fire and explosion.

Hot exhaust fumes from engine can cause fire. Gasoline is highly flammable and explosive. You can be burned or seriously injured when handling fuel.

- Position muffler at least 7 feet from combustible objects.
- Before adding fuel, stop the engine and keep heat, sparks, and flame away. Do not add fuel when engine is running or still hot. No smoking near engine.
- Do not pump fuel directly into engine at gas station. Static charge can build and ignite fuel. Use a UL approved fuel container to transfer gas to the engine. Wipe up fuel spills immediately.
- Only store and handle fuel outdoors. Gasoline vapors can ignite if they collect inside an enclosure. Explosion can result.
- Do not change or add to exhaust system. Fire can result.
- Do not change or add fuel tanks or fuel lines. Fire can result.
- Before each use, check fuel tank and fuel lines for leaks. Any fuel leak is a fire hazard. Fix any fuel leaks before starting engine.
- During transportation take precautions to make sure machine will not tip over and cause a fuel leak fire hazard.



7.) Breathing hazard.

Poisonous fumes from engine can kill you. Do not operate indoors even if Ventilated. For outdoor use only.



CAUTION

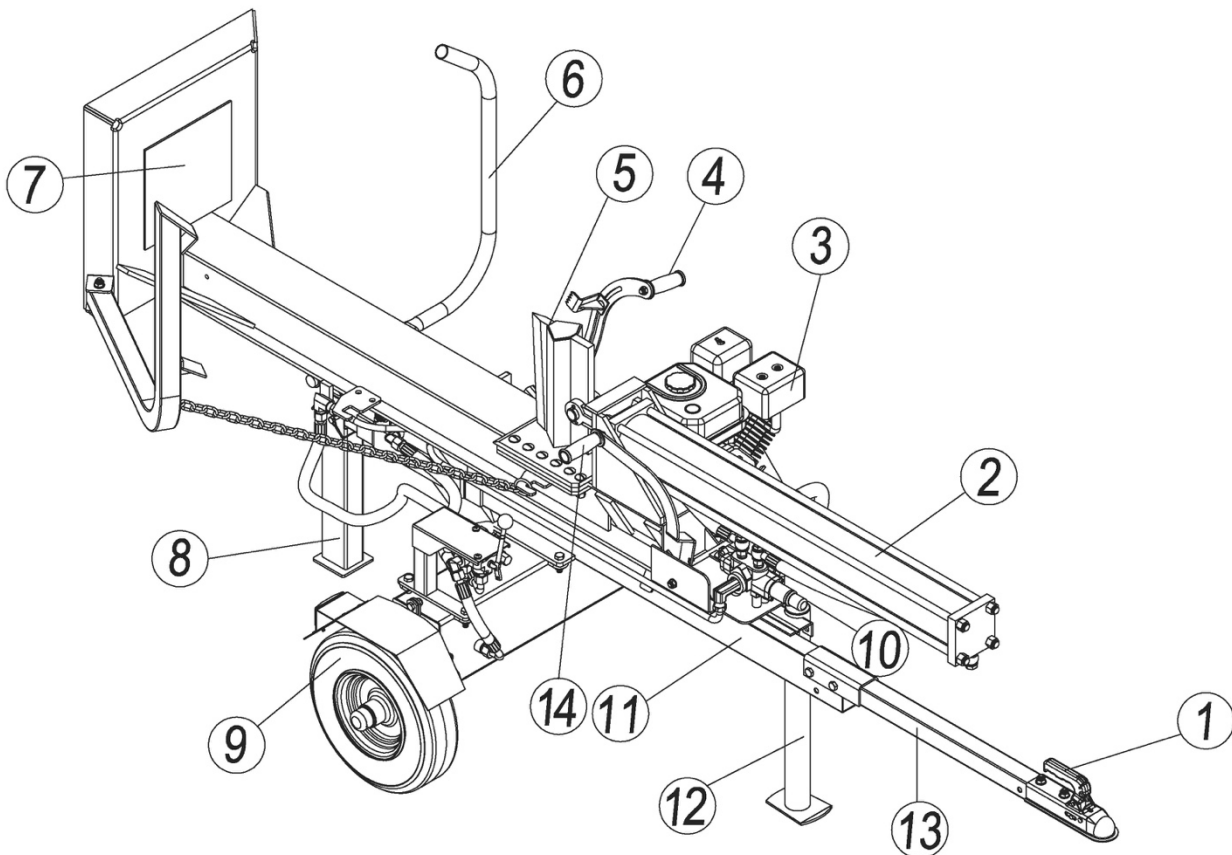


1.) Hot muffler.

You can be burned by muffler.
Do not touch.

Save These Instructions

Machine Component Definitions

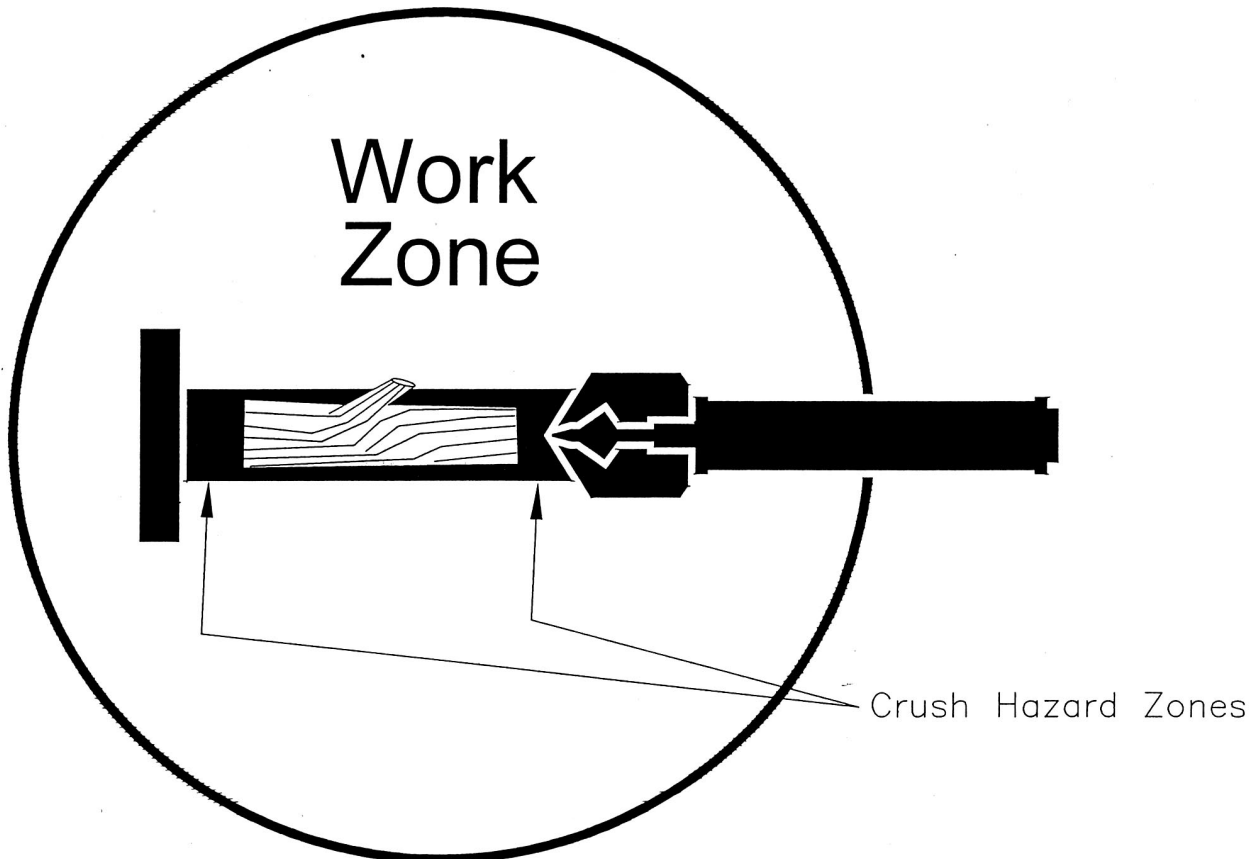


- 1.) **Coupler.** Attaches the log splitter to your vehicle. Fits only 50mm hitch balls.
- 2.) **Hydraulic Cylinder.** The hydraulic cylinder has a 4" bore and a 39.4" stroke.
- 3.) **Engine.** The air cooled engine powers the hydraulic pump.
- 4.) **Split Control Handle B.** Push down it together with No.14 Split Control Handle A can down the Wedge to split the log.
- 5.) **Wedge.** The wedge features wedge wings and a taper that makes splitting easier.
- 6.) **Log Cradle.** Keeps the log on the beam without operator assistance.
- 7.) **Beam.** The beam is made of 6" wide flange beam.
- 8.) **Rear Support.** The leg supports the log splitter while operating. The leg should be raised while towing (see Operation Instructions).
- 9.) **Tires.** Maximum rated speed is 45 MPH.
- 10.) **Small Control Valve.** Use it to control the Lift Ram to make the beam lift and down.
- 11.) **Tow Bar.**
- 12.) **Front Support.**
- 13.) **Split Control Handle A.**

▲ Operation Instructions

Proper Operation of the Log Splitter

- 1.) Load a log onto the beam and against the endplate.
- 2.) Serious accidents can happen when other people are allowed inside the work zone. Keep everyone else out of the work zone while operating control valve.
- 3.) Make sure hands are clear of crush hazard zones.
- 4.) Push the two-handle of control valve FORWARD to split log.
- 5.) Pull the two-handle of control valve BACKWARD to return wedge to its original position.
- 6.) Clear the split wood from the work zone.



▲ WARNING

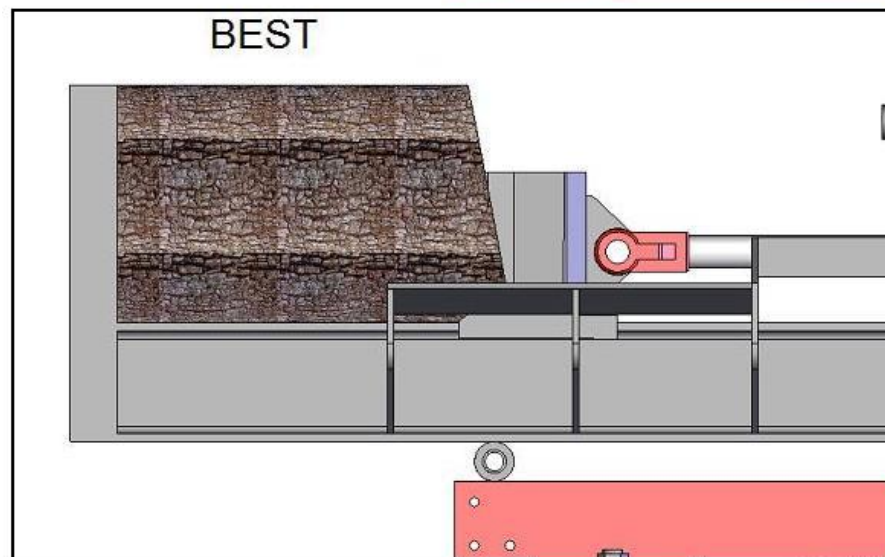
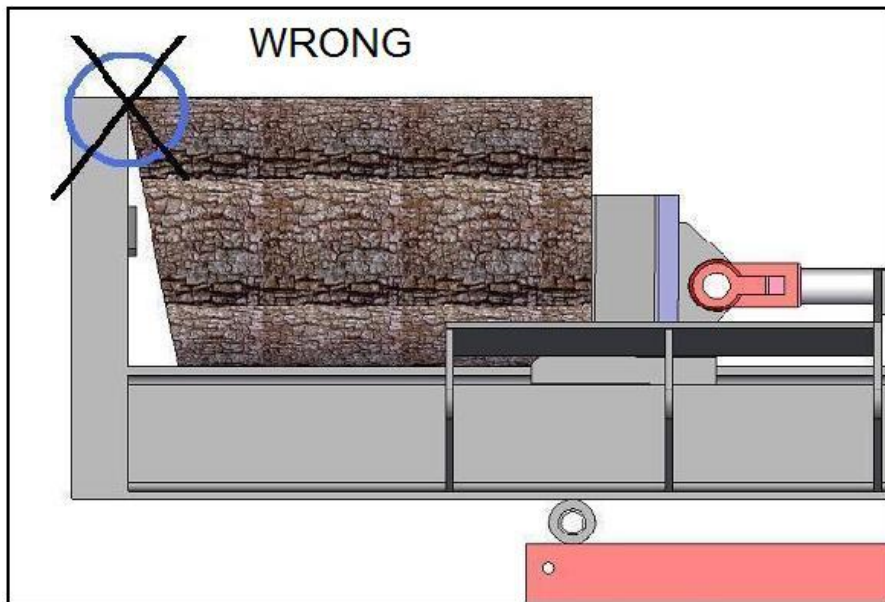
Crush hazard.

Wedge can cut through skin and break bones. Keep both hands away from wedge and beam slide.

- Serious accidents can happen when other people are allowed inside the work zone. Keep everyone else out of the work zone while operating control valve.
- Do not wear loose clothing. It can get tangled in moving parts of log splitter.
- Only use the log splitter in daylight so you can see what you are doing.

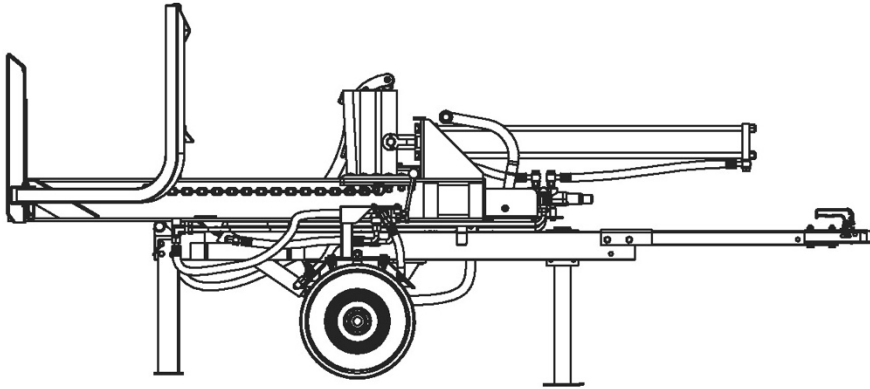
▲ Operation Instructions

HOW TO SPLIT THE LOG WITH SLANT SURFACE



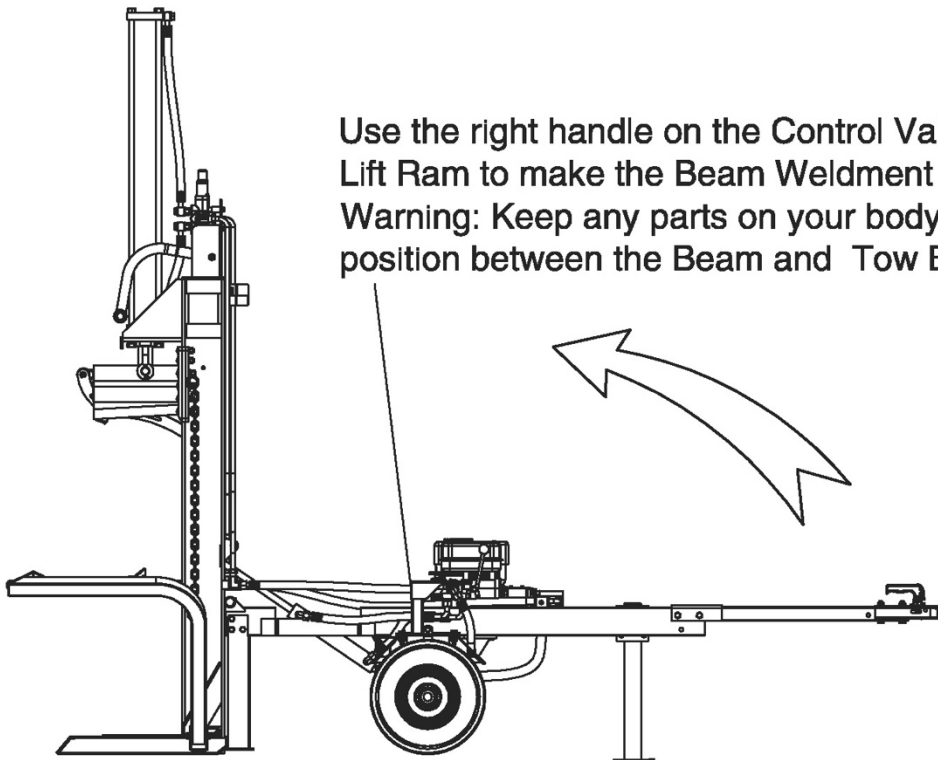
▲ Operation Instructions

NO HORIZONTAL USE



Note: Do not remove the Electric Breaking Switch without permission.

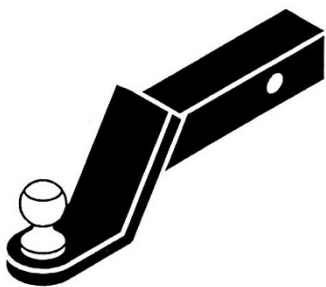
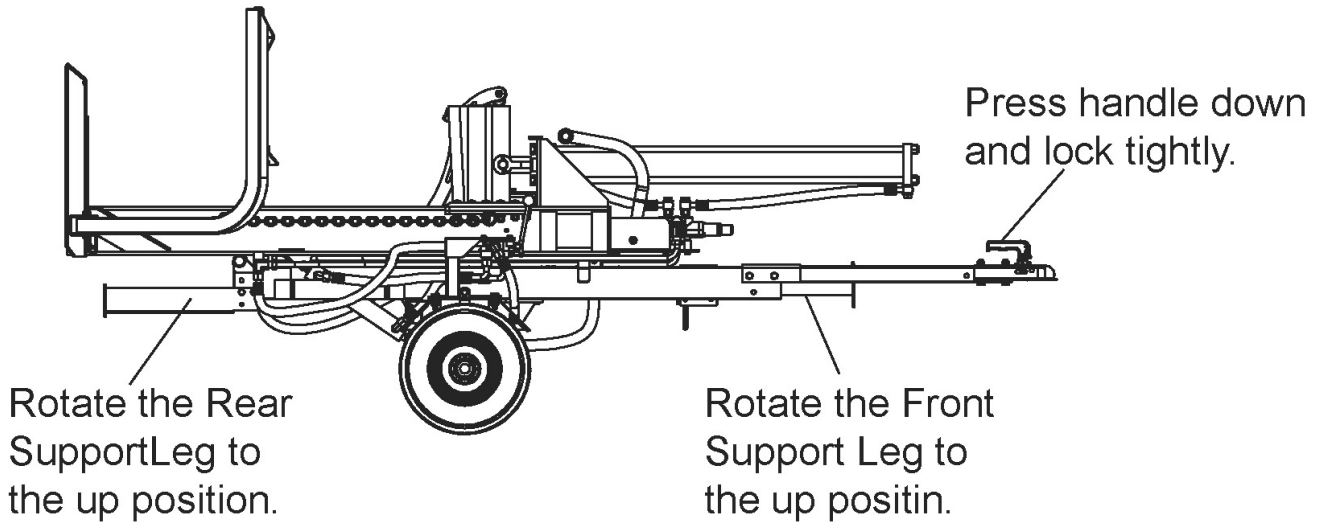
VERTICAL POSITION OPERATING ONLY



Use the right handle on the Control Valve to control the Lift Ram to make the Beam Weldment lift or down .
Warning: Keep any parts on your body away from the position between the Beam and Tow Bar while operating.

▲ Operation Instructions

FOR VEHICLE TOWING



▲ WARNING

Towing hazards.

Serious injury or death can occur if towing safety rules are not followed.

- Review towing safety warnings in your towing vehicle manual.
- Drive safely. Be aware of the added length of the log splitter.
- Never ride or transport cargo on the log splitter.
- Drive the vehicle with the log splitter securely attached.
- Turn off the vehicle before leaving the log splitter unattended.
- Choose a level surface to operate the log splitter.
- Block the log splitter wheels to prevent unintended movement.
- Never tow or operate this log splitter while under the influence of alcohol, drugs, or medication.

▲ Maintenance and Storage

- ▲ Before performing maintenance, the log splitter must be placed in maintenance mode.
- 1.) Turn off engine.
 - 2.) Disconnect spark plug wire.
 - 3.) Move the control valve handle forward and backward to relieve hydraulic pressure.

▲ After performing maintenance, make sure all guards, shields, and safety features are put back in place. Failure to follow this warning can result in serious injury.

Refer to the engine owner's manual for engine maintenance.

What	When	How
Hoses	Each Use	Inspect for exposed wire mesh and leaks. Replace all worn or damaged hoses before starting engine
Hydraulic Fittings	Each Use	Inspect for cracks and leaks. Replace all damaged fittings before starting engine
Nuts and Bolts	Each Use	Check for loose bolts
Beam	Each Use	Apply grease to beam surface
Moving Parts	Each Use	Clear debris

▲ WARNING



Skin injection hazard.

High pressure fluid can inject under skin resulting in serious injury including amputation.

-Make sure all fittings are tight before applying pressure. Relieve system pressure before servicing.

-Do not check for leaks with hand. Instead, use a piece of cardboard to check for leaks.

-If skin injection happens, seek immediate "Surgical Treatment".

Troubleshooting

Problem	
Cylinder rod will not move	SOLUTION: A,D,E,H,J
Slow cylinder shaft speed when extending or retracting	SOLUTION: A,B,C,H,I,K,L
Wood will not split or splits extremely slowly	SOLUTION: A,B,C,F,I,K
Engine bogs down during splitting	SOLUTION: G,L
Engine stalls under low load condition	SOLUTION: D,E,L,M
Cause	Solution
A -Insufficient oil to pump	Check oil level in reservoir
B -Air in oil	Check oil level in reservoir
C -Excessive pump inlet vacuum	Check pump inlet hose for blockage or kinks
D -Blocked hydraulic lines	Flush and clean the splitter hydraulic system
E -Blocked control valve	Flush and clean the splitter hydraulic system
F -Low control valve setting	Adjust control valve with a pressure gauge
G -High control valve setting	Adjust control valve with a pressure gauge
H -Damaged control valve	Return control valve for authorized repair
I -Internal control valve leak	Return control valve for authorized repair
J -Internal control valve leak	Return cylinder for authorized repair
K -Internally damaged cylinder	Return cylinder for authorized repair
L -Engine Control out of adjustment	Adjust idle control nuts
M -Engine is loaded during idle down mode	Use shorter log length (43.3" or less) to allow engine to speed up before contact.

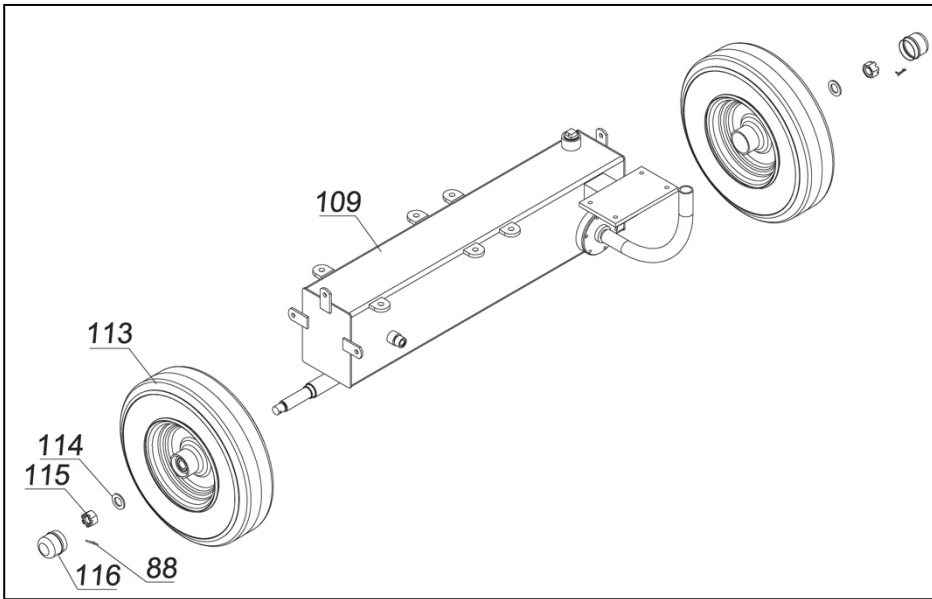
Specifications

Maximum Cylinder Force.....	20Ton
Maximum Pressure.....	3500 psi
Maximum Flow	35L/min
Hydraulic Fluid Capacity	23.5L
Hydraulic Fluid Type	10wt AW32, ASLE H-150, or ISO32
Coupler Size	50mm Ball
Maximum Towing Speed.....	45 MPH
Maximum Log Length	1100mm
Maximum log diameter.....	30CM
Pressure Relief Setting	725 psi
Hydraulic Cylinder Bore	100mm
Hydraulic Cylinder Stroke	1000mm
Overall Dimensions	3075X1180X1320mm

The manufacturer reserves the right to make improvements in design and/or changes in specifications at any time without incurring any obligation to install them on units previously sold.

ASSEMBLY PROCEDURE

A: ASSEMBLY THE WHEEL



WARNING: After the slotted nut is tightened, then turn back 1/4 circle to make sure the tire can rotate smoothly and well without any wobbling. Without turning back 1/4 circle of the slotted nut may cause tire can't work normally.

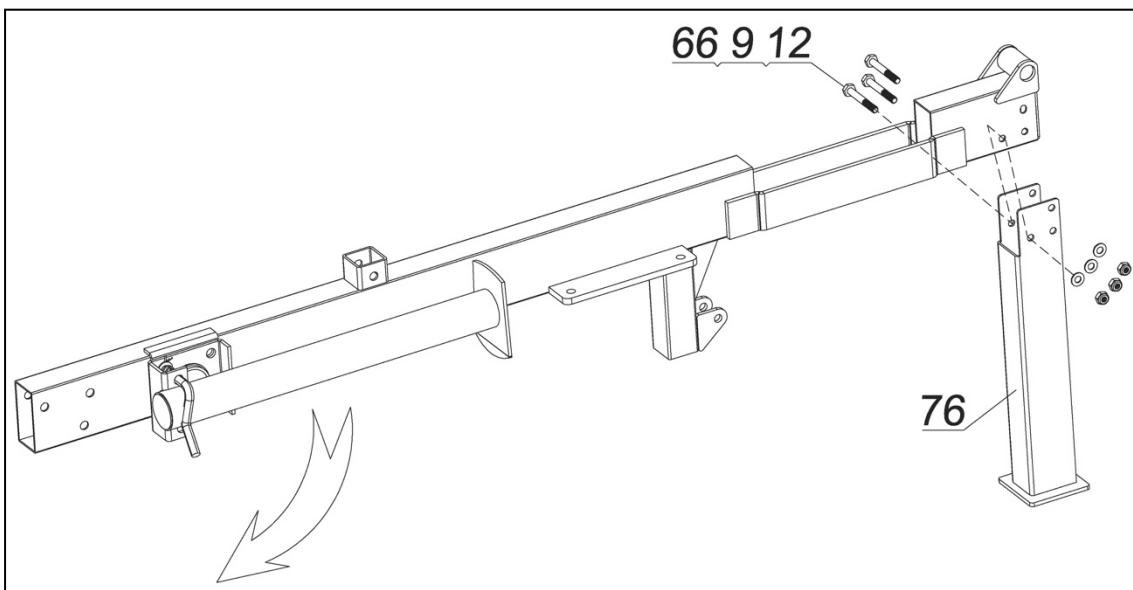
1: Assemble the wheel (113#) on the oil tank frame (109#), then fix the flat washer $\text{Ø}20$ (114#), hex thin nut M20x1.5 (115#), cotter pin 4x36 (88#). Install the axle cap (#116) on the end using rubber hammer.

2. The same way to assemble another wheel.



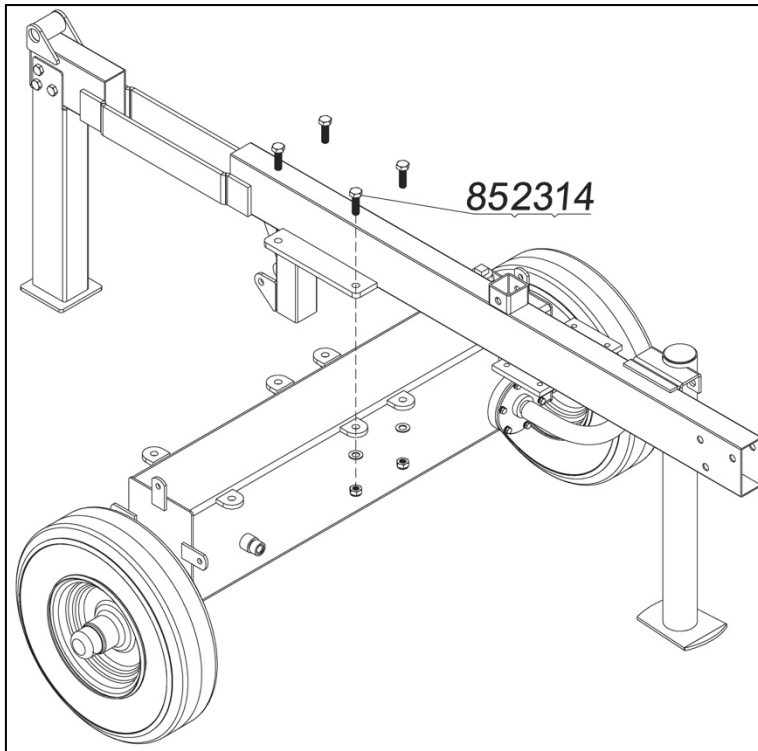
NOTE: Use a black plastic bushing to fix the axle cap (#116) like left picture. Please cover the black bushing onto the axle cap, and use rubber/wooden hammer knocking the end of the plastic bushing and make the axle cap fixed on wheel.

B: ASSEMBLY THE SUPPORT LEG



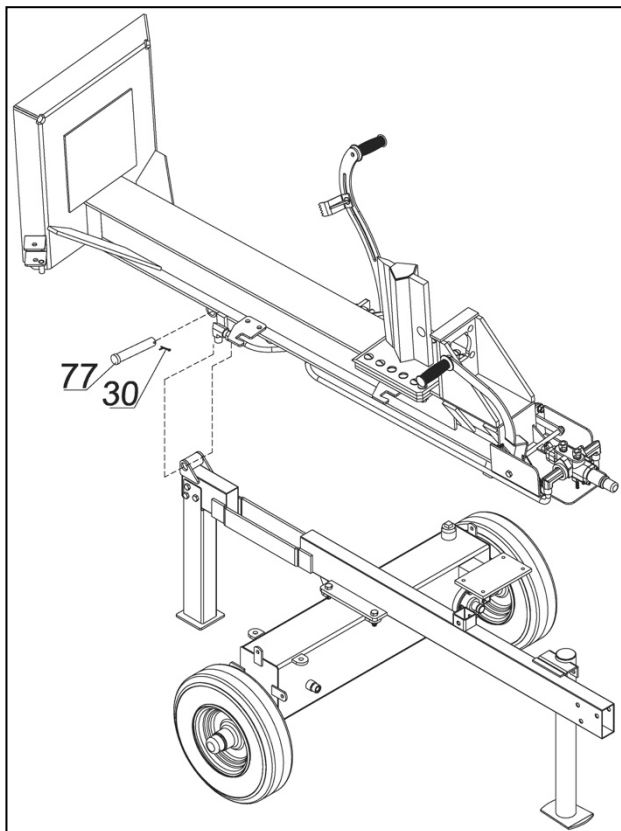
1. Rotate the front support leg, then attach the rear support leg (76#) under the tow bar weldment by using hex bolt M10x75 (66#), flat washer $\text{Ø}10$ (12#) and nylon lock nut M10 (9#).

C: ASSEMBLY THE TOW-BAR WELDMENT



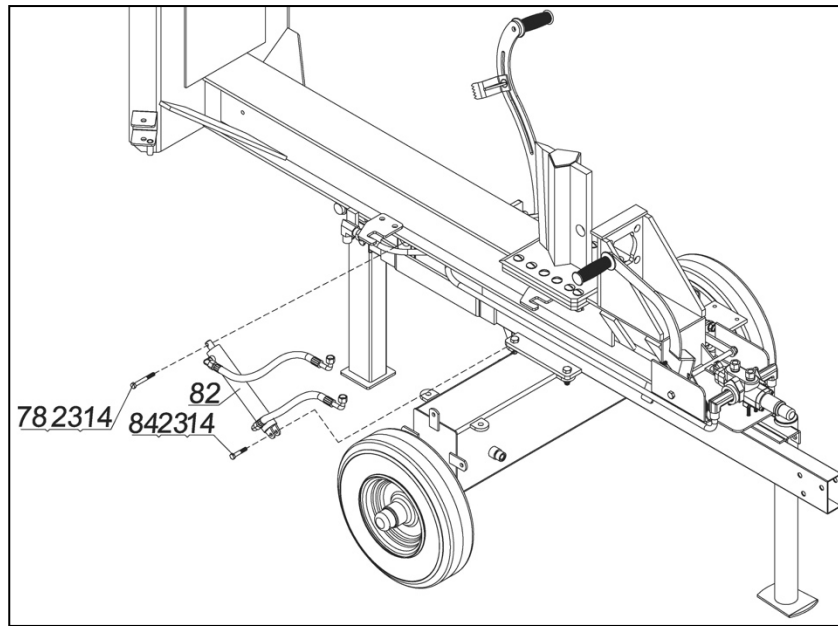
1. Assemble the tow-bar weldment on the oil tank frame using hex bolt M12X40 (85#), flat washer $\text{\O}12$ (23#) and nylon lock nut M12 (14#).

D: ASSEMBLY THE BEAM WELDMENT



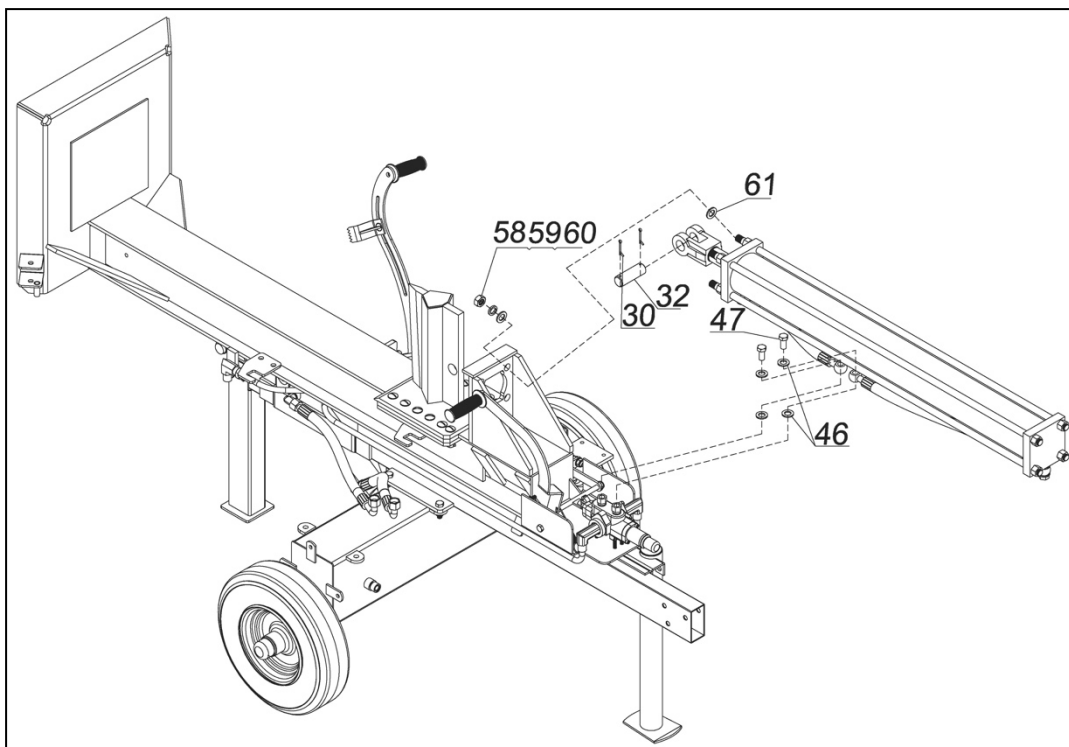
1. Assemble the beam weldment on the tow-bar weldment with the hinge pin (77#) and cotter pin 4X40 (30#).

E: ASSEMBLY THE LIFT RAM



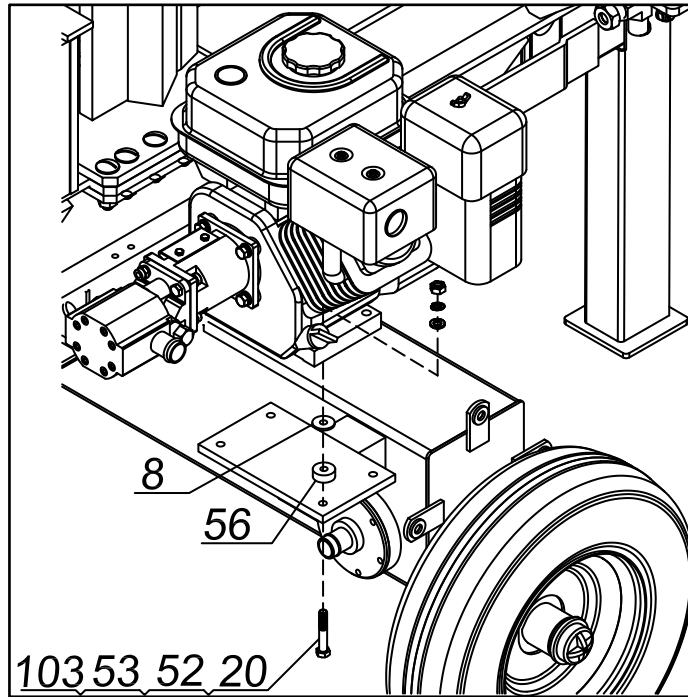
1. Insert the head of Lift Ram (82#) through the space in middle of tow bar to assemble on the beam weldment with hex bolt M12X100 (78#), flat washer Ø12 (23#) and nylon lock nut M12 (14#).
2. Assemble the end of lift ram (82#) on the oil tank with hex bolt M12X65 (84#), flat washer Ø12 (23#) and nylon lock nut M12 (14#).

F: ASSEMBLY THE CYLINDER AND WEDGE SLIP



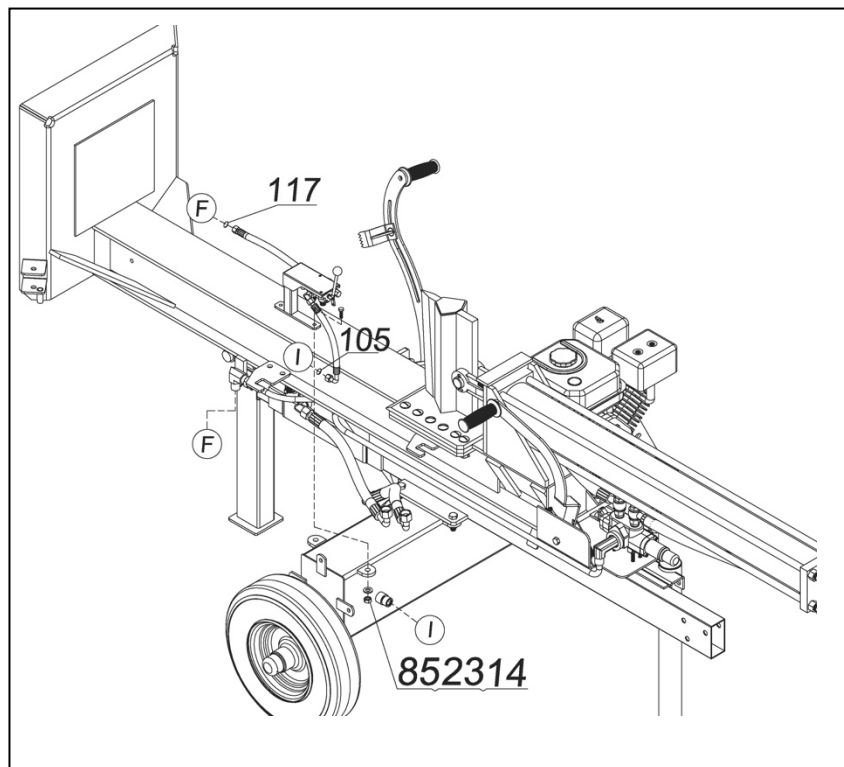
1. Put the cylinder to the beam using flat washer Ø18 (58#), lock washer Ø18 (59#) and hex nut M18 (60#). Add adjustable washer (61#) between the cylinder and cylinder mounting plate for adjusting.
2. Push the wedge making the hole on wedge and piston-rod connector alignment, then insert wedge pin (32#) and cotter pin 4x40 (30#).
3. Attach hydraulic hoses to the control valve using combined sealing washer (46#) and bolt joint (47#).

G: ASSEMBLY THE ENGINE



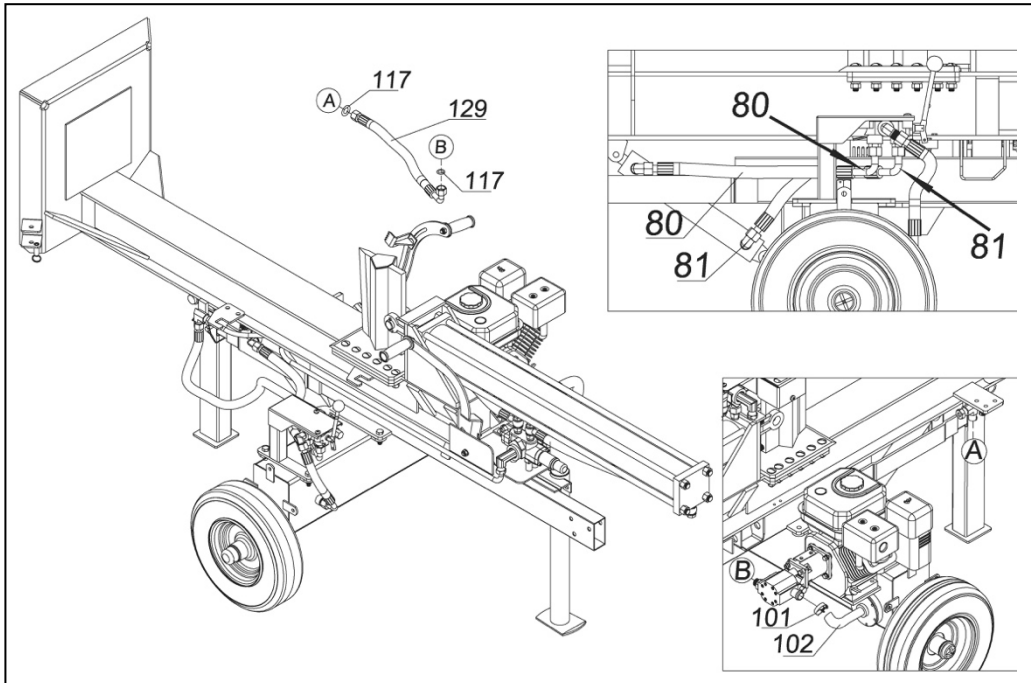
1. Place the polyurethane block (#56) and large flat washer Ø10 (#8) between the mounting plate and engine.
2. Position the engine over the blocks and secure it to the mounting plate, put the hex bolt M8X65 (103#) through the bottom of the plate (bolt should go through blocks, flat washer and engine base). Place a flat washer Ø8 (53#), lock washer Ø8 (52#), nylon lock nut M8 (20#).

H: ASSEMBLY THE CONTROL VALVE.



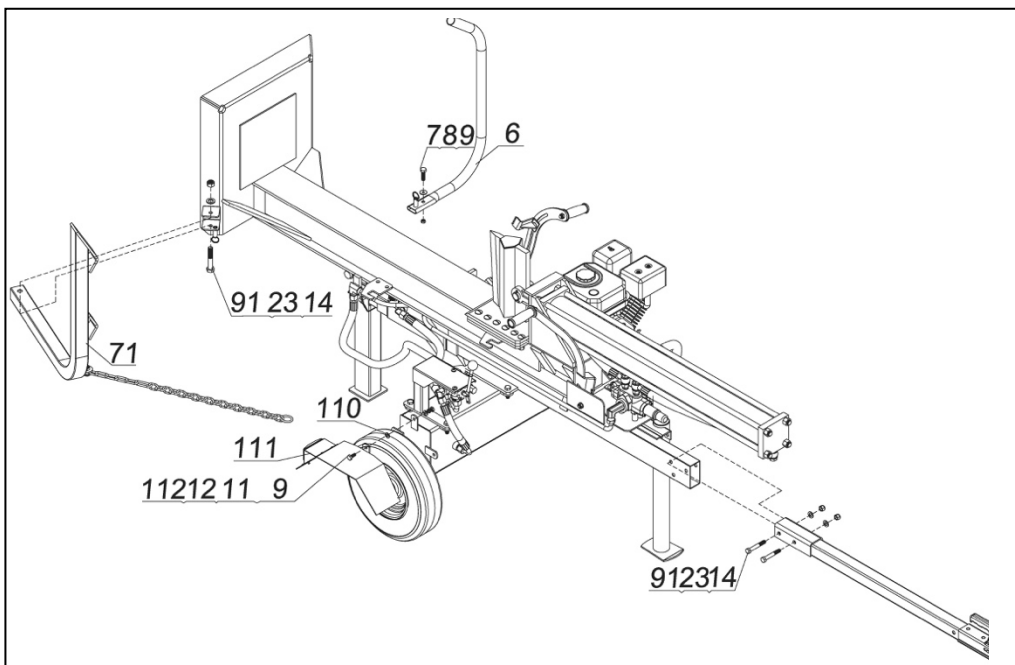
1. Assemble the small control valve on the oil tank by using hex bolt M12x40 (85#), flat washer Ø12 (23#) and nylon lock nut M12 (14#).
2. Then insert oil return pipe to the oil tank connector put a O Ring Ø14x2.5 (105#). Connect the oil tube to the another cutting sleeve joint of the beam, then put a O-ring 11x2.5 (117#).

I: ASSEMBLY THE HYDRAULIC HOSE



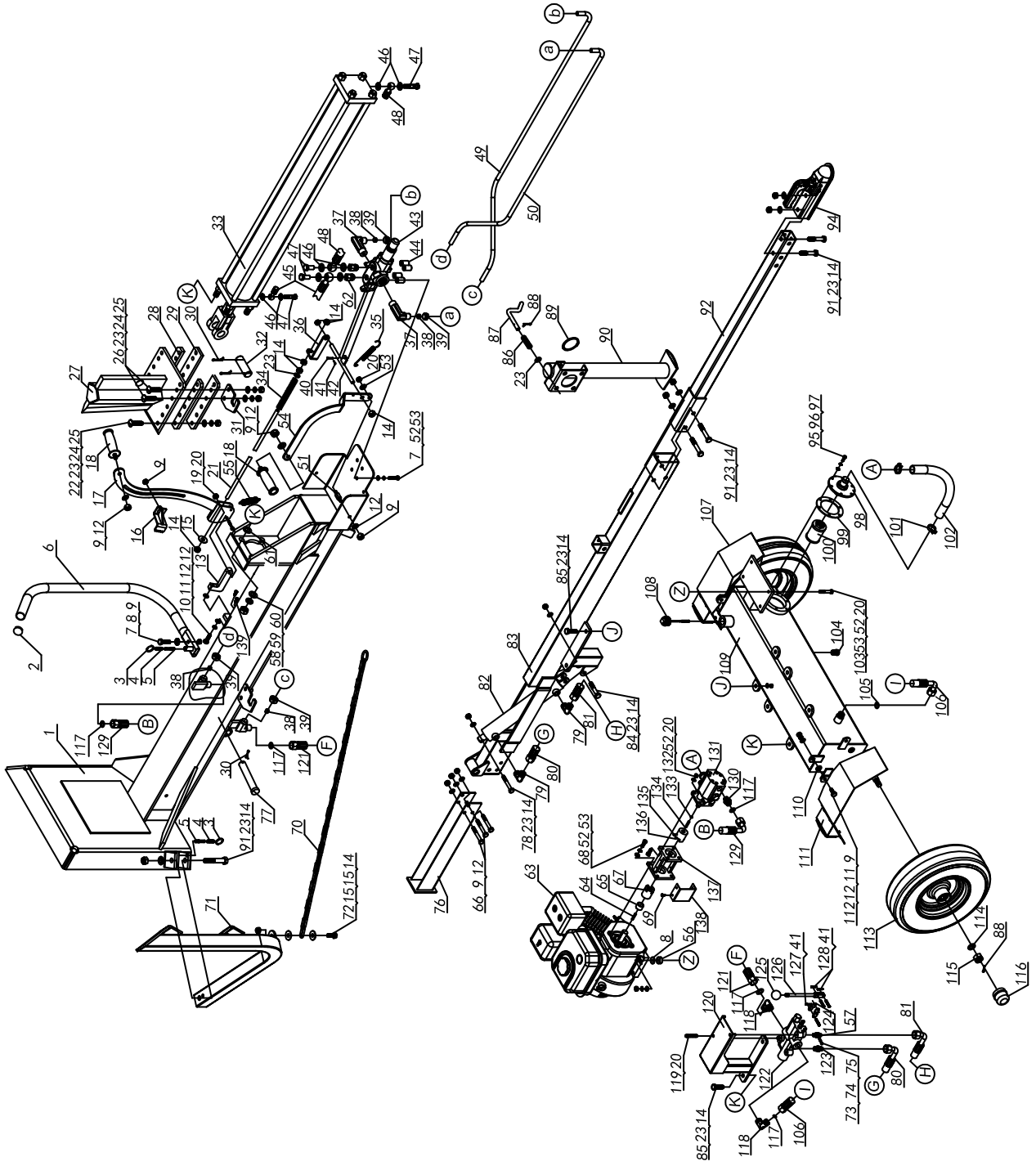
1. Attach hydraulic hose (129#) endpoint B to the gear pump connector, add O ring $\text{\O}11 \times 2.5$ (117#).
2. Attach hydraulic hose (129#) endpoint A to the connector of beam, add O ring $\text{\O}11 \times 2.5$ (117#).
3. Attach the clean oil pipe (102#) to the gear pump and secure with clamp (101#).
4. Attach lift cylinder hydraulic hose B (80#) and lift cylinder hydraulic hose A (81#) to the small control level as picture.

J: ASSEMBLY THE PROTECTION TUBE



1. Attach the log cradle (6#) to the beam using hex bolt M10x45 (7#), large flat washer $\text{\O}10$ (8#) and nylon lock nut M10 (9#).
2. Attach the lifting bracket (71#) to the beam using hex bolt M12x80 (91#), flat washer $\text{\O}12$ (23#), nylon lock nut M12 (14#).
3. Attach fenders (111# & 107#) to the oil tank using hex bolt M10x30 (112#), flat washer $\text{\O}10$ (12#), lock washer $\text{\O}10$ (11#) and nylon lock nut M10 (9#).
4. Attach the lengthening tow bar assembly (91#) to the tow bar using hex bolt M12x80 (91#), flat washer $\text{\O}12$ (23#) and nylon lock nut M12 (14#).

LOG SPLITTER PARTS DRAWING



Ref.No.	Drawing No.	Description	Qty
1	LSL2001-01000	Beam	1
2	LSE22-00011	Plastic Plug	1
3	Z330-00017-DX	Key Ring	2
4	Z330-00003-FH	Spring B	2
5	Z330-00008-DX	Pawl B	2
6	LS22J-02100	Log Cradle	1
7	9101-10045-DX8.8	Hex Bolt M10x45	1
8	9302-10000-DX	Large Flat Washer ϕ 10	5
9	9206-10000-DX	Nylon Lock Nut M10	14
10	9101-10035-DX8.8	Hex Bolt M10x35	1
11	9306-10000-DX	Lock Washer ϕ 10	7
12	9301-10000-DX	Flat Washer ϕ 10	14
13	LSL2001-00002	Rotary Mounting	1
14	9206-12000-DX	Nylon Lock Nut M12	20
15	9302-12000-DX	Large Flat Washer ϕ 12	3
16	LSE2203-06000	Presser Foot	1
17	LSE2203-07000	Split Control Handle B	1
18	N600-00003	Handle	2
19	9101-08035-DX8.8	Hex Bolt M8x35	1
20	9206-08000-DX	Nylon Lock Nut M8	12
21	LSL2001-00001	Screw	1
22	9117-12055-DX10.9	Half-round Head Slotted Screw M12x55	10
23	9301-12000-DX	Flat Washer ϕ 12	27
24	9306-12000-DX	Lock Washer ϕ 12	12
25	9210-12000-DX	Hex Think Nut M12	12
26	9117-12060-DX10.9	Half-round Head Slotted Screw M12x60	2
27	LSL2001-03000	Wedge	1
28	LSH22-00002	Wedge Slide	2
29	LSH22-00001	Wedge Pressing Plate	2
30	9404-04040-DX	Cotter Pin 4*40	3
31	LSL2001-01009	Chain Lift Plate	1
32	LSH22-00003-DX	Wedge Pin	1
33	LSL2001-07000	Cylinder	1
34	T390-20002-DX	Pressure Spring	1
35	LSE14-00012-FH	Tension Spring A	1
36	LSL2001-00003	Valve Connection Plate	1
37	LSL20E-00011	Bayonet Joint Assembly	2
38	9703-14000-DX	Cutting Sleeve	4
39	9215-20000-DX	Cutting Sleeve Nut	4
40	9403-05026-DX	Hinge Pin	1

Ref.No.	Drawing No.	Description	Qty
41	9404-02010-DX	Cotter Pin 2*10	4
42	LSL2001-06000	Joint Pipe	1
43	LSCA22-07001	Control Valve	1
44	LSL2001-00004-DX	Bushing	4
45	LSL2001-00005	Short Tube (Valve-Cylinder)	1
46	9905-00014	Combined Sealing Washer	8
47	LSH22-00005-DX	Bolt Connection	4
48	LSL2001-00006	Long Tube (Valve-Cylinder)	1
49	LSL2001-00007-DX	Metal Hose A	1
50	LSL2001-00008-DX	Metal Hose B	1
51	LSL2001-00010-DX	Handle Positioning Shaft	1
52	9306-08000-DX	Lock Washer φ8	16
53	9301-08000-DX	Flat Washer φ8	13
54	LSL2001-00009	Revering Handle	1
55	LSF3000-00013	Safety Handle Tension Spring	1
56	LSP25-00025	Polyurethane Block	4
57	LSL2001-08001-DX	Throttle Joint	1
58	9301-18000-DX	Flat Washer φ18	4
59	9306-18000-DX	Lock Washer φ18	4
60	9201-18000-DX	Hex Nut M18	4
61	N280-00043	Adjusting Bolt	/
62	LSH22-00004-DX	Valve Joint A	2
63	LSP25-10001	6.5HP Engine	1
64	/	Engine Flat Key	1
65	LSP25-10004	Engine Sleeve	1
66	9101-10075-DX8.8	Hex Bolt M10x75	3
67	LSP25-10002	Engine Coupling	1
68	9101-08025-DX8.8	Hex Bolt M8x25	4
69	9101-05010-DX8.8	Hex Bolt M5x10	4
70	LSL2001-00011-DX	Chain	1
71	LSL2001-02000	Hoist Frame	1
72	9101-12030-DX8.8	Hex Bolt M12x30	1
73	LST37F-04702	Adjusting Screw	1
74	9901-5.3*1.8	O Ring 5.3*1.8	1
75	LST37F-04703	Adjusting Screw Retaining Ring	1
76	LSA22-15000	Rear Support Leg	1
77	LSA22-00015-DX	Hinge Pin	1
78	9101-12100-DX12.9	Hex Bolt M12x100	1
79	N900-00014	Angle Connector	2
80	LSL20E-00006	Hydraulic Hose (Lift Cylinder Hose B)	1

Ref.No.	Drawing No.	Description	Qty
81	LSL20E-00005	Hydraulic Hose (Lift Cylinder Hose A)	1
82	LSL20E-08000	Lift Cylinder	1
83	LSL2001-04000	Tow Bar	1
84	9101-12065-DX12.9	Hex Bolt M12x65	1
85	9101-12040-DX8.8	Hex Bolt M12x40	6
86	LSP25-00003-DX	Spring	1
87	LSP25-00008-DX	Safety Pin	1
88	9404-04036-DX	Cotter Pin 4*36	3
89	9304-60000-FH	Circle for Shaft B Style	1
90	LSM30-07000	Front Support Leg	1
91	9101-12080-DX8.8	Hex Bolt M12x80	3
92	LSL2001-05000	Lengthening Tow Bar	1
93	9101-12070-DX8.8	Hex Bolt M12x70	2
94	Z104	50mm Coupler	1
95	9101-06020-DX8.8	Hex Bolt M6x20	6
96	9306-06000-DX	Lock Washer φ6	6
97	9301-06000-DX	Flat Washer φ6	6
98	LSP25-15000-DX	Oil Filter Mounting Plate	1
99	LSP25-00021	Rubber Washer	1
100	LSP25-00022	Oil Filter	1
101	LSP25-00011-BXG	Clamp	2
102	LSA22-00007	Clear Oil Pipe	1
103	9101-08065-DX8.8	Hex Bolt M8x65	4
104	LSP25-00010-DX	Oil Plug	1
105	9901-14*2.5	O Ring	1
106	LSL20E-00007	Hydraulic Hose	1
107	LSA22-18000	Right Fender	1
108	LSP25-13000	Fill Plug	1
109	LSL20E-03100	Oil Tank	1
110	LSA22-00021	Rubber Wasehr 2	6
111	LSA22-17000	Left Fender	1
112	9101-10030-DX8.8	Hex Bolt M10x30	6
113	LSP25-14000	Wheel	2
114	9301-20000-DX	Flat Washer φ20	2
115	LSP25-00020-FH	Thin Hex Slotted Nut M20x1.5	2
116	LSP25-00009	Axle Cap	2
117	9901-11*2.5	O Ring 11*2.5	5
118	LSL20E-00008-DX	Angle Connector	2
119	9110-08045-DX	Cross Recess Pan Head Screw M8x45	2
120	LSL20E-05000	Valve Mounting Weldment	1

Ref.No.	Drawing No.	Description	Qty
121	LSL20E-00004	Hydraulic Hose (Adapter B-Valve B)	1
122	LSL20E-10001	Small Control Valve	1
123	LSL20E-09003	Throttle Joint	1
124	LSL20E-10002-DX	Junction Plate	2
125	E200-00001	Bakelite Nut M10	1
126	LSL20E-10100	Operating Handle	1
127	9403-05022-DX	Hinge Pin	1
128	9403-05018-DX	Hinge Pin	2
129	LSL20E-00003	Hydraulic Hose (Gear Pump- Adapter A)	1
130	LSH22-08001	Angle Connector	1
131	LSP25-10007	Gear Pump	1
132	9101-08030-DX8.8	Hex Bolt M8x30	4
133	LSP25-10008	Steel Wire Snap Ring for Shaft	1
134	/	Gear Pump Flat Key	1
135	9121-06010-FH	Inner Hex End Set Screw M6x10	1
136	LSP25-10003	Gear Pump Coupling	1
137	LSP25-10005	Gear Pump Stand	1
138	LSP25-10006	Coupling Cover	1
139	9109-06012-DX	Hex Socket Head Cap Screw M6x12	2

Certificate of Compliance



No. OB180823.JSTTU61

Test Reports no. SCC(18)-50008A-24-10-MD

Certificate's
Holder:

Jiashan Superpower Tools Co., Ltd.
No.391, Huimin Road, Huimin Town, Jiashan County,
Zhejiang, P. R. China

Certification ECM
Mark:



Product:
Model(s):

Vertical Log Splitter
LSE2203, LSL2001

Verification to:

Standard:
EN ISO 12100:2010, EN 609-1:2017,
EN 349:1993+A1:2008, EN ISO 14120:2015,
EN ISO 13857:2008

related to CE Directive(s):
2006/42/EC (Machinery)

Remark: The product(s) has been verified on a voluntary basis. The product(s) satisfies the requirements of the Certification Mark of ECM, in reference to the above listed Standard(s). The above Compliance Mark can be affixed on the product(s) accordingly to the ECM regulation about its release and its use. The regulation can be found at www.entecerma.it. This Certificate of Compliance can be checked for validity at www.entecerma.it

This verification doesn't imply assessment of the production of the product(s).

Additional information, clarification about the **CE** Marking:



We attest that a TCF for the **CE** Marking process is in place. Whereas the Manufacturer is Responsible to start the **CE Marking Certification Procedure** and to perform all the necessary activities, as required by the Directive before placing the **CE** Mark on the product(s).

Date of issue 23 August 2018

Expiry date 22 August 2023

Chief Manager
Marco Morino

Deputy Manager
Amanda Payne



Conformiteitsverklaring
Certificat de conformité
Konformitätsbescheinigung
Certificate of Compliance

Fabrikant / Fabricant / Hersteller / Manufacturer:

Jiashan Superpower Tools Co., Ltd.
No.391, Huimin Road, Huimin Town,
Jiashan County, Zhejiang, P. R. China
Tel: 86-573-84647361 - Fax: 86-573-84647361
Product: Verticale houtklover
Model: LSE2203, LSL2001

Importeur / Importateur / Importeur / Importer:

EuroGarden nv/sa
Sint-Truidensesteenweg 252 - 3300 Tienen – België
info@eurogarden.be – www.eurogarden.be
Art.nr: XLZLSE20V, XGSLSE20V

2006/42/EG (Machinery)

EN ISO 12100:2010, EN 609-1:2017, EN 349:1993+A1:2008,
EN ISO 14120:2015, EN ISO 13857:2008



IMPORTED BY:
EUROGARDEN NV/SA
SINT-TRUIDENSESTEENWEG 252
3300 TIENEN – BELGIUM
info@eurogaren.be
www.eurogarden.be