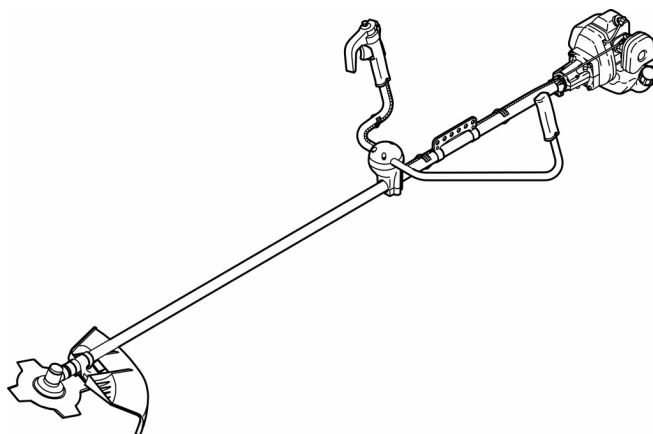




**BRUSH CUTTER
DESBROZADORA
DEBROUSSAILLEUSE
ROÇADORAS
DECESPUGLIATORI
DRAAGBARE BOSMAAIER
TRAGBARE MOTORSENSE**

Model **V241LPS**
Modelo **V241W**
Modèle **V26LPS**
Modelo **V26W**
Modello **V28LS**
Model **V28W**
Model **V28FW**
V28FHW
VG404DXLPS
VG504DXLP



(ENGLISH) OPERATING MANUAL
(ESPAÑOL) MANUAL DE INSTRUCCIONES
(FRANÇAIS) MANUAL DE FONCTIONNEMENT
(PORTUGUÊS) MANUAL DE INSTRUÇÕES
(ITALIANO) MANUAL DI USO E MANUTENZIONE
(NEDERLANDS) HANDLEIDING
(DEUTSCH) BEDIENUNGSANLEITUNG



MARUNAKA CO., LTD.

11MUKAIDANISHI-MACHI.KISSHOIN.MINAMI-KU.KYOTO,JAPAN.601-8307

info-e@marunaka-japan.co.jp

<http://www.marunaka-japan.co.jp>

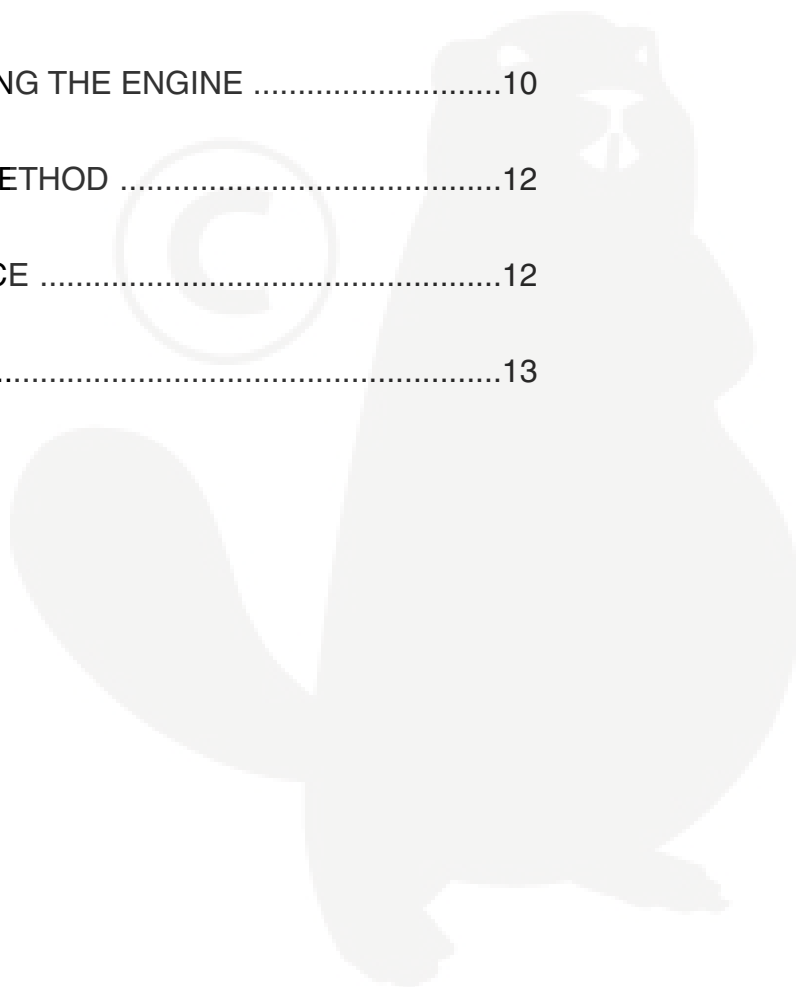
CODE: 800202597

0610

Contents

ENGLISH

TECHNICAL DATE	
DECLARATION OF CONFORMITY	
SYMBOL MEANING	
[1] GENERAL DESCRIPTION.....	1
[2] SAFETY RULES	2
[3] SAFETY USAGE	4
[4] FUEL MIX	6
[5] SAFETY GUARD ASSEMBLY	7
[6] BLADE AND NYLON STRING HEAD ASSEMBLY	8
[7] ENGINE/SHAFT HOUSING ASSEMBLY	9
[8] HANDLE GRIP/HANDLE/THROTTLE WIRE ASSEMBLY	9
[9] STARTING AND STOPPING THE ENGINE	10
[10] HARNESS HANDLING METHOD	12
[11] REGULAR MAINTENANCE	12
[12] FAULT FINDING TABLE	13




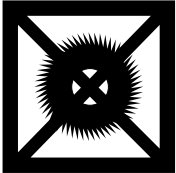
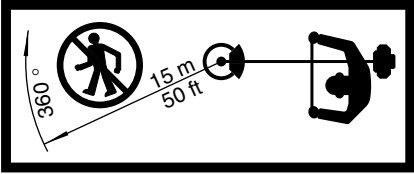
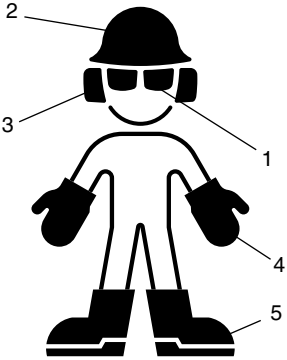

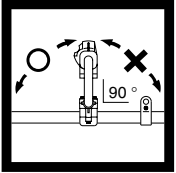

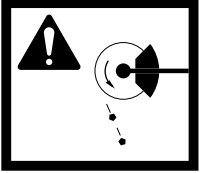
TECHNICAL DATA

Model	V241LPS			V241W			V26LPS			V26W			V28LS									
	TU26PFD	TJ27DX	GX25	TU26PFD	TJ27DX	GX25	TL33PFD	TL43PFD	TH34DX	TH43DX	GX35	TL33PFD	TL43PFD	TH34DX	TH43DX	GX35	TL43PFD	TL50PFD	TH43DX	TH48DX		
Engine	5.50	5.40	5.90	5.85	5.75	6.25	6.90	7.60	6.60	7.35	7.10	7.65	8.35	7.35	8.10	7.85	7.85	7.90	7.65	7.65		
Unit without cutting attachment, empty tank	kg																					
Unit with specified cutting attachment, empty tank	kg	5.90	6.30	6.25	6.15	6.65	7.40	8.10	7.10	7.80	7.50	8.15	8.85	7.85	8.60	8.35	8.35	8.40	8.15	8.15		
Unit with specified cutting attachment, full tank	kg	6.40	6.30	6.80	6.75	7.15	8.15	8.85	7.76	8.63	8.05	8.90	9.60	8.51	9.43	8.90	9.10	9.15	8.98	8.98		
Volume	l	0.6	0.6	0.6	0.6	0.55	0.9	0.9	0.8	1.0	0.65	0.9	0.9	0.8	1.0	0.65	0.9	0.9	1.0	1.0		
Usable cutting depth of specified cutting attachment	mm	35			35			35			35			35			35			35		
Specified blade diameter	mm	230			255			255			255			255			255			255		
Specified blade thickness	mm	1.4			1.4			1.4			1.4			1.4			1.4			1.4		
Number of cutting teeth		3 or 4 or 8			3 or 4 or 8			3 or 4 or 8			3 or 4 or 8			3 or 4 or 8			3 or 4 or 8			3 or 4 or 8		
Blade center hole diameter	mm	25.4			25.4			25.4			25.4			25.4			25.4			25.4		
Blade rotational speed at maximum allowed engine speed	rpm	8000			8000			8000			8000			8000			8000			8000		
Gear ratio		1.36			1.36			1.36			1.36			1.36			1.36			1.36		
Rotational direction of output shaft																						
Seen from above anticlockwis																						
External dimensions	Length	1804	1820	1853	1804	1820	1844	1864	1838	1870	1892	1844	1864	1838	1870	1892	1864	1864	1870	1870		
	Width	400	400	400	690	690	400	400	400	400	400	690	690	690	690	690	690	400	400	400	400	
	Height	253	253	253	500	500	253	253	253	253	253	253	500	500	500	500	500	253	253	253	253	
Engine displacement	cm ³	25.6	26.3	25	25.6	26.3	32.6	42.7	33.3	43.2	35.8	32.6	42.7	33.3	43.2	35.8	42.7	49.4	43.2	48.6		
Maximum shaft brake power, measured in accordance with ISO 8693	kW	1.04	1.20	0.81	1.04	1.20	1.25	1.55	1.4	1.32	1.2	1.25	1.55	1.4	1.32	1.2	1.55	1.75	1.32	1.40		
Rotational speeds	Engine speed at maximum power	7500	7500	7000	7500	7500	6800	6600	7000	7000	7000	6800	6600	7000	7000	7000	6600	6600	7000	6200		
	Recommended maximum engine speed	8000	8000	7000	8000	8000	8000	8000	8000	8000	7000	8000	8000	8000	8000	7000	8000	7600	7800	7500		
	Output shaft speed	7000	7000	6500	7000	7000	7400	7600	7200	7200	6500	7400	7600	7200	7200	6500	7600	7000	7200	6800		
	Recommended engine idling speed	2700	3000	3100	2700	3000	2800	2800	2800	2800	3100	2800	2800	2800	2800	3100	2800	2800	2800	2800	2800	
	Engine speed at beginning of clutch engagement	4000	4000	4100	3600	4000	4100	3800	3800	3600	3800	4100	3800	3800	3600	3800	4100	3800	3800	3800	3800	
Fuel consumption at maximum engine power	l/h	0.70	0.75	0.4	0.70	0.75	0.72	1.55	0.88	0.90	0.42	0.72	1.55	0.88	0.90	0.42	1.55	1.74	0.90	0.87		
consumption	g/(kW·h)	590	598	340	590	598	504	875	623	598	360	504	875	623	598	360	875	870	598	544		
Sound pressure levels	Idling (Lp1)	76	76	77	76	76	77	77	76	76	77	77	77	76	76	77	77	78	78	78		
	Racing (LpR)	89	88	90	89	88	90	91	89	92	91	90	91	89	92	91	91	92	92	92		
	Idling (Lwr1)	86	85	84	86	85	84	86	87	86	85	86	87	86	88	85	87	88	88	88		
	Racing (LwrR)	103	101	100	103	101	100	103	103	102	103	101	103	103	102	103	101	103	104	104		
	(Lwcc)	99	98	97	99	98	97	100	101	99	100	98	100	101	99	100	98	101	101	101		
Guaranteed sound power level (LwA)	dB	103	103	103	103	103	105	105	105	105	105	105	105	105	105	105	106	106	106	106		
Vibration levels	Idling	m/s ²	3.2	3.5	3.3	3.1	3.4	3.4	3.3	3.4	3.5	3.4	3.5	3.3	3.3	3.3	3.7	4.1	3.7	4.0		
	Full load	m/s ²	5.0	4.9	4.8	3.9	3.5	4.6	4.7	4.2	4.2	4.6	4.7	4.2	4.4	4.0	5.2	5.3	4.8	5.1		
	Racing	m/s ²	9.2	11.0	6.5	4.9	4.3	5.9	6.0	5.5	5.7	5.6	5.9	6.0	5.5	5.5	6.5	6.6	5.8	6.0		

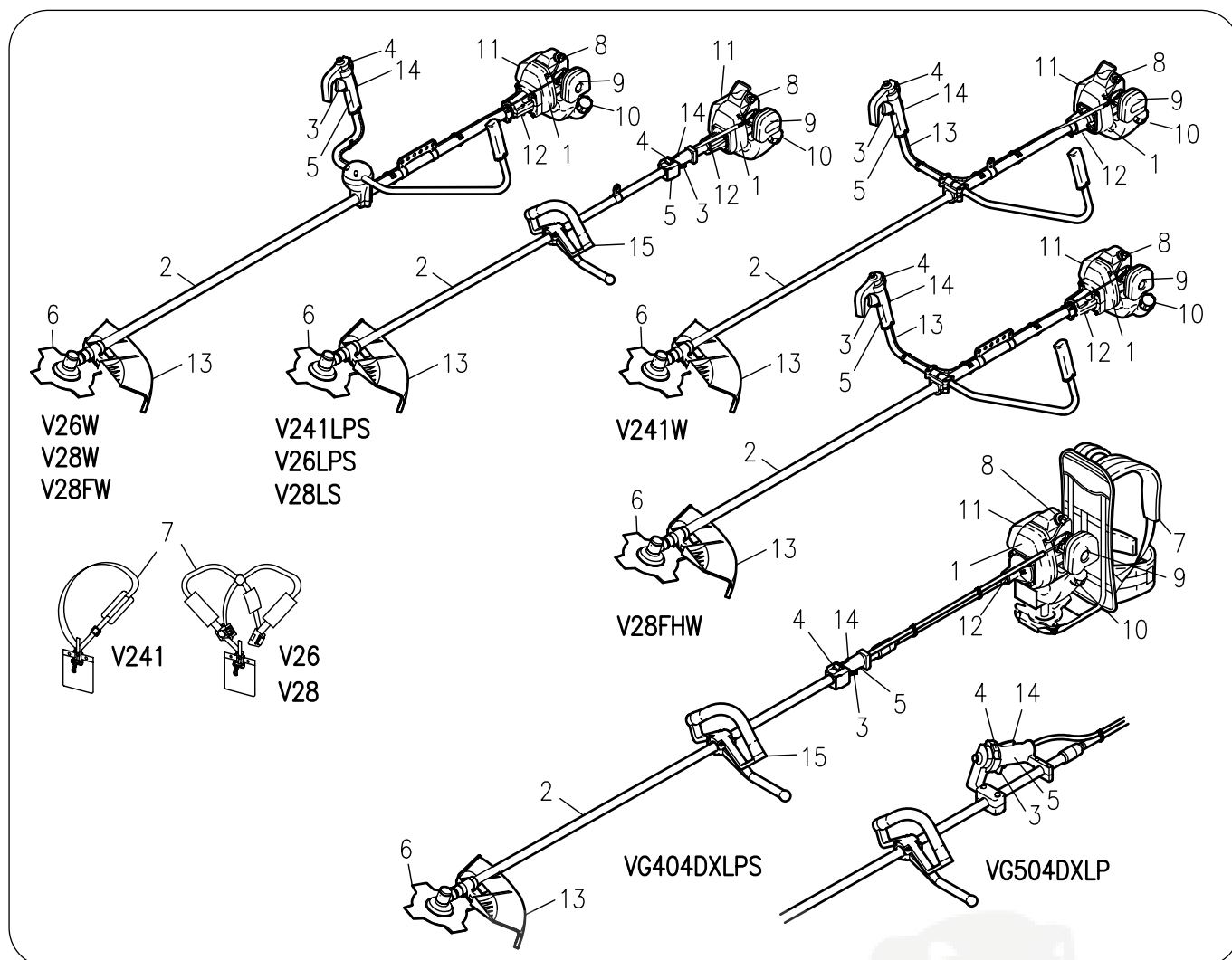
TECHNICAL DATA

Model	V28W				V28FW				V28FHW				VG404DXLPS				VG504DXLPL				
	TL43PFD	TL50PFD	TH43DX	TH48DX	TL43PFD	TL50PFD	TH43DX	TH48DX	TL43PFD	TL50PFD	TH43DX	TH48DX	TL43PFD	TL50PFD	TH43DX	TH48DX	TL43PFD	TL50PFD	TH43DX	TH48DX	
Engine	kg	8.60	8.65	8.40	8.40	8.65	8.70	8.45	8.45	8.35	8.40	8.15	8.15	12.25	12.30	11.95	11.95	12.35	12.00		
Masses	kg	9.10	9.15	8.90	8.90	9.15	9.20	8.95	8.95	8.85	8.90	8.65	8.65	12.75	12.80	12.45	12.45	12.85	12.50		
Volume	l	0.9	0.9	1.0	1.0	0.9	0.9	1.0	1.0	0.9	0.9	1.0	1.0	0.9	0.9	1.0	1.0	0.9	1.0		
	mm	35				35				35				35				35			
Cutting attachment	mm	255				255				255				255				255			
	mm	1.4				1.4				1.4				1.4				1.4			
	mm	3 or 4 or 8				3 or 4 or 8				3 or 4 or 8				3 or 4 or 8				3 or 4 or 8			
	mm	25.4				25.4				25.4				25.4				25.4			
	rpm	8000				8000				8000				8000				8000			
Gear ratio		1.36				1.29				1.29				1.36				1.36			
Rotational direction of output shaft																					
External dimensions	mm	1864	1870	1870	1870	1864	1870	1870	1870	1864	1864	1870	1870	1870	1864	1870	1870	1870	1870	1870	
	mm	690	690	690	690	690	690	690	690	690	690	690	690	690	690	690	690	690	690	690	
	mm	500	500	500	500	500	500	500	500	500	500	500	500	500	500	500	500	500	500	500	
Engine displacement	cm ³	42.7	49.4	43.2	48.6	42.7	49.4	43.2	48.6	42.7	49.4	43.2	48.6	42.7	49.4	43.2	48.6	42.7	49.4	48.6	
Maximum shaft brake power, measured in accordance with ISO 8893	kW	1.55	1.75	1.32	1.40	1.55	1.75	1.32	1.40	1.55	1.75	1.32	1.40	1.55	1.75	1.32	1.40	1.55	1.75	1.4	
Rotational speeds	rpm	6600	6600	7000	6200	6600	7000	6600	7000	6600	7000	6600	7000	6600	6600	7000	6600	6600	6600	6200	
	rpm	8000	7600	7800	7500	8000	7600	7800	7500	8000	7600	7800	7500	8000	7600	7800	7500	7600	7500	7500	
	rpm	7600	7000	7200	6800	7600	7000	7200	6800	7600	7000	7200	6800	7600	7000	7200	6800	7000	6800	6800	
	rpm	2800	2800	2800	2800	2800	2800	2800	2800	2800	2800	2800	2800	2800	2800	2800	2800	2800	2800	2800	
	rpm	3800	3800	3800	3800	3800	3800	3800	3800	3800	3800	3800	3800	3800	3800	3800	3800	3800	3800	3800	
Fuel consumption	l/h	1.55	1.74	0.90	0.87	1.55	1.74	0.90	0.87	1.55	1.74	0.90	0.87	1.55	1.74	0.90	0.87	1.55	1.74	0.9	
	g/(kW·h)	875	870	598	544	875	870	598	544	875	870	598	544	875	870	598	544	875	870	644	
Sound pressure levels	dB	77	78	78	78	77	78	78	78	77	78	78	78	77	78	78	78	77	78	78	
	dB	91	92	92	92	91	92	92	92	91	92	92	92	91	92	92	92	91	92	92	
	dB	87	88	88	88	87	88	88	88	87	88	88	88	87	88	88	88	87	88	88	
	dB	103	104	103	104	103	104	103	104	103	104	103	104	103	104	103	104	103	104	104	
	dB	101	101	100	101	101	101	100	101	101	101	100	101	101	101	100	101	101	101	101	
	dB	106	106	106	106	106	106	106	106	106	106	106	106	106	106	106	106	106	106	106	
Vibration levels	m/s ²	3.6	3.9	3.5	3.8	3.6	3.9	3.7	3.8	3.6	3.9	3.7	3.8	3.4	3.4	3.3	3.4	3.4	3.4	3.8	
	m/s ²	5.0	5.1	4.6	4.9	5.0	5.1	4.8	4.9	5.0	5.1	4.8	5.0	4.5	4.6	4.4	4.5	4.6	4.7	4.7	
	m/s ²	6.3	6.4	5.6	5.8	6.3	6.4	5.7	5.8	6.3	6.4	5.7	5.8	5.8	5.9	5.5	5.8	5.8	5.8	5.7	

SYMBOL MEANING

	<p>Warning-Caution</p>
	<p>Do not use saw-blade</p>
	<p>Minimum safety distance</p>
	<p>Safety clothing:</p> <ol style="list-style-type: none"> 1) Approved safety glasses or face shield 2) Approved safety helmet 3) Approved ear defender 4) Approved gloves 5) Approved safety footwear
	<p>Read operating manual carefully</p>
	<p>Single handle should be locked in place marked '○'</p>
	<p>Do not smoke while refuelling or while operating the machine</p>
	<p>Beware of thrown objects</p>

[1] GENERAL DESCRIPTION



1. Engine
2. Drive shaft housing
3. Trigger
4. STOP switch/throttle advance
5. Control handle
6. Blade
7. Harness
8. Spark plug
9. Air filter cover
10. Fuel tank cap
11. Muffler
12. Clutch housing
13. Safety guard
14. Safety grip
15. Loop handle

[2] SAFETY RULES



Fig. 2-1

1. Make sure all operators study this manual carefully before using the brush cutter. Do not allow children to use the brush cutter.

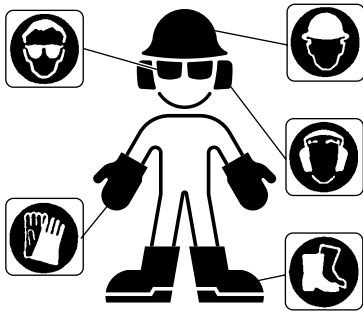


Fig. 2-2

2. When working with the brush cutter, wear suitable clothes.
 - a) Close fitting protective clothes (do not wear short trousers or loose clothes)
 - b) Safety shoes (do not wear sandals and do not work barefoot)
 - c) Heavy-duty gloves
 - d) Safety face shield or goggles
 - e) Ear protection

Make sure you know how to stop the engine and the blade in an emergency (see section **STARTING AND STOPPING ENGINE**). Never use the brush cutter when tired, physically indisposed or under the effect of alcohol, certain medicines or other drugs.

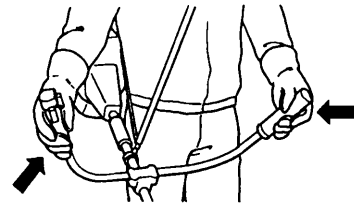


Fig. 2-3

3. Be careful. Prolonged usage of this product may expose the operator to vibration which can produce Whitefinger disease (Raynand's Phenomenon). Always hold the brush cutter firmly with both hands. When working, maintain a firm foothold. The brush cutter must be used exclusively as recommended (see section **SAFETY USAGE**).

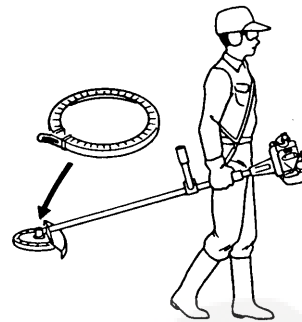


Fig. 2-4

4. Do not carry the brush cutter while the engine is running even for short distances; switch off the engine put the blade cover on the blade and carry the unit with the cutting head behind you. When carrying the brush cutter in a vehicle, secure it to prevent it from moving around. Always empty the fuel tank before transporting the unit. Start the brush cutter on a flat surface. When starting the unit, ensure you have a firm footing. Make sure the blade or the nylon string head does not touch the ground or any obstacle.



Fig. 2-5

5. PRECAUTIONS AGAINST FIRE:

Do not operate the brush cutter near fire or spilled petrol.

Do not run the engine in closed or poorly ventilated areas.

EXHAUST GASES ARE POISONOUS WHEN INHALED. THEY CAN CAUSE SUFFOCATION AND DEATH.

After refuelling, always wipe off any spilled fuel. Do not smoke during this operation. Start the engine far away from the refuelling area and from fuel containers (minimum distance 3 meters). Do not refuel while the engine is still running.

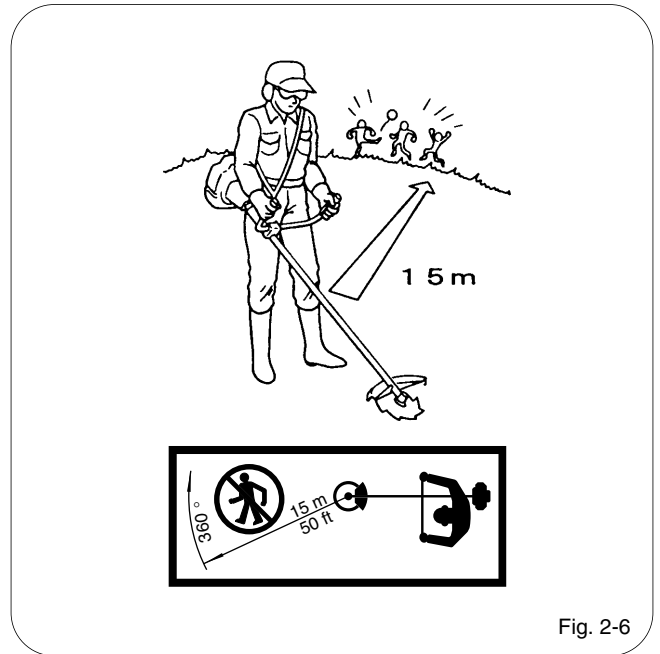


Fig. 2-6

6. Keep people and animals away from working area (minimum distance 15 meters). If somebody should approach you, turn the engine off and stop the blade (see section **STARTING AND STOPPING THE ENGINE**), as during operation the blade or the nylon string head might project grass, grit or other debris. The blade is sharp. Be careful even if handling it when the engine is off. Wear heavy-duty gloves. Turn the engine off and wait for rotating parts to stop completely before working on the machine or before touching the blade or the string head.

DO NOT USE THE BRUSH CUTTER AT ALL, IF THE SPECIFIED SAFETY GUARD IS NOT FIRMLY ATTACHED (see sections **SAFETY USAGE** and **BLADES AND NYLON STRING HEAD ASSEMBLY**).

Pay careful attention to any recommendations, as you might put your life or somebody else's in danger as a result of:

- a) possible contact with cutting or rotating parts,
- b) possibility of projection of various objects

WARNING: Do not start engine if it is not attached to the shaft, as the clutch might disintegrate.

[3] SAFETY USAGE

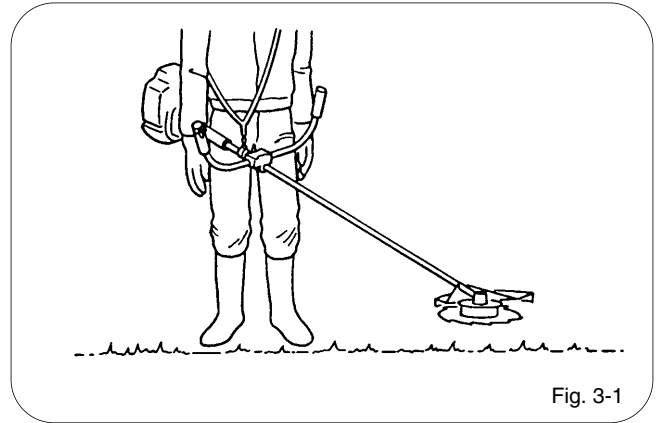
This product must be held to the right of the operator's body. This will exhaust fumes are directed away from the operator and will not be obstructed by the operator's clothing. If you have not used a brush cutter before, spend some time in becoming familiar with the controls and method of usage before operation. Check the machine carefully before using it. Make sure that there are no loosened screws, damaged parts or fuel leakages. Replace damaged or excessively worn accessories (blades, string heads, GUARDS).

Ensure all maintenance and repair work are carried out by an authorized service center. Check the condition of the antivibration components on a regular basis.

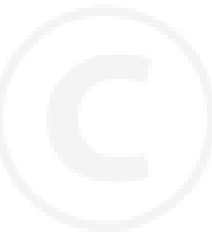
N.B. In order to maintain performance and safety, be sure to use original spare parts and accessories.

Avoid using the brush cutter over excessively long periods of time.

Excessive amounts of vibration can be harmful.



1. Remove from the work area grit debris ropes, metal parts or any other object which might get entangled along the rotating parts or be dangerously projected. Before starting to work, fir the harness correctly. Adjust harness with the buckle so that the brush cutter is well blanced on your right side and the blade or string head is parallel to the ground. Ensure the pole barrier is correctly assembled (on units supplied with one).



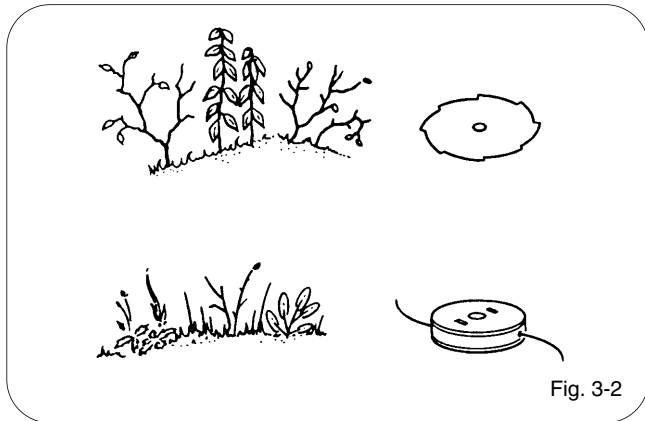


Fig. 3-2

2. The following accessories can be assembled to your brush cutter. a) blade, b) nylon string head.

a) WHEN USING A BLADE, ENSURE THE CORRECT GUARD IS FITTED.

b) WHEN USING A NYLON STRING HEAD, ENSURE THE CORRECT GUARD IS FITTED.

When using the unit hold the front part of the machine (blade or nylon string head) below your waist.

NYLON STRING HEAD:

Always make sure it has been correctly assembled (see section ASSEMBLY and relevant chart).

The nylon string head is suitable to mow a lawn to trim grass and weeds on edges or wherever there might be obstacles like trees, fences or walls.

The nylon string head also reduces the likelihood of damaging small plants and trees bark.

BLADE:

Always make sure it has been correctly assembled (see section SAFETY and ASSEMBLY and relevant chart).

When fitting or changing a cutting device, ensure you follow the instructions in the section “fitting a blade or nylon string head” with extreme precision. Fit these cutting devices using all and only the parts described, and in the correct order.

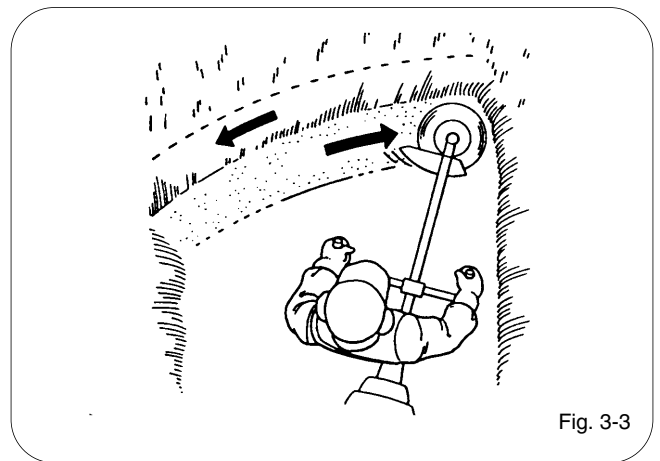


Fig. 3-3

3 BLADES:

You can cut any type of grass, bushwood or shrub. Operate the machine like a sickle always cutting at full throttle.

N.B. This machine is designed so that the blade or nylon string head is mounted for rotation in the anticlockwise direction.

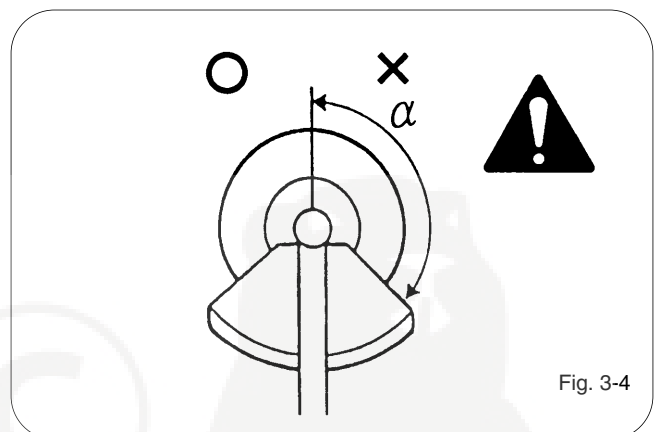



Fig. 3-4

4. WARNING: Always use a well sharpened blade.

A blade with worn teeth besides providing poor performance, might also generate a sudden thrust. This can result in a violent sideways kick caused when the blade touches against solid bodies. Such thrust might then cause the operator to lose control of the machine itself. Do not attempt to use a damaged blade but replace it with a new one.

THRUST: Can occur when using any type of blade within the risk area ; therefore it is advisable to cut using the remaining area of the blade.

[4] FUEL MIX

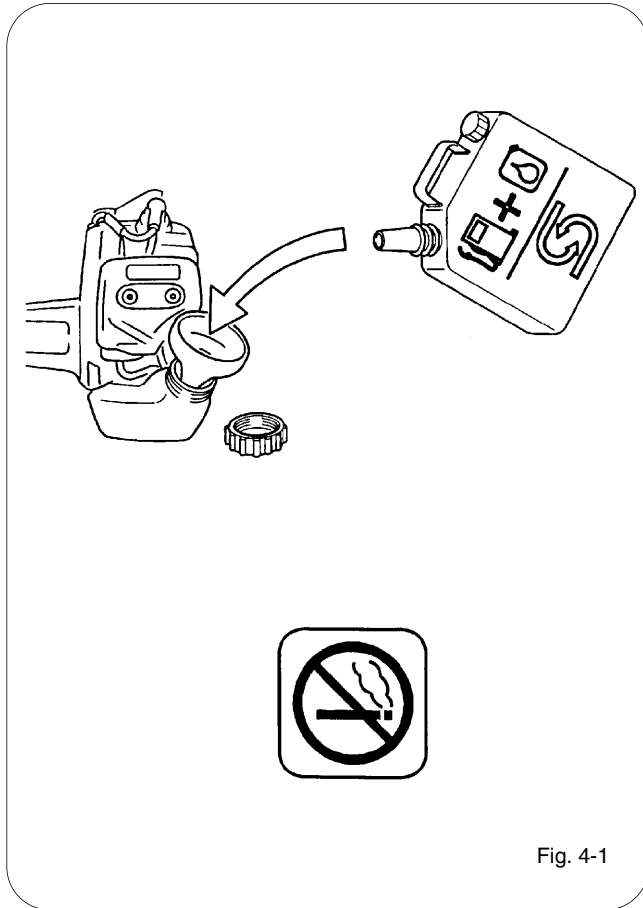




Fig. 4-1

	50 : 1  2 %
4 ltr	80 mL
5	100
10	200
20	400

This product is fitted with a 2-stroke engine and therefore requires a 2-stroke fuel and oil mix. Use a high quality 2-stroke engine oil using 2% (50:1) oil. In order to obtain a good fuel mix, put the oil into the container before the petrol.

Petrol

This engine can use leaded (4 star) or unleaded petrol with a minimum octane rating of 90. When using unleaded petrol mix it with 2% (50:1) of high quality synthetic oil specifically made for 2-stroke engines.

Important. Always shake this fuel mix vigorously each time you use it.

Fuel mix properties deteriorate with time. We therefore, recommend that you only make the quantity of fuel mix you will need for each usage. Do not use fuel mix more than a week old, as this could damage the engine. Warning. Do not smoke when re-fuelling.

Always open the fuel cap slowly.

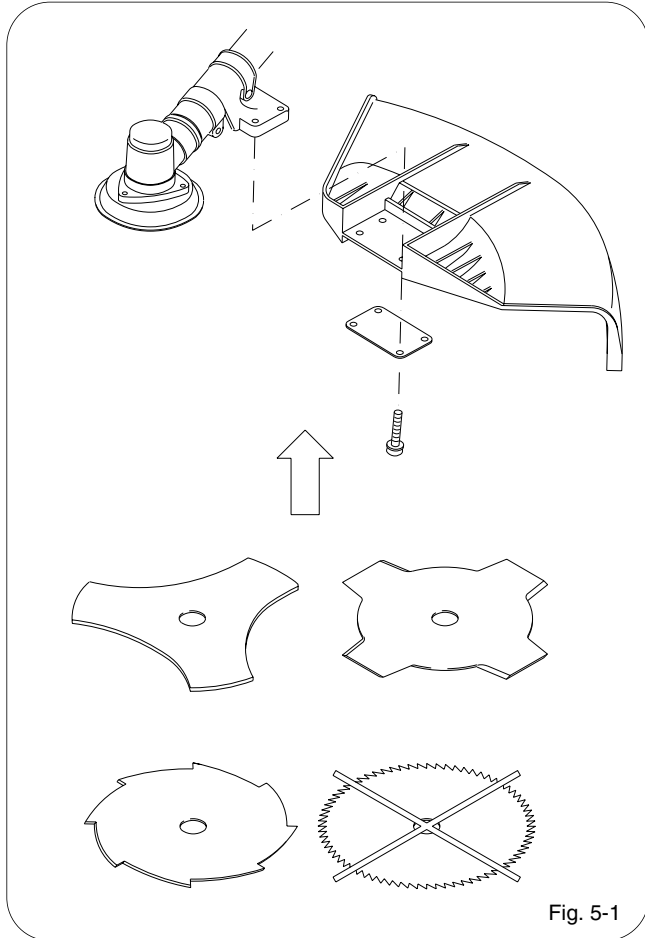
Re-fuel in open spaces only, keeping away from naked flames or sparks.

Always store fuel in an approved container.

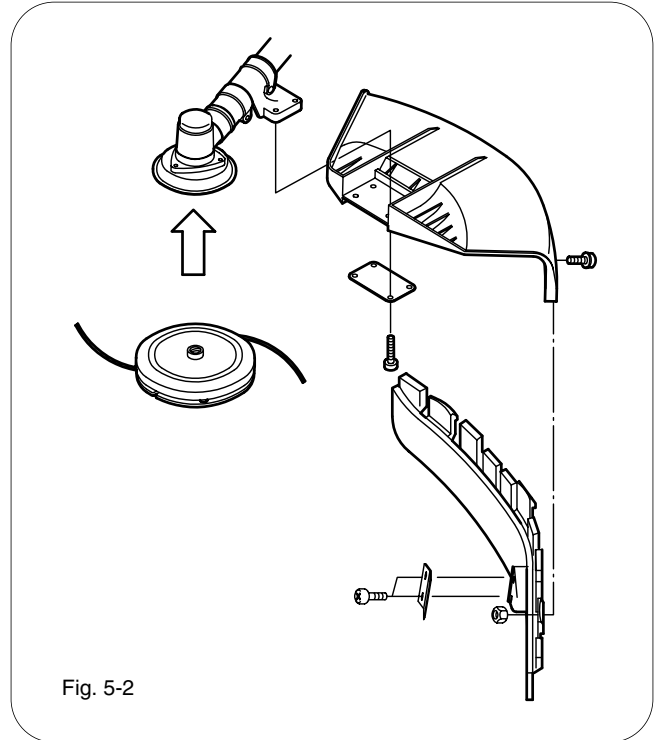
Safety Storage of Fuel

Petrol is highly inflammable. Put out all cigarettes, pipes and cigars before working with petrol. Avoid spilling petrol. Store fuel in a cool well ventilated place, in an approved container specifically designed for the purpose. Never store engine with fuel in the tank in enclosed, poorly ventilated areas, where fuel fumes may reach an open flame, spark or pilot light such as in a furnace, water heater, clothes dryer, etc. Petrol fumes can cause an explosion or a fire. Do not store large amounts of fuel.

[5] SAFETY GUARD ASSEMBLY



1. For safety reasons, it is imperative that the unit is used with the correct guard when fitted with a grass cutting blade. (Fig. 5-1)



2. For a safety reasons, it is imperative that the unit is used with the correct guard when fitted with a nylon head. (Fig. 5-2)

Use only manufacturer's original blades. Only use blades or nylon string heads clearly marked with a maximum R.P.M. speed of at least 10,000 R.P.M.

Follow the fitting instructions carefully

Our standard tightening torque of bolt, screw and nut is as follows:

Size	Torque (daN·m)
M4	1.6
M5	3.1
M6	5.1
M8	12.2
M10	24.5

Please be careful not to tighten them too tightly.

N.B. Bolt of grease-up port on gearcasing must be tightened at 3.6 daN·m torque.

[6] BLADE AND NYLON STRING HEAD ASSEMBLY

Assemble the correct guard to suit the kind of blade or nylon string head to be used (See section: SAFETY GUARD ASSEMBLY).

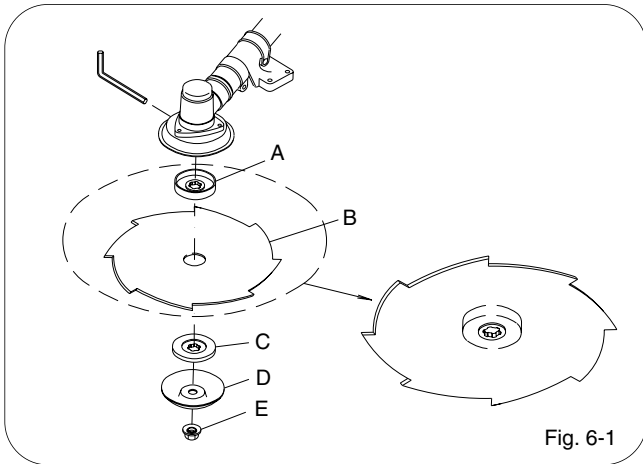


Fig. 6-1

1. Assemble the blade as illustrated.
 - a) Holder cutter with blade centering
 - b) Blade with text and directional arrow facing upwards
 - c) Cap cutter
 - d) Stabilizer
 - e) Blade locking nut or bolt (Fig. 6-2)

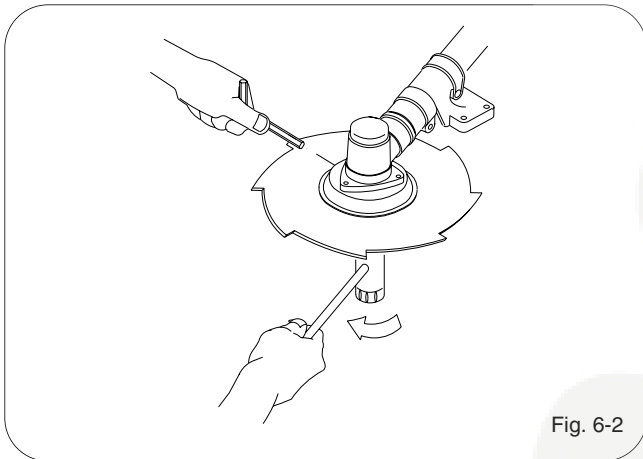


Fig. 6-2

2. Make sure that the blade core opening fits perfectly along the centering collar on the holder cutter. Tighten anticlockwise. While tightening, the blade assembly can be held fast by inserting the wrench or the screwdriver supplied into the holder cutter and gearcase holes. To do this, rotate the cap until the two holes coincide.

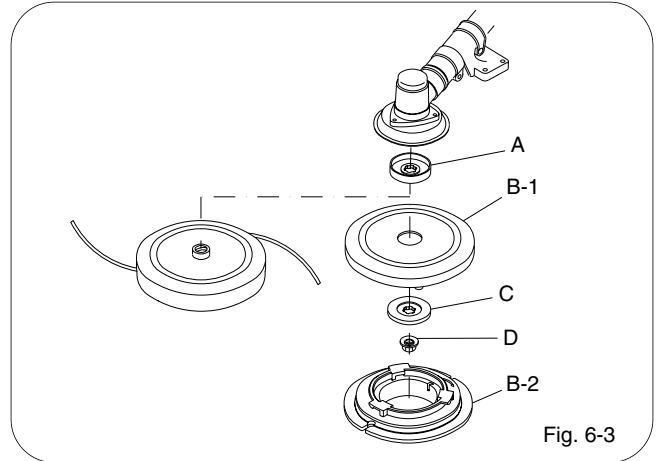


Fig. 6-3

3. Assemble nylon string head as illustrated.

Model: NV

- a) Loosen the nylon string head NV, and leave Disc B-1 only.
- b) Match the Disc with the center of the holder cutter positionally.
- c) Cap cutter
In the case of Model NV, the cap cutter C is a dedicated part.
- d) Blade locking nut or bolt (Fig. 6-2)
- e) Set the code cassette (B-2) on the Disc (B-1). For the handling method, refer to the manual for the nylon string head Model NV.

Model: Spool cutter

Mount the nylon string head after the cap cutter in succession. (Fig. 6-4)

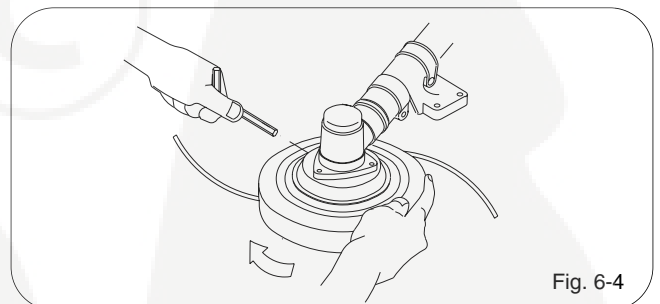


Fig. 6-4

4. While tightening, the head assembly can be held fast by inserting the wrench or the screwdriver supplied into the holes as already shown for the blade assembly.

[7] ENGINE/SHAFT HOUSING ASSEMBLY

⚠ DANGER

Do not run the engine without shaft housing attached, as the clutch could fly off.

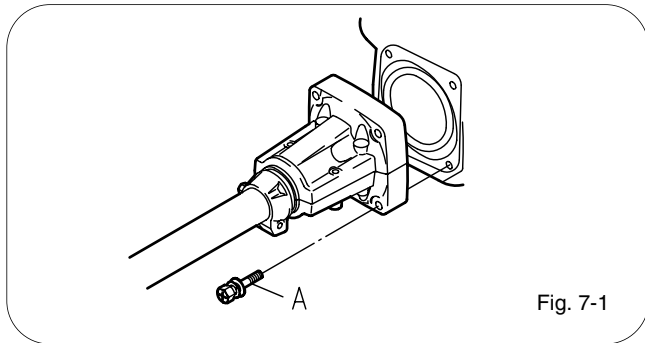


Fig. 7-1

1. Assemble the engine onto the shaft housing. Make sure the shaft is fully and correctly up to the shank, then tighten the four screws A. (Fig. 7-1)

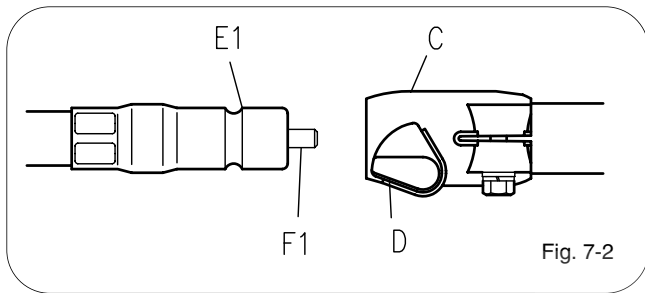


Fig. 7-2

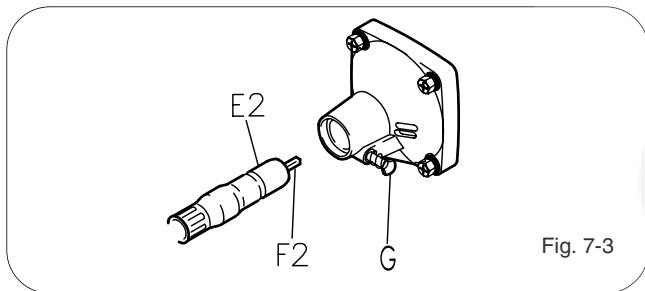


Fig. 7-3

2. In the case of a backpack type reaper, insert the flexible shaft ass'y metal fitting (E1) while pulling up the knob (D) of the flexible holder (C), then release your hand from the knob (D). Match the position of the flexible inner shaft end (F1) with the mating square hole, and push in the end from the E2 side. (Fig.7-2)

Then, insert the flexible inner shaft ass'y metal fitting (E2) while pushing the knob (G).

At that time, be careful so that the flexible inner shaft end (F2) enters the mating square hole. After the end (F2) enters the mating hole, release your hand from the knob (G). (Fig.7-3)

[8] HANDLE GRIP/HANDLE/THROTTLE WIRE ASSEMBLY

Mounting of handle grip

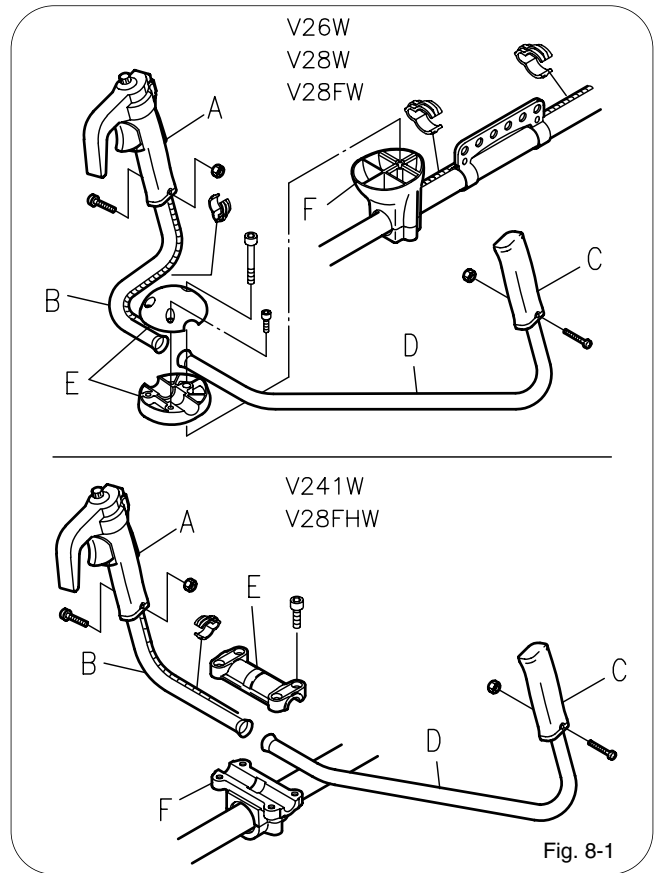


Fig. 8-1

1. Double handle

Mount the control handle (A) on the handle (B) and the grip (C) on the handle (D). Engage individual handles with the grooves in the handle holder (F), hold them with the handle holder (E), and fix them with bolts. Fix the wire/cord Assy to the handle with a band. (Fig. 8-1)

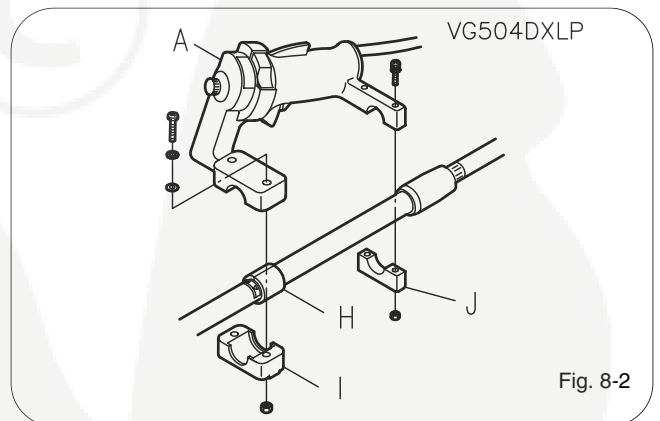


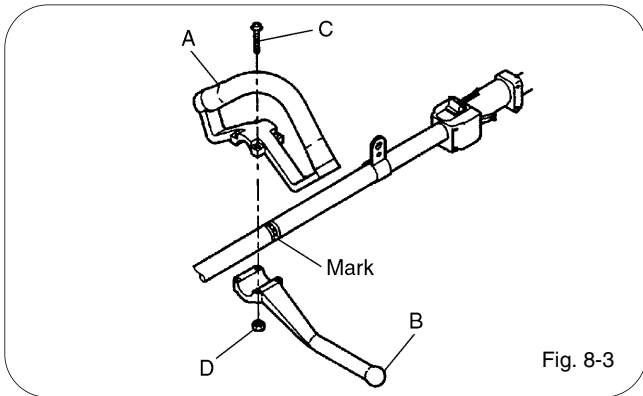
Fig. 8-2

2. VG504DXLP

Wrap vibration proof rubber (H) around the drive shaft housing at the two marked positions.

Place control handle (A) on the vibration proof rubber (H) toward the engine side, then attach and tighten handle holder (I) with bolts and nuts.

Attach and tighten handle holder (J) with bolts and nuts. (Fig.8-3)

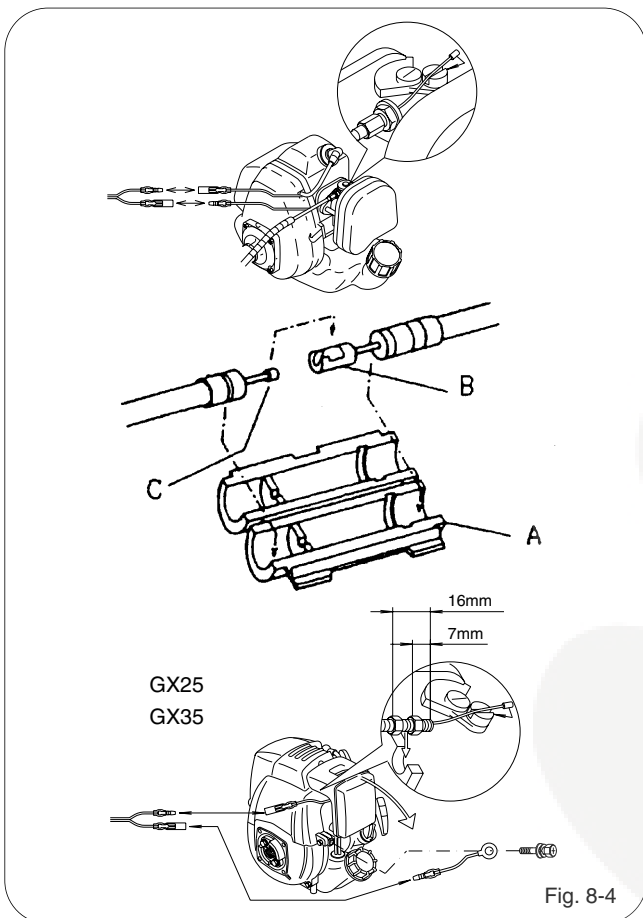


3. Loop handle

The loop handle consists of loop handle body (A), handle holder (B), Setting bolts M5 × 30 (C) and nuts M5 (D).

Set the loop handle body at the marked position on the drive shaft housing, then attach and tighten handle holder (B) with bolts (C) and nuts (D).

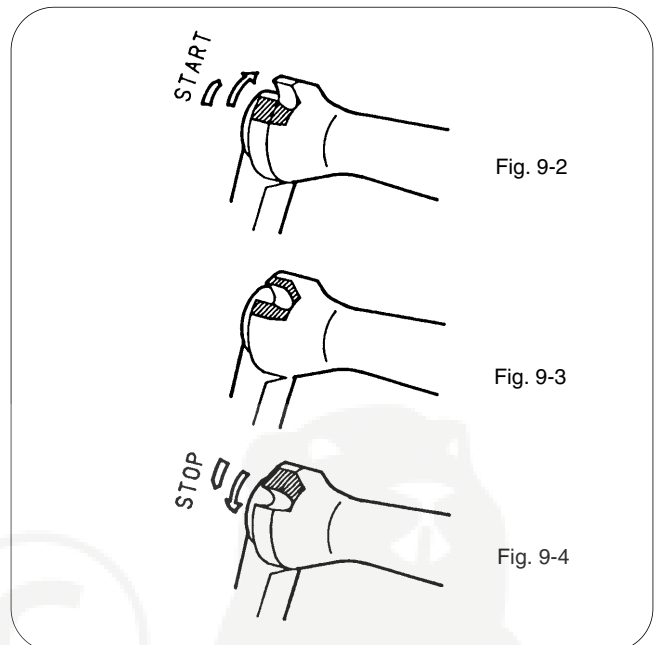
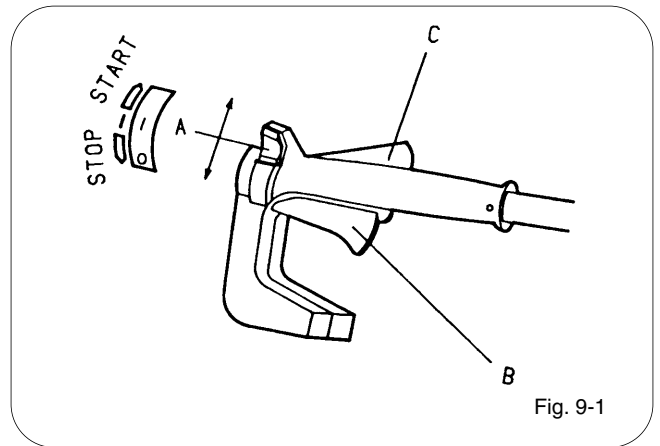
Connection of throttle wire



Open the engine side throttle wire joint cover (A). Insert the control handle side wire end (C) in the engine side throttle wire end (B). Match the end with the joint cover groove positionally as it is, and close the joint cover. Connect the control handle/engine cord Assy. (Fig. 8-4)

[9] STARTING AND STOPPING THE ENGINE

MODEL: V24IW V26W V28W V28FW V28FHW
VG504DXLP



ENGINE STARTING

First, press the safety lever (C), and fully hold the lever (B). Release your hand from the lever (B) in state with the knob (A) pushed in the “→ START” direction (Fig. 9-2). Then, the throttle is fixed in the middle speed position to facilitate easy start of the engine.

Start the engine in accordance with the engine operation manual. After start of the engine hold the lever (B) again, and leave your hand from it. Throttle advance is cancelled, and the engine is put in the idling state. At that time, the knob (A) moves to the position shown in Fig. 9-3.

ENGINE STOPPING

To stop the engine, push the knob (A) in the “← STOP” direction (Fig. 9-4).

WARNING: When the engine is switched off, the rotating part, blade or nylon string head, will keep on rotating for a few seconds. Hold the machine until all parts come to a standstill.

N.B. In an emergency the above mentioned delay in stopping may be shortened by touching the blade parallel to the grounds.

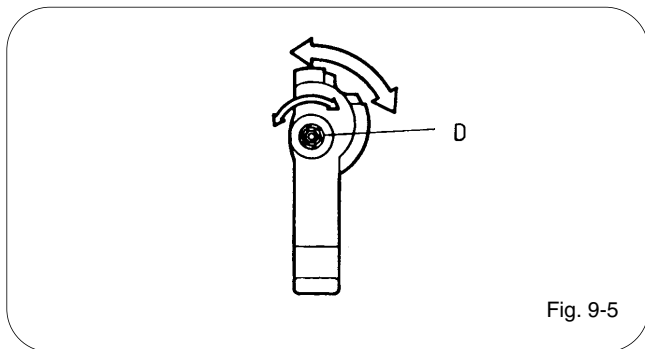


Fig. 9-5

The knob (D) on the control lever is a throttle positioner. (Fig. 9-5)

Turn the knob clockwise, and the engine rotational speed changes toward the lower speed side when the lever (B) is operated. The speed can be set to the higher side when the knob is turned anticlockwise. Select the knob position in conformance with the working condition.

N.B. If the knob is fastened excessively (clockwise), it becomes impracticable to lock the knob (A) in the “→ START” position.

MODEL: V241LPS V26LPS VG404DXLPS

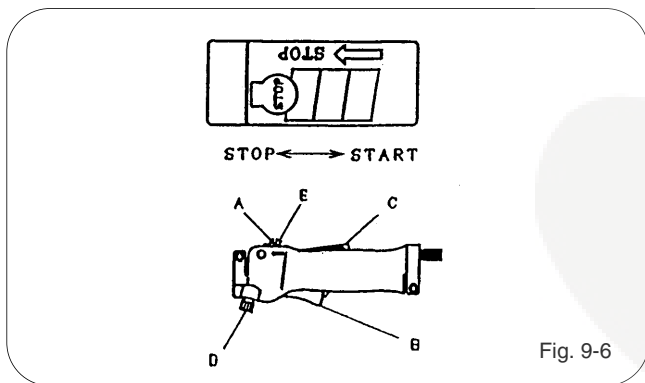
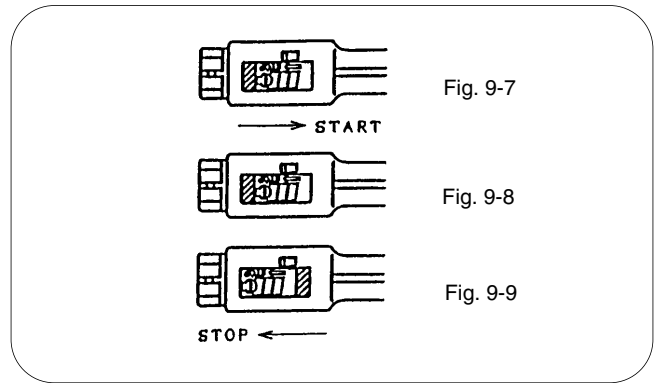


Fig. 9-6



ENGINE STARTING

Press lever (C) and hold lever (B). Release levers (C) and (B) while keeping knob (E) pressed. The throttle lever (B) is now in its partial acceleration position, in order to let the engine start more quickly and easily. Start the engine according to its operation and maintenance manual.

After starting the engine, pull throttle lever (B) once again and release it right away in order to unlock it from the partial acceleration position and to let the engine idle when lever (B) is released (Fig. 9-8).

ENGINE STOPPING

In order to stop the engine, press button (A) into its STOP position (Fig. 9-9).

WARNING: When the engine is switched off, the rotating part, blade or nylon string head, will keep on rotating for a few seconds. Hold the machine until all parts come to a standstill.

NOTE: In the event of an emergency, the time required for the disc or the string cutter head to stop can be reduced by resting the cutting tool level onto the ground. The ring nut (D) located on the control handle is for adjusting the engine.

By turning ring nut (D) clockwise, the engine rpm is reduced during the subsequent use of throttle lever (B). Conversely, turning ring nut (D) counterclockwise raises the engine rpm.

Therefore, adjust ring nut (D) according to the operating conditions.

[10] HARNESS HANDLING METHOD

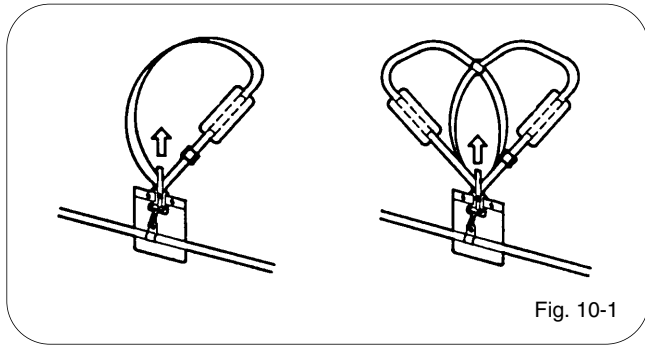


Fig. 10-1

In normal use of the reaper, set the harness side hook on the hanger strap stem securely before starting the work. This applies to both single and double harness. (Fig. 10-1)

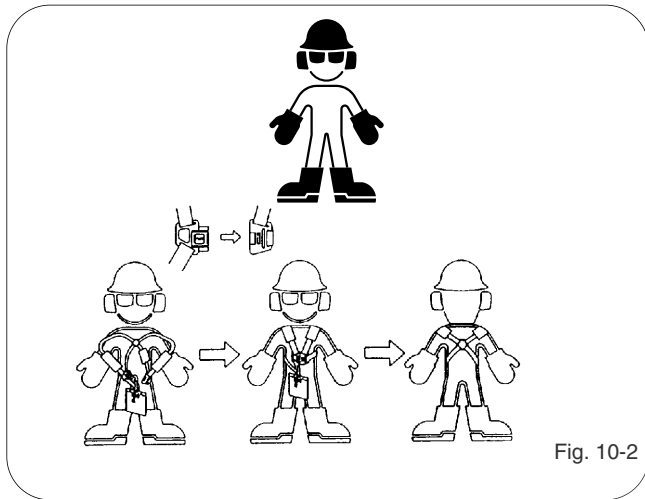


Fig. 10-2

For the harness fitting method, see Fig. 10-2.

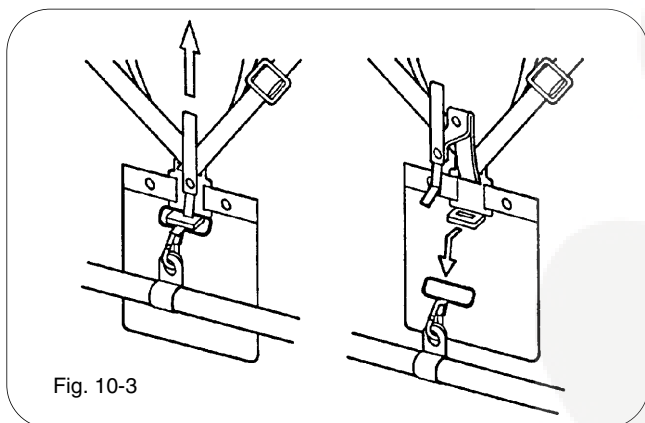


Fig. 10-3

In the case of an emergency pull up the belt (red), and the total machine can be separated from the harness. Be careful not to operate the belt carelessly except for a case of emergency. (Fig. 10-3)

[11] REGULAR MAINTENANCE

From time to time make sure all brush cutter screws are firmly secured. Replace damaged, worn, cracked or warped blades. Always make sure nylon string head and blade have been assembled correctly (see section BLADE AND NYLON STRING HEAD ASSEMBLY) and blade fastener is tightened.

1. AIR FILTER CLEANING (at least every 25 working hours). A dust clogged air filter may cause carburetor problems. This may prevent the engine from reaching its maximum r.p.m. and cause high fuel consumption and/or difficult starting. Remove filter cover. Carefully clean the inside of filter box. The filter can also be cleaned with compressed air.

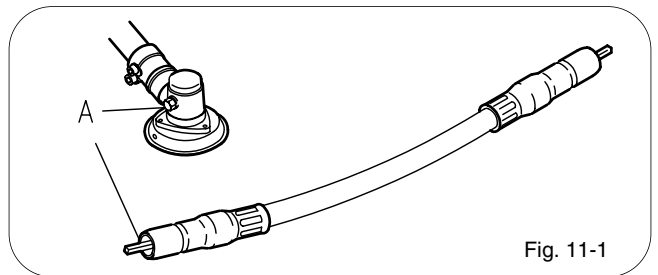


Fig. 11-1

2. Every 50 working hours inject the gearcase with gear grease under high pressure through hole A. In the case of a backpack type reaper; Apply grease to the flexible inner shaft ass'y's inner shaft as well.

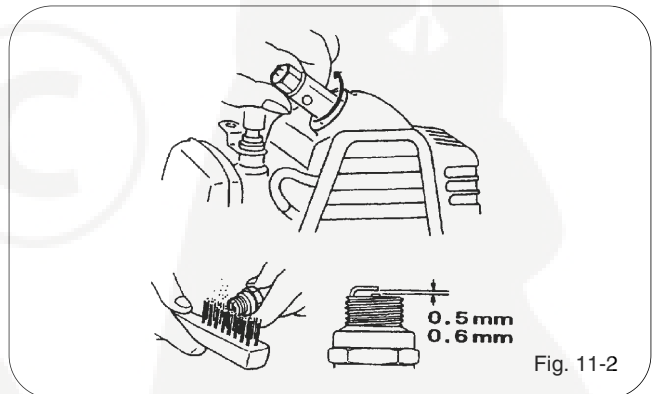


Fig. 11-2

3. SPARK PLUG

From time to time (at least every 50 hours) remove and clean the spark plug and check the electrode cap (0.5/0.6 mm). Replace spark plug about every 100 working hours or whenever it is extremely encrusted. Heavily encrusted electrodes can result from an incorrect carburetor setting or from wrong fuel mixture (too much oil in the petrol) or a poor quality oil in the fuel mix. Check and correct.

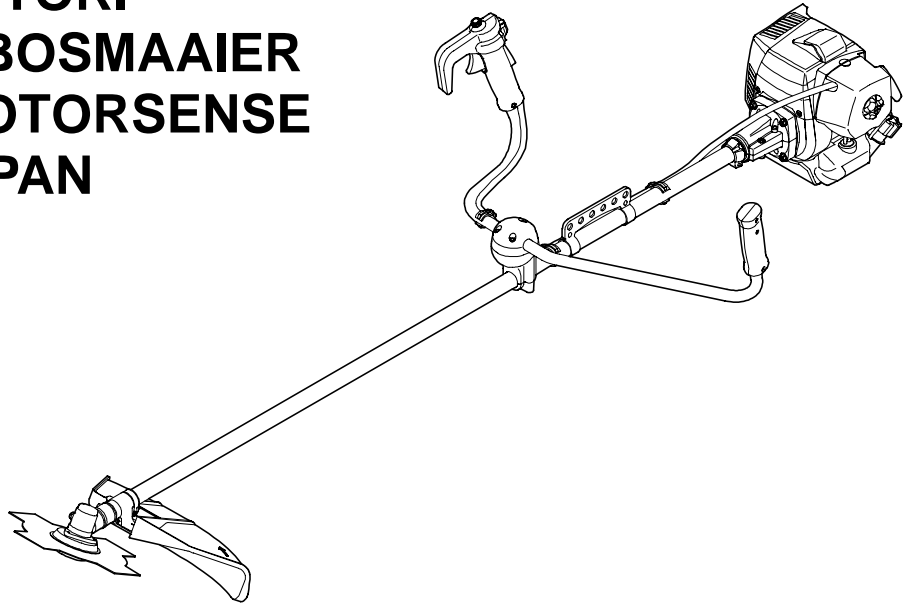
[12] FAULT FINDING TABLE

	Engine will not start.	Engine will not start of run badly.	The brush cutter does not cut well.	Engine runs fast but loses power when cutting.
Check STOP switch is in the position I.	●	●		
Control fuel level min. 25% tank capacity.	●	●		
Check air filter is clean.		●		
Remove spark plug, dry it, clean it and adjust it, and replace it, if necessary..	●	●		
Control and adjust the carburetor screws if necessary.		●	●	●
Change fuel filter. Contact your dealer.				●
Carefully follow the blade assembly instructions.			●	
Check blade is sharp. Otherwise, contact you dealer.			●	

**BRUSH CUTTER
DESBROZADORA
DEBROUSSAILLEUSE
ROÇADORAS
DECESPUGLIATORI
DRAAGBARE BOSMAAIER
TRAGBARE MOTORSENSE
MOTORLU TIRPAN**



Model **V242L**
Modelo **V242W**
Modèle **V262L**
Modelo **V262W**
Modello **V282W**
Model
Model
Model



(ENGLISH) OPERATING MANUAL
(ESPAÑOL) MANUAL DE INSTRUCCIONES
(FRANÇAIS) MANUAL DE FONCTIONNEMENT
(PORTUGUÊS) MANUAL DE INSTRUÇÕES
(ITALIANO) MANUALE D'USO E MANUTENZIONE
(NEDERLANDS) HANDLEIDING
(DEUTSCH) BEDIENUNGSANLEITUNG
(TÜRKÇE) KULLANMA KILAVUZU



Make sure all operators study this Manual carefully before using the brush cutter.



MARUNAKA, LTD.

11MUKAIDANISHI-MACHI.KISSHOIN.MINAMI-KU.KYOTO,JAPAN.601-8307
info-e@marunaka-japan.co.jp
<http://www.marunaka-japan.co.jp>

CODE: 800204407
0802

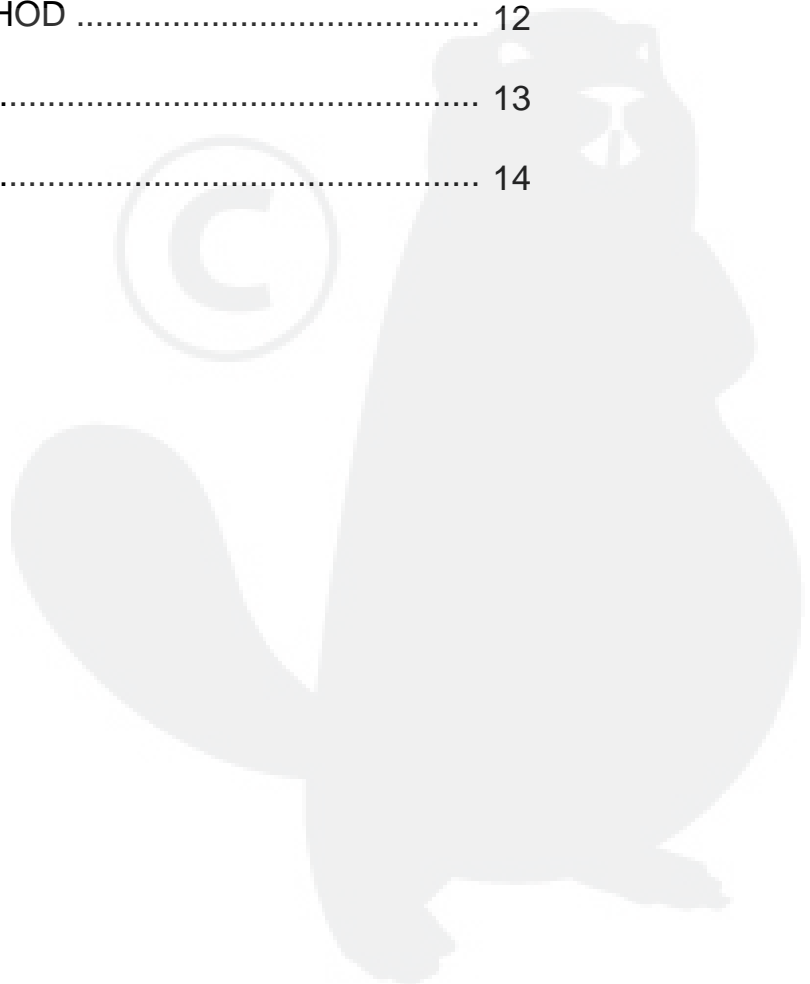
Contents

ENGLISH

TECHNICAL DATA

SYMBOL MEANING



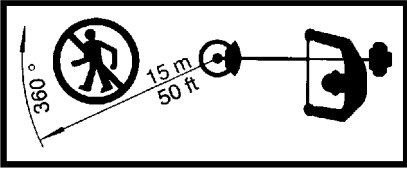
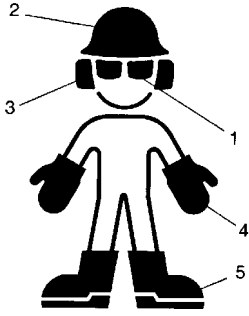

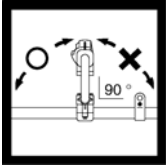


[1] GENERAL DESCRIPTION	1
[2] SAFETY RULES	2
[3] SAFETY USAGE	3
[4] FUEL AND OIL.....	5
[5] SAFETY GUARD ASSEMBLY	6
[6] BLADE AND NYLON STRING HEAD ASSEMBLY	7
[7] ENGINE/ CLUTCH CASE ASSEMBLY	8
[8] HANDLE GRIP/HANDLE/THROTTLE WIRE ASSEMBLY	8
[9] STARTING AND STOPPING THE ENGINE	9
[10] HARNESS HANDLING METHOD	12
[11] REGULAR MAINTENANCE	13
[12] FAULT FINDING TABLE	14



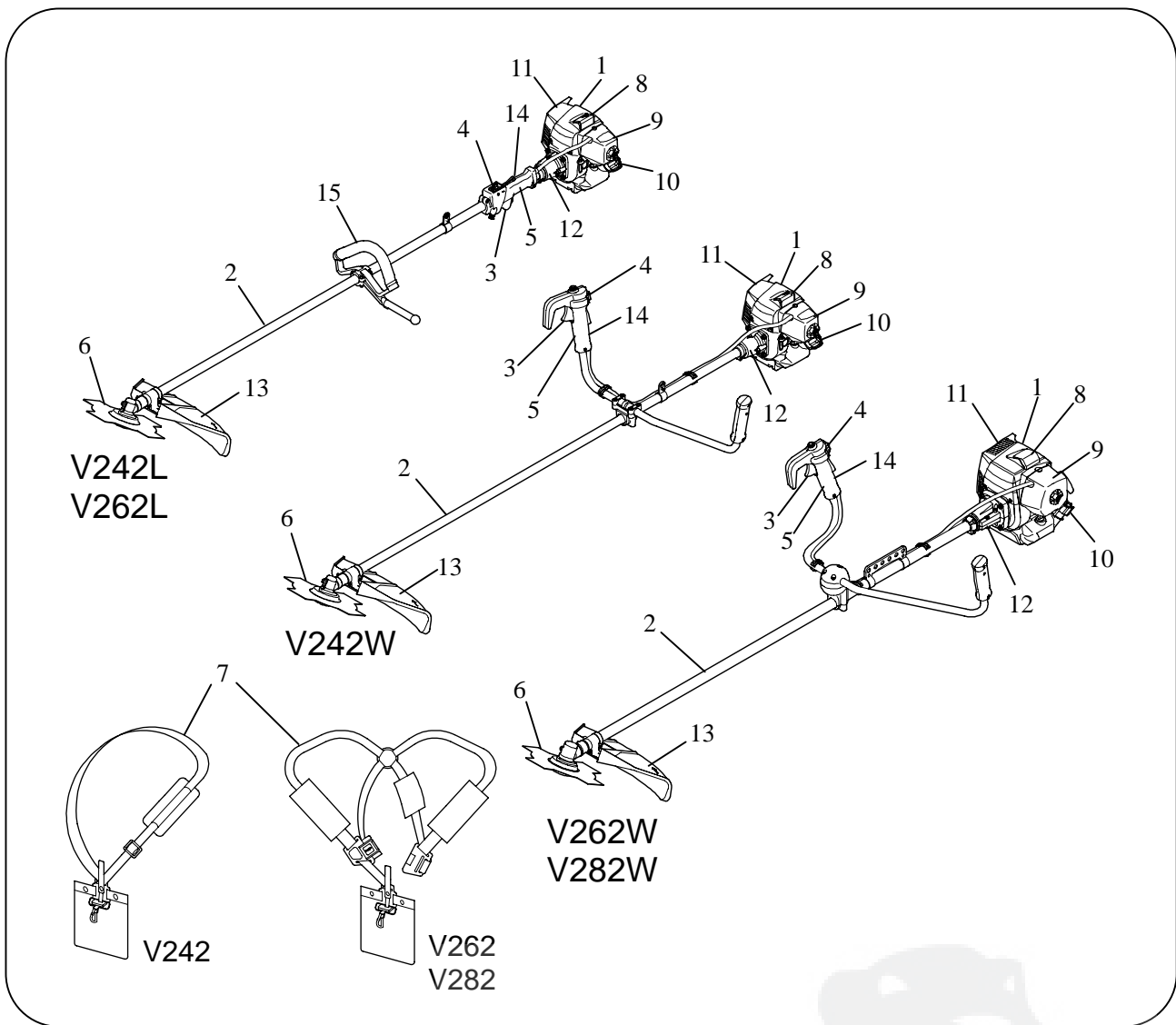
TECHNICAL DATA

Model	V242L			V242W			V262L			V262W			V282W			
	TJ027E	GX25	TLE26	TJ027E	GX25	TLE26	TJ035E	GX35	TLE33	TJ045E	GX35	TJ035E	TJ045E	GX35	TLE33	V282W
Engine																
Unit without cutting attachment, empty tank	kg	5.4	5.9	5.6	6.1	6.3	6.5	7.3	6.9	7.2	7.5	8.4	8.4	8.4	7.9	8.6
Unit with specified cutting attachment, empty tank	kg	6.0	6.5	6.2	6.7	6.9	7.2	8.0	7.6	7.9	8.2	9.0	9.0	8.9	8.6	9.2
Unit with specified cutting attachment, full tank	kg	6.4	6.9	6.7	7.1	7.4	7.7	8.6	8.2	8.4	8.7	9.6	9.6	9.4	9.2	9.8
Fuel tank	l	0.5	0.58	0.6	0.5	0.6	0.7	0.9	0.8	0.63	0.7	0.9	0.9	0.63	0.8	0.9
Specified blade diameter	mm	230														
Specified blade thickness	mm	1.4														
Number of cutting teeth	mm	3, 4 or 8														
Blade center hole diameter	mm	25.4														
Blade rotational speed at maximum allowed engine speed	rpm	8000														
Gear ratio		1.36														
Rotational direction of output shaft																
Seen from above anticlockwise																
External dimensions	mm	1835	1865	1845	1835	1865	1845	1850	1860	1875	1845	1850	1860	1875	1845	1860
Width	mm	400	400	400	695	695	400	400	400	400	400	690	690	690	690	690
Height	mm	295	310	300	480	480	325	335	340	340	330	525	525	525	525	525
Engine displacement	cm ³	26.3	25.0	25.6	26.3	25.0	34.4	45.4	45.4	35.8	32.6	34.4	45.4	35.8	32.6	45.4
Maximum shaft brake power, measured in accordance with ISO 8893	kW	0.77	0.72	1.12	0.77	0.72	1.03	1.4	1.4	1.0	1.3	1.03	1.4	1.0	1.3	1.4
Engine speed at maximum power	rpm	7500	7000	7500	7500	7000	7000	7000	7500	7000	7000	7000	7500	7000	7000	7500
Recommended maximum engine speed	rpm	8000	8000	8000	8000	8000	8000	8000	8000	8000	8000	8000	8000	8000	8000	8000
Output shaft speed	rpm	5900	5900	5900	5900	5900	5900	5900	5900	5900	5900	5900	5900	5900	5900	5900
Recommended engine idling speed	rpm	2800	2800	2800	2800	2800	2800	2800	2800	2800	2800	2800	2800	2800	2800	2800
Engine speed at beginning of clutch engagement	rpm	3800	3800	3800	3800	3800	3800	3800	3800	3800	3800	3800	3800	3800	3800	3800
Fuel consumption	gr/(kW·h)	545/7500rpm	547/7000rpm	387/7500rpm	545/7500rpm	547/7000rpm	465/7000rpm	460/7500rpm	460/7500rpm	518/7000rpm	465/7000rpm	460/7500rpm	460/7500rpm	518/7000rpm	445/7000rpm	460/7500rpm
Idling (L _{PI})	dB	75.9	72.6	76.7	75.9	72.6	77.2	74.0	74.0	72.5	75.2	77.2	74.0	72.5	75.2	74.0
Racing (L _{PR})	dB	96.3	94.1	96.2	96.3	94.1	98.5	101.2	101.2	96.0	97.6	98.5	101.2	96.0	97.6	101.2
Idling (L _{WI})	dB	87	83	88	87	83	87	84	84	86	87	87	84	86	87	84
Racing (L _{WR})	dB	106	106	108	106	106	110	110	110	109	110	110	110	109	110	110
Guaranteed sound power level (L _{WA})	dB	111														
Idling (R/L)	ms ⁻²	2.2/4.4	1.8/2.4	2.5/5.5	2.3/2.2	1.6/1.5	4.3/5.3	3.0/5.1	3.0/5.1	1.3/3.4	5.0/4.6	2.7/4.0	3.4/2.7	1.7/3.0	1.9/2.9	2.6/1.9
Racing (R/L)	ms ⁻²	6.2/12.2	7.5/7.7	6.7/10.9	3.1/2.5	4.8/4.2	6.5/8.8	7.1/8.3	7.1/8.3	7.4/7.2	4.9/11.1	5.6/5.0	7.9/7.1	5.6/4.8	6.3/6.0	7.1/5.1
Equivalent vibration total values (R/L)	ms ⁻²	4.6/9.2	5.4/5.7	5.1/8.6	2.7/2.3	3.5/3.2	5.5/7.2	5.4/6.9	5.4/6.9	5.3/5.7	4.9/8.5	4.4/4.5	6.1/5.4	4.1/4.0	4.7/4.7	5.4/3.9

SYMBOL MEANING

	<p>Warning-Caution</p>
	<p>Do not use saw-blade</p>
	<p>Minimum safety distance</p>
	<p>Safety clothing: 1) Approved safety glasses of face shield 2) Approved safety helmet 3) Approved ear defender 4) Approved gloves 5) Approved safety footwear</p>
	<p>Read operating manual carefully</p>
	<p>Single handle should be locked in place marked 'O'</p>
	<p>Do not smoke while refuelling or while operating the machine</p>
	<p>Beware of thrown objects</p>

[1] GENERAL DESCRIPTION



- 1. Engine
- 2. Drive shaft housing
- 3. Trigger
- 4. STOP switch/throttle advance
- 5. Control handle
- 6. Blade
- 7. Harness
- 8. Spark plug
- 9. Air cleaner cover
- 10. Fuel tank cap
- 11. Muffler
- 12. Clutch case
- 13. Safety guard
- 14. Safety grip
- 15. Loop handle

[2] SAFETY RULES



Fig.2-1

1. Make sure all operators study this manual carefully before using the brush cutter. Do not allow children to use the brush cutter.

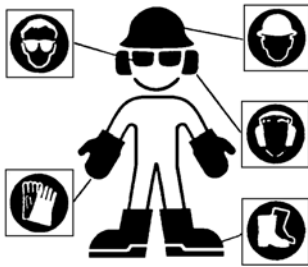


Fig.2-2

2. When working with the brush cutter, wear suitable clothes.
 - a) Close fitting protective clothes (do not wear short trousers or loose clothes)
 - b) Safety shoes (do not wear sandals and do not work barefoot)
 - c) Heavy-duty gloves
 - d) Safety face shield or goggles
 - e) Ear protection

Make sure you know how to stop the engine and the blade in an emergency (see section **STARTING AND STOPPING ENGINE**). Never use the brush cutter when tired, physically indisposed or under the effect of alcohol, certain medicines or other drugs.

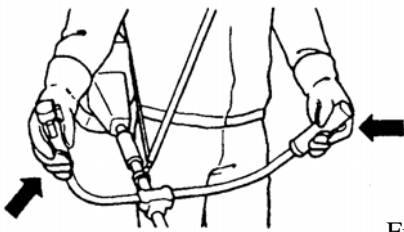


Fig.2-3

3. Be careful. Prolonged usage of this product may expose the operator to vibration which can produce Whitefinger disease (Raynand's Phenomenon). Always hold the brush cutter firmly with both hands. When working, maintain a firm foothold. The brush cutter must be used exclusively as recommended (see section **SAFETY USAGE**).

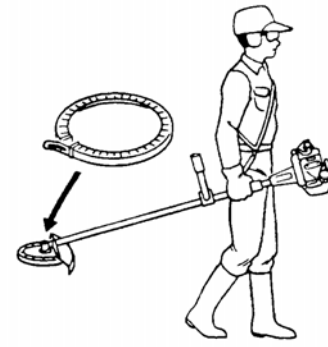


Fig.2-4

4. Do not carry the brush cutter while the engine is running even for short distances; switch off the engine put the blade cover on the blade and carry the unit with the cutting head behind you. When carrying the brush cutter in a vehicle, secure it to prevent it from moving around. Always empty the fuel tank before transporting the unit. Start the brush cutter on a flat surface. When starting the unit, ensure you have a firm footing. Make sure the blade or the nylon string head does not touch the ground or any obstacle.



Fig.2-5

5. Do not operate the brush cutter near fire or spilled petrol. Do not run the engine in closed or poorly ventilated areas. **EXHAUST GASES ARE POISONOUS WHEN INHALED. THEY CAN CAUSE SUFFOCATION AND DEATH.** After refuelling, always wipe off any spilled fuel. Do not smoke during this operation. Start the engine far away from the refuelling area and from fuel containers (minimum distance 3 meters). Do not refuel while the engine is still running.

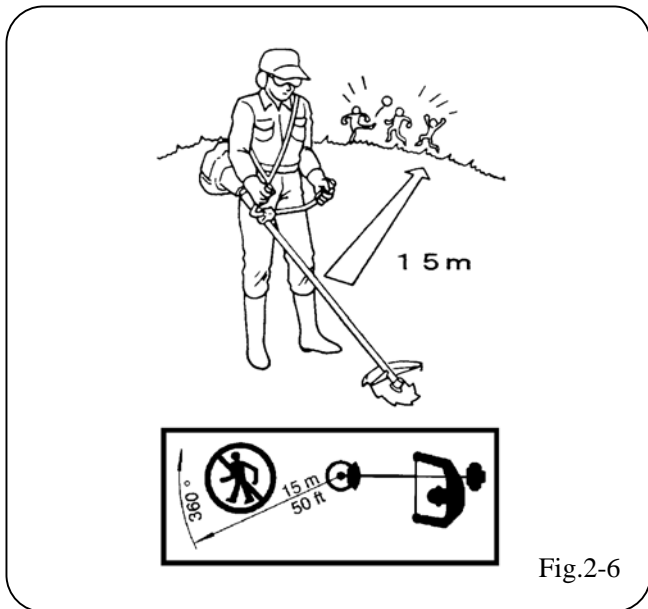


Fig.2-6

6. Keep people and animals away from working area (minimum distance 15 meters).

If somebody should approach you, turn the engine off and stop the blade (see section STARTING AND STOPPING THE ENGINE), as during operation the blade or the nylon string head might project grass, grit or other debris. The blade is sharp. Be careful even if handling it when the engine is off. Wear heavy-duty gloves. Turn the engine off and wait for rotating parts to stop completely before working on the machine or before touching the blade or the string head.

DO NOT USE THE BRUSH CUTTER AT ALL, IF THE SPECIFIED SAFETY GUARD IS NOT FIRMLY ATTACHED (see sections SAFETY USAGE and BLADES AND NYLON STRING HEAD ASSEMBLY).

Pay careful attention to any recommendations, as you might put your life or somebody else's in danger as a result of:

- a) possible contact with cutting or rotating parts,
- b) possibility of projection of various objects

WARNING: Do not start engine if it is not attached to the shaft, as the clutch might disintegrate.

[3] SAFETY USAGE

This product must be held to the right of the operator's body. This will exhaust fumes are directed away from the operator and will not be obstructed by the operator's clothing. If you have not used a brush cutter before, spend some time in becoming familiar with the controls and method of usage before operation. Check the machine carefully before using it. Make sure that there are no loosened screws, damaged parts or fuel leakages. Replace damaged or excessively worn accessories (blades, string heads, GUARDS).

Ensure all maintenance and repair work are carried out by an authorized service center. Check the condition of the antivibration components on a regular basis.

N.B. In order to maintain performance and safety, be sure to use original spare parts and accessories. Avoid using the brush cutter over excessively long periods of time.

Excessive amounts of vibration can be harmful.

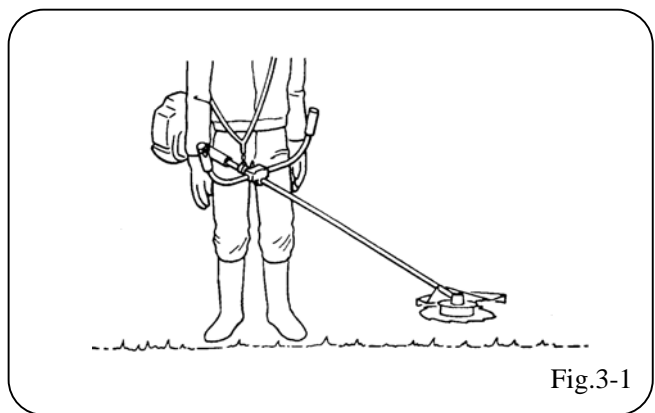


Fig.3-1

1. Remove from the work area grit debris ropes, metal parts or any other object which might get entangled along the rotating parts or be dangerously projected. Before starting to work, fir the harness correctly. Adjust harness with the buckle so that the brush cutter is well blanced on your right side and the blade or string head is parallel to the ground.

Ensure the pole barrier is correctly assembled (on units supplied with one).

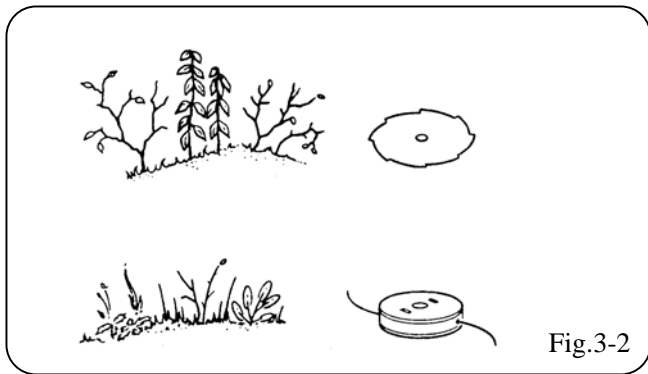


Fig.3-2

2. The following accessories can be assembled to your brush cutter. a) blade, b) nylon string head.

a) WHEN USING A BLADE, ENSURE THE CORRECT GUARD IS FITTED.

b) WHEN USING A NYLON STRING HEAD, ENSURE THE CORRECT GUARD IS FITTED.

When using the unit hold the front part of the machine (blade or nylon string head) below your waist.

NYLON STRING HEAD:

Always make sure it has been correctly assembled (see section ASSEMBLY and relevant chart).

The nylon string head is suitable to mow a lawn to trim grass and weeds on edges or wherever there might be obstacles like trees, fences or walls.

The nylon string head also reduces the likelihood of damaging small plants and trees bark.

BLADE:

Always make sure it has been correctly assembled (see section SAFETY and ASSEMBLY and relevant chart).

When fitting or changing a cutting device, ensure you follow the instructions in the section “fitting a blade or nylon string head” with extreme precision. Fit these cutting devices using all and only the parts described, and in the correct order.

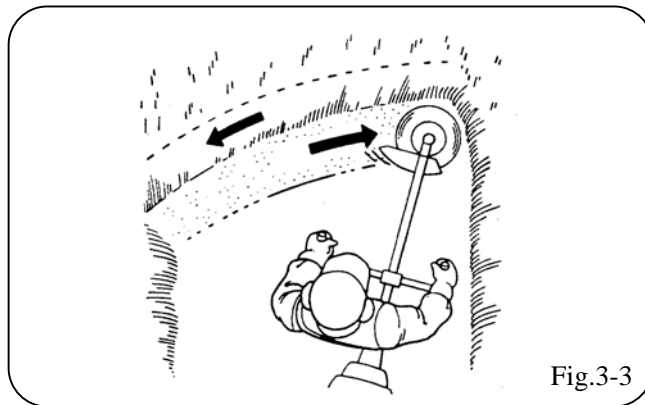


Fig.3-3

3. BLADES:

You can cut any type of grass, bushwood or shrub. Operate the machine like a sickle always cutting at full throttle.

N.B. This machine is designed so that the blade or nylon string head is mounted for rotation in the anticlockwise direction.

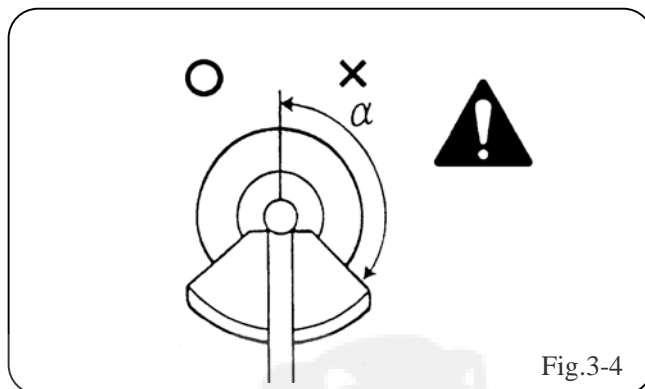
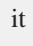


Fig.3-4

4. WARNING: Always use a well sharpened blade.

A blade with worn teeth besides providing poor performance, might also generate a sudden thrust. This can result in a violent sideways kick caused when the blade touches against solid bodies. Such thrust might then cause the operator to lose control of the machine itself. Do not attempt to use a damaged blade but replace it with a new one.

THRUST: Can occur when using any type of blade within the risk area ; therefore it is advisable to cut using the remaining area of the blade.

[4] FUEL AND OIL

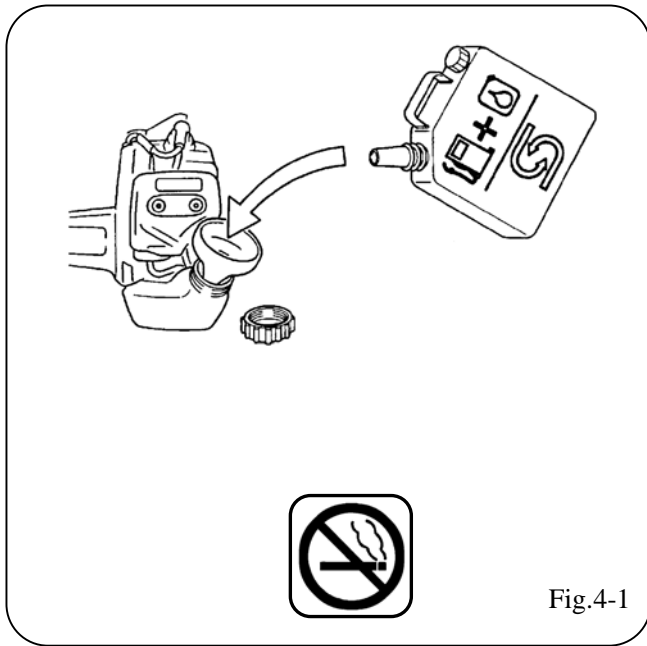




Fig.4-1

	50 : 1
	
	2 %
4 ltr	80 mL
5	100
10	200
20	400

1. 2-STROKE ENGINE

(KAWASAKI:TJ Series , MITSUBISHI:TLE Series)

This product is fitted with a 2-stroke engine and therefore requires a 2-stroke fuel and oil mix. Use a high quality 2-stroke engine oil using 2% (50:1) oil. In order to obtain a good fuel mix, put the oil into the container before the petrol.

Petrol

This engine can use leaded (4 star) or unleaded petrol with a minimum octane rating of 90. When using unleaded petrol mix it with 2% (50:1) of high quality synthetic oil specifically made for 2-stroke engines.

IMPORTANT: Always shake this fuel mix vigorously each time you use it.

Fuel mix properties deteriorate with time. We therefore, recommend that you only make the quantity of fuel mix you will need for each usage. Do not use fuel mix more than a week old, as this could damage the engine.

WARNING: Do not smoke when re-fuelling.

Always open the fuel cap slowly.

Re-fuel in open spaces only, keeping away from naked flames or sparks.

Always store fuel in an approved container.

Safety storage of fuel

Petrol is highly inflammable. Put out all cigarettes, pipes and cigars before working with petrol. Avoid spilling petrol. Store fuel in a cool well ventilated place, in an approved container specifically designed for the purpose. Never store engine with fuel in the tank in enclosed, poorly ventilated areas, where fuel fumes may reach an open flame, spark or pilot light such as in a furnace, water heater, clothes dryer, etc. Petrol fumes can cause an explosion or a fire. Do not store large amounts of fuel.

2. 4-STROKE ENGINE (HONDA: GX Series)

Petrol

This engine can use leaded (4 star) or unleaded petrol with a minimum octane rating of 90.

CAUTION: Be sure to stop the engine before checking the engine oil level. Do not restart the engine until you have finished checking the oil.

[5] SAFETY GUARD ASSEMBLY

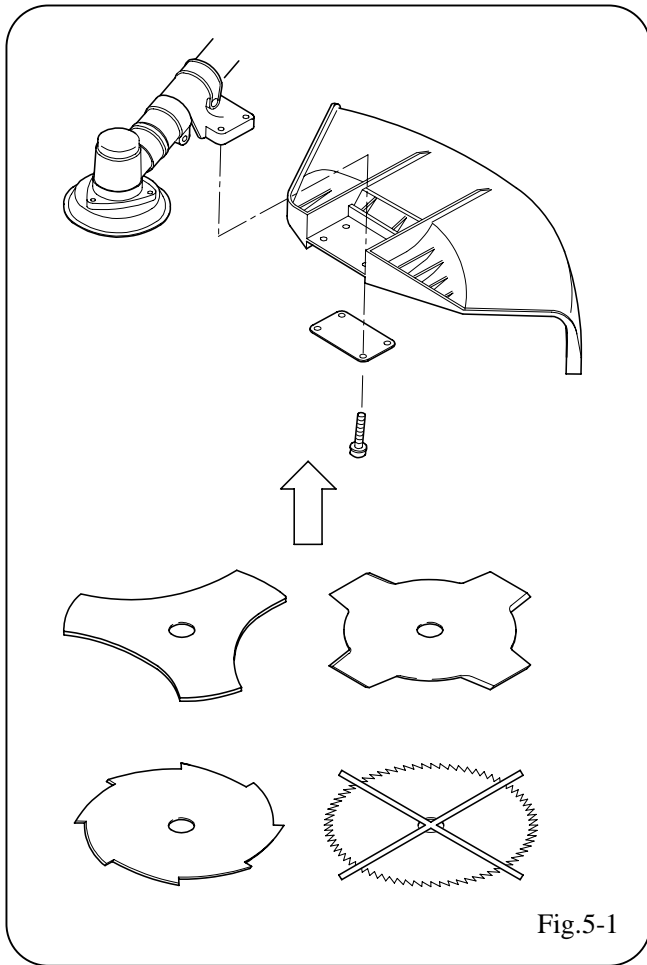


Fig.5-1

1. For safety reasons, it is imperative that the unit is used with the correct guard when fitted with a grass cutting blade. (Fig. 5-1)

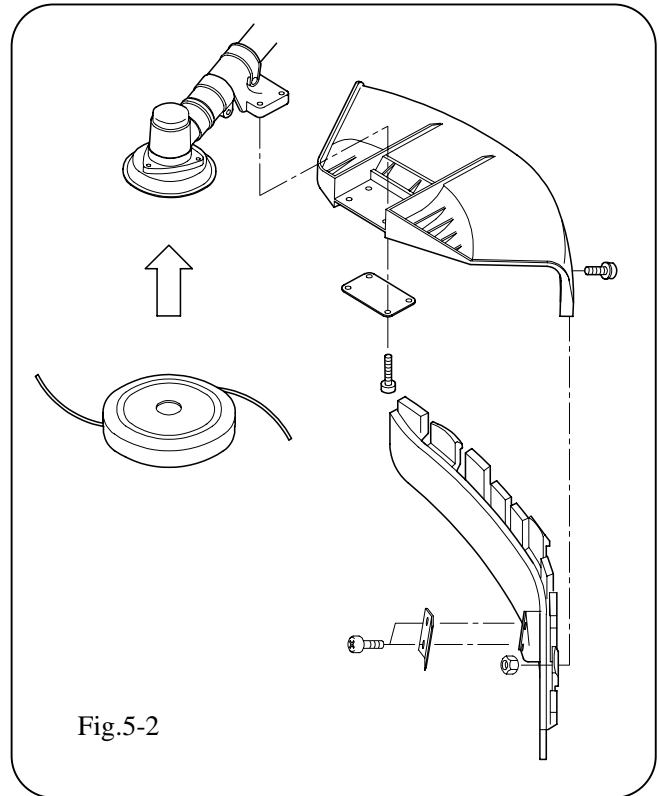


Fig.5-2

2. For a safety reasons, it is imperative that the unit is used with the correct guard when fitted with a nylon head. (Fig. 5-2)

Use only manufacturer's original blades.
Only use blades or nylon string heads clearly marked with a maximum R.P.M. speed of at least 10,000 R.P.M.
Follow the fitting instructions carefully

Our standard tightening torque of bolt, screw and nut is as follows:

Size	Torque (daN·m)
M4	1.6
M5	3.1
M6	5.1
M8	12.2
M10	24.5

Please be careful not to tighten them too tightly.

N.B. Bolt of grease-up port on gearcasing must be tightened at 3.6 daN·m torque.

[6] BLADE AND NYLON STRING HEAD ASSEMBLY

Assemble the correct guard to suit the kind of blade or nylon string head to be used (See section: SAFETY GUARD ASSEMBLY).

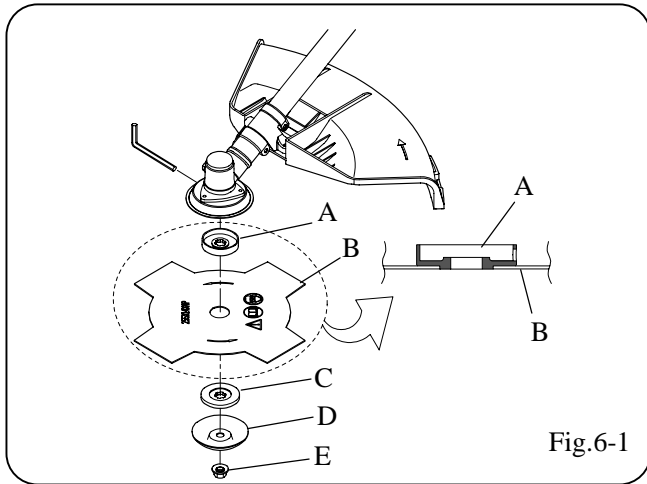


Fig. 6-1

1. Assemble the blade as illustrated.
 - a) Holder cutter (A) with blade (B) centering
 - b) Blade (B) with text and directional arrow facing upwards
 - c) Cap cutter (C)
 - d) Stabilizer (D)
 - e) Blade locking nut (E) (Fig. 6-2)

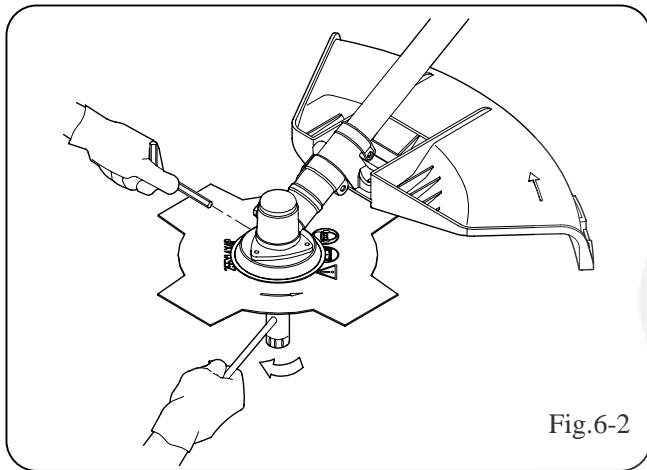


Fig. 6-2

2. Make sure that the blade core opening fits perfectly along the centering collar on the holder cutter. Tighten anticlockwise. While tightening, the blade assembly can be held fast by inserting the wrench or the screwdriver supplied into the holder cutter and gearcase holes. To do this, rotate the cap until the two holes coincide.

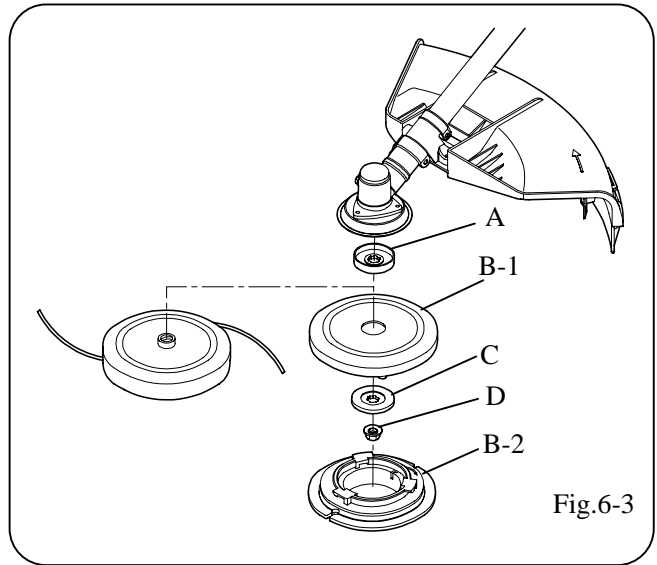


Fig. 6-3

3. Assemble nylon string head as illustrated.

Model: NV

- a) Loosen the nylon string head NV, and leave Disc (B-1) only.
- b) Match the Disc with the center of the holder cutter positionally.
- c) Cap cutter
In the case of Model NV, the cap cutter (C) is a dedicated part.
- d) Blade locking nut (D) (Fig. 6-2)
- e) Set the code cassette (B-2) on the Disc (B-1). For the handling method, refer to the manual for the nylon string head Model NV.

Model: Spool cutter

Mount the nylon string head after the cap cutter in succession. (Fig. 6-4)

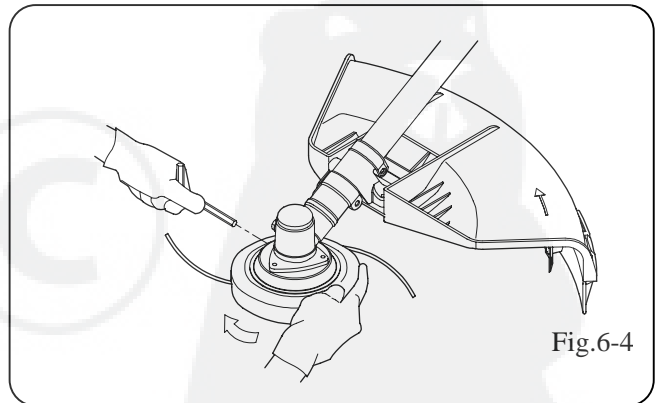


Fig. 6-4

4. While tightening, the head assembly can be held fast by inserting the wrench or the screwdriver supplied into the holes as already shown for the blade assembly.

[7] ENGINE/ CLUTCH CASE ASSEMBLY

⚠ DANGER

Do not run the engine without clutch case attached, as the clutch could fly off.

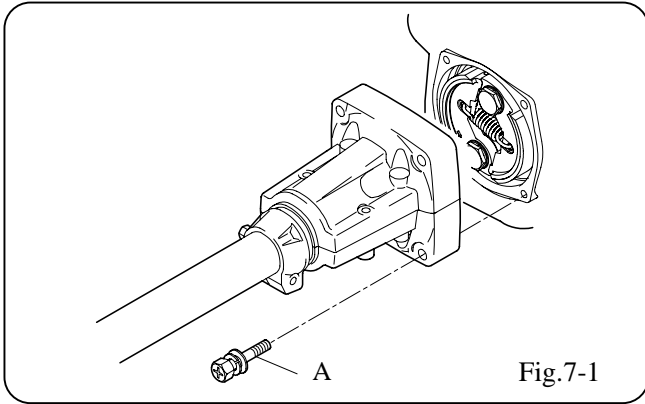


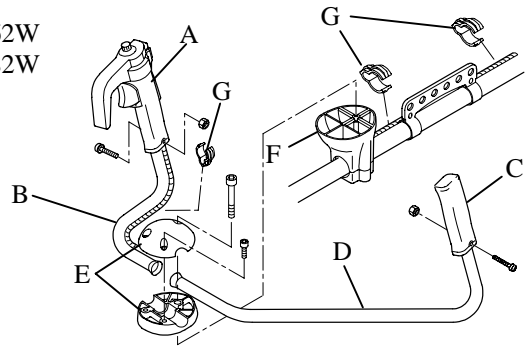
Fig.7-1

1. Assemble the engine onto the clutch case. Make sure the shaft is fully and correctly up to the shank, then tighten the four screws A. (Fig. 7-1)

[8] HANDLE GRIP/HANDLE/THROTTLE WIRE ASSEMBLY

Mounting of handle grip

V262W
V282W



V242W

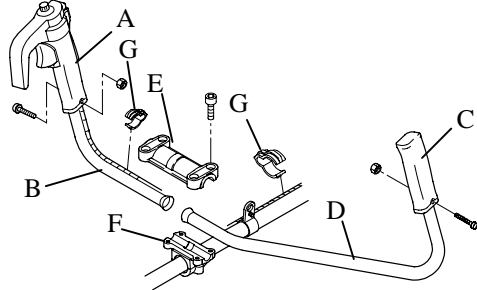


Fig.8-1

1. Double handle

Mount the control handle (A) on the handle (B) and the grip (C) on the handle (D). Engage individual handles with the grooves in the handle holder (F), hold them with the handle holder (E), and fix them with bolts. Fix the wire/cord Assy to the handle with a band (G). (Fig. 8-1)

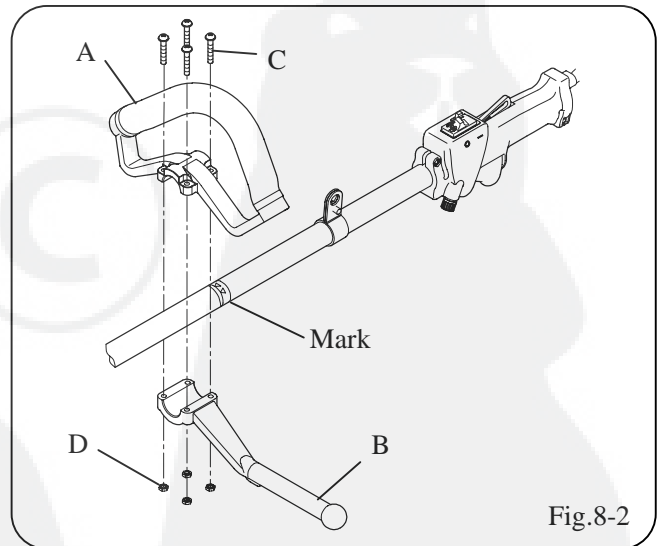


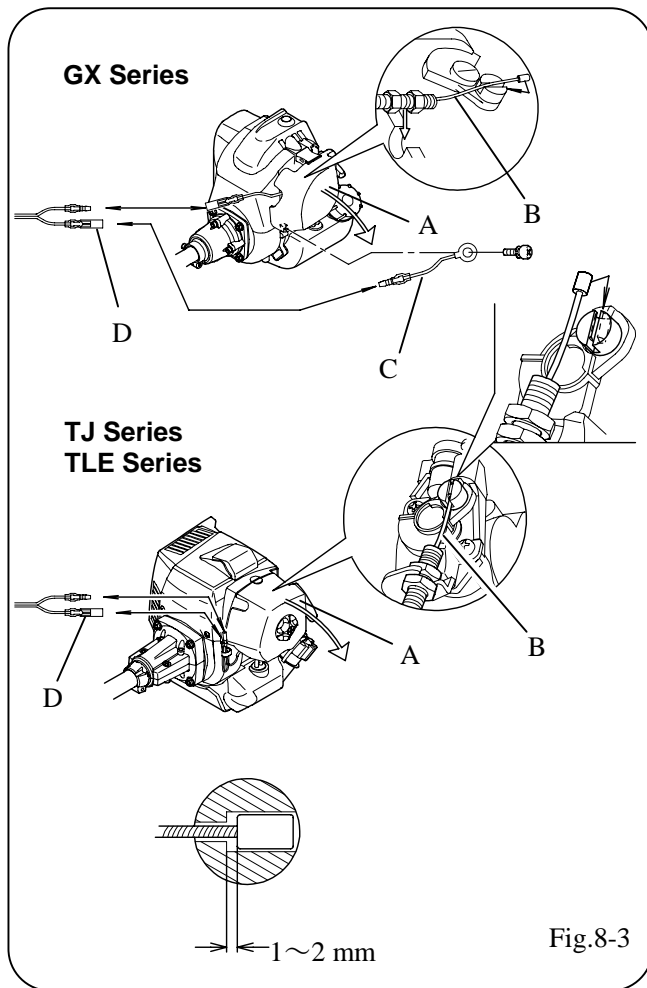
Fig.8-2

2. Loop handle

The loop handle consists of the loop handle body (A), the handle holder (B), setting bolts M5×30 (C) and nuts M5 (D).

Set the loop handle body at the marked position on the drive shaft housing, then attach and tighten the handle holder (B) with the bolts (C) and nuts (D).

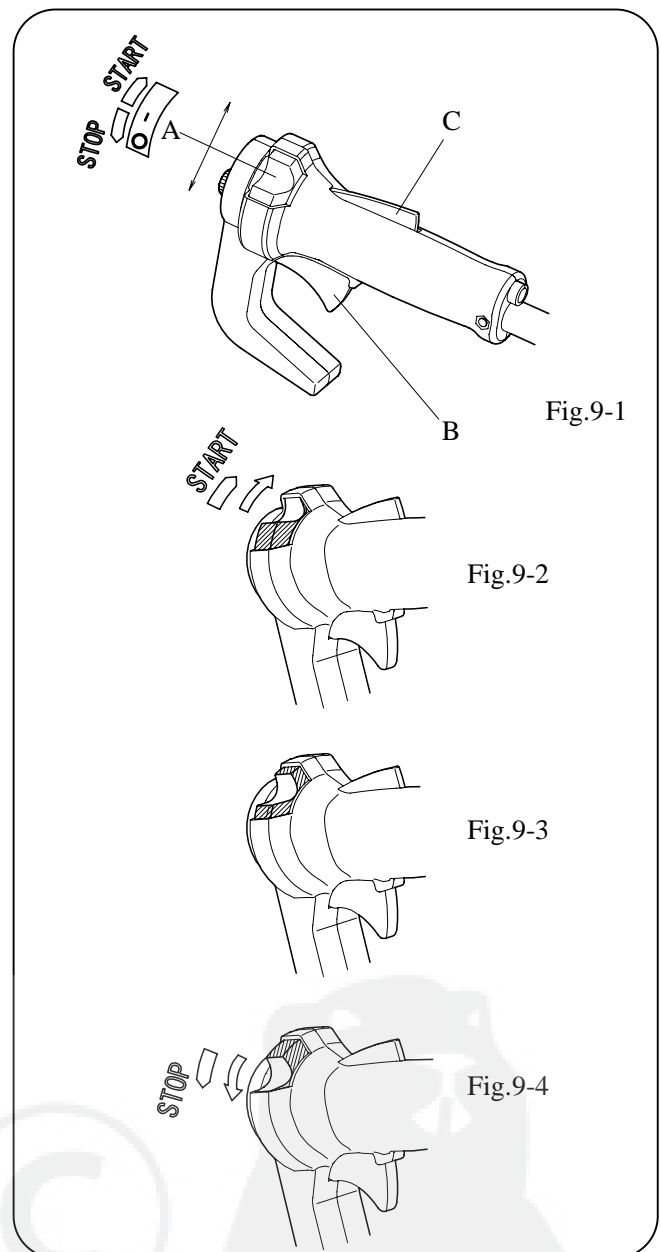
Connection of throttle wire



Remove the air cleaner cover (A).
 Attach the throttle wire (B). The normal play is 1 or 2 mm when measured at the throttle wire end.
 Attach the engine cord (C) to the engine (GX Series only).
 Attach the cord from the control handle (D) to the engine cord.
 Install the air cleaner (A).

[9] STARTING AND STOPPING THE ENGINE

MODEL: V242W V262W V282W



STARTING THE ENGINE

• ENGINE MODEL: GX Series , TLE Series

First, press the safety lever (C), and fully hold the lever (B). Release your hand from the lever (B) in state with the knob (A) pushed in the "→START" direction (Fig. 9-2). Then, the throttle is fixed in the middle speed position to facilitate easy start of the engine.

Start the engine in accordance with the engine operation manual. After start of the engine hold the lever (B) again, and leave your hand from it. Throttle advance is cancelled, and the engine is put in the idling state. At that time, the knob (A) moves to the position shown in Fig. 9-3.

• ENGINE MODEL: TJ Series

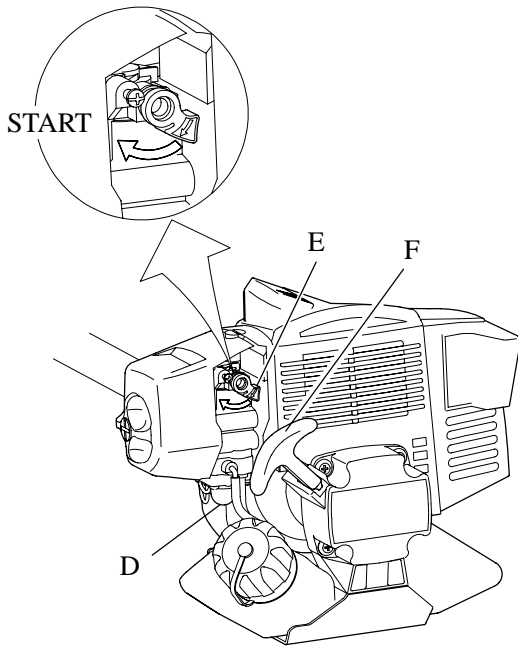


Fig.9-5

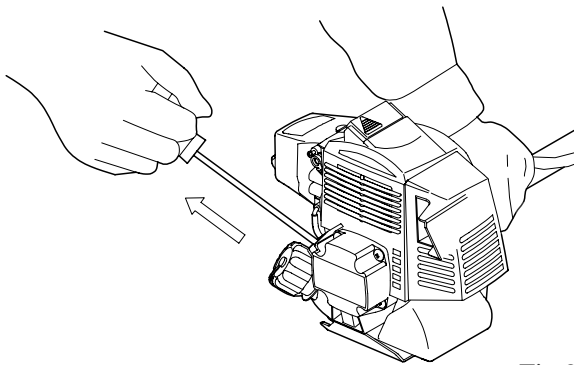


Fig.9-6

Push knob (A) in the “→START” direction (Fig. 9-2).
Push the priming pump (D) several times (Fig. 9-5).
Move the choke lever (E) to the “START” position (Fig. 9-5).
Pull the recoil starter grip (F) firmly and rapidly until the engine fires (Fig. 9-6).

NOTE: If you pull lever (B), the choke lever (E) will return by itself.

NOTE: Please refer to the Engine Operation Manual.

STOPPING THE ENGINE

To stop the engine, push the knob (A) in the “→STOP” direction (Fig. 9-4).

WARNING: When the engine is switched off, the rotating part, blade or nylon string head, will keep on rotating for a few seconds. Hold the machine until all parts come to a standstill.

N.B. In an emergency the above mentioned delay in stopping may be shortened by touching the blade parallel to the grounds.

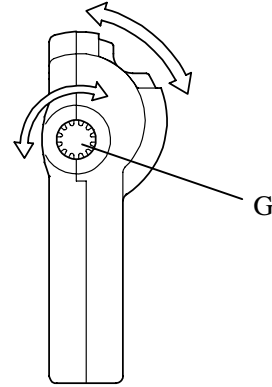


Fig.9-7

The knob (G) on the control lever is a throttle positioner.(Fig. 9-7)

Turn the knob clockwise, and the engine rotational speed changes toward the lower speed side when the lever (B) is operated. The speed can be set to the higher side when the knob is turned anticlockwise. Select the knob position in conformance with the working condition.

N.B. If the knob is fastened excessively (clockwise), it becomes impracticable to lock the knob (A) in the “→START” position.

MODEL: V242L V262L

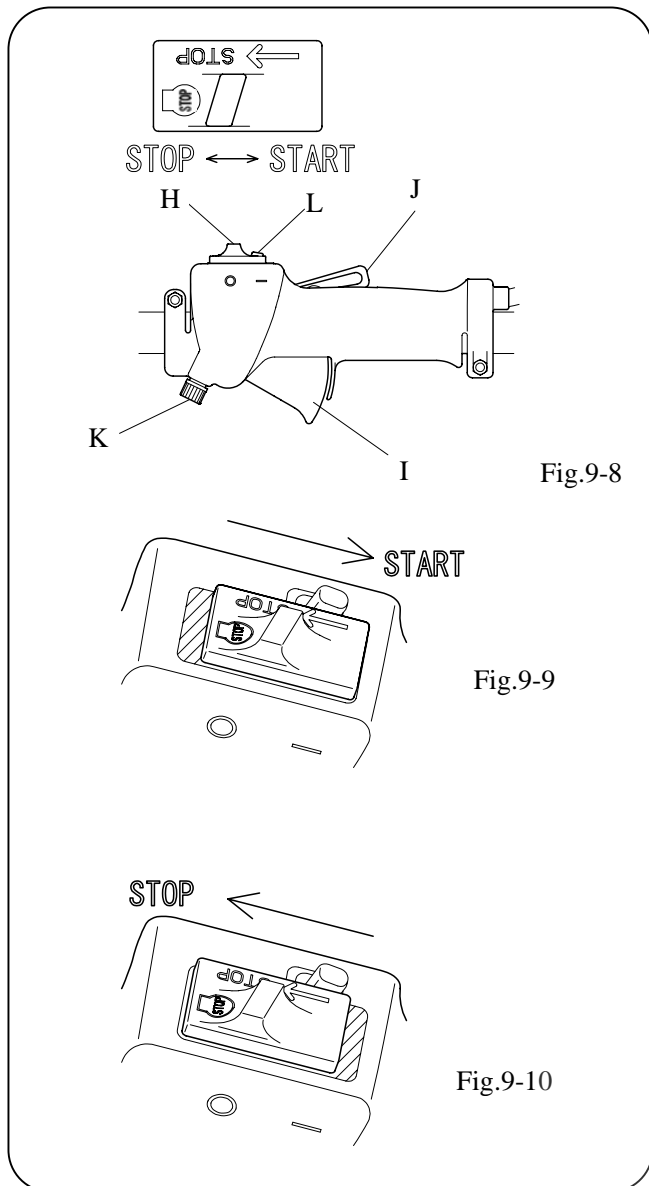


Fig.9-8

Fig.9-9

Fig.9-10

STARTING THE ENGINE

• ENGINE MODEL: GX Series , TLE Series

Press lever (J) and hold lever (I). Release levers (J) and (I) while keeping knob (L) pressed. The throttle lever (I) is now in its partial acceleration position, in order to let the engine start more quickly and easily. Push knob (H) in the “→START” direction (Fig. 9-9).

Start the engine according to its operation and maintenance manual.

After starting the engine, pull throttle lever (I) once again and release it right away in order to unlock it from the partial acceleration position and to let the engine idle when lever (I) is released.

• ENGINE MODEL: TJ Series

Push knob (H) in the “→START” direction (Fig. 9-9).

Push the priming pump (D:Fig. 9-5) several times.

Move the choke lever (E:Fig. 9-5) to the “START” position.

Pull the recoil starter grip (F:Fig. 9-5) firmly and rapidly until the engine fires (Fig. 9-6).

NOTE: If you pull lever (I), the choke lever (E:Fig. 9-5) will return by itself.

NOTE: Please refer to the Engine Operation Manual.

STOPPING THE ENGINE

In order to stop the engine, press button (H) into its “STOP” position (Fig. 9-10).

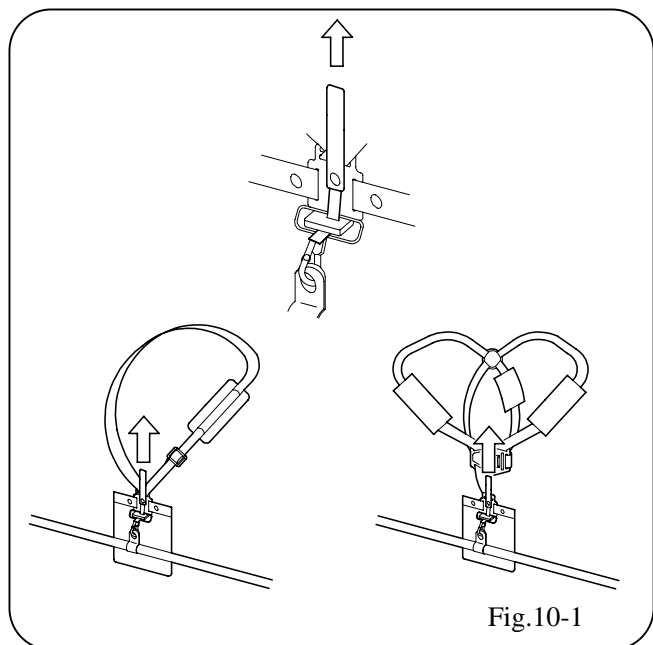
WARNING: When the engine is switched off, the rotating part, blade or nylon string head, will keep on rotating for a few seconds. Hold the machine until all parts come to a standstill.

NOTE: In the event of an emergency, the time required for the disc or the string cutter head to stop can be reduced by resting the cutting tool level onto the ground. The ring nut (K) located on the control handle is for adjusting the engine. By turning ring nut (K) clockwise, the engine rpm is reduced during the subsequent use of throttle lever (I).

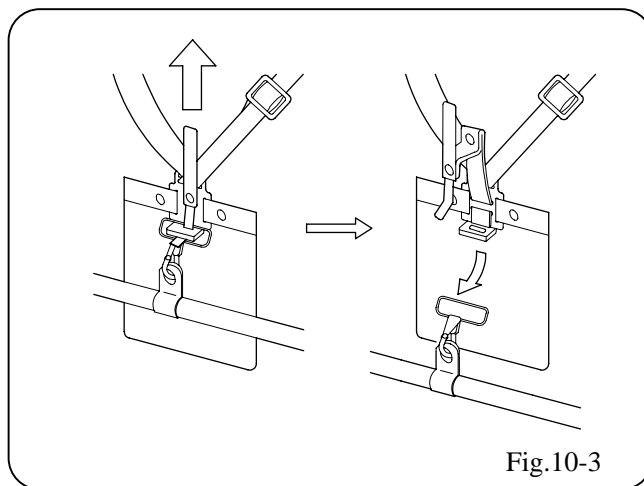
Conversely, turning ring nut (K) counterclockwise raises the engine rpm.

Therefore, adjust ring nut (K) according to the operating conditions.

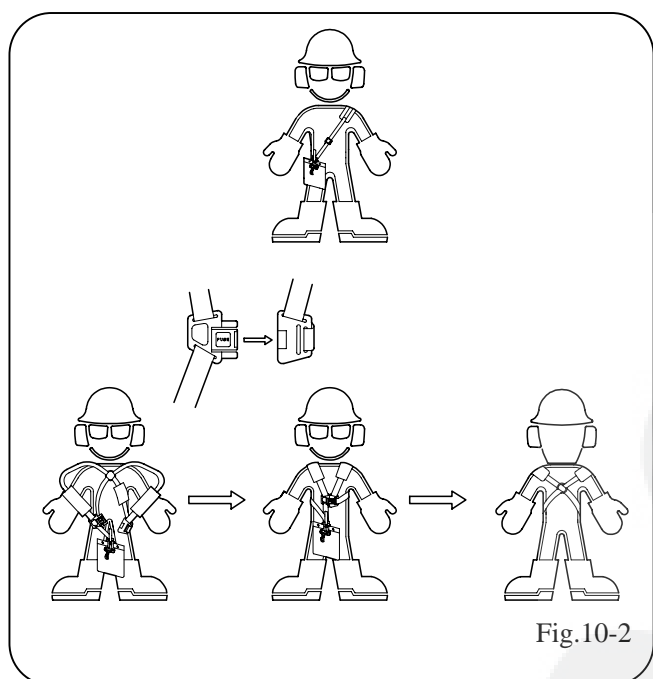
[10] HARNESS HANDLING METHOD



In normal use of the reaper, set the harness side hook on the hanger strap stem securely before starting the work. This applies to both single and double harness. (Fig. 10-1)



In the case of an emergency pull up the belt (red), and the total machine can be separated from the harness. Be careful not to operate the belt carelessly except for a case of emergency. (Fig. 10-3)



For the harness fitting method, see Fig. 10-2.

[11] REGULAR MAINTENANCE

From time to time make sure all brush cutter screws are firmly secured. Replace damaged, worn, cracked or warped blades. Always make sure nylon string head and blade have been assembled correctly (see section BLADE AND NYLON STRING HEAD ASSEMBLY) and blade fastener is tightened.

1. AIR FILTER

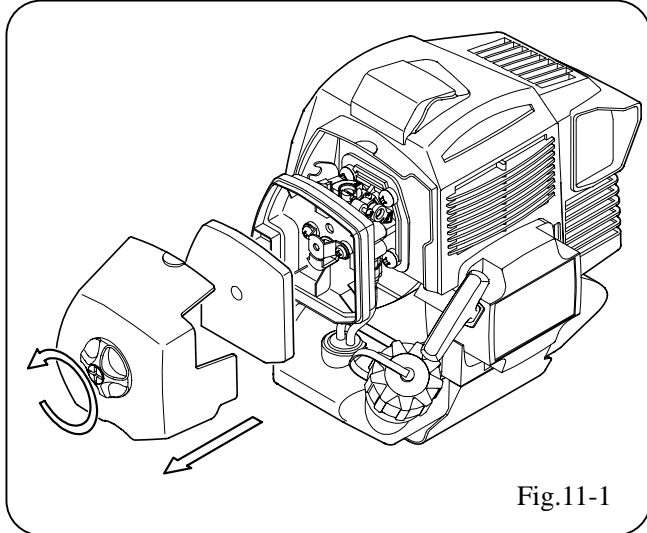


Fig.11-1

AIR FILTER CLEANING (at least every 25 working hours). A dust clogged air filter may cause carburetor problems. This may prevent the engine from reaching its maximum r.p.m. and cause high fuel consumption and/or difficult starting. Remove filter cover. Carefully clean the inside of filter box. The filter can also be cleaned with compressed air.

2. GEARCASE

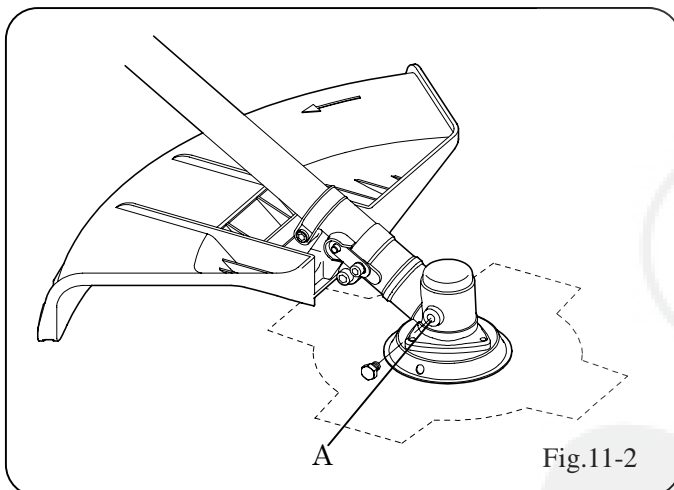


Fig.11-2

Every 50 working hours inject the gearcase with gear grease under high pressure through hole A.

3. SPARK PLUG

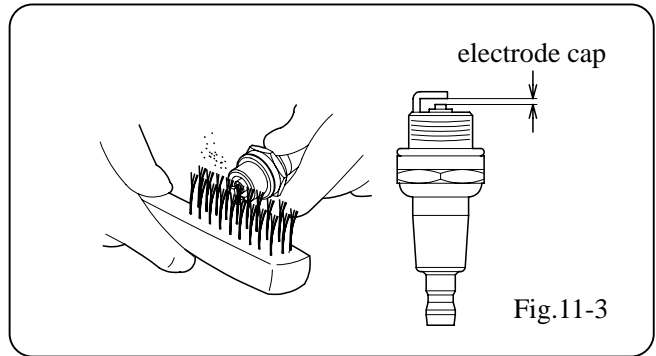


Fig.11-3

From time to time (at least every 50 hours) remove and clean the spark plug and check the electrode cap. Replace spark plug about every 100 working hours or whenever it is extremely encrusted.

Heavily encrusted electrodes can result from an incorrect carburetor setting or from wrong fuel mixture (too much oil in the petrol) or a poor quality oil in the fuel mix. Check and correct.

Please refer to the Engine Operation Manual for information about changing the spark plug and the electrode cap.

[12] FAULT FINDING TABLE

	Engine will not start.	Engine will not Start of run badly.	The brush cutter does not cut well.	Engine runs fast but loses power when cutting.
Check STOP switch is in the position I.	●	●		
Control fuel level min. 25% tank capacity.	●	●		
Check air filter is clean.		●		
Remove spark plug, dry it, clean it and adjust it, and replace it, if necessary.	●	●		
Control and adjust the carburetor screws if necessary.		●	●	●
Change fuel filter. Contact your dealer.				●
Carefully follow the blade assembly instructions.			●	
Check blade is sharp. Otherwise, contact you dealer.			●	