

C3410/SF450

Serial number: 37000001-37100550

Last update date: 01/28/2020

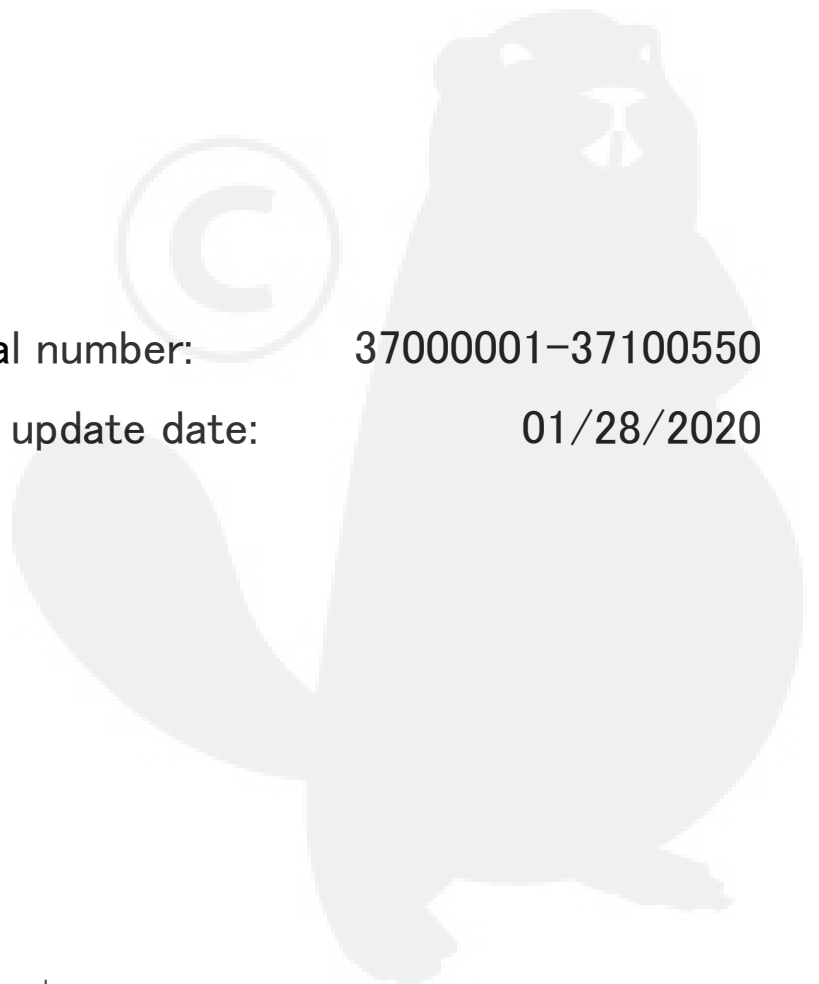
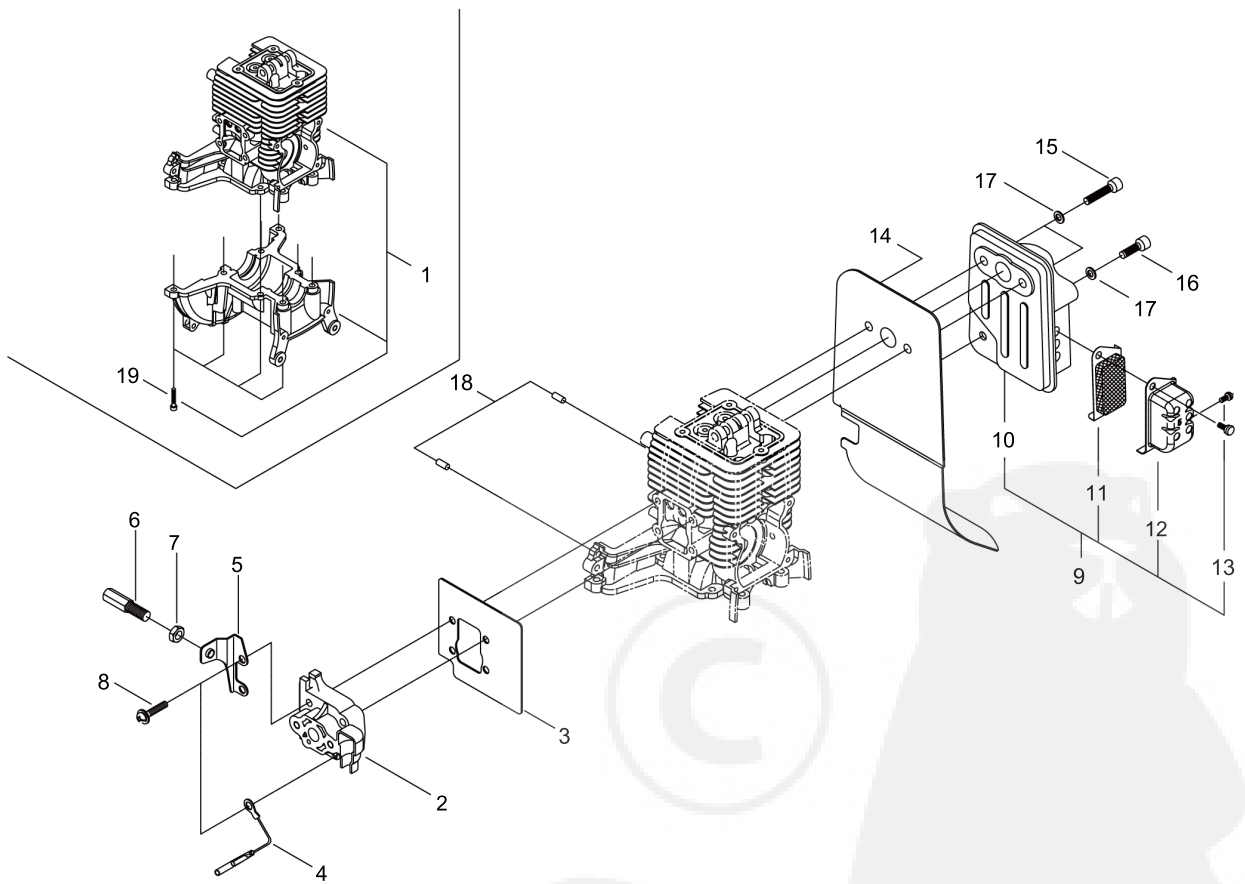


TABLE OF CONTENTS

CYLINDER, MUFFLER, CRANK CASE.....	1
FAN CASE	3
PISTON, CRANKSHAFT	5
MAGNETO.....	7
RECOIL STARTER.....	9
AIR CLEANER.....	11
FUEL TANK.....	13
MAIN PIPE.....	15
GEAR CASE.....	17
HANDLE.....	19
BLADE COVER.....	21
ACCESSORIES	23
CARBURETOR.....	25
NYLON LINE CUTTER.....	27



CYLINDER, MUFFLER, CRANK CASE

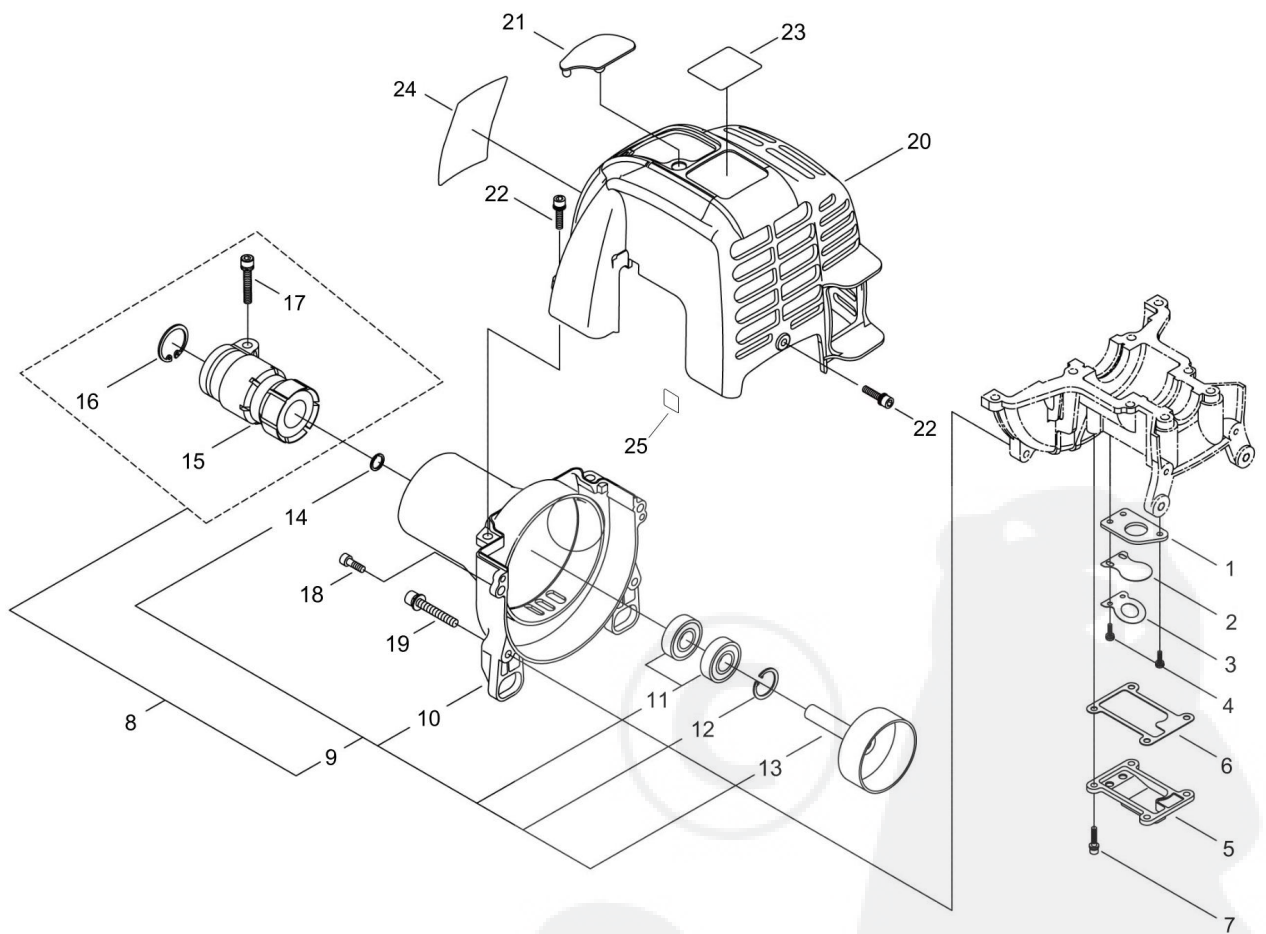


CYLINDER, MUFFLER, CRANK CASE

Key No.	LV (+)	Part No	Description	Qty	Standard
1		P021-027540	CYLINDER BLOCK SET	1	
19	+	900105-05016	BOLT, H.S. 5*16	8	5*16
2		A024-000020	LEAD VALVE	1	
3		V103-000980	GASKET	1	
4		V485-001260	LEAD WIRE	1	L110
5		V152-002250	BRACKET THROTTLE	1	
6		C486-000030	CABLE ADJUSTER	1	
7		92018-06000	NUT	1	
8		91582-05025	SCREW,PM-SPW	4	
9		A030-000342	MUFFLER ASY	1	
10	+	A300-001251	MUFFLER, EXHAUST	1	
11	+	A310-000390	SCREEN, ARRESTOR	1	
12	+	A313-001391	GUIDE, EXHAUST	1	
13	+	91572-04006	SCREW,PM-SW	2	
14		V104-001431	GASKET,EXHAUST	1	
15		V203-001000	BOLT	2	
16		900105-05016	BOLT, H.S. 5*16	1	5*16
17		900600-00005	WASHER 5	3	5
18		900330-40080	PIN F 4*8	2	4*8



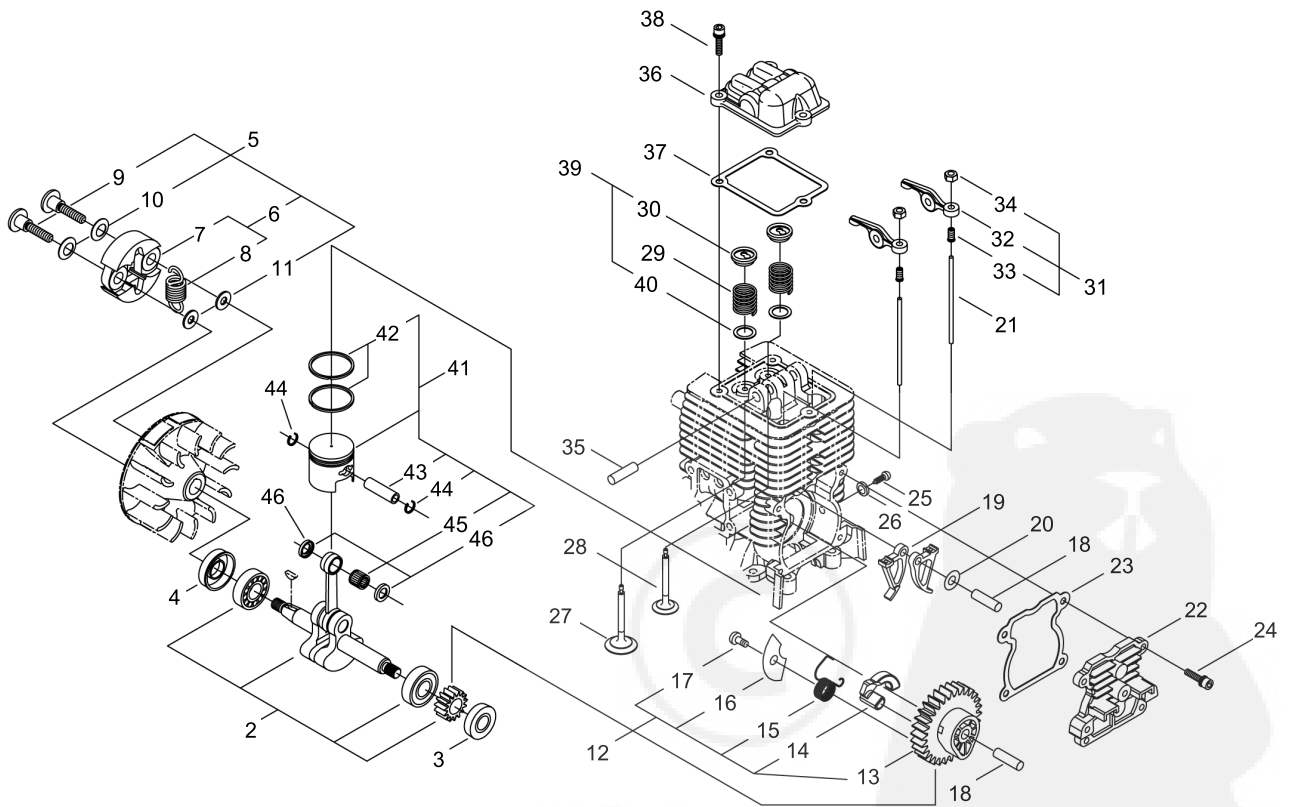
FAN CASE



FAN CASE

Key No.	LV (+)	Part No	Description	Qty	Standard
1		A200-000750	INSULATOR	1	
2		A211-000030	VALVE, REED	1	
3		A212-000040	STOPPER	1	
4		91341-03010	SCREW-SW	3	M3*10
5		A123-000000	COVER	1	
6		V109-000100	GASKET	1	
7		V202-000350	BOLT-SPW	4	M4-14
8		P021-027551	FAN COVER ASSY	1	
9	+	P021-028491	FAN COVER COMP	1	
10	++	A172-002030	COVER, FAN	1	
11	++	94002-36001	BEARING, BALL	2	
12	++	92424-28000	SNAP RING	1	
13	++	A556-001360	DRUM, CLUTCH	1	
14	++	900706-00012	CIRCLIP 12	1	WR-12
15	+	A575-000370	JOINT	1	
16	+	92424-42000	SNAP RING	1	42MM C-RING
17	+	V203-000620	BOLT-SW	1	
18		900105-05016	BOLT, H.S. 5*16	2	5*16
19		V203-000530	BOLT SW	2	
20		A160-001632	COVER, CYLINDER	1	
21		A429-000130	GROMMET	1	
22		V202-000350	BOLT-SPW	3	M4-14
23		X543-004100	LABEL, MODEL	1	PROFESSIONAL
24		X504-006761	LABEL, BRAND	1	
25		X524-001901	LABEL	1	

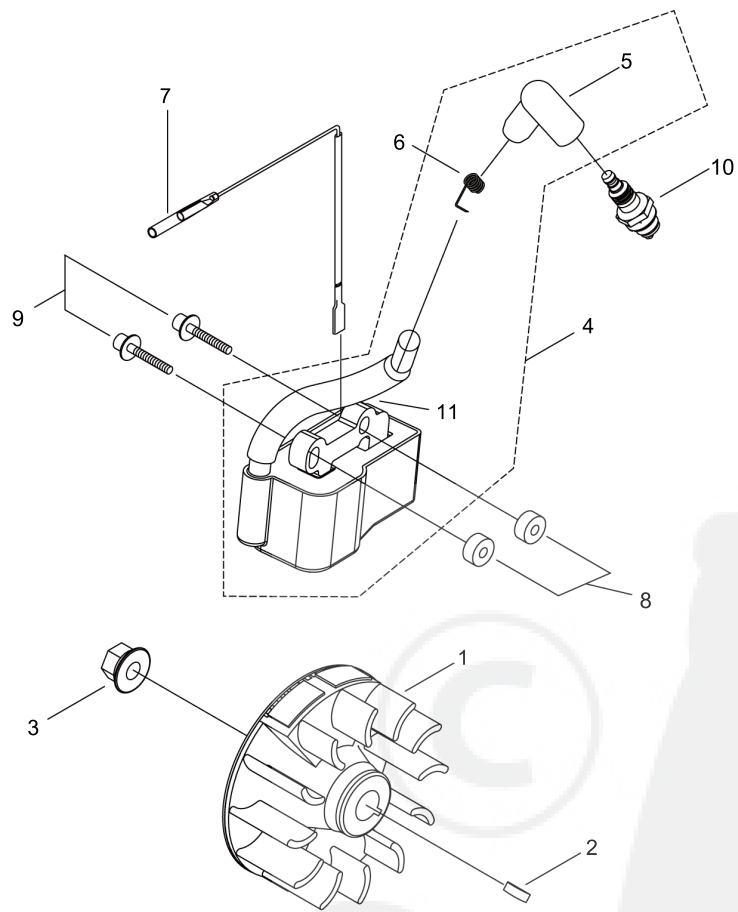
PISTON, CRANKSHAFT



PISTON, CRANKSHAFT

Key No.	LV (+)	Part No	Description	Qty	Standard
2		A011-000651	CRANKSHAFT,ASY	1	
3		V505-000020	SEAL,OIL 12	1	12*22*7
4		V505-000060	OIL SEAL	1	
5		A056-000410	CLUTCH SHOE ASSY	1	
6	+	A056-000420	CLUTCH SHOE SUB ASSY	1	
7	++	A553-000120	CLUTCH SHOE	2	
8	++	A566-000110	SPRING	1	
9	+	A557-000080	BOLT	2	
10	+	V346-000040	SPRING PLATE	2	
11	+	V304-000150	WASHER	2	
12		A063-000000	CAM GEAR ASSY	1	
13	+	A622-000000	CAM GEAR	1	
14	+	A146-000000	WEIGHT	1	
15	+	V452-000610	COIL SPRING	1	
16	+	C603-000240	PLATE	1	
17	+	91449-04006	SCREW,TAPPING	1	
18		V623-000030	ROLLER	2	5*L29.8
19		A600-000001	LIFTER	2	
20		V303-000220	WASHER	1	T0.3
21		A607-000001	ROD,PUSH	2	
22		A136-000000	CAM GEAR COVER	1	
23		V109-000040	GASKET	1	
24		V202-000350	BOLT-SPW	4	M4-14
25		V253-000540	SCREW	1	
26		V303-000120	COLLAR	1	5.5,10 T=2
27		A603-000000	INTAKE VALVE	1	
28		A603-000010	EXHAUST VALVE	1	
29		A604-000010	VALVE SPRING	2	
31		A610-000050	ROCKER ARM ASSY	2	
32	+	A610-000060	ROCKER ARM	2	
33	+	A613-000010	ADJUST SCREW	2	
34	+	V263-000230	NUT	2	
35		V623-000010	ROLLER	1	5*L37.8
36		A137-000000	ROCKER ARM COVER	1	
37		V109-000050	GASKET	1	
38		V202-000350	BOLT-SPW	3	M4-14
39		P021-027590	RETAINER SET	1	
30	+	A606-000040	RETAINER	2	
40	+	V392-000030	PLATE	2	
41		P021-033972	PISTON SET	1	
42	+	A101-000240	PISTON RING	2	
43	+	V608-000060	PISTON PIN	1	
44	+	V580-000110	SNAP RING	2	
45	+	V555-000080	NEEDLE BEARING	1	
46	+	V307-000200	THRUST WASHER	2	

MAGNETO

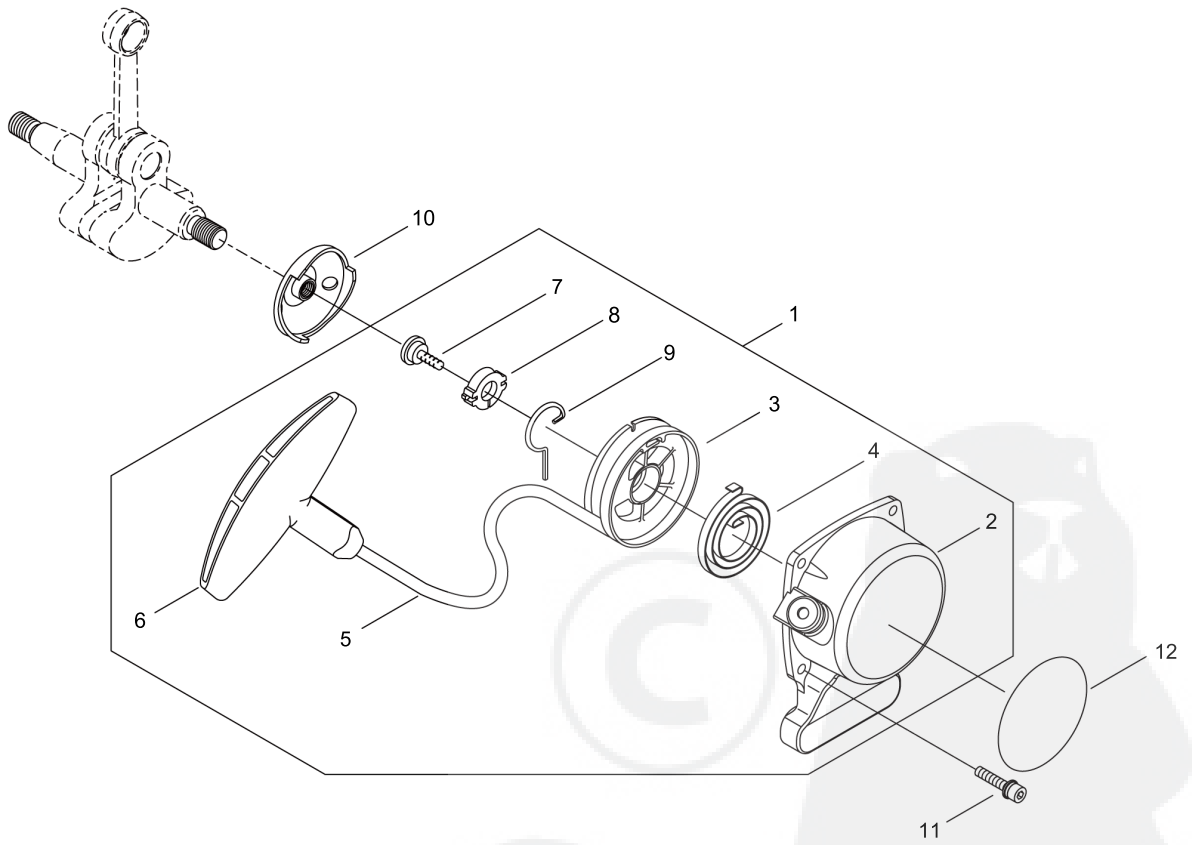


MAGNETO

Key No.	LV (+)	Part No	Description	Qty	Standard
1		A409-000630	ROTOR	1	
2		93115-03010	KEY	1	3*10
3		V265-000140	NUT	1	
4		A411-000770	COIL ASSY	1	
5	+	A427-000110	PLUG CAP	1	
6	+	A426-000070	COIL SPRING	1	
11	+	V475-005160	TUBE	1	
7		V485-001630	LEAD WIRE	1	L=220
8		V322-000040	INSULATOR	2	
9		V202-000360	BOLT-SLPW	2	M4*26
10		A425-000040	SPARKPLUG	1	NGK CMR5H

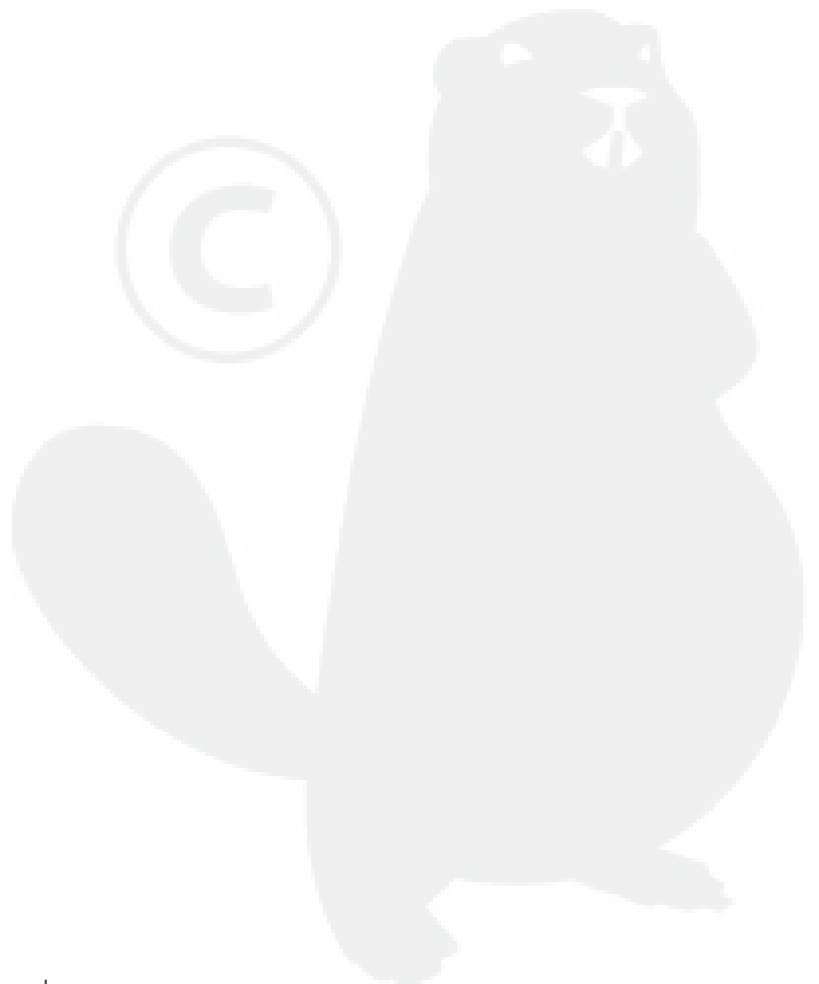


RECOIL STARTER

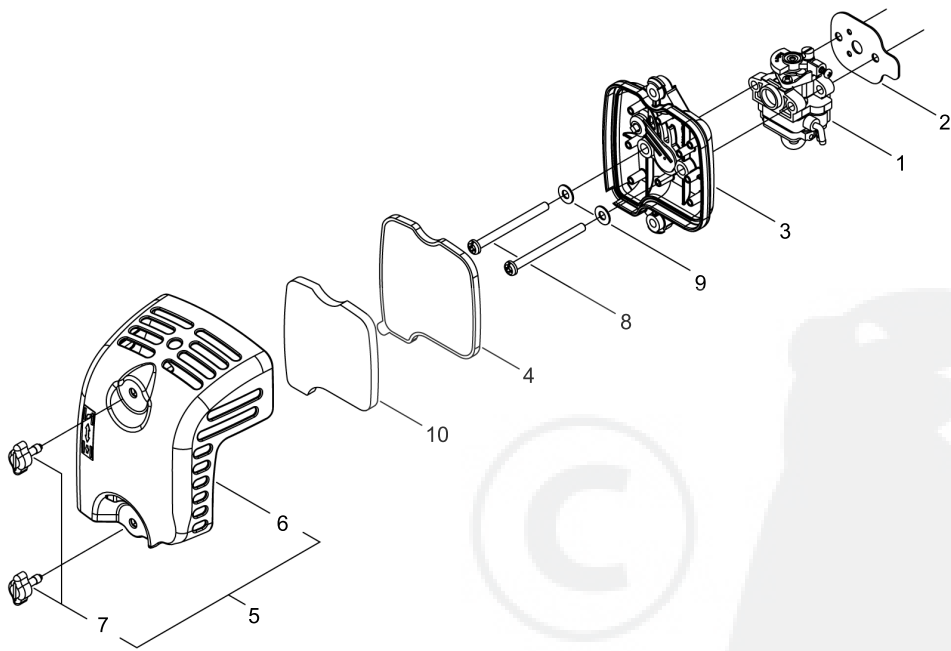


RECOIL STARTER

Key No.	LV (+)	Part No	Description	Qty	Standard
1		A051-001500	RECOIL STARTER ASSY	1	
2	+	A500-000630	STARTER CASE	1	
3	+	A506-000140	REEL	1	
4	+	A504-000100	RECOIL SPRING	1	
5	+	A509-000070	ROPE	1	
6	+	A511-000100	KNOB	1	
7	+	V253-000310	SCREW	1	
8	+	V353-000310	COLLAR	1	
9	+	C810-000120	SWING ARM	1	
10		A052-000300	STARTER PULLEY	1	
11		V202-000350	BOLT-SPW	4	M4-14
12		X504-006750	LABEL, BRAND	1	



AIR CLEANER

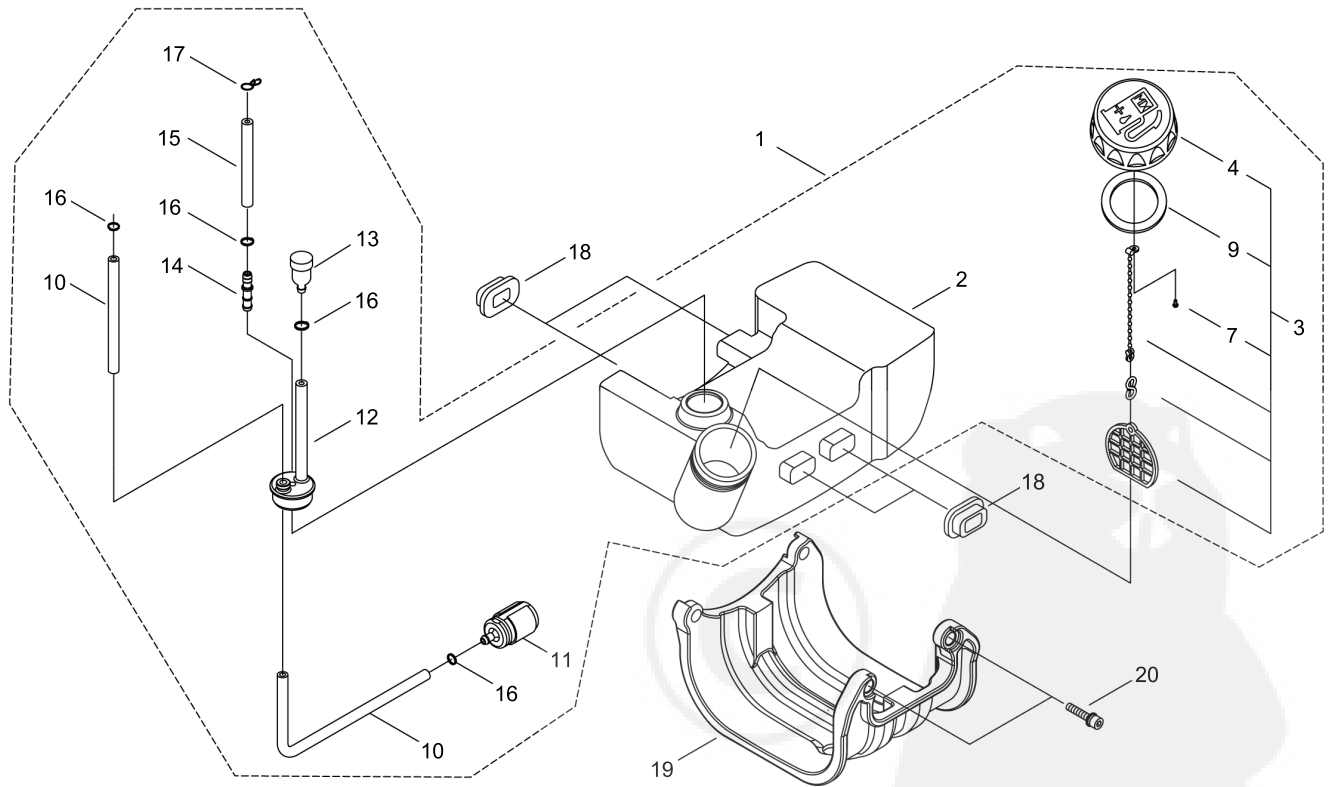


AIR CLEANER

Key No.	LV (+)	Part No	Description	Qty	Standard
1		A021-002480	CABURETOR ASSY	1	
2		V103-000570	GASKET	1	
3		A023-000300	CASE,CLEANER	1	
4		A226-000690	FILTER	1	
5		P021-028562	CLEANER COVER ASSY	1	
6	+	A232-000912	LID,CLEANER	1	ID_1760
7	+	V299-000570	KNOB	2	
8		91581-05060	SCREW,PM	2	
9		900603-00005	WASHER 5	2	5.5*12*0.8
10		A226-000700	PREFILTER	1	



FUEL TANK

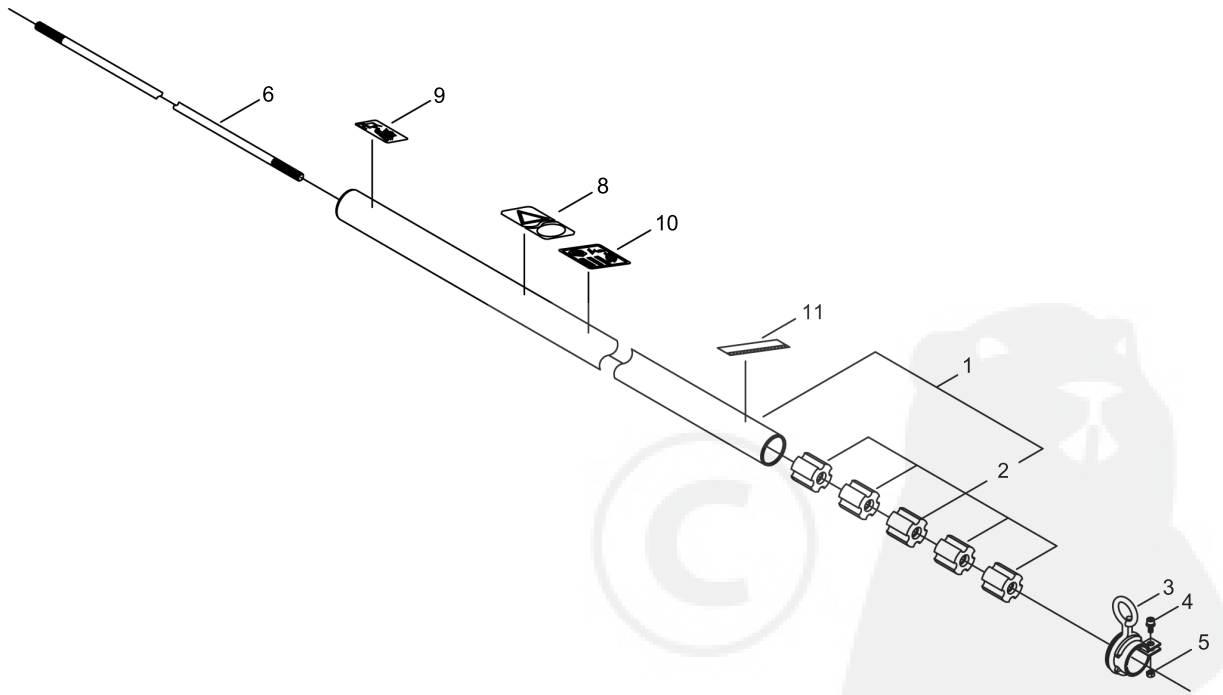


FUEL TANK

Key No.	LV (+)	Part No	Description	Qty	Standard
1		P021-028511	FUEL TANK ASSY	1	
2	+	A350-001340	FUEL TANK	1	
3	+	A033-000330	CAP,FUEL	1	
4	++	A355-000180	FUEL CAP	1	
7	++	91483-02506	SCREW TAPPING	1	
9	++	V107-000010	GASKET	1	
10	+	V471-002570	FUEL PIPE	1	
11	+	A369-000070	FUEL FILTER	1	
12	+	V470-000880	GROMMET	1	
13	+	A356-000050	VALVE,CHECK	1	
14	+	V186-000210	JOINT	1	
15	+	V471-002520	PIPE	1	
16	+	V490-000500	CLIP	4	
17	+	V490-000510	CLIP	1	
18		V420-002220	TANK CUSHION	4	
19		A175-000220	TANK GUARD	1	
20		V203-000351	BOLT,5	2	M5X20 WSW

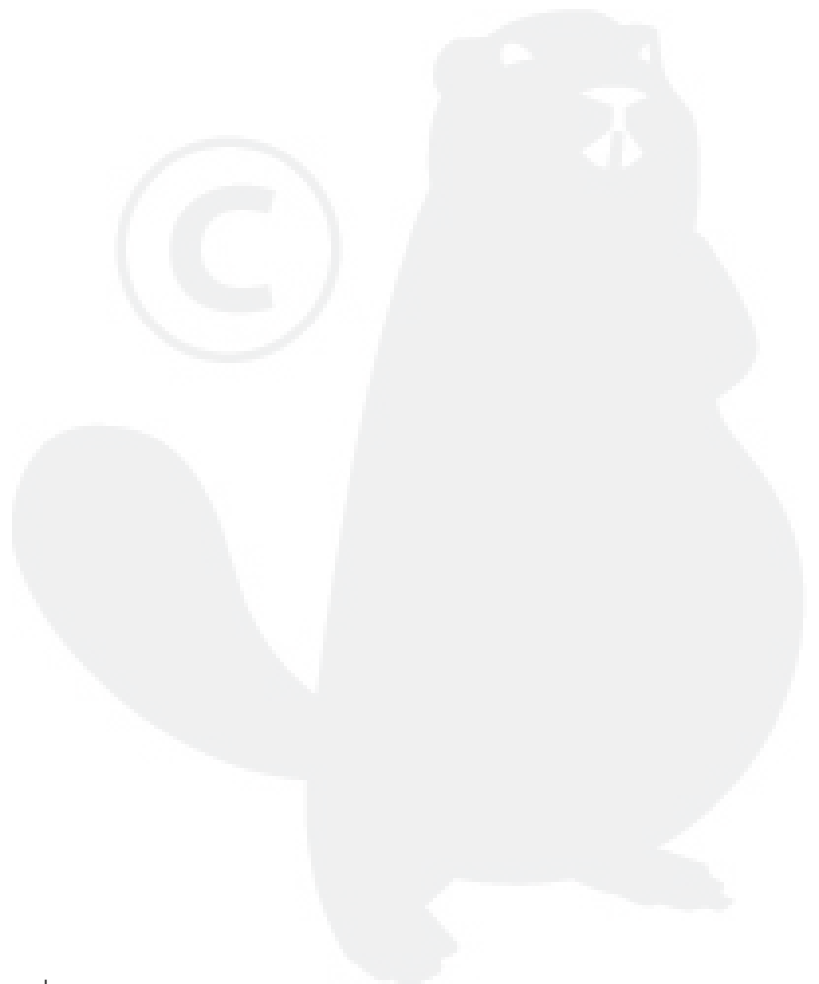


MAIN PIPE

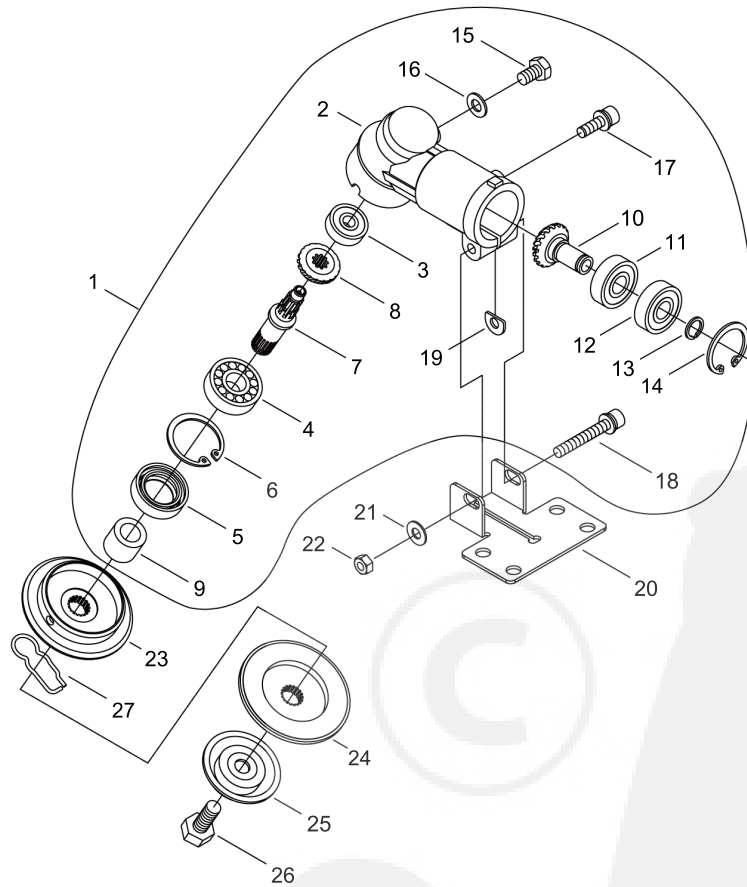


MAIN PIPE

Key No.	LV (+)	Part No	Description	Qty	Standard
1		C050-002060	PIPE, MAIN	1	
2	+	C501-000120	BUSHING	5	
3		C063-000010	HANGER	1	
4		V203-000701	BOLT,5	1	M5X12 WSW
5		900500-00005	NUT 5	1	5
6		C504-000710	MAIN SHAFT	1	
8		890617-43130	LABEL,CAUTION	1	
9		X517-000140	LABEL CAUTION	1	
10		X508-000340	LABEL DECIBEL	1	
11		X524-002380	HANDLE LABEL	1	



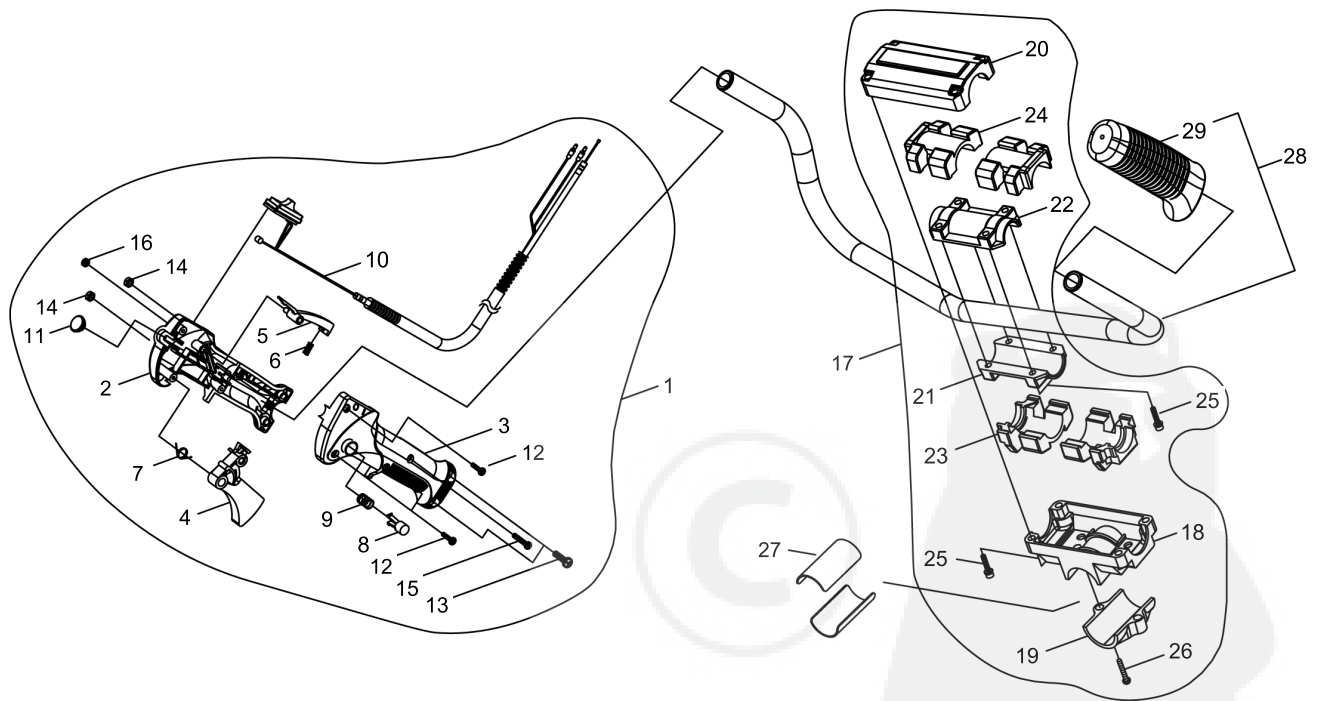
GEAR CASE



GEAR CASE

Key No.	LV (+)	Part No	Description	Qty	Standard
1		C051-000481	CASE,GEAR	1	
2	+	C531-000581	CASE,GEAR	1	R26
3	+	94028-40609	BEARING, BALL	1	
4	+	900810-06201	BEARING, BALL 6201	1	6201
5	+	V510-000000	OIL SEAL	1	
6	+	92424-32000	SNAP RING	1	
7	+	C534-000900	SHAFT, GEAR	1	
8	+	V651-000450	BEVEL GEAR	1	
9	+	V356-000500	COLLAR	1	
10	+	V651-000460	PINION SET	1	
11	+	900855-06901	BEARING, BALL 6901	1	6901
12	+	900859-06901	BEARING, BALL	1	6901
13	+	900706-00012	CIRCLIP 12	1	WR-12
14	+	92424-24000	SNAP RING	1	
15	+	V206-000250	BOLT	1	
16	+	V307-000230	GASKET	1	
17	+	V203-000591	BOLT,5	1	M5X16 WSW
18	+	V204-000450	BOLT SPW	1	
19	+	V340-000280	SHIM	1	
20		C551-000140	LOWER CLAMP	1	
21		900603-00006	WASHER 6	1	6.5*13*1
22		900500-00006	NUT 6	1	6
23		C535-000641	FIXTURE, BLADE	1	
24		C535-000651	FIXTURE, BLADE	1	
25		C535-000630	FIXTURE, BLADE	1	
26		V205-001070	BOLT,8	1	
27		V641-000150	PIN,SNAP	1	

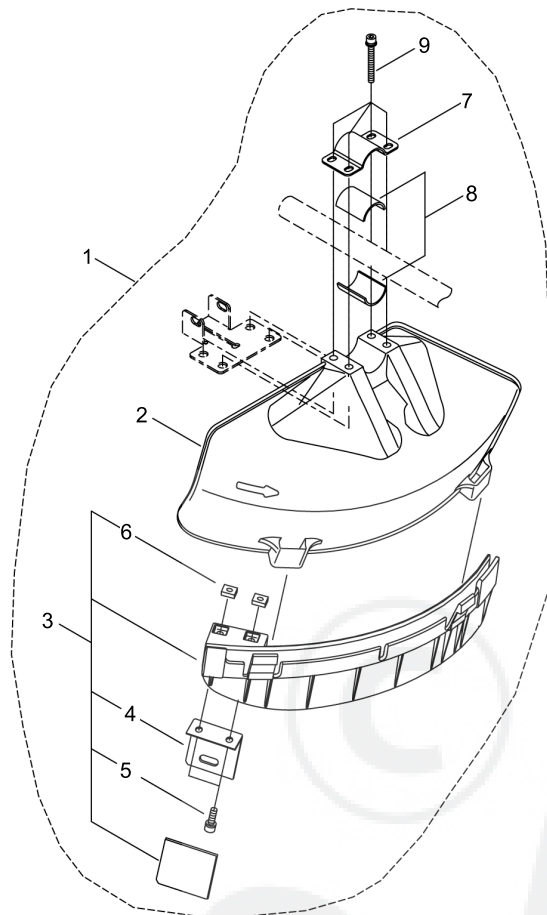
HANDLE



HANDLE

Key No.	LV (+)	Part No	Description	Qty	Standard
1		C044-000841	CONTROL, THROTTLE	1	
2	+	C412-000430	BODY RIGHT	1	
3	+	C412-000440	BODY LEFT	1	
4	+	C450-000581	CONTROL, THROTTLE	1	
5	+	C460-000241	LOCKOUT, THROTTLE	1	
6	+	V450-001020	COIL SPRING	1	
7	+	V452-000690	COIL SPRING	1	
8	+	C461-000080	BUTTON	1	
9	+	V450-001010	COIL SPRING	1	
10	+	V043-000500	THROTTLE CABLE ASSY	1	
11	+	V162-000410	PLUG	1	
12	+	V252-000360	SCREW TAPPING	3	
13	+	V253-000580	SCREW PM	2	
14	+	92017-05000	NUT	2	M5
15	+	V252-000090	SCREW	1	
16	+	V262-000100	NUT	1	
17		P021-033251	BRACKET COMP	1	
18	+	C423-000710	HANDLE BRACKET	1	
19	+	C423-000730	LOWER CAP	1	
20	+	C423-000750	UPPER CAP	1	
21	+	C423-000760	LOWER CLAMP	1	
22	+	C423-000770	UPPER CLAMP	1	
23	+	V420-002460	LOWER CUSHION	2	
24	+	V420-002470	UPPER CUSHION	2	
25	+	V203-000631	BOLT,5	8	M5X25 WSW
26	+	91142-06025	SCREW BUTTON	2	
27		C511-000110	SPACER	2	
28		P021-035440	HANDLE SUB ASSY	1	
29	+	C403-000420	GRIP	1	

BLADE COVER

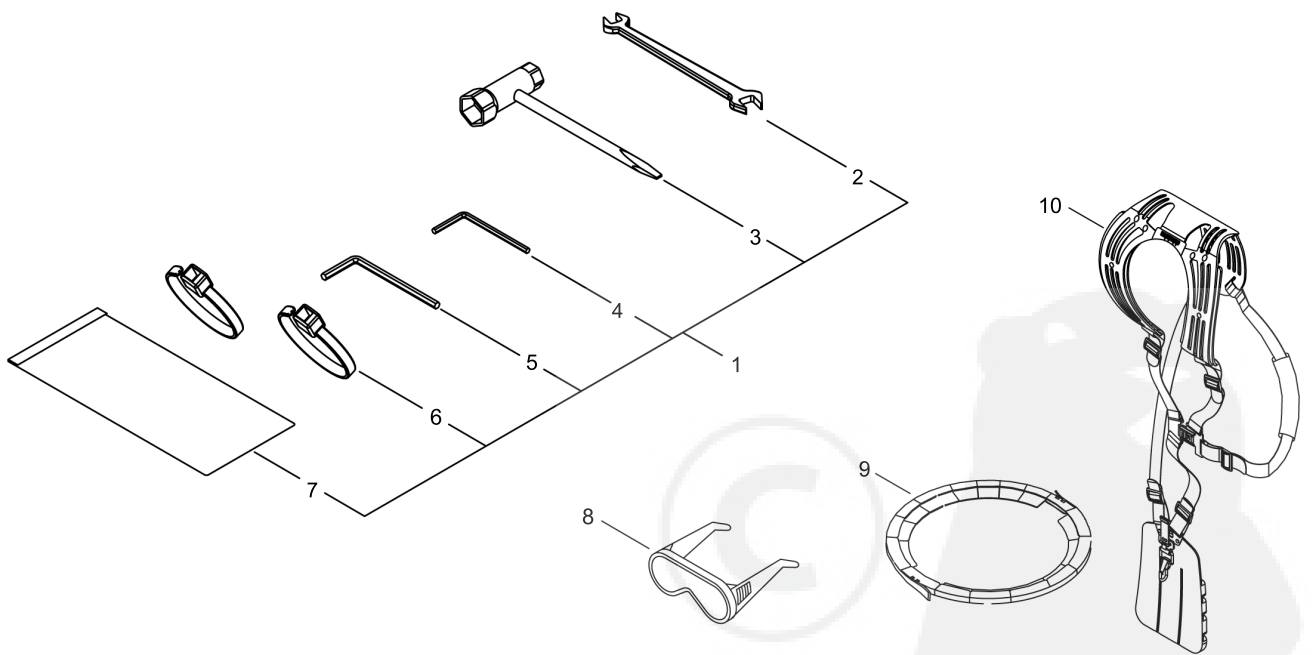


BLADE COVER

Key No.	LV (+)	Part No	Description	Qty	Standard
1		P021-028901	GUARD SET	1	
2	+	C550-000430	GUARD	1	
3	+	P021-028451	SUB GUARD ASSY	1	
4	++	C554-000040	CUTTER	1	
5	++	91122-05016	BOLT	2	CB-5*16 SW
6	++	V263-000130	NUT	2	
7	+	C551-000060	UPPER CLAMP	1	
8	+	V363-000160	SPACER	2	
9	+	V203-000611	BOLT,5	4	M5X45 WSW



ACCESSORIES

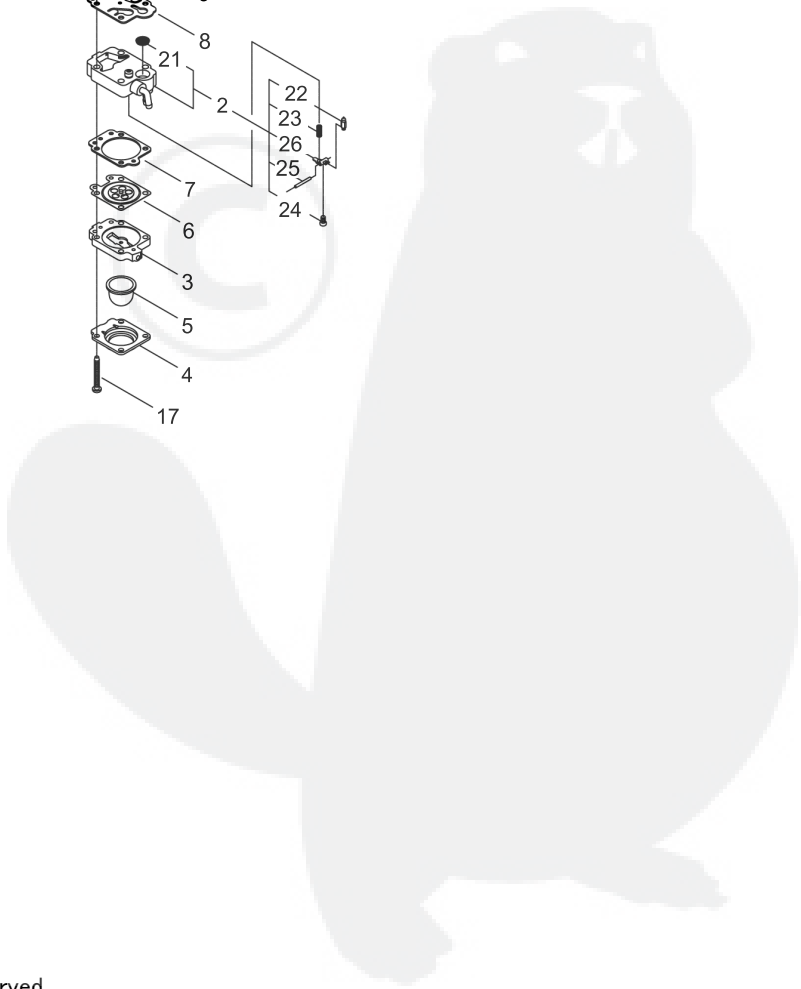
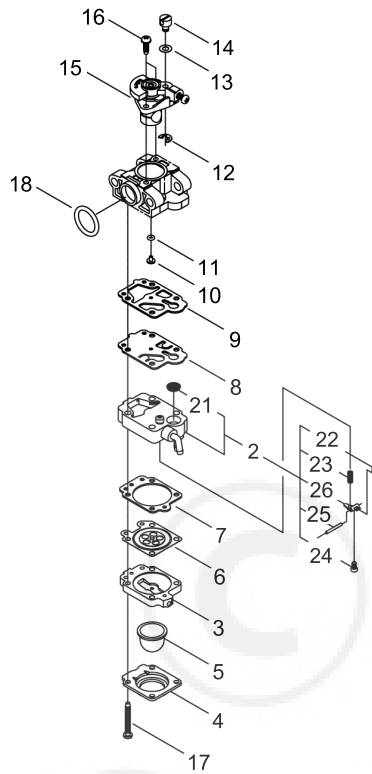


ACCESSORIES

Key No.	LV (+)	Part No	Description	Qty	Standard
1		P021-028530	TOOL SET	1	
2	+	X600-000020	SPANNER	1	
3	+	X602-000160	PLUG WRENCH	1	
4	+	X605-000100	TOOL,L WRENCH	1	4MM M5
5	+	X605-000070	HEXA WRENCH 6MM	1	
6	+	V495-001520	BAND	2	
7	+	X705-000100	BAG,PACKING	1	140*200*T0.08
8		X690-000080	GOGGLE	1	SI CHINA, Z87.1
9		X495-000300	SCABBARD,BLADE	2	
10		C062-000430	HARNESS ASSY	1	



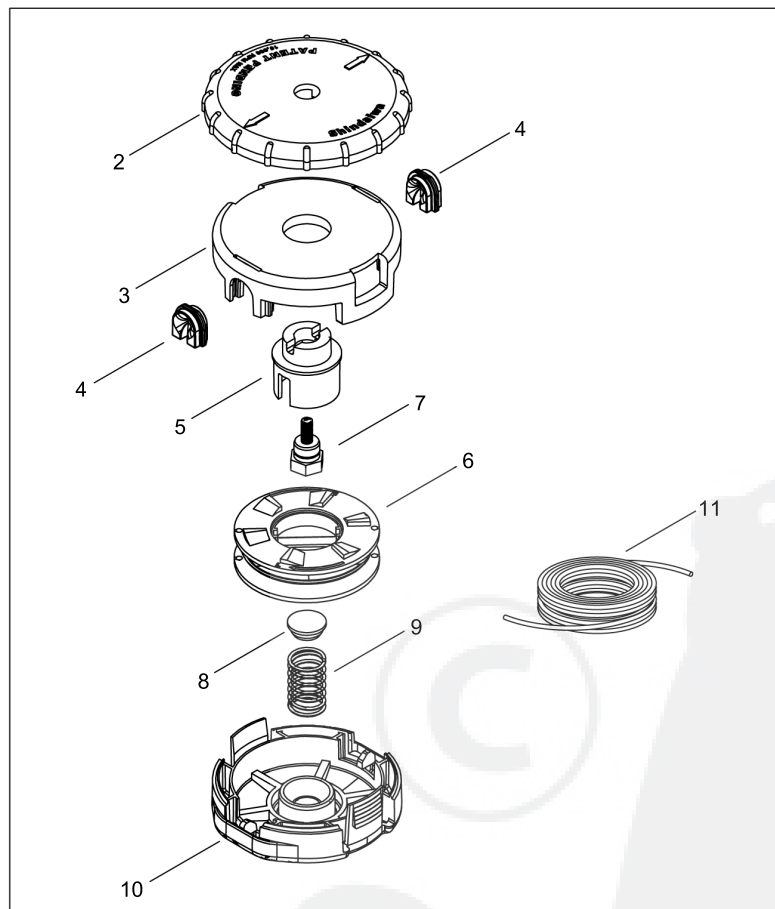
CARBURETOR



CARBURETOR

Key No.	LV (+)	Part No	Description	Qty	Standard
		A021-002480	CABURETOR ASSY	1	
2	+	P003-000510	BODY ASSEMBLY, PUMP	1	
21	++	123126-10631	SCREEN, INLET	1	
22	++	123137-19830	VALVE, INLET NEEDLE	1	
23	++	123122-05560	SPRING, METER. LEVER	1	
24	++	123139-05560	SCREW, M. LEVER PIN	1	
25	++	123138-03930	PIN, METERING LEVER	1	
26	++	123123-03930	LEVER, METERING	1	
3	+	123180-05560	BODY, AIR PURGE	1	
4	+	123142-05560	COVER, PRIMER PUMP	1	
5	+	123181-40630	PUMP, PRIMER	1	
6	+	P003-000090	METERING, DIAPHRAGM	1	
7	+	123140-05560	GASKET, M. DIAPHRAGM	1	
8	+	123112-40630	DIAPHRAGM, PUMP	1	
9	+	123125-40630	GASKET, PUMP	1	
10	+	P003-003940	JET	1	
11	+	123183-40630	O-RING	1	
12	+	123173-07930	CLIP	1	
13	+	123149-54230	WASHER	1	
14	+	123172-45130	SWIVEL	1	
15	+	P003-004630	VALVE, THROTTLE	1	
16	+	123114-44330	SCREW	2	M3*10
17	+	123110-05560	SCREW, PUMP COVER	4	
18	+	V581-000180	O RING	1	

NYLON LINE CUTTER



NYLON LINE CUTTER

Key No.	LV (+)	Part No	Description	Qty	Standard
1		X047-000711	CUTTER,ASM LINE	1	SF450
2	+	E415-000111	KNOB,REGULATOR	1	
3	+	X470-000211	DRUM,REEL	1	
4	+	X475-000050	EYELETS	2	
5	+	X476-000021	HUB,REEL	1	
6	+	X473-000031	REEL,CORD	1	
7	+	X471-000090	SHAFT,CORD	1	
8	+	V494-000280	SPRING CAP	1	
9	+	V450-000871	SPRING,COMPRESSION	1	
10	+	X472-000031	LID,DRUM	1	
11	+	X474-000120	CORD	1	



NUMERICAL PARTS INDEX

Part No	Part description	Page	Part No	Part description	Page	Part No	Part description	Page
123110-05560	SCREW, PUMP COVER	26	92424-42000	SNAP RING	4	A504-000100	RECOIL SPRING	10
123112-40630	DIAPHRAGM, PUMP	26	93115-03010	KEY	8	A506-000140	REEL	10
123114-44330	SCREW	26	94002-36001	BEARING, BALL	4	A509-000070	ROPE	10
123122-05560	SPRING, METER. LEVER	26	94028-40609	BEARING, BALL	18	A511-000100	KNOB	10
123123-03930	LEVER, METERING	26	A011-000651	CRANKSHAFT,ASY	6	A553-000120	CLUTCH SHOE	6
123125-40630	GASKET, PUMP	26	A021-002480	CABURETOR ASSY	12	A556-001360	DRUM, CLUTCH	4
123126-10631	SCREEN, INLET	26	A021-002480	CABURETOR ASSY	26	A557-000080	BOLT	6
123137-19830	VALVE, INLET NEEDLE	26	A023-000300	CASE,CLEANER	12	A566-000110	SPRING	6
123138-03930	PIN, METERING LEVER	26	A024-000020	LEAD VALVE	2	A575-000370	JOINT	4
123139-05560	SCREW, M. LEVER PIN	26	A030-000342	MUFFLER ASY	2	A600-000001	LIFTER	6
123140-05560	GASKET, M. DIAPHRAGM	26	A033-000330	CAP,FUEL	14	A603-000000	INTAKE VALVE	6
123142-05560	COVER, PRIMER PUMP	26	A051-001500	RECOIL STARTER ASSY	10	A603-000010	EXHAUST VALVE	6
123149-54230	WASHER	26	A052-000300	STARTER PULLEY	10	A604-000010	VALVE SPRING	6
123172-45130	SWIVEL	26	A056-000410	CLUTCH SHOE ASSY	6	A606-000040	RETAINER	6
123173-07930	CLIP	26	A056-000420	CLUTCH SHOE SUB ASSY	6	A607-000001	ROD,PUSH	6
123180-05560	BODY, AIR PURGE	26	A063-000000	CAM GEAR ASSY	6	A610-000050	ROCKER ARM ASSY	6
123181-40630	PUMP, PRIMER	26	A101-000240	PISTON RING	6	A610-000060	ROCKER ARM	6
123183-40630	O-RING	26	A123-000000	COVER	4	A613-000010	ADJUST SCREW	6
890617-43130	LABEL,CAUTION	16	A136-000000	CAM GEAR COVER	6	A622-000000	CAM GEAR	6
900105-05016	BOLT, H.S. 5*16	2	A137-000000	ROCKER ARM COVER	6	C044-000841	CONTROL, THROTTLE	20
900105-05016	BOLT, H.S. 5*16	4	A146-000000	WEIGHT	6	C050-002060	PIPE, MAIN	16
900330-40080	PIN F 4*8	2	A160-001632	COVER,CYLINDER	4	C051-000481	CASE,GEAR	18
900500-00005	NUT 5	16	A172-002030	COVER,FAN	4	C062-000430	HARNES ASSY	24
900500-00006	NUT 6	18	A175-000220	TANK GUARD	14	C063-000010	HANGER	16
900600-00005	WASHER 5	2	A200-000750	INSULATOR	4	C403-000420	GRIP	20
900603-00005	WASHER 5	12	A211-000030	VALVE,REED	4	C412-000430	BODY RIGHT	20
900603-00006	WASHER 6	18	A212-000040	STOPPER	4	C412-000440	BODY LEFT	20
900706-00012	CIRCLIP 12	4	A226-000690	FILTER	12	C423-000710	HANDLE BRACKET	20
900706-00012	CIRCLIP 12	18	A226-000700	PREFILTER	12	C423-000730	LOWER CAP	20
900810-06201	BEARING, BALL 6201	18	A232-000912	LID,CLEANER	12	C423-000750	UPPER CAP	20
900855-06901	BEARING, BALL 6901	18	A300-001251	MUFFLER, EXHAUST	2	C423-000760	LOWER CLAMP	20
900859-06901	BEARING, BALL	18	A310-000390	SCREEN, ARRESTOR	2	C423-000770	UPPER CLAMP	20
91122-05016	BOLT	22	A313-001391	GUIDE, EXHAUST	2	C450-000581	CONTROL, THROTTLE	20
91142-06025	SCREW BUTTON	20	A350-001340	FUEL TANK	14	C460-000241	LOCKOUT, THROTTLE	20
91341-03010	SCREW-SW	4	A355-000180	FUEL CAP	14	C461-000080	BUTTON	20
91449-04006	SCREW,TAPPING	6	A356-000050	VALVE,CHECK	14	C486-000030	CABLE ADJUSTER	2
91483-02506	SCREW TAPPING	14	A369-000070	FUEL FILTER	14	C501-000120	BUSHING	16
91572-04006	SCREW,PM-SW	2	A409-000630	ROTOR	8	C504-000710	MAIN SHAFT	16
91581-05060	SCREW,PM	12	A411-000770	COIL ASSY	8	C511-000110	SPACER	20
91582-05025	SCREW,PM-SPW	2	A425-000040	SPARKPLUG	8	C531-000581	CASE,GEAR	18
92017-05000	NUT	20	A426-000070	COIL SPRING	8	C534-000900	SHAFT, GEAR	18
92018-06000	NUT	2	A427-000110	PLUG CAP	8	C535-000630	FIXTURE, BLADE	18
92424-24000	SNAP RING	18	A429-000130	GROMMET	4	C535-000641	FIXTURE, BLADE	18
92424-28000	SNAP RING	4	A500-000630	STARTER CASE	10	C535-000651	FIXTURE, BLADE	18
92424-32000	SNAP RING	18				C550-000430	GUARD	22

NUMERICAL PARTS INDEX

Part No	Part description	Page	Part No	Part description	Page	Part No	Part description	Page
C551-000060	UPPER CLAMP	22	V204-000450	BOLT SPW	18	V510-000000	OIL SEAL	18
C551-000140	LOWER CLAMP	18	V205-001070	BOLT,8	18	V555-000080	NEEDLE BEARING	6
C554-000040	CUTTER	22	V206-000250	BOLT	18	V580-000110	SNAP RING	6
C603-000240	PLATE	6	V252-000090	SCREW	20	V581-000180	O RING	26
C810-000120	SWING ARM	10	V252-000360	SCREW TAPPING	20	V608-000060	PISTON PIN	6
E415-000111	KNOB,REGULATOR	28	V253-000310	SCREW	10	V623-000010	ROLLER	6
P003-000090	METERING, DIAPHRAGM	26	V253-000540	SCREW	6	V623-000030	ROLLER	6
P003-000510	BODY ASSEMBLY, PUMP	26	V253-000580	SCREW PM	20	V641-000150	PIN,SNAP	18
P003-003940	JET	26	V262-000100	NUT	20	V651-000450	BEVEL GEAR	18
P003-004630	VALVE,THROTTLE	26	V263-000130	NUT	22	V651-000460	PINION SET	18
P021-027540	CYLINDER BLOCK SET	2	V263-000230	NUT	6	X047-000711	CUTTER,ASM LINE	28
P021-027551	FAN COVER ASSY	4	V265-000140	NUT	8	X470-000211	DRUM,REEL	28
P021-027590	RETAINER SET	6	V299-000570	KNOB	12	X471-000090	SHAFT,CORD	28
P021-028451	SUB GUARD ASSY	22	V303-000120	COLLAR	6	X472-000031	LID,DRUM	28
P021-028491	FAN COVER COMP	4	V303-000220	WASHER	6	X473-000031	REEL,CORD	28
P021-028511	FUEL TANK ASSY	14	V304-000150	WASHER	6	X474-000120	CORD	28
P021-028530	TOOL SET	24	V307-000200	THRUST WASHER	6	X475-000050	EYELETS	28
P021-028562	CLEANER COVER ASSY	12	V307-000230	GASKET	18	X476-000021	HUB,REEL	28
P021-028901	GUARD SET	22	V322-000040	INSULATOR	8	X495-000300	SCABBARD,BLADE	24
P021-033251	BRACKET COMP	20	V340-000280	SHIM	18	X504-006750	LABEL,BRAND	10
P021-033972	PISTON SET	6	V346-000040	SPRING PLATE	6	X504-006761	LABEL,BRAND	4
P021-035440	HANDLE SUB ASSY	20	V353-000310	COLLAR	10	X508-000340	LABEL DECIBEL	16
V043-000500	THROTTLE CABLE ASSY	20	V356-000500	COLLAR	18	X517-000140	LABEL CAUTION	16
V103-000570	GASKET	12	V363-000160	SPACER	22	X524-001901	LABEL	4
V103-000980	GASKET	2	V392-000030	PLATE	6	X524-002380	HANDLE LABEL	16
V104-001431	GASKET,EXHAUST	2	V420-002220	TANK CUSHION	14	X543-004100	LABEL,MODEL	4
V107-000010	GASKET	14	V420-002460	LOWER CUSHION	20	X600-000020	SPANNER	24
V109-000040	GASKET	6	V420-002470	UPPER CUSHION	20	X602-000160	PLUG WRENCH	24
V109-000050	GASKET	6	V450-000871	SPRING,COMPRESSION	28	X605-000070	HEXA WRENCH 6MM	24
V109-000100	GASKET	4	V450-001010	COIL SPRING	20	X605-000100	TOOL,L WRENCH	24
V152-002250	BRACKET THROTTLE	2	V450-001020	COIL SPRING	20	X690-000080	GOGGLE	24
V162-000410	PLUG	20	V452-000610	COIL SPRING	6	X705-000100	BAG,PACKING	24
V186-000210	JOINT	14	V452-000690	COIL SPRING	20			
V202-000350	BOLT-SPW	4	V470-000880	GROMMET	14			
V202-000350	BOLT-SPW	6	V471-002520	PIPE	14			
V202-000350	BOLT-SPW	10	V471-002570	FUEL PIPE	14			
V202-000360	BOLT-SLPW	8	V475-005160	TUBE	8			
V203-000351	BOLT,5	14	V485-001260	LEAD WIRE	2			
V203-000530	BOLT SW	4	V485-001630	LEAD WIRE	8			
V203-000591	BOLT,5	18	V490-000500	CLIP	14			
V203-000611	BOLT,5	22	V490-000510	CLIP	14			
V203-000620	BOLT-SW	4	V494-000280	SPRING CAP	28			
V203-000631	BOLT,5	20	V495-001520	BAND	24			
V203-000701	BOLT,5	16	V505-000020	SEAL,OIL 12	6			
V203-001000	BOLT	2	V505-000060	OIL SEAL	6			