

C243S/SF375

Serial number: 37000001-37003050

Last update date: 01/28/2020

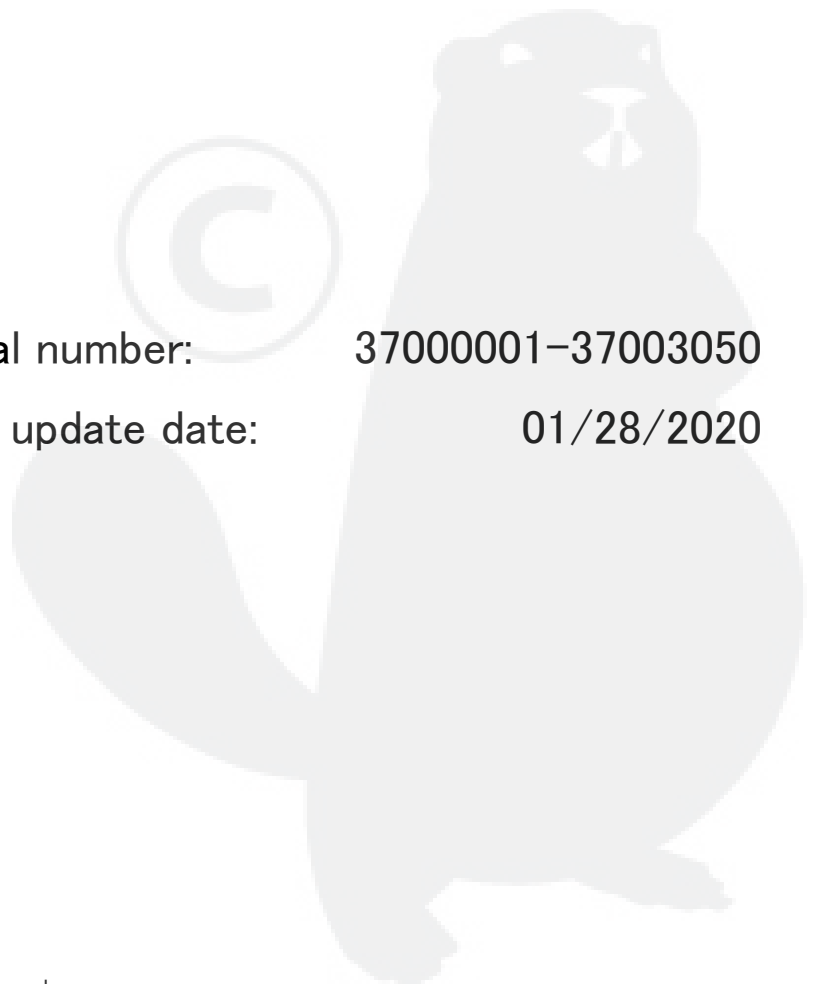
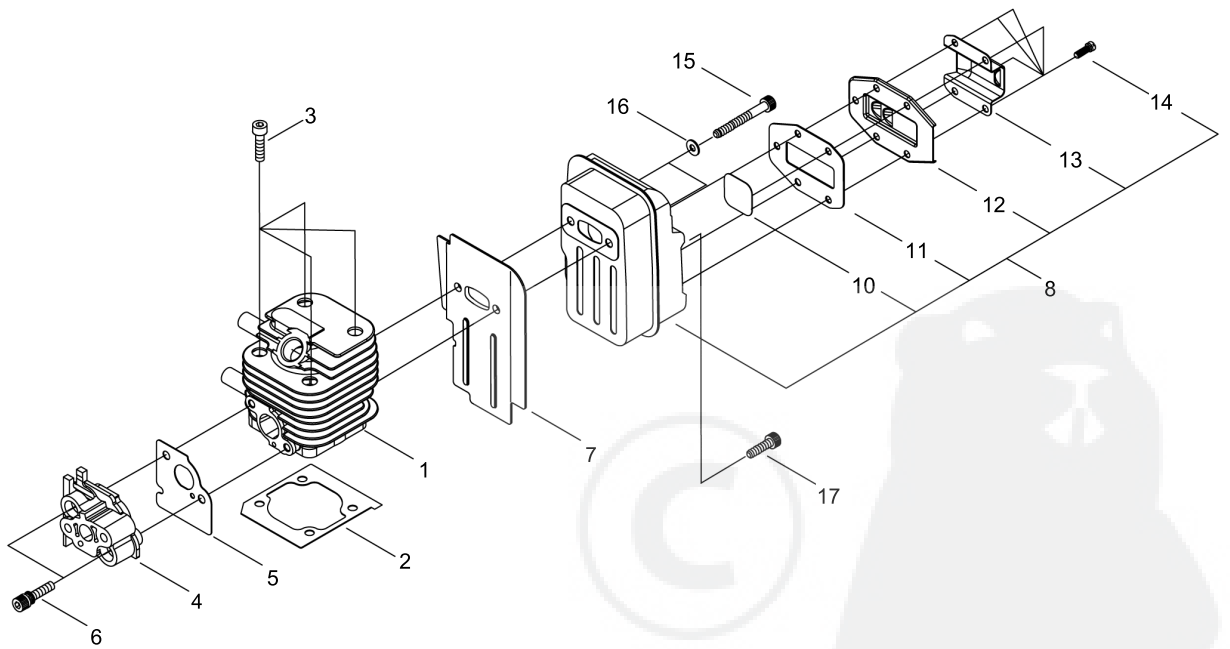


TABLE OF CONTENTS

CYLINDER, MUFFLER	1
FAN COVER, CRANKCASE.....	3
PISTON, CRANKSHAFT	5
MAGNETO.....	7
RECOIL STARTER.....	9
AIR CLEANER.....	11
FUEL TANK.....	13
MAIN PIPE.....	15
GEAR CASE.....	17
HANDLE.....	19
BLADE COVER.....	21
ACCESSORIES	23
HARNESS.....	25
NYLON LINE CUTTER.....	27
CARBURETOR.....	29



CYLINDER, MUFFLER

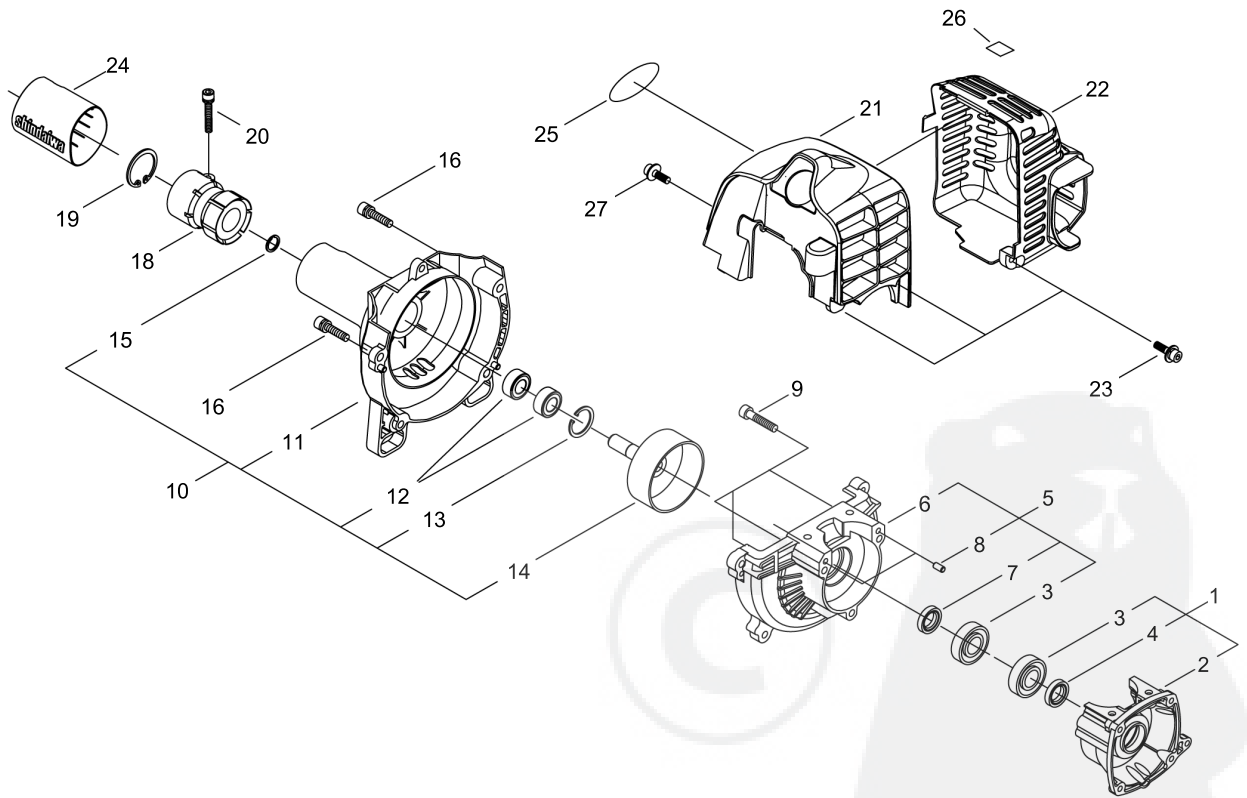


CYLINDER, MUFFLER

Key No.	LV (+)	Part No	Description	Qty	Standard
1		A130-001710	CYLINDER	1	NRCP
2		V100-000610	GASKET,CYL	1	NP8005C T0.5
3		900105-05016	BOLT, H.S. 5*16	4	5*16
4		A200-000910	INSULATOR, INTAKE	1	
5		V103-000660	GASKET	1	
6		900162-05030	BOLT, H.S. 5*30	2	5*30 W,SW
7		V104-001090	GASKET MUFFLER	1	
8		P021-037641	MUFFLER ASY	1	
10	+	A310-000170	SCREEN	1	
11	+	V104-001100	GASKET	1	
12	+	A313-001660	GUIDE, EXHAUST	1	
13	+	A313-001230	TAIL PLATE	1	
14	+	900283-04008	SCREW 4*8	5	4*8
15		91109-05055	BOLT	2	CB-5*0.8*55
16		900604-00005	WASHER 5 SUS	2	5 SUS
17		900106-05012	BOLT, H.S. 5*12	1	5*12



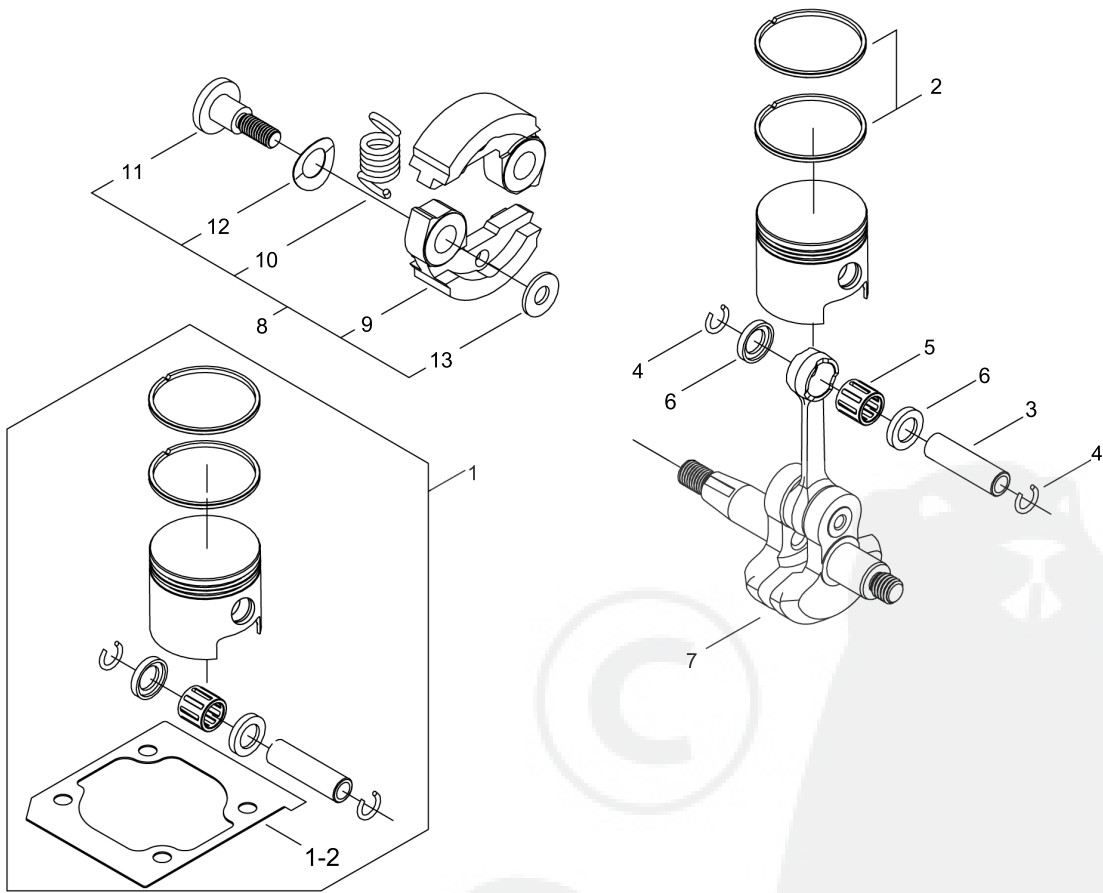
FAN COVER, CRANKCASE



FAN COVER, CRANKCASE

Key No.	LV (+)	Part No	Description	Qty	Standard
1		P021-035650	CRANK CASE S COMP	1	T242
2	+	A120-000140	CRANK CASE S	1	
3	+	900800-36001	BEARING, BALL 6001	1	6001/C3
4	+	V505-000070	OIL SEAL	1	
5		P021-035660	CRANK CASE M COMP	1	T242
6	+	A120-000130	CRANK CASE M	1	
3	+	900800-36001	BEARING, BALL 6001	1	6001/C3
7	+	V505-000080	OIL SEAL	1	
8	+	900330-40080	PIN F 4*8	2	4*8
9		900105-05025	BOLT, H.S. 5*25	3	5*25
10		P021-035702	FAN COVER-A	1	
11	+	A172-001700	COVER,FAN	1	
12	+	900802-06000	BEARING, BALL 6000	2	6000DDU(LLU)
13	+	900702-00026	CIRCLIP 26	1	CR-26
14	+	A556-001300	CLUTCH DRUM	1	
15	+	900701-00010	CIRCLIP 10	1	CS-10
16		900162-05018	BOLT, H.S. 5*18	2	5*18 W,SW
18		A575-000470	FIXTURE, MAIN PIPE	1	
19		900702-00040	CIRCLIP 40	1	CR-40
20		91122-05022	BOLT	1	CB-5*22 SW
21		A160-002280	COVER,CYLINDER	1	
22		A320-000870	COVER,MUFFLER	1	
23		V202-000200	BOLT	3	
24		A413-000000	PROTECTOR	1	
25		X504-007720	LABEL, BRAND	1	C243S
26		X505-002310	LABEL, CAUTION	1	HOT CAUTION
27		V202-000200	BOLT	1	

PISTON, CRANKSHAFT

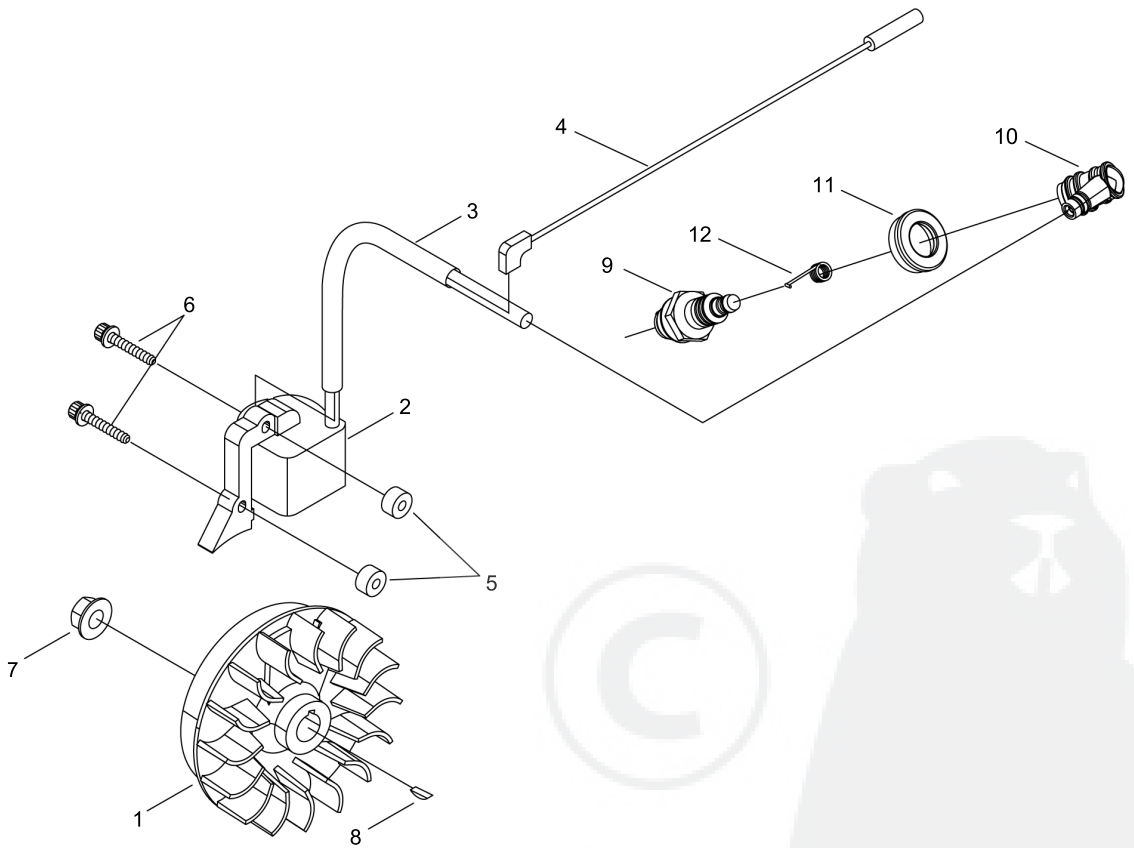


PISTON, CRANKSHAFT

Key No.	LV (+)	Part No	Description	Qty	Standard
1		P021-035670	PISTON KIT	1	
2	+	A101-000290	PISTON RING	2	
3	+	V606-000000	PIN,ENG 8	1	5*8*28
4	+	100015-04630	CIRCLIP, PISTON PIN	2	
5	+	V553-000080	NEEDLE BEARING	1	
6	+	V306-000250	THRUST WASHER	2	
7		A011-000700	CRANK SHAFT	1	
8		A056-000260	CLUTCH SHOE ASSY	1	
9	+	A553-000060	CLUTCH SHOE	2	
10	+	A566-000050	COIL SPRING	1	
11	+	A557-000040	BOLT	2	
12	+	V346-000040	SPRING PLATE	2	
13	+	V304-000150	WASHER	2	



MAGNETO

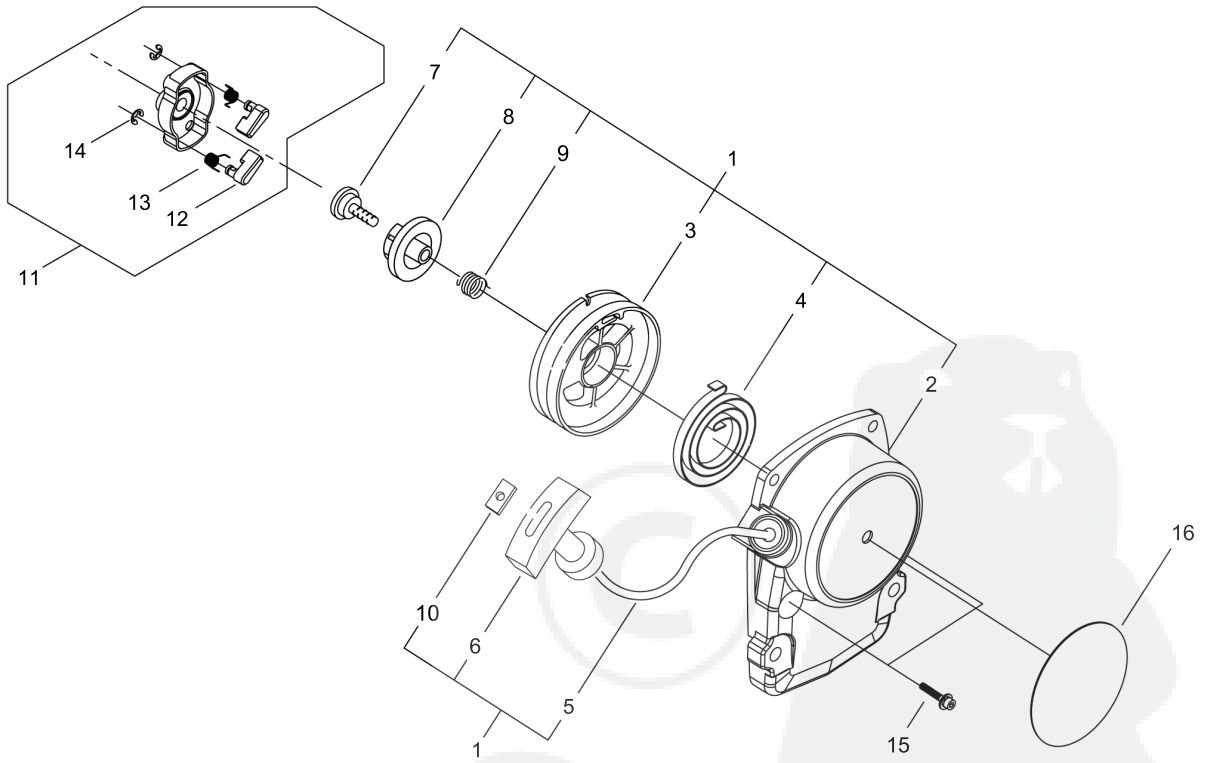


MAGNETO

Key No.	LV (+)	Part No	Description	Qty	Standard
1		A409-001060	ROTOR, MAGNETO	1	C12076
2		A411-001150	COIL, IGNITION	1	C12076
3		V475-006600	TUBE	1	SSG-3 8*L125
4		V485-002470	LEAD	1	L185
5		V322-000040	INSULATOR	2	
6		V202-000480	BOLT ADHESIVE	2	
7		V265-000140	NUT	1	
8		93115-03010	KEY	1	3*10
9		A425-000000	SPARKPLUG	1	BPMP8Y
10		A427-000060	CAP,SPARK PLUG	1	
11		A429-000090	COVER,CAP	1	
12		A426-000010	TERMINAL,SPARKPLUG	1	



RECOIL STARTER

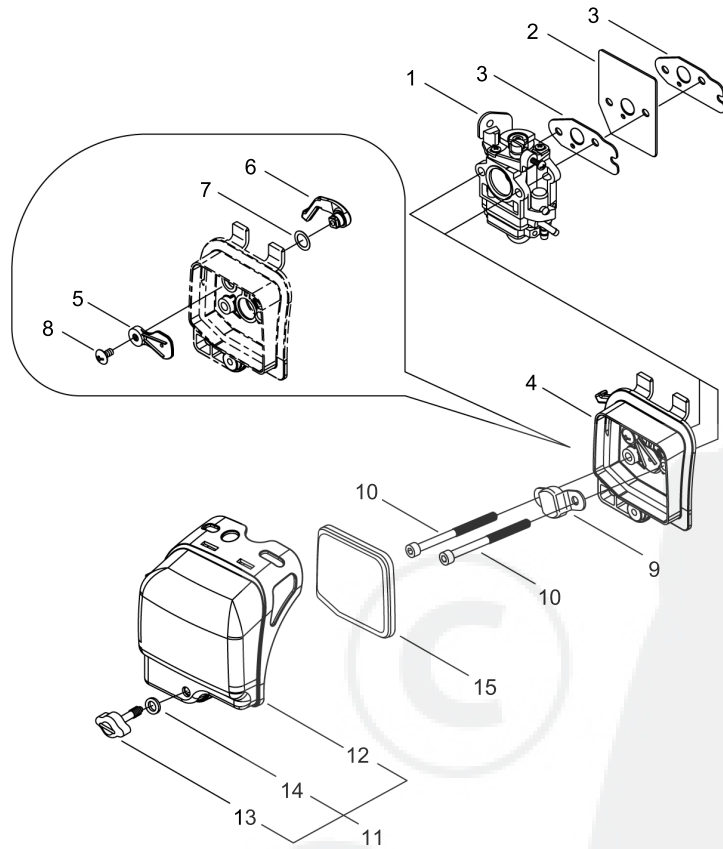


RECOIL STARTER

Key No.	LV (+)	Part No	Description	Qty	Standard
1		A051-002840	STARTER,RECOIL ASY	1	
2	+	A500-001361	CASE,STARTER	1	
3	+	P022-027980	DRUM, STARTER	1	
4	+	177220-42030	SPRING, REWIND	1	
5	+	P022-008260	ROPE	1	3M/M
6	+	177228-27030	GRIP, STARTER	1	
7	+	177236-61830	SCREW	1	
8	+	P022-028000	PLATE, CAM	1	
9	+	P022-008270	SPRING,DAMPER	1	
10	+	177246-11120	CLIP, STARTER ROPE	1	
11		A052-000180	PULLEY,ASM STARTER	1	
12	+	P022-006850	PAWL, STARTER	2	
13	+	P022-006510	SPRING, RETURN	2	
14	+	P022-002100	E-RING	2	4
15		V202-000200	BOLT	2	
16		X504-007680	LABEL,BRAND	1	SHINDAIWA 47



AIR CLEANER

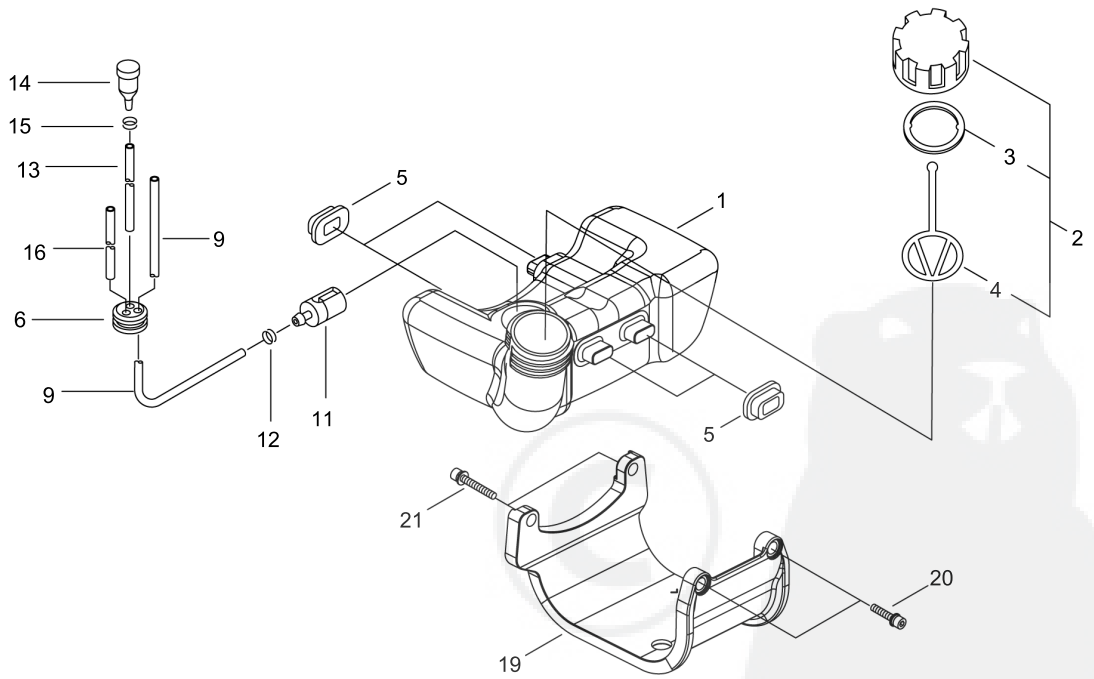


AIR CLEANER

Key No.	LV (+)	Part No	Description	Qty	Standard
1		A021-003310	CARBURETOR, DIAPHRAGM	1	WYK-353
2		A209-000460	PLATE, INSULATOR	1	
3		V103-001060	GASKET	2	
4		A023-000290	CASE,CLEANER	1	
5	+	A243-000280	SHUTTER, CHOKE	1	
6	+	A242-000140	CHOKE LEVER	1	
7	+	V346-000050	WASHER,WAVE	1	
8	+	91439-04012	SCREW,TRUSS,T	1	
9		A244-000120	BACK PLATE	1	
10		91109-05060	BOLT	2	CB-5*60
11		A232-000640	CLEANER COVER ASSY	1	
12	+	A232-000630	CLEANER COVER	1	
13	+	V299-000340	KNOB	1	
14	+	V323-000080	COLLAR	1	
15		A226-001390	ELEMENT, AIR FILTER	1	YF975X1300



FUEL TANK

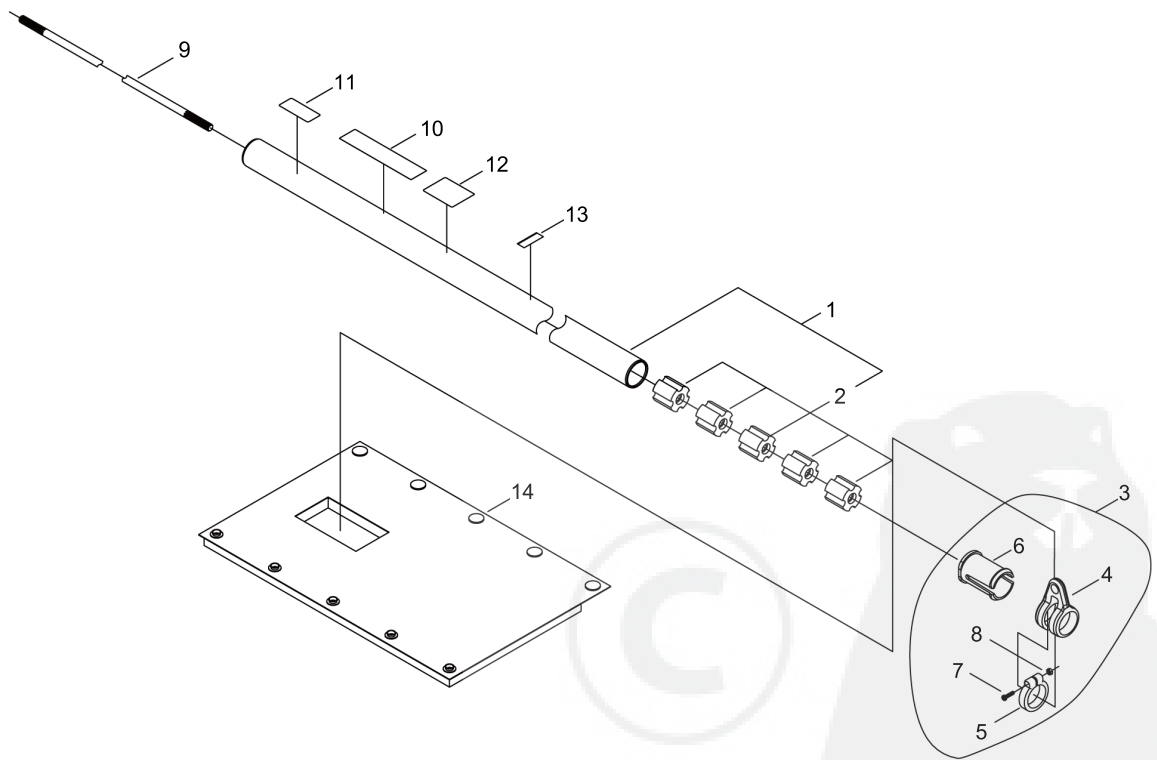


FUEL TANK

Key No.	LV (+)	Part No	Description	Qty	Standard
1		A350-000972	TANK, FUEL	1	
2		P021-035680	FUEL CAP ASY	1	T242
3	+	131016-55830	GASKET, FUEL CAP	1	
4	+	A365-000060	CONNECTOR,CAP	1	L=123
5		V420-002220	TANK CUSHION	4	
6		132115-55930	GROMMET, FUEL	1	
9		437210-30830	PIPE, OIL	1	NBR 3*6*210L
11		A369-000001	STRAINER, FUEL	1	125-528
12		V490-001240	CLIP	1	6MM
13		130110-54430	PIPE, IMPULSE	1	3*6*105 NBR
14		A356-000040	VALVE	1	
15		V490-001230	CLIP	1	6.5MM
16		132010-49730	PIPE 3*6*85	1	3*6*85 YL
19		A175-000080	TANK GUARD	1	
20		900162-05018	BOLT, H.S. 5*18	2	5*18 W,SW
21		900162-05040	BOLT, H.S. 5*40	2	5*40 W,SW



MAIN PIPE

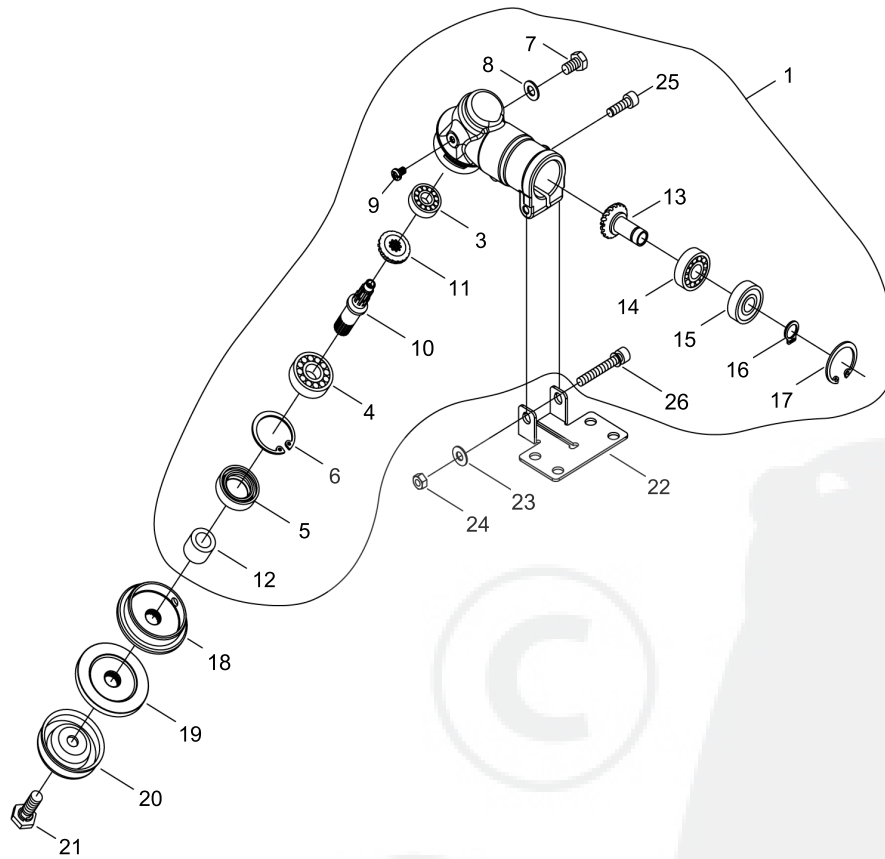


MAIN PIPE

Key No.	LV (+)	Part No	Description	Qty	Standard
1		C050-002080	OUTER PIPE SUB ASSY	1	
2	+	C501-000010	BUSH	5	
3		C063-000000	HANGER ASSY	1	
4	+	C670-000060	HANGER	1	
5	+	V495-001330	CLAMP	1	
6	+	V363-000110	COLLAR	1	
7	+	91578-04016	SCREW PM	1	
8	+	900500-00004	NUT	1	4
9		C504-000500	MAIN SHAFT	1	6 X 1495
10		890617-43130	LABEL,CAUTION	1	
11		X505-002900	LABEL CAUTION	1	
12		X508-000300	LABEL DECIBEL	1	
13		X524-002380	HANDLE LABEL	1	
14		V420-002340	PROTECTOR	1	



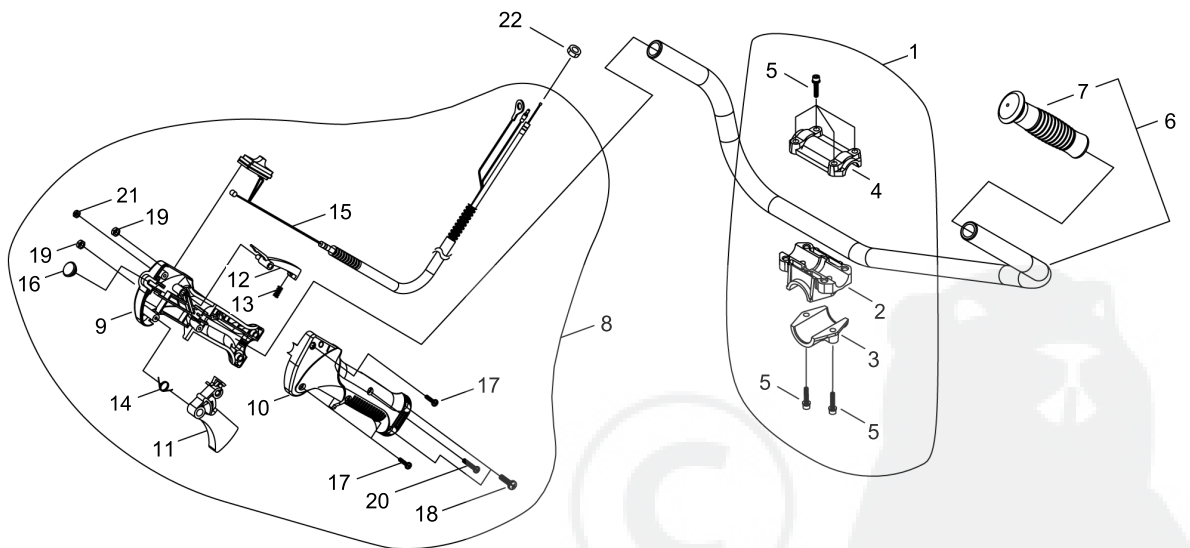
GEAR CASE



GEAR CASE

Key No.	LV (+)	Part No	Description	Qty	Standard
1		P021-025400	GEAR CASE SUB ASSY	1	
3	+	900810-00626	BEARING, BALL 626	1	626
4	+	900800-06000	BEARING, BALL 6000	1	6000
5	+	V509-000000	OIL SEAL	1	
6	+	92424-26000	SNAP RING	1	
7	+	91030-06010	BOLT	1	
8	+	900600-00006	WASHER	1	6
9	+	91570-04006	SCREW PM	1	
10	+	C534-000530	GEAR SHAFT	1	
11	+	V651-000390	BEVEL GEAR	1	
12	+	V356-000480	COLLAR	1	
13	+	V651-000380	PINION	1	
14	+	900800-00609	BEARING	1	609
15	+	900804-00609	BEARING	1	609ZZ
16	+	92423-09000	SNAP RING	1	
17	+	92424-24000	SNAP RING	1	
25	+	900105-05010	BOLT, H.S. 5*10	1	5*10
26	+	V203-000530	BOLT SW	1	
18		C535-000820	HOLDER	1	
19		C535-000830	HOLDER	1	
20		C535-000600	BOLT GUARD	1	
21		V216-000060	BOLT SW	1	
22		C551-000050	LOWER CLAMP	1	
23		900603-00005	WASHER 5	1	5.5*12*0.8
24		900500-00005	NUT 5	1	5

HANDLE

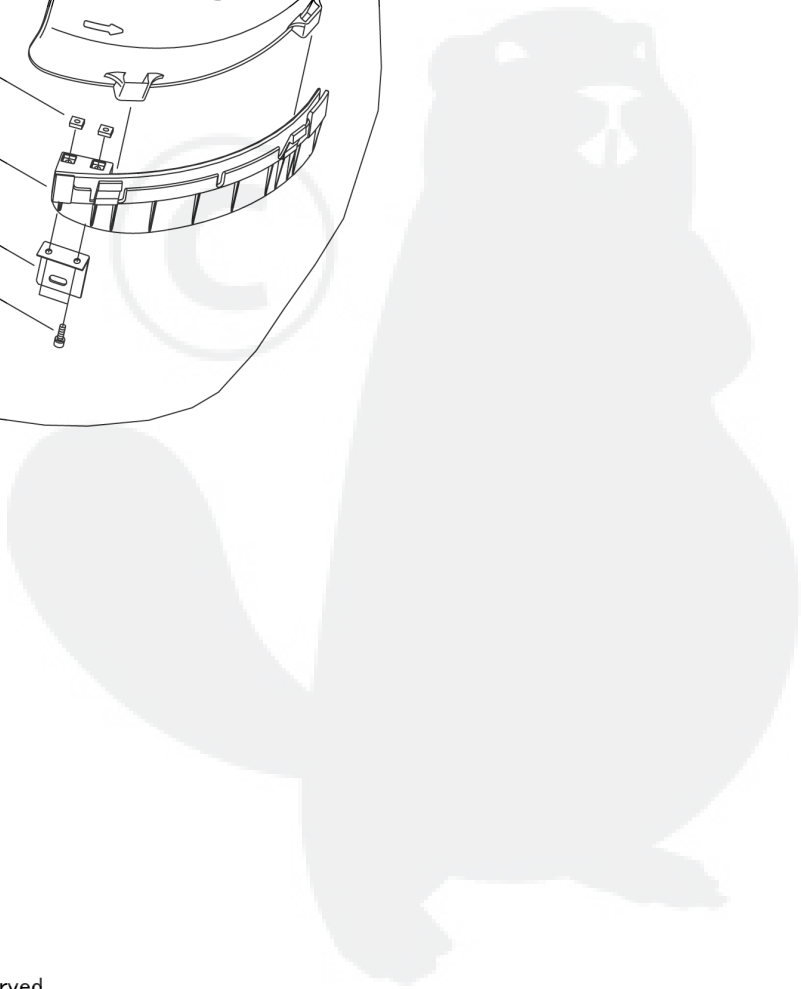
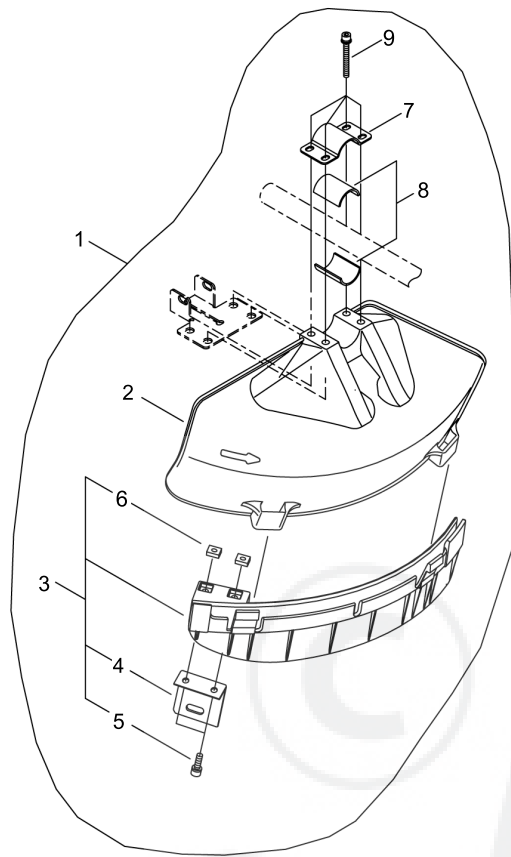


HANDLE

Key No.	LV (+)	Part No	Description	Qty	Standard
1		P021-024921	BRACKET ASSY	1	
2	+	C423-000440	BRACKET	1	
3	+	C423-000450	LOWER CAP	1	
4	+	C423-000520	UPPER CAP	1	
5	+	V203-000631	BOLT,5	6	M5X25 WSW
6		P021-038460	HANDLE SUB ASSY	1	
7	+	C403-000210	GRIP	1	
8		C044-001242	CONTROL, THROTTLE	1	18 ADJ CABLE
9	+	C401-000100	BODY RIGHT	1	
10	+	C401-000111	PIECE,HANDLE	1	
11	+	C450-000581	CONTROL, THROTTLE	1	
12	+	C460-000241	LOCKOUT, THROTTLE	1	
13	+	V450-001020	COIL SPRING	1	
14	+	V452-000690	COIL SPRING	1	
15	+	V043-000630	CABLE ASY, CONTROL	1	
16	+	V162-000410	PLUG	1	
17	+	V252-000360	SCREW TAPPING	3	
18	+	91335-05022	SCREW	2	SRB-5*22
19	+	92017-05000	NUT	2	M5
20	+	V252-000090	SCREW	1	
21	+	V262-000100	NUT	1	
22		900502-00006	NUT 6 (3N)	1	3N6



BLADE COVER

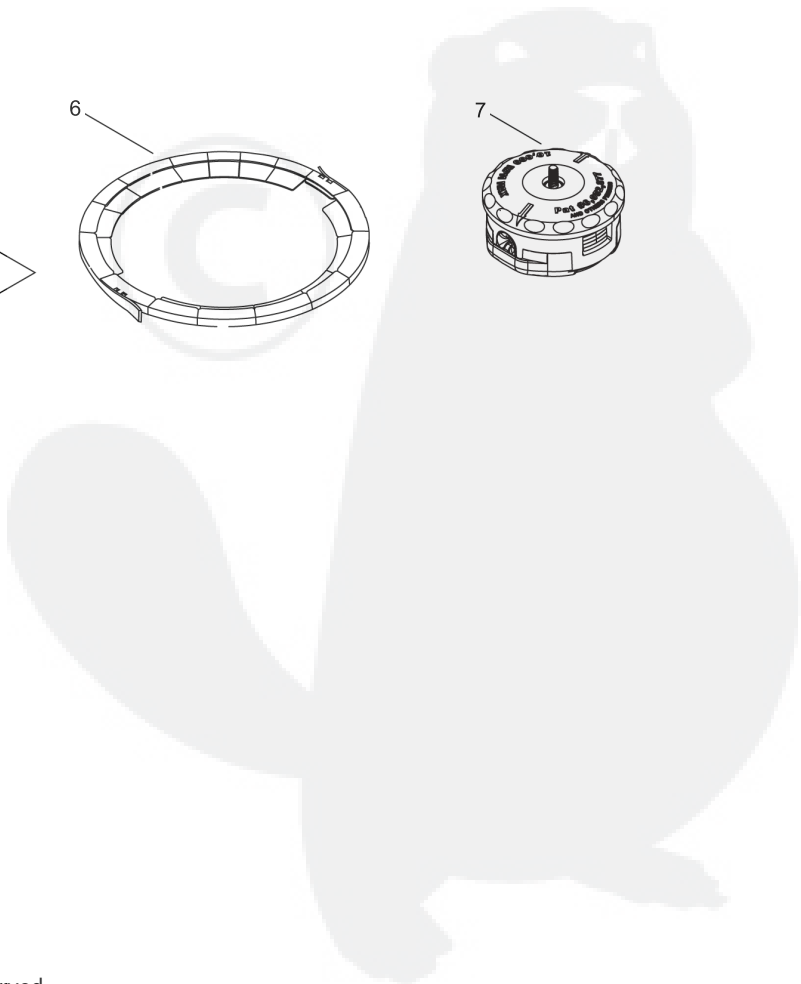
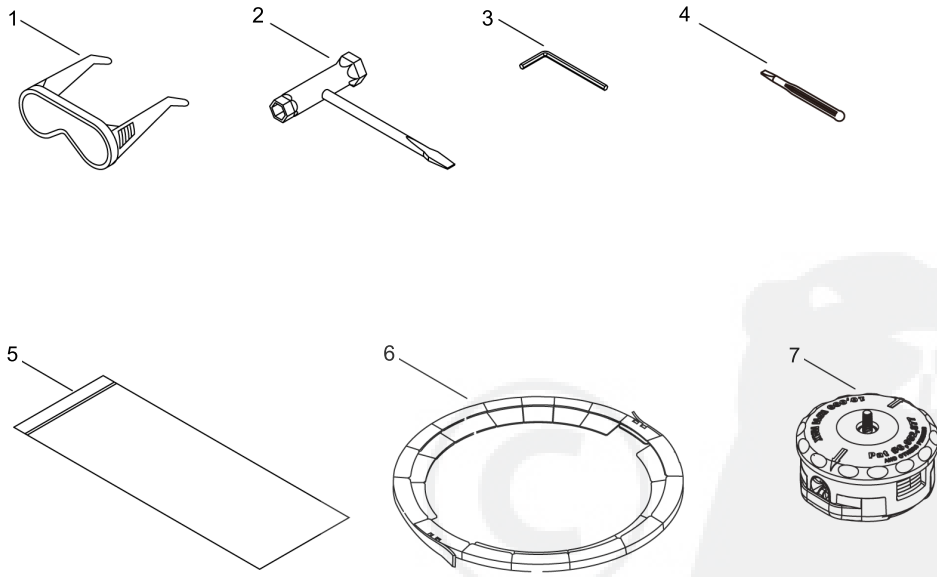


BLADE COVER

Key No.	LV (+)	Part No	Description	Qty	Standard
1		P021-028441	GUARD SET	1	
2	+	C550-000430	GUARD	1	
3	+	P021-028451	SUB GUARD ASSY	1	
4	++	C554-000040	CUTTER	1	
5	++	91122-05016	BOLT	2	CB-5*16 SW
6	++	V263-000130	NUT	2	
7	+	C551-000060	UPPER CLAMP	1	
8	+	V375-000340	SPACER	2	
9	+	V203-000611	BOLT,5	4	M5X45 WSW



ACCESSORIES

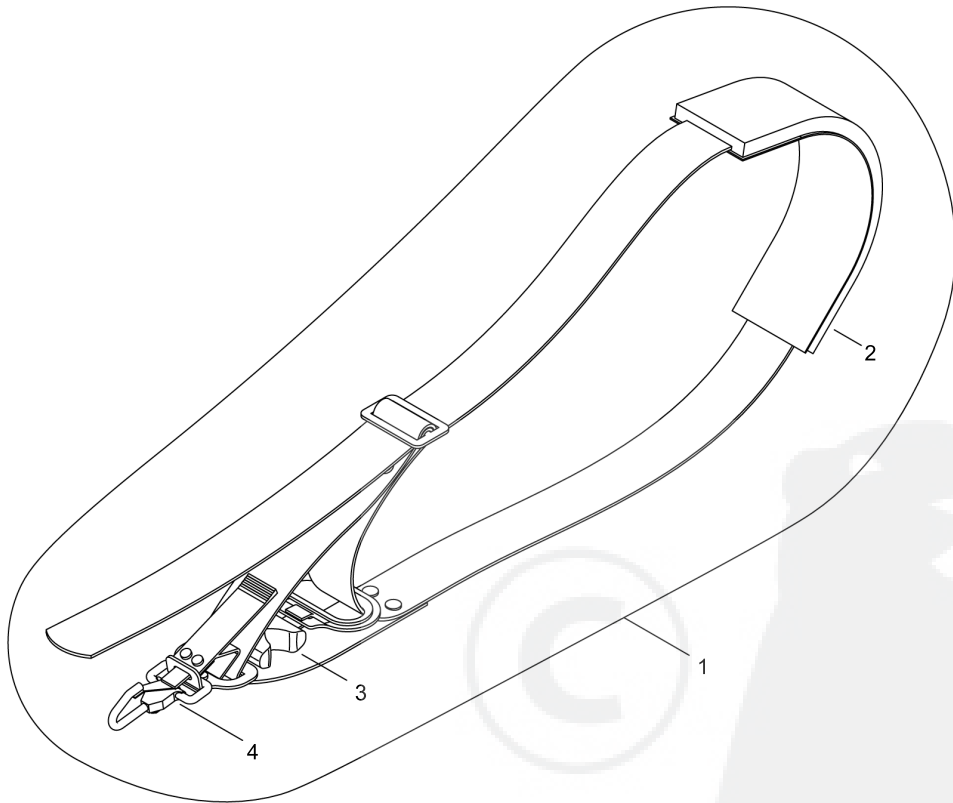


ACCESSORIES

Key No.	LV (+)	Part No	Description	Qty	Standard
1		X690-000080	GOGGLE	1	SI CHINA, Z87.1
2		X602-000120	TOOL,WRENCH	1	19-13
3		X605-000100	TOOL,L WRENCH	1	4MM M5
4		X626-000010	TOOL,SCRAPER	1	
5		X705-000100	BAG,PACKING	1	140*200*T0.08
6		P021-034750	BLADE COVER	1	
7		X047-000492	CUTTER,ASM LINE	1	SF375-7LH



HARNESS

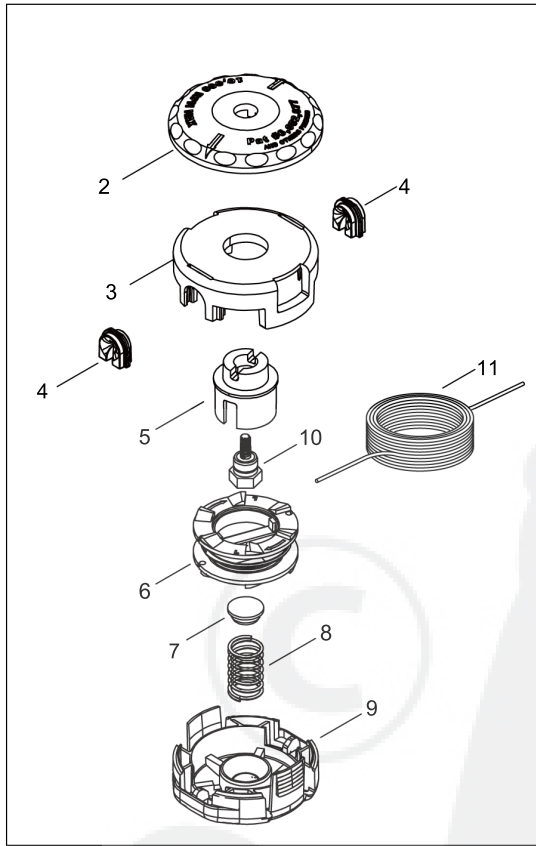


HARNESS

Key No.	LV (+)	Part No	Description	Qty	Standard
1		C062-000330	STRAP ASSY	1	
2	+	C644-000080	PROTECTOR	1	
3	+	C645-000010	CUSHION HARNESS	1	
4	+	C649-000150	HOOK	1	



NYLON LINE CUTTER

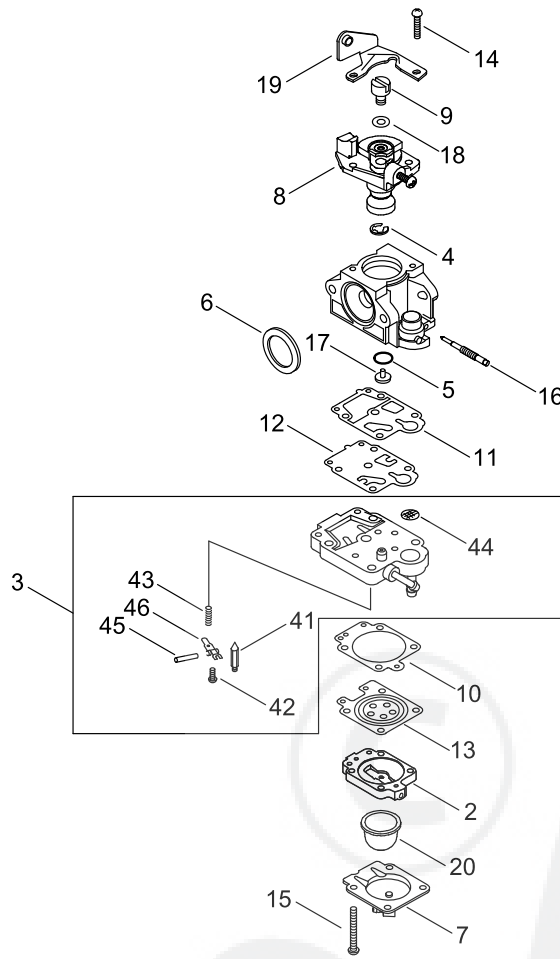


NYLON LINE CUTTER

Key No.	LV (+)	Part No	Description	Qty	Standard
1		X047-000492	CUTTER,ASM LINE	1	SF375-7LH
2	+	E415-000091	KNOB,REGULATOR	1	
3	+	X470-000181	DRUM,REEL	1	
4	+	X475-000050	EYELETS	2	
5	+	X476-000021	HUB,REEL	1	
6	+	X473-000011	REEL,CORD	1	
7	+	V494-000280	SPRING CAP	1	
8	+	V450-000871	SPRING,COMPRESSION	1	
9	+	X472-000012	LID,DRUM	1	
10	+	X471-000070	SHAFT,CORD	1	7MM X 1.0LH
11	+	X474-000110	CORD	1	



CARBURETOR



CARBURETOR

Key No.	LV (+)	Part No	Description	Qty	Standard
		A021-003310	CARBURETOR, DIAPHRAGM	1	WYK-353
2	+	P003-003980	BODY, AIR PURGE	1	
3	+	P003-004150	BODY ASSEMBLY, PUMP	1	T242
41	++	123137-19830	VALVE, INLET NEEDLE	1	
42	++	123139-05560	SCREW, M. LEVER PIN	1	
43	++	123122-05560	SPRING, METER. LEVER	1	
44	++	123126-10631	SCREEN, INLET	1	
45	++	123138-03930	PIN, METERING LEVER	1	
46	++	123123-03930	LEVER, METERING	1	
4	+	123173-07930	CLIP	1	
5	+	123183-40630	O-RING	1	
6	+	123143-12110	RING, PACKING	1	
7	+	123142-05560	COVER, PRIMER PUMP	1	
8	+	P003-004160	VALVE ASY, THROTTLE	1	T242
9	+	123172-45130	SWIVEL	1	
10	+	123140-05560	GASKET, M. DIAPHRAGM	1	
11	+	P003-004100	GASKET, PUMP	1	
12	+	123112-40630	DIAPHRAGM, PUMP	1	
13	+	P003-001850	DIAPHRAGM, METERING	1	
14	+	123114-40630	SCREW	2	
15	+	123110-05560	SCREW, PUMP COVER	4	
16	+	P003-004110	NEEDLE	1	
17	+	P003-004120	JET	1	
18	+	123149-54230	WASHER	1	
19	+	123128-54230	BRACKET, IDLE ADJUST	1	
20	+	123181-40630	PUMP, PRIMER	1	

NUMERICAL PARTS INDEX

Part No	Part description	Page	Part No	Part description	Page	Part No	Part description	Page
100015-04630	CIRCLIP, PISTON PIN	6	900701-00010	CIRCLIP 10	4	A244-000120	BACK PLATE	12
123110-05560	SCREW, PUMP COVER	30	900702-00026	CIRCLIP 26	4	A310-000170	SCREEN	2
123112-40630	DIAPHRAGM, PUMP	30	900702-00040	CIRCLIP 40	4	A313-001230	TAIL PLATE	2
123114-40630	SCREW	30	900800-00609	BEARING	18	A313-001660	GUIDE, EXHAUST	2
123122-05560	SPRING, METER. LEVER	30	900800-06000	BEARING, BALL 6000	18	A320-000870	COVER,MUFFLER	4
123123-03930	LEVER, METERING	30	900800-36001	BEARING, BALL 6001	4	A350-000972	TANK, FUEL	14
123126-10631	SCREEN, INLET	30	900802-06000	BEARING, BALL 6000	4	A356-000040	VALVE	14
123128-54230	BRACKET, IDLE ADJUST	30	900804-00609	BEARING	18	A365-000060	CONNECTOR,CAP	14
123137-19830	VALVE, INLET NEEDLE	30	900810-00626	BEARING, BALL 626	18	A369-000001	STRAINER, FUEL	14
123138-03930	PIN, METERING LEVER	30	91030-06010	BOLT	18	A409-001060	ROTOR, MAGNETO	8
123139-05560	SCREW, M. LEVER PIN	30	91109-05055	BOLT	2	A411-001150	COIL, IGNITION	8
123140-05560	GASKET, M. DIAPHRAGM	30	91109-05060	BOLT	12	A413-000000	PROTECTOR	4
123142-05560	COVER, PRIMER PUMP	30	91122-05016	BOLT	22	A425-000000	SPARKPLUG	8
123143-12110	RING, PACKING	30	91122-05022	BOLT	4	A426-000010	TERMINAL,SPARKPLUG	8
123149-54230	WASHER	30	91335-05022	SCREW	20	A427-000060	CAP,SPARK PLUG	8
123172-45130	SWIVEL	30	91439-04012	SCREW,TRUSS,T	12	A429-000090	COVER,CAP	8
123173-07930	CLIP	30	91570-04006	SCREW PM	18	A500-001361	CASE,STARTER	10
123181-40630	PUMP, PRIMER	30	91578-04016	SCREW PM	16	A553-000060	CLUTCH SHOE	6
123183-40630	O-RING	30	92017-05000	NUT	20	A556-001300	CLUTCH DRUM	4
130110-54430	PIPE, IMPULSE	14	92423-09000	SNAP RING	18	A557-000040	BOLT	6
131016-55830	GASKET, FUEL CAP	14	92424-24000	SNAP RING	18	A566-000050	COIL SPRING	6
132010-49730	PIPE 3*6*85	14	92424-26000	SNAP RING	18	A575-000470	FIXTURE, MAIN PIPE	4
132115-55930	GROMMET, FUEL	14	93115-03010	KEY	8	C044-001242	CONTROL, THROTTLE	20
177220-42030	SPRING, REWIND	10	A011-000700	CRANK SHAFT	6	C050-002080	OUTER PIPE SUB ASSY	16
177228-27030	GRIP, STARTER	10	A021-003310	CARBURETOR, DIAPHRAGM	12	C062-000330	STRAP ASSY	26
177236-61830	SCREW	10	A021-003310	CARBURETOR, DIAPHRAGM	30	C063-000000	HANGER ASSY	16
177246-11120	CLIP, STARTER ROPE	10	A023-000290	CASE,CLEANER	12	C401-000100	BODY RIGHT	20
437210-30830	PIPE, OIL	14	A051-002840	STARTER,RECOIL ASY	10	C401-000111	PIECE,HANDLE	20
890617-43130	LABEL,CAUTION	16	A052-000180	PULLEY,ASM STARTER	10	C403-000210	GRIP	20
900105-05010	BOLT, H.S. 5*10	18	A056-000260	CLUTCH SHOE ASSY	6	C423-000440	BRACKET	20
900105-05016	BOLT, H.S. 5*16	2	A101-000290	PISTON RING	6	C423-000450	LOWER CAP	20
900105-05025	BOLT, H.S. 5*25	4	A120-000130	CRANK CASE M	4	C423-000520	UPPER CAP	20
900106-05012	BOLT, H.S. 5*12	2	A120-000140	CRANK CASE S	4	C450-000581	CONTROL, THROTTLE	20
900162-05018	BOLT, H.S. 5*18	4	A130-001710	CYLINDER	2	C460-000241	LOCKOUT, THROTTLE	20
900162-05018	BOLT, H.S. 5*18	14	A160-002280	COVER,CYLINDER	4	C501-000010	BUSH	16
900162-05030	BOLT, H.S. 5*30	2	A172-001700	COVER,FAN	4	C504-000500	MAIN SHAFT	16
900162-05040	BOLT, H.S. 5*40	14	A175-000080	TANK GUARD	14	C534-000530	GEAR SHAFT	18
900283-04008	SCREW 4*8	2	A200-000910	INSULATOR, INTAKE	2	C535-000600	BOLT GUARD	18
900330-40080	PIN F 4*8	4	A209-000460	PLATE, INSULATOR	12	C535-000820	HOLDER	18
900500-00004	NUT	16	A226-001390	ELEMENT, AIR FILTER	12	C535-000830	HOLDER	18
900500-00005	NUT 5	18	A232-000630	CLEANER COVER	12	C550-000430	GUARD	22
900502-00006	NUT 6 (3N)	20	A232-000640	CLEANER COVER ASSY	12	C551-000050	LOWER CLAMP	18
900600-00006	WASHER	18	A242-000140	CHOKE LEVER	12	C551-000060	UPPER CLAMP	22
900603-00005	WASHER 5	18	A243-000280	SHUTTER, CHOKE	12	C554-000040	CUTTER	22
900604-00005	WASHER 5 SUS	2				C644-000080	PROTECTOR	26

NUMERICAL PARTS INDEX

Part No	Part description	Page	Part No	Part description	Page	Part No	Part description	Page
C645-000010	CUSHION HARNESS	26	V252-000360	SCREW TAPPING	20	X508-000300	LABEL DECIBEL	16
C649-000150	HOOK	26	V262-000100	NUT	20	X524-002380	HANDLE LABEL	16
C670-000060	HANGER	16	V263-000130	NUT	22	X602-000120	TOOL,WRENCH	24
E415-000091	KNOB,REGULATOR	28	V265-000140	NUT	8	X605-000100	TOOL,L WRENCH	24
P003-001850	DIAPHRAGM, METERING	30	V299-000340	KNOB	12	X626-000010	TOOL,SCRAPER	24
P003-003980	BODY, AIR PURGE	30	V304-000150	WASHER	6	X690-000080	GOGGLE	24
P003-004100	GASKET, PUMP	30	V306-000250	THRUST WASHER	6	X705-000100	BAG,PACKING	24
P003-004110	NEEDLE	30	V322-000040	INSULATOR	8			
P003-004120	JET	30	V323-000080	COLLAR	12			
P003-004150	BODY ASSEMBLY, PUMP	30	V346-000040	SPRING PLATE	6			
P003-004160	VALVE ASY,THROTTLE	30	V346-000050	WASHER,WAVE	12			
P021-024921	BRACKET ASSY	20	V356-000480	COLLAR	18			
P021-025400	GEAR CASE SUB ASSY	18	V363-000110	COLLAR	16			
P021-028441	GUARD SET	22	V375-000340	SPACER	22			
P021-028451	SUB GUARD ASSY	22	V420-002220	TANK CUSHION	14			
P021-034750	BLADE COVER	24	V420-002340	PROTECTOR	16			
P021-035650	CRANK CASE S COMP	4	V450-000871	SPRING,COMPRESSION	28			
P021-035660	CRANK CASE M COMP	4	V450-001020	COIL SPRING	20			
P021-035670	PISTON KIT	6	V452-000690	COIL SPRING	20			
P021-035680	FUEL CAP ASY	14	V475-006600	TUBE	8			
P021-035702	FAN COVER-A	4	V485-002470	LEAD	8			
P021-037641	MUFFLER ASY	2	V490-001230	CLIP	14			
P021-038460	HANDLE SUB ASSY	20	V490-001240	CLIP	14			
P022-002100	E-RING	10	V494-000280	SPRING CAP	28			
P022-006510	SPRING, RETURN	10	V495-001330	CLAMP	16			
P022-006850	PAWL, STARTER	10	V505-000070	OIL SEAL	4			
P022-008260	ROPE	10	V505-000080	OIL SEAL	4			
P022-008270	SPRING,DAMPER	10	V509-000000	OIL SEAL	18			
P022-027980	DRUM, STARTER	10	V553-000080	NEEDLE BEARING	6			
P022-028000	PLATE, CAM	10	V606-000000	PIN,ENG 8	6			
V043-000630	CABLE ASY, CONTROL	20	V651-000380	PINION	18			
V100-000610	GASKET,CYL	2	V651-000390	BEVEL GEAR	18			
V103-000660	GASKET	2	X047-000492	CUTTER,ASM LINE	24			
V103-001060	GASKET	12	X047-000492	CUTTER,ASM LINE	28			
V104-001090	GASKET MUFFLER	2	X470-000181	DRUM,REEL	28			
V104-001100	GASKET	2	X471-000070	SHAFT,CORD	28			
V162-000410	PLUG	20	X472-000012	LID,DRUM	28			
V202-000200	BOLT	4	X473-000011	REEL,CORD	28			
V202-000200	BOLT	10	X474-000110	CORD	28			
V202-000480	BOLT ADHESIVE	8	X475-000050	EYELETS	28			
V203-000530	BOLT SW	18	X476-000021	HUB,REEL	28			
V203-000611	BOLT,5	22	X504-007680	LABEL,BRAND	10			
V203-000631	BOLT,5	20	X504-007720	LABEL,BRAND	4			
V216-000060	BOLT SW	18	X505-002310	LABEL,CAUTION	4			
V252-000090	SCREW	20	X505-002900	LABEL CAUTION	16			