



- GB ENGLISH
- FR FRANÇAIS
- DE DEUTSCH
- IT ITALIANO
- ES ESPAÑOL

# OPERATOR'S MANUAL MANUEL D'UTILISATION BEDIENUNGSANLEITUNG MANUALE PER L'OPERATORE MANUAL DE INSTRUCCIONES MTA-LE/E

## WARNING



READ THE INSTRUCTIONS CAREFULLY AND FOLLOW THE RULES FOR SAFE OPERATION. FAILURE TO DO SO COULD RESULT IN SERIOUS INJURY.

## AVERTISSEMENT



LIRE ATTENTIVEMENT LES INSTRUCTIONS ET SUIVRE LES RÈGLES DE SÉCURITÉ. LE NON-RESPECT DES RÈGLES DE SÉCURITÉ ENTRAÎNE UN RISQUE DE BLESSURE GRAVE.

## WARNUNG



LESEN SIE DIE BEDIENUNGSANLEITUNG SORGFÄLTIG DURCH, UND BEFOLGEN SIE DIE SICHERHEITSREGELN. ANDERNFALLS BESTEHT DAS RISIKO SCHWERER VERLETZUNGEN.

## AVVERTENZA



LEGGERE E SEGUIRE ATTENTAMENTE LE ISTRUZIONI PER LAVORARE IN CONDIZIONI DI MASSIMA SICUREZZA. LA MANCATA OSSERVANZA DELLE ISTRUZIONI POTREBBE PROVOCARE LESIONI GRAVI.

## ADVERTENCIA



LEA ATENTAMENTE LAS INSTRUCCIONES Y SIGA LAS INDICACIONES PARA UN FUNCIONAMIENTO SEGURO. DE NO HACERLO, PODRÍA SUFRIR LESIONES GRAVES.







ENGLISH  
GB (Original instructions)

# OPERATOR'S MANUAL

## Pro Edge Attachment MTA-LE/E

### WARNING



READ THE INSTRUCTIONS CAREFULLY AND FOLLOW THE RULES FOR SAFE OPERATION.  
FAILURE TO DO SO COULD RESULT IN SERIOUS INJURY.



# Important information

---

**Please ensure that you read the operator's manual before using your product.**

## ○ Introduction

- ◆ This product was designed and manufactured to provide long life and on-the-job dependability. Read and understand this manual you found in the package. You will find it easy to use and full of helpful operating tips and SAFETY messages.

## ○ Users of the product

- ◆ You should not use this product until you have read the operator's manual carefully and fully absorbed its content.
- ◆ This product should not be used by anyone who has failed to read the operator's manual properly, is suffering from a cold, tiredness or otherwise in poor physical condition, or children.
- ◆ Keep in mind that the operator or user is responsible for accidents or hazards occurring to other people or their property.

## ○ About your operator's manual

- ◆ This manual contains necessary information about the assembly, operation, and maintenance of your product. Please read it carefully and absorb its contents.
- ◆ Always keep your manual in a place where it is readily accessible.
- ◆ If you have lost your manual or it is damaged and no longer readable, please purchase a new one from your dealer.
- ◆ The units used in this manual are SI units (International System of Units). Figures in parentheses are reference values, and there may be a slight conversion error in some cases.

## ○ Loaning or assigning your product

- ◆ When loaning the product described in this manual to another party, ensure that the person borrowing and working with the product receives the operator's manual along with the product. If you assign your product to another party, please enclose the operator's manual with the product when handing it over.

## ○ Enquiries

- ◆ Please contact your dealer for requests regarding information about your product, the purchase of consumables, repairs, and other such enquiries.

## ○ Notices

- ◆ The content of this manual may be changed without notice for the purpose of upgrades to the product. Some of the illustrations used may differ from the product itself in order to make the explanations clearer.
- ◆ This product requires the assembly of some parts.
- ◆ Please consult your dealer if anything is unclear or of concern.

## **IMPORTANT**

**This attachment is designed for use with the PAS-2620ES power source. Use of this attachment with any other product will cause premature gear case failure and void the warranty.**

## **WARNING**

**Read rules for safe operation and instructions carefully. YAMABIKO provides an Operator's Manual with your original PAS-2620ES. That manual and this manual must be read and understood for proper and safe operation, otherwise serious personal injury may result.**

## **Manufacturer:**

**YAMABIKO CORPORATION**

**1-7-2 Suehirocho, Ohme, Tokyo 198-8760, JAPAN**

## **Authorized Representative in Europe:**

**CERTIFICATION EXPERTS B.V.**

**P.O. box 5047, Merwedeweg 2, 3621 LR Breukelen, The Netherlands**

# Contents

---

For safe use of your product.....	4
Warning notices .....	4
Other indicators .....	4
Symbols.....	4
Location in which a safety decal is attached.....	5
Handling the product .....	6
Description.....	9
Before you start .....	10
Packing list .....	10
Assembly .....	10
Operation .....	12
Maintenance and care .....	13
Servicing guidelines.....	13
Maintenance and care .....	13
Storage .....	15
Specifications.....	16
Declaration of conformity .....	17

# For safe use of your product

## Be careful to read this section before using your product.




○ The precautions described in this section contain important safety information. Please observe them carefully.

○ You must also read the precautions that appear in the body of the manual itself.

Text following a [diamond mark] mark describes the potential consequences of failing to observe the precaution.


## Warning notices

Situations where there is a risk of physical injury to the operator and other people are indicated in this manual and on the product itself by the following warning notices. Always read and observe them carefully in order to ensure safe operation.

 <b>DANGER</b>	 <b>WARNING</b>	 <b>CAUTION</b>
This symbol accompanied by the word " <b>DANGER</b> " calls attentions to an act or a condition which will lead to serious personal injury or death of operators and bystanders.	This symbol accompanied by the word " <b>WARNING</b> " calls attentions to an act or a condition which can lead to serious personal injury or death of operators and bystanders.	" <b>CAUTION</b> " indicates a potentially hazardous situation which, if not avoided, may result in minor or moderate injury.


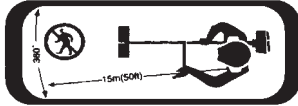






## Other indicators

As well as warning notices, this manual uses the following explanatory symbols:

	Circle and slash symbol means whatever is shown is prohibited.	<b>NOTE</b>	This enclosed message provides tips for use, care and maintenance of the product.	<b>IMPORTANT</b>	Framed text featuring the word " <b>IMPORTANT</b> " contains important information about the use, checking, maintenance and storage of the product described in this manual.
---	--	-------------	---	------------------	--

## Symbols

In this manual and on the product itself, a series of explanatory symbols is used. Please make sure that you fully understand what each symbol means.

Symbol form/shape	Symbol description/application	Symbol form/shape	Symbol description/application
	Carefully read the operator's manual		Keep bystanders away 15 m
	Wear eyes, ears and head protection		Beware of high-temperature areas
	Wear foot protection and gloves		Keep feet away from blade
	Thrown objects		Beware of electric shocks

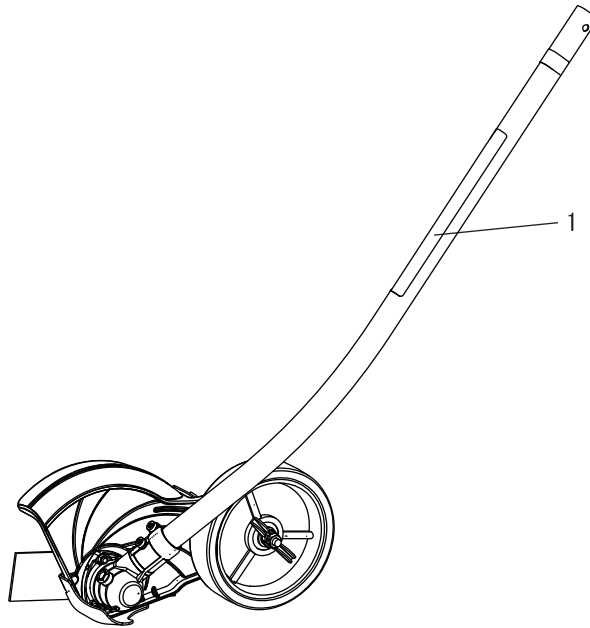
# For safe use of your product

## Location in which a safety decal is attached

- The safety decal shown below has been attached to the products described in this manual. Ensure that you understand what the decal means before using your product.
- If the decal becomes unreadable due to wear and tear or damage, or peels off and is lost, please purchase a replacement decal from your dealer and attach it in the location shown in the illustrations below. Ensure that the decal is readable at all times.



1. Safety decal (Part number 890160-25560)



# For safe use of your product

## Handling the product General precautions

### WARNING

#### Operator's manual

- Be careful to read the operator's manual properly before using your product in order to ensure correct operation.
- ◆ Failure to do so could lead to an accident or serious injury.



#### Do not use the product for anything other than its intended purpose

- You must not use the product for any purpose other than those described in the operator's manual.
- ◆ To do so could lead to an accident or serious injury.

#### Do not modify the product

- You must not modify the product.
- ◆ To do so could lead to an accident or serious injury. Any malfunction resulting from a modification to the product will not be covered by the manufacturer's warranty.

#### Do not use the product unless it has been checked and maintained

- You must not use the product unless it has been checked and maintained. Always ensure that the product is checked and maintained on a regular basis.
- ◆ Failure to do so could lead to an accident or serious injury.

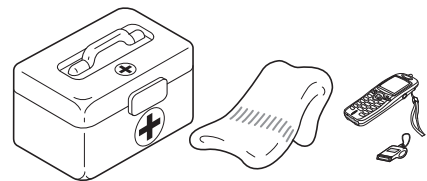
#### Loaning or assigning your product

- When loaning your product to another party, ensure that the person borrowing the product receives the operator's manual along with it.
- If you assign your product to another party, please enclose the operator's manual with the product when handing it over.
- ◆ Failure to do so could lead to an accident or serious injury.

#### Being prepared in case of an injury

In the unlikely event of an accident or injury, please ensure that you are prepared.

- First aid kit
- Towels and wipes (to stop any bleeding)
- Whistle or mobile phone (for calling outside help)
- ◆ If you are unable to perform first aid or call for outside help, the injury could worsen.



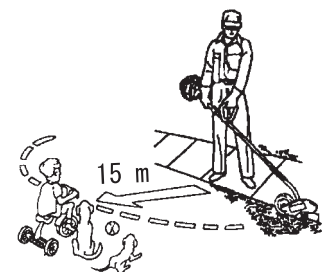
## Precautions for use

### WARNING

#### The area within a 15 m radius is a danger zone

The area within a 15 m radius of the product is a danger zone. Be careful to observe the following precautions while working with the product.

- Do not allow children and other people or pets to enter the danger zone.
- If another person enters the danger zone, turn off the engine to stop the blade
- When approaching the operator, signal to him by, for example, throwing twigs from outside the danger zone, and then check that engine has been switched off and the blade has stopped moving.
- Do not allow anyone to hold the material you are cutting.
- ◆ Any contact with the cutter blade could cause serious injury.



#### Avoid hot surfaces

During operation, the complete unit, especially the drive shaft housing, power head, muffler area and gear box may become very hot, too hot to touch. Avoid contact during and immediately after operation.

- ◆ You could burn yourself if you touch a high temperature component.





# For safe use of your product

## **WARNING**

### Users of the product

The product should not be used by:

- people who are tired
- people who have taken alcohol
- people who are on medication
- people who are pregnant
- people who are in poor physical condition
- people who have not read the operator's manual
- children

◆ Failure to observe these instructions could lead to an accident.



### Environment of use and operation

- Do not use the product in places where there is no sure foothold, such as on steep slopes or after rainfall, as such places are slippery and dangerous.
- Do not operate the product at night or in dark places with poor visibility.
- Do not work in odd positions or on ladders. Do not over reach.
- ◆ A serious injury could result if you fall or slip, or fail to operate the product correctly.
- For your own health and your safe and comfortable work, operate the machine within the air temperature range of -5 °C to 40 °C.
- ◆ Failure to observe these instructions could result in damage to your health.

### Turn off the engine when moving around

When moving around in the situations described below, turn off the engine.

- Moving to the place where you are working
- Moving to another area while you are working
- Leaving the place where you have been working
- ◆ Failure to observe these precautions could cause burns or serious injury.
- When transporting the product by car, empty the fuel tank, and secure the product firmly in place to prevent it from moving around.
- ◆ Travelling by car with fuel in the tank could lead to a fire.

### Keep a firm grip

- Hold the front and rear handles with both hands with thumbs and fingers tightly encircling the handles.
- ◆ Failure to observe these instructions could lead to an accident.



### Vibration and cold

It is believed that a condition called Raynaud's Phenomenon which affects the fingers of certain individuals may be brought about by exposure to vibration and cold. Exposure to vibration and cold may cause tingling and burning, followed by loss of colour and numbness in the fingers.

The following precautions are strongly recommended because the minimum exposure which might trigger the ailment is unknown.

- Keep your body warm, especially the head and neck, feet and ankles, and hands and wrists.
- Maintain good blood circulation by performing vigorous arm exercises during frequent work breaks, and also by not smoking.
- Limit the number of hours of operation.  
Try to fill each day with jobs where operating the trimmer or other hand-held power equipment is not required.
- If you experience discomfort redness and swelling of the fingers, followed by whitening and loss of feeling, consult your physician before exposing yourself further to cold and vibration.
- ◆ Failure to observe these instructions could result in damage to your health.

# For safe use of your product

## WARNING

### Repetitive stress injuries

It is believed that **over-using** the muscles and tendons of the fingers, hands, arms and shoulders may cause soreness, swelling, numbness, weakness and extreme pain to the areas just mentioned. Certain repetitive hand activities may put you at a high risk for developing a repetitive stress injury (RSI).

To reduce the risk of RSI, do the following:

- Avoid using your wrist in a bent, extended or twisted position.
- Take periodic breaks to minimize repetition and rest your hands. Reduce the speed and force in which you do the repetitive movement.
- Do exercises to strengthen hand and arm muscles.
- See a doctor if you feel tingling, numbness or pain in your fingers, hands, wrists or arms. The sooner RSI is diagnosed, the more likely permanent nerve and muscle damage can be prevented.
- ◆ Failure to observe these instructions could result in damage to your health.

### **Proper training**

**Do not permit operation without proper training and protective equipment.**

Be thoroughly familiar with the controls and proper use of unit.

Know how to stop the unit and shut off the engine.

Never allow anyone to use the unit without proper instruction.

### **Protective gear**

## WARNING

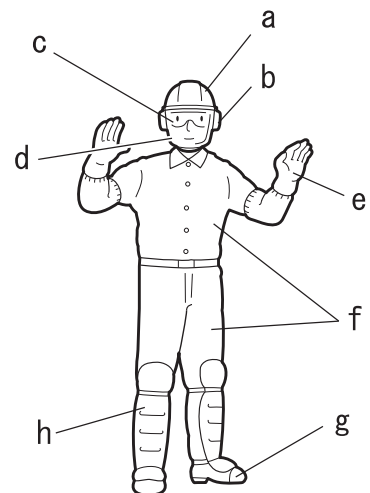
### Wear protective gear

**Always wear the following protective gear.**

- a Head protection (helmet):** Protects the head
  - b Ear muffs or ear plugs:** Protect the hearing
  - c Safety goggles:** Protect the eyes
  - d Face shield:** Protects the face
  - e Safety gloves:** Protect the hands from cold and vibration
  - f Work clothes that fit (long sleeves, long trousers):** Protect the body
  - g Heavy duty, non-slip protective boots (with toecaps) or non-slip work shoes (with toecaps):** Protect the feet
  - h Shin guards:** Protect the legs
- ◆ Failure to observe these precautions could result in damage to your sight or hearing, or lead to a serious injury.

**When necessary, please use the protective gear below.**

- **Dust mask:** Protects the breathing apparatus
- **Bee net:** To deal with attacks by bees

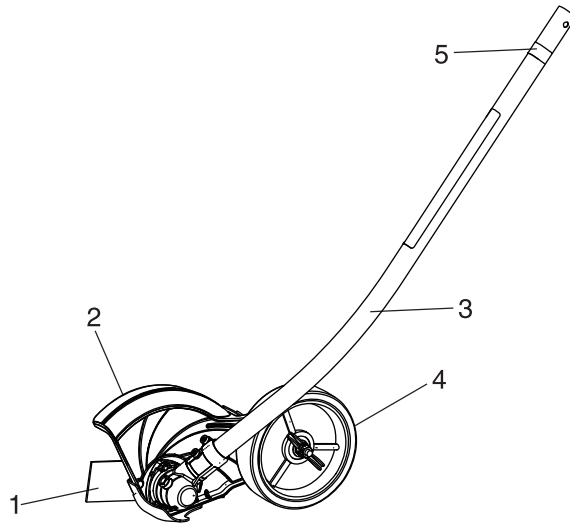


### Wear proper clothing.

**Do not wear ties, jewellery, or loose, dangling clothing which could be caught in the unit. Do not wear open toed footwear, or go bare-foot or barelegged. In certain situations, total face and head protection may be required.**

- ◆ Failure to observe these precautions could result in damage to your sight or hearing, or lead to a serious injury.



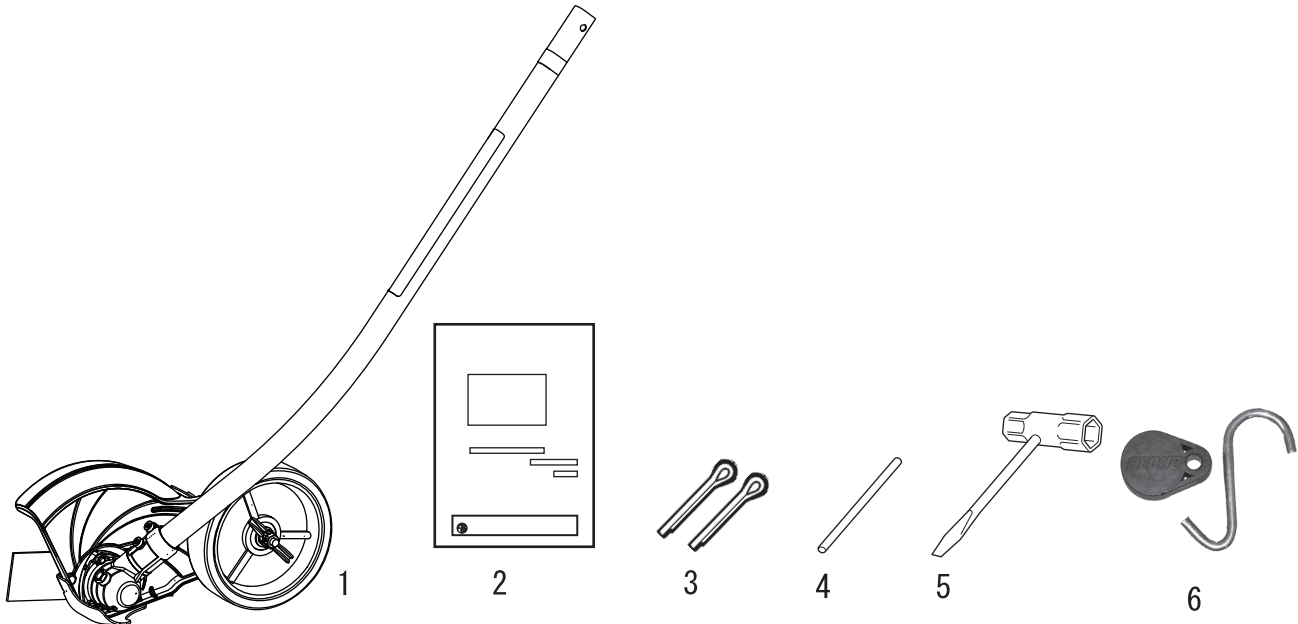


1. **Blade** Rotates to provide cutting action.
2. **Debris shield/flap** Mounted over the cutting attachment. Helps protect operator by deflecting debris produced during the edging operation.
3. **Drive shaft assembly** Contains a specially designed liner and the flexible drive shaft.
4. **Wheel** Adjustable up/down, sets depth of blade.
5. **Type and serial number**

# Before you start

## Packing list

- The following parts are packed separately in the packing box.
- When you have unpacked the box, please check the parts that it contains.
- Contact your dealer if anything is missing or broken.



1. Power edger attachment
2. Operator's manual
3. Split pins

4. Locking Tool
5. Socket wrench
6. Storage hook assembly

## Assembly

### **WARNING**

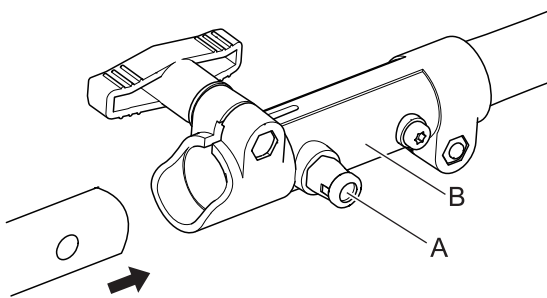
**Read the operator's manual carefully to ensure that you assemble the product correctly.**

- ◆ Using a product that has been incorrectly assembled could lead to an accident or serious injury.

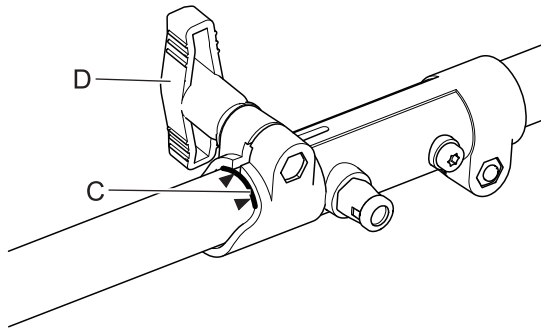


### **Power head shaft/lower shaft assembly**

1. Set power head/shaft assembly on a level surface.
2. Pull locator pin (A) out, and turn anticlockwise 1/4 turn to lockout position.
3. Remove vinyl cap from attachment drive shaft.



# Before you start



4. Carefully fit attachment drive shaft assembly into coupler (B) to decal assembly line (C), making sure that the inner lower drive shaft engages into the square upper drive shaft socket.

## NOTE

Lower bearing housing and head assembly must be in line with the power source.

5. Rotate locator pin (A) 1/4 turn clockwise to engage lower shaft hole. Insure locator pin is fully engaged by twisting lower drive shaft. Locator pin should snap flush in coupler. Full engagement will prevent further shaft rotation.
6. Secure lower shaft assembly to coupler by tightening clamping knob (D).
7. To disassemble, reverse assembly instructions.

# Operation

Before operation a complete check of the unit must be performed;

- Check unit for loose/missing nuts, bolts and screws. Tighten and/or replace as needed.
- Inspect shield for damage and is securely in place. Replace if shield is damaged or missing.
- Check that the blade is firmly attached and in safe operating condition. Dull, loose or damaged blade should not be used.

## NOTE

Refer to your power source Operator's Manual for correct engine fueling, starting and stopping instructions.



## Operating Techniques

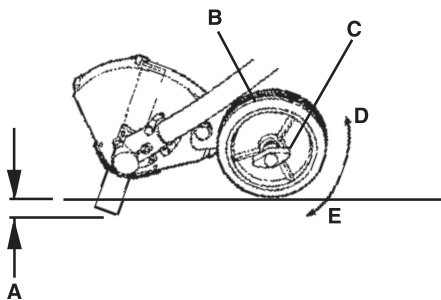
1. Before edging, water the area to soften the ground to make edging easier.
2. Before edging, check the area and remove all obstacles and objects that could be thrown.
3. Plan to edge regularly to make it easier to keep a neat edge and to avoid having to make more than one pass.

## NOTE

Blade depth may have to be adjusted due to differences in height between the hard surface and the top of the grass.

## WARNING

Never adjust blade height with engine running, otherwise serious personal injury may result.



- A: 13 mm  
B: Wheel  
C: Adjustment knob  
D: Increase depth  
E: Decrease depth

4. Adjust the blade's depth of cut to produce a fine cut between sidewalk and grass using a minimum blade depth, usually with about 13 mm of the blade into the ground.
5. Before edging, plan your direction of travel so that the unit will always be positioned on your right side and so that you walk on a hard surface whenever possible.
6. Hold edger as shown.
7. When starting to edge, run the engine at full throttle, and lower the blade gently into the ground, being careful not to hit the concrete with the blade.
8. Don't force the blade. Only move forward as the blade will allow.

## WARNING

Before edging, be sure to read and understand the entire Operator's Manual to avoid the chance of serious injury.

## WARNING

The complete unit, specifically the drive shaft assembly and muffler exhaust area may become very hot during use. Avoid contact during and immediately after operation, otherwise serious personal injury may result.

# Maintenance and care

## WARNING

Moving parts can amputate fingers or cause severe injuries. Keep hands, clothing and loose objects away from all openings. Always stop engine, disconnect the spark plug wire, and make sure all moving parts have come to a complete stop before removing obstructions, clearing debris, or servicing unit. Allow unit to cool before performing service. Wear gloves to protect hands from sharp edges and hot surfaces.

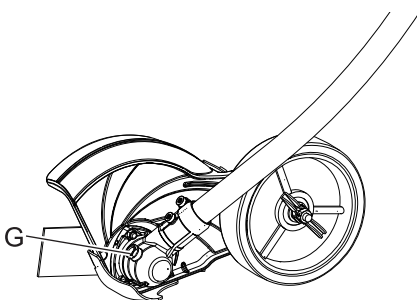
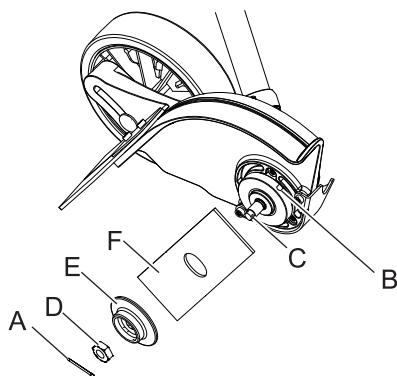
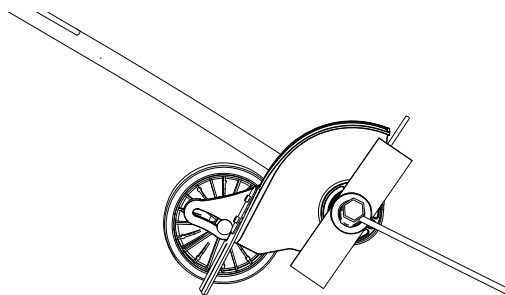
### Servicing guidelines

Area	Maintenance	Frequency
Drive shaft	Grease	Every 25 hours of use
Gear Housing	Grease	Every 15-25 hours of use
Screws, bolts and nuts	Inspect, Tighten/Replace	Before each use

### Maintenance and care

If you have any questions or problems, please contact your dealer.

#### Blade replacemnt/lubrication



#### Gear case

### NOTE

Grease gear case every 15 - 25 hours of use. Replace blade when it is worn shorter than 6 in. Remove blade and holders before greasing to prevent damage to gear and bearings.

1. Turn off the engine.
2. Remove split pin (A).
3. Rotate blade until holes in inner blade adapter (B) and gear box align. Insert locking tool to lock PTO shaft (C).

### NOTE

Shield cover not shown for illustration clarity.

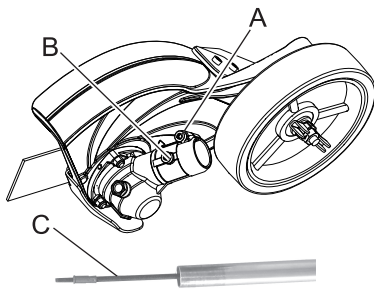
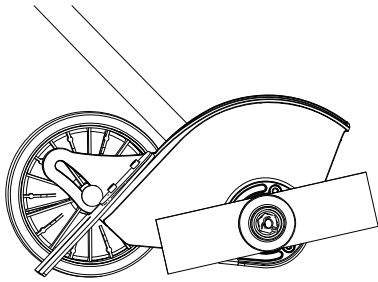
### NOTE

Blade nut (D) is left hand thread.

4. Remove blade nut (D) in a clockwise direction using srench. Remove outer blade adapter (E), blade (F) and inner blade adapter (B).
5. Remove plug (G) and fill gear case with grease. Install plug.
6. Install inner blade adapter (B) onto PTO shaft (C).
7. Install and center new blade (F) onto inner adapter (B).
8. Install outer adapter (E) and nut (D). Tighten nut (D) firmly, anticlockwise.

# Maintenance and care

---



## IMPORTANT

Never reuse old split pin.

9. Install new split pin (A) to secure nut.

## Drive shaft (lower)

## IMPORTANT

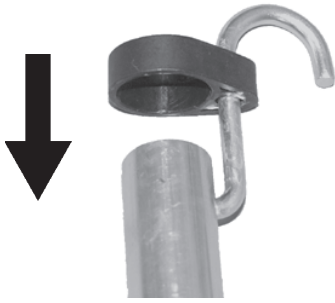
Lower and upper drive shaft must be lubricated with high temperature automotive grease every 25 hours of operation, otherwise drive shaft assembly overheating and failure can result.

1. Loosen clamping bolt on gear case (A) and remove locating screw (B). Pull gear box and shield from drive shaft housing.
2. Pull flexible cable (C) from the drive shaft housing, wipe clean and re-coat with a thin coating 15 ml of high temperature grease.
3. Slide the flexible cable (C) back in the drive housing. Do not get dirt on the flex cable.
4. Install the gear housing and shield assembly.



## Storage hook installation

1. Insert small end of hook into locating hole on attachment shaft.
2. Slide plastic cap onto end of attachment shaft.



# Specifications

		MTA-LE/E
<b>External dimensions:</b> Length × Width × Height	mm	787 × 235 × 299
<b>Mass:</b> Unit without cutting attachment	kg	2.4
<b>Cutting attachment:</b> Specified blade diameter Specified blade width Specified blade thickness Number of cutting teeth Blade center hole diameter Maximum rotational frequency of the spindle	mm mm mm  mm r/min	197 51 2.3 2 25.4 5750
<b>Gear Ratio:</b> Reduction ratio Lubrication		2.07 Good quality lithium grease
<b>Rotational direction of out shaft seen from right side</b>		Clockwise
<b>Vibration levels:</b> (ISO 22867) $a_{hv,eq}$ Front handle Rear handle Uncertainty : (K)	$m/s^2$ $m/s^2$ $m/s^2$	2.6 4.3 3.4
<b>Sound pressure level:</b> (ISO 22868) $L_{pAeq}$ Uncertainty : ( $K_{pA}$ )	$dB(A)$ $dB(A)$	92.5 2.5
<b>Sound power level:</b> (ISO 22868) $L_{WARa}$ Uncertainty : ( $K_{WA}$ )	$dB(A)$ $dB(A)$	106.3 2.5
Applicable models		PAS-2620ES

These specifications are subject to change without notice.

# Declaration of conformity

---

The undersigned manufacturer:

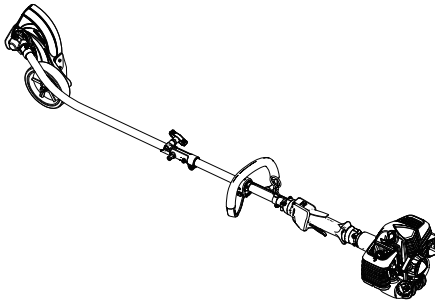
YAMABIKO CORPORATION  
1-7-2 Suehirocho  
Ohme, Tokyo 198-8760  
JAPAN

This declaration of conformity is issued under the sole responsibility of the manufacturer.

declares that the hereunder specified new unit:

## PRO ATTACHMENT SERIES

**Brand: ECHO**  
**Type: PAS-2620ES + MTA-LE/E**



assembled by:

ECHO, INCORPORATED  
400 Oakwood Road  
Lake Zurich, Illinois 60047-1564  
U.S.A.

complies with:

- \* the requirements of Directive **2006/42/EC** (use of harmonized standard **EN ISO 11789: 1999**)
- \* the requirements of Directive **2014/30/EU** (use of harmonized standard **EN ISO 14982: 2009**)
- \* the requirements of Directive **2011/65/EU** (use of harmonized standard **EN 50581: 2012**)
- \* the requirements of Directive **2000/14/EC**

Conformity assessment procedure followed **ANNEX V**

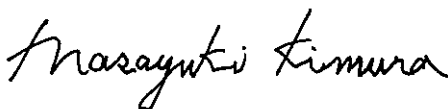
Measured sound power level :106 dB(A)

Guaranteed sound power level :109 dB(A)

Serial Number 35101001 to 35200000

Tokyo, January 1st, 2019

## YAMABIKO CORPORATION



---

**Masayuki Kimura**

**General Manager**  
**Quality Assurance Dept.**

**The authorized representative in Europe who is authorized to compile the technical file.**

Company: CERTIFICATION EXPERTS B.V.  
Address: P.O. box 5047, Merwedeweg 2, 3621 LR Breukelen,  
The Netherlands

**Mr. Richard Glaser**

**YAMABIKO CORPORATION**  
1-7-2 Suehirocho, Ohme, Tokyo 198-8760, JAPAN  
PHONE: 81-428-32-6118. FAX: 81-428-32-6145.



X771209-5202



FRANÇAIS  
FR (Notice originale)

# MANUEL D'UTILISATION

## Outil de taille-bordures professionnel

### MTA-LE/E

#### AVERTISSEMENT



LIRE ATTENTIVEMENT LES INSTRUCTIONS ET SUIVRE LES REGLES DE SECURITE. LE NON-RESPECT DES REGLES DE SECURITE ENTRAINE UN RISQUE DE BLESSURE GRAVE.

# Information importante

---

**Lire attentivement le manuel d'utilisation avant d'utiliser l'appareil pour la première fois.**

## ○ Introduction

- ♦ Ce produit a été conçu et fabriqué pour offrir une grande longévité et une excellente fiabilité d'utilisation. Lisez attentivement ce manuel fourni avec l'appareil. Il est très clair et contient de nombreux conseils d'utilisation et messages de SÉCURITÉ.

## ○ Utilisateurs du produit

- ♦ Lire attentivement ce manuel d'utilisation et intégrer les informations qu'il contient avant d'utiliser l'appareil pour la première fois.
- ♦ Toute personne n'ayant pas lu attentivement ce manuel d'utilisation, enrhumée, fatiguée ou en mauvaise condition physique ne doit pas utiliser ce produit. Ne pas laisser un enfant manipuler le produit.
- ♦ L'utilisateur est tenu pour responsable en cas d'accidents ou de risques pouvant entraîner des accidents corporels ou des dommages matériels.

## ○ À propos du manuel d'utilisation

- ♦ Ce manuel contient les informations nécessaires au montage, à l'utilisation et à l'entretien de l'appareil. L'utilisateur doit donc le lire attentivement et intégrer les informations qu'il contient.
- ♦ Toujours conserver le manuel à portée de main.
- ♦ En cas de perte du manuel ou si ce dernier a été détérioré et n'est plus lisible, s'adresser à un revendeur pour en obtenir un nouveau.
- ♦ Les unités utilisées dans ce manuel sont les unités SI (Système international d'unités). Les chiffres indiqués entre parenthèses sont des valeurs de référence. De légères erreurs de conversion peuvent survenir dans certains cas.

## ○ Prêt ou cession du produit à un tiers

- ♦ Si le produit décrit dans ce manuel est prêté à un tiers, veiller à lui confier également le manuel d'utilisation fourni avec le produit. Si le produit est cédé à un tiers, transmettre le manuel d'utilisation fourni avec le produit lors de la vente.

## ○ Renseignements

- ♦ S'adresser à un revendeur pour toute demande d'informations concernant l'appareil, l'achat de consommables, les réparations ou pour tout autre renseignement.

## ○ Remarques

- ♦ Le constructeur se réserve le droit de modifier sans préavis le contenu de ce manuel en fonction des améliorations apportées au produit. Il se peut que certains des schémas de ce manuel soient différents du produit. Ces différences ont pour objectif de rendre les explications plus claires.
- ♦ Le produit nécessite le montage de certains éléments.
- ♦ En cas de doute, consulter un revendeur.

## **IMPORTANT**

**Cet outil est conçu pour être utilisé avec l'équipement PAS-2620ES. L'utilisation de cet outil avec tout autre produit provoquerait une défaillance prématurée du carter d'engrenage et annulerait la garantie.**

## **AVERTISSEMENT**

**Lire attentivement les instructions et règles de sécurité. YAMABIKO fournit un manuel d'utilisation avec le PAS-2620ES d'origine. Celui-ci, de même que le présent manuel, doit être lu et compris afin de garantir une utilisation correcte et sûre. Dans le cas contraire, il existe un risque d'accidents corporels graves.**

**Fabricant :**

**YAMABIKO CORPORATION**

**1-7-2 Suehirocho, Ohme, Tokyo 198-8760, JAPON**

**Représentant autorisé en Europe :**

**CERTIFICATION EXPERTS B.V.**

**P.O. box 5047, Merwedeweg 2, 3621 LR Breukelen, Pays-Bas**

# Table des matieres

---

Pour utiliser l'appareil en toute sécurité.....	4
Étiquettes et symboles d'avertissement .....	4
Autres indications .....	4
Symboles .....	4
Emplacement de l'étiquette de sécurité .....	5
Manipulation de l'appareil .....	6
Description .....	9
Avant de commencer.....	10
Contenu de l'emballage .....	10
Assemblage .....	10
Fonctionnement .....	12
Entretien .....	13
Instructions d'entretien de l'appareil .....	13
Entretien .....	13
Remisage.....	15
Caractéristiques.....	16
Déclaration de conformité.....	17

# Pour utiliser l'appareil en toute sécurité




## Lire attentivement cette section avant d'utiliser l'appareil pour la première fois.

○ Les mesures de précaution décrites dans cette section contiennent des informations essentielles pour la sécurité. Les suivre scrupuleusement.

○ Il est également nécessaire de prendre connaissance des mesures de précaution exposées tout au long de ce manuel. Le texte précédé d'une puce [en forme de losange] décrit les risques encourus en cas de non-respect d'une mesure de précaution.


## Étiquettes et symboles d'avertissement

Les étiquettes et les symboles d'avertissement dans le manuel et sur l'appareil signalent les situations pouvant entraîner un risque de blessure de l'utilisateur et d'autres personnes. Pour des raisons de sécurité, toujours lire et suivre attentivement les instructions figurant sur ces étiquettes.

 <b>DANGER</b>	 <b>AVERTISSEMENT</b>	 <b>ATTENTION</b>
Ce symbole associé au mot « <b>DANGER</b> » signale une action ou une situation présentant un risque de blessure corporelle grave ou d'accident mortel pour l'utilisateur et les personnes à proximité.	Ce symbole associé au mot « <b>AVERTISSEMENT</b> » signale une action ou une situation présentant un risque de blessure corporelle grave ou d'accident mortel pour l'utilisateur et les personnes à proximité.	« <b>ATTENTION</b> » signale une situation potentiellement dangereuse qui, si elle n'est pas évitée, peut entraîner une blessure légère à modérée.


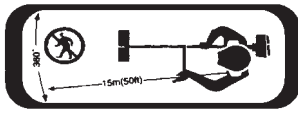






## Autres indications

Outre les étiquettes et les symboles d'avertissement, ce manuel contient les symboles d'explication suivants :

	Le cercle barré indique une interdiction.	<b>REMARQUE</b>	<b>IMPORTANT</b>
		Ce type de message fournit des conseils relatifs à l'utilisation et à l'entretien de l'appareil.	Le texte dans l'encadré où figure le mot « <b>IMPORTANT</b> » donne des informations importantes concernant l'utilisation, la vérification, l'entretien et le remisage de l'appareil décrit dans ce manuel.

## Symboles

De nombreux symboles d'explication sont utilisés dans ce manuel et sur l'appareil lui-même. S'assurer d'avoir bien compris la signification de chacun de ces symboles.

Forme des symboles	Description/application des symboles	Forme des symboles	Description/application des symboles
	Lire attentivement le manuel d'utilisation		Ne laisser personne s'approcher à moins de 15 mètres
	Port obligatoire des lunettes, des protecteurs d'oreilles et du casque		Risque de brûlure
	Port obligatoire des chaussures et des gants de protection		Garder les pieds éloignés de la lame
	Projections		Risque de choc électrique



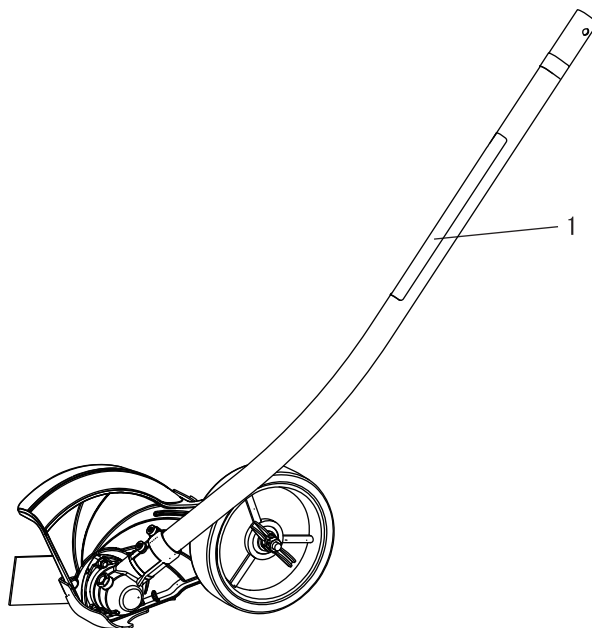
# Pour utiliser l'appareil en toute sécurité

## Emplacement de l'étiquette de sécurité

- L'étiquette de sécurité ci-dessous figure sur les appareils décrits dans ce manuel. S'assurer de bien comprendre la signification de l'étiquette avant d'utiliser l'appareil.
- Si l'étiquette devient illisible avec le temps ou si elle s'est décollée ou a été déchirée, contacter un revendeur pour obtenir une nouvelle étiquette et la coller à l'emplacement indiqué sur les illustrations ci-dessous. L'étiquette doit toujours être lisible.



1. Etiquette de sécurité (numéro de pièce 890160-25560)



# Pour utiliser l'appareil en toute sécurité

## Manipulation de l'appareil Mesures de précaution générales

### **AVERTISSEMENT**

#### Manuel d'utilisation

- Lire attentivement le manuel d'utilisation avant d'utiliser l'appareil pour la première fois afin d'éviter toute erreur d'utilisation.
- ◆ Le non-respect de cette règle de sécurité entraîne un risque d'accident ou de blessure grave.



#### Ne pas détourner l'appareil de son utilisation normale

- Utiliser l'appareil uniquement pour les tâches décrites dans ce manuel d'utilisation.
- ◆ Le non-respect de cette règle de sécurité entraîne un risque d'accident ou de blessure grave.

#### Ne pas modifier l'appareil

- Aucune modification ne doit être apportée à l'appareil.
- ◆ Le non-respect de cette règle de sécurité entraîne un risque d'accident ou de blessure grave. Tout dysfonctionnement dû à une modification de l'appareil n'est pas couvert par la garantie du fabricant.

#### Ne pas utiliser l'appareil avant d'avoir effectué les opérations de vérification et d'entretien nécessaires

- Il ne faut pas utiliser l'appareil avant d'avoir effectué les opérations de vérification et d'entretien nécessaires. Veiller à ce que l'appareil soit vérifié et entretenu régulièrement.
- ◆ Le non-respect de cette règle de sécurité entraîne un risque d'accident ou de blessure grave.

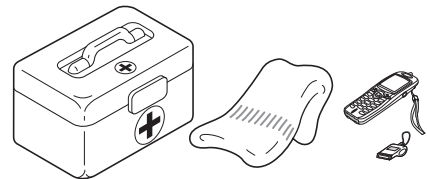
#### Prêt ou cession de l'appareil à un tiers

- Si l'appareil est prêté à un tiers, veiller à lui confier également le manuel d'utilisation fourni avec l'appareil.
- Si l'appareil est cédé à un tiers, transmettre le manuel d'utilisation fourni avec l'appareil lors de la vente.
- ◆ Le non-respect de cette règle de sécurité entraîne un risque d'accident ou de blessure grave.

#### Savoir réagir en cas de blessure

Même si les cas de blessure ou d'accident restent exceptionnels, l'utilisateur doit savoir réagir à ces situations.

- Kit de premiers secours
- Serviettes et lingettes (pour arrêter les saignements)
- Sifflet ou téléphone portable (pour appeler de l'aide)
- ◆ Si l'utilisateur n'est pas capable de prodiguer les premiers soins ou d'appeler à l'aide, la blessure peut s'aggraver.



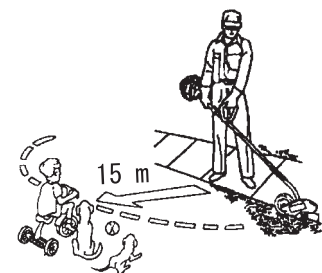
## Précautions d'utilisation

### **AVERTISSEMENT**

#### La zone comprise dans un rayon de 15 mètres autour de l'appareil est une zone dangereuse.

La zone comprise dans un rayon de 15 mètres autour de l'appareil est une zone dangereuse. Veiller à bien respecter les mesures de précaution suivantes lors de l'utilisation de l'appareil.

- Ne laisser personne (enfants, animaux ou autres personnes) pénétrer dans la zone dangereuse.
- Si quelqu'un pénètre dans la zone dangereuse, couper le moteur pour arrêter la lame.
- Lorsqu'une personne s'approche de l'utilisateur, elle doit lui signaler sa présence en lançant des brindilles, par exemple, sans entrer dans la zone dangereuse. Elle doit ensuite vérifier que le moteur est coupé et que la lame ne tourne plus.
- Ne laisser personne tenir le matériau en train d'être coupé.
- ◆ Tout contact avec la lame risquerait de causer des blessures graves.



#### Eviter tout contact avec des surfaces brûlantes

Pendant l'utilisation, l'appareil tout entier, et en particulier le carter de l'arbre de transmission, la tête de l'appareil, la zone du silencieux et la transmission, peuvent devenir brûlants, beaucoup trop chauds pour pouvoir être touchés. Eviter tout contact avec ces éléments pendant et immédiatement après l'utilisation.

- ◆ Il existe un risque de brûlure en cas de contact avec un composant à haute température.



# Pour utiliser l'appareil en toute sécurité

## AVERTISSEMENT

### Utilisateurs du produit

L'appareil ne doit pas être utilisé si :

- l'utilisateur est fatigué ;
  - l'utilisateur a consommé de l'alcool ;
  - l'utilisateur prend des médicaments ;
  - la personne qui souhaite utiliser l'appareil est enceinte ;
  - l'utilisateur est en mauvaise condition physique ;
  - l'utilisateur n'a pas lu le manuel d'utilisation ;
  - la personne qui souhaite utiliser l'appareil est un enfant.
- ◆ Le non-respect de ces règles de sécurité constitue un risque d'accident.



### Environnement d'utilisation et fonctionnement de l'appareil

- Ne pas utiliser l'appareil sur une surface instable, comme un terrain en pente raide ou détrempé. Ces types de terrain sont glissants et donc dangereux.
  - Ne pas utiliser l'appareil la nuit ou dans des endroits mal éclairés offrant de mauvaises conditions de visibilité.
  - Ne pas travailler dans des positions non sécurisées ou sur une échelle. Veiller à ne pas trop éloigner l'appareil du buste.
- ◆ Toute chute, glissade ou utilisation incorrecte de l'appareil constitue un risque de blessures graves pour l'utilisateur.
- Afin de préserver votre santé et de travailler dans des conditions de sécurité et de confort optimales, utiliser l'appareil uniquement par des températures comprises entre -5 °C et 40 °C.
- ◆ Le non-respect de ces instructions peut être dangereux pour la santé.

### Couper le moteur pour se déplacer

Dans les exemples de déplacement décrits ci-dessous, couper le moteur.

- Se déplacer vers le lieu de travail
  - Se déplacer vers un autre endroit tout en travaillant
  - Quitter le lieu de travail
- ◆ Le non-respect de ces mesures de précaution constitue un risque de brûlure ou de blessure grave.
- Pour transporter l'appareil dans une voiture, vider le réservoir de carburant et s'assurer que l'appareil est bien calé pour éviter qu'il se déplace lors du trajet.
- ◆ Rouler en voiture avec le réservoir rempli de carburant peut entraîner un risque d'incendie.

### Maintenir fermement l'appareil.

- Enserrer fermement les poignées avant et arrière avec les deux mains, entre le pouce et les doigts.
- ◆ Le non-respect de ces règles de sécurité constitue un risque d'accident.



### Exposition aux vibrations et au froid

Les personnes exposées aux vibrations et au froid peuvent être victimes du phénomène de Raynaud, une affection qui touche les doigts. L'exposition à des vibrations et au froid peut provoquer une sensation de picotement et de brûlure, suivie d'une décoloration et d'un engourdissement des doigts.

Il est vivement recommandé de respecter les mesures de précaution suivantes car le seuil d'exposition minimum pouvant provoquer l'apparition de ce phénomène reste inconnu à ce jour.

- Limiter la perte de chaleur corporelle, en protégeant en priorité la tête, le cou, les pieds, les chevilles, les mains et les poignets.
  - Stimuler la circulation sanguine en interrompant le travail régulièrement pour remuer énergiquement les bras, et éviter de fumer.
  - Limiter le nombre d'heures d'utilisation.  
Essayer d'intégrer à l'emploi du temps de la journée des tâches ne nécessitant pas l'utilisation de l'appareil ou d'une autre machine portative.
  - En cas d'inconfort, de rougeur et de gonflement au niveau des doigts, suivis d'un blanchissement et d'une perte de sensibilité, consulter un médecin avant de s'exposer à nouveau au froid et aux vibrations.
- ◆ Le non-respect de ces instructions peut être dangereux pour la santé.

# Pour utiliser l'appareil en toute sécurité

## AVERTISSEMENT

### Lésions attribuables au travail répétitif

Une trop grande sollicitation des muscles et des tendons des doigts, des mains, des bras et des épaules peut entraîner l'apparition d'inflammations, de gonflements, d'engourdissements, d'une sensation de faiblesse ou d'une douleur aiguë dans ces parties du corps. L'apparition de lésions attribuables au travail répétitif (LATR) est très fréquente chez les personnes pratiquant certaines activités manuelles répétitives.

Pour réduire le risque d'apparition de LATR, respecter les mesures de précaution suivantes :

- Éviter de plier, d'étirer ou de tordre le poignet pendant le travail.
- Faire des pauses régulières pour réduire l'effet répétitif et pour reposer ses mains. Effectuer le mouvement répétitif plus lentement et en faisant moins d'effort.
- Faire des exercices de musculation des mains et des bras.
- En cas de picotements, d'engourdissement ou de douleur dans les doigts, les mains, les poignets ou les bras, consulter un médecin. Plus les LATR sont diagnostiquées précocement, plus les chances d'empêcher les lésions nerveuses et musculaires irréversibles sont grandes.

◆ Le non-respect de ces instructions peut être dangereux pour la santé.

### Une formation adaptée

Toute personne devant utiliser cet appareil doit obligatoirement avoir reçu une formation et un équipement de protection adaptés.

Vous devez avoir une connaissance parfaite des commandes et du fonctionnement de l'appareil.

Vous devez savoir comment arrêter l'appareil et couper le moteur.

Ne laisser personne utiliser l'appareil sans avoir préalablement reçu une formation adaptée.

### Équipement de protection

## AVERTISSEMENT

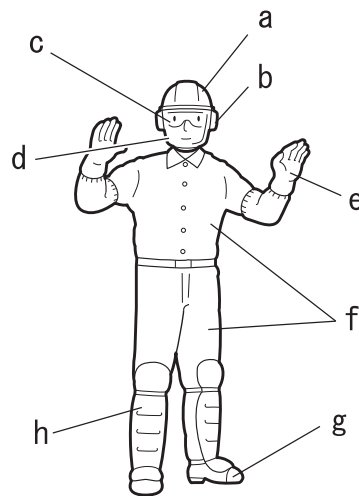
### Port d'un équipement de protection

Toujours porter les équipements de protection suivant.

- a Protection de la tête (casque) : protège la tête
  - b Casque de protection anti-bruit ou protecteurs d'oreilles : protègent l'ouïe
  - c Lunettes de sécurité : protègent les yeux
  - d Protection du visage : protège le visage
  - e Gants de sécurité : protègent les mains contre le froid et les vibrations
  - f Vêtements de travail adaptés (manches longues, pantalons longs) : protègent le corps
  - g Bottes résistantes avec semelles anti-dérapantes (à bouts renforcés) ou chaussures de travail avec semelles anti-dérapantes (à bouts renforcés) : protègent les pieds
  - h Protège-tibias : protègent les jambes
- ◆ Le non-respect de ces mesures de précaution peut entraîner une dégradation de la vue ou de l'ouïe de l'utilisateur, ainsi qu'un risque de blessure grave.

Si nécessaire, utiliser les équipements de protection ci-dessous.

- Masque anti-poussière : protège les voies respiratoires
- Voilette de protection : protège contre les piqûres d'abeilles

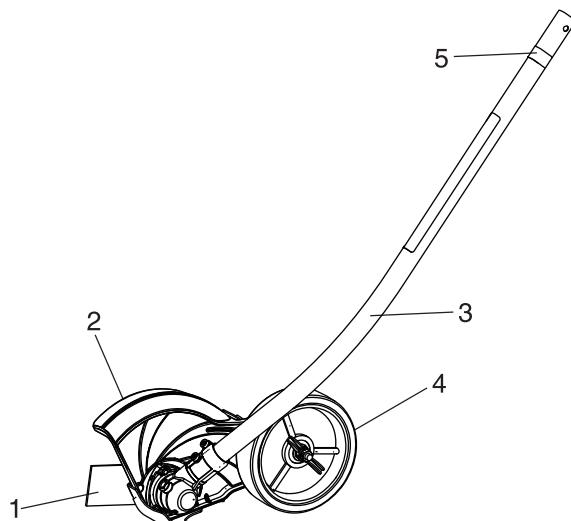


### Port de vêtements adaptés.

Ne pas porter de cravates, bijoux ou vêtements amples qui pourraient se prendre dans l'appareil. Ne pas porter de chaussures ouvertes, ne pas travailler pieds nus ou jambes nues. Dans certains cas, une protection complète du visage et de la tête peut être nécessaire.

◆ Le non-respect de ces mesures de précaution peut entraîner une dégradation de la vue ou de l'ouïe de l'utilisateur, ainsi qu'un risque de blessure grave.



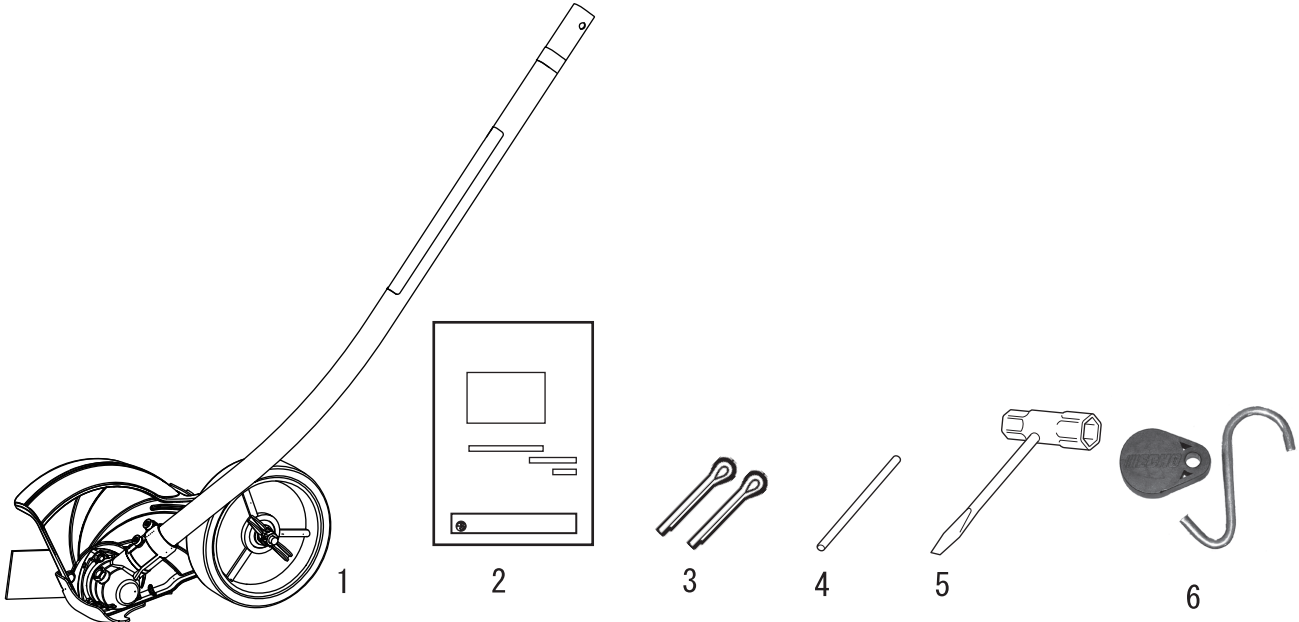


1. **Lame** Tourne pour assurer les opérations de coupe
2. **Protecteur d'outil anti-projection** Monté sur l'outil de coupe. Protège l'utilisateur en déviant les projections dues à l'opération de taille des bordures.
3. **Arbre de transmission** Composé d'un revêtement spécial et de l'arbre de transmission flexible.
4. **Roue** Réglable en hauteur, détermine la profondeur de la lame.
5. **Type et numéro de série**

# Avant de commencer

## Contenu de l'emballage

- ♦ Les pièces suivantes sont conditionnées séparément dans le carton d'emballage.
- ♦ Lors de l'ouverture du carton, passer en revue les pièces qu'il contient.
- ♦ Contacter un revendeur si une pièce est manquante ou endommagée.



1. Outil de taille-bordures électrique
2. Manuel d'utilisation
3. Goupilles fendues

4. Outil de blocage
5. Clé à pipe
6. Crochet de remisage

## Assemblage

### **⚠ AVERTISSEMENT**

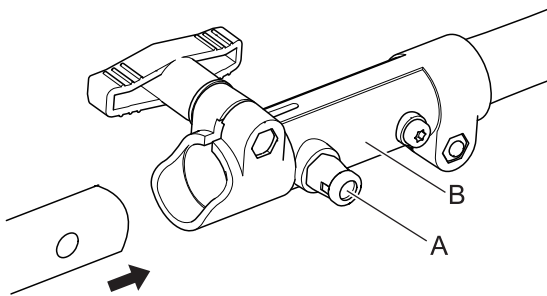
**Lire attentivement le manuel d'utilisation pour s'assurer que l'appareil est monté correctement.**

♦ L'utilisation d'un appareil monté de façon incorrecte entraîne un risque d'accident ou de blessure grave.

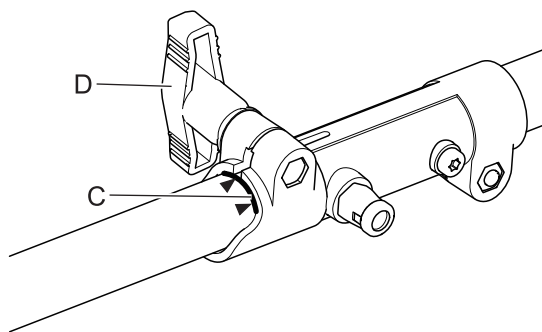


### Tête de l'appareil/arbre inférieur

1. Disposer la tête de l'appareil/l'arbre sur une surface plane.
2. Tirer la goupille de positionnement (A) et la tourner d'1/4 de tour dans le sens inverse des aiguilles d'une montre en position de blocage.
3. Retirer la protection en vinyle de l'arbre de transmission de l'outil.



# Avant de commencer



4. Insérer soigneusement l'arbre de transmission de l'outil dans le coupleur (B) jusqu'à la ligne d'assemblage tracée sur l'étiquette (C), en vérifiant que l'arbre de transmission inférieur intérieur s'enclenche dans la prise à carré conducteur de l'arbre de transmission supérieur.

## REMARQUE

Le corps de palier inférieur et la tête doivent être alignés avec le moteur.

5. Tourner la goupille de positionnement (A) d'1/4 de tour dans le sens des aiguilles d'une montre pour l'enclencher dans l'orifice de l'arbre inférieur. Vérifier que la goupille de positionnement est bien enclenchée en tournant l'arbre de transmission inférieur. La goupille de positionnement doit parfaitement s'enclencher dans le coupleur. Ainsi, l'arbre ne peut plus tourner.
6. Fixer l'arbre inférieur sur le coupleur en serrant le bouton de serrage (D).
7. Pour le démontage, inverser les instructions de montage.

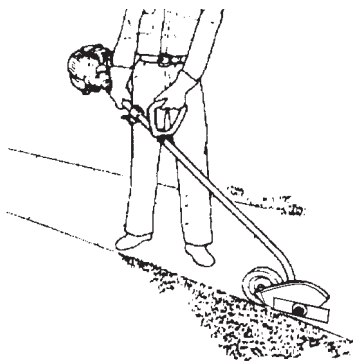
# Fonctionnement

Effectuer un contrôle complet de l'appareil avant utilisation :

- Vérifier si l'appareil présente des écrous, boulons et vis desserrés/manquants. Serrer et/ou remplacer les éléments nécessaires.
- Vérifier l'état et la fixation du protecteur d'outil. Remplacer le protecteur d'outil s'il est endommagé ou manquant.
- S'assurer que la lame est solidement fixée et qu'elle est en bon état de marche. Ne pas utiliser de lame émoussée, mal fixée ou endommagée.

## REMARQUE

Consulter le manuel d'utilisation de la source d'alimentation pour obtenir les instructions d'alimentation en carburant, de démarrage et d'arrêt du moteur.



## Méthodes d'utilisation

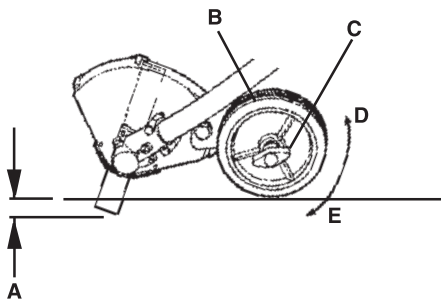
1. Avant de commencer, arroser la zone de travail pour ramollir le sol et faciliter la taille des bordures.
2. Avant de commencer, inspecter la zone de travail et retirer tous les obstacles et objets susceptibles d'être projetés.
3. Procéder régulièrement à la taille des bordures pour conserver de belles bordures et éviter de devoir faire plusieurs passages.

## REMARQUE

Un réglage de la profondeur de la lame peut s'avérer nécessaire selon les différences de hauteur entre la surface du sol et le haut de l'herbe.

## ⚠ AVERTISSEMENT

**Ne jamais régler la profondeur de la lame lorsque le moteur est en marche afin d'éviter les risques de blessures corporelles graves.**



A : 13 mm

B : Roue

C : Bouton de réglage

D : Augmentation de la profondeur

E : Diminution de la profondeur

4. Régler la profondeur de coupe de la lame au minimum afin d'obtenir une taille précise entre le trottoir et l'herbe. Généralement, la profondeur de la lame dans le sol est de 13 mm environ dans ce cas.
5. Avant de commencer la taille des bordures, prévoir le sens de travail de sorte que l'appareil soit toujours situé à droite de l'utilisateur et que ce dernier puisse marcher autant que possible sur une surface dure.
6. Tenir le taille-bordures comme indiqué sur l'illustration.
7. Au début de l'opération de taille des bordures, faire tourner le moteur à plein régime et abaisser avec précaution la lame dans le sol, tout en veillant à ce qu'elle ne touche pas le béton.
8. Ne pas forcer la progression de la lame. N'avancer que si la lame ne rencontre pas de résistance.

## ⚠ AVERTISSEMENT

**Avant de commencer la taille des bordures, lire et comprendre l'intégralité du manuel d'utilisation pour éviter les risques de blessures graves.**

## ⚠ AVERTISSEMENT

**L'appareil dans son ensemble, et en particulier l'arbre de transmission ainsi que la surface d'échappement du silencieux, risquent de devenir brûlants en cours d'utilisation. Éviter tout contact avec l'appareil pendant et immédiatement après son utilisation pour ne pas risquer de blessures graves.**



## **⚠ AVERTISSEMENT**

Les pièces en mouvement peuvent être à l'origine de blessures graves, voire d'amputations. L'utilisateur doit éloigner ses mains, vêtements et tout objet non fixé de toutes les ouvertures. Toujours arrêter le moteur, déconnecter le fil de la bougie et vérifier que toutes les pièces en mouvement se sont complètement immobilisées avant de retirer tout obstacle, d'éliminer des débris ou de procéder à l'entretien de l'appareil. Laisser refroidir l'appareil avant de procéder à son entretien. Porter des gants pour se protéger les mains des arêtes tranchantes et surfaces brûlantes.

### Instructions d'entretien de l'appareil

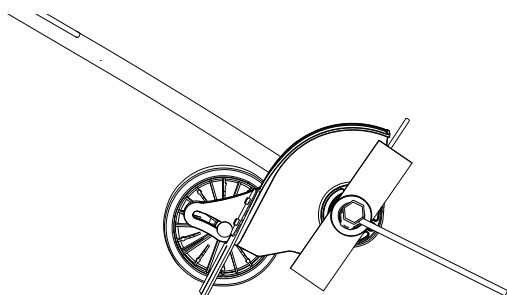
Pièce	Entretien	Fréquence
Arbre de transmission	Lubrifier	Toutes les 25 heures d'utilisation
Carter d'engrenage	Lubrifier	Toutes les 15 - 25 heures d'utilisation
Vis, boulons et écrous	Contrôler, serrer/remplacer	Avant chaque utilisation

### Entretien

En cas de questions ou de problèmes, contacter un revendeur.

#### Remplacement/lubrification de la lame

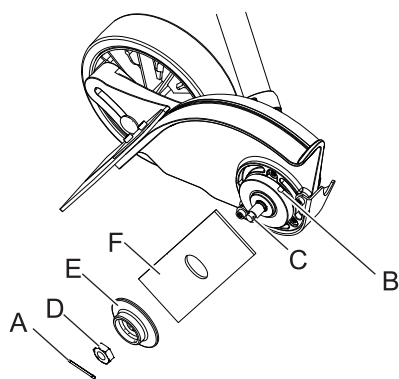
#### Carter d'engrenage



### REMARQUE

Lubrifier le carter d'engrenage toutes les 15 - 25 heures d'utilisation. Remplacer la lame si elle est émoussée à moins de 15 cm (6 pouces). Déposer la lame et les supports avant la lubrification afin d'éviter d'endommager l'engrenage et les roulements.

1. Couper le moteur.
2. Déposer la goupille fendue (A).
3. Tourner la lame jusqu'à ce que le trou de l'adaptateur de lame intérieur (B) et celui de la transmission soient alignés. Insérer l'outil de blocage afin de bloquer l'arbre de prise de force (C).



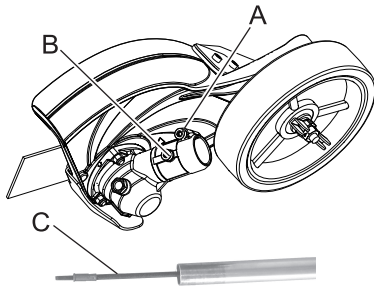
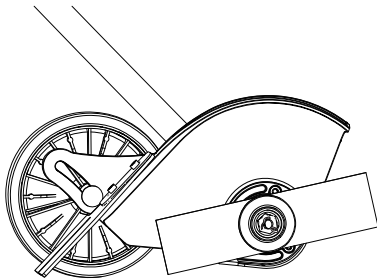
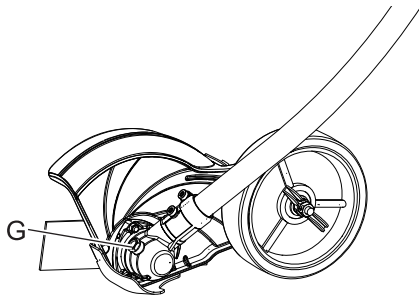
### REMARQUE

Le protecteur d'outil n'est pas représenté pour des raisons de clarté de l'illustration.

### REMARQUE

L'écrou de la lame (D) a un filetage à pas à gauche.

4. Retirer l'écrou de la lame (D) en le dévissant dans le sens des aiguilles d'une montre à l'aide de l'outil combiné. Déposer l'adaptateur de lame extérieur (E), la lame (F) et l'adaptateur de lame intérieur (B).



5. Retirer le bouchon (G) et remplir le carter d'engrenage de graisse. Poser la bougie.
6. Poser l'adaptateur de lame intérieur (B) sur l'arbre de prise de force (C).
7. Poser et centrer la lame neuve (F) sur l'adaptateur intérieur (B).
8. Poser l'adaptateur extérieur (E) et l'écrou (D). Serrer fermement l'écrou (D) dans le sens inverse des aiguilles d'une montre.

## IMPORTANT

Ne jamais réutiliser une goupille fendue usagée.

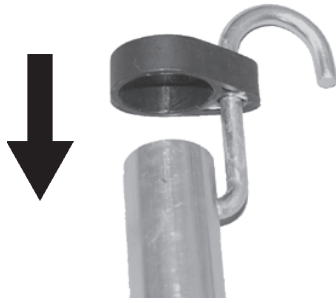
9. Poser une goupille fendue neuve (A) pour fixer l'écrou.

## Arbre de transmission (inférieur)

### IMPORTANT

Lubrifier les arbres de transmission inférieur et supérieur avec de la graisse automobile haute température toutes les 25 heures d'utilisation. Dans le cas contraire, l'arbre de transmission risque de surchauffer et d'entraîner une panne.

1. Desserrer le boulon de serrage du carter d'engrenage (A) et retirer la vis de positionnement (B). Retirer la transmission et le protecteur d'outil du carter de l'arbre de transmission.
2. Tirer le câble flexible (C) hors du logement de l'arbre de transmission, le nettoyer et appliquer une fine couche de 15 ml de graisse haute température.
3. Glisser le câble flexible (C) et le reposer dans le carter de l'arbre de transmission. Veiller à ce qu'aucune saleté ne se dépose sur le câble flexible.
4. Poser le carter d'engrenage et le protecteur d'outil.



## Installation du crochet de remisage

1. Insérer l'extrémité fine du crochet dans le trou de positionnement de l'arbre de l'outil.
2. Placer la protection en plastique sur l'extrémité de l'arbre de l'outil.

# Caractéristiques

		MTA-LE/E
<b>Dimensions externes :</b> Longueur × largeur × hauteur	mm	787 × 235 × 299
<b>Masse :</b> Appareil sans outil de coupe	kg	2,4
<b>Outil de coupe :</b> Diamètre de la lame spécifiée Largeur de la lame spécifiée Épaisseur de la lame spécifiée Nombre de dents de coupe Diamètre du trou central de la lame Fréquence de rotation maximum de la broche	mm mm mm  mm tr/min	197 51 2,3 2 25,4 5750
<b>Rapport de vitesse :</b> Rapport de réduction Lubrification		2,07 Graisse au lithium de bonne qualité
<b>Sens de rotation de l'arbre de sortie vu du côté droit :</b>		Clockwise
<b>Niveaux de vibrations :</b> (ISO 22867) $a_{hv,eq}$ Poignée avant Poignée arrière Incertitude : (K)	$m/s^2$ $m/s^2$ $m/s^2$	2,6 4,3 3,4
<b>Niveau de pression sonore :</b> (ISO 22868) $L_{pAeq}$ Incertitude : ( $K_{pA}$ )	$dB(A)$ $dB(A)$	92,5 2,5
<b>Niveau de puissance sonore:</b> (ISO 22868) $L_{WARa}$ Incertitude : ( $K_{WA}$ )	$dB(A)$ $dB(A)$	106,3 2,5
Modèles concernés		PAS-2620ES

Ces caractéristiques sont susceptibles d'être modifiées sans préavis.

# Déclaration de conformité

---

Le fabricant soussigné :

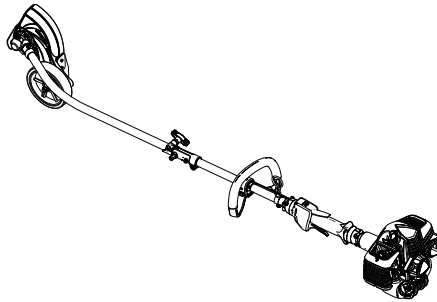
YAMABIKO CORPORATION  
1-7-2 Suehirocho  
Ohme, Tokyo 198-8760  
JAPON

Cette déclaration de conformité est délivrée sous la seule responsabilité du fabricant.

déclare que l'appareil neuf désigné ci-après :

## SERIE PRO ATTACHMENT

Marque : ECHO  
Type : PAS-2620ES + MTA-LE/E



assemblé par :

ECHO, INCORPORATED  
400 Oakwood Road  
Lake Zurich, Illinois 60047-1564  
États-Unis

est conforme :

- \* aux exigences de la directive **2006/42/CE** (utilisation de la norme harmonisée **EN ISO 11789: 1999**)
- \* aux exigences de la directive **2014/30/UE** (utilisation de la norme harmonisée **EN ISO 14982: 2009**)
- \* aux exigences de la directive **2011/65/UE** (utilisation de la norme harmonisée **EN 50581: 2012**)
- \* aux exigences de la directive **2000/14/CE**

Procédure d'évaluation de la conformité suivie : **ANNEXE V**

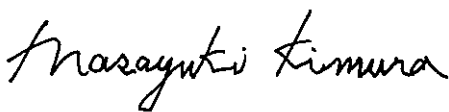
Niveau de puissance sonore mesuré : 106 dB(A)

Niveau de puissance sonore garanti : 109 dB(A)

Numéro de série 35101001 à 35200000

Tokyo, 1er janvier 2019

## YAMABIKO CORPORATION



**Masayuki Kimura**

**Directeur général  
Service Assurance qualité**

**Représentant autorisé en Europe, autorisé à constituer le dossier technique.**

Société : CERTIFICATION EXPERTS B.V.

Adresse : P.O. box 5047, Merwedeweg 2, 3621 LR Breukelen, Pays-Bas

**M. Richard Glaser**

**Importateur pour la France**

Société : P.P.K.

Adresse : Z.I. du Chemin Vert 10/16 rue de l'Angoumois BP 8002 - 95811 ARGENTEUIL CEDEX, France

# YAMABIKO CORPORATION

1-7-2 Suehirocho, Ohme, Tokyo 198-8760 JAPON

TÉLÉPHONE : 81-428-32-6118. FAX : 81-428-32-6145.

**ECHO**®



X771209-5202



DEUTSCH  
DE (Original Gebrauchsanleitung)

# BEDIENUNGSANLEITUNG

## Pro Edge Attachment MTA-LE/E

### WARNUNG



LESEN SIE DIE BEDIENUNGSANLEITUNG SORGFÄLTIG DURCH, UND BEFOLGEN SIE DIE SICHERHEITSREGELN. ANDERNFALLS BESTEHT DAS RISIKO SCHWERER VERLETZUNGEN.



# Wichtige Informationen

---

**Lesen Sie unbedingt die Bedienungsanleitung, bevor Sie das Produkt verwenden.**

## ○ Einführung

- Dieses Produkt zeichnet sich durch seine Langlebigkeit und Zuverlässigkeit aus. Bitte lesen Sie diese dem Gerät beigefügte Bedienungsanleitung genau durch. Sie finden darin hilfreiche Tipps zur einfachen Bedienung sowie Sicherheitsinformationen.

## ○ Anwender des Produkts

- Verwenden Sie dieses Produkt erst, nachdem Sie die Bedienungsanleitung sorgfältig gelesen und den Inhalt genau verstanden haben.
- Das Produkt darf von keiner Person verwendet werden, die die Bedienungsanleitung nicht gelesen hat, an Erkältung, Müdigkeit oder einer anderen körperlichen Schwäche leidet. Das Produkt darf nicht von Kindern verwendet werden.
- Seien Sie sich bewusst, dass der Benutzer für Unfälle bzw. Gefährdungen anderer Personen oder deren Eigentum verantwortlich ist.

## ○ Allgemeines zu dieser Bedienungsanleitung

- Diese Bedienungsanleitung enthält wichtige Informationen über Montage, Bedienung und Instandhaltung Ihres Produkts. Bitte lesen Sie sie sorgfältig durch, und machen Sie sich mit dem Inhalt vertraut.
- Bewahren Sie die Anleitung stets an einem schnell zugänglichen Ort auf.
- Sollte die Anleitung verloren gehen oder aufgrund von Beschädigungen nicht mehr lesbar sein, besorgen Sie sich bitte eine neue Anleitung von Ihrem Händler.
- Die in dieser Anleitung verwendeten Einheiten sind SI-Einheiten (Système International d'unités; Internationales Einheitensystem). Zahlenangaben in Klammern sind Referenzwerte, bei denen mitunter geringe Umrechnungsfehler vorliegen können.

## ○ Verleihen oder Übereignen des Produkts

- Wenn Sie das in dieser Anleitung beschriebene Produkt verleihen, muss die Person, die das Produkt ausleiht und verwendet, auch die zugehörige Bedienungsanleitung erhalten. Wenn Sie das Produkt einer anderen Person übereignen, muss die Bedienungsanleitung zusammen mit dem Produkt ausgehändigt werden.

## ○ Anfragen

- Bei Fragen bezüglich Informationen zum Produkt, Erwerb von Verbrauchsmaterial, zu Reparaturen u. Ä. wenden Sie sich bitte an Ihren Händler.

## ○ Anmerkungen

- Um Weiterentwicklungen des Produkts Rechnung zu tragen, bleiben dem Hersteller Änderungen am Inhalt dieser Anleitung vorbehalten. Einige Abbildungen in dieser Anleitung können vom Produkt abweichen, um Sachverhalte klarer darzustellen.
- Vor Inbetriebnahme des Produkts müssen einige Teile montiert werden.
- Bei Unklarheiten oder Problemen wenden Sie sich bitte an Ihren Händler.

## WICHTIG

**Dieses Anbauteil ist für den Einsatz mit dem Motorkopf PAS-2620ES ausgelegt. Die Verwendung dieses Anbauteils mit einem anderen Gerät führt zu einem vorzeitigen Ausfall des Messerantriebs und führt zu einem Verlust der Garantie.**

## **WARNUNG**

**Lesen Sie die Richtlinien zur Betriebssicherheit und die Bedienungsanweisungen sorgfältig. YAMABIKO liefert eine Bedienungsanleitung mit dem PAS-2620ES. Diese Bedienungsanleitung und die vorliegende Anleitung müssen für einen ordnungsgemäßen und sicheren Betrieb gelesen und verstanden werden, ansonsten besteht die Gefahr schwerer Verletzungen.**

## Hersteller:

**YAMABIKO CORPORATION**

**1-7-2 Suehirocho, Ohme, Tokio 198-8760, JAPAN**

## Autorisierter Repräsentant in Europa:

**CERTIFICATION EXPERTS B.V.**

**P.O. box 5047, Merwedeweg 2, 3621 LR Breukelen, Niederlande**



Sichere Verwendung des Produkts .....	4
Warnhinweise .....	4
Sonstige Kennzeichnungen .....	4
Symbole.....	4
Stelle, an der sich ein Sicherheitsaufkleber befindet .....	5
Umgang mit dem Produkt.....	6
Beschreibung.....	9
Bevor Sie beginnen .....	10
Packliste .....	10
Zusammenbau.....	10
Betrieb .....	12
Wartung und Pflege.....	13
Wartungsrichtlinien .....	13
Wartung und Pflege.....	13
LAGERUNG.....	15
Technische Daten.....	16
Konformitätserklärung.....	17

# Sichere Verwendung des Produkts

## Lesen Sie diesen Abschnitt unbedingt durch, bevor Sie das Produkt verwenden.




○ Er enthält wichtige Informationen zum Thema Sicherheit. Befolgen Sie die Anweisungen sorgfältig.

○ Lesen Sie außerdem die Sicherheitshinweise im Hauptteil dieser Bedienungsanleitung.

In Textabschnitten, die mit einem [diamond mark]-Symbol beginnen, werden die möglichen Folgen einer Nichtbeachtung von Sicherheitshinweisen beschrieben.


## Warnhinweise

Auf Situationen, in denen eine Verletzungsgefahr für den Bediener und andere Personen besteht, wird in dieser Anleitung und auf dem Produkt selbst durch die nachstehenden Warnhinweise aufmerksam gemacht. Lesen Sie diese Warnhinweise genau durch, und befolgen Sie sie, um sicheres Arbeiten zu gewährleisten.

 <b>GEFAHR</b>	 <b>WARNUNG</b>	 <b>VORSICHT</b>
Dieses Symbol in Verbindung mit dem Wort „ <b>GEFAHR</b> “ macht auf Handlungen oder Bedingungen aufmerksam, die zu schweren Verletzungen oder zum Tod von Bediener und umstehenden Personen führen.	Dieses Symbol in Verbindung mit dem Wort „ <b>WARNUNG</b> “ macht auf Handlungen oder Bedingungen aufmerksam, die zu schweren Verletzungen oder zum Tod von Bediener und umstehenden Personen führen können.	„ <b>VORSICHT</b> “ warnt vor einer Gefahrensituation, in der es zu leichten bis mäßigen Verletzungen kommen kann.

## Sonstige Kennzeichnungen

Zusätzlich zu den Warnhinweisen werden in dieser Anleitung folgende erklärende Symbole verwendet:

	Kreis mit umgekehrtem Schrägstrich bedeutet, dass das Dargestellte unzulässig ist.	<b>HINWEIS</b>	Hinweise dieser Art enthalten Tipps zur Verwendung, Pflege und Wartung des Produkts.	<b>WICHTIG</b>	Umrahmter Text mit der Überschrift „ <b>WICHTIG</b> “ enthält wichtige Informationen zur Verwendung, Überprüfung, Wartung und Lagerung des in dieser Anleitung beschriebenen Produkts.
--	--	----------------	--	----------------	--

## Symbole

In dieser Anleitung und auf dem Produkt selbst werden verschiedene erklärende Symbole verwendet. Vergewissern Sie sich, dass Sie die Bedeutung der einzelnen Symbole genau verstehen.

Symbol	Beschreibung des Symbols	Symbol	Beschreibung des Symbols
	Bedienungsanleitung sorgfältig durchlesen		Passanten auf einen Abstand von 15 m fernhalten
	Augen-, Ohren- und Kopfschutz tragen		Achtung, heiße Bereiche
	Schutzhandschuhe und Sicherheitsschuhe tragen		Die Füße vom Messer fernhalten
	Gegenstände werden hochgeschleudert		Achtung, Stromschlag-Gefahr

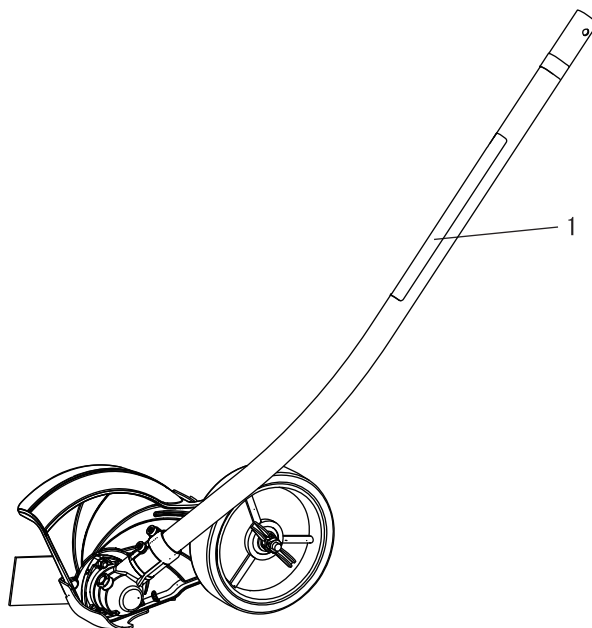
# Sichere Verwendung des Produkts

## Stelle, an der sich ein Sicherheitsaufkleber befindet

- Die in dieser Anleitung beschriebenen Produkte sind mit dem unten dargestellten Sicherheitsaufkleber versehen. Machen Sie sich die Bedeutung des Sicherheitsaufklebers bewusst, bevor Sie das Produkt verwenden.
- Falls der Sicherheitsaufkleber aufgrund von Verschleiß oder Beschädigung nicht mehr lesbar ist oder sich abgelöst hat, erwerben Sie bitte einen neuen Sicherheitsaufkleber von Ihrem Händler, und bringen Sie ihn an der nachstehend gezeigten Stelle an. Der Sicherheitsaufkleber muss stets gut lesbar sein.



1. Sicherheitsaufkleber (Teilenummer 890160-25560)



# Sichere Verwendung des Produkts

## Umgang mit dem Produkt Allgemeine Sicherheitsregeln

### **WARNUNG**

#### Bedienungsanleitung

- Lesen Sie die Bedienungsanleitung vor der Inbetriebnahme des Produkts aufmerksam durch, um eine korrekte Bedienung zu gewährleisten.
- ◆ Andernfalls kann es zu Unfällen bzw. schweren Verletzungen kommen.



#### Produkt nur für den vorgesehenen Zweck verwenden

- Das Produkt darf nicht für andere als die in dieser Bedienungsanleitung genannten Zwecke verwendet werden.
- ◆ Andernfalls kann es zu Unfällen bzw. schweren Verletzungen kommen.

#### Keine Veränderungen am Produkt vornehmen

- An dem Produkt dürfen keine Veränderungen vorgenommen werden.
- ◆ Andernfalls kann es zu Unfällen bzw. schweren Verletzungen kommen. Funktionsfehler, die auf Veränderungen am Produkt zurückzuführen sind, fallen nicht unter die Herstellergarantie.

#### Produkt nur verwenden, wenn es überprüft und gewartet wurde

- Das Produkt darf nur verwendet werden, wenn es überprüft und gewartet wurde. Die Überprüfung und Wartung des Produkts muss regelmäßig durchgeführt werden.
- ◆ Andernfalls kann es zu Unfällen bzw. schweren Verletzungen kommen.

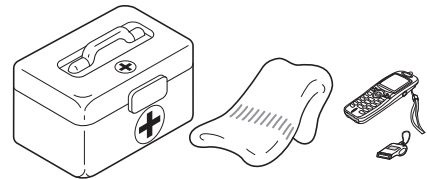
#### Verleihen oder Übereignen des Produkts

- Wenn Sie das Produkt verleihen, muss die ausleihende Person auch die zugehörige Bedienungsanleitung erhalten.
- Wenn Sie das Produkt einer anderen Person übereignen, muss die Bedienungsanleitung zusammen mit dem Produkt ausgehändigt werden.
- ◆ Andernfalls kann es zu Unfällen bzw. schweren Verletzungen kommen.

#### Vorsorge für den Fall von Verletzungen

Für den unwahrscheinlichen Fall, dass es dennoch zu Verletzungen kommt, sollten Sie folgende Dinge vorbereitet haben:

- Verbandskasten
- Hand- und Wischtücher (um etwaige Blutungen zu stoppen)
- Trillerpfeife oder Mobiltelefon (um Hilfe rufen zu können)
- ◆ Wenn Sie weder erste Hilfe leisten noch Hilfe rufen können, kann sich die Verletzung verschlimmern.



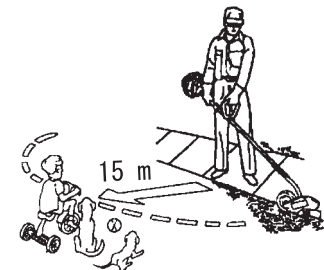
## Sicherheitsregeln für die Benutzung

### **WARNUNG**

#### Gefahrenzone im 15-m-Radius

Der Bereich in einem Radius von 15 m rund um dieses Produkt gilt als Gefahrenzone. Beachten Sie bei der Arbeit mit diesem Produkt folgende Sicherheitsregeln:

- Lassen Sie keine Personen (insbesondere Kinder) oder Tiere in die Gefahrenzone.
- Wenn eine Person die Gefahrenzone betritt, stellen Sie den Motor ab, damit sich das Messer nicht mehr bewegt
- Wenn Sie sich dem Bediener nähern möchten, machen Sie ihn auf Ihre Absicht aufmerksam und warten Sie dann, bis der Motor abgestellt wurde und das Messer stillsteht.
- Gestatten Sie keiner Person, das von Ihnen zu schneidende Material festzuhalten.
- ◆ Jeder Kontakt mit dem Schneidmesser kann zu schweren Verletzungen führen.



#### Heiße Oberflächen vermeiden

Das komplette Gerät kann im Betrieb sehr heiß werden, insbesondere das Rohr mit Antriebswelle, die Motoreinheit, der Schalldämpfer und das Getriebegehäuse, und zwar so heiß, dass sie nicht gefahrlos berührt werden können. Vermeiden Sie eine Berührung während und unmittelbar nach dem Betrieb.

- ◆ Beim Berühren heißer Teile können Sie sich Verbrennungen zuziehen.



# Sichere Verwendung des Produkts

## **WARNUNG**

### Anwender des Produkts

Das Produkt darf von folgenden Personen nicht gebraucht werden:

- übermüdete Personen
- alkoholisierte Personen
- unter Medikamenteneinfluss stehende Personen
- schwangere Frauen
- Personen in schlechter körperlicher Verfassung
- Personen, die die Bedienungsanleitung nicht gelesen haben
- Kinder
- ◆ Eine Nichtbefolgung dieser Anweisungen kann zu Unfällen führen.



### Arbeitsumgebung und Bedienung

- Verwenden Sie das Produkt nicht an Orten ohne sicheren Untergrund, etwa an steilen Hängen oder nach Regengüssen, da solche Stellen rutschig und gefährlich sind.
- Verwenden Sie das Gerät nicht nachts oder an dunklen Stellen mit schlechten Sichtverhältnissen.
- Arbeiten Sie nicht in ungünstigen Stellungen oder auf Leitern. Strecken Sie sich nicht zu weit nach vorn.
- ◆ Wenn Sie fallen oder ausrutschen oder das Produkt nicht mehr voll beherrschen, kann dies zu schweren Verletzungen führen.
- Aus Gesundheits- und Sicherheitsgründen sollten Sie mit dem Gerät nur bei Lufttemperaturen von -5 °C bis 40 °C arbeiten.
- ◆ Eine Nichtbefolgung dieser Anweisung kann zu gesundheitlichen Schäden führen.

### Motor beim Wechsel des Arbeitsorts abstellen

Stellen Sie den Motor ab, wenn Sie den Arbeitsort wechseln, wie unten beschrieben.

- Sie suchen Ihren Arbeitsbereich auf.
- Sie wechseln im Verlauf der Arbeit den Arbeitsbereich.
- Sie verlassen Ihren bisherigen Arbeitsbereich.
- ◆ Bei Nichtbeachtung dieser Sicherheitsregeln können Verbrennungen oder andere schwere Verletzungen die Folge sein.
- Entleeren Sie den Kraftstofftank des Geräts zum Transport in Kraftfahrzeugen, und sichern Sie das Gerät so, dass es nicht verrutschen kann.
- ◆ Ein Transport des Geräts mit befülltem Kraftstofftank stellt eine Brandgefahr dar.

### Halten Sie das Gerät am Haltegriff gut fest

- Halten Sie mit einer Hand den vorderen und mit der anderen den hinteren Griff fest, die Daumen und Finger Ihrer beiden Hände müssen dabei den Griff fest umschließen.
- ◆ Eine Nichtbefolgung dieser Anweisungen kann zu Unfällen führen.



### Vibration und Kälte

Es wird vermutet, dass das Raynaud-Syndrom, das die Finger mancher Menschen befällt, durch stark vibrierende Arbeitsgeräte und das Arbeiten bei Kälte herbeigeführt wird. Durch stark vibrierende Arbeitsgeräte und das Arbeiten bei Kälte kann sich ein Prickeln und Brennen bemerkbar machen, dem sich Farblosigkeit und Gefühllosigkeit der Finger anschließen.

Die nachstehend aufgeführten Vorkehrungen werden dringend empfohlen, da die Mindestwerte, bei denen diese Krankheit ausgelöst wird, nicht bekannt sind.

- Halten Sie Ihren Körper warm, insbesondere Kopf und Nacken, Füße und Fußgelenke sowie Hände und Handgelenke.
- Legen Sie häufige Pausen ein, in deren Verlauf Sie den Kreislauf durch intensive Armübungen anregen, und rauchen Sie nicht.
- Begrenzen Sie die Dauerbetriebszeiten auf ein Minimum.  
Teilen Sie jeden Arbeitstag so ein, dass auch Arbeiten ohne Trimmer oder tragbare motorisierte Geräte verrichtet werden.
- Wenn Ihre Finger schmerzen, rot und angeschwollen sind und schließlich bleich und gefühllos werden, müssen Sie einen Arzt aufsuchen, bevor Sie sich weiterhin Kälte und Vibrationen aussetzen.
- ◆ Eine Nichtbefolgung dieser Anweisung kann zu gesundheitlichen Schäden führen.

# Sichere Verwendung des Produkts

## **WARNUNG**

### RSI-Syndrom

Es wird angenommen, dass eine Überanstrengung der Muskeln und Sehnen der Finger, Hände, Arme und Schultern in den betreffenden Körperteilen Schmerzen, Schwellungen, Gefühllosigkeit, Schwäche und auch akuten Schmerz verursachen kann. Durch bestimmte ständig wiederholte Handbewegungen steigt das Risiko für die Entwicklung eines RSI-Syndroms.

Auf folgende Art mindern Sie das Risiko des RSI-Syndroms:

- Achten Sie darauf, dass Sie Ihr Handgelenk nicht zu sehr beugen, strecken oder verdrehen.
- Legen Sie von Zeit zu Zeit Pausen ein, um wiederholte Bewegungen zu minimieren, und lassen Sie Ihre Hände ruhen. Reduzieren Sie die Geschwindigkeit und den Kraftaufwand, mit denen Sie die Wiederholungsbewegung ausführen.
- Führen Sie geeignete Übungen zur Stärkung der Hand- und Armmuskulatur durch.
- Suchen Sie einen Arzt auf, wenn Sie ein Prickeln, Gefühllosigkeit oder Schmerzen in Ihren Fingern, Händen, Handgelenken oder Armen bemerken. Je früher das RSI-Syndrom erkannt wird, desto eher lässt sich eine dauerhafte Schädigung von Nerven und Muskeln verhindern.

◆ Eine Nichtbefolgung dieser Anweisung kann zu gesundheitlichen Schäden führen.

### Angemessene Unterweisung

**Das Gerät darf nicht ohne angemessene Unterweisung bzw. ohne Schutzkleidung bedient werden.**

Machen Sie sich mit der richtigen Handhabung des Geräts und seiner Bedienelemente vertraut.

Sie müssen wissen, wie sich das Gerät stoppen und der Motor abstellen lässt.

Erlauben Sie niemals einer anderen Person, das Gerät ohne vorherige Unterweisung zu benutzen.

### Schutzausrüstung

## **WARNUNG**

### Schutzausrüstung tragen

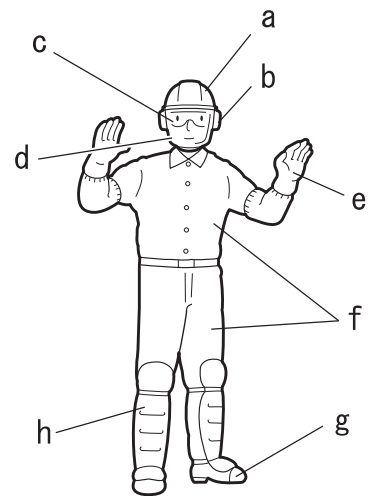
Tragen Sie stets die nachstehend aufgeführte Schutzausrüstung.

- a **Kopfschutz (Helm):** schützt den Kopf
- b **Gehörschutzbügel oder Ohrstöpsel:** schützen das Gehör
- c **Schutzbrille:** schützt die Augen
- d **Gesichtsschutzschild:** schützt das Gesicht
- e **Sicherheitshandschuhe:** schützen die Hände vor Kälte und Vibration
- f **Eng anliegende Arbeitskleidung (lange Ärmel, lange Hosen):** schützt den Körper
- g **Robuste, rutschfeste Stiefel (mit Schutzkappe) oder rutschfeste Schuhe (mit Schutzkappe):** schützen die Füße
- h **Schienbeinschützer:** schützen die Beine

◆ Bei Nichtbeachtung dieser Sicherheitsvorkehrungen sind Ihr Augenlicht und Ihr Gehör gefährdet, und es drohen sonstige schwere Verletzungen.

Falls erforderlich, verwenden Sie auch folgende Schutzausrüstung:

- **Staubmaske:** schützt das Atmungssystem
- **Bienennetz:** schützt vor angreifenden Bienen

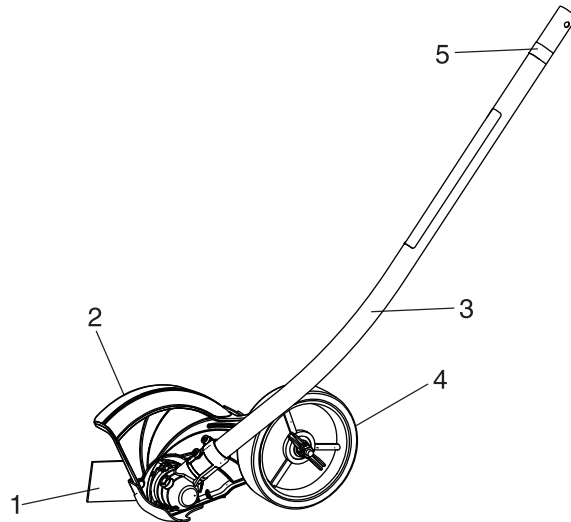


### Geeignete Schutzkleidung tragen

Tragen Sie keine Krawatten, Schmuckstücke oder lose, weite Kleidungsstücke, die sich im Gerät verfangen könnten. Tragen Sie keine Schuhe mit freien Zehen, und arbeiten Sie nicht barfuß oder in kurzen Hosen. In bestimmten Situationen kann ein Gesichts- und Kopf-Rundumschutz erforderlich sein.

◆ Bei Nichtbeachtung dieser Sicherheitsvorkehrungen sind Ihr Augenlicht und Ihr Gehör gefährdet, und es drohen sonstige schwere Verletzungen.



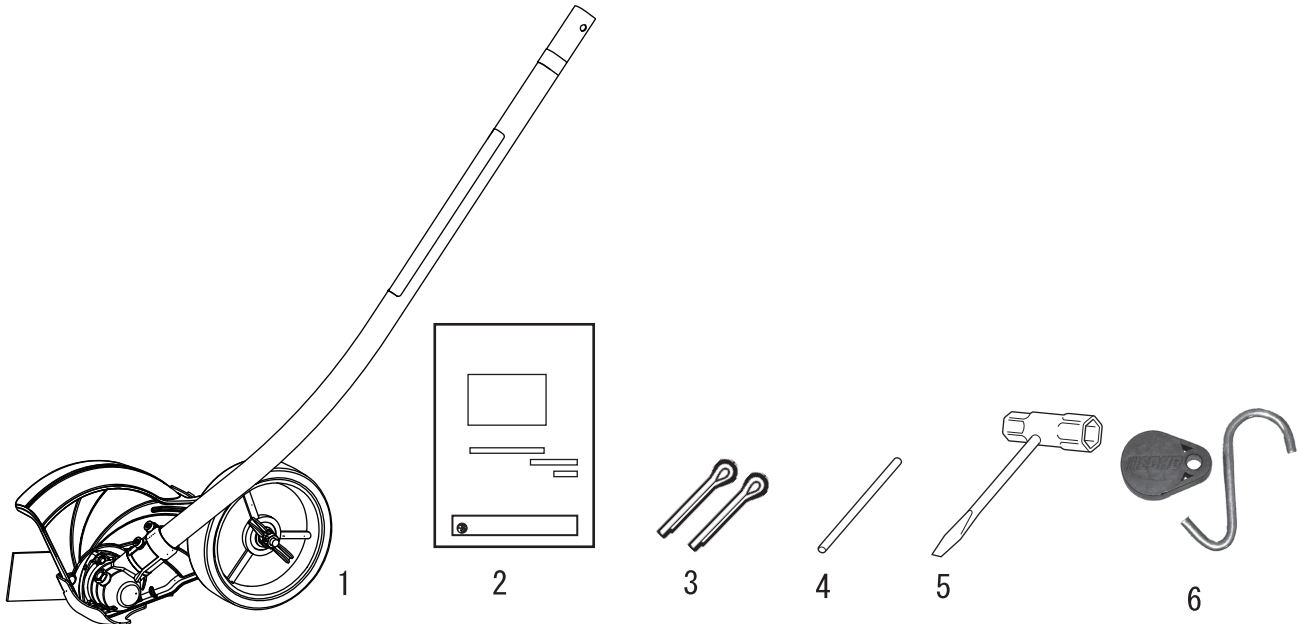


1. **Messer** Schneidet durch Drehen.
2. **Schutzschild/Klappe** Über der Schneidvorrichtung angebracht. Dient dem Schutz des Bedieners, indem es Schneidgut während des Kantenscheidens weg leitet.
3. **Baugruppe Rohr mit Antriebswelle** Besteht aus einem speziell geformten Rohr und der flexiblen Antriebswelle.
4. **Rad** Einstellbar nach oben/unten zur Einstellung der Messertiefe.
5. **Typ und Seriennummer**

# Bevor Sie beginnen

## Packliste

- Die nachfolgend aufgeführten Einzelteile sind in der Verpackung enthalten.
- Überprüfen Sie nach dem Auspacken die Vollständigkeit des Inhalts.
- Wenden Sie sich an Ihren Händler, wenn Teile fehlen oder beschädigt sind.



1. Kantenschneider-Anbauteil
2. Bedienungsanleitung
3. Splinte

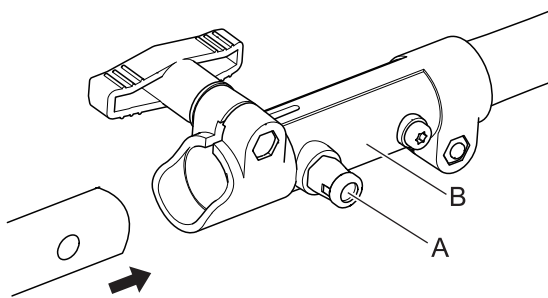
4. Arretierwerkzeug
5. Steckschlüssel
6. Lagerungshaken-Baugruppe

## Zusammenbau

### **WARNUNG**

**Lesen Sie die Bedienungsanleitung aufmerksam durch, um sicherzustellen, dass Sie das Produkt korrekt zusammenbauen.**

- ◆ Die Verwendung eines falsch zusammengebauten Produkts kann zu Unfällen bzw. schweren Verletzungen führen.

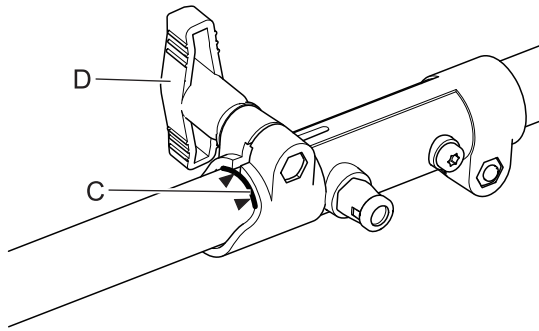


### **Baugruppe Rohr mit Motoreinheit/unteres Rohr**

1. Stellen Sie die Baugruppe Motoreinheit/Rohr auf eine ebene Fläche.
2. Ziehen Sie den Positionierstift (A) heraus, und drehen Sie ihn zur Entriegelung um eine Vierteldrehung nach links.
3. Entfernen Sie die PVC-Kappe von der Baugruppe Rohr mit Antriebswelle.



# Bevor Sie beginnen



4. Schieben Sie das Anbauteil für die Baugruppe Rohr mit Antriebswelle vorsichtig in das Verbindungselement (B) bis zur entsprechenden Markierung des Aufklebers (C). Dabei muss das innen liegende untere Rohr mit Antriebswelle in der Vierkantaufnahme des oberen Rohrs mit Antriebswelle einrasten.

## HINWEIS

Das untere Lagergehäuse und der Gerätekopf müssen mit der Motoreinheit auf einer Linie liegen.

5. Drehen Sie den Positionierstift (A) um eine Vierteldrehung nach rechts, bis er im unteren Rohrloch einrastet. Achten Sie darauf, dass der Positionierstift vollständig eingerastet ist, indem Sie versuchen, die untere Antriebswelle zu drehen. Der Positionierstift muss im Verbindungselement einschnappen und darf nicht hervorstehen. Durch das vollständige Einrasten wird vermieden, dass sich die Welle dreht.
6. Befestigen Sie die untere Rohrbaugruppe am Verbindungselement durch Festziehen des Feststellers (D).
7. Zum Zerlegen die Schritte in umgekehrter Reihenfolge durchführen.

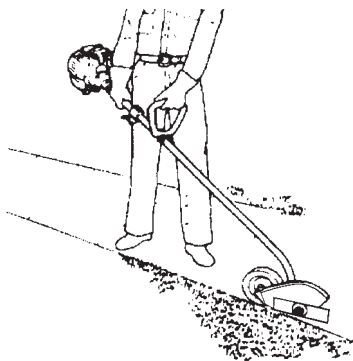
# Betrieb

Vor dem Betrieb muss eine vollständige Kontrolle des Geräts durchgeführt werden;

- Kontrollieren Sie das Gerät auf lose/fehlende Muttern und Schrauben. Ziehen Sie diese an oder ersetzen Sie sie nach Bedarf.
- Überprüfen Sie das Schutzschild auf Schäden und sicheren Sitz. Sorgen Sie bei beschädigtem oder fehlendem Schutzschild für Ersatz.
- Stellen Sie sicher, dass das Messer fest angebracht ist und die Betriebssicherheit gewährleistet ist. Ein stumpfes, loses oder beschädigtes Messer darf nicht verwendet werden.

## HINWEIS

Schlagen Sie in der Bedienungsanleitung des Motorkopfs die entsprechenden Anweisungen zum richtigen Betanken, Starten und Stoppen des Motors nach.



## Betriebsweisen

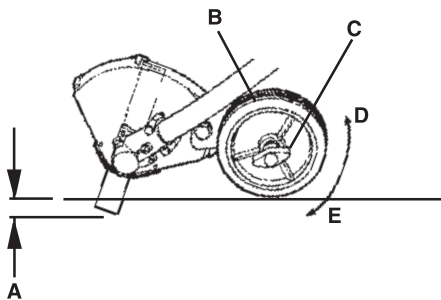
1. Wässern Sie vor dem Kantenschneiden den Bereich, um den Boden aufzuweichen und das Kantenschneiden zu vereinfachen.
2. Kontrollieren Sie vor dem Kantenschneiden den Arbeitsbereich und beseitigen Sie alle Hindernisse und Objekte, die fortgeschleudert werden könnten.
3. Organisieren Sie ein regelmäßiges Kantenschneiden, damit eine saubere Kante leichter und in einem Durchgang gelingt.

## HINWEIS

Die Messertiefe muss ggf. wegen der Höhenunterschiede zwischen der harten Oberfläche und der Grasoberkante angepasst werden.

## ⚠️ WARNUNG

Die Messerhöhe nie bei laufendem Motor einstellen, ansonsten besteht die Gefahr schwerer Verletzungen.



A: 13 mm

B: Rad

C: Einstellknopf

D: Tiefe erhöhen

E: Tiefe verringern

4. Stellen Sie die Schnitttiefe des Messers so ein, dass bei minimaler Messertiefe ein feiner Schnitt zwischen Gehweg und Gras entsteht; üblicherweise sind das 13 mm Messertiefe.
5. Planen Sie vor dem Kantenschneiden Ihre Laufrichtung, so dass das Gerät immer zu Ihrer Rechten steht und Sie wann immer möglich auf einer befestigten Fläche laufen.
6. Halten Sie den Kantenschneider wie abgebildet.
7. Wenn Sie mit dem Kantenschneiden beginnen, betreiben Sie den Motor bei Vollgas und senken das Messer vorsichtig in das Gras ab. Achten Sie dabei darauf, dass das Messer nicht mit befestigten Flächen in Berührung kommt.
8. Üben Sie keinen Zwang auf das Messer aus. Bewegen Sie es nur vorwärts, wenn es sich bewegen lässt.

## ⚠️ WARNUNG

Stellen Sie sicher, dass Sie vor dem Kantenschneiden die Bedienungsanleitung vollständig gelesen haben, um die Gefahr schwerwiegender Verletzungen zu vermeiden.

## ⚠️ WARNUNG

Das komplette Gerät kann im Betrieb sehr heiß werden, insbesondere die Baugruppe Rohr mit Antriebswelle und der Bereich des Schalldämpfers. Vermeiden Sie eine Berührung während und unmittelbar nach dem Einsatz, ansonsten besteht die Gefahr schwerer Verletzungen.

## **WARNUNG**

Bewegte Teile können Finger amputieren oder schwere Verletzungen verursachen. Hände, Kleidung und lose Gegenstände von allen Öffnungen fernhalten. Immer den Motor abstellen, das Zündkabel abziehen und sicherstellen, dass alle bewegten Teile zu einem vollständigen Stillstand gekommen sind, bevor Hindernisse entfernt, Schneidgut beseitigt oder das Gerät gewartet wird. Lassen Sie das Gerät abkühlen, bevor Sie eine Wartung durchführen. Zum Schutz der Hände vor scharfen Kanten und heißen Flächen stets Schutzhandschuhe tragen.

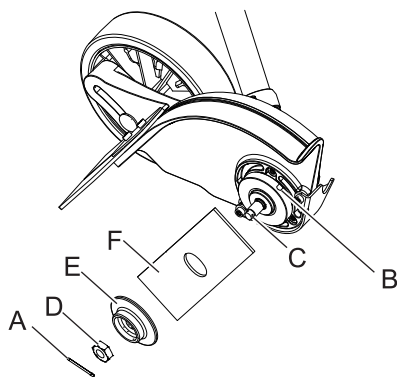
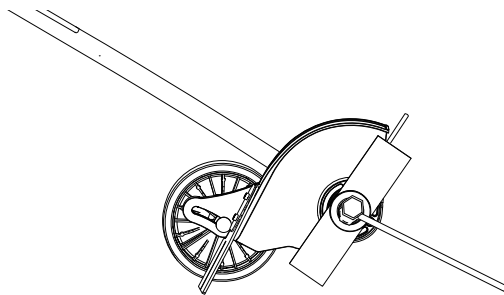
### Wartungsrichtlinien

Komponente	Wartung	Häufigkeit
Antriebswelle	Schmieren	Alle 25 Betriebsstunden
Messerantrieb	Schmieren	Alle 15-25 Betriebsstunden
Schrauben, Bolzen und Muttern	Überprüfen, festziehen, ersetzen	Vor jedem Einsatz

### Wartung und Pflege

Wenden Sie sich bei Fragen oder Problemen bitte an Ihren Händler.

#### Messer ersetzen/schmieren



#### Messerantrieb

### HINWEIS

Den Messerantrieb alle 15 – 25 Betriebsstunden schmieren. Ersetzen Sie das Messer, wenn es durch Verschleiß kürzer als 15 cm geworden ist. Entfernen Sie vor dem Schmieren das Messer aus der Halter, um Schäden an Getrieben und Lagern zu verhindern.

1. Stellen Sie den Motor ab.
2. Entfernen Sie den Splint (A).
3. Drehen Sie das Messer, bis die Löcher im inneren Messerhalter (B) und dem Messerantrieb fluchten. Stecken Sie das Arretierwerkzeug ein, um die Zapfwelle (C) zu arretieren.

### HINWEIS

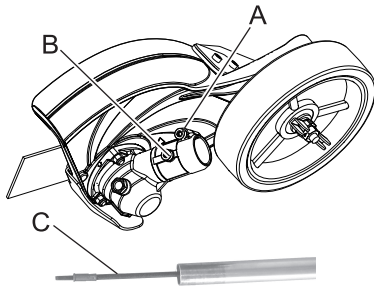
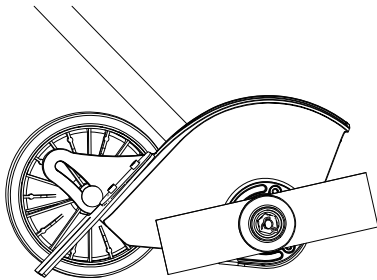
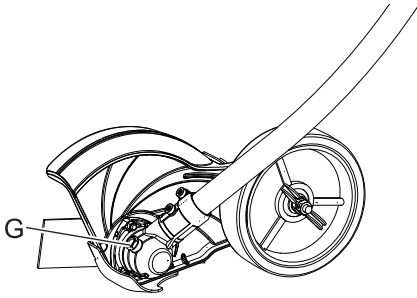
Die Schutzschildabdeckung ist zur Illustration nicht abgebildet.

### HINWEIS

Die Messermutter (D) hat ein Linksgewinde.

4. Entfernen Sie die Messermutter (D) durch Drehen im Uhrzeigersinn mit einem Montageschlüssel. Entfernen Sie den äußeren Messerhalter (E), das Messer (F) und den inneren Messerhalter (B).

# Wartung und Pflege



5. Schrauben Sie den Stopfen (G) aus und füllen Sie den Messerantrieb mit Fett. Schrauben Sie den Stopfen wieder ein.
6. Montieren Sie den inneren Messerhalter (B) auf die Zapfwelle (C).
7. Montieren und zentrieren Sie ein neues Messer (F) auf dem inneren Halter (B).
8. Montieren Sie den äußeren Halter (E) und die Mutter (D). Ziehen Sie die Mutter (D) gegen den Uhrzeigersinn fest.

## WICHTIG

Verwenden Sie den alten Splint nicht wieder.

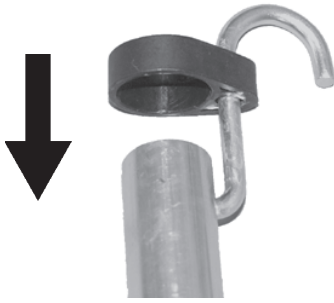
9. Montieren Sie einen neuen Splint (A) zum Sichern der Mutter.

## Antriebswelle (untere)

## WICHTIG

Die untere und obere Antriebswelle muss alle 25 Betriebsstunden mit einem Hochtemperaturschmiermittel für Kraftfahrzeuge geschmiert werden, ansonsten kann die Antriebswelle heiß laufen und es kann zum Ausfall kommen.

1. Lösen Sie den Klemmbolzen am Getriebegehäuse (A) und entfernen Sie die Fixierschraube (B). Ziehen Sie den Messerantrieb und das Schutzschild aus dem Rohr für die Antriebswelle.
2. Ziehen Sie die flexible Antriebswelle (C) aus dem Rohr. Wischen Sie sie sauber und benetzen Sie sie wieder mit einem dünnen Film von 15 ml Hochtemperaturschmiermittel.
3. Schieben Sie die flexible Antriebswelle (C) zurück in das Rohr. Achten Sie darauf, dass kein Schmutz auf die flexible Antriebswelle gerät.
4. Montieren Sie den Messerantrieb und das Schutzschild.



## Montage des Lagerungshakens

1. Führen Sie das kleine Ende des Hakens in das Positionierloch an der Anbauwelle.
2. Schieben Sie die Kunststoffkappe auf das Ende der Anbauwelle.

# Technische Daten

		MTA-LE/E
<b>Außenabmessungen:</b> Länge × Breite × Höhe	mm	787 × 235 × 299
<b>Gewicht:</b> Gerät ohne Schneidvorrichtung	kg	2,4
<b>Schneidvorrichtung:</b> Vorgeschriebener Messerdurchmesser Vorgeschriebene Messerbreite Vorgeschriebene Messerstärke Anzahl der Schneidzähne Durchmesser der Schneidmesserzentrierbohrung Maximale Rotationsfrequenz der Spindel	mm mm mm  mm U/min	197 51 2,3 2 25,4 5750
<b>Übersetzung:</b> Untersetzungsverhältnis Schmierung		2,07 Hochwertiges Lithiumfett
<b>Drehrichtung der Ausgangswelle von rechts gesehen</b>		Clockwise
<b>Schwingungspegel:</b> (ISO 22867) $a_{hv, eq}$ Vorderer Griff Hinterer Griff Unsicherheit: (K)	$m/s^2$ $m/s^2$ $m/s^2$	2,6 4,3 3,4
<b>Schalldruckpegel:</b> (ISO 22868) $L_{pAeq}$ Unsicherheit: ( $K_{pA}$ )	$dB(A)$ $dB(A)$	92,5 2,5
<b>Schalleistungspegel:</b> :(ISO 22868) $L_{WARa}$ Unsicherheit: ( $K_{WA}$ )	$dB(A)$ $dB(A)$	106,3 2,5
Anwendbare Modelle		PAS-2620ES

Änderungen der technischen Daten vorbehalten.

# Konformitätserklärung

Der unterzeichnete Hersteller:

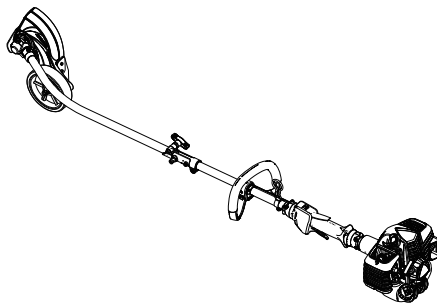
YAMABIKO CORPORATION  
1-7-2 Suehirocho  
Ohme, Tokio 198-8760  
JAPAN

Diese Konformitätserklärung wird unter der alleinigen Verantwortung des Herstellers erstellt.

erklärt, dass das nachstehend spezifizierte neue Gerät:

## PRO ATTACHMENT SERIE

Marke: **ECHO**  
Typ: **PAS-2620ES + MTA-LE/E**



montiert durch:

ECHO, INCORPORATED  
400 Oakwood Road  
Lake Zurich, Illinois 60047-1564  
USA

Folgendem entspricht:

- \* Anforderungen der Richtlinie **2006/42/EG** (Verwendung der harmonisierten Norm **EN ISO 11789: 1999**)
- \* Anforderungen der Richtlinie **2014/30/EU** (Verwendung der harmonisierten Norm **EN ISO 14982: 2009**)
- \* Anforderungen der Richtlinie **2011/65/EU** (Verwendung der harmonisierten Norm **EN 50581: 2012**)
- \* Anforderungen der Richtlinie **2000/14/EG**

Konformitätsbewertungsverfahren nach **ANHANG V**

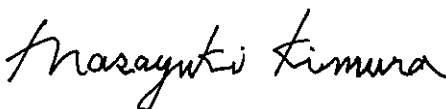
Gemessener Schalleistungspegel : 106 dB(A)

Garantierter Schalleistungspegel : 109 dB(A)

Seriennummer 35101001 bis 35200000

Tokio, 1. Januar 2019

## YAMABIKO CORPORATION



**Masayuki Kimura**  
**Hauptabteilungsleiter**  
**Abteilung Qualitätssicherung**

**Der Dokumentenbevollmächtigte in Europa, welcher autorisiert ist, die technischen Daten zusammenzustellen.**

Unternehmen: CERTIFICATION EXPERTS B.V.  
Adresse: P.O. box 5047, Merwedeweg 2, 3621 LR Breukelen, Niederlande

**Herr Richard Glaser**

## NOTIZEN



## NOTIZEN

**YAMABIKO CORPORATION**  
1-7-2 Suehirocho, Ohme, Tokio 198-8760, JAPAN  
TELEFON: 81-428-32-6118. FAX: 81-428-32-6145.



X771209-5202



IT ITALIANO  
(Istruzioni originali)

# MANUALE PER L'OPERATORE

## Tagliabordi Serie Pro Attachment MTA-LE/E

### AVVERTENZA



LEGGERE E SEGUIRE ATTENTAMENTE LE ISTRUZIONI PER LAVORARE IN CONDIZIONI DI MASSIMA SICUREZZA. LA MANCATA OSSERVANZA DELLE ISTRUZIONI POTREBBE PROVOCARE LESIONI GRAVI.



# Informazioni importanti

---

**Si raccomanda di leggere il manuale per l'operatore prima di utilizzare questo prodotto.**

## ○ Introduzione

- ♦ Questo prodotto è stato progettato e costruito per durare a lungo e fornire la massima affidabilità di funzionamento. Leggere e familiarizzare con le istruzioni riportate sul manuale contenuto all'interno della confezione del prodotto. Sono facili da utilizzare e vengono forniti con suggerimenti molto utili e messaggi inerenti la SICUREZZA.

## ○ Utenti del prodotto

- ♦ Prima di utilizzare questo prodotto leggere attentamente e assimilare il contenuto del manuale per l'operatore.
- ♦ Non utilizzare questo prodotto senza aver prima letto attentamente il manuale per l'operatore, non utilizzare il prodotto in condizioni debilitate a causa di raffreddore o stanchezza o in condizioni fisiche e psicologiche non ottimali; inoltre vietare l'uso ai bambini.
- ♦ Tenere presente che l'operatore o l'utente è responsabile di eventuali rischi o incidenti provocati ad altre persone o alle proprietà altrui.

## ○ Informazioni sul manuale per l'operatore

- ♦ Questo manuale contiene informazioni necessarie per l'assemblaggio, il funzionamento e la manutenzione del prodotto. Si raccomanda di leggerlo attentamente e di assimilarne il contenuto.
- ♦ Tenere sempre il manuale in un luogo facilmente accessibile.
- ♦ Se il manuale viene smarrito o danneggiato e non può essere consultato, acquistarne uno nuovo presso il proprio rivenditore.
- ♦ Le unità di misura utilizzate in questo manuale sono espresse in conformità al sistema internazionale. Le cifre riportate tra parentesi sono valori di riferimento e in alcuni casi ci potrebbero essere lievi errori di conversione.

## ○ Prestito o cessione del prodotto

- ♦ In caso di prestito o cessione del prodotto descritto in questo manuale, consegnare alla persona che lo riceve in prestito e che dovrà utilizzarlo anche il manuale per l'operatore. Se si cede o vende il prodotto a terzi, consegnare anche il manuale dell'operatore assieme al prodotto.

## ○ Richieste

- ♦ Per ricevere ulteriori informazioni sul prodotto, per l'acquisto di articoli di consumo, per riparazioni e altre eventuali richieste, contattare il proprio rivenditore.

## ○ Avvisi

- ♦ Il contenuto di questo manuale può essere modificato senza preavviso per renderlo conforme a eventuali aggiornamenti del prodotto. Al fine di illustrare con maggiore chiarezza le spiegazioni sul prodotto, alcune illustrazioni potrebbero essere differenti da quelle del prodotto reale.
- ♦ Questo prodotto richiede l'assemblaggio di alcune parti.
- ♦ Per ulteriori chiarimenti, consultare il proprio rivenditore.

## **IMPORTANTE**

**Questo accessorio è stato progettato per essere utilizzato con PAS-2620ES. L'uso di questo accessorio con qualsiasi altro prodotto provocherà guasti prematuri della scatola degli ingranaggi, causando l'invalidamento della garanzia.**

## **AVVERTENZA**

**Leggere attentamente le norme di sicurezza e le istruzioni. YAMABIKO fornisce un Manuale per l'operatore unitamente al prodotto PAS-2620ES originale. Leggere e comprendere le istruzioni di funzionamento corretto e le norme di sicurezza riportate su tale manuale e sul presente manuale onde evitare lesioni personali.**

## **Produttore:**

**YAMABIKO CORPORATION**

**1-7-2 Suehirocho, Ohme, Tokyo 198-8760, GIAPPONE**

## **Rappresentante autorizzato in Europa:**

**CERTIFICATION EXPERTS B.V.**

**P.O. box 5047, Merwedeweg 2, 3621 LR Breukelen, Paesi Bassi**

Per un uso sicuro del prodotto .....	4
Messaggi di avviso .....	4
Altri indicatori .....	4
Simboli .....	4
Posizione in cui è applicata una decalcomania .....	5
Gestione del prodotto .....	6
Descrizione .....	9
Prima di iniziare .....	10
Contenuto della confezione .....	10
Montaggio .....	10
Funzionamento .....	12
Manutenzione e cura .....	13
Guida alla manutenzione .....	13
Manutenzione e cura .....	13
Rimessaggio .....	15
Caratteristiche tecniche .....	16
Dichiarazione di conformità .....	17

# Per un uso sicuro del prodotto

## Leggere questa sezione prima di utilizzare il prodotto.




○ Le precauzioni descritte in questa sezione contengono importanti informazioni per la sicurezza. Si raccomanda di seguirle scrupolosamente.

○ Leggere anche le precauzioni presenti all'interno del manuale.

Il testo seguito da un contrassegno [a forma di rombo] descrive le potenziali conseguenze che si potrebbero verificare in caso di mancata osservanza delle precauzioni.


## Messaggi di avviso

Situazioni in cui c'è il rischio di causare lesioni fisiche all'utente e ad altre persone sono indicate in questo manuale e sul prodotto, con le seguenti avvertenze. Leggerle e osservarle sempre per lavorare in condizioni di massima sicurezza.

 <b>PERICOLO</b>	 <b>AVVERTENZA</b>	 <b>ATTENZIONE</b>
Questo simbolo accompagnato dalla parola " <b>PERICOLO</b> " richiama l'attenzione su un'azione o una condizione che potrebbe causare infortuni gravi o la morte di utenti o di persone presenti.	Questo simbolo accompagnato dalla parola " <b>AVVERTENZA</b> " richiama l'attenzione su un'azione o una condizione che potrebbe causare lesioni gravi o la morte di utenti o di persone presenti.	" <b>ATTENZIONE</b> " indica una situazione potenzialmente pericolosa che, se non evitata, potrebbe causare lesioni minori o moderate.

## Altri indicatori

Oltre alle avvertenze, questo manuale utilizza i seguenti simboli esplicativi:

	Il cerchietto barrato sta ad indicare che quanto è illustrato è proibito.	<b>NOTA</b>	Il messaggio qui riportato fornisce consigli per l'uso, la cura e la manutenzione del prodotto.	<b>IMPORTANTE</b>	Il testo incorniciato, caratterizzato dalla parola " <b>IMPORTANTE</b> ", contiene informazioni importanti riguardo l'uso, il controllo, la manutenzione e il rimessaggio del prodotto descritto in questo manuale.
--	---	-------------	---	-------------------	---

## Simboli

In questo manuale e sul prodotto sono riportati alcuni simboli esplicativi. Accertarsi di aver ben compreso il significato di tutti i simboli.

Forma del simbolo	Descrizione / applicazione del simbolo	Forma del simbolo	Descrizione / applicazione del simbolo
	Leggere attentamente il manuale per l'operatore		Tenere gli astanti a una distanza di 15 m
	Indossare protezioni per occhi, orecchi e testa		Prestare attenzione nelle aree ad alta temperatura
	Indossare protezioni per i piedi e guanti		Tenere i piedi a debita distanza dalla lama
	Oggetti scagliati		Attenzione alle scosse elettriche

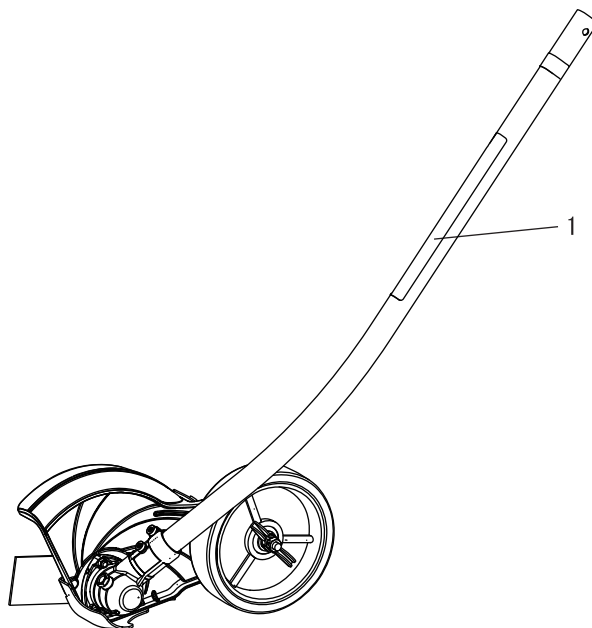
# Per un uso sicuro del prodotto

## Posizione in cui è applicata una decalcomania

- La decalcomania riportata sotto è stata applicata sui prodotti descritti in questo manuale. Prima di utilizzare il prodotto accertarsi di aver capito il significato della decalcomania.
- Se la decalcomania diventa illeggibile a causa dell'usura, si strappa o si stacca e si perde, acquistarne una di ricambio presso il rivenditore e fissarla nel punto illustrato nella figura in basso. Accertarsi che la decalcomania sia sempre leggibile.



1. Decalcomania (Codice ricambio 890160-25560)



# Per un uso sicuro del prodotto

## Gestione del prodotto Precauzioni generali

### AVVERTENZA

#### Manuale per l'operatore

- Per un corretto funzionamento del prodotto, prima di utilizzarlo leggere attentamente il manuale per l'operatore.
- ◆ La mancata osservanza di queste precauzioni potrebbe causare un incidente o lesioni.



#### Non utilizzare il prodotto per eseguire lavori diversi da quelli per cui è stato progettato

- Non utilizzare il prodotto per eseguire lavori diversi da quelli descritti nel manuale dell'operatore.
- ◆ La mancata osservanza di queste precauzioni potrebbe causare un incidente o lesioni gravi.

#### Non modificare il prodotto

- Non modificare il prodotto.
- ◆ La mancata osservanza di queste precauzioni potrebbe causare un incidente o lesioni gravi. Qualsiasi guasto causato da modifiche apportate al prodotto non sarà coperta dalla garanzia del produttore.

#### Non utilizzare il prodotto senza aver effettuato prima il controllo e la manutenzione

- Non utilizzare il prodotto senza aver effettuato prima il controllo e la manutenzione. Accertarsi sempre che il controllo e la manutenzione vengano eseguiti a scadenze regolari.
- ◆ La mancata osservanza di queste precauzioni potrebbe causare un incidente o lesioni gravi.

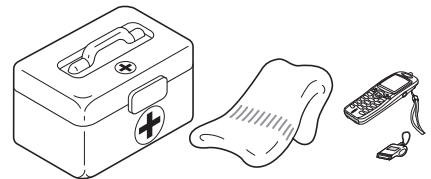
#### Prestito o cessione del prodotto

- In caso di prestito del prodotto, consegnare alla persona che lo riceve anche il manuale dell'operatore.
- Anche in caso di cessione, consegnare il prodotto insieme al manuale per l'operatore.
- ◆ La mancata osservanza di queste precauzioni potrebbe causare un incidente o lesioni gravi.

#### Essere pronti in caso di lesioni

Nell'improbabile evento di incidente o lesioni è consigliabile essere preparati.

- Cassetta di pronto soccorso
- Asciugamani e fazzoletti (per fermare eventuali emorragie)
- Fischiello o telefono cellulare (per chiedere aiuto)
- ◆ Se non si è in grado di effettuare un primo soccorso o chiedere aiuto, le lesioni potrebbero peggiorare.



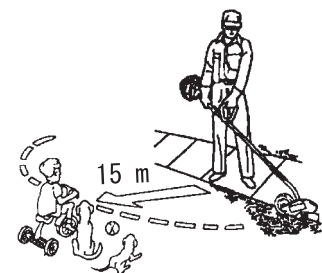
## Precauzioni per l'uso

### AVVERTENZA

#### L'area nel raggio di 15 m deve essere considerata zona pericolosa

L'area nel raggio di 15 m dal prodotto deve essere considerata zona pericolosa. Osservare le seguenti precauzioni mentre si sta lavorando con il prodotto.

- Non permettere a bambini, altre persone o animali di entrare nella zona pericolosa.
- Se altre persone entrano nella zona pericolosa, spegnere il motore per fermare la lama
- Per all'operatore, fargli prima un segnale, ad esempio gettando dei ramoscelli dall'esterno della zona pericolosa, quindi controllare che il motore sia spento e la lama ferma.
- Non permettere a nessuno di mantenere fermo il materiale che si sta tagliando.
- ◆ Qualsiasi contatto con la lama può causare lesioni gravi.



#### Evitare di toccare le superfici surriscaldate

Durante il funzionamento, l'intera unità può surriscaldarsi, in particolare l'alloggiamento dell'albero motore, la testa, l'area della marmitta e il carter ingranaggi. Evitare di toccare questi componenti durante e subito dopo il funzionamento.

- ◆ Il contatto con componenti ad alta temperatura potrebbe causare ustioni.





# Per un uso sicuro del prodotto

## AVVERTENZA

### Utenti del prodotto

Il prodotto non deve essere utilizzato da:

- persone stanche
- persone che hanno assunto bevande alcoliche
- persone sotto trattamento farmacologico
- persone in stato di gravidanza
- persone in condizioni fisiche precarie
- persone che non hanno letto il manuale dell'utente
- bambini

◆ La mancata osservanza di queste istruzioni potrebbe provocare incidenti.



### Ambiente di utilizzo e funzionamento

○ Non utilizzare il prodotto su terreni instabili, ad esempio con forti pendenze o dopo un acquazzone, oppure su terreni scivolosi e pericolosi.

○ Non utilizzare il prodotto di notte o in zone con scarsa visibilità.

○ Non utilizzare il prodotto in posizioni inusuali o su scale. né utilizzarlo eccessivamente.

◆ Cadute, scivolate o un uso non corretto del prodotto potrebbero causare lesioni gravi.

○ Per un uso salutare, sicuro e confortevole, utilizzare la macchina solo a temperature comprese nell'intervallo da -5 °C a 40°C.

◆ La mancata osservanza di queste istruzioni potrebbe causare danni alla salute.

### Spegnere il motore durante gli spostamenti

Durante gli spostamenti, nelle situazioni descritte di seguito, spegnere il motore.

○ Spostamenti verso l'area in cui si sta lavorando

○ Spostamenti verso un'altra area mentre si sta lavorando

○ Abbandono dell'area in cui è stato eseguito il lavoro

◆ La mancata osservanza di queste precauzioni potrebbe causare scottature o lesioni gravi.

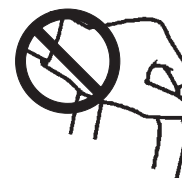
○ Durante il trasporto del prodotto in automobile, svuotare il serbatoio del carburante e fissare saldamente il prodotto per evitare che si sposti durante il viaggio.

◆ Viaggiare in automobile con carburante all'interno del serbatoio potrebbe causare un incendio.

### Mantenere una presa stabile

○ Afferrare le impugnature anteriore e posteriore con entrambe le mani, con i pollici e le dita stretti attorno alle impugnature.

◆ La mancata osservanza di queste istruzioni potrebbe provocare incidenti.



### Vibrazioni e freddo

Si ritiene che la condizione definita fenomeno di Raynaud, che colpisce le dita di alcune persone, sia causata dall'esposizione alle vibrazioni e al freddo. L'esposizione al freddo e alle vibrazioni può causare formicolio e bruciore, seguiti da pallore e intorpidimento delle dita.

Dato che non si conosce il livello di esposizione minima che causa i disturbi, si consiglia vivamente di osservare le seguenti precauzioni.

○ Tenere il corpo caldo, soprattutto testa, collo, piedi, caviglie, mani e polsi.

○ Mantenere una buona circolazione del sangue facendo vigorosi esercizi con le braccia durante frequenti pause di lavoro, ed evitare di fumare.

○ Limitare il numero di ore di impiego.

Cercare di pianificare altri lavori nell'arco della giornata lavorativa, in cui non sia richiesto l'uso del decespugliatore o di altre macchine portatili.

○ Se si accusano disagi e disturbi e se si riscontrano arrossamenti e gonfiore delle dita seguiti da pallore e perdita di sensibilità, rivolgersi al proprio medico prima di esporsi di nuovo al freddo e alle vibrazioni.

◆ La mancata osservanza di queste istruzioni potrebbe causare danni alla salute.

# Per un uso sicuro del prodotto

## AVVERTENZA

### Lesioni da sforzi ripetuti

Si ritiene che l'uso eccessivo dei muscoli e dei tendini di dita, mani, braccia e spalle possa causare dolore, gonfiore, intorpidimento, debolezza e fortissimi dolori nelle zone menzionate. Alcune attività manuali ripetitive possono essere causa di alto rischio per lo sviluppo di lesioni da sforzi ripetitivi.

Per ridurre il rischio di lesioni da sforzi ripetitivi:

- Evitare di usare il polso piegato, allungato o girato.
  - Fare pause a intervalli regolari per ridurre al minimo i movimenti ripetuti e far riposare le mani. Ridurre la velocità e la forza con cui il movimento ripetitivo viene eseguito.
  - Fare esercizi per rafforzare i muscoli delle mani e delle braccia.
  - Consultare un medico se si avverte formicolio, intorpidimento o dolori nelle dita, nelle mani, nei polsi o nelle braccia. Una tempestiva diagnosi di lesioni da sforzi ripetitivi consente di evitare danni permanenti ai nervi e ai muscoli.
- ◆ La mancata osservanza di queste istruzioni potrebbe causare danni alla salute.

### **Addestramento**

**Non permettere a nessuno di azionare l'attrezzo senza idoneo addestramento o attrezzature di protezione adeguate.**

Acquisire dimestichezza con i comandi e il corretto impiego dell'attrezzo.

Imparare ad arrestare l'attrezzo e a spegnere il motore.

Non permettere a nessuno di utilizzare l'attrezzo senza idoneo addestramento.

### **Indumenti protettivi**

## AVVERTENZA

### Indossare indumenti protettivi

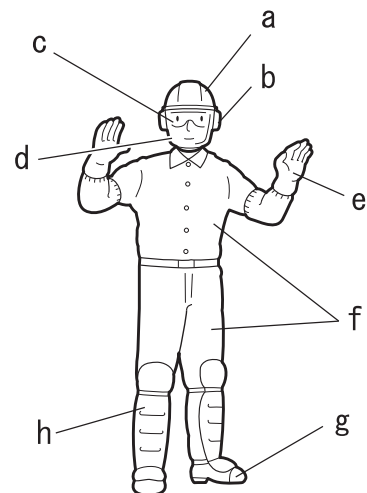
Indossare sempre i seguenti indumenti protettivi.

- a Casco (elmetto):** Protegge la testa
- b Protezioni acustiche o tappi per le orecchie:** Proteggono l'udito
- c Occhiali di protezione:** Proteggono gli occhi
- d Schermo facciale:** Protegge il viso
- e Guanti protettivi:** Proteggono le mani dal freddo e dalle vibrazioni
- f Indumenti da lavoro aderenti (maniche lunghe e pantaloni lunghi):** Proteggono il corpo
- g Stivali protettivi antiscivolo per lavori pesanti (con protezione delle punte) o scarpe da lavoro antiscivolo (con protezione delle punte):** Proteggono i piedi
- h Parastinchi:** Proteggono gli stinchi

◆ La mancata osservanza di queste precauzioni potrebbe causare danni alla vista o all'udito o lesioni gravi.

Se necessario, utilizzare anche i seguenti indumenti.

- **Respiratore:** Protegge l'apparato respiratorio
- **Rete anello di metallo:** Per proteggersi dalle api

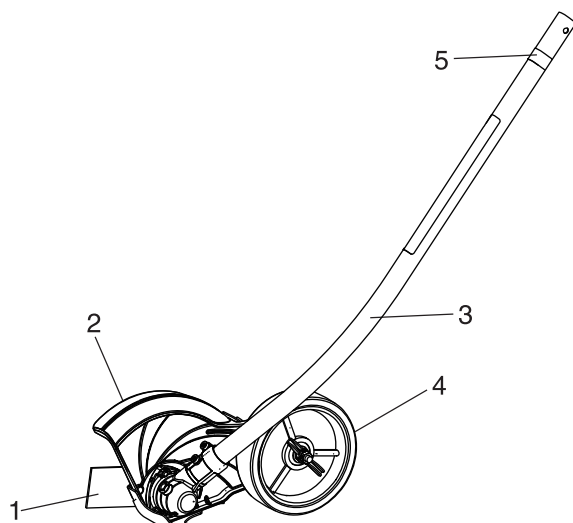


### Indossare indumenti idonei.

**Non indossare cravatte, gioielli o vestiti poco aderenti che potrebbero restare impigliati nella macchina. Non indossare calzature aperte, non lavorare a piedi nudi o a gambe nude. In alcuni casi potrebbe essere necessario proteggere sia il viso che la testa.**

◆ La mancata osservanza di queste precauzioni potrebbe causare danni alla vista o all'udito o lesioni gravi.



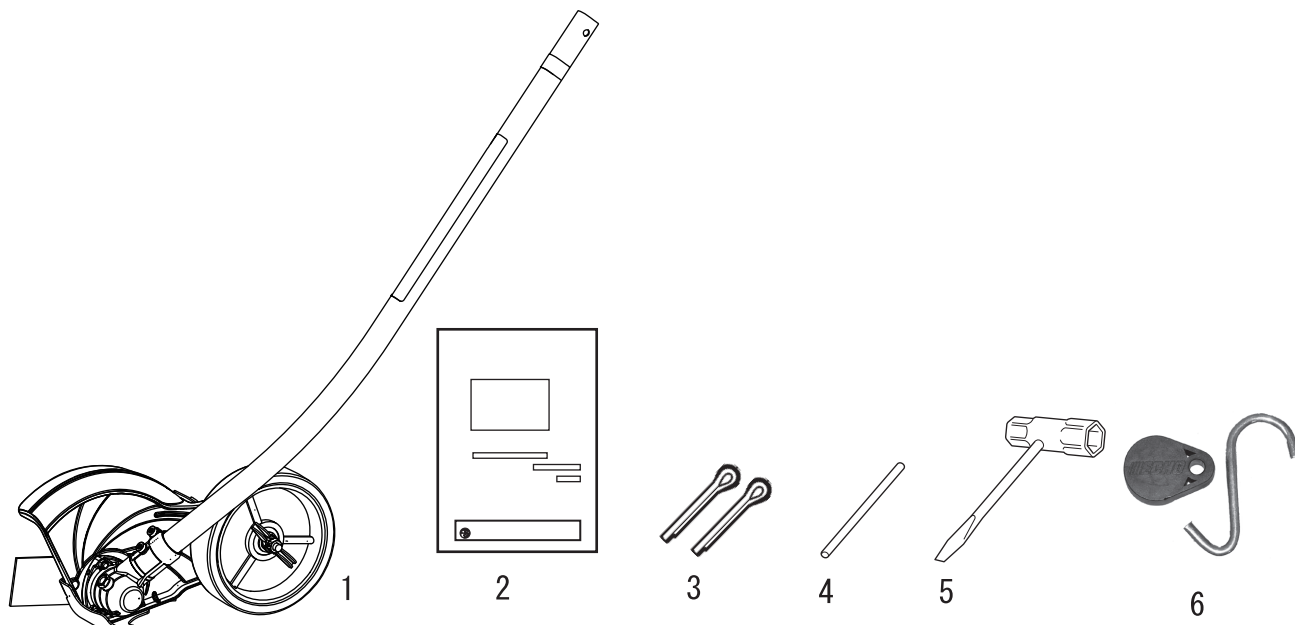


1. **Lama** Esegue il taglio ruotando.
2. **Protezione antidetriti** Da montare sull'accessorio di taglio. Protegge l'operatore deviando i detriti prodotti durante l'azione di rifilatura.
3. **Gruppo albero motore** Composto da un tubo dallo speciale design e dall'albero motore flessibile.
4. **Ruota** Regolabile in altezza, consente di impostare la profondità di taglio.
5. **Tipo e numero di serie**

# Prima di iniziare

## Contenuto della confezione

- ♦ Le seguenti parti sono state imballate separatamente nella scatola di imballaggio.
- ♦ Dopo aver aperto la confezione, controllare che siano presenti tutte le parti.
- ♦ In caso di parti mancanti o rotte, contattare il rivenditore.



1. Accessorio tagliabordi
2. Manuale per l'operatore
3. Coppiglie

4. Utensile di bloccaggio
5. Chiave a tubo
6. Gancetto porta-accessorio

## Montaggio

### AVVERTENZA

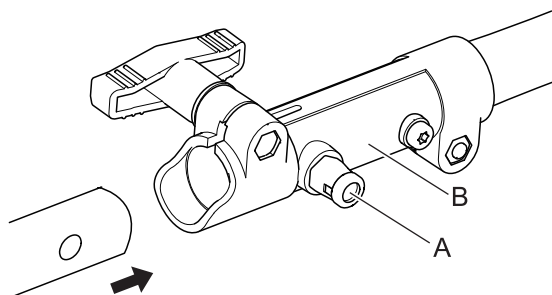
**Leggere attentamente il manuale per l'operatore per essere certi di montare correttamente il prodotto.**

♦ L'uso di un prodotto non montato correttamente potrebbe causare incidenti o lesioni gravi.

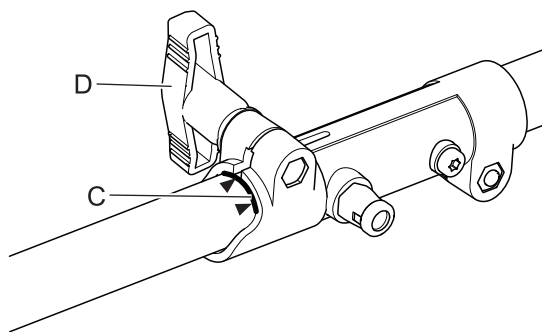


### Gruppo albero inferiore/testa dell'unità

1. Posizionare il gruppo albero/testa dell'unità su una superficie piana.
2. Tirare il perno di centraggio (A) e ruotarlo di un 1/4 di giro in senso antiorario per bloccarlo in posizione.
3. Rimuovere il tappo in vinile dall'albero dell'accessorio.



# Prima di iniziare



4. Innestare con cautela il gruppo albero motore nell'accoppiatore (B) fino alla decalcomania (C), prestando attenzione che l'albero motore inferiore interno si innesti correttamente nell'attacco quadro dell'albero motore superiore.

## NOTA

L'alloggiamento del cuscinetto inferiore e la testa dell'unità devono essere in linea con l'unità.

5. Ruotare il perno di centraggio (A) di 1/4 di giro in senso orario per innestarlo nel foro dell'albero inferiore. Accertarsi che il perno di centraggio sia innestato correttamente ruotando l'albero motore inferiore. Il perno di centraggio dovrebbe innestarsi nell'accoppiatore apparendo a filo con la superficie di quest'ultimo. Il completo inserimento dovrebbe impedire la rotazione dell'albero.
6. Fissare il gruppo albero inferiore all'accoppiatore serrando la manopola di serraggio (D).
7. Per lo smontaggio, invertire la sequenza delle istruzioni di montaggio.

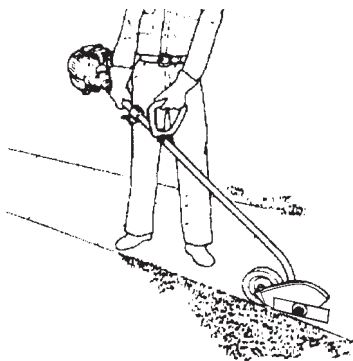
# Funzionamento

Prima di utilizzare l'accessorio, eseguire un controllo approfondito dell'unità.

- ♦ Controllare che non vi siano dadi, bulloni e viti allentate o mancanti. Serrare e/o sostituire secondo necessità.
- ♦ Controllare che la protezione antidetriti non sia danneggiata e che sia fissata saldamente in posizione. Sostituire la protezione se danneggiata o mancante.
- ♦ Controllare che la lama sia fissata saldamente e che sia in buone condizioni. Non utilizzare una lama non affilata, allentata o danneggiata.

## NOTA

Per le istruzioni corrette sul tipo di alimentazione, sul tipo di carburante ideale e sulle istruzioni di avvio e arresto, consultare il manuale per l'operatore.



## Tecniche di lavoro

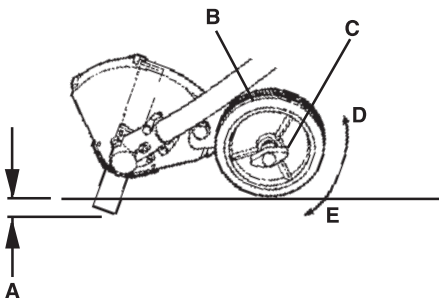
1. Prima della rifilatura, bagnare l'area con acqua per ammorbidire il terreno e agevolare l'operazione.
2. Prima della rifilatura, controllare l'area e rimuovere eventuali ostacoli e oggetti che potrebbero essere scagliati.
3. Pianificare interventi di rifilatura periodici per mantenere sempre il bordo pulito ed evitare di eseguire più di una passata.

## NOTA

A seconda della diversa altezza dell'erba da rifilare rispetto alla superficie solida, potrebbe essere necessario regolare la profondità di taglio.

## ⚠ AVVERTENZA

**Non regolare mai la profondità di taglio mentre il motore è in funzione, onde evitare gravi lesioni personali.**



A: 13 mm

B: Ruota

C. Manopola di regolazione

D: Per aumentare la profondità di taglio

E: Per diminuire la profondità di taglio

4. Regolare la profondità di taglio per ottenere un taglio regolare tra il marciapiede e l'erba utilizzando una profondità minima che corrisponde in genere a una immersione della lama nel suolo per 13 mm.
5. Prima della rifilatura, pianificare la direzione di lavoro in modo che l'operatore possa camminare il più possibile su una superficie solida con l'accessorio posizionato alla sua destra.
6. Tenere il tagliabordi come mostrato in figura.
7. Quando si inizia a rifilare, portare il motore alla massima accelerazione e abbassare gradualmente la lama nel terreno, prestando attenzione a non colpire il cemento con la lama.
8. Non forzare la lama. Avanzare solo fin dove la lama lo consente.

## ⚠ AVVERTENZA

**Prima della rifilatura, leggere attentamente e comprendere l'intero Manuale per l'operatore onde evitare il rischio di infortunarsi gravemente.**

## ⚠ AVVERTENZA

**L'intero gruppo, in particolare il gruppo motore e l'area di scarico marmitta possono surriscaldarsi durante l'uso. Evitare di toccarle durante e subito dopo il funzionamento, onde evitare gravi lesioni personali.**

## AVVERTENZA

Le parti rotanti possono amputare dita o causare gravi lesioni. Allontanare le mani, gli abiti ed eventuali oggetti pendenti da tutte le aperture. Prima di rimuovere eventuali ostruzioni, pulire i detriti o eseguire interventi di manutenzione sull'unità, arrestare sempre il motore, scollegare il cavo della candela e accertarsi che tutte le parti rotanti si siano arrestate completamente. Prima di eseguire un intervento di manutenzione, lasciare raffreddare l'unità. Indossare guanti per proteggere le mani da bordi taglienti e superfici surriscaldate.

### Guida alla manutenzione

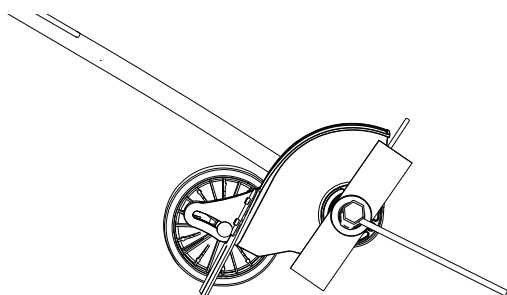
Parte	Manutenzione	Frequenza
Albero motore	Aggiungere del grasso	Ogni 25 ore d'uso
Carter ingranaggi	Aggiungere del grasso	Ogni 15-25 ore d'uso
Viti, bulloni e dadi	Ispezionare, serrare / sostituire	Prima di ciascun utilizzo

### Manutenzione e cura

In caso di dubbi o problemi, contattare il rivenditore.

#### Sostituzione/lubrificazione della lama

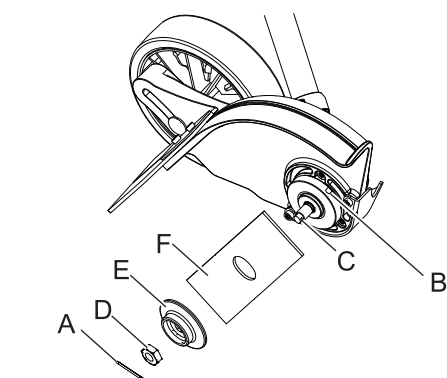
#### Carter ingranaggi



#### NOTA

Lubrificare il carter ingranaggi con grasso ogni 15-25 ore d'uso. Sostituire la lama quando risulta usurata per più di 6 poll. Prima di lubrificare con grasso, rimuovere la lama e i supporti per evitare di danneggiare l'ingranaggio e i cuscinetti.

1. Spegnerne il motore.
2. Rimuovere la coppiglia (A).
3. Ruotare la lama fino ad allineare i fori sull'adattatore interno della lama (B) e sul carter ingranaggi. Inserire l'utensile di bloccaggio per bloccare l'albero PDF (C).



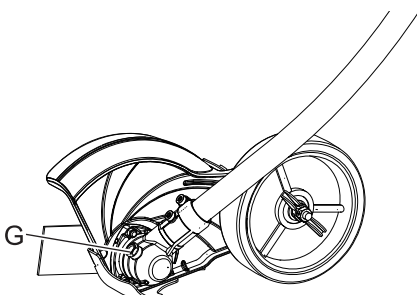
#### NOTA

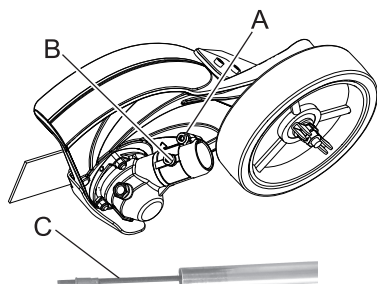
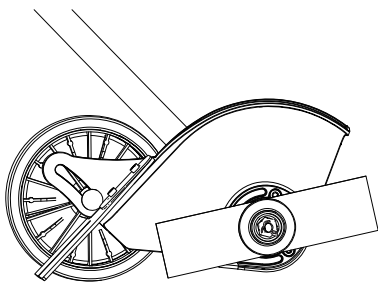
La copertura di protezione non è mostrata in figura per chiarezza.

#### NOTA

Il dado della lama (D) ha una filettatura sinistrorsa.

4. Rimuovere il dado della lama (D) svitandolo in senso orario con una chiave. Rimuovere l'adattatore esterno (E), la lama (F) e l'adattatore interno (B).
5. Rimuovere il tappo (G) e rifornire di grasso il carter ingranaggi. Rimontare il tappo.
6. Montare l'adattatore interno della lama (B) sull'albero PDF (C).
7. Montare e centrare la nuova lama (F) sull'adattatore interno (B).
8. Montare l'adattatore esterno (E) e il dado (D). Serrare il dado (D) fino in fondo, agendo in senso antiorario.





## IMPORTANTE

Non riutilizzare mai una coppiglia vecchia.

9. Montare una nuova coppiglia (A) per fissare il dado.

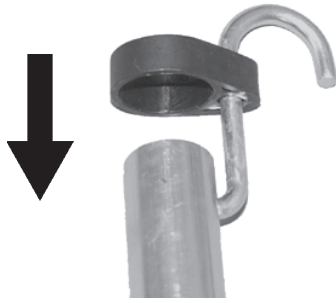
## Albero motore (inferiore)

### IMPORTANTE

L'albero motore inferiore e superiore deve essere lubrificato con grasso per autoveicoli resistente alle alte temperature ogni 25 ore di esercizio, altrimenti il gruppo albero motore si surriscalda e può andare incontro a eventuali danni.

1. Allentare i bulloni sull'involucro del carter ingranaggi (A) e rimuovere la vite di posizionamento (B). Rimuovere il carter ingranaggi e la protezione dall'alloggiamento albero motore.
2. Estrarre il cavo flessibile (C) dall'alloggiamento dell'albero motore, pulirlo e applicarvi un sottile strato, 15 ml, di grasso resistente alle alte temperature.
3. Reinscrivere il cavo flessibile (C) nell'alloggiamento dell'albero motore. Evitare di sporcare il cavo flessibile.
4. Montare il gruppo carter ingranaggi e protezione.





## Montaggio del gancio porta-accessorio

1. Inserire l'estremità piccola del gancio nell'apposito foro sull'albero dell'accessorio.
2. Far scorrere il tappo in plastica sull'estremità dell'albero dell'accessorio.

# Caratteristiche tecniche

		MTA-LE/E
<b>Dimensioni esterne:</b> Lunghezza × Larghezza × Altezza	mm	787 × 235 × 299
<b>Massa:</b> Unità senza accessorio di taglio	kg	2,4
<b>Accessorio di taglio:</b> Diametro lama specificato Larghezza lama specificata Spessore lama specificato Numero di denti di taglio Diametro foro centrale lama Frequenza massima di rotazione del mandrino	mm mm mm  mm giri/min	197 51 2,3 2 25,4 5750
<b>Rapporto ingranaggi:</b> Rapporto di riduzione Lubrificazione		2,07 Grasso al litio di buona qualità
<b>Senso di rotazione dell'albero di uscita visto da destra</b>		Clockwise
<b>Livelli di vibrazioni:</b> (ISO 22867) $a_{hv,eq}$ Impugnatura anteriore Impugnatura posteriore Incertezza : (K)	m/s <sup>2</sup> m/s <sup>2</sup> m/s <sup>2</sup>	2,6 4,3 3,4
<b>Livello pressione acustica:</b> (ISO 22868) L <sub>pAeq</sub> Incertezza : (K <sub>pA</sub> )	dB(A) dB(A)	92,5 2,5
<b>Livello potenza acustica:</b> (ISO 22868) L <sub>WARa</sub> Incertezza : (K <sub>WA</sub> )	dB(A) dB(A)	106,3 2,5
Modelli interessati		PAS-2620ES

Queste specifiche possono subire modifiche senza preavviso.

# Dichiarazione di conformità

---

Il produttore sottoscritto:

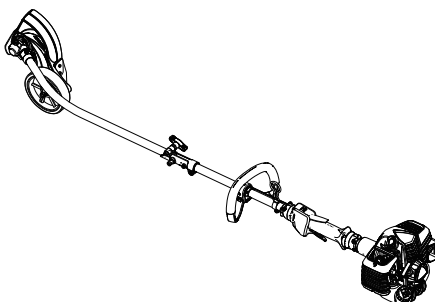
YAMABIKO CORPORATION  
1-7-2 Suehirocho  
Ohme, Tokyo 198-8760  
GIAPPONE

La presente dichiarazione di conformità viene rilasciata sotto la responsabilità esclusiva del produttore.

dichiara che la nuova macchina di seguito descritta:

## SERIE PRO ATTACHMENT

**Marchio: ECHO**  
**Tipo: PAS-2620ES + MTA-LE/E**



assemblato da:

ECHO, INCORPORATED  
400 Oakwood Road  
Lake Zurich, Illinois 60047-1564  
U.S.A.

è conforme alle seguenti normative:

- \* i requisiti richiesti dalla Direttiva **2006/42/CE** (uso della norma armonizzata **EN ISO 11789: 1999**)
- \* i requisiti richiesti dalla Direttiva **2014/30/EU** (uso della norma armonizzata **EN ISO 14982: 2009**)
- \* i requisiti richiesti dalla Direttiva **2011/65/CE** (uso della norma armonizzata **EN 50581: 2012**)
- \* i requisiti richiesti dalla Direttiva **2000/14/CE**

Conforme alla procedura di accertamento dell'**ALLEGATO V**

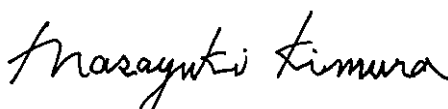
Livello di potenza acustica misurato :106 dB(A)

Livello di potenza acustica garantito :109 dB(A)

Numeri di serie da 35101001 a 35200000

Tokyo, 1 gennaio 2019

## YAMABIKO CORPORATION



---

**Masayuki Kimura**  
**Direttore generale**  
**Reparto Garanzia di qualità**

**Rappresentante autorizzato in Europa a costituire il fascicolo tecnico.**

Azienda: CERTIFICATION EXPERTS B.V.  
Indirizzo: P.O. box 5047, Merwedeweg 2, 3621 LR Breukelen,  
Paesi Bassi

**Mr. Richard Glaser**

# YAMABIKO CORPORATION

1-7-2 Suehirocho, Ohme, Tokyo 198-8760, GIAPPONE

TELEFONO: 81-428-32-6118. FAX: 81-428-32-6145.

**ECHO**®



X771209-5202



ES ESPAÑOL  
(Instrucciones originales)

# MANUAL DE INSTRUCCIONES

## Accesorio Pro Edge MTA-LE/E

### ADVERTENCIA



LEA ATENTAMENTE LAS INSTRUCCIONES Y SIGA LAS INDICACIONES PARA UN FUNCIONAMIENTO SEGURO. DE NO HACERLO, PODRÍA SUFRIR LESIONES GRAVES.

# Información importante

---

**Asegúrese de leer el manual de instrucciones antes de utilizar el producto.**

## ○ Introducción

- Este producto se ha diseñado y fabricado con el objetivo de resultar duradero y fiable en el trabajo. Lea y comprenda este manual que habrá encontrado junto con el producto. Encontrará que resulta fácil de usar y lleno de consejos de uso y mensajes de SEGURIDAD.

## ○ Usuarios del producto

- No deberá utilizar este producto hasta que no haya leído atentamente el manual de instrucciones y asimilado su contenido.
- Nadie que no haya leído el manual de instrucciones adecuadamente deberá utilizar el producto. Asimismo, deberá evitar su utilización si se encuentra resfriado, cansado o en una mala condición física, así como la utilización por parte de niños.
- Tenga presente que el operador o usuario es responsable de los accidentes o peligros ocasionados a terceras personas o a su propiedad.

## ○ Acerca del manual de instrucciones

- Este manual proporciona la información necesaria para el montaje, funcionamiento y mantenimiento de esta máquina. Léalo atentamente y asimile su contenido.
- Mantenga siempre el manual en un lugar fácilmente accesible.
- Si ha extraviado el manual o está dañado y no es posible leerlo, por favor adquiera uno nuevo en su distribuidor.
- Las unidades utilizadas en este manual son unidades SI (sistema internacional de unidades). Las cifras que aparecen entre paréntesis son valores de referencia y, en algunos casos, puede haber un ligero error de conversión.

## ○ Préstamo o asignación del producto

- Cuando preste el producto descrito en este manual a una tercera persona, asegúrese de que la persona que recibe y trabaja con el producto reciba el manual de instrucciones con el mismo. Si asigna el producto a una tercera persona, adjunte el manual de instrucciones con el producto cuando haga la entrega.

## ○ Consultas

- Póngase en contacto con su distribuidor para consultas relacionadas con información del producto, para la adquisición de consumibles, reparaciones y cualquier otro tipo de consultas.

## ○ Avisos

- El contenido de este manual puede sufrir cambios sin previo aviso debido a actualizaciones del producto. Algunas de las ilustraciones utilizadas pueden ser diferentes al propio producto para hacer más claras las explicaciones.
- Este producto requiere el montaje de algunas piezas.
- Consulte con su distribuidor si hay algo que no esté claro o le preocupe.

## **IMPORTANTE**

**Este accesorio está diseñado para su uso con la fuente de alimentación PAS-2620ES. El empleo de este accesorio con cualquier otro producto provocará el fallo prematuro de la caja de engranajes y la anulación de la garantía.**

## **ADVERTENCIA**

**Lea detenidamente las normas de funcionamiento seguro y las instrucciones. YAMABIKO incluye un manual de instrucciones con su PAS-2620ES original. Dicho manual y este manual deben leerse y comprenderse para poder trabajar de forma segura, de otro modo pueden producirse lesiones personales graves.**

## **Fabricante:**

**YAMABIKO CORPORATION**

**1-7-2 Suehirocho, Ohme, Tokio 198-8760, JAPÓN**

## **Representante autorizado en Europa:**

**CERTIFICATION EXPERTS B.V.**

**P.O. box 5047, Merwedeweg 2, 3621 LR Breukelen, Países Bajos**

Para una utilización segura del producto.....	4
Avisos de advertencia.....	4
Otros indicadores.....	4
Símbolos.....	4
Ubicación en la que se encuentra un adhesivo de seguridad .....	5
Manipulación del producto.....	6
Descripción .....	9
Antes de comenzar .....	10
Lista de piezas.....	10
Montaje .....	10
Funcionamiento .....	12
Mantenimiento y cuidados .....	13
Directivas de asistencia .....	13
Mantenimiento y cuidados .....	13
Almacenamiento .....	15
Características técnicas.....	16
Declaración de conformidad .....	17

# Para una utilización segura del producto

## Lea atentamente esta sección antes de utilizar el producto.




○ Las precauciones descritas en esta sección contienen información de seguridad importante. Cúmplalas cuidadosamente.

○ Asimismo, debe leer las precauciones que aparecen en el interior del propio manual.

El texto que aparece después de una marca [marca de diamante] describe las posibles consecuencias de no cumplir la precaución.


## Avisos de advertencia

Las situaciones en las que existe un riesgo de lesión física para el operador y para otras personas aparecen indicadas en este manual y en el propio producto mediante los siguientes avisos de peligro. Léalos y téngalos siempre en cuenta para garantizar un funcionamiento seguro.

 <b>PELIGRO</b>	 <b>ADVERTENCIA</b>	 <b>PRECAUCIÓN</b>
Este símbolo acompañado por la palabra " <b>PELIGRO</b> " llama la atención sobre una acción o sobre unas condiciones que causarán heridas personales importantes o incluso la muerte al operario y a los transeúntes.	Este símbolo acompañado por la palabra " <b>ADVERTENCIA</b> " llama la atención sobre una acción o sobre unas condiciones que pueden causar heridas personales importantes o incluso la muerte al operario y a los transeúntes.	" <b>PRECAUCIÓN</b> " indica una situación potencialmente peligrosa que, si no se evita, puede provocar heridas leves o moderadas.


## Otros indicadores

Además de los avisos de advertencia, en este manual se utilizan los siguientes símbolos explicativos:

	El círculo con barra oblicua prohíbe la acción o uso de los objetos mostrados.	<b>NOTA</b>	Este mensaje enmarcado proporciona consejos para el uso, cuidado y mantenimiento del equipo.	<b>IMPORTANTE</b>	El texto enmarcado con la palabra " <b>IMPORTANTE</b> " contiene información importante relativa al uso, comprobación, mantenimiento y almacenamiento del producto descrito en este manual.
---	--	-------------	--	-------------------	---

## Símbolos

En este manual y en el propio producto se utilizando una serie de símbolos explicativos. Asegúrese de entender completamente lo que significa cada símbolo.

Forma y silueta del símbolo	Descripción / aplicación del símbolo	Forma y silueta del símbolo	Descripción / aplicación del símbolo
	Lea atentamente el manual de instrucciones.		Mantener a los transeúntes a una distancia de 15 m.
	Utilice siempre protección para los ojos, orejas y cabeza.		Tenga precaución con las zonas de alta temperatura
	Llevar calzado protector en los pies y guantes en las manos.		Mantenga los pies alejados de la cuchilla
	Objetos expulsados		Tenga cuidado de no sufrir descargas eléctricas



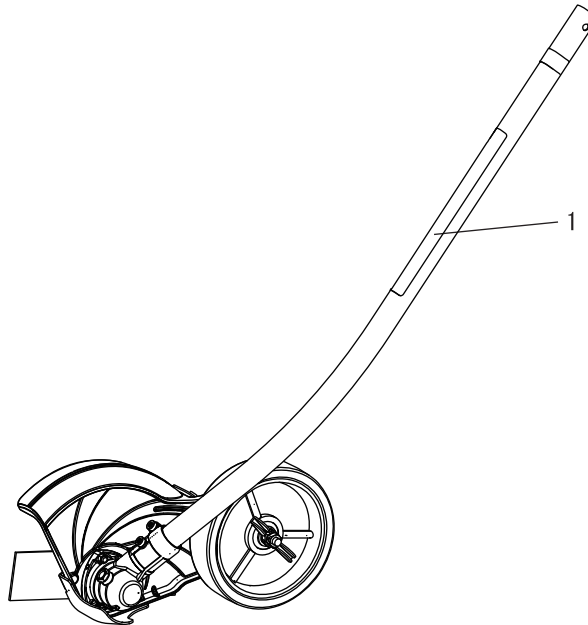
# Para una utilización segura del producto

## Ubicación en la que se encuentra un adhesivo de seguridad

- Los productos descritos en este manual incorporan el adhesivo de seguridad mostrado a continuación. Asegúrese de comprender el significado del adhesivo antes de utilizar el producto.
- Si el adhesivo se ha deteriorado debido al desgaste, está dañado o se ha despegado y perdido, adquiera un adhesivo de reemplazo en su distribuidor y colóquelo en la ubicación mostrada en las ilustraciones que aparecen a continuación. Asegúrese de que el adhesivo sea siempre legible.



1. Adhesivo de seguridad (Número de pieza 890160-25560)



# Para una utilización segura del producto

## Manipulación del producto Precauciones generales

### ADVERTENCIA

#### Manual de instrucciones

- Lea atentamente el manual de instrucciones antes de utilizar el producto a fin de asegurar un funcionamiento correcto.
- ◆ Si no lo hace, podría producirse un accidente o una lesión grave.



#### No utilice el producto para un uso distinto para el que está diseñado

- No debe utilizar el producto para ningún propósito distinto de los descritos en el manual de instrucciones.
- ◆ De hacerlo, podría provocar un accidente o una lesión grave.

#### No modifique el producto

- No debe modificar el producto.
- ◆ De hacerlo, podría provocar un accidente o una lesión grave. Cualquier error resultante de una modificación del producto no estará cubierto por la garantía del fabricante.

#### No utilice el producto a no ser que haya sido comprobado y se le haya realizado el mantenimiento

- No debe utilizar el producto a no ser que haya sido comprobado y se le haya realizado el mantenimiento. Asegúrese siempre de comprobar el producto y de realizar regularmente el mantenimiento.
- ◆ Si no lo hace, podría producirse un accidente o una lesión grave.

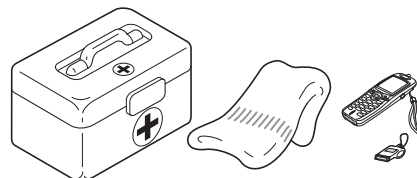
#### Préstamo o asignación del producto

- Cuando preste el producto a una tercera persona, asegúrese de que la persona que toma prestado el producto recibe con él el manual de instrucciones.
- Si asigna el producto a una tercera persona, adjunte el manual de instrucciones con el producto cuando haga la entrega.
- ◆ Si no lo hace, podría producirse un accidente o una lesión grave.

#### Preparación en caso de sufrir una lesión

En el improbable caso de sufrir un accidente o lesión, asegúrese de que esté preparado.

- Equipo de primeros auxilios
- Paños y toallas (para detener cualquier hemorragia)
- Silbato o teléfono móvil (para solicitar ayuda externa)
- ◆ Si no es capaz de realizar los primeros auxilios o de pedir ayuda externa, la lesión podría empeorar.



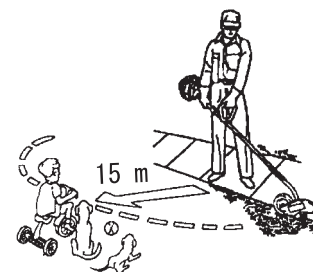
## Precauciones de uso

### ADVERTENCIA

#### El área dentro de un radio de 15 metros es una zona peligrosa

El área dentro de un radio de 15 metros del producto es una zona peligrosa. Tenga cuidado de cumplir estas precauciones cuando trabaje con el producto.

- No permite que niños, otras personas o mascotas entren en la zona de peligro.
- Si entra otra persona en la zona de peligro, apague el motor para detener la cuchilla
- Cuando se acerque al operario, hágale una señal, por ejemplo, arrojándole ramitas desde el exterior de la zona de peligro y, a continuación, compruebe que el motor se haya desconectado y que la cuchilla haya parado de moverse.
- No permita que nadie sujete el material que está cortando.
- ◆ Cualquier contacto con la cuchilla de corte podría provocar una lesión grave.



#### Evite las superficies calientes

Durante el funcionamiento, toda la unidad y en especial el alojamiento del eje de transmisión, el cabezal de potencia, la zona del silenciador y la caja de engranajes pueden calentarse hasta un punto que resulte inseguro tocarlas. Evite el contacto durante e inmediatamente al uso del dispositivo.

- ◆ Podría quemarse si toca un componente a elevada temperatura.



# Para una utilización segura del producto

## **ADVERTENCIA**

### Usuarios del producto

El producto no podrá ser utilizado por:

- personas que estén cansadas
- personas que hayan consumido alcohol
- personas que estén tomando medicación
- mujeres embarazadas
- personas que estén en una mala condición física
- personas que no hayan leído el manual de instrucciones
- niños

◆ Si no sigue estas instrucciones podría provocar un accidente.



### Condiciones de uso y de funcionamiento

- No utilice el producto en lugares donde no se asegure la estabilidad, por ejemplo, en cuestas empinadas o después de que haya llovido, ya que dichos lugares son resbaladizos y peligrosos.
- No trabaje con el producto de noche o en lugares oscuros con poca visibilidad.
- No trabaje en posiciones extrañas o sobre escalas. No se estire en exceso mientras usa el dispositivo.
- ◆ Si se cae o se resbala podría sufrir una lesión grave, o bien no lograr que el producto funcione correctamente.
- Por cuestiones de salud, seguridad y comodidad del trabajo, trabaje con la máquina en un intervalo de temperatura del aire de -5 °C a 40 °C.
- ◆ Si no tiene en cuenta estas instrucciones podría perjudicar su salud.

### Apague el motor cuando realice un traslado

Si se encuentra en algunas de las situaciones descritas a continuación, apague el motor.

- Traslado a otro lugar cuando esté trabajando
- Traslado a otra área mientras está trabajando
- Abandono del lugar en el que ha estado trabajando
- ◆ Si no cumple estas precauciones podría sufrir quemaduras o una lesión grave.
- Cuando transporte el producto en coche, vacíe el depósito de combustible y asegure firmemente el producto en su lugar para evitar que se mueva.
- ◆ Los viajes en coche con combustible en el depósito podrían provocar un incendio.

### Manténgalo bien sujeto

- Sujete las empuñaduras delantera y trasera con ambas manos, colocando los dedos alrededor de cada una de las empuñaduras.

◆ Si no sigue estas instrucciones podría provocar un accidente.



### Las vibraciones y el frío

Se cree que puede contraerse una enfermedad llamada fenómeno de Raynaud, que afecta a los dedos de ciertos individuos, si se está expuesto a vibraciones y frío. La exposición a las vibraciones y al frío puede causar cosquilleo y quemazón en los dedos, seguido de pérdida de color y sensación de dedos dormidos.

Se recomiendan las siguientes precauciones, ya que se desconoce cuál es la exposición mínima que desencadena esta dolencia.

- Mantenga el cuerpo caliente, especialmente la cabeza y el cuello, los pies y los tobillos y las manos y las muñecas.
- Mantenga una buena circulación sanguínea realizando vigorosos ejercicios con los brazos durante frecuentes descansos y también no fumando.
- Limite el número de horas de trabajo.  
Intente también hacer cada día trabajos en los que no sea necesario usar el cortabordes u otros equipos eléctricos de sujeción manual.
- Si experimenta molestias, rojez o hinchazón de los dedos, seguidos de una pérdida de sensación y emblaquecimiento de los mismos, consulte con su médico antes de volver a exponerse al frío y a las vibraciones.
- ◆ Si no tiene en cuenta estas instrucciones podría perjudicar su salud.

# Para una utilización segura del producto

## ADVERTENCIA

### Lesiones por esfuerzos repetitivos

Se cree que un uso excesivo de los músculos y tendones de los dedos, manos, brazos y hombros puede causar dolores, hinchazones, adormecimiento, debilidad y dolores extremos en los mismos. Ciertas actividades repetitivas de las manos pueden suponer un alto riesgo para el usuario de desarrollo de lesiones debidas a esfuerzos repetitivos (RSI).

Para reducir el riesgo de lesiones por RSI:

- Evite colocar la muñeca en posición doblada, extendida o torcida.
  - Tómese descansos periódicos para minimizar la repetición y deje descansar las manos. Reduzca la velocidad y fuerza con la que hace el movimiento repetitivo.
  - Haga ejercicios que fortalezcan los músculos de las manos y de los brazos.
  - Consulte a su médico si siente cosquilleos, adormecimiento o dolor en los dedos, manos, muñecas o brazos. Cuanto antes se diagnostiquen lesiones por RSI, más probabilidades tendrá de prevenir daños permanentes en los nervios y músculos.
- ◆ Si no tiene en cuenta estas instrucciones podría perjudicar su salud.

### **Formación adecuada**

No permita que nadie utilice este producto sin la formación adecuada ni equipos de protección.

Familiarícese al máximo con los controles y el uso adecuado de esta máquina.

Aprenda a detener la máquina y a parar el motor.

No permita bajo ningún concepto que nadie use este producto sin la debida formación.

### **Ropa de protección**

## ADVERTENCIA

### Póngase indumentaria protectora

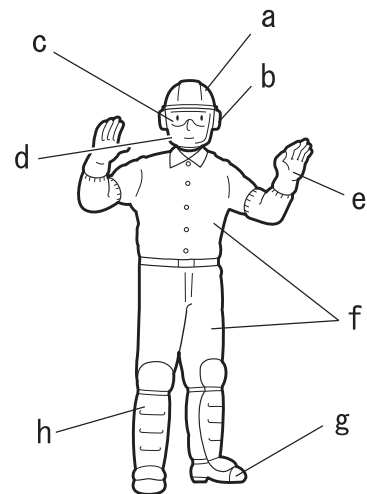
Utilice en todo momento la siguiente indumentaria protectora.

- a **Protección para la cabeza (casco):** Protege la cabeza
- b **Orejaseras o tapones para los oídos:** Protegen los oídos
- c **Gafas de seguridad:** Protegen los ojos
- d **Careta:** Protege la cara
- e **Gautes de seguridad:** Protegen las manos del frío y la vibración
- f **Ropa de trabajo ajustada (mangas y pantalones largos):** Protege el cuerpo
- g **Botas protectoras no deslizantes y pesadas (con punteras) o zapatos de trabajo no deslizantes (con punteras):** Protegen los pies
- h **Protectores para las espinillas:** Protegen las piernas

◆ Si no tiene en cuenta estas precauciones, podría derivar en daños en la visión o en la audición o dar lugar a una lesión grave.

En caso necesario, utilice la ropa de protección descrita a continuación.

- **Mascarilla para el polvo:** Protege el aparato respiratorio
- **Red para abejas:** Para hacer frente a ataques de abejas

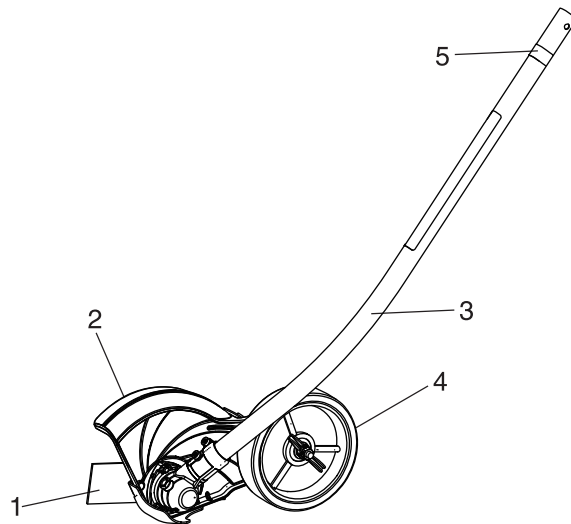


### Utilice indumentaria adecuada.

No utilice corbatas, joyería o ropa floja o colgante que pueda quedar atrapada en la unidad. No utilice calzado con la puntera abierta ni vaya descalzo o sin perneras. En determinadas situaciones, puede ser necesaria la utilización de protección total para la cabeza o la cara.

◆ Si no tiene en cuenta estas precauciones, podría derivar en daños en la visión o en la audición o dar lugar a una lesión grave.



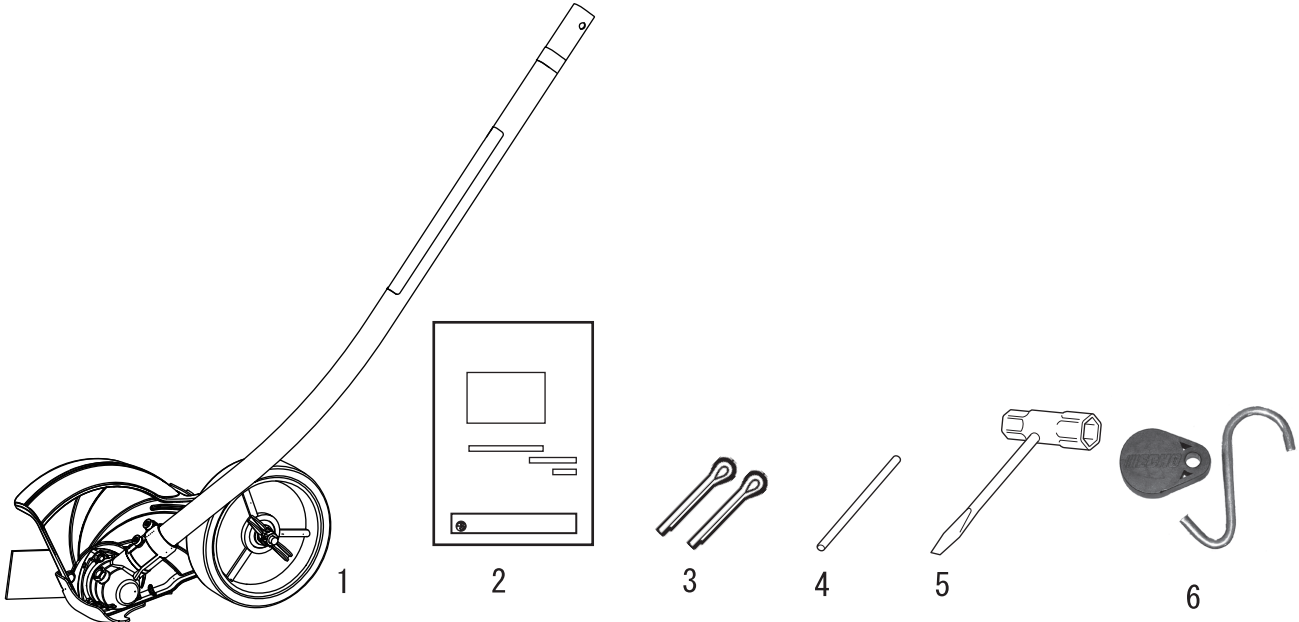


1. **Cuchilla** Gira para proporcionar la acción de corte.
2. **Protector/pestaña contra restos** Montado sobre el accesorio de corte. Ayuda a proteger al usuario al rechazar los restos producidos durante la operación de corte de bordes.
3. **Conjunto del eje de transmisión** Contiene un revestimiento especialmente diseñado y un eje de transmisión flexible.
4. **Rueda** Ajustable en altura (arriba/abajo), ajusta la profundidad de la cuchilla.
5. **Tipo y número de serie**

# Antes de comenzar

## Lista de piezas

- ♦ En la caja de embalaje están empaquetadas de forma separada las siguientes piezas.
- ♦ Cuando haya desempaquetado la caja, compruebe que contenga las siguientes piezas.
- ♦ Póngase en contacto con su distribuidor si falta alguna o está rota.



1. Accesorio cortador de bordes eléctrico
2. Manual de instrucciones
3. Pasadores divididos

4. Herramienta de bloqueo
5. Llave tubular
6. Conjunto de gancho de almacenaje

## Montaje

### **ADVERTENCIA**

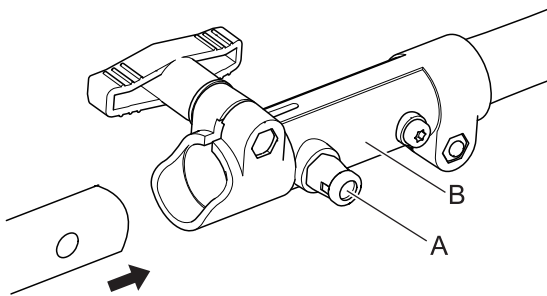
**Lea atentamente el manual de instrucciones para asegurarse de que monta correctamente el producto.**

- ♦ La utilización de un producto que se haya montado incorrectamente puede ocasionar un accidente o una lesión grave.

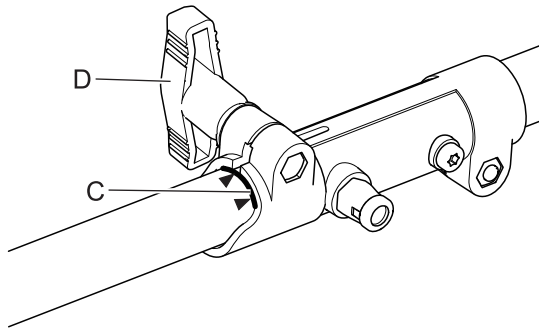


### Conjunto de cabezal/eje de potencia

1. Coloque el conjunto de cabezal/eje de potencia sobre una superficie nivelada.
2. Extraiga el pasador de colocación (A) y gire 1/4 de vuelta en el sentido anti horario para bloquear la posición.
3. Desmonte el tapón de vinilo del eje de transmisión del accesorio.



# Antes de comenzar



4. Coloque con cuidado el conjunto del eje de transmisión en el acoplador (B) para adherir la línea de montaje (C), asegurándose que el eje de transmisión inferior interior se acopla en el casquillo cuadrado del eje de transmisión superior.

## NOTA

El alojamiento del cojinete inferior y el conjunto del cabezal deben estar en línea con el motor.

5. Gire el pasador de fijación (A) 1/4 de vuelta en el sentido horario para que se acople al orificio del eje inferior. Asegúrese de que el pasador de fijación está bien acoplado, para ello mueva el eje de transmisión inferior. El pasador de colocación debe ajustarse al ras en el acoplador. El acoplamiento total evitará una posterior rotación del eje.
6. Asegure el conjunto del eje inferior al acoplador, para ello apriete el mando de fijación (D).
7. Para el desmontaje, siga en orden inverso las instrucciones de montaje.

# Funcionamiento

Antes de utilizarla, debe realizarse una comprobación completa de la unidad:

- Compruebe que la unidad disponga de todas las tuercas, pernos o tornillos, así como su apriete. Apriete y/o sustituya según sea necesario.
- Inspeccione posibles daños en el protector y su correcta colocación. Sustituya el protector si estuviera dañado o faltara.
- Compruebe que la cuchilla se encuentra firmemente acoplada y en estado de uso seguro. No deben usarse cuchillas dañadas, romas o sueltas.

## NOTA

Consulte el Manual de instrucciones de la fuente de alimentación para conocer las instrucciones adecuadas de repostaje, arranque y parada del motor.



## Técnicas de funcionamiento

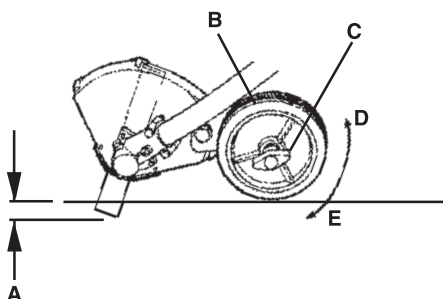
1. Antes de cortar los bordes, riegue la zona para reblandecer el terreno y facilitar la tarea.
2. Antes de cortar los bordes, inspeccione la zona y elimine todos los obstáculos y objetos que pudieran salir despedidos.
3. Trate de recortar los bordes regularmente para que su trabajo resulte más sencillo y para evitar tener que dar más de una pasada.

## NOTA

Es posible que haya que ajustar la profundidad de la hoja debido a diferencias en la altura entre la superficie dura y la parte superior de la hierba.

## ⚠ ADVERTENCIA

**Nunca ajuste la altura e la hoja mientras funciona el dispositivo, ya que podría provocar graves lesiones personales.**



A: 13 mm

B: Rueda

C: Mando de ajuste

D: Aumentar profundidad

E: Disminuir profundidad

4. Ajuste la profundidad de corte de la cuchilla para producir un corte fino entre la acera y la hierba con una profundidad de cuchilla mínima, normalmente unos 13 mm de la hoja en la hierba.
5. Antes de cortar los bordes, planifique la dirección del recorrido de forma que la unidad siempre quede posicionada a su derecha y pueda caminar, siempre que sea posible sobre una superficie dura.
6. Sujete el cortabordes de la forma que se ilustra.
7. Cuando comience el corte de los bordes, trabaje con el motor a máxima aceleración y baje la cuchilla suavemente hacia el suelo, teniendo cuidado de no golpear el cemento con la misma.
8. No fuerce la cuchilla. Únicamente avance cuando se lo permita la cuchilla.

## ⚠ ADVERTENCIA

**Antes de cortar los bordes, lea y comprenda el manual de instrucciones completo al objeto de evitar posibles lesiones graves.**

## ⚠ ADVERTENCIA

**La unidad completa, especialmente el conjunto del eje de transmisión y la zona de escape del silenciador puede estar muy calientes tras su uso. Evite el contacto durante e inmediatamente después del uso, de lo contrario pueden producirse graves lesiones personales.**



# Mantenimiento y cuidados

## ADVERTENCIA

Las piezas móviles pueden amputar los dedos o provocar lesiones graves. Mantenga las manos, ropa y objetos sueltos alejados de todas las aberturas. Detenga siempre el motor, desconecte el cable de la bujía y asegúrese de que todas las piezas móviles se han detenido por completo antes de eliminar atascos, restos o realizar un mantenimiento de la unidad. Deje que la unidad se enfríe antes de realizar cualquier operación de servicio en la misma. Utilice guantes para proteger las manos de los bordes afilados y aristas, así como de las superficies calientes.

### Directivas de asistencia

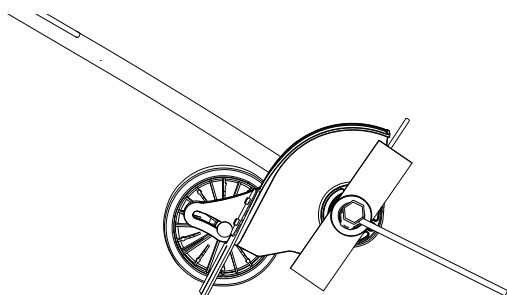
Área	Mantenimiento	Frecuencia
Árbol de transmisión	Engrasar	Cada 25 horas de uso
Caja de engranajes	Engrasar	Cada 15-25 horas de uso
Tornillos, pernos y tuercas	Inspeccionar, apretar/sustituir	Antes de usar

### Mantenimiento y cuidados

Si tiene cualquier pregunta o problema, póngase en contacto con su distribuidor.

#### Sustitución/lubricación de la cuchilla

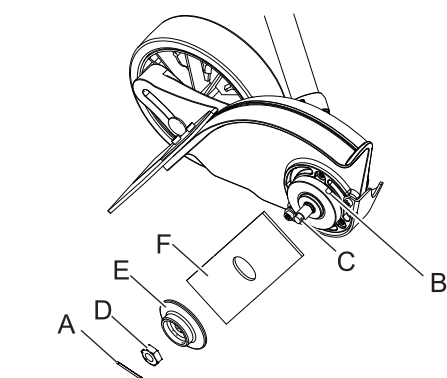
#### Caja de cambios



#### NOTA

Engrasar la caja de engranajes cada 15 - 25 horas de uso. Sustituir la cuchilla cuando esté desgastada y su tamaño sea inferior a 6 pulgadas. Retire la cuchilla y los soportes antes de engrasar para evitar daños al engranaje y los cojinetes.

1. Apague el motor.
2. Retire el pasador dividido (A).
3. Gire la cuchilla hasta que se alineen los orificios del adaptador de la cuchilla interior (B) y la caja de engranajes. Inserte la herramienta de bloqueo para bloquear el eje de transmisión (C).



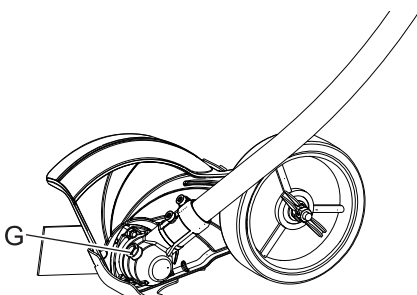
#### NOTA

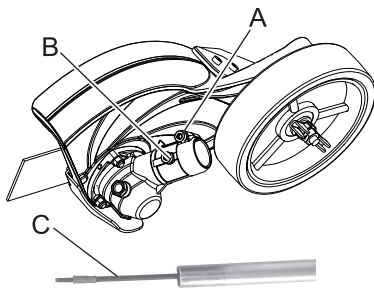
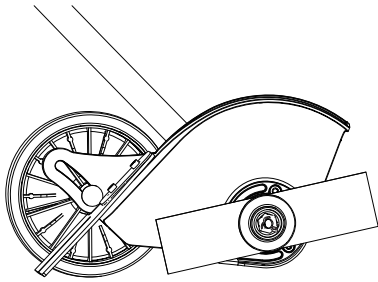
No se muestra la cubierta protectora para mejorar la claridad de la ilustración.

#### NOTA

La tuerca de la cuchilla (D) tiene rosca a la izquierda.

4. Retire la tuerca de la cuchilla (D) con una llave en sentido horario. Retire el adaptador de cuchilla exterior (E), la cuchilla (F) y el adaptador de cuchilla interior (B).
5. Retire el tapón (G) y llene la caja de engranajes de grasa. Coloque el tapón.
6. Instale el adaptador de cuchilla interior (B) sobre el eje de transmisión (C).
7. Instale y centre la nueva cuchilla (F) sobre el adaptador interior (B).
8. Instale el adaptador exterior (E) y la tuerca (D). Apriete la tuerca (D) con firmeza, en el sentido anti horario.





## IMPORTANTE

Nunca reutilice un pasador dividido viejo.

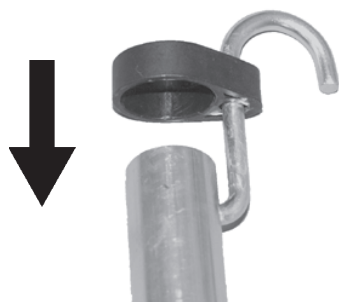
9. Instale un nuevo pasador dividido (A) para asegurar la tuerca.

### Eje de transmisión (inferior)

## IMPORTANTE

El eje de transmisión inferior y superior deben lubricarse con grasa de automoción de alta temperatura cada 25 horas de uso, de lo contrario podría producirse un sobrecalentamiento y fallo del conjunto del eje de transmisión.

1. Afloje el perno de sujeción en la caja de engranajes (A) y extraiga el tornillo posicionador (B). Extraiga la caja de engranajes y la cubierta del alojamiento del eje de transmisión.
2. Extraiga el cable flexible (C) del alojamiento del eje de transmisión, limpie y vuelva a recubrir con una fina película de 15 ml de grasa de alta temperatura.
3. Deslice el cable flexible (C) de nuevo en el alojamiento de la transmisión. No deje que se acumule la suciedad en el cable flexible.
4. Instale el conjunto de alojamiento y tapa de engranajes.



## Instalación del gancho de almacenaje

1. Introduzca el extremo pequeño del gancho en el orificio de colocación situado en el eje del accesorio.
2. Coloque la tapa de plástico sobre el extremo del eje del accesorio.

# Características técnicas

		MTA-LE/E
<b>Dimensiones externas:</b> Longitud × Anchura × Altura	mm	787 × 235 × 299
<b>Peso:</b> Unidad sin accesorio de corte	kg	2,4
<b>Accesorio de corte:</b> Diámetro de cuchilla especificado Anchura de cuchilla especificada Espesor de cuchilla especificado Número de dientes de corte Diámetro del orificio central de la cuchilla Frecuencia máxima de giro del eje	mm mm mm  mm r/min	197 51 2,3 2 25,4 5750
<b>Relación engranajes:</b> Relación de reducción Lubricación		2,07 Grasa de litio de buena calidad
<b>Dirección de giro del eje de salida visto desde la derecha</b>		Sentido horario
<b>Niveles de vibración:</b> (ISO 22867) $a_{hv,eq}$ Asidero delantero Asidero trasero Tolerancia: (K)	$m/s^2$ $m/s^2$ $m/s^2$	2,6 4,3 3,4
<b>Nivel de presión acústica:</b> (ISO 22868) $L_{pAeq}$ Tolerancia: ( $K_{pA}$ )	dB (A) dB (A)	92,5 2,5
<b>Nivel de potencia acústica:</b> (ISO 22868) $L_{WARa}$ Tolerancia: ( $K_{WA}$ )	dB (A) dB (A)	106,3 2,5
Modelos aplicables		PAS-2620ES

Estas características técnicas están sujetas a cambios sin previo aviso.

# Declaración de conformidad

---

El fabricante abajo firmante:

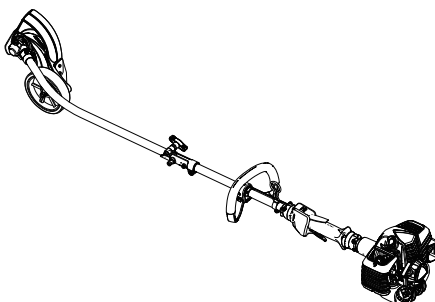
YAMABIKO CORPORATION  
1-7-2 Suehirocho  
Ohme, Tokio 198-8760  
JAPÓN

Declaración de conformidad publicada bajo la exclusiva responsabilidad del fabricante.

declara que la unidad nueva aquí especificada:

## SERIE PRO ATTACHMENT

Marca: ECHO  
Tipo: PAS-2620ES + MTA-LE/E



montado por:

ECHO, INCORPORATED  
400 Oakwood Road  
Lake Zurich, Illinois 60047-1564

EE. UU.

cumple con:

- \* los requisitos de la directiva **2006/42/CE** (aplicación de la norma armonizada **EN ISO 11789: 1999**)
- \* los requisitos de la Directiva **2014/30/UE** (aplicación de la norma armonizada **EN ISO 14982: 2009**)
- \* los requisitos de la Directiva **2011/65/UE** (aplicación de la norma armonizada **EN 50581: 2012**)
- \* los requisitos de la Directiva **2000/14/CE**

Procedimiento de valoración de conformidad según **ANEXO V**

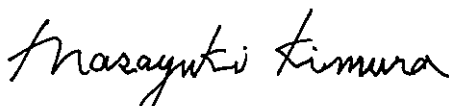
Nivel de potencia acústica medida :106 dB(A)

Nivel de potencia acústica garantizado :109 dB(A)

Número de serie de 35101001 a 35200000

Tokio, 1 de enero de 2019

## YAMABIKO CORPORATION



**Masayuki Kimura**

**Director general**

**Departamento de Garantía de Calidad**

**El representante autorizado en Europa que esta autorizado para compilar el expediente técnico.**

Empresa: CERTIFICATION EXPERTS B.V.

Dirección: P.O. box 5047, Merwedeweg 2, 3621 LR Breukelen, Países Bajos

**Richard Glaser**

**YAMABIKO CORPORATION**  
1-7-2 Suehirocho, Ohme, Tokio 198-8760, JAPÓN  
TELÉFONO: 81-428-32-6118. FAX: 81-428-32-6145.



X771209-5202



**YAMABIKO CORPORATION**

1-7-2 Suehirocho, Ohme, Tokyo 198-8760, JAPAN

PHONE: 81-428-32-6118. FAX: 81-428-32-6145.



X771209-5202