



- GB ENGLISH
- FR FRANÇAIS
- DE DEUTSCH
- IT ITALIANO
- ES ESPAÑOL

# OPERATOR'S MANUAL MANUEL D'UTILISATION BEDIENUNGSANLEITUNG MANUALE PER L'OPERATORE MANUAL DE INSTRUCCIONES DHC-200

## WARNING



READ THE INSTRUCTIONS CAREFULLY AND FOLLOW THE RULES FOR SAFE OPERATION. FAILURE TO DO SO COULD RESULT IN SERIOUS INJURY.

## AVERTISSEMENT



LIRE ATTENTIVEMENT LES INSTRUCTIONS ET SUIVRE LES RÈGLES DE SÉCURITÉ. LE NON-RESPECT DES RÈGLES DE SÉCURITÉ ENTRAÎNE UN RISQUE DE BLESSURE GRAVE.

## WARNUNG



LESEN SIE DIE BEDIENUNGSANLEITUNG SORGFÄLTIG DURCH, UND BEFOLGEN SIE DIE SICHERHEITSGESAMEN. ANDERNFALLS BESTEHT DAS RISIKO SCHWERER VERLETZUNGEN.

## AVVERTENZA



LEGGERE E SEGUIRE ATTENTAMENTE LE ISTRUZIONI PER LAVORARE IN CONDIZIONI DI MASSIMA SICUREZZA. LA MANCATA OSSERVANZA DELLE ISTRUZIONI POTREBBE PROVOCARE LESIONI GRAVI.

## ADVERTENCIA



LEA ATENTAMENTE LAS INSTRUCCIONES Y SIGA LAS INDICACIONES PARA UN FUNCIONAMIENTO SEGURO. DE NO HACERLO, PODRÍA SUFRIR LESIONES GRAVES.







ENGLISH  
GB (Original instructions)

# OPERATOR'S MANUAL

## RECHARGEABLE HEDGE TRIMMER

### DHC-200



#### WARNING

READ THE INSTRUCTIONS CAREFULLY AND FOLLOW THE  
RULES FOR SAFE OPERATION.  
FAILURE TO DO SO COULD RESULT IN SERIOUS INJURY.

# Important information

---

**Please ensure that you read the operator's manual before using your product.**

**○ Intended use of this product**

- ♦ ECHO Hedge Trimmers are lightweight, high-quality units designed for hedge and shrub trimming.
- ♦ Do not use this tool for anything other than its intended purpose.

**○ Users of the product**

- ♦ You should not use this product until you have read the operator's manual carefully and fully understand its content.
- ♦ This product should not be used by anyone who has failed to read the operator's manual properly, is suffering from a cold, tiredness or otherwise in poor physical condition, or children.
- ♦ Keep in mind that the operator or user is responsible for accidents or hazards occurring to other people or their property.

**○ About your operator's manual**

- ♦ This manual contains necessary information about the operation and maintenance of your product. Please read it carefully and understand its contents.
- ♦ Always keep your manual in a place where it is readily accessible.
- ♦ If you have lost your manual or it is damaged and no longer readable, please purchase a new one from your ECHO DEALER.
- ♦ The units used in this manual are SI units (International System of Units). Figures in parentheses are reference values, and there may be a slight conversion error in some cases.

**○ Loaning or assigning your product**

- ♦ When loaning the product described in this manual to another party, ensure that the person borrowing and working with the product receives the operator's manual along with the product. If you assign your product to another party, please enclose the operator's manual with the product when handing it over.

**○ Enquiries**

- ♦ Please contact your ECHO DEALER for requests regarding information about your product, the purchase of consumables, repairs, and other such enquiries.

**○ Notices**

- ♦ The content of this manual may be changed without notice for the purpose of upgrades to the product. Some of the illustrations used may differ from the product itself in order to make the explanations clearer.
- ♦ Please consult your ECHO DEALER if anything is unclear or of concern.

## Manufacturer

### **YAMABIKO CORPORATION**

**7-2 SUEHIROCHO 1-CHOME, OHME, TOKYO 198-8760, JAPAN**

## Authorized Representative in Europe

### **Atlantic Bridge Limited**

**Atlantic House, PO Box 4800, Earley, Reading RG5 4GB, United Kingdom**

# Contents

---

For safe use of your product.....	4
Warning notices .....	4
Other indicators .....	4
Symbols.....	4
Location in which the safety decal is attached.....	5
Handling the product .....	6
Packing list.....	13
Description.....	14
Before you start .....	15
Assembly .....	15
Operation .....	18
Starting the unit .....	18
Stopping the unit.....	18
Hedge and shrub trimming operation .....	19
Basic hedge trimming operation .....	19
Maintenance and care .....	20
Servicing guidelines.....	20
Maintenance and care .....	20
Storage .....	23
Storage .....	23
Disposal procedure.....	24
Specifications.....	25
Declaration of conformity .....	26

# For safe use of your product

## Be careful to read this section before using your product.




○ The precautions described in this section contain important safety information. Please observe them carefully.

○ You must also read the precautions that appear in the body of the manual itself.

Text following a [diamond mark] mark describes the potential consequences of failing to observe the precaution.


## Warning notices

Situations where there is a risk of physical injury to the operator and other people are indicated in this manual and on the product itself by the following warning notices. Always read and observe them carefully in order to ensure safe operation.

 <b>DANGER</b>	 <b>WARNING</b>	 <b>CAUTION</b>
This symbol accompanied by the word " <b>DANGER</b> " calls attention to an act or a condition which will lead to serious personal injury or death of operators and bystanders.	This symbol accompanied by the word " <b>WARNING</b> " calls attention to an act or a condition which can lead to serious personal injury or death of operators and bystanders.	" <b>CAUTION</b> " indicates a potentially hazardous situation which, if not avoided, may result in minor or moderate injury.







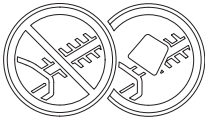



## Other indicators

As well as warning notices, this manual uses the following explanatory symbols:

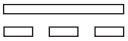
	Circle and slash symbol means whatever is shown is prohibited.	<b>NOTE</b>	<b>IMPORTANT</b>
		This enclosed message provides tips for use, care and maintenance of the product.	Framed text featuring the word " <b>IMPORTANT</b> " contains important information about the use, checking, maintenance and storage of the product described in this manual.

## Symbols

In this manual and on the product itself, a series of explanatory symbols is used. Please make sure that you fully understand what each symbol means.

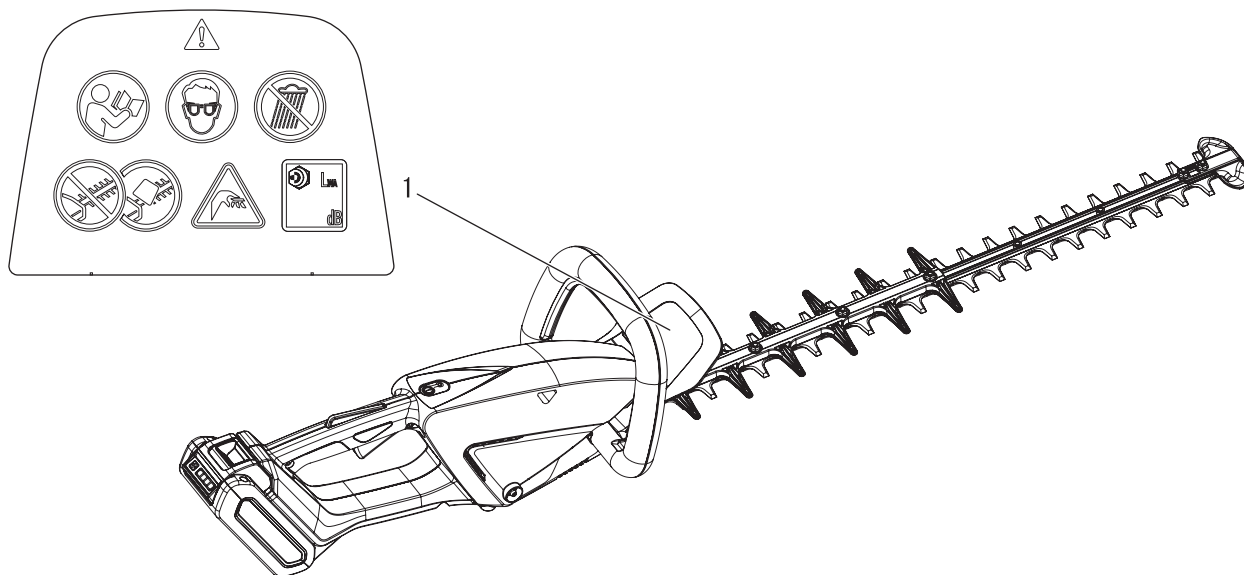
Symbol form/shape	Symbol description/application	Symbol form/shape	Symbol description/application
	Carefully read the operator's manual		Wear eye protection
	Safety / Alert		Finger severing
	Beware of electric shocks		Beware of high-temperature areas
	Never operate without guards in place		Never use in the rain or at damp locations
	Guaranteed sound power level		Environmental protection!

# For safe use of your product

Symbol form/shape	Symbol description/applica- tion	Symbol form/shape	Symbol description/applica- tion
V	Volts	 or DC	Direct current
SPM	Strokes per minute		

## Location in which the safety decal is attached

- ♦ The safety decal shown below has been attached to the product described in this manual. Ensure that you understand what the decal means before using your product.
- ♦ If the decal becomes illegible due to wear and tear, damage, or peels off, please purchase a replacement decal from your dealer and attach it in the location shown in the illustration below. Ensure that the decal is readable at all times.



1. Safety decal (Part number X505-008920)

# For safe use of your product

## Handling the product General Power Tool Safety Warnings

### WARNING

#### **Read all safety warnings and all instructions.**

Failure to follow the warnings and instructions may result in electric shock, fire and/or serious injury.

#### **Save all warnings and instructions for future reference.**

The term "power tool" in the warnings refers to your mains-operated (corded) power tool or battery-operated (cordless) power tool.

#### **Work area safety**

- **Keep work area clean and well lit.**
- ◆ Cluttered or dark areas invite accidents.
- **Do not operate power tools in explosive atmospheres, such as in the presence of flammable liquids, gases or dust.**
- ◆ Power tools create sparks which may ignite the dust or fumes.
- **Keep children and bystanders away while operating a power tool.**
- ◆ Distractions can cause you to lose control.

#### **Electrical safety**

- **Power tool plugs must match the outlet. Never modify the plug in any way. Do not use any adapter plugs with earthed (grounded) power tools.**
- ◆ Unmodified plugs and matching outlets will reduce risk of electric shock.
- **Avoid body contact with earthed or grounded surfaces such as pipes, radiators, ranges and refrigerators.**
- ◆ There is an increased risk of electric shock if your body is earthed or grounded.
- **Do not expose power tools to rain or wet conditions.**
- ◆ Water entering a power tool will increase the risk of electric shock.
- **Do not abuse the cord. Never use the cord for carrying, pulling or unplugging the power tool. Keep cord away from heat, oil, sharp edges or moving parts.**
- ◆ Damaged or entangled cords increase the risk of electric shock.
- **When operating a power tool outdoors, use an extension cord suitable for outdoor use.**
- ◆ Use of a cord suitable for outdoor use reduces the risk of electric shock.
- **If operating a power tool in a damp location is unavoidable, use a ground fault circuit interrupter (GFCI) protected supply.**
- ◆ Use of an GFCI reduces the risk of electric shock.

#### **Personal safety**

- **Stay alert, watch what you are doing and use common sense when operating a power tool. Do not use a power tool while you are tired or under the influence of drugs, alcohol or medication.**
- ◆ A moment of inattention while operating power tools may result in serious personal injury.
- **Use personal protective equipment. Always wear eye protection.**
- ◆ Protective equipment such as dust mask, non-skid safety shoes, hard hat, or hearing protection used for appropriate conditions will reduce personal injuries.
- **Prevent unintentional starting. Ensure the switch is in the off-position before connecting to power source and/or battery pack, picking up or carrying the tool.**
- ◆ Carrying power tools with your finger on the switch or energising power tools that have the switch on invites accidents.
- **Remove any adjusting key or wrench before turning the power tool on.**
- ◆ A wrench or a key left attached to a rotating part of the power tool may result in personal injury.
- **Do not overreach. Keep proper footing and balance at all times.**
- ◆ This enables better control of the power tool in unexpected situations.
- **Dress properly. Do not wear loose clothing or jewellery. Keep your hair, clothing and gloves away from moving parts.**
- ◆ Loose clothes, jewellery or long hair can be caught in moving parts.
- **If devices are provided for the connection of dust extraction and collection facilities, ensure these are connected and properly used.**
- ◆ Use of dust collection can reduce dust-related hazards.

The vibration emission during actual use of the power tool can differ from the declared total value depending on the ways in which the tool is used; and of the need to identify safety measures to protect the operator that are based on an estimation of exposure in the actual conditions of use (taking account of all parts of the operating cycle such as the times when the tool is switched off and when it is running idle in addition to the trigger time).



# For safe use of your product

## WARNING

### **Power tool use and care**

- **Do not force the power tool. Use the correct power tool for your application.**
- ◆ The correct power tool will do the job better and safer at the rate for which it was designed.
- **Do not use the power tool if the switch does not turn it on and off.**
- ◆ Any power tool that cannot be controlled with the switch is dangerous and must be repaired.
- **Disconnect the plug from the power source and/or the battery pack from the power tool before making any adjustments, changing accessories, or storing power tools.**
- ◆ Such preventive safety measures reduce the risk of starting the power tool accidentally.
- **Store idle power tools out of the reach of children and do not allow persons unfamiliar with the power tool or these instructions to operate the power tool.**
- ◆ Power tools are dangerous in the hands of untrained users.
- **Maintain power tools. Check for misalignment or binding of moving parts, breakage of parts and any other condition that may affect the power tool's operation. If damaged, have the power tool repaired before use.**
- ◆ Many accidents are caused by poorly maintained power tools.
- **Keep cutting tools sharp and clean.**
- ◆ Properly maintained cutting tools with sharp cutting edges are less likely to bind and are easier to control.
- **Use the power tool, accessories and tool bits etc. in accordance with these instructions, taking into account the working conditions and the work to be performed.**
- ◆ Use of the power tool for operations different from those intended could result in a hazardous situation.

### **Battery tool use and care**

- **Recharge only with the charger specified by the manufacturer.**
- ◆ A charger that is suitable for one type of battery pack may create a risk of fire when used with another battery pack.
- **Use power tools only with specifically designated battery packs.**
- ◆ Use of any other battery packs may create a risk of injury and fire.
- **When battery pack is not in use, keep it away from other metal objects, like paper clips, coins, keys, nails, screws or other small metal objects, that can make a connection from one terminal to another.**
- ◆ Shorting the battery terminals together may cause burns or a fire.
- **Under abusive conditions, liquid may be ejected from the battery; avoid contact. If contact accidentally occurs, flush with water. If liquid contacts eyes, additionally seek medical help.**
- ◆ Liquid ejected from the battery may cause irritation or burns.

### **Service**

- **Have your power tool serviced by a qualified repair person using only identical replacement parts.**
- ◆ This will ensure that the safety of the power tool is maintained.

## Hedge Trimmer Safety Warnings

## WARNING

- |   |   |
|---|---|
| <ul style="list-style-type: none"><li>○ <b>Keep all parts of the body away from the cutter blade. Do not remove cut material or hold material to be cut when blades are moving. Make sure the switch is off when clearing jammed material.</b></li><li>◆ A moment of inattention while operating the hedge trimmer may result in serious personal injury.</li><li>○ <b>Carry the hedge trimmer by the handle with the cutter blade stopped. When transporting or storing the hedge trimmer always fit the cutting device cover.</b></li><li>◆ Proper handling of the hedge trimmer will reduce possible personal injury from the cutter blades.</li></ul> | <ul style="list-style-type: none"><li>○ <b>Hold the power tool by insulated gripping surfaces only, because the cutter blade may contact hidden wiring.</b></li><li>◆ Cutter blades contacting a "live" wire may make exposed metal parts of the power tool "live" and could give the operator an electric shock.</li></ul> |
|---|---|

# For safe use of your product

## General precautions

### WARNING

#### Operator's manual

- Be careful to read the operator's manual properly before using your product in order to ensure correct operation.
- ◆ Failure to do so could lead to an accident or serious injury.



#### Do not use the product for anything other than its intended purpose

- You must not use the product for any purpose other than those described in the operator's manual.
- ◆ To do so could lead to an accident or serious injury.

#### Do not modify the product

- You must not modify the product.
- ◆ To do so could lead to an accident or serious injury. Any malfunction resulting from a modification to the product will not be covered by the manufacturer's warranty.

#### Do not use the product unless it has been checked and maintained

- You must not use the product unless it has been checked and maintained. Always ensure that the product is checked and maintained on a regular basis.
- ◆ Failure to do so could lead to an accident or serious injury.

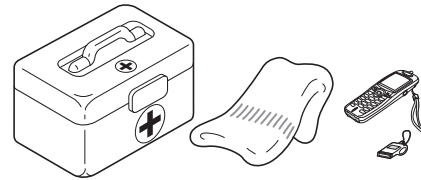
#### Loaning or assigning your product

- When loaning your product to another party, ensure that the person borrowing the product receives the operator's manual along with it.
- If you assign your product to another party, please enclose the operator's manual with the product when handing it over.
- ◆ Failure to do so could lead to an accident or serious injury.

#### Being prepared in case of an injury

In the unlikely event of an accident or injury, please ensure that you are prepared.

- First aid kit
- Towels and wipes (to stop any bleeding)
- Whistle or mobile phone (for calling outside help)
- ◆ If you are unable to perform first aid or call for outside help, the injury could worsen.



## Precautions for use

### DANGER

#### Starting the unit

- Never try to start the unit by positioning yourself on the blade side.
- ◆ Physical injury can occur if the cutter blades suddenly starts to move.

#### Do not remove the blunt extension

- Do not operate the product without the blunt extension. If it needs to be removed for the sake of maintenance, consult your dealer.
- ◆ Failure to comply may result in serious injury.

#### Always stop the unit when a blades jam occurs

- Do not attempt to remove an object causing a blades jam if the unit is running.
- ◆ Physical injury can occur if a blades jam is removed and the blades starts moving.

# For safe use of your product

## WARNING

### Users of the product

The product should not be used by:

- people who are tired
- people who have taken alcohol
- people who are on medication
- people who are pregnant
- people who are in poor physical condition
- people who have not read the operator's manual
- children

◆ Failure to observe these instructions could lead to an accident.

- The components of this machine generate an electromagnetic field during operation, which may interfere with some pacemakers. To reduce health risks, we recommend that pacemaker users consult their physician and the pacemaker manufacturer before operating this product.



### Environment of use and operation

- Do not use the product in places where there is no sure foothold, such as on steep slopes or after rainfall, as such places are slippery and dangerous.
- ◆ A serious injury could result if you fall or slip, or fail to operate the product correctly.

### Transport of the product

When transporting in the situations described below, turn off the unit and ensure that the cutter blades has stopped moving, then fit the blade cover. Do not carry unit with the power indicator LED illuminated.

- Moving to the place where you are working
- Moving to another area while you are working
- Leaving the place where you have been working
- ◆ Failure to observe these precautions could cause serious injury.
- When transporting the product by car, fit the blade cover, and secure the product firmly in place to prevent it from moving around.

### Vibration and cold

It is believed that a condition called Raynaud's Phenomenon which affects the fingers of certain individuals may be brought about by exposure to vibration and cold. Exposure to vibration and cold may cause tingling and burning, followed by loss of colour and numbness in the fingers.

The following precautions are strongly recommended because the minimum exposure which might trigger the ailment is unknown.

- Keep your body warm, especially the head and neck, feet and ankles, and hands and wrists.
- Maintain good blood circulation by performing vigorous arm exercises during frequent work breaks.
- Limit the number of hours of operation.  
Try to fill each day with jobs where operating the hedge trimmer or other hand-held power equipment is not required.
- If you experience discomfort redness and swelling of the fingers, followed by whitening and loss of feeling, consult your physician before exposing yourself further to cold and vibration.
- ◆ Failure to observe these instructions could result in damage to your health.

### Repetitive stress injuries

It is believed that over-using the muscles and tendons of the fingers, hands, arms and shoulders may cause soreness, swelling, numbness, weakness and extreme pain to the areas just mentioned. Certain repetitive hand activities may put you at a high risk for developing a repetitive stress injury (RSI).

To reduce the risk of RSI, do the following:

- Avoid using your wrist in a bent, extended or twisted position.
- Take periodic breaks to minimize repetition and rest your hands. Reduce the speed and force in which you do the repetitive movement.
- Do exercises to strengthen hand and arm muscles.
- See a doctor if you feel tingling, numbness or pain in your fingers, hands, wrists or arms. The sooner RSI is diagnosed, the more likely permanent nerve and muscle damage can be prevented.
- ◆ Failure to observe these instructions could result in damage to your health.

# For safe use of your product

## WARNING

### Starting the unit

Be particularly careful to observe the following precautions when starting the unit:

- Always ensure all handles and guards are fitted
- Check that none of the nuts and bolts are loose
- Check that the cutter blades are not damaged or excessively worn. If you find any abnormalities, do not use the product.
- Place the product in a flat, well ventilated place
- Leave plenty of space around the product and do not allow people or animals near it
- Remove obstructions, if any
- Make sure that the cutter blades are not touching the ground or any obstacles
- ◆ Failure to observe the precautions could cause an accident or injury, or even lead to a fatality.

### Once the unit has started, check for abnormal vibrations and sounds

- Check that there are no abnormal vibrations or sounds once the unit starts. Do not use the product if there are abnormal vibrations or sounds. Contact your dealer to have it repaired.
- ◆ Accidents involving parts that fall or shatter off can cause wounds or serious injury.

### Do not touch high temperature or high voltage components while the product is running

Do not touch the following high temperature or high voltage components while the product is running or for some time after it stops.

- High temperature components
  - ◆ You could burn yourself if you touch a high temperature component.
- High voltage components
  - ◆ You could receive an electric shock if you touch a high voltage component while the product is running.



### Turn off the unit when checking or maintaining the product

Observe the following precautions when checking and maintaining your product after use:

- Turn off the unit and do not attempt to check or maintain the product until the unit has cooled
- ◆ You could burn yourself.

# For safe use of your product

## WARNING

### Remove foreign objects and obstructions before working with the product

- Inspect area that the product will be used in. Remove stones, metal objects and any other object that could jam or damage the product.
- ◆ An accident or serious injury can occur if the cutting device throws foreign objects.

### Turn off the unit immediately if anything goes wrong

In the following situations, turn off the unit immediately and ensure that the cutting device has stopped before checking each area of the product. Replace any damaged parts.

- If the cutting device hits a rock, tree, post, or other such obstruction while you work.
- If the product suddenly starts to vibrate abnormally.
- ◆ Continuing to use parts when they are damaged could lead to an accident or serious injury.

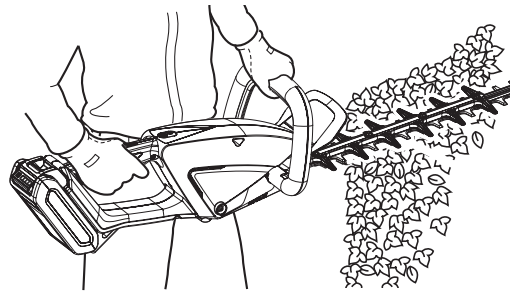
### The area within a 10 m radius is a danger zone

The area within a 10 m radius of the product is a danger zone. Be careful to observe the following precautions while working with the product.

- If another person enters the danger zone, turn off the unit to stop the blades.
- When approaching the operator, give a signal to him by, for example, throwing twigs at him from the outside of the danger zone, and then check that the unit has been switched off and the blades has stopped moving.
- Do not allow anyone to hold the material you are cutting.
- ◆ Any contact with the cutter blades could cause serious injury.

### Do not operate the product one-handed

- Keep both hands on handles while the unit is running. Never operate the product with only one hand.
- Keep a firm grip on the hedge trimmer with both hands, one hand on the front handle, the other hand on the rear handle.
- Use a firm grip with thumbs and fingers encircling the handles.
- Never remove hands from the product when the blades are moving.
- ◆ Failure to observe these instructions will cause the product to be held unsteadily and could result in serious injury.



### Make sure that the cutter blades are stopped before putting the product on the ground

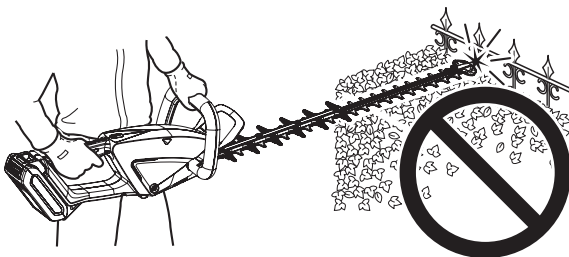
- When you turn off the unit, check to ensure the cutter blades have stopped moving before you lower the product to the ground.
- ◆ Even if the unit has been turned off, the blades can still cause an injury while free-wheeling.



## WARNING

### Do not use the product to cut hard objects

- Do not use the product to cut hard objects such as wires or steel plates.
- If the blades strike an obstruction or are prevented from functioning properly, stop the unit and inspect the blades for damage.
- ◆ Failure to follow these instructions could cause breakage of the product or an accident.



### Never use the product getting on a ladder or a stool

- Do not overreach or stand on unstable surfaces.
- Do not use the product when being at the top of the ladder or standing on a stool.
- ◆ Failure to do so could lead to an accident or serious injury.

# For safe use of your product

## Protective gear

### WARNING

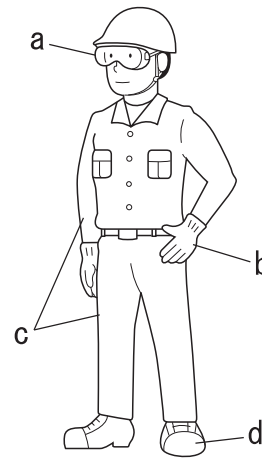
#### Wear protective gear

Always wear the following protective gear when working with the hedge trimmer.

- a **Safety goggles:** Protect the eyes
  - b **Safety gloves:** Protect the hands from cold and vibration
  - c **Trim fitting clothes (long sleeves, long trousers):** Protect the body
  - d **Sturdy shoes or boots :** Protect the feet
- ◆ Failure to observe these precautions could result in damage to your sight or hearing, or lead to a serious injury.

**When necessary, please use the protective gear below.**

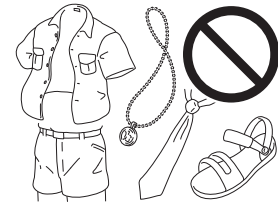
- Head protection (helmet):** Protects the head
- Ear muffs or ear plugs:** Hearing protection
- Dust mask:** Breathing protection
- Bee net:** Insect protection



#### Wear proper clothing

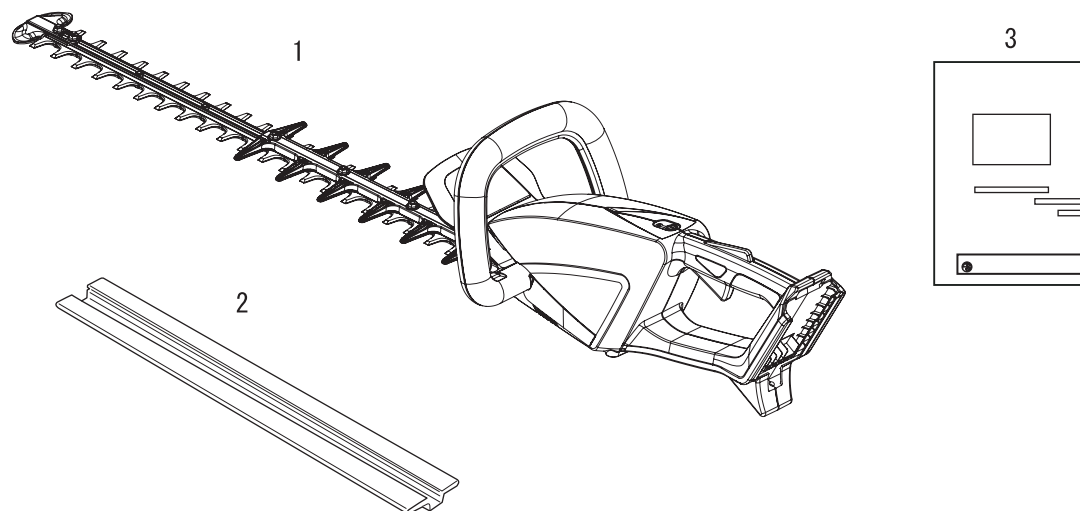
Do not wear ties, jewellery, or loose, dangling clothing which could be caught in the unit. Do not wear open toed footwear, or go bare foot or bare-legged.

- ◆ Failure to observe these precautions could result in an accident or lead to a serious injury.

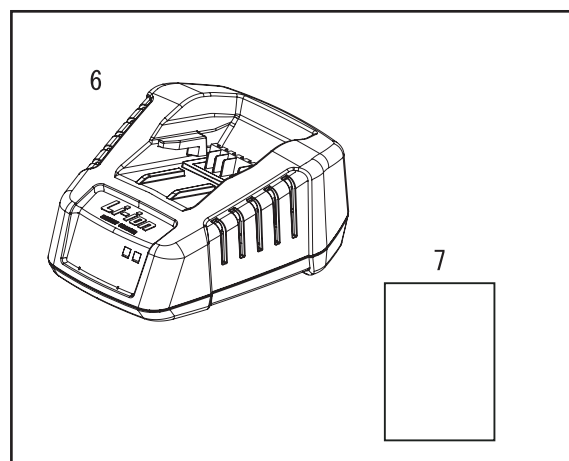
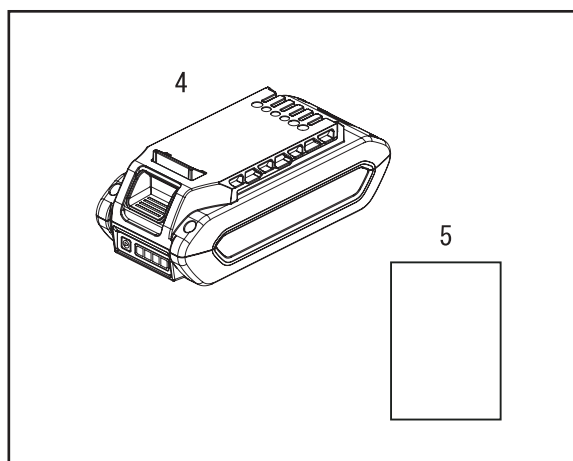


# Packing list

- ♦ The following parts are packed separately in the packing box.
- ♦ When you have unpacked the box, please check the parts that it contains.
- ♦ Contact your dealer if anything is missing or broken.



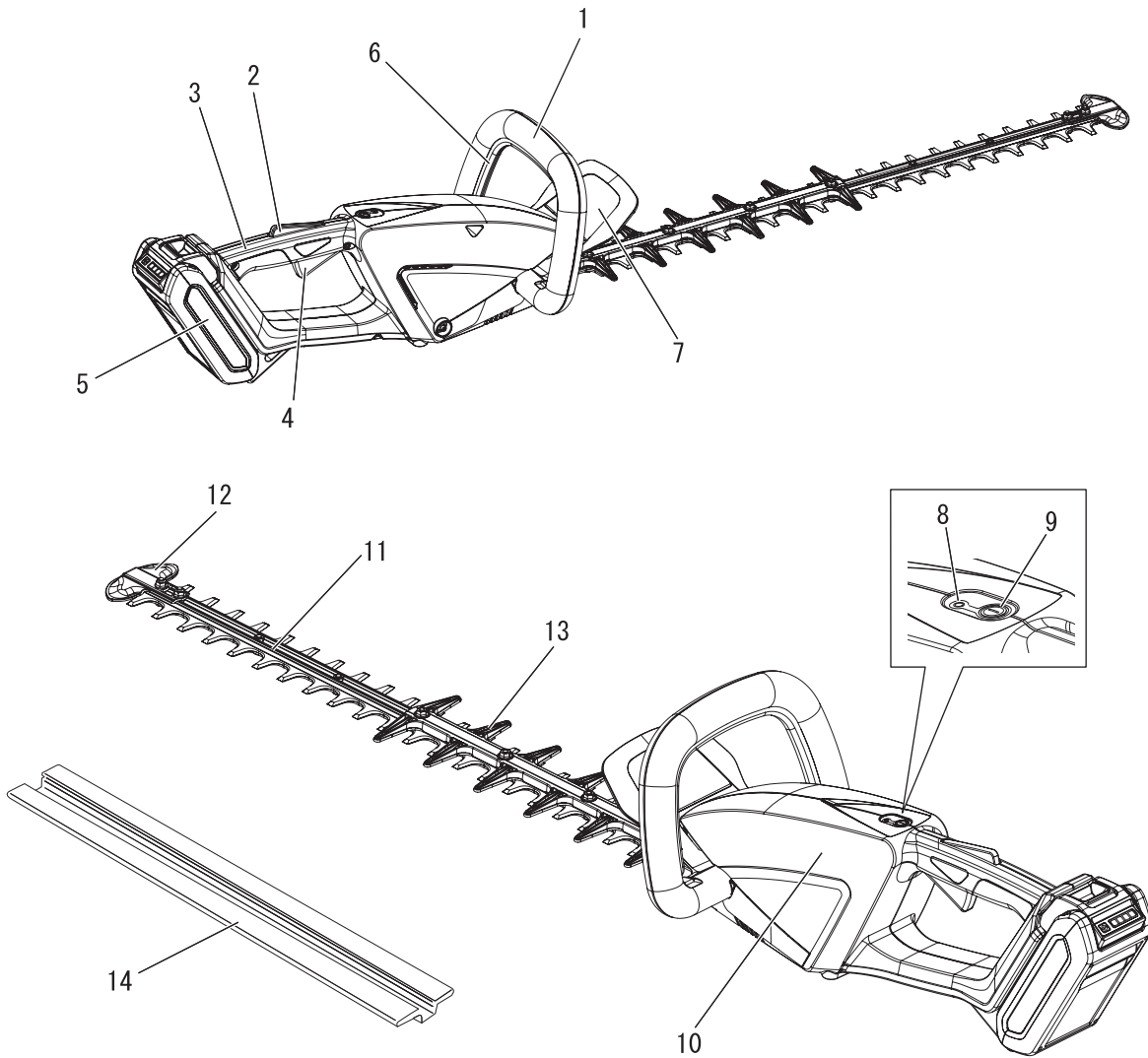
Number	Part name	Quantity
(1)	Hedge trimmer assembly	1
(2)	Blade cover	1
(3)	Operator's manual	1



Number	Part name	Quantity
(4)	Battery pack	1
(5)	Operator's manual	1
(6)	Charger	1
(7)	Operator's manual	1

# Description

---



1. **Front handle** Handle located on the cutting device.
2. **Trigger switch lockout** Locks trigger switch in the off position until you have a proper grip with your right hand around the handle.
3. **Rear handle** Handle located furthest from the cutting device.
4. **Trigger switch** Activated by the operator's finger for turning the motor on.
5. **Battery pack**
6. **Interlock switch** Stops the hedge trimmer whenever the front handle is released.
7. **Guard** Guard between the front handle and cutting device for protecting the hand from injuries if the hand slips off the handle.
8. **Power indicator LED** Remains illuminated when power to unit is turned on. Turns off when power to unit is off.
9. **Power button** Press once to turn on power to the unit, power indicator LED illuminates. Press once more to turn power off to unit, power indicator LED turns off.
10. **Motor unit**
11. **Cutting device** That part of the assembly of cutter blade and shear plate together with any supporting part, which performs the cutting action.
12. **Blade tip guard** Protects blades from the wear and damage of hitting against foundation walls or digging into soil to help prolong the life of the blades.
13. **Blunt extension** An extending blunt part of the cutting device.
14. **Blade cover** When transporting or storing the product always fit the blade cover.



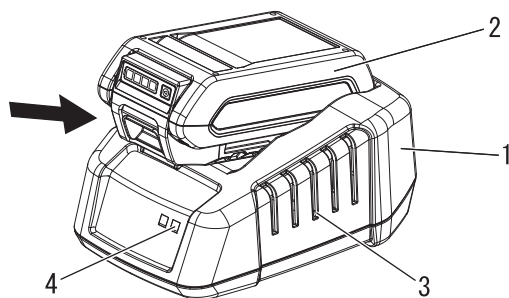
## Assembly Battery charging

### WARNING

- Always use battery pack LBP-560-100/LBP-560-200 and charge only with LCJQ-560 charger.
- Keep charger and battery away from damp conditions and all liquids.
- Do not operate the charger on an easily combustible surface (e.g. paper, textiles) or in an environment with a high risk of fire.
- Do not cover the charger. Covering the charger will prevent it from cooling.
- Do not operate the charger in explosive atmospheres, such as in the presence of flammable liquids, gases or dust. Chargers can produce sparks which may ignite the dust or fumes - there is a risk of explosion.
- Connect the charger only to the mains of voltage and frequency specified on the rating plate.
- Connect the charger only to an easily accessible wall outlet.
- Never insert objects in the battery pack's or charger's cooling slots.
- Do not charge or use a defective, damaged or deformed battery pack and charger.
- Do not open, damage or drop the battery pack or the charger.
- Fluid may leak from the battery if it is damaged or not used properly; avoid contact with the skin. In the event of accidental contact, wash the affected areas of the skin with plenty of water and soap. If fluid gets in the eyes, do not rub. Rinse the eyes with plenty of water for at least 15 minutes. Also seek medical assistance.
- Never bridge (short circuit) the battery pack contacts or the charger's terminals with metallic objects.
- Protect from direct sunlight, heat and open flames and never throw battery into fire; there is a risk of explosion.
- In the event of smoke or fire in the charger, disconnect it from the wall outlet immediately.
- If the connecting cord is damaged, immediately disconnect the plug from the power supply to avoid the risk of electric shock.
- Do not expose battery pack to microwaves or high pressure.
- Secure the unit against unintentional startup. Remove the battery pack from the unit before transporting or storing the unit. Do not use metal containers for transporting batteries.
- To reduce the risk of stumbling, position and mark the connecting cord in such a way that it cannot be damaged or endanger others.

### NOTE

- The battery comes partially charged from the factory and needs to be fully charged before first use.
- Charge the battery when it no longer produces sufficient power to operate the unit or when battery lights indicate that the battery is low.



1. Charger  
2. Battery

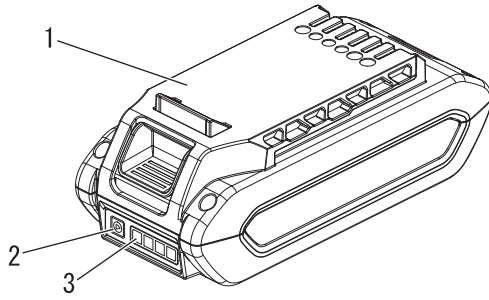
3. Cooling slots  
4. Charger LED

1. Plug charger AC cord in the wall outlet.
2. Align ridges on battery with grooves on charger, and slide battery into charger.
3. During normal charging, the charger LED will blink continuously GREEN.

### IMPORTANT

- If charger detects a problem, LED blinks RED. Remove battery from charger, clear obstructions from contacts and reinstall battery into charger. If battery is outside acceptable temperature range (0°C to 60°C) LED remains RED.

# Before you start



- 1. Battery
- 2. Battery charge status button
- 3. LED display

4. When charging is complete, LED will remain GREEN.
  - \* A fully discharged battery pack will charge in about 42 minutes. (LBP-560-100)
  - \* A fully discharged battery pack will charge in about 88 minutes. (LBP-560-200)
5. Verify battery is fully charged by removing battery from charger, then pressing battery charge status button, and checking LED display.
  - ♦ One green light indicates that the battery has 0-25% charge.
  - ♦ Two green lights indicate that the battery has 25-50% charge.
  - ♦ Three green lights indicate that the battery has 50-75% charge.
  - ♦ Four green lights indicate that the battery has 75-100% charge.
6. Disconnect battery charger from power supply.

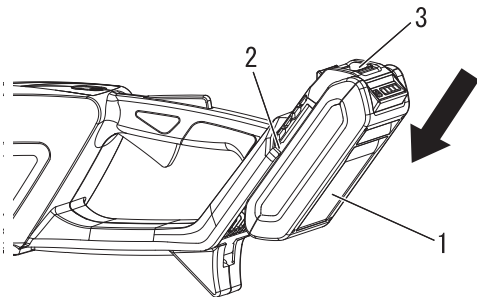
## Fitting and removing the battery

### WARNING

○ The hedge trimmer will operate when the battery is installed, the power indicator LED is lit, and the trigger switch, trigger switch lockout, and interlock switch are engaged. Make sure the hedge trimmer is properly positioned to prevent loss of control and possible serious injury. Keep movable parts of the hedge trimmer off the ground and away from objects that could become entangled.

### NOTE

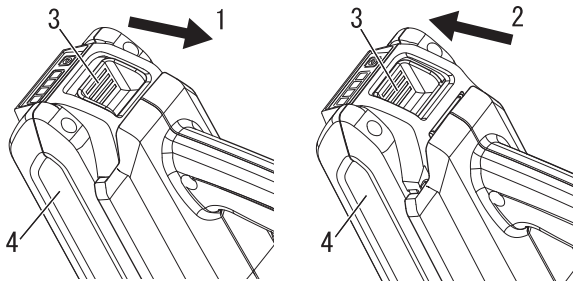
♦ The battery comes partially charged from the factory and needs to be fully charged before first use.



- 1. Battery
- 2. Ridge
- 3. Battery pack latch

### Fitting the battery

1. Make sure power to unit is turned off.
2. Align ridges on battery with groove on hedge trimmer, and insert battery until battery pack latch gets in the complete position.



- 1. Complete position
- 2. Uncomplete position
- 3. Battery pack latch
- 4. Battery pack

### IMPORTANT

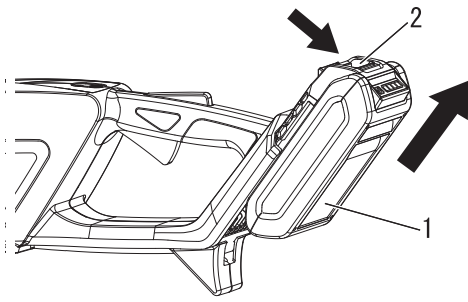
Before using the hedge trimmer, make sure that battery is set correctly with battery pack latch in the complete position.

### NOTE

♦ Battery pack latch is in the complete position when battery pack latch is correctly engaged.

# Before you start

---



1. Battery

2. Battery pack latch

## Removing the battery

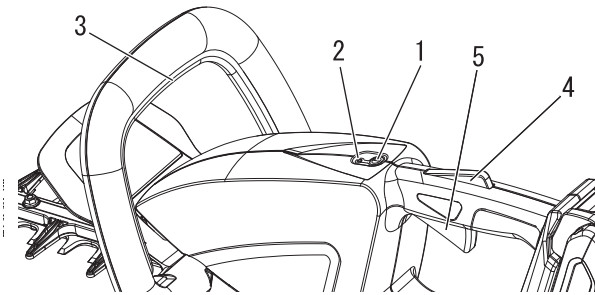
1. To remove battery, depress battery pack latch, and slide battery out of the hedge trimmer.

# Operation

## Starting the unit

### WARNING

- When starting the unit, observe the precautions described from Page 4 in the section "For safe use of your product" to ensure that you operate the product correctly.
- ◆ Failure to observe the precautions could cause an accident or injury, or even lead to a fatality.



- 1. Power button
- 2. Power indicator LED
- 3. Interlock switch
- 4. Trigger switch lockout
- 5. Trigger switch

1. Remove blade cover.
2. Push power button once to turn on power to unit.

### NOTE

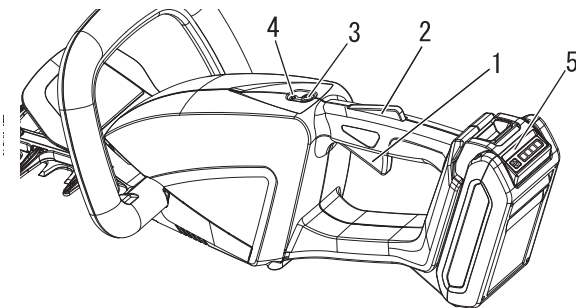
- ◆ Power indicator LED illuminates when power to unit is turned on.
3. Hold the hedge trimmer by both handles. The interlock switch on the front handle must be engaged for the hedge trimmer to start and/or continue to run.
  4. Hold down trigger switch lockout and depress trigger switch to increase blade speed.

### IMPORTANT

When power to the unit is turned on:

- ◆ After one minute of inactivity, unit will power itself off.
- ◆ If the LED remains lit, operation is normal.
- ◆ If the LED flashes once per second, the battery needs to be charged.
- ◆ If the LED flashes four times per second, there is a fault within the product. Turn power off to unit. Remove battery. Clear debris from around blades. Install battery. Turn power on to unit. If flashing continues, have your authorized servicing dealer repair the product.

## Stopping the unit



- 1. Trigger switch
- 2. Trigger switch lockout
- 3. Power button
- 4. Power indicator LED
- 5. Battery

1. Release trigger switch and trigger switch lockout, and allow blades to stop.
2. Push power button to turn off power to unit.

### NOTE

- ◆ Power indicator LED turns off when power to unit is turned off.

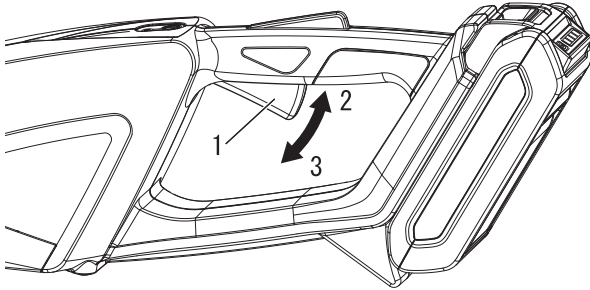
- \* If the power button does not stop the hedge trimmer, remove the battery to stop the power supply to hedge trimmer. Have your authorized ECHO servicing dealer repair power button before using hedge trimmer again. If the blades do not stop when the trigger switch, trigger switch lockout, and interlock switch are released, remove the battery to stop the power supply to hedge trimmer. Have your authorized ECHO servicing dealer repair unit before using again.

# Hedge and shrub trimming operation

## Basic hedge trimming operation

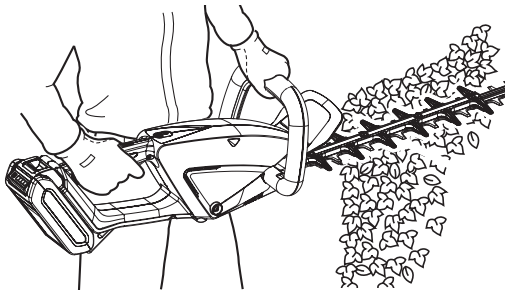
### NOTE

- ♦ This product is designed to cut shrubs and hedges with branches no larger than 6 mm in diameter.



1. Trigger switch  
2. High speed

3. Stop



- ♦ Pulling the trigger switch will cause the cutter blades to start moving. Adjust the operating speed depending on, for example, the amount of the hedges to be cut.

- ♦ Conduct cutting work with the cutter blades positioned away from you. Do not orient the cutter blades toward yourself or put it closer to yourself.
- ♦ When cutting the top of the hedges or shrubs, do so by moving the cutter blades from side to side. Tidy trimming will be made possible by moving the blades slightly cast down.
- ♦ When cutting sides, do so by moving the cutter blades in the bottom-up direction for tidy trimming.
- ♦ Do not press the cutter blades against the objects like trees. Operate the product in accordance with the movement and the speed of the cutter blades.

# Maintenance and care

## Servicing guidelines

Area	Maintenance	Page	Before use	Monthly
Battery	Inspect/Clean/Charge	15	•	
Gear housing	Grease	21	• (15-20 h)	
Blades	Inspect/Clean/Lubricate	20	•	
Screws, bolts and nuts	Inspect/Tighten/Replace	-	•	

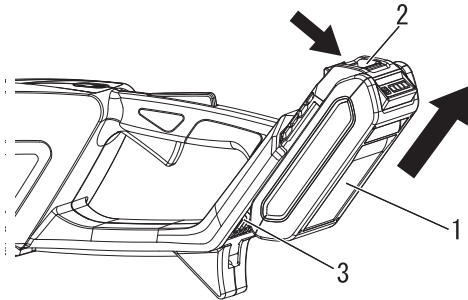
## IMPORTANT

Time intervals are maximum. Actual use and your experience will determine the frequency of required maintenance. Record dates of monthly and yearly inspections.

## Maintenance and care

If you have any questions or problems, please contact your dealer.

### Cleaning battery and battery compartment



- 1. Battery
- 2. Battery pack latch
- 3. Battery compartment

### ⚠ WARNING

○ Risk of electric shock or fire. Do not use conducting materials to clean battery or battery compartment.

1. Release trigger switch and trigger switch lockout and allow trimmer head to stop.
2. Make sure power indicator LED is not illuminated.
3. Depress battery pack latch release slide battery pack out of power head.
4. Use compressed air or a soft bristle brush to remove debris from battery and battery compartment.

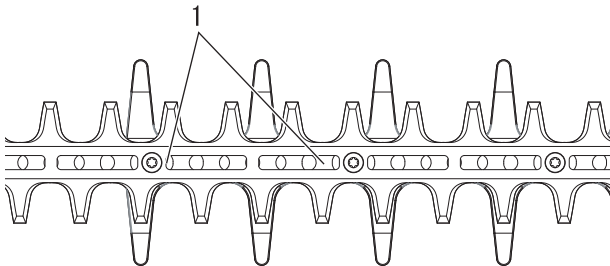
### Care for cutting blades

### ⚠ CAUTION

- Wear gloves to protect hands from sharp blades.
- ◆ Failure to observe these precautions could lead to injury.

#### Lubricating blades (Every 4 hours of operation)

Apply a few drops of oil to each of the bolt slots at the bottom of the blades.



- 1. Bolt slots

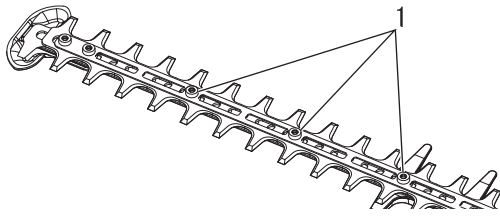
#### Cleaning blades (After each use)

Remove gummy residue from blades with a 50 : 50 mixture of kerosene (paraffin) and machine oil.

# Maintenance and care

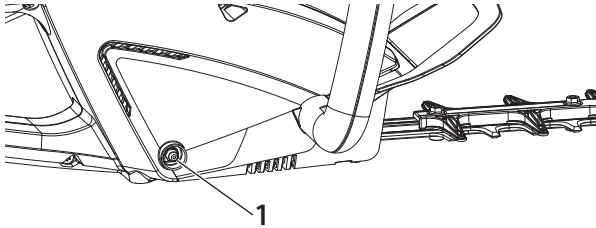
## Cutter blade adjustment

Standard blades require no periodic adjustments. Make sure all blade shoulder bolts are tight and in good condition.



1. Shoulder bolt

## Lubricating gear housing



1. Grease fitting

### Tools required:

Grease gun, Rag.

### Parts required:

Lithium based grease.

1. Clean dirt from grease fitting.
2. Hold the product firmly and carefully pump grease in fitting. Do not force grease. Too much pressure will force grease past seals and cause damage. **Apply 1 - 2 pumps of grease every 15 - 20 hours of operation.**

## NOTE

Use good quality lithium multi grease.

# Maintenance and care

## Troubleshooting table

Trouble	Cause	Solution
Red Charger light flashes or does not light up	<ul style="list-style-type: none"> <li>♦ Plug not connected to power outlet</li> <li>♦ Battery pack not installed properly</li> <li>♦ Obstructed connection</li> <li>♦ Fault in the charger</li> <li>♦ Fault in the battery pack</li> </ul>	<ul style="list-style-type: none"> <li>♦ Plug in the charger</li> <li>♦ Check the battery pack installation</li> <li>♦ Reinstall battery pack again after removing obstructions from connection</li> <li>♦ Consult your ECHO dealer</li> <li>♦ Consult your ECHO dealer</li> </ul>
Unit will not turn on	<ul style="list-style-type: none"> <li>♦ Battery pack not installed properly</li> </ul>	<ul style="list-style-type: none"> <li>♦ Check the battery pack installation</li> </ul>
Unit does not run when turned on	<ul style="list-style-type: none"> <li>♦ Battery pack discharged</li> <li>♦ Blades obstructed</li> <li>♦ Battery pack outside acceptable temperature range</li> <li>♦ Seized blades</li> </ul>	<ul style="list-style-type: none"> <li>♦ Charge the battery pack</li> <li>♦ Turn off the unit remove battery and clean obstruction from blades</li> <li>♦ Remove the battery pack and allow to cool</li> <li>♦ Brush loose debris from blades and lubricate</li> </ul>
Running time is too short	<ul style="list-style-type: none"> <li>♦ Battery pack outside acceptable temperature range</li> <li>♦ Unit electronics too hot</li> <li>♦ Battery pack discharged</li> <li>♦ Damaged blades</li> </ul>	<ul style="list-style-type: none"> <li>♦ Remove the battery pack and allow to cool</li> <li>♦ Turn unit off and allow to cool</li> <li>♦ Charge the battery pack</li> <li>♦ Consult your ECHO dealer</li> </ul>
Unit vibrates excessively	<ul style="list-style-type: none"> <li>♦ Fault in internal parts</li> </ul>	<ul style="list-style-type: none"> <li>♦ Consult your ECHO dealer</li> </ul>

- ♦ Checking and maintenance requires specialist knowledge. If you are unable to check and maintain the product or deal with a fault yourself, consult your dealer. Do not attempt to dismantle the product.
- ♦ Consult your dealer in the event of a problem that is not covered in the table above, or other such concerns.
- ♦ For spare parts and consumables, please use only genuine parts and designated products and components. Using parts from other manufacturers or non-designated components may result in a malfunction.

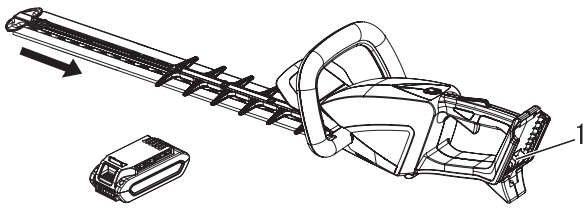


## Storage

### **WARNING**

**Do not store in an enclosure where combustible fumes may accumulate.**  
You could cause a fire.

When storing the product for long periods of time, ensure that the following preparations for storage are carried out.



1. Battery compartment

### **Hedge Trimmer**

Do not store your unit without performing protective storage maintenance which includes the following:

1. Turn power to unit off.
2. Remove battery from hedge trimmer.
3. Remove accumulation of dirt and debris from exterior of unit.
4. Tighten all screws and nuts.
5. Replace blade cover.
6. Cover battery compartment of hedge trimmer.
7. Store unit in a dry, dust-free place, out of the reach of children.

### **Battery**

1. Remove battery from hedge trimmer.
2. Store in a dry, dust-free place, out of the reach of children.
3. Store in temperatures between  $-20^{\circ}\text{C}$  ( $-4^{\circ}\text{F}$ ) and  $60^{\circ}\text{C}$  ( $140^{\circ}\text{F}$ ).
4. If battery is stored for longer than one year, charge it to approximately 40 - 60% capacity.

### **Battery Charger**

1. Remove battery from battery charger.
2. Disconnect battery charger from power supply.
3. Store in a dry, dust-free place, out of the reach of children.

# Disposal procedure

---



- ♦ Major plastic parts making up the product have codes showing their materials.  
The codes refer to the following materials; dispose of those plastic parts in accordance with local regulations.

Mark	Material
>PA6-GF<	Nylon 6 - Glass fiber
>PP-GF<	Polypropylene - Glass fiber
>PE-HD<	Polyethylene

- ♦ Battery contains lithium. Dispose of only at a designated collection point.
- ♦ Lithium-ion batteries must be recycled or disposed of properly.
- ♦ Please contact your ECHO dealer in case you do not know how to dispose of or recycle waste plastic parts.

# Specifications

		DHC-200
<b>Mass:</b>		
without battery	kg	3.3
with battery	kg	4.3
<b>Cutting device:</b>		
Type		Dual action, double sided
Cutting length	mm	624
Pitch	mm	30
Height	mm	20
<b>Gear ratio and lubrication</b>		12.2 reduction and good quality lithium grease
<b>External Dimensions:</b> length x width x height (with battery)	mm	1196 x 232 x 197
<b>Battery:</b>		
Type		Li-Ion
Pack voltage	V	56 (rated 50.4)
Charger type		CCCV
Charger input voltage	V	AC 230 - 240
<b>Battery Charger Lights:</b>		Red LED – Battery is outside charging temperature range Red LED Blinking – Fault Green LED – Battery finished charging Green LED Blinking – Battery is charging normally
<b>Charge Time:</b>		LBP-560-100 battery: Approximately 42 minutes. LBP-560-200 battery: Approximately 88 minutes.
<b>Sound Pressure Level:</b> (EN60745-2-15)	dB(A)	70.4
<b>Sound Power Level:</b> (EN60745-2-15)	dB(A)	81
Uncertainty	dB(A)	3
<b>Vibration levels:</b> (EN60745-2-15)		
Front handle	m/s <sup>2</sup>	2.2
Rear handle	m/s <sup>2</sup>	2.9
Uncertainty:K	m/s <sup>2</sup>	1.5

These specifications are subject to change without notice.

- ♦ The declared vibration total value has been measured in accordance with a standard test method and may be used for comparing one tool with another.
- ♦ The declared vibration total value may also be used in a preliminary assessment of exposure.

# Declaration of conformity

---

The undersigned manufacturer:

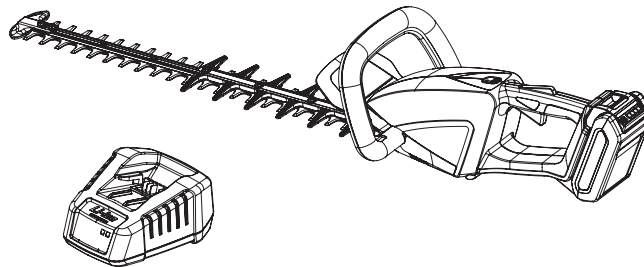
YAMABIKO CORPORATION  
7-2 SUEHIROCHO 1-CHOME  
OHME; TOKYO 198-8760  
JAPAN

This declaration of conformity is issued under the sole responsibility of the manufacturer.

Declares that the hereunder specified new unit:

## PORTABLE HEDGE TRIMMER BATTERY CHARGER

Brand: ECHO  
Type: DHC-200  
LCJQ-560



assembled by:

ECHO, INCORPORATED  
400 Oakwood Road  
Lake Zurich, Illinois 60047-1564

U.S.A.

Complies with:

- \* The requirements of Directive **2006/42/EC** (use of harmonized standard **EN 60745-1: 2009, EN 60745-2-15: 2009**)
- \* The requirements of Directive **2014/30/EU** (use of harmonized standard **EN 55014-1: 2006, EN 55014-2: 1997, EN 61000-3-2: 2006, and EN 61000-3-3: 2008**)
- \* The requirements of Directive **2014/35/EU** (use of harmonized standard **EN 60335-1: 2012, EN 60335-2-29: 2004, and EN 62233: 2008**)
- \* The requirements of Directive **2000/14/EC**  
Conformity assessment procedure followed **ANNEX V**
- \* The requirements of Directive **2011/65/EU** (use of harmonized standard **EN 50581: 2012**)

Measured sound power level: 81 dB(A)

Guaranteed sound power level: 84 dB(A)

**DHC-200** Serial Number 35000001 and up

**LCJQ-560** Serial Number 35001001 and up

Tokyo, July 1st, 2016

## YAMABIKO CORPORATION

*Masayuki Kimura*

---

**Masayuki Kimura**  
**General Manager**  
**Quality Assurance Dept.**

**The authorized representative in Europe who is authorized to compile the technical file.**

Company: Atlantic Bridge Limited  
Address: Atlantic House, PO Box 4800,  
Earley, Reading RG5 4GB, UK

**Mr. Philip Wicks**

# MEMORANDUM

# YAMABIKO CORPORATION

7-2 SUEHIROCHO 1-CHOME, OHME, TOKYO 198-8760, JAPAN  
PHONE: 81-428-32-6118. FAX: 81-428-32-6145.



X750-027400

X750817-0301



FRANÇAIS  
FR (Notice originale)

# MANUEL D'UTILISATION

## TAILLE-HAIE RECHARGEABLE

### DHC-200



#### AVERTISSEMENT

LIRE ATTENTIVEMENT LES INSTRUCTIONS ET SUIVRE LES RÈGLES DE SÉCURITÉ.  
LE NON-RESPECT DES RÈGLES DE SÉCURITÉ ENTRAÎNE UN RISQUE DE BLESSURE GRAVE.

# Information importante

---

**Lire attentivement le manuel d'utilisation avant d'utiliser l'appareil pour la première fois.**

## ○ Utilisation de l'appareil

- ♦ Les taille-haies ECHO sont des machines légères de grande qualité conçues pour tailler haies et arbustes.
- ♦ Ne pas détourner cet outil de son utilisation normale.

## ○ Utilisateurs de l'appareil

- ♦ Lire attentivement ce manuel d'utilisation et assimiler les informations qu'il contient avant d'utiliser l'appareil pour la première fois.
- ♦ Toute personne n'ayant pas lu attentivement ce manuel d'utilisation, enrhumée, fatiguée ou en mauvaise condition physique ne doit pas utiliser cet appareil. Ne pas laisser un enfant manipuler l'appareil.
- ♦ L'utilisateur est tenu pour responsable en cas d'accidents ou de risques pouvant entraîner des accidents corporels ou des dommages matériels.

## ○ À propos du manuel d'utilisation

- ♦ Ce manuel contient les informations nécessaires à l'utilisation et à l'entretien de l'appareil. L'utilisateur doit donc le lire attentivement et assimiler les informations qu'il contient.
- ♦ Toujours conserver le manuel à portée de main.
- ♦ En cas de perte du manuel ou si ce dernier a été détérioré et n'est plus lisible, s'adresser au REVENDEUR ECHO pour en obtenir un nouveau.
- ♦ Les unités utilisées dans ce manuel sont les unités SI (Système international d'unités). Les chiffres indiqués entre parenthèses sont des valeurs de référence. De légères erreurs de conversion peuvent survenir dans certains cas.

## ○ Prêt ou cession de l'appareil à un tiers

- ♦ Si l'appareil décrit dans ce manuel est prêté à un tiers, veiller à lui confier également le manuel d'utilisation fourni avec l'appareil. Si l'appareil est cédé à un tiers, transmettre le manuel d'utilisation fourni avec l'appareil lors de la vente.

## ○ Renseignements

- ♦ S'adresser à un REVENDEUR ECHO pour toute demande d'information concernant l'appareil, l'achat de consommables, les réparations ou pour tout autre renseignement.

## ○ Remarques

- ♦ Le constructeur se réserve le droit de modifier sans préavis le contenu de ce manuel en fonction des améliorations apportées au produit. Il se peut que certains des schémas de ce manuel soient différents de l'appareil. Ces différences ont pour objectif de rendre les explications plus claires.
- ♦ En cas de doute, consulter un REVENDEUR ECHO.

## Fabricant

**YAMABIKO CORPORATION**

**7-2 SUEHIROCHO 1-CHOME, OHME, TOKYO 198-8760, JAPON**

## Représentant autorisé en Europe

**Atlantic Bridge Limited**

**Atlantic House, PO Box 4800, Earley, Reading RG5 4GB, Royaume-Uni**



# Table des matières

---

Pour utiliser l'appareil en toute sécurité.....	4
Étiquettes et symboles d'avertissement .....	4
Autres indications .....	4
Symboles.....	4
Emplacement de l'étiquette de sécurité.....	5
Manipulation de l'appareil.....	6
Contenu de l'emballage .....	13
Description.....	14
Avant de commencer.....	15
Assemblage.....	15
Fonctionnement.....	18
Mise en marche de l'appareil.....	18
Arrêt de l'appareil.....	18
Taille de haies et d'arbustes .....	19
Taille de haie de base .....	19
Entretien .....	20
Instructions d'entretien de l'appareil .....	20
Entretien .....	20
Remisage.....	23
Remisage .....	23
Procédure d'élimination des déchets.....	24
Caractéristiques.....	25
Déclaration de conformité.....	26

# Pour utiliser l'appareil en toute sécurité

## Lire attentivement cette section avant d'utiliser l'appareil pour la première fois.

○ Les mesures de précaution décrites dans cette section contiennent des informations essentielles pour la sécurité. Les suivre scrupuleusement.

○ Il est également nécessaire de prendre connaissance des mesures de précaution exposées tout au long de ce manuel. Le texte précédé d'une puce [en forme de losange] décrit les risques encourus en cas de non-respect d'une mesure de précaution.


## Étiquettes et symboles d'avertissement

Les mises en garde figurant dans le manuel et sur l'appareil signalent les situations pouvant entraîner un risque de blessure de l'utilisateur et d'autres personnes. Pour des raisons de sécurité, toujours lire et suivre attentivement les instructions qui les accompagnent.

 <b>DANGER</b>	 <b>AVERTISSEMENT</b>	 <b>ATTENTION</b>
Ce symbole associé au mot « <b>DANGER</b> » signale une action ou une situation présentant un risque de blessure corporelle grave ou d'accident mortel pour l'utilisateur et les personnes à proximité.	Ce symbole associé au mot « <b>AVERTISSEMENT</b> » signale une action ou une situation présentant un risque de blessure corporelle grave ou d'accident mortel pour l'utilisateur et les personnes à proximité.	« <b>ATTENTION</b> » signale une situation potentiellement dangereuse qui, si elle n'est pas évitée, peut entraîner une blessure légère à modérée.







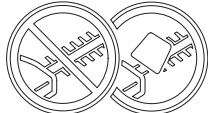

## Autres indications

Outre les étiquettes et les symboles d'avertissement, ce manuel contient les symboles d'explication suivants :






	Le cercle barré indique une interdiction.	<b>REMARQUE</b>	<b>IMPORTANT</b>
		Ce type de message fournit des conseils relatifs à l'utilisation et à l'entretien de l'appareil.	Le texte dans l'encadré où figure le mot « <b>IMPORTANT</b> » donne des informations importantes concernant l'utilisation, la vérification, l'entretien et le remisage de l'appareil décrit dans ce manuel.

## Symboles

De nombreux symboles d'explication sont utilisés dans ce manuel et sur l'appareil lui-même. S'assurer d'avoir bien compris la signification de chacun de ces symboles.

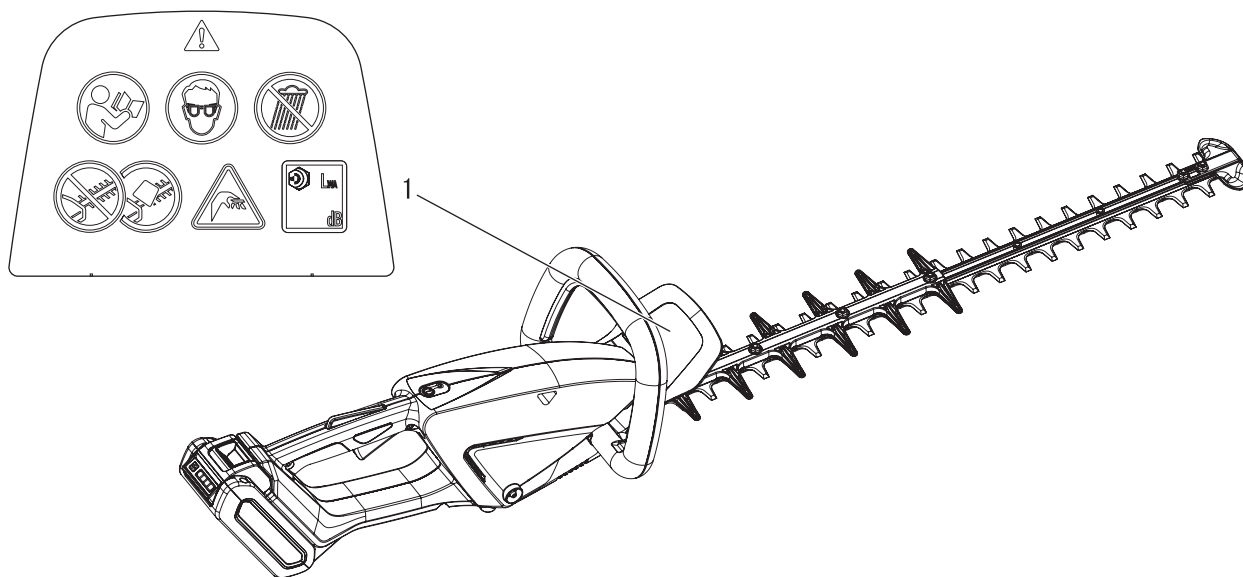
Forme des symboles	Description/application des symboles	Forme des symboles	Description/application des symboles
	Lire attentivement le manuel d'utilisation		Porter des lunettes de protection
	Alerte/sécurité		Risque de sectionnement des doigts
	Attention aux risques de choc électrique		Attention aux températures élevées
	Ne jamais utiliser cet appareil si les protections ne sont pas en place		Ne jamais utiliser cet appareil lorsqu'il pleut ou dans des endroits humides

# Pour utiliser l'appareil en toute sécurité

Forme des symboles	Description/application des symboles	Forme des symboles	Description/application des symboles
	Niveau de puissance sonore garanti		Protection de l'environnement !
	Volts	 ou DC	Courant continu
	Mouvements par minute		

## Emplacement de l'étiquette de sécurité

- L'autocollant de sécurité ci-dessous a été apposé sur l'appareil décrit dans ce manuel. S'assurer de bien comprendre la signification de l'autocollant avant d'utiliser l'appareil.
- Si l'autocollant devient illisible avec le temps ou s'il s'est décollé ou a été déchiré, acheter un autocollant de rechange chez un revendeur et le coller à l'emplacement indiqué sur les illustrations ci-dessous. Veiller à ce que l'autocollant soit toujours lisible.



1. Autocollant de sécurité (référence X505-008920)

# Pour utiliser l'appareil en toute sécurité

## Manipulation de l'appareil

### Consignes générales de sécurité concernant les outils motorisés

#### AVERTISSEMENT

##### **Lire l'ensemble des mises en garde et consignes de sécurité.**

Négliger les mises en garde et consignes de sécurité pourrait entraîner un choc électrique, un départ de feu ou un accident corporel grave.

##### **Conserver l'ensemble des mises en garde et consignes de sécurité pour pouvoir les consulter ultérieurement.**

Le terme « outil motorisé » utilisé dans les mises en garde désigne un outil motorisé fonctionnant sur secteur (avec un cordon) ou sur batterie (sans fil).

##### **Sécurité de la zone de travail**

###### **○ Garder la zone de travail propre et bien éclairée.**

◆ Les endroits encombrés ou sombres favorisent la survenue d'accidents.

###### **○ Ne pas utiliser des outils motorisés dans une atmosphère explosible, par exemple en présence de liquides, gaz ou poussières inflammables.**

◆ Les outils motorisés créent des étincelles qui peuvent enflammer des poussières ou des vapeurs.

###### **○ Tenir les enfants et les spectateurs à distance pendant l'utilisation d'un outil motorisé.**

◆ Les distractions peuvent être à l'origine d'une perte de contrôle de l'outil.

##### **Sécurité électrique**

###### **○ La fiche de l'outil motorisé doit correspondre à la prise secteur. Ne jamais modifier la fiche de quelque manière que ce soit. Ne pas utiliser d'adaptateurs avec les outils motorisés reliés à la terre.**

◆ Les fiches non modifiées et les prises secteur correspondantes réduiront le risque de choc électrique.

###### **○ Éviter le contact corporel avec les surfaces reliées à la terre ou à une masse telles que les tuyaux, radiateurs, cuisinières et réfrigérateurs.**

◆ Le contact corporel avec une terre ou une masse représente un risque accru de choc électrique.

###### **○ Ne pas exposer les outils motorisés à la pluie ou à l'humidité.**

◆ L'eau qui pénètre dans un outil motorisé augmentera le risque de choc électrique.

###### **○ Ne pas forcer sur le cordon. Ne jamais utiliser le cordon pour porter, tirer ou débrancher l'outil motorisé. Tenir le cordon à l'écart des sources de chaleur, des huiles, des bords tranchants ou des pièces en mouvement.**

◆ Un cordon endommagé ou emmêlé augmente le risque de choc électrique.

###### **○ Pour faire fonctionner un outil motorisé à l'extérieur, utiliser un cordon prolongateur adapté à cet usage.**

◆ L'utilisation d'un cordon adapté à un usage extérieur réduit le risque de choc électrique.

###### **○ Si un outil motorisé doit absolument être utilisé dans un endroit humide, utiliser une alimentation protégée par un disjoncteur différentiel résiduel (DDR).**

◆ L'utilisation d'un DDR réduit le risque de choc électrique.

##### **Sécurité des personnes**

###### **○ Rester alerte, regarder ce que l'on fait et faire preuve de bon sens lorsque l'on utilise un outil motorisé. Ne pas utiliser un outil motorisé lorsque l'on est fatigué ou sous l'emprise de drogues, de l'alcool ou de médicaments.**

◆ Un moment d'inattention tandis que l'on utilise des outils motorisés peut entraîner un accident corporel grave.

###### **○ Utiliser des équipements de protection individuelle. Toujours porter des lunettes de protection.**

◆ Les équipements de protection tels que masque antipoussières, chaussures de sécurité antidérapantes, casque ou protections auditives utilisés à bon escient réduiront le risque d'accidents corporels.

###### **○ Prévenir tout démarrage accidentel. S'assurer que l'interrupteur est en position d'arrêt avant de raccorder l'appareil à une source d'alimentation ou à un bloc-batterie, de le ramasser ou de le transporter.**

◆ Transporter des outils motorisés en ayant le doigt sur l'interrupteur ou mettre sous tension des outils motorisés dont l'interrupteur est en position de marche favorisera la survenue d'accidents.

###### **○ Retirer toute clé de réglage avant de mettre l'outil motorisé en marche.**

◆ Une clé laissée fixée sur une pièce tournante de l'outil motorisé peut entraîner un accident corporel.

###### **○ Ne pas tenir l'appareil à bout de bras. Veiller à avoir de bons appuis et garder l'équilibre en permanence.**

◆ Ceci permet de mieux maîtriser l'outil motorisé dans des situations inattendues.

###### **○ S'habiller de façon appropriée. Ne pas porter de vêtements amples ni de bijoux. Garder les cheveux, vêtements et gants à distance des pièces en mouvement.**

◆ Les vêtements amples, bijoux ou cheveux longs peuvent se prendre dans les pièces en mouvement.

###### **○ Si des dispositifs sont prévus pour le raccordement d'un système d'extraction et de recueil des poussières, veiller à les raccorder et à bien les utiliser.**

◆ L'utilisation d'un système de dépoussiérage pourra réduire les dangers liés aux poussières.

L'émission de vibrations pendant l'utilisation proprement dite de l'outil motorisé peut être différente de la valeur totale déclarée en fonction des modes d'utilisation de l'appareil ; il est nécessaire de déterminer les mesures de sécurité à prendre pour protéger l'utilisateur sur la base de l'estimation de l'exposition dans les conditions réelles d'utilisation (en prenant en compte toutes les parties du cycle d'utilisation telles que les moments où l'appareil est éteint et les moments où il fonctionne au ralenti en plus du temps d'actionnement de la commande).

# Pour utiliser l'appareil en toute sécurité

## AVERTISSEMENT

### Utilisation et entretien des outils motorisés

- **Ne pas forcer sur les outils motorisés. Utiliser l'outil motorisé adapté au travail à effectuer.**
- ◆ L'outil motorisé adapté fonctionnera mieux et de façon plus sûre au niveau de puissance pour lequel il a été conçu.
- **Ne pas utiliser l'outil motorisé si l'interrupteur ne permet pas de le mettre en marche et de l'arrêter.**
- ◆ Tout outil motorisé impossible à commander à l'aide de l'interrupteur est dangereux et doit être réparé.
- **Débrancher la fiche de la source d'alimentation ou retirer le bloc-batterie de l'outil motorisé avant de procéder à des réglages, de changer d'accessoire ou de remiser l'appareil.**
- ◆ Ces mesures de sécurité préventive réduisent le risque de mise en marche accidentelle des outils motorisés.
- **Remiser les outils motorisés hors de portée des enfants et ne pas autoriser les personnes non familiarisées avec l'outil ou le présent manuel à utiliser l'appareil.**
- ◆ Les outils motorisés sont dangereux entre les mains d'utilisateurs non formés.
- **Entretenir les outils motorisés. Vérifier l'absence de pièces mobiles mal alignées ou bloquées ou encore de pièces cassées. Repérer toute autre situation susceptible d'avoir une incidence sur le fonctionnement de l'outil motorisé. Si un outil motorisé est endommagé, le faire réparer avant de l'utiliser.**
- ◆ De nombreux accidents sont provoqués par des outils motorisés mal entretenus.
- **Garder les outils de coupe tranchants et propres.**
- ◆ Des outils de coupe correctement entretenus avec des arêtes tranchantes sont moins susceptibles de se coincer et sont plus faciles à maîtriser.
- **Utiliser les outils motorisés, accessoires, embouts, etc., conformément à la présente notice, en tenant compte des conditions d'utilisation et du travail à effectuer.**
- ◆ L'utilisation d'un outil motorisé pour des travaux différents de ceux prévus pourrait entraîner une situation dangereuse.

### Utilisation et entretien des outils à batterie

- **Ne recharger les batteries qu'avec le chargeur préconisé par le fabricant.**
- ◆ Un chargeur adapté à un type de bloc-batterie peut créer un risque d'incendie s'il est utilisé avec un autre bloc-batterie.
- **Utiliser les outils motorisés uniquement avec les blocs-batteries spécialement prévus à cet effet.**
- ◆ L'utilisation de tout autre bloc-batterie peut créer un risque d'accident et de départ de feu.
- **Lorsque le bloc-batterie n'est pas utilisé, le tenir à l'écart des autres objets métalliques tels que trombones, pièces de monnaie, clés, clous, vis ou autres petits objets en métal qui pourraient établir une connexion entre les bornes de la batterie.**
- ◆ La mise en court-circuit des bornes de la batterie peut occasionner des brûlures ou un départ de feu.
- **En situation d'utilisation trop intensive, du liquide peut être éjecté de la batterie – éviter tout contact avec ce liquide. En cas de contact accidentel, rincer à l'eau. Si ce liquide atteint les yeux, demander par ailleurs une aide médicale.**
- ◆ Le liquide éjecté de la batterie peut occasionner une irritation ou des brûlures.

### Entretien

- **Faire procéder à l'entretien des outils motorisés par un réparateur qualifié n'utilisant que des pièces de rechange identiques.**
- ◆ Ceci assurera le maintien de la sécurité des outils motorisés.

## Mises en garde de sécurité concernant les taille-haies

## AVERTISSEMENT

- **Tenir toutes les parties du corps à l'écart de la lame. Ne pas retirer la matière coupée ni tenir la matière à couper lorsque les lames sont en mouvement. Veiller à mettre l'interrupteur en position d'arrêt avant d'enlever les matières coincées dans l'outil de coupe.**
- ◆ Un moment d'inattention tandis que l'on utilise le taille-haie peut entraîner un accident corporel grave.
- **Porter le taille-haie par la poignée, lame arrêtée. Avant de transporter ou de ranger le taille-haie, toujours mettre en place l'étui protecteur de lame.**
- ◆ Une manipulation appropriée du taille-haie réduira le risque d'accident corporel provoqué par les lames.
- **Tenir les outils motorisés uniquement au niveau des surfaces de préhension isolantes. La lame pourrait en effet venir en contact avec un câblage masqué.**
- ◆ Une lame qui entre en contact avec un fil sous tension peut mettre « sous tension » les parties métalliques nues de l'outil motorisé et infliger à l'utilisateur un choc électrique.

# Pour utiliser l'appareil en toute sécurité

## Mesures de précaution générales

### AVERTISSEMENT

#### Manuel d'utilisation

- Lire attentivement le manuel d'utilisation avant d'utiliser l'appareil pour la première fois afin d'éviter toute erreur d'utilisation.

◆ Le non-respect de cette mesure de précaution entraîne un risque d'accident ou de blessure grave.



#### Ne pas détourner l'appareil de son utilisation normale

- Utiliser l'appareil uniquement pour les tâches décrites dans ce manuel d'utilisation.

◆ Le non-respect de cette règle de sécurité entraîne un risque d'accident ou de blessure grave.

#### Ne pas modifier l'appareil

- Aucune modification ne doit être apportée à l'appareil.

◆ Le non-respect de cette règle de sécurité entraîne un risque d'accident ou de blessure grave. Tout dysfonctionnement dû à une modification de l'appareil n'est pas couvert par la garantie du fabricant.

#### Ne pas utiliser l'appareil avant d'avoir effectué les opérations de vérification et d'entretien nécessaires

- Il ne faut pas utiliser l'appareil avant d'avoir effectué les opérations de vérification et d'entretien nécessaires. Veiller à ce que l'appareil soit vérifié et entretenu régulièrement.

◆ Le non-respect de cette règle de sécurité entraîne un risque d'accident ou de blessure grave.

#### Prêt ou cession de l'appareil à un tiers

- Si l'appareil est prêté à un tiers, veiller à lui confier également le manuel d'utilisation fourni avec l'appareil.

- Si l'appareil est cédé à un tiers, transmettre le manuel d'utilisation fourni avec l'appareil lors de la vente.

◆ Le non-respect de cette règle de sécurité entraîne un risque d'accident ou de blessure grave.

#### Savoir réagir en cas de blessure

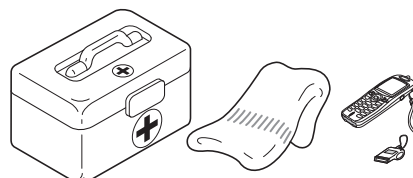
Même si les cas de blessure ou d'accident restent exceptionnels, l'utilisateur doit savoir réagir à ces situations.

- Kit de premiers secours

- Serviettes et lingettes (pour arrêter les saignements)

- Sifflet ou téléphone portable (pour appeler de l'aide)

◆ Si l'utilisateur n'est pas capable de prodiguer les premiers soins ou d'appeler à l'aide, la blessure peut s'aggraver.



## Précautions d'utilisation

### DANGER

#### Mise en marche de l'appareil

- Ne jamais essayer de démarrer l'appareil en se tenant du côté de la lame.

◆ La mise en mouvement soudaine des lames peut entraîner des blessures.

#### Ne pas retirer la rallonge arrondie.

- Ne pas utiliser l'appareil sans la rallonge arrondie. Si celle-ci doit être retirée à des fins de maintenance, consulter un revendeur.

◆ Le non-respect des règles de sécurité peut entraîner un accident grave.

#### Toujours arrêter l'appareil en cas de blocage des lames.

- Ne pas essayer de retirer l'objet à l'origine du blocage des lames si l'appareil fonctionne.

◆ Le mouvement des lames lors du retrait de l'objet à l'origine du blocage peut entraîner des blessures.

# Pour utiliser l'appareil en toute sécurité

## AVERTISSEMENT

### Utilisateurs de l'appareil

L'appareil ne doit pas être utilisé si :

- l'utilisateur est fatigué
- l'utilisateur a consommé de l'alcool
- l'utilisateur prend des médicaments
- la personne qui souhaite utiliser l'appareil est enceinte
- l'utilisateur est en mauvaise condition physique
- l'utilisateur n'a pas lu le manuel d'utilisation
- la personne qui souhaite utiliser l'appareil est un enfant
- ◆ Le non-respect de ces règles de sécurité constitue un risque d'accident.
- Les composants de cette machine produisent en fonctionnement un champ électromagnétique susceptible d'interférer avec certains stimulateurs cardiaques. Pour réduire les risques pour la santé, nous recommandons aux porteurs d'un stimulateur cardiaque de consulter leur médecin et le fabricant du stimulateur avant d'utiliser cet appareil.



### Environnement d'utilisation et fonctionnement de l'appareil

- Ne pas utiliser l'appareil sur une surface instable, comme un terrain en pente raide ou détrempé. Ces types de terrain sont glissants et donc dangereux.
- ◆ Toute chute, glissade ou utilisation incorrecte de l'appareil constitue un risque de blessures graves pour l'utilisateur.

### Transport de l'appareil

- Avant de transporter l'appareil dans les situations décrites ci-après, l'éteindre et s'assurer que les lames se sont immobilisées, puis mettre en place l'étui protecteur de lame. Ne pas transporter l'appareil lorsque la DEL du témoin d'alimentation est allumée.
- Se déplacer vers le lieu de travail
  - Se déplacer vers un autre endroit tout en travaillant
  - Quitter le lieu de travail
  - ◆ Le non-respect de ces mesures de précaution peut entraîner un risque de blessure grave.
  - Pour transporter l'appareil dans une voiture, mettre en place l'étui protecteur de lame et s'assurer que l'appareil est bien calé pour éviter qu'il se déplace lors du trajet.

### Exposition aux vibrations et au froid

Les personnes exposées aux vibrations et au froid peuvent être victimes du phénomène de Raynaud, une affection qui touche les doigts. L'exposition à des vibrations et au froid peut provoquer une sensation de picotement et de brûlure, suivie d'une décoloration et d'un engourdissement des doigts.

Il est vivement recommandé de respecter les mesures de précaution suivantes car le seuil d'exposition minimum pouvant provoquer l'apparition de ce phénomène reste inconnu à ce jour.

- Limiter la perte de chaleur corporelle, en protégeant en priorité la tête, le cou, les pieds, les chevilles, les mains et les poignets.
- Maintenir une bonne circulation sanguine en effectuant de vigoureux exercices des bras pendant de fréquentes pauses.
- Limiter le nombre d'heures d'utilisation. Essayer d'intégrer à l'emploi du temps de la journée des tâches ne nécessitant pas l'utilisation du taille-haie ou d'une autre machine portable.
- En cas d'inconfort, de rougeur et de gonflement au niveau des doigts, suivis d'un blanchissement et d'une perte de sensibilité, consulter un médecin avant de s'exposer à nouveau au froid et aux vibrations.
- ◆ Le non-respect de ces instructions peut être dangereux pour la santé.

### Lésions attribuables au travail répétitif

Une trop grande sollicitation des muscles et des tendons des doigts, des mains, des bras et des épaules peut entraîner l'apparition d'inflammations, de gonflements, d'engourdissements, d'une sensation de faiblesse ou d'une douleur aiguë dans ces parties du corps. L'apparition de lésions attribuables au travail répétitif (LATR) est très fréquente chez les personnes pratiquant certaines activités manuelles répétitives.

Pour réduire le risque d'apparition de LATR, respecter les mesures de précaution suivantes :

- Éviter de plier, d'étirer ou de tordre le poignet pendant le travail.
- Faire des pauses régulières pour réduire l'effet répétitif et pour reposer ses mains. Effectuer le mouvement répétitif plus lentement et en faisant moins d'effort.
- Faire des exercices de musculation des mains et des bras.
- En cas de picotements, d'engourdissement ou de douleur dans les doigts, les mains, les poignets ou les bras, consulter un médecin. Plus les LATR sont diagnostiquées précocement, plus les chances d'empêcher les lésions nerveuses et musculaires irréversibles sont grandes.
- ◆ Le non-respect de ces instructions peut être dangereux pour la santé.

# Pour utiliser l'appareil en toute sécurité

## AVERTISSEMENT

### Mise en marche de l'appareil

Veiller à bien respecter les mesures de précaution suivantes lors de la mise en marche de l'appareil :

- Toujours vérifier que toutes les poignées et protections sont fixées.
- Vérifier que tous les écrous et toutes les vis sont bien serrés.
- Vérifier que les lames ne sont pas endommagées ni excessivement usées. Si des anomalies sont constatées, ne pas utiliser l'appareil.
- Placer l'appareil sur une surface plane et dans un endroit bien aéré.
- Établir un périmètre de sécurité autour de l'appareil et s'assurer que personne ni aucun animal ne se trouve à proximité.
- Retirer tout obstacle éventuel.
- Vérifier que les lames ne touchent pas le sol ou tout autre obstacle.
- ◆ Le non-respect de ces mesures de précaution constitue un risque d'accident et de blessures graves voire mortelles.

### Dès que l'appareil est en marche, vérifier l'absence de vibrations et de sons anormaux.

- Au démarrage de l'appareil, vérifier l'absence de vibrations et de sons anormaux. Ne pas utiliser l'appareil en cas de vibrations ou de sons anormaux. S'adresser à un revendeur pour faire effectuer les réparations nécessaires.
- ◆ La chute ou la rupture accidentelle de pièces constitue un risque de blessures graves.

### Ne pas toucher les composants sous haute tension ou à haute température lorsque l'appareil fonctionne.

Ne pas toucher les composants sous haute tension ou à haute température suivants lors du fonctionnement de l'appareil et pendant la phase qui suit l'arrêt de l'appareil.

#### ○ Composants à haute température

- ◆ Il existe un risque de brûlure en cas de contact avec un composant à haute température.



#### ○ Composants sous haute tension

- ◆ Il existe un risque de choc électrique en cas de contact avec un composant sous haute tension pendant le fonctionnement de l'appareil.



### Arrêter l'appareil avant de procéder à des vérifications ou à l'entretien de celui-ci.

Respecter les mesures de précaution suivantes lors de la vérification et de l'entretien de l'appareil après utilisation :

- Arrêter l'appareil et attendre qu'il refroidisse avant de procéder à des vérifications ou à l'entretien de celui-ci.
- ◆ Il existe un risque de brûlure.



# Pour utiliser l'appareil en toute sécurité

## **⚠ AVERTISSEMENT**

### **Retirer tous les corps étrangers et toutes les sources de blocage de l'appareil avant de l'utiliser.**

- Inspecter la zone dans laquelle l'appareil doit être utilisé. Retirer les pierres, objets métalliques et tout autre objet susceptible de bloquer ou d'endommager l'appareil.
- ◆ La projection de corps étrangers par l'outil de coupe peut entraîner un accident ou des blessures graves.

### **Arrêter immédiatement l'appareil en cas d'anomalie.**

Arrêter immédiatement l'appareil et attendre que l'outil de coupe soit complètement arrêté avant de vérifier les différents composants. Remplacer toute pièce endommagée.

- Si l'outil de coupe heurte une pierre, un arbre, un poteau ou tout autre obstacle au cours de son utilisation.
- Si l'appareil se met à vibrer soudainement de façon anormale.
- ◆ L'utilisation prolongée de pièces endommagées entraîne un risque d'accident ou de blessure grave.

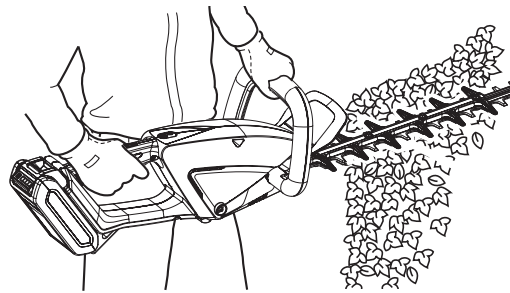
### **La zone comprise dans un rayon de 10 mètres autour de l'appareil est une zone dangereuse.**

La zone comprise dans un rayon de 10 mètres autour de l'appareil est une zone dangereuse. Veiller à bien respecter les mesures de précaution suivantes lors de l'utilisation de l'appareil.

- Si quelqu'un pénètre dans la zone dangereuse, éteindre l'appareil pour arrêter les lames.
- Lorsqu'une personne s'approche de l'utilisateur, elle doit lui signaler sa présence en lançant par exemple des brindilles, sans entrer dans la zone dangereuse. Elle doit ensuite vérifier que l'appareil a été arrêté et que les lames se sont immobilisées.
- Ne laisser personne tenir le matériau en train d'être coupé.
- ◆ Tout contact avec les lames risque de causer des blessures graves.

### **Ne pas utiliser l'appareil d'une seule main.**

- Garder les deux mains sur les poignées tant que l'appareil est en marche. Ne jamais faire fonctionner l'appareil d'une seule main.
- Maintenir fermement le taille-haie à deux mains, une main sur la poignée avant et l'autre sur la poignée arrière.
- Enerrer fermement les poignées entre le pouce et les doigts.
- Ne jamais retirer les mains de l'appareil lorsque les lames sont en mouvement.
- ◆ Le non-respect de ces instructions entraînerait une mauvaise prise en main de l'appareil et risquerait de causer des blessures graves.



### **Vérifier que les lames ne tournent pas avant de poser l'appareil au sol.**

- Lorsque l'on arrête l'appareil, vérifier que les lames se sont immobilisées avant de poser l'appareil au sol.
- ◆ Même si l'appareil a été mis à l'arrêt, la libre rotation des lames peut entraîner un risque de blessure.

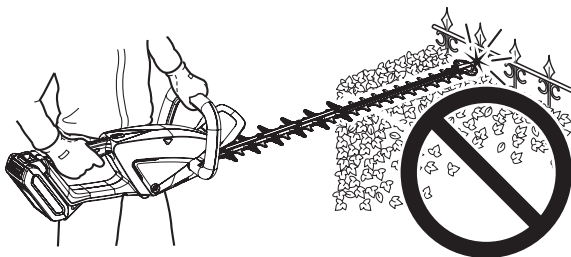


# Pour utiliser l'appareil en toute sécurité

## **⚠ AVERTISSEMENT**

### **Ne pas utiliser l'appareil pour découper des objets durs.**

- Ne pas utiliser l'appareil pour découper des objets durs tels que des câbles ou des plaques d'acier.
- Si les lames heurtent un obstacle ou si elles ne fonctionnent pas correctement, arrêter l'appareil et vérifier que les lames ne sont pas endommagées.
- ◆ Le non-respect de ces instructions risque d'endommager l'appareil ou de causer un accident.



### **Ne jamais utiliser l'appareil sur une échelle ou un tabouret.**

- Ne pas tenir l'appareil à bout de bras et ne pas se tenir sur des surfaces instables.
- Ne pas utiliser l'appareil en haut d'une échelle ou en se tenant debout sur un tabouret.
- ◆ Le non-respect de cette règle de sécurité entraîne un risque d'accident ou de blessure grave.

## Équipement de protection

## **⚠ AVERTISSEMENT**

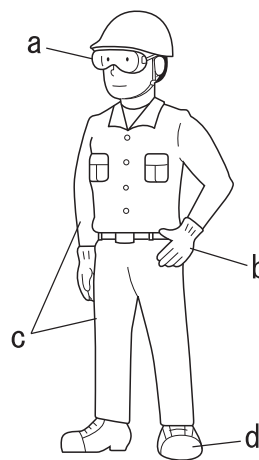
### **Port d'équipements de protection**

Toujours porter les équipements de protection suivants lorsque l'on utilise un taille-haie.

- a Lunettes de sécurité : protègent les yeux.
- b Gants de sécurité : protègent les mains contre le froid et les vibrations.
- c Vêtements bien ajustés (manches longues, pantalons longs) : protègent le corps.
- d Chaussures ou bottes robustes : protègent les pieds.
- ◆ Le non-respect de ces mesures de précaution peut entraîner une dégradation de la vue ou de l'ouïe de l'utilisateur, ainsi qu'un risque de blessure grave.

Si nécessaire, utiliser les équipements de protection ci-dessous.

- Protection de la tête (casque) : protège la tête.
- Casque de protection anti-bruit ou protecteurs d'oreilles : protection auditive.
- Masque antipoussières : protection respiratoire.
- Voilette de protection : protection contre les insectes.



### **Port de vêtements adaptés**

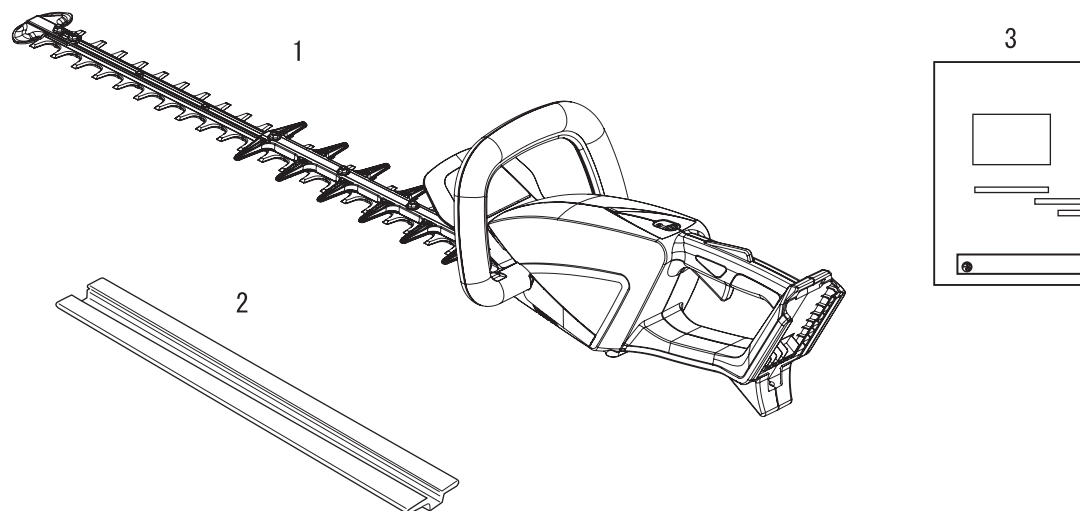
Ne pas porter de cravates, bijoux ou vêtements amples qui pourraient se prendre dans l'appareil. Ne pas porter de chaussures ouvertes, ne pas travailler pieds nus ou jambes nues.

- ◆ Le non-respect de ces mesures de précaution peut entraîner un accident ou un risque de blessure grave.

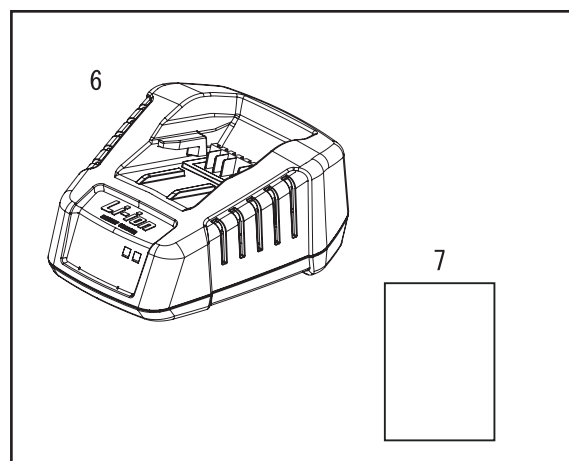
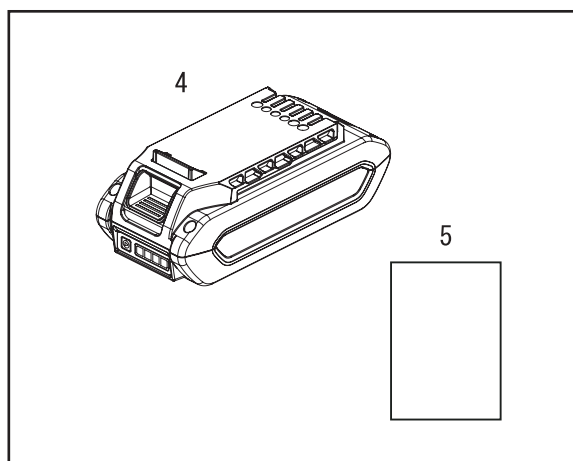


# Contenu de l'emballage

- ♦ Les pièces suivantes sont conditionnées séparément dans le carton d'emballage.
- ♦ Lors de l'ouverture du carton, passer en revue les pièces qu'il contient.
- ♦ S'adresser au revendeur si une pièce est manquante ou endommagée.

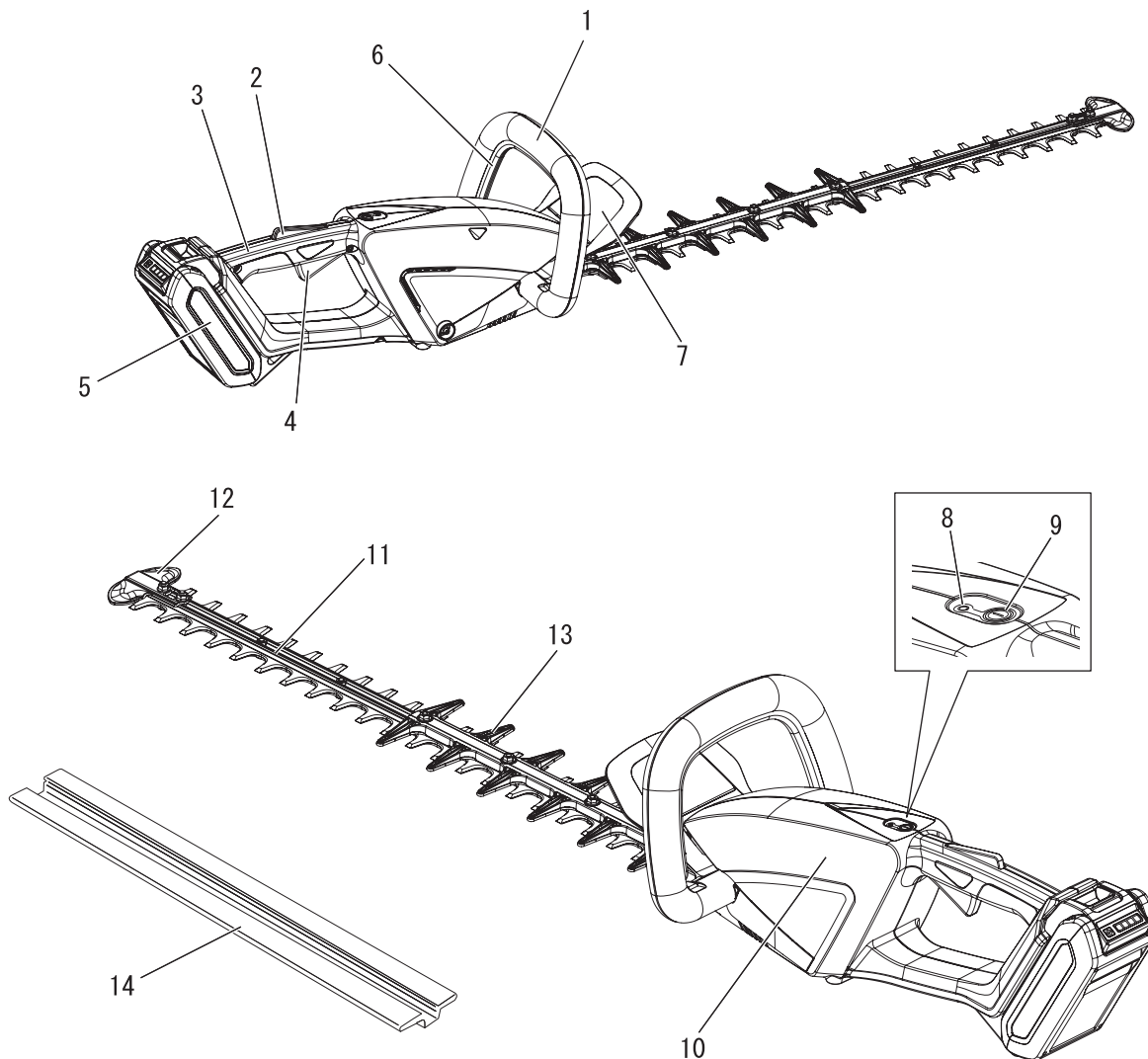


Numéro	Désignation	Quantité
(1)	Taille-haie	1
(2)	Étui protecteur de lame	1
(3)	Manuel d'utilisation	1



Numéro	Désignation	Quantité
(4)	Bloc-piles	1
(5)	Manuel d'utilisation	1
(6)	Chargeur	1
(7)	Manuel d'utilisation	1

# Description



1. **Poignée avant** Poignée située sur l'outil de coupe.
2. **Blocage de l'interrupteur à poussoir** Bloque l'interrupteur à poussoir en position d'arrêt jusqu'à ce que l'utilisateur puisse positionner correctement sa main droite sur la poignée.
3. **Poignée arrière** Poignée la plus éloignée de l'outil de coupe.
4. **Interrupteur à poussoir** Activé par le doigt de l'utilisateur pour mettre le moteur en marche.
5. **Bloc-batterie**
6. **Interrupteur de verrouillage** Arrête le taille-haie dès que l'utilisateur relâche la poignée avant.
7. **Protection** Protection située entre la poignée avant et l'outil de coupe destinée à protéger la main des blessures si celle-ci glisse de la poignée.
8. **DEL du témoin d'alimentation** Reste allumée lorsque l'appareil est sous tension. S'éteint lorsque l'appareil est mis hors tension.
9. **Bouton d'alimentation** Un appui bref permet de mettre l'appareil sous tension, la DEL du témoin d'alimentation s'allume. Un nouvel appui met l'appareil hors tension, la DEL du témoin d'alimentation s'éteint.
10. **Moteur**
11. **Outil de coupe** Pièce de l'ensemble lame-plaque de cisaillement ainsi que toute autre pièce associée, qui effectue l'action de coupe.
12. **Protège-pointe de lame** Protège la lame de l'usure et des dégâts en cas de choc contre un mur ou en cas de pénétration dans la terre, ce qui contribue à protéger la durée de vie des lames.
13. **Rallonge arrondie** Pièce d'extension arrondie de l'outil de coupe.
14. **Étui protecteur de lame** Toujours placer l'étui protecteur sur la lame lors du transport ou du remisage de l'appareil.

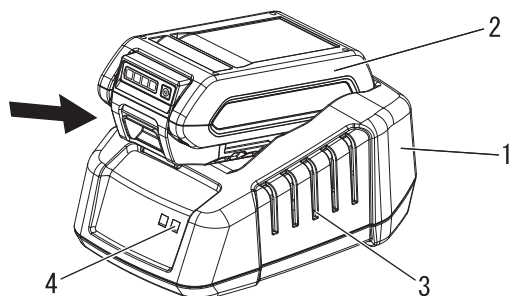
## Assemblage Charge de la batterie

### **⚠ AVERTISSEMENT**

- Toujours utiliser le bloc-batterie LBP-560-100/LBP-560-200 et le charger uniquement avec le chargeur LCJQ-560.
- Garder le chargeur et la batterie à l'abri de l'humidité et de tous les liquides.
- Ne pas utiliser le chargeur sur une surface facilement inflammable (telle que du papier ou du textile) ou dans environnement présentant un risque d'incendie élevé.
- Ne pas couvrir le chargeur. Couvrir le chargeur l'empêcherait de se refroidir.
- Ne pas utiliser le chargeur dans une atmosphère explosible, par exemple en présence de liquides, gaz ou poussières inflammables. Les chargeurs peuvent produire des étincelles qui peuvent enflammer des poussières ou des vapeurs – il existe un risque d'explosion.
- Brancher le chargeur uniquement sur une alimentation correspondant à la tension et à la fréquence spécifiées sur la plaque signalétique.
- Brancher le chargeur uniquement sur une prise murale aisément accessible.
- Ne jamais insérer d'objet dans les événements de refroidissement du bloc-batterie ou du chargeur.
- Ne pas charger ni utiliser un bloc-batterie et un chargeur défectueux, endommagés ou déformés.
- Ne pas ouvrir, endommager ou faire tomber le bloc-batterie ou le chargeur.
- Une batterie endommagée ou mal utilisée risque de fuir ; éviter tout contact avec la peau. En cas de contact accidentel, laver abondamment à l'eau et au savon les parties touchées. Si du liquide pénètre dans l'œil, ne pas frotter. Rincer abondamment les yeux à l'eau pendant au moins 15 minutes. Consulter également un médecin.
- Ne jamais ponter (court-circuiter) les contacts du bloc-batterie ou les bornes du chargeur avec des objets métalliques.
- Protéger d'une exposition directe au soleil, à la chaleur et à toute flamme nue et ne jamais jeter la batterie au feu ; il existe un risque d'explosion.
- Si de la fumée ou des flammes se dégagent du chargeur, débrancher immédiatement celui-ci de la prise murale.
- Si le cordon d'alimentation est endommagé, débrancher immédiatement la fiche de l'alimentation électrique pour éviter tout risque de choc électrique.
- Ne pas exposer le bloc-batterie à des ondes d'hyperfréquence ou à une pression élevée.
- Prendre les mesures requises pour empêcher un démarrage intempestif de l'appareil. Retirer le bloc-batterie de l'appareil avant de transporter ou de ranger celui-ci. Ne pas utiliser un récipient en métal pour transporter les batteries.
- Pour réduire le risque de trébuchement, positionner et signaler le cordon d'alimentation de telle manière qu'il ne puisse pas être endommagé et de façon à ce qu'il ne constitue un danger pour personne.

### **REMARQUE**

- La batterie est partiellement chargée lorsqu'elle quitte l'usine ; il convient de la charger entièrement avant la première utilisation.
- Charger la batterie lorsqu'elle ne produit plus suffisamment de courant pour faire fonctionner l'appareil ou lorsque les voyants indiquent qu'elle est déchargée.



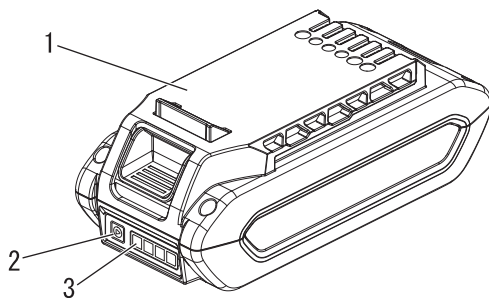
1. Chargeur
2. Batterie
3. Fentes de refroidissement
4. DEL du chargeur

1. Brancher le cordon secteur du chargeur dans la prise murale.
2. Aligner les nervures de la batterie sur les rainures du chargeur et faire coulisser la batterie dans le chargeur.
3. Durant la charge normale, la DEL du chargeur clignote en continu en VERT.

### **IMPORTANT**

- Si le chargeur détecte un problème, la DEL clignote en ROUGE. Retirer la batterie du chargeur, nettoyer les contacts et réinstaller la batterie dans le chargeur. Si la batterie n'est pas dans la plage de température acceptable (de 0 à 60 °C), la DEL reste allumée en ROUGE.

# Avant de commencer



1. Batterie  
2. Bouton d'état de charge de la batterie  
3. Affichage à DEL

- Lorsque la charge est terminée, la DEL reste allumée en VERT.
  - \* Un bloc-batterie complètement déchargé se chargera en 42 minutes environ. (LBP-560-100)
  - \* Un bloc-batterie complètement déchargé se chargera en 88 minutes environ. (LBP-560-200)
- Vérifier que la batterie est entièrement chargée en la retirant du chargeur et appuyant sur le bouton d'état de charge de la batterie. Vérifier les indications données par les DEL.
  - ♦ Un voyant vert indique que la batterie est chargée entre 0 et 25 %.
  - ♦ Deux voyants verts indiquent que la batterie est chargée entre 25 et 50 %.
  - ♦ Trois voyants verts indiquent que la batterie est chargée entre 50 et 75 %.
  - ♦ Quatre voyants verts indiquent que la batterie est chargée entre 75 et 100 %.
- Débrancher le chargeur de batteries de l'alimentation électrique.

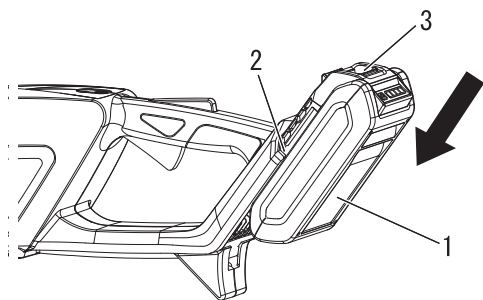
## Pose et retrait de la batterie

### AVERTISSEMENT

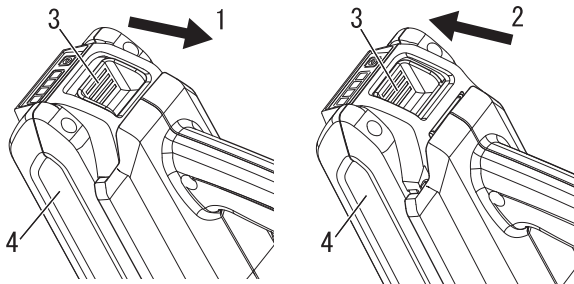
- Le taille-haie fonctionne lorsque la batterie est installée, la DEL du témoin d'alimentation allumée et l'interrupteur à poussoir, le blocage de l'interrupteur à poussoir et l'interrupteur de verrouillage engagés. Veiller à positionner le taille-haie correctement pour éviter toute perte de contrôle et un éventuel accident grave. Tenir les pièces mobiles du taille-haie au-dessus du sol et à distance des objets susceptibles d'être happés.

### REMARQUE

- ♦ La batterie est partiellement chargée lorsqu'elle quitte l'usine ; il convient de la charger entièrement avant la première utilisation.



1. Batterie  
2. Nervure  
3. Verrou du bloc-batterie



1. Position fermée  
2. Position non fermée  
3. Verrou du bloc-batterie  
4. Bloc-batterie

### Pose de la batterie

- S'assurer que l'appareil est hors tension.
- Aligner les nervures de la batterie sur les rainures du taille-haie et insérer la batterie jusqu'à ce que le verrou du bloc-batterie soit en position fermée.

### IMPORTANT

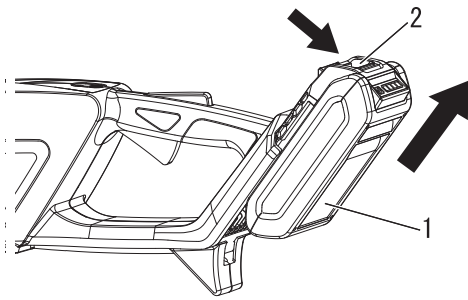
Avant d'utiliser le taille-haie, s'assurer que la batterie est correctement mise en place et le verrou du bloc-batterie en position fermée.

### REMARQUE

- ♦ Le verrou du bloc-batterie est en position fermée lorsqu'il est correctement engagé.

# Avant de commencer

---



1. Batterie

2. Verrou du bloc-batterie

## Retrait de la batterie

1. Pour retirer la batterie, enfoncez le verrou du bloc-batterie et extrayez la batterie du taille-haie.

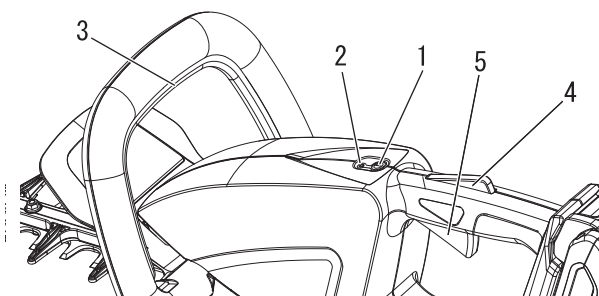
# Fonctionnement

## Mise en marche de l'appareil

### AVERTISSEMENT

○ Lors de la mise en marche de l'appareil, respecter les précautions décrites à la page 4 au chapitre « Pour utiliser l'appareil en toute sécurité » pour faire en sorte d'utiliser l'appareil correctement.

◆ Le non-respect de ces mesures de précaution constitue un risque d'accident et de blessures graves voire mortelles.



1. Bouton d'alimentation
2. DEL du témoin d'alimentation
3. Interrupteur de verrouillage
4. Blocage de l'interrupteur à poussoir
5. Interrupteur à poussoir

1. Retirer l'étui protecteur de lame.
2. Appuyer brièvement sur le bouton d'alimentation pour mettre l'appareil sous tension.

### REMARQUE

◆ La DEL du témoin d'alimentation s'allume lorsque l'appareil est sous tension.

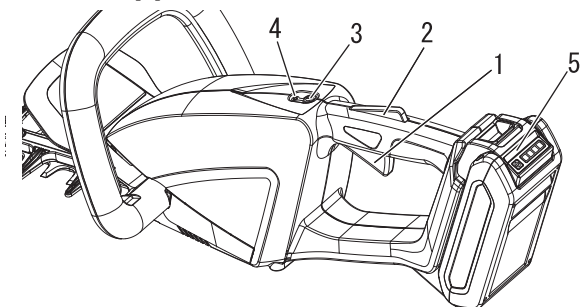
3. Tenir le taille-haie par les deux poignées. Il est nécessaire d'engager l'interrupteur de verrouillage sur la poignée avant pour pouvoir démarrer le taille-haie ou le maintenir en fonctionnement.
4. Enfoncer le blocage de l'interrupteur à poussoir et appuyer sur l'interrupteur à poussoir augmenter la vitesse de la lame.

### IMPORTANT

Lorsque l'appareil est sous tension :

- ◆ Au bout d'une minute d'inactivité, il s'éteint tout seul.
- ◆ Si la DEL reste allumée, l'appareil fonctionne normalement.
- ◆ Si la DEL clignote une fois par seconde, la batterie doit être chargée.
- ◆ Si la DEL clignote quatre fois par seconde, l'appareil présente un défaut. Mettre l'appareil hors tension. Retirer la batterie. Enlever les débris autour des lames. Installer la batterie. Mettre l'appareil sous tension. Si le clignotement persiste, demander à un technicien agréé de réparer l'appareil.

## Arrêt de l'appareil



1. Interrupteur à poussoir
2. Blocage de l'interrupteur à poussoir
3. Bouton d'alimentation
4. DEL du témoin d'alimentation
5. Batterie

1. Relâcher l'interrupteur à poussoir et le blocage de l'interrupteur à poussoir et laisser les lames s'arrêter.
2. Appuyer sur le bouton d'alimentation pour mettre l'appareil hors tension.

### REMARQUE

◆ La DEL du témoin d'alimentation s'éteint lorsque l'appareil est hors tension.

\* Si le bouton d'alimentation ne permet pas d'arrêter le taille-haie, retirer la batterie pour couper l'alimentation de l'appareil. Demander à un technicien agréé ECHO de réparer le bouton d'alimentation avant d'utiliser à nouveau le taille-haie. Si les lames ne s'immobilisent pas lorsque l'on relâche l'interrupteur à poussoir, le blocage de l'interrupteur à poussoir et l'interrupteur de verrouillage, retirer la batterie pour couper l'alimentation du taille-haie. Demander à un technicien agréé ECHO de réparer l'appareil avant de l'utiliser à nouveau.

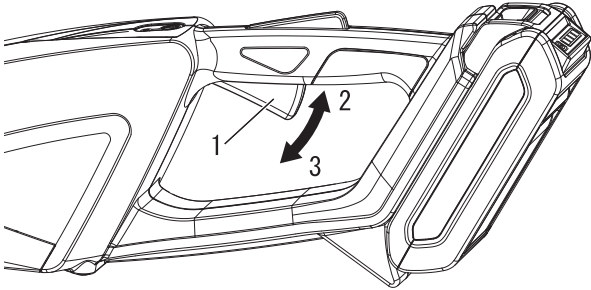


# Taille de haies et d'arbustes

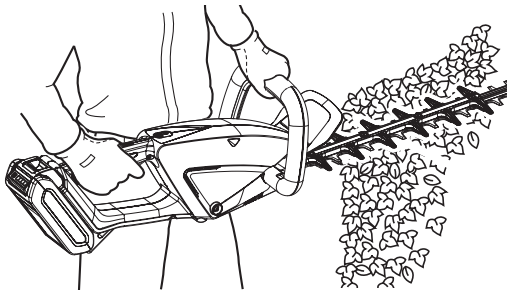
## Taille de haie de base

### REMARQUE

- ♦ Cet appareil a été conçu pour couper des arbustes et des haies ayant des branches ne dépassant pas 6 mm de diamètre.



1. Interrupteur à poussoir    3. Arrêt  
2. Régime élevé



- ♦ Un appui sur l'interrupteur à poussoir aura pour effet de mettre en mouvement les lames. Régler la vitesse de fonctionnement en fonction de la quantité de haies à couper, par exemple.

- ♦ Effectuer les travaux de coupe en éloignant les lames de soi. Ne pas orienter les lames vers soi et ne pas les rapprocher de soi.
- ♦ Pour couper le dessus des haies ou des arbustes, déplacer les lames latéralement. La taille de précision est possible en déplaçant les lames légèrement vers le bas.
- ♦ La coupe des côtés est réalisée en déplaçant les lames du bas vers le haut pour une taille de précision.
- ♦ Ne pas exercer de pression avec les lames sur des objets tels que des arbres. Manipuler l'appareil en fonction du mouvement et de la vitesse des lames.

# Entretien

## Instructions d'entretien de l'appareil

Pièce	Entretien	Page	Avant utilisation	Tous les mois
Batterie	Contrôler/nettoyer/charger	15	•	
Carter d'engrenage	Lubrifier	21	• (15-20 h)	
Lames	Contrôler/nettoyer/lubrifier	20	•	
Vis, boulons et écrous	Contrôler/serrer/remplacer	-	•	

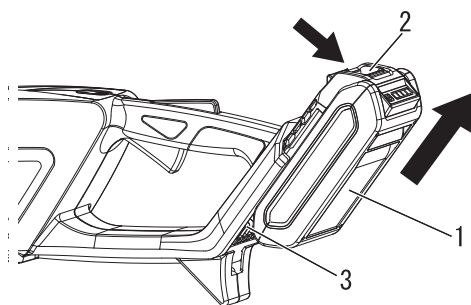
## IMPORTANT

Les intervalles indiqués sont un maximum. La fréquence des opérations d'entretien varie en fonction de l'utilisation réelle de l'appareil et de l'expérience de l'utilisateur. Noter les dates des inspections mensuelles et annuelles.

## Entretien

En cas de questions ou de problèmes, contacter un revendeur.

### Nettoyage de la batterie et de son logement



- 1. Batterie
- 2. Verrou du bloc-batterie
- 3. Logement de la batterie

## AVERTISSEMENT

○ Risque de choc électrique ou d'incendie. Ne pas utiliser de matériaux conducteurs pour nettoyer la batterie ou son logement.

1. Relâcher l'interrupteur à poussoir et le blocage de l'interrupteur à poussoir et laisser le taille-haie s'arrêter.
2. S'assurer que la DEL du témoin d'alimentation n'est pas allumée.
3. Appuyer sur le verrou du bloc-batterie et faire glisser le bloc-batterie hors de l'appareil.
4. Utiliser de l'air comprimé ou une brosse à poils souples pour enlever les débris de la batterie et de son logement.

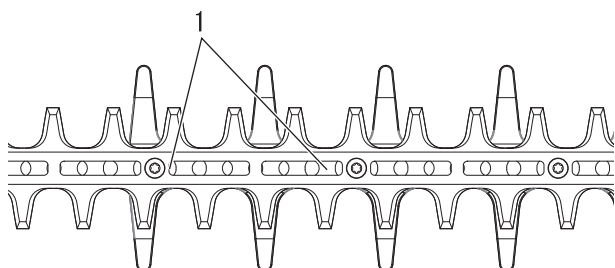
### Entretien des lames de coupe

## ATTENTION

- Porter des gants pour protéger les mains des lames affûtées.
- ◆ Le non-respect de ces mesures de précaution entraîne un risque de blessure.

### Lubrification des lames (toutes les 4 heures de fonctionnement)

Appliquer quelques gouttes d'huile dans chaque fente de boulon au-dessous des lames.



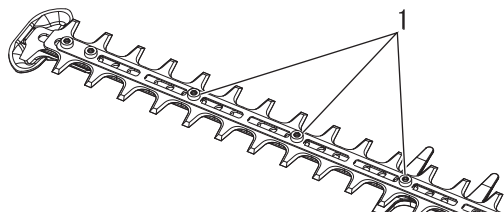
- 1. Fentes de boulons

## Nettoyage des lames (après chaque utilisation)

Éliminer les résidus poisseux présents sur les lames à l'aide d'un mélange de 50 % de kérosène (paraffine) et de 50 % d'huile pour machine.

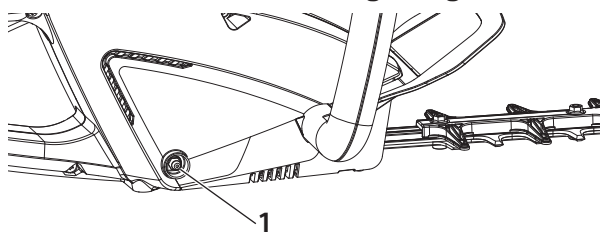
## Réglage de la lame

Les lames standard n'ont pas besoin de réglages réguliers. Veiller à ce que les boulons à épaulement des lames soient serrés et en bon état.



1. Boulon à épaulement

## Lubrification du carter d'engrenage



1. Graisseur

### Outils nécessaires :

pistolet graisseur, chiffon.

### Pièces nécessaires :

graisse au lithium.

1. Nettoyer les impuretés présentes sur le graisseur.
2. Maintenir fermement l'appareil et pomper soigneusement l'huile présente dans le graisseur. Ne pas forcer le passage de la graisse. Une pression excessive entraîne le passage forcé de la graisse au-delà des joints et cause des dommages. **Appliquer 1 ou 2 mesure(s) de graisse toutes les 15 -20 heures de fonctionnement.**

## REMARQUE

Utiliser une graisse multi-usage au lithium de bonne qualité.

# Entretien

## Guide de dépannage

Problème	Cause	Solution
Voyant rouge du chargeur clignotant ou ne s'allumant pas	<ul style="list-style-type: none"><li>♦ Fiche non branchée dans la prise d'alimentation</li><li>♦ Bloc-batterie mal installé</li><li>♦ Connexion obstruée</li><li>♦ Défaut du chargeur</li><li>♦ Défaut du bloc-batterie</li></ul>	<ul style="list-style-type: none"><li>♦ Brancher le chargeur</li><li>♦ Contrôler la pose du bloc-batterie</li><li>♦ Réinstaller le bloc-batterie après avoir éliminé ce qui empêche la connexion</li><li>♦ Consulter un revendeur ECHO</li><li>♦ Consulter un revendeur ECHO</li></ul>
L'appareil ne se met pas en marche	<ul style="list-style-type: none"><li>♦ Bloc-batterie mal installé</li></ul>	<ul style="list-style-type: none"><li>♦ Contrôler la pose du bloc-batterie</li></ul>
L'appareil ne fonctionne pas lorsqu'il est mis en marche	<ul style="list-style-type: none"><li>♦ Bloc-batterie déchargé</li><li>♦ Lames obstruées</li><li>♦ Bloc-batterie hors de la plage de température acceptable</li><li>♦ Lames grippées</li></ul>	<ul style="list-style-type: none"><li>♦ Charger le bloc-batterie</li><li>♦ Éteindre l'appareil, retirer la batterie et nettoyer les lames</li><li>♦ Retirer le bloc-batterie et le laisser refroidir</li><li>♦ Enlever à la brosse les débris bloquant les lames et lubrifier</li></ul>
Le temps d'utilisation est trop court	<ul style="list-style-type: none"><li>♦ Bloc-batterie hors de la plage de température acceptable</li><li>♦ Module électronique de l'appareil trop chaud</li><li>♦ Bloc-batterie déchargé</li><li>♦ Lames endommagées</li></ul>	<ul style="list-style-type: none"><li>♦ Retirer le bloc-batterie et le laisser refroidir</li><li>♦ Éteindre l'appareil et laisser refroidir</li><li>♦ Charger le bloc-batterie</li><li>♦ Consulter un revendeur ECHO</li></ul>
Appareil vibrant de façon excessive	<ul style="list-style-type: none"><li>♦ Défaut des pièces internes</li></ul>	<ul style="list-style-type: none"><li>♦ Consulter un revendeur ECHO</li></ul>

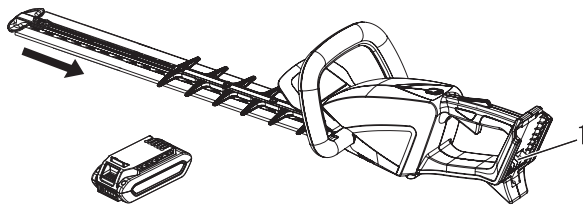
- ♦ La vérification et l'entretien de l'appareil nécessitent des connaissances spécialisées. Si l'utilisateur ne possède pas les compétences requises pour effectuer les opérations de vérification et d'entretien de l'appareil ou pour remédier à un dysfonctionnement, il doit consulter un revendeur. Ne pas essayer de démonter l'appareil.
- ♦ En cas de problème différent de ceux décrits dans le tableau ci-dessus, consulter un revendeur.
- ♦ En ce qui concerne les pièces de rechange et les consommables, utiliser uniquement des pièces d'origine et les produits et composants recommandés. L'utilisation de pièces d'autres marques ou de composants inappropriés peut entraîner un dysfonctionnement de l'appareil.

## Remisage

### **⚠ AVERTISSEMENT**

**Ne pas remisage dans une enceinte où une accumulation de vapeurs inflammables est susceptible de se produire.**  
Il existe un risque d'incendie.

Si l'appareil doit être remisage pendant une longue période, respecter les instructions de remisage suivantes.



1. Logement de la batterie

### **Taille-haie**

Ne pas remisage l'appareil sans avoir préalablement effectué les opérations d'entretien préventives spécifiques au remisage, qui comprennent les mesures suivantes :

1. Mettre l'appareil hors tension.
2. Retirer la batterie du taille-haie.
3. Éliminer la saleté et les débris accumulés à l'extérieur de l'appareil.
4. Serrer l'ensemble des vis et écrous.
5. Remettre en place l'étui protecteur de lame.
6. Fermer le logement de la batterie sur le taille-haie.
7. Remisage l'appareil dans un endroit sec, non poussiéreux et hors de portée des enfants.

### **Batterie**

1. Retirer la batterie du taille-haie.
2. Remisage dans un endroit sec, non poussiéreux et hors de portée des enfants.
3. Remisage à une température comprise entre -20 (-4 °F) et 60 °C (140 °F).
4. Si la batterie est remisage pendant plus d'un an, il convient de la charger à environ 40 à 60 % de sa capacité.

### **Chargeur de batteries**

1. Retirer la batterie du chargeur de batteries.
2. Débrancher le chargeur de batteries de l'alimentation électrique.
3. Remisage dans un endroit sec, non poussiéreux et hors de portée des enfants.

# Procédure d'élimination des déchets

---



- ♦ Les pièces plastiques principales de l'appareil portent des codes indiquant la nature de leurs matériaux de composition. Ces codes font référence aux matériaux suivants ; procéder à l'élimination de ces pièces plastiques conformément à la législation locale en vigueur.

Code	Matériau
>PA6-GF<	Nylon 6 - Fibre de verre
>PP-GF<	Polypropylène - Fibre de verre
>PE-HD<	Polyéthylène

- ♦ La batterie contient du lithium. Effectuer la mise au rebut uniquement dans un site de ramassage désigné.
- ♦ Recycler ou mettre au rebut les batteries au lithium-ion comme il se doit.
- ♦ Si vous ne connaissez pas la procédure à suivre pour mettre au rebut des pièces plastiques, contactez votre revendeur ECHO.

# Caractéristiques

		DHC-200
<b>Masse :</b>		
sans batterie	kg	3,3
avec batterie	kg	4,3
<b>Outil de coupe :</b>		
Type		Double action, biface
Longueur de coupe	mm	624
Pas	mm	30
Hauteur	mm	20
<b>Rapport de vitesse et lubrification</b>		Réduction de 12,2 et graisse au lithium de bonne qualité
<b>Dimensions externes :</b> longueur x largeur x hauteur (avec batterie)	mm	1196 x 232 x 197
<b>Batterie :</b>		
Type		Li-ion
Tension du bloc	V	56 (tension nominale 50,4)
Type de chargeur		CCCV
Tension d'entrée du chargeur	V	230 - 240 CA
<b>Voyants du chargeur de batteries :</b>		DEL rouge – batterie hors de la plage de température de charge DEL rouge clignotante – défaut DEL verte – mise en charge de la batterie terminée DEL verte clignotante – batterie en cours de charge normale
<b>Temps de charge :</b>		Batterie LBP-560-100 : environ 42 minutes. Batterie LBP-560-200 : environ 88 minutes.
<b>Niveau de pression sonore :</b> (EN60745-2-15)	dB(A)	70,4
<b>Niveau de puissance sonore :</b> (EN60745-2-15)	dB(A)	81
Incertitude	dB(A)	3
<b>Niveaux de vibrations :</b> (EN60745-2-15)		
Poignée avant	m/s <sup>2</sup>	2,2
Poignée arrière	m/s <sup>2</sup>	2,9
Incertitude : K	m/s <sup>2</sup>	1,5

Ces caractéristiques sont susceptibles d'être modifiées sans préavis.

- La valeur totale déclarée pour les vibrations a été mesurée conformément à une méthode d'épreuve normalisée et peut être utilisée pour comparer un outil à un autre.
- La valeur totale déclarée pour les vibrations peut également être utilisée dans une évaluation préliminaire de l'exposition.

# Déclaration de conformité

---

Le fabricant soussigné :

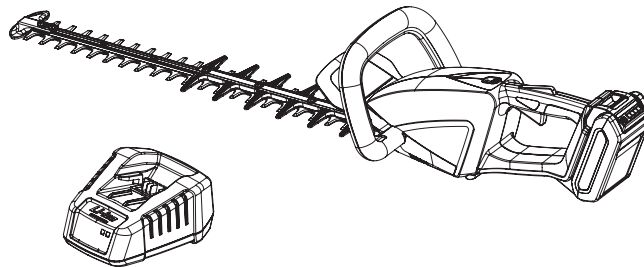
YAMABIKO CORPORATION  
7-2 SUEHIROCHO 1-CHOME  
OHME ; TOKYO 198-8760  
JAPON

Cette déclaration de conformité est délivrée sous la seule responsabilité du fabricant.

Déclare que l'appareil neuf désigné ci-après :

## TAILLE-HAIE PORTATIF CHARGEUR DE BATTERIES

Marque : ECHO  
Type : DHC-200  
LCJQ-560



assemblé par :

ECHO, INCORPORATED  
400 Oakwood Road  
Lake Zurich, Illinois 60047-1564  
États-Unis

Est conforme :

- \* aux exigences de la directive **2006/42/CE** (utilisation des normes harmonisées **EN 60745-1: 2009, EN 60745-2-15: 2009**)
- \* aux exigences de la directive **2014/30/UE** (utilisation des normes harmonisées **EN 55014-1: 2006, EN 55014-2: 1997, EN 61000-3-2: 2006 et EN 61000-3-3: 2008**)
- \* aux exigences de la directive **2014/35/UE** (utilisation des normes harmonisées **EN 60335-1: 2012, EN 60335-2-29: 2004 et EN 62233: 2008**)
- \* aux exigences de la directive **2000/14/CE**  
Procédure d'évaluation de la conformité suivant l'**ANNEXE V**
- \* aux exigences de la directive **2011/65/UE** (utilisation de la norme harmonisée **EN 50581: 2012**)

Niveau de puissance sonore mesuré : 81 dB(A)


Niveau de puissance sonore garanti : 84 dB(A)

**DHC-200** Numéro de série 35000001 et suivants

**LCJQ-560** Numéro de série 35001001 et suivants

Tokyo, le 1er juillet 2016

## YAMABIKO CORPORATION



**Masayuki Kimura**

**Directeur général  
Service Assurance qualité**

**Représentant autorisé en Europe, autorisé à constituer le dossier technique.**

Société : Atlantic Bridge Limited

Adresse : Atlantic House, PO Box 4800,

Earley, Reading RG5 4GB, Royaume-Uni

**M. Philip Wicks**



## NOTES

# YAMABIKO CORPORATION

7-2 SUEHIROCHO 1-CHOME, OHME, TOKYO 198-8760, JAPON  
TÉLÉPHONE : 81-428-32-6118. FAX : 81-428-32-6145.



X750-027400

X750817-0301



DEUTSCH  
DE (Original Gebrauchsanleitung)

# BEDIENUNGSANLEITUNG

## AKKU-HECKENSCHERE

### DHC-200

#### WARNUNG



LESEN SIE DIE BEDIENUNGSANLEITUNG SORGFÄLTIG DURCH, UND BEFOLGEN SIE DIE SICHERHEITSREGELN. ANDERNFALLS BESTEHT DAS RISIKO SCHWERER VERLETZUNGEN.



# Wichtige Informationen

---

**Lesen Sie unbedingt die Bedienungsanleitung, bevor Sie das Produkt verwenden.**

## ○ Bestimmungsgemäßer Gebrauch dieses Produkts

- ♦ ECHO-Heckenscheren zeichnen sich durch ihr geringes Gewicht und ihre hochwertige Ausführung aus. Sie eignen sich zum Schneiden von Hecken und Sträuchern.
- ♦ Gebrauchen Sie das Produkt für keinen anderen als den vorgesehenen Zweck.

## ○ Anwender des Produkts

- ♦ Verwenden Sie dieses Produkt erst, nachdem Sie die Bedienungsanleitung sorgfältig gelesen und den Inhalt genau verstanden haben.
- ♦ Das Produkt darf von keiner Person verwendet werden, die die Bedienungsanleitung nicht gelesen hat, an Erkältung, Müdigkeit oder einer anderen körperlichen Schwäche leidet. Das Produkt darf nicht von Kindern verwendet werden.
- ♦ Seien Sie sich bewusst, dass der Benutzer für Unfälle bzw. Gefährdungen anderer Personen oder deren Eigentum verantwortlich ist.

## ○ Allgemeines zu dieser Bedienungsanleitung

- ♦ Diese Bedienungsanleitung enthält wichtige Informationen über die Bedienung und Instandhaltung Ihres Produkts. Bitte lesen Sie sie sorgfältig durch, und machen Sie sich mit dem Inhalt vertraut.
- ♦ Bewahren Sie die Anleitung stets an einem schnell zugänglichen Ort auf.
- ♦ Sollte die Anleitung verloren gehen oder aufgrund von Beschädigungen nicht mehr lesbar sein, besorgen Sie sich bitte eine neue Anleitung von Ihrem ECHO-Händler.
- ♦ Die in dieser Anleitung verwendeten Einheiten sind SI-Einheiten (Système International d'unités; Internationales Einheitensystem). Zahlenangaben in Klammern sind Referenzwerte, bei denen mitunter geringe Umrechnungsfehler vorliegen können.

## ○ Verleihen oder Übereignen des Produkts

- ♦ Wenn Sie das in dieser Anleitung beschriebene Produkt verleihen, muss die Person, die das Produkt ausleiht und verwendet, auch die zugehörige Bedienungsanleitung erhalten. Wenn Sie das Produkt einer anderen Person übereignen, muss die Bedienungsanleitung zusammen mit dem Produkt ausgehändigt werden.

## ○ Anfragen

- ♦ Wenden Sie sich mit Fragen zum Produkt, zu Ersatzteilen und Reparaturen und dergleichen bitte an Ihren ECHO-HÄNDLER.

## ○ Anmerkungen

- ♦ Um Weiterentwicklungen des Produkts Rechnung zu tragen, bleiben dem Hersteller Änderungen am Inhalt dieser Anleitung vorbehalten. Einige Abbildungen in dieser Anleitung können vom Produkt abweichen, um Sachverhalte klarer darzustellen.
- ♦ Bei Unklarheiten oder Problemen wenden Sie sich bitte an Ihren ECHO-Händler.

## Hersteller

### **YAMABIKO CORPORATION**

**7-2 SUEHIROCHO 1-CHOME, OHME, TOKIO 198-8760, JAPAN**

## Autorisierter Repräsentant in Europa

### **Atlantic Bridge Limited**

**Atlantic House, PO Box 4800, Earley, Reading RG5 4GB, Vereingtes Königreich**

Sichere Verwendung des Produkts .....	4
Warnhinweise .....	4
Sonstige Kennzeichnungen .....	4
Symbole.....	4
Stelle, an der sich der Sicherheitsaufkleber befindet.....	5
Umgang mit dem Produkt.....	6
Packliste .....	13
Beschreibung.....	14
Bevor Sie beginnen .....	15
Zusammenbau.....	15
Betrieb .....	18
Starten des Geräts .....	18
Stoppen des Geräts.....	18
Schneiden von Hecken und Sträuchern .....	19
Grundlagen / Heckenschneiden .....	19
Wartung und Pflege .....	20
Wartungsrichtlinien .....	20
Wartung und Pflege.....	20
LAGERUNG.....	23
LAGERUNG.....	23
Entsorgungshinweise.....	24
Technische Daten .....	25
Konformitätserklärung.....	26

# Sichere Verwendung des Produkts

## Lesen Sie diesen Abschnitt unbedingt durch, bevor Sie das Produkt verwenden.

○ Er enthält wichtige Informationen zum Thema Sicherheit. Befolgen Sie die Anweisungen sorgfältig.

○ Lesen Sie außerdem die Sicherheitshinweise im Hauptteil dieser Bedienungsanleitung.

In Textabschnitten, die mit einem [diamond mark]-Symbol beginnen, werden die möglichen Folgen einer Nichtbeachtung von Sicherheitshinweisen beschrieben.


## Warnhinweise

Auf Situationen, in denen eine Verletzungsgefahr für den Bediener und andere Personen besteht, wird in dieser Anleitung und auf dem Produkt selbst durch die nachstehenden Warnhinweise aufmerksam gemacht. Lesen Sie diese Warnhinweise genau durch, und befolgen Sie sie, um sicheres Arbeiten zu gewährleisten.

<p style="text-align: center;"><b>⚠ GEFAHR</b></p> <p>Dieses Symbol in Verbindung mit dem Wort „<b>GEFAHR</b>“ macht auf Handlungen oder Bedingungen aufmerksam, die zu schweren Verletzungen oder zum Tod von Bediener und umstehenden Personen führen.</p>	<p style="text-align: center;"><b>⚠ WARNUNG</b></p> <p>Dieses Symbol in Verbindung mit dem Wort „<b>WARNUNG</b>“ macht auf Handlungen oder Bedingungen aufmerksam, die zu schweren Verletzungen oder zum Tod von Bediener und umstehenden Personen führen können.</p>	<p style="text-align: center;"><b>⚠ VORSICHT</b></p> <p>„<b>VORSICHT</b>“ warnt vor einer Gefahrensituation, in der es zu leichten bis mäßigen Verletzungen kommen kann.</p>
--	---	--







## Sonstige Kennzeichnungen

Zusätzlich zu den Warnhinweisen werden in dieser Anleitung folgende erklärende Symbole verwendet:






 <p>Kreis mit umgekehrtem Schrägstrich bedeutet, dass das Dargestellte unzulässig ist.</p>	<p style="text-align: center;"><b>HINWEIS</b></p> <p>Hinweise dieser Art enthalten Tipps zur Verwendung, Pflege und Wartung des Produkts.</p>	<p style="text-align: center;"><b>WICHTIG</b></p> <p>Umrahmter Text mit der Überschrift „<b>WICHTIG</b>“ enthält wichtige Informationen zur Verwendung, Überprüfung, Wartung und Lagerung des in dieser Anleitung beschriebenen Produkts.</p>
--	---	---

## Symbole

In dieser Anleitung und auf dem Produkt selbst werden verschiedene erklärende Symbole verwendet. Wichtig ist, dass Sie die Bedeutung der einzelnen Symbole genau verstehen.

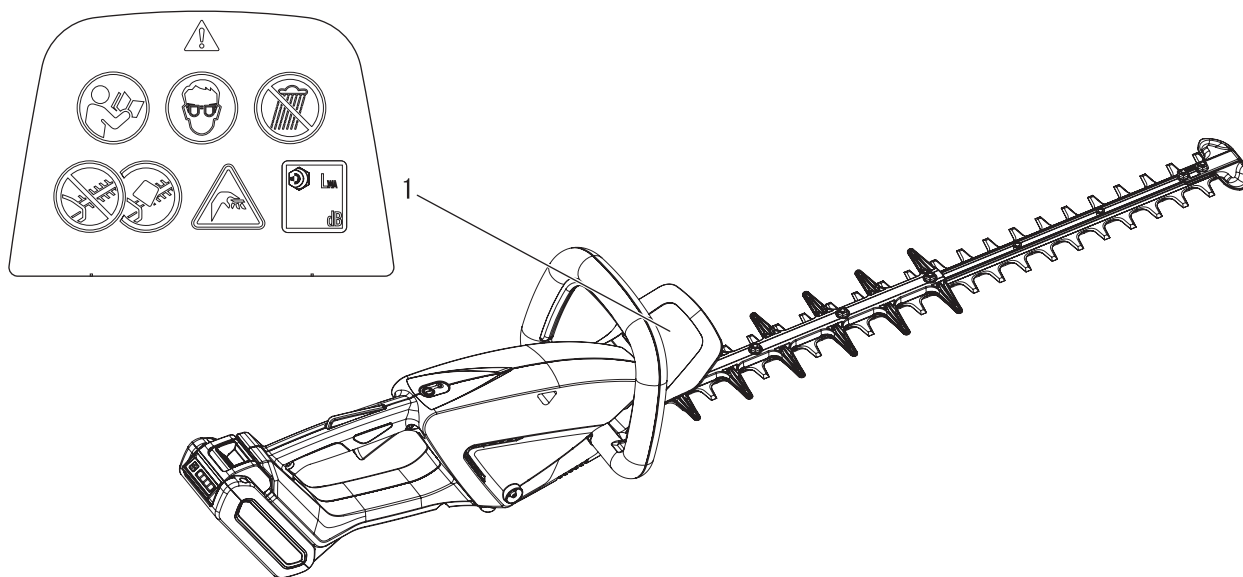
Symbol	Beschreibung des Symbols	Symbol	Beschreibung des Symbols
	Lesen Sie die Bedienungsanleitung sorgfältig durch		Tragen Sie Augenschutz
	Sicherheit/Alarm		Gefahr der Fingerabtrennung
	Achtung, Stromschlag-Gefahr		Achtung, heiße Bereiche
	Nie ohne Schutzvorrichtungen betreiben		Nie im Regen oder an feuchten Orten betreiben

# Sichere Verwendung des Produkts

Symbol	Beschreibung des Symbols	Symbol	Beschreibung des Symbols
	Garantierter Schallleistungspegel		Schutz der Umwelt!
	Volt	 oder DC	Gleichstrom
	Hübe pro Minute		

## Stelle, an der sich der Sicherheitsaufkleber befindet

- Das in dieser Anleitung beschriebene Produkt ist mit dem unten dargestellten Sicherheitsaufkleber versehen. Machen Sie sich die Bedeutung des Sicherheitsaufklebers bewusst, bevor Sie das Produkt verwenden.
- Wenn der Sicherheitsaufkleber abgerieben oder beschädigt und nicht mehr lesbar ist oder sich abgelöst hat, besorgen Sie bitte einen neuen Sicherheitsaufkleber von Ihrem Händler, und bringen Sie ihn an der in der Abbildung unten gezeigten Stelle an. Der Sicherheitsaufkleber muss stets gut lesbar sein.



1. Sicherheitsaufkleber (Teilenummer X505-008920)

# Sichere Verwendung des Produkts

## Umgang mit dem Produkt

### Allgemeine Sicherheitswarnungen zu Elektrowerkzeugen

#### **WARNUNG**

**Lesen Sie alle Sicherheitswarnungen und alle Anweisungen.**

Wenn die nachstehenden Warnungen und Anweisungen nicht beachtet werden, besteht die Gefahr von Stromschlag, Brand und/oder schweren Verletzungen.

**Bewahren Sie alle Warnhinweise und Anweisungen zum Nachschlagen auf.**

Der Begriff „Elektrowerkzeug“ in den Warnhinweisen bezieht sich auf ein netzbetriebenes (kabelgebundenes) Elektrowerkzeug oder ein akkubetriebenes (kabelloses) Elektrowerkzeug.

#### **Sicherheit im Arbeitsbereich**

○ **Sorgen Sie dafür, dass der Arbeitsbereich aufgeräumt und gut beleuchtet ist.**

◆ Unordentliche und dunkle Arbeitsbereiche bedeuten Unfallgefahr.

○ **Betreiben Sie Elektrowerkzeuge nicht in explosionsgefährdeten Bereichen, wie sie z. B. durch brennbare Flüssigkeiten, Gase oder Stäube in der Umgebung entstehen.**

◆ Elektrowerkzeuge können Funken erzeugen, und diese können die Stäube oder Dämpfe entzünden.

○ **Halten Sie bei der Arbeit mit einem Elektrowerkzeug Kinder und Umstehende fern.**

◆ Wenn Sie abgelenkt werden, können Sie die Kontrolle über das Werkzeug verlieren.

#### **Elektrische Sicherheit**

○ **Elektrowerkzeugstecker müssen passend für die Steckdose sein. Verändern Sie den Stecker in keiner Weise. Verwenden Sie in Verbindung mit geerdeten Elektrowerkzeugen keine Adapterstecker.**

◆ Unveränderte Stecker und passende Steckdosen mindern das Risiko eines elektrischen Schlags.

○ **Vermeiden Sie den Körperkontakt mit geerdeten Flächen wie Rohren, Heizkörpern, Öfen und Kühlschränken.**

◆ Das Risiko eines elektrischen Schlags ist höher, wenn Ihr Körper geerdet wird.

○ **Setzen Sie Elektrowerkzeuge nie Regen oder Nässe aus.**

◆ Wasser, das in ein Elektrowerkzeug eindringt, erhöht das Risiko eines elektrischen Schlags.

○ **Missbrauchen Sie das Kabel nicht. Gebrauchen Sie das Kabel nie zum Tragen, Ziehen oder Ausstecken des Elektrowerkzeugs. Halten Sie das Kabel fern von Hitze, Öl, scharfen Kanten und beweglichen Teilen.**

◆ Beschädigte oder verhedderte Kabel erhöhen das Risiko eines elektrischen Schlags.

○ **Verwenden Sie beim Einsatz eines Elektrowerkzeugs im Freien ein für den Außenbereich geeignetes Verlängerungskabel.**

◆ Die Verwendung eines für den Außenbereich geeigneten Kabels vermindert das Risiko eines elektrischen Schlags.

○ **Wenn der Einsatz eines Elektrowerkzeugs an einem feuchten Ort unvermeidlich ist, verwenden Sie eine Stromquelle mit Fehlerstrom-/Differenzstrom-Schutzschalter.**

◆ Die Verwendung eines Fehlerstrom-/Differenzstrom-Schutzschalters vermindert das Risiko eines elektrischen Schlags.

#### **Persönliche Sicherheit**

○ **Seien Sie bei der Arbeit mit einem Elektrowerkzeug aufmerksam, konzentrieren Sie sich auf das, was Sie tun, handeln Sie umsichtig und vernünftig. Gebrauchen Sie ein Elektrowerkzeug nicht, wenn Sie müde sind oder unter dem Einfluss von Drogen, Alkohol oder Medikamenten stehen.**

◆ Ein Moment der Unachtsamkeit beim Betrieb von Elektrowerkzeugen kann dazu führen, dass Personen schwer verletzt werden.

○ **Tragen Sie persönliche Schutzausrüstung. Tragen Sie immer einen Augenschutz.**

◆ Den Bedingungen angemessene Schutzausrüstung wie Staubmaske, Schuhwerk mit rutschfesten Sohlen, Schutzhelm und Gehörschutz vermindert die Verletzungsgefahr.

○ **Verhindern Sie, dass das Werkzeug unbeabsichtigt in Gang gesetzt wird. Achten Sie darauf, dass der Schalter ausgeschaltet ist, bevor Sie die Verbindung zur Stromquelle oder mit dem Akku herstellen und bevor Sie das Werkzeug aufnehmen und tragen.**

◆ Das Tragen von Elektrowerkzeugen mit dem Finger am Schalter und das Herstellen der Stromzufuhr zu Elektrowerkzeugen bei eingeschaltetem Schalter bedeuten Unfallgefahr.

○ **Entfernen Sie vor dem Einschalten des Elektrowerkzeugs eventuell benutzte Einstellschlüssel, Schraubenschlüssel usw.**

◆ Ein Schrauben- oder Einstellschlüssel, der an einem drehenden Teil des Elektrowerkzeugs vergessen wird, bedeutet Verletzungsgefahr.

○ **Beugen Sie sich nicht zu weit über. Achten Sie stets auf sicheren Tritt und Stand, und halten Sie das Gleichgewicht.**

◆ So behalten Sie das Elektrowerkzeug auch in einer unvorhergesehenen Situation besser unter Kontrolle.

○ **Achten Sie auf angemessene Kleidung. Tragen Sie keine lose sitzende Kleidung oder losen Schmuck. Bleiben Sie mit Haaren, Kleidung und Handschuhen weg von drehenden Teilen.**

◆ Lose sitzende Kleidung, Schmuck und langes Haar können sich in beweglichen Teilen verfangen.

○ **Bei Geräten mit Vorrichtung für eine Staubabsaug- und Staubsammeleinrichtung stellen Sie sicher, dass diese angeschlossen ist und wie vorgesehen genutzt wird.**

◆ Solche Einrichtungen können Gefahren durch Staub mindern.

Die Schwingungsemissionen, die im praktischen Gebrauch des Elektrowerkzeugs auftreten, können von dem deklarierten Vibrationsgesamtwert abweichen; abhängig ist dies von der Art, wie das Werkzeug eingesetzt wird, und der Notwendigkeit, Sicherheitsmaßnahmen zum Schutz des Bedieners festzulegen, die sich nach der geschätzten Exposition unter praktischen Arbeitsbedingungen richten (und die den vollständigen Arbeitszyklus, also neben der Betriebszeit auch Ausschaltzeiten und Leerlaufzeiten berücksichtigen).



# Sichere Verwendung des Produkts

## **WARNUNG**

### **Gebrauch und Pflege von Elektrowerkzeugen**

- **Überbeanspruchen Sie das Elektrowerkzeug nicht. Wählen Sie das richtige Elektrowerkzeug für die Aufgabe.**
- ◆ Ein für die betreffende Aufgabe richtig bemessenes und ausgelegtes Elektrowerkzeug erledigt die Aufgabe besser und sicherer.
- **Gebrauchen Sie das Elektrowerkzeug nicht, wenn der Ein- und Ausschalter nicht funktioniert.**
- ◆ Ein Elektrowerkzeug, dessen Schalter nicht funktionieren, ist gefährlich und muss repariert werden.
- **Trennen Sie den Stecker von der Stromquelle bzw. bauen Sie den Akku aus, bevor Sie an Elektrowerkzeugen Einstellungen vornehmen, Gerätezubehör wechseln oder die Werkzeuge lagern.**
- ◆ Solche Vorsichtsmaßnahmen mindern das Risiko, dass das Elektrowerkzeug unbeabsichtigt in Gang gesetzt wird.
- **Halten Sie Elektrowerkzeuge außer Reichweite von Kindern, und verhindern Sie, dass Personen, die mit dem Werkzeug und diesen Anweisungen nicht vertraut sind, Umgang mit dem Werkzeug haben.**
- ◆ Elektrowerkzeuge stellen in Händen ungeübter Nutzer eine Gefahr dar.
- **Halten Sie Elektrowerkzeuge instand. Achten Sie auf Fluchtungsfehler, auf festgegangene oder gebrochene Teile und andere Umstände, die den sicheren Einsatz des Elektrowerkzeugs gefährden können. Lassen Sie ein schadhaftes Elektrowerkzeug vor dem Gebrauch reparieren.**
- ◆ Viele Unfälle gehen auf schlecht gewartete Elektrowerkzeuge zurück.
- **Halten Sie Schneidwerkzeuge scharf und sauber.**
- ◆ Ordentlich instand gehaltene Schneidwerkzeuge mit scharfen Schneidkanten fressen nicht so leicht fest und sind leichter zu führen.
- **Gebrauchen Sie das Elektrowerkzeug, Zubehör, Wechselwerkzeuge usw. wie in dieser Anleitung beschrieben und unter Berücksichtigung der Arbeitsbedingungen und der durchzuführenden Arbeit.**
- ◆ Der nicht bestimmungsgemäße Gebrauch des Elektrowerkzeugs stellt eine Gefahr dar.

### **Gebrauch und Pflege von Akkuwerkzeugen**

- **Laden Sie Akkus nur mit dem vom Hersteller angegebenen Ladegerät.**
- ◆ Ein Ladegerät, das für den einen Akku geeignet ist, kann bei einem anderen Akku einen Brand verursachen.
- **Betreiben Sie Elektrowerkzeuge nur mit den speziell vorgesehenen Akkus.**
- ◆ Bei der Verwendung anderer Akkus kann Verletzungs- und Brandgefahr bestehen.
- **Halten Sie einen Akku, der nicht in Gebrauch ist, von anderen metallischen Gegenständen, wie Büroklammern, Schlüsseln, Nägeln, Schrauben und dergleichen Kleinteilen fern, die eine leitende Verbindung zwischen den Polen herstellen können.**
- ◆ Beim Kurzschließen der Akkupole besteht die Gefahr von Brandverletzungen und Brandgefahr.
- **Bei falscher Behandlung des Akkus kann Flüssigkeit aus dem Akku treten – vermeiden Sie den Kontakt. Nach versehentlichem Kontakt spülen Sie die betroffene Stelle mit Wasser. Wenn die Flüssigkeit in die Augen gerät, begeben Sie sich außerdem in ärztliche Behandlung.**
- ◆ Ausgelaufene Akkusäure kann Reizungen und Verätzungen hervorrufen.

### **Wartung**

- **Lassen Sie das Elektrowerkzeug von einer qualifizierten Reparaturwerkstatt mit identischen Ersatzteilen warten.**
- ◆ Dadurch ist gewährleistet, dass die Gerätesicherheit erhalten bleibt.

## **Besondere Sicherheitswarnungen zur Heckenschere**

## **WARNUNG**

- |  |   |
|--|---|
| <ul style="list-style-type: none"><li>○ <b>Halten Sie alle Teile des Körpers von dem Messerbalken fern. Räumen Sie keinen Heckenschnitt aus, und halten Sie kein zu trimmendes Material, solange die Messer laufen. Schalten Sie zum Ausräumen von Schnittgut, das den Messerbalken behindert oder festsetzt, grundsätzlich den Schalter aus.</b></li><li>◆ Ein Moment der Unachtsamkeit bei der Bedienung der Heckenschere kann dazu führen, dass Personen schwer verletzt werden.</li><li>○ <b>Tragen Sie die Heckenschere bei gestopptem Messerbalken am Griff. Bringen Sie zum Transport und zum Lagern der Heckenschere grundsätzlich den Schneidwerkschutz an.</b></li><li>◆ Bei vorschriftsmäßigem Umgang mit der Heckenschere ist die Verletzungsgefahr durch den Messerbalken geringer.</li></ul> | <ul style="list-style-type: none"><li>○ <b>Halten Sie das Elektrowerkzeug nur an den isolierten Griffflächen, da der Messerbalken mit versteckten Kabeln in Kontakt kommen kann.</b></li><li>◆ Wenn der Messerbalken auf ein stromführendes Kabel trifft, können freiliegende Metallteile des Elektrowerkzeugs ebenfalls spannungsführend werden, und der Bediener kann einen Stromschlag erhalten.</li></ul> |
|--|---|

# Sichere Verwendung des Produkts

## Allgemeine Sicherheitsregeln

### **WARNUNG**

#### Bedienungsanleitung

- Lesen Sie die Bedienungsanleitung vor der Inbetriebnahme des Produkts aufmerksam durch, um eine korrekte Bedienung zu gewährleisten.
- ◆ Andernfalls kann es zu Unfällen bzw. schweren Verletzungen kommen.



#### Produkt nur für den vorgesehenen Zweck verwenden

- Das Produkt darf nicht für andere als die in dieser Bedienungsanleitung genannten Zwecke verwendet werden.
- ◆ Andernfalls kann es zu Unfällen bzw. schweren Verletzungen kommen.

#### Keine Veränderungen am Produkt vornehmen

- An dem Produkt dürfen keine Veränderungen vorgenommen werden.
- ◆ Andernfalls kann es zu Unfällen bzw. schweren Verletzungen kommen. Funktionsfehler, die auf Veränderungen am Produkt zurückzuführen sind, fallen nicht unter die Herstellergarantie.

#### Produkt nur verwenden, wenn es überprüft und gewartet wurde

- Das Produkt darf nur verwendet werden, wenn es überprüft und gewartet wurde. Die Überprüfung und Wartung des Produkts muss regelmäßig durchgeführt werden.
- ◆ Andernfalls kann es zu Unfällen bzw. schweren Verletzungen kommen.

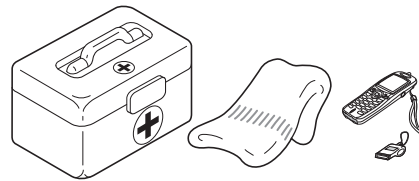
#### Verleihen oder Übereignen des Produkts

- Wenn Sie das Produkt verleihen, muss die ausleihende Person auch die zugehörige Bedienungsanleitung erhalten.
- Wenn Sie das Produkt einer anderen Person übereignen, muss die Bedienungsanleitung zusammen mit dem Produkt ausgehändigt werden.
- ◆ Andernfalls kann es zu Unfällen bzw. schweren Verletzungen kommen.

#### Vorsorge für den Fall von Verletzungen

Für den unwahrscheinlichen Fall, dass es dennoch zu Verletzungen kommt, sollten Sie folgende Dinge vorbereitet haben:

- **Verbandskasten**
- **Hand- und Wischtücher** (um etwaige Blutungen zu stoppen)
- **Trillerpfeife oder Mobiltelefon** (um Hilfe rufen zu können)
- ◆ Wenn Sie weder erste Hilfe leisten noch Hilfe rufen können, kann sich die Verletzung verschlimmern.



## Sicherheitsregeln für die Benutzung

### **GEFAHR**

#### Starten des Geräts

- Stellen Sie sich zum Starten des Geräts nie auf die Messerseite.
- ◆ Es besteht Verletzungsgefahr, wenn der Messerbalken abrupt in Bewegung geht.

#### Die stumpfe Verlängerung nicht entfernen

- Verwenden Sie das Produkt nicht ohne die stumpfe Verlängerung. Wenn sie zu Wartungszwecken entfernt werden muss, wenden Sie sich bitte an Ihren Händler.
- ◆ Nichtbefolgen dieser Anweisung kann zu schweren Verletzungen führen.

#### Das Gerät sofort abstellen, wenn die Messer blockieren

- Versuchen Sie nicht, bei laufendem Gerät einen Gegenstand zu entfernen, der die Messer blockiert.
- ◆ Beim plötzlichen Wiederanlaufen der Messer besteht Verletzungsgefahr.

# Sichere Verwendung des Produkts

## **WARNUNG**

### Anwender des Produkts

Das Produkt darf von folgenden Personen nicht gebraucht werden:

- übermüdete Personen
- alkoholisierte Personen
- unter Medikamenteneinfluss stehende Personen
- schwangere Frauen
- Personen in schlechter körperlicher Verfassung
- Personen, die die Bedienungsanleitung nicht gelesen haben
- Kinder
- ◆ Eine Nichtbefolgung dieser Anweisungen kann zu Unfällen führen.
- Die Bauteile dieser Maschine erzeugen im Betrieb ein elektromagnetisches Feld, das manche Herzschrittmacher stören kann. Um Gesundheitsrisiken zu reduzieren, empfehlen wir, dass Personen mit Herzschrittmachern vor dem Betrieb dieses Produkts ihren Arzt und den Hersteller des Herzschrittmachers konsultieren.



### Arbeitsumgebung und Bedienung

- Verwenden Sie das Produkt nicht an Orten ohne sicheren Untergrund, etwa an steilen Hängen oder nach Regengüssen, da solche Stellen rutschig und gefährlich sind.
- ◆ Wenn Sie fallen oder ausrutschen oder das Produkt nicht mehr voll beherrschen, kann dies zu schweren Verletzungen führen.

### Transport des Produkts

Schalten Sie das Gerät zum Transport in den unten beschriebenen Situationen aus, vergewissern Sie sich, dass der Messerbalken ausgelaufen ist und stillsteht, und bringen Sie die Messerabdeckung an. Tragen Sie das Gerät nicht, wenn die Betriebsanzeige-LED leuchtet.

- Sie suchen Ihren Arbeitsbereich auf.
- Sie wechseln im Verlauf der Arbeit den Arbeitsbereich.
- Sie verlassen Ihren bisherigen Arbeitsbereich.
- ◆ Eine Nichtbeachtung dieser Vorsichtsmaßnahme kann zu schweren Verletzungen führen.
- Bringen Sie zum Transport des Produkts mit dem Auto die Messerabdeckung an, und sichern Sie das Gerät so, dass es nicht verrutschen kann.

### Vibration und Kälte

Es wird vermutet, dass das Raynaud-Syndrom, das die Finger mancher Menschen befällt, durch stark vibrierende Arbeitsgeräte und das Arbeiten bei Kälte herbeigeführt wird. Durch stark vibrierende Arbeitsgeräte und das Arbeiten bei Kälte kann sich ein Prickeln und Brennen bemerkbar machen, dem sich Farblosigkeit und Gefühllosigkeit der Finger anschließen.

Die nachstehend aufgeführten Vorkehrungen werden dringend empfohlen, da die Mindestwerte, bei denen diese Krankheit ausgelöst wird, nicht bekannt sind.

- Halten Sie Ihren Körper warm, insbesondere Kopf und Nacken, Füße und Fußgelenke sowie Hände und Handgelenke.
- Achten Sie auf gute Durchblutung, indem Sie während häufiger Arbeitspausen kräftige Armübungen machen.
- Begrenzen Sie die Dauerbetriebszeiten auf ein Minimum.  
Teilen Sie jeden Arbeitstag so ein, dass auch Arbeiten ohne Trimmer oder tragbare Motorgeräte verrichtet werden.
- Wenn Ihre Finger schmerzen, rot und angeschwollen sind und schließlich bleich und gefühllos werden, müssen Sie einen Arzt aufsuchen, bevor Sie sich weiterhin Kälte und Vibrationen aussetzen.
- ◆ Eine Nichtbefolgung dieser Anweisung kann zu gesundheitlichen Schäden führen.

### RSI-Syndrom

Es wird angenommen, dass eine Überanstrengung der Muskeln und Sehnen der Finger, Hände, Arme und Schultern in den betreffenden Körperteilen Schmerzen, Schwellungen, Gefühllosigkeit, Schwäche und auch akuten Schmerz verursachen kann. Durch bestimmte ständig wiederholte Handbewegungen steigt das Risiko für die Entwicklung eines RSI-Syndroms.

Auf folgende Art mindern Sie das Risiko des RSI-Syndroms:

- Achten Sie darauf, dass Sie Ihr Handgelenk nicht zu sehr beugen, strecken oder verdrehen.
- Legen Sie von Zeit zu Zeit Pausen ein, um wiederholte Bewegungen zu minimieren, und lassen Sie Ihre Hände ruhen. Reduzieren Sie die Geschwindigkeit und den Kraftaufwand, mit denen Sie die Wiederholungsbewegung ausführen.
- Führen Sie geeignete Übungen zur Stärkung der Hand- und Armmuskulatur durch.
- Suchen Sie einen Arzt auf, wenn Sie ein Prickeln, Gefühllosigkeit oder Schmerzen in Ihren Fingern, Händen, Handgelenken oder Armen bemerken. Je früher das RSI-Syndrom erkannt wird, desto eher lässt sich eine dauerhafte Schädigung von Nerven und Muskeln verhindern.
- ◆ Eine Nichtbefolgung dieser Anweisung kann zu gesundheitlichen Schäden führen.

# Sichere Verwendung des Produkts

## **WARNUNG**

### Starten des Geräts

Befolgen Sie beim Starten des Geräts insbesondere die folgenden Sicherheitsregeln:

- Stellen Sie sicher, dass alle Griffe und Schutzvorrichtungen montiert sind.
- Überprüfen Sie, ob alle Schrauben und Muttern fest angezogen sind.
- Kontrollieren Sie, dass der Messerbalken nicht beschädigt ist und die Messer nicht verschlissen sind. Nehmen Sie das Produkt nicht in Betrieb, wenn Ihnen Unregelmäßigkeiten auffallen.
- Platzieren Sie das Produkt an einem ebenen, gut belüfteten Ort.
- Sorgen Sie für ausreichenden Abstand rund um das Produkt, und lassen Sie keine Personen oder Tiere in die Nähe kommen.
- Entfernen Sie jegliche Hindernisse.
- Gehen Sie sicher, dass der Messerbalken keinen Kontakt mit dem Boden oder einem Hindernis erhalten kann.
- ◆ Eine Nichtbefolgung der Sicherheitsregeln kann zu Unfällen, Verletzungen oder sogar zum Tod führen.

### Nach dem Starten des Geräts auf auffällige Vibrationen und Geräusche achten

- Achten Sie nach dem Starten des Geräts auf ungewöhnliche Vibrationen oder Geräusche. Verwenden Sie das Produkt nicht, wenn Sie ungewöhnliche Vibrationen oder Geräusche feststellen. Wenden Sie sich an Ihren Händler, um es reparieren zu lassen.
- ◆ Durch abfallende oder absplittende Teile kann es zu schweren Verletzungen kommen.

### Während des Betriebs keine heißen oder spannungsführenden Teile berühren

Die folgenden heißen oder spannungsführenden Teile des Produkts dürfen während des Betriebs und einige Zeit danach nicht berührt werden:

- **Heiße Teile**
  - ◆ Beim Berühren heißer Teile können Sie sich Verbrennungen zuziehen.
- **Spannungsführende Teile**
  - ◆ Beim Berühren von Teilen, die im Betrieb des Produkts spannungsführend sind, können Sie einen Stromschlag erleiden.



### Das Gerät zur Prüfung und Wartung ausschalten

Beachten Sie die folgenden Sicherheitsregeln, wenn Sie das Produkt nach dem Gebrauch überprüfen und warten:

- Schalten Sie das Gerät aus, und führen Sie Prüf- und Wartungsarbeiten an dem Gerät erst aus, nachdem das Gerät abgekühlt ist.
- ◆ Andernfalls können Sie sich verbrennen.

# Sichere Verwendung des Produkts

## **WARNUNG**

### Vor der Arbeit mit dem Produkt Fremdkörper und Hindernisse aus dem Arbeitsbereich entfernen

- Untersuchen Sie den Bereich, in dem das Produkt eingesetzt werden soll. Entfernen Sie Steine, Metallteile und andere Gegenstände, die das Produkt blockieren oder beschädigen könnten.
- ◆ Gegenstände, die von dem Schneidwerk in die Umgebung geschleudert werden, können Unfälle und schwere Verletzungen verursachen.

### Bei Problemen oder Auffälligkeiten das Gerät sofort abstellen

Schalten Sie das Gerät in den genannten Situationen sofort aus, vergewissern Sie sich, dass das Schneidwerk stillsteht, und überprüfen Sie dann die einzelnen Bereiche des Produkts. Ersetzen Sie beschädigte Teile.

- Das Schneidwerk kommt beim Arbeiten mit einem Stein, Baum, Pfosten oder einem anderen Hindernis in Berührung.
- Das Produkt beginnt plötzlich, ungewöhnlich zu vibrieren.
- ◆ Wenn beschädigte Teile weiter verwendet werden, kann dies zu Unfällen bzw. schweren Verletzungen führen.

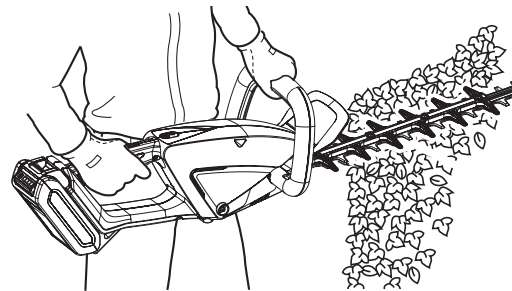
### Gefahrenzone im 10-m-Radius

Der Bereich in einem Radius von 10 m rund um dieses Produkt gilt als Gefahrenzone. Beachten Sie bei der Arbeit mit diesem Produkt folgende Sicherheitsregeln:

- Wenn eine andere Person die Gefahrenzone betritt, schalten Sie das Gerät aus, um die Messer anzuhalten.
- Wenn Sie sich dem Bediener nähern möchten, geben Sie ihm ein Signal, zum Beispiel, indem Sie von außerhalb der Gefahrenzone Zweige in sein Sichtfeld werfen. Warten Sie dann, bis das Gerät ausgeschaltet ist und die Messer stillstehen.
- Gestatten Sie keiner Person, das von Ihnen zu schneidende Material festzuhalten.
- ◆ Jeder Kontakt mit dem Messerbalken kann zu schweren Verletzungen führen.

### Das Produkt nicht einhändig bedienen

- Umfassen Sie bei laufendem Gerät die Handgriffe stets mit beiden Händen. Bedienen Sie das Produkt niemals mit nur einer Hand.
- Halten Sie die Heckenschere immer fest mit beiden Händen; halten Sie dabei den vorderen Griff mit der einen und den hinteren Griff mit der anderen Hand fest.
- Umschließen Sie die Griffe der Heckenschere jeweils fest mit der ganzen Hand.
- Nehmen Sie nie die Hände von dem Produkt, solange die Messer in Bewegung sind.
- ◆ Bei Nichtbeachtung dieser Anweisungen wird das Produkt nicht ausreichend stabilisiert, und es kann zu schweren Verletzungen kommen.



### Vor dem Absetzen des Produkts auf dem Boden kontrollieren, dass der Messerbalken stillsteht

- Setzen Sie das Gerät nach dem Ausschalten erst ab, wenn Sie sicher sind, dass die Schneidmesser stillstehen.
- ◆ Auch nach dem Ausschalten des Geräts können die Messer beim Nachlaufen noch Verletzungen verursachen.

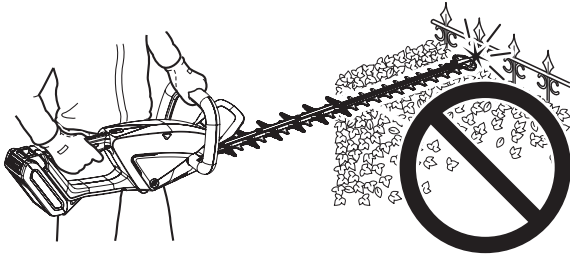


# Sichere Verwendung des Produkts

## **WARNUNG**

### Mit dem Produkt kein hartes Material schneiden

- Setzen Sie das Produkt nicht zum Schneiden harter Materialien, wie z. B. von Drähten oder Blechen, ein.
- Wenn die Messer auf ein Hindernis treffen oder nicht normal laufen, schalten Sie das Gerät aus und untersuchen die Schneidmesser auf Schäden.
- ◆ Das Nichtbefolgen dieser Anweisungen kann zu einer Beschädigung des Produkts und zu Unfällen führen.



### Mit dem Produkt nicht auf einer Leiter oder einem Stuhl stehend arbeiten

- Führen Sie keine Schneidarbeiten durch, wenn Sie auf einer instabilen Fläche stehen oder sich zum Schneiden strecken müssen.
- Arbeiten Sie mit dem Produkt nicht, wenn Sie ganz oben auf einer Leiter oder auf einem Stuhl stehen.
- ◆ Andernfalls kann es zu Unfällen bzw. schweren Verletzungen kommen.

## Schutzausrüstung

## **WARNUNG**

### Schutzausrüstung tragen

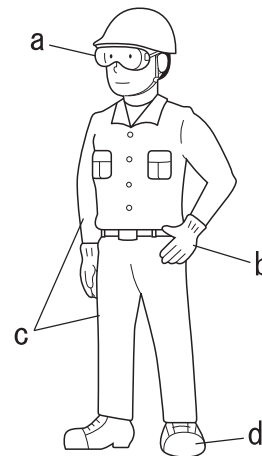
Tragen Sie bei der Arbeit mit der Heckenschere immer die folgende Schutzausrüstung:

- a **Schutzbrille:** schützt die Augen
  - b **Sicherheitshandschuhe:** schützen die Hände vor Kälte und Vibration
  - c **Eng anliegende Kleidung (lange Ärmel, lange Hosen):** schützt den Körper
  - d **Robuste Schuhe oder Stiefel:** schützen die Füße
- ◆ Bei Nichtbeachtung dieser Sicherheitsvorkehrungen sind Ihr Augenlicht und Ihr Gehör gefährdet, und es drohen andere schwere Verletzungen.

Falls erforderlich, verwenden Sie auch folgende

### Schutzausrüstung:

- **Kopfschutz (Helm):** schützt den Kopf
- **Gehörschutzbügel oder Ohrenstöpsel:** Gehörschutz
- **Staubmaske:** Atemschutz
- **Bienennetz:** Insektenschutz



### Geeignete Kleidung tragen

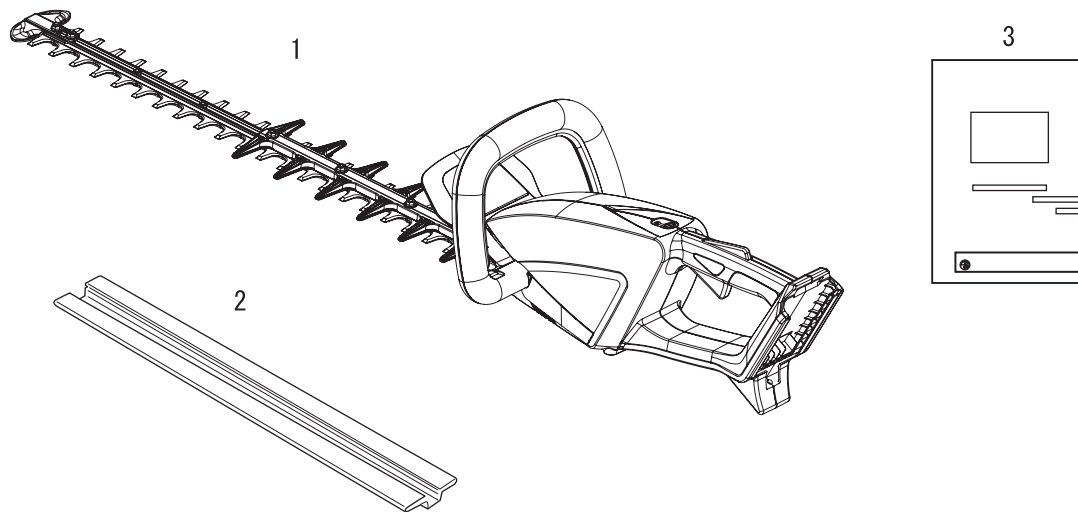
Tragen Sie keine Krawatten, Schmuckstücke oder lose, weite Kleidungsstücke, die sich im Gerät verfangen könnten. Tragen Sie keine offenen Schuhe, und arbeiten Sie nicht barfuß oder in kurzen Hosen.

- ◆ Bei Nichtbeachtung dieser Sicherheitsvorkehrungen besteht Unfallgefahr und die Gefahr schwerer Verletzungen.

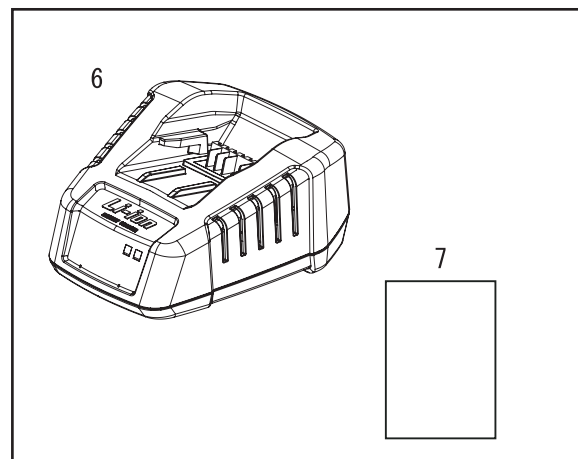
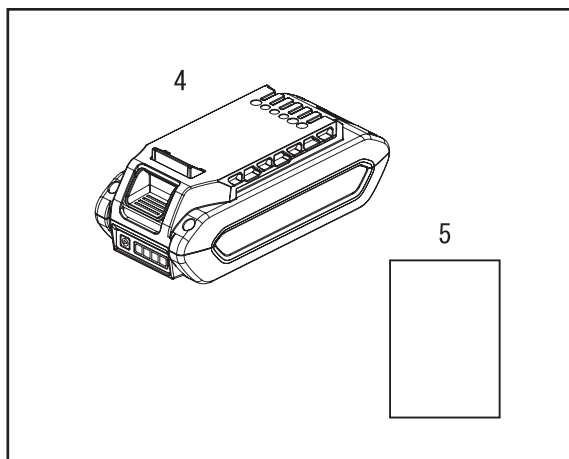


# Packliste

- ♦ Die nachfolgend aufgeführten Einzelteile sind in der Verpackung enthalten.
- ♦ Überprüfen Sie nach dem Auspacken die Vollständigkeit des Inhalts.
- ♦ Wenden Sie sich an Ihren Händler, wenn Teile fehlen oder beschädigt sind.

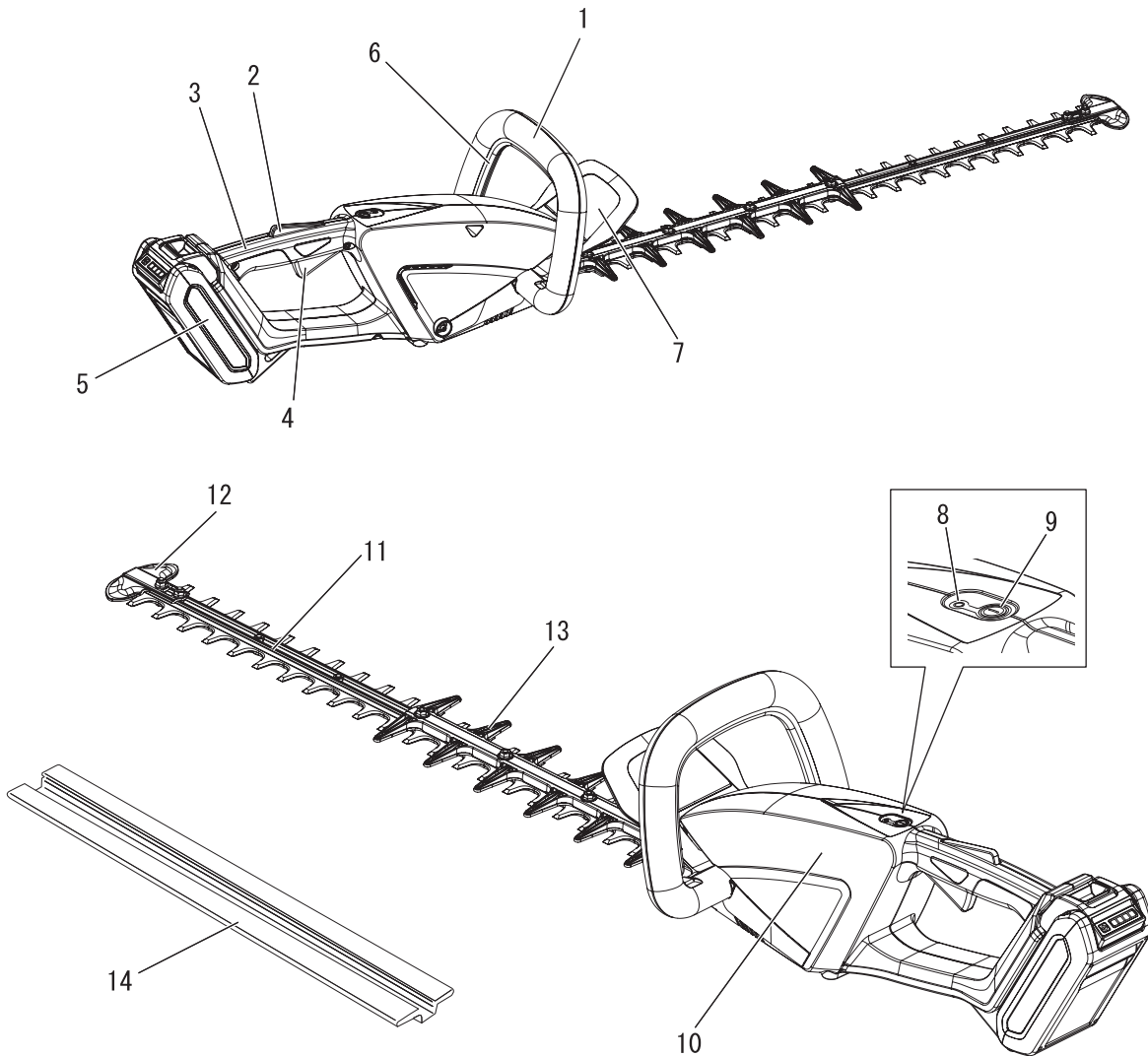


Nummer	Bezeichnung des Teils	Menge
(1)	Komplett montierte Motorheckenschere	1
(2)	Messerabdeckung	1
(3)	Bedienungsanleitung	1



Nummer	Bezeichnung des Teils	Menge
(4)	Akku	1
(5)	Bedienungsanleitung	1
(6)	Ladegerät	1
(7)	Bedienungsanleitung	1

# Beschreibung



1. **Vorderer Handgriff** Handgriff vor dem Schneidwerk.
2. **Hebelschaltersperre** Dient zum Arretieren des Hebelschalters in der Aus-Stellung, bis Sie mit der rechten Hand den Griff ganz umgriffen haben.
3. **Hinterer Handgriff** Weiter von dem Schneidwerk entfernter Handgriff.
4. **Hebelschalter** Schaltet den Motor ein und wird vom Bediener mit dem Finger betätigt.
5. **Akku**
6. **Verriegelungsschalter** Stoppt die Heckenschere, wenn der vorderen Haltegriff losgelassen wird.
7. **Handschutz** Verletzungsschutz zwischen vorderem Handgriff und Schneidwerk für den Fall, dass die Hand vom Handgriff abrutscht.
8. **Betriebsanzeige-LED** Leuchtet, wenn das Gerät Strom erhält. Geht aus, wenn die Stromzufuhr zum Gerät unterbrochen wird.
9. **Ein/Aus-Knopf** Ein Mal drücken, um die Stromzufuhr zu dem Gerät einzuschalten – die Betriebsanzeige-LED leuchtet. Wieder drücken, um die Stromzufuhr zu dem Gerät auszuschalten – die Betriebsanzeige-LED geht aus.
10. **Motoreinheit**
11. **Schneidwerk** Der Teil der Gruppe aus Messerbalken und Scherplatte sowie haltenden Teilen, der die Schneidarbeit leistet.
12. **Messerspitzenschutz** Schützt die Messer vor Verschleiß und Beschädigung beim Kontakt mit Fundamentmauern oder Eintauchen in Erde und verlängert ihre Lebensdauer.
13. **Stumpfe Verlängerung** Eine stumpfe Verlängerung des Schneidwerks.
14. **Messerabdeckung** Zum Transport und zur Lagerung des Produkts immer die Messerabdeckung anbringen.



# Bevor Sie beginnen

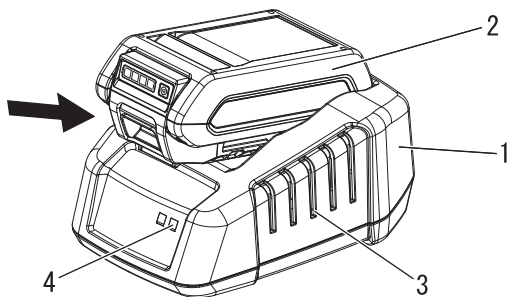
## Zusammenbau Ladung der Batterie

### **WARNUNG**

- Verwenden Sie nur den Akku LBP-560-100/LBP-560-200, und laden Sie diesen nur mit dem Ladegerät LCJQ-560.
- Halten Sie Ladegerät und Akku fern von Feuchtigkeit und allen Flüssigkeiten.
- Verwenden Sie das Ladegerät nicht auf leicht brennbaren Materialien (z. B. Papier, Stoff) und nicht in einer Umgebung mit erhöhter Brandgefahr.
- Bedecken Sie das Ladegerät nicht. Ein bedecktes Ladegerät kann nicht kühlen.
- Betreiben Sie das Ladegerät nicht in explosionsgefährdeten Bereichen, wie sie z. B. durch brennbare Flüssigkeiten, Gase oder Stäube in der Umgebung entstehen. Ladegeräte können Funken erzeugen, und diese können die Stäube oder Dämpfe entzünden – es besteht Explosionsgefahr.
- Schließen Sie das Ladegerät nur an das Netz an, wenn Spannung und Frequenz mit den Angaben auf dem Typenschild übereinstimmen.
- Schließen Sie das Ladegerät nur an eine leicht zugängliche Steckdose an.
- Stecken Sie nie Gegenstände in die Kühlschlitze des Akkus oder des Ladegeräts.
- Defekte, beschädigte oder verformte Akkus oder Ladegeräte dürfen nicht geladen oder verwendet werden.
- Der Akku und das Ladegerät dürfen nicht geöffnet, beschädigt oder fallengelassen werden.
- Aus dem Akku kann Flüssigkeit austreten, wenn er beschädigt ist oder nicht ordnungsgemäß verwendet wird. Den Hautkontakt vermeiden. Bei versehentlichem Kontakt die betroffenen Bereiche der Haut mit viel Wasser und Seife abwaschen. Wenn Flüssigkeit in die Augen gerät, die Augen nicht reiben. Spülen Sie die Augen mindestens 15 Minuten lang mit viel Wasser. Suchen Sie auch einen Arzt auf.
- Überbrücken Sie die Kontakte des Akkus oder die Klemmen des Ladegeräts nie mit Metallgegenständen (Kurzschluss).
- Schützen Sie den Akku vor direkter Sonneneinstrahlung, Hitze und offenem Feuer, und werfen Sie ihn nie in ein Feuer, es besteht Explosionsgefahr.
- Falls Rauch oder Flammen aus dem Ladegerät aufsteigen, trennen Sie es sofort von der Netzsteckdose.
- Wenn das Anschlusskabel beschädigt ist, trennen Sie den Stecker sofort vom Netz, da Stromschlaggefahr besteht.
- Setzen Sie den Akku nie Mikrowellen oder hohem Druck aus.
- Sichern Sie das Gerät gegen unbeabsichtigtes Starten. Nehmen Sie zum Transport und zur Lagerung des Geräts den Akku heraus. Verwenden Sie keine Metallcontainer für den Transport von Akkus.
- Um Stolpergefahren vorzubeugen, positionieren und markieren Sie das Anschlusskabel so, dass es nicht beschädigt werden kann und keine Gefahr für andere darstellt.

### **HINWEIS**

- Der neue Akku wird teilgeladen geliefert und muss vor dem ersten Gebrauch voll geladen werden.
- Laden Sie den Akku, wenn die Leistung nicht mehr für den Betrieb des Geräts ausreicht, oder wenn die Lampen am Akku anzeigen, dass der Akku schwach ist.



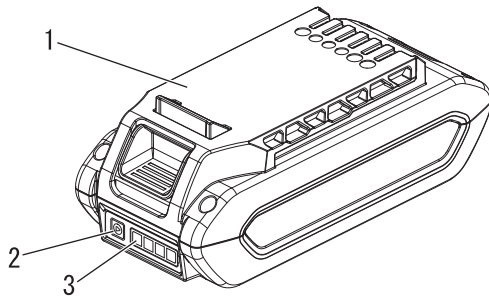
1. Ladegerät  
2. Akku  
3. Kühlschlitze  
4. Ladegerät-LED

1. Stecken Sie das Wechselstromkabel des Ladegeräts in die Netzsteckdose.
2. Richten Sie die Rippen am Akku auf die Nuten im Ladegerät, und schieben Sie den Akku in das Ladegerät.
3. Während des normalen Ladevorgangs blinkt die Ladegerät-LED GRÜN.

### **WICHTIG**

- Wenn das Ladegerät ein Problem feststellt, blinkt die LED ROT. Nehmen Sie den Akku aus dem Ladegerät, reinigen Sie die Kontakte, und bauen Sie den Akku wieder in das Ladegerät. Wenn die Temperatur des Akkus nicht im akzeptablen Bereich (0 °C bis 60 °C) ist, leuchtet die LED ROT.

# Bevor Sie beginnen



1. Akku  
2. Akkuladezustand-Taste  
3. LED-Anzeige

- Nachdem der Ladevorgang beendet ist, leuchtet die LED GRÜN.
  - \* Ein vollständig entladener Akku lädt in etwa 42 Minuten (LBP-560-100).
  - \* Ein vollständig entladener Akku lädt in etwa 88 Minuten (LBP-560-200).
- Prüfen Sie, ob der Akku vollständig geladen ist, indem Sie den Akku aus dem Ladegerät nehmen, die Akkuladezustand-Taste drücken und die LED-Anzeige beobachten.
  - ♦ Ein grünes Licht bedeutet, dass der Akku 0 bis 25 % Ladung hat.
  - ♦ Zwei grüne Lichter bedeuten, dass der Akku 25 bis 50 % Ladung hat.
  - ♦ Drei grüne Lichter bedeuten, dass der Akku 50 bis 75 % Ladung hat.
  - ♦ Vier grüne Lichter bedeuten, dass der Akku 75 bis 100 % Ladung hat.
- Trennen Sie das Akkuladegerät vom Netz.

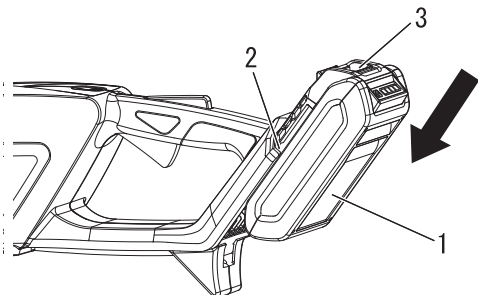
## Einsetzen und Entfernen des Akkus

### WARNUNG

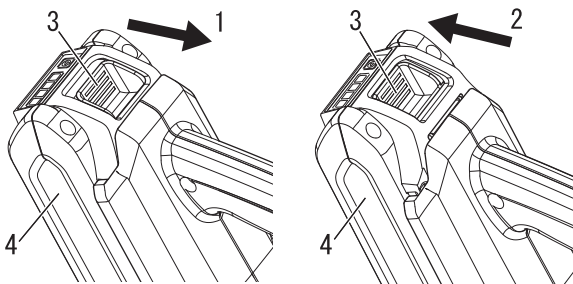
- Die Heckenschere arbeitet, wenn der Akku eingesetzt ist, die Betriebsanzeige-LED leuchtet und der Hebelschalter, die Hebelschaltersperre und der Verriegelungsschalter betätigt werden. Achten Sie darauf, dass die Heckenschere richtig positioniert ist, damit Sie nicht die Kontrolle verlieren – es besteht schwere Verletzungsgefahr. Halten Sie bewegliche Teile der Heckenschere fern vom Boden und fern von Gegenständen, die eingezogen werden könnten.

### HINWEIS

- ♦ Der neue Akku wird teilgeladen geliefert und muss vor dem ersten Gebrauch voll geladen werden.



1. Akku  
2. Rippe  
3. Akkuverriegelung



1. Eingerastet  
2. Nicht eingerastet  
3. Akkuverriegelung  
4. Akku

### Einsetzen des Akkus

- Kontrollieren Sie, dass die Stromzufuhr zum Gerät unterbrochen ist.
- Richten Sie die Rippen am Akku auf die Nut an der Heckenschere, und schieben Sie den Akku ein, bis die Akkuverriegelung einrastet.

### WICHTIG

Bevor Sie die Heckenschere gebrauchen, kontrollieren Sie, dass der Akku ganz eingeschoben und die Akkuverriegelung eingerastet ist.

### HINWEIS

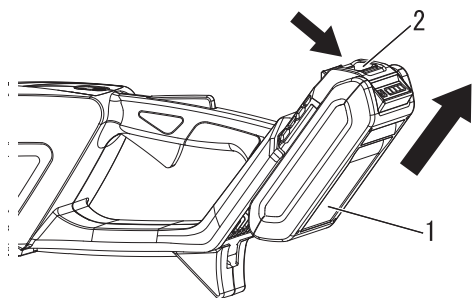
- ♦ Die Akkuverriegelung rastet ein, wenn der Akku ganz eingeschoben ist.

# Bevor Sie beginnen

---

## Entnehmen des Akkus

1. Zum Entnehmen des Akkus drücken Sie auf die Akkuverriegelung und schieben den Akku aus der Heckenschere.



1. Akku

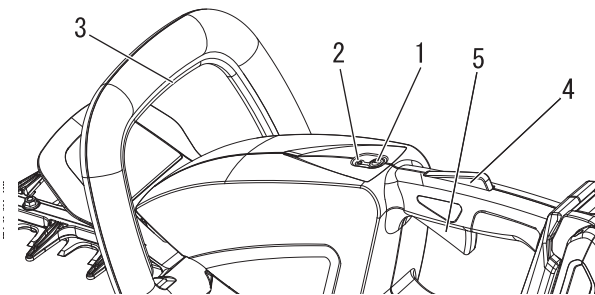
2. Akkuverriegelung

# Betrieb

## Starten des Geräts

### **WARNUNG**

- Beachten Sie beim Starten des Geräts die Sicherheitsregeln und Hinweise für den sicheren Betrieb und die richtige Handhabung des Produkts ab der Seite 4 im Abschnitt „Sichere Verwendung des Produkts“.
- ◆ Eine Nichtbefolgung der Sicherheitsregeln kann zu Unfällen, Verletzungen oder sogar zum Tod führen.



- 1. Ein/Aus-Knopf
- 2. Betriebsanzeige-LED
- 3. Verriegelungsschalter
- 4. Hebelschaltersperre
- 5. Hebelschalter

1. Entfernen Sie die Messerabdeckung.
2. Drücken Sie den Ein/Aus-Knopf ein Mal, um die Stromzufuhr zu dem Gerät einzuschalten.

### **HINWEIS**

- ◆ Die Betriebsanzeige-LED leuchtet, wenn das Gerät Strom erhält.

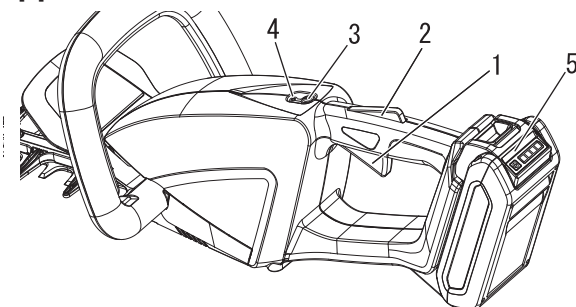
3. Halten Sie die Heckenschere an beiden Handgriffen. Der Verriegelungsschalter am vorderen Haltegriff muss gezogen sein, damit die Heckenschere startet und weiterläuft.
4. Halten Sie die Hebelschaltersperre unten, und ziehen Sie den Hebelschalter, um die Messergeschwindigkeit zu erhöhen.

### **WICHTIG**

Wenn die Stromzufuhr zu dem Gerät eingeschaltet ist:

- ◆ Nach einer Minute Inaktivität schaltet sich das Gerät von selbst aus.
- ◆ Wenn die LED ableibt, ist der Betrieb normal.
- ◆ Wenn die LED ein Mal pro Sekunde blinkt, ist der Akku ladbedürftig.
- ◆ Wenn die LED vier Mal pro Sekunde blinkt, liegt in dem Produkt eine Störung vor. Schalten Sie die Stromzufuhr zu dem Gerät aus. Entnehmen Sie den Akku. Räumen Sie die Messer frei. Setzen Sie den Akku ein. Schalten Sie die Stromzufuhr zu dem Gerät ein. Wenn die LED wieder blinkt, lassen Sie das Produkt von Ihrem autorisierten Kundendiensthändler reparieren.

## Stoppen des Geräts



- 1. Hebelschalter
- 2. Hebelschaltersperre
- 3. Ein/Aus-Knopf
- 4. Betriebsanzeige-LED
- 5. Akku

1. Lassen Sie den Hebelschalter und die Hebelschaltersperre los und die Messer zum Stillstand kommen.
2. Drücken Sie den Ein/Aus-Knopf, um die Stromzufuhr zu dem Gerät auszuschalten.

### **HINWEIS**

- ◆ Die Betriebsanzeige-LED geht aus, wenn die Stromzufuhr zum Gerät unterbrochen wird.

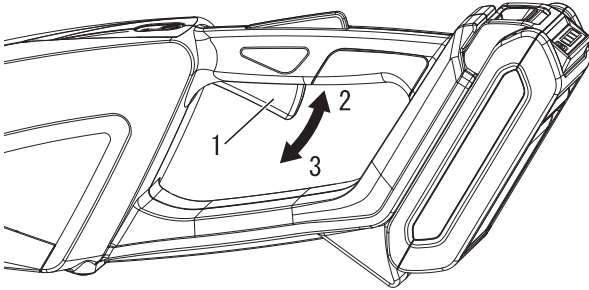
- \* Wenn der Ein/Aus-Knopf die Heckenschere nicht stoppt, bauen Sie den Akku aus, um die Stromzufuhr zu der Heckenschere zu unterbrechen. Lassen Sie den Ein/Aus-Knopf von Ihrem autorisierten ECHO-Kundendiensthändler reparieren, bevor Sie die Heckenschere wieder in Betrieb nehmen. Wenn beim Loslassen von Hebelschalter, Hebelschaltersperre und Verriegelungsschalter die Messer nicht stehenbleiben, bauen Sie den Akku aus, um die Stromzufuhr zu der Heckenschere zu unterbrechen. Lassen Sie das Gerät vor dem Wiedergebrauch von Ihrem autorisierten ECHO-Kundendiensthändler reparieren.

# Schneiden von Hecken und Sträuchern

## Grundlagen / Heckenschneiden

### HINWEIS

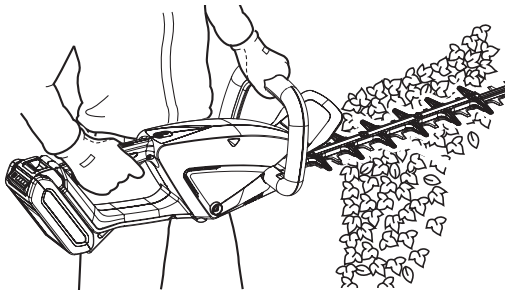
- ♦ Dieses Gerät ist für das Schneiden von Sträuchern und Hecken mit Zweigen von max. 6 mm Durchmesser ausgelegt.



1. Hebelschalter

3. Stopp

2. Hohe Geschwindigkeit



- ♦ Beim Ziehen des Hebelschalters beginnen die Schneidmesser zu laufen. Stellen Sie die Arbeitsgeschwindigkeit je nach Aufgabe (z. B. der zu schneidenden Zweigstärke) ein.

- ♦ Achten Sie bei allen Schneidarbeiten darauf, dass der Messerbalken von Ihrem Körper weg weist. Stellen Sie sicher, dass der Messerbalken nicht auf Ihren Körper gerichtet ist, und halten Sie ausreichenden Abstand.
- ♦ Bewegen Sie den Messerbalken in waagerechter Richtung hin und her, um die oberen Bereiche von Hecken oder Sträuchern zu schneiden. Sie erzielen saubere Schnittflächen, indem Sie die Messer leicht nach unten gekippt am Schnittgut entlangführen.
- ♦ Führen Sie für saubere Schnittflächen an seitlichen Bereichen den Messerbalken von unten nach oben.
- ♦ Drücken Sie den Messerbalken nicht an, z. B. gegen Bäume. Berücksichtigen Sie bei der Bedienung des Produkts die Bewegungsrichtung und Geschwindigkeit des Messerbalkens.

# Wartung und Pflege

## Wartungsrichtlinien

Komponente	Wartung	Seite	Vor der Verwendung	Monatlich
Akku	Überprüfen/reinigen/laden	15	•	
Messerantrieb	Schmieren	21	• (15-20 h)	
Messer	Überprüfen/reinigen/schmieren	20	•	
Schrauben, Bolzen und Muttern	Überprüfen/festziehen/ersetzen	-	•	

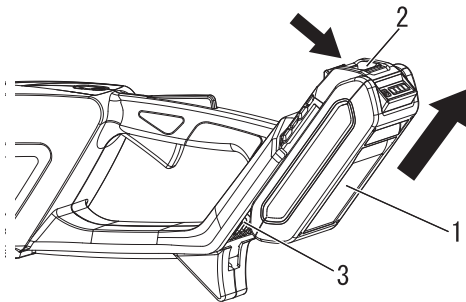
## WICHTIG

Angegeben sind die maximalen Zeitabstände. Die Häufigkeit der erforderlichen Wartungsarbeiten richtet sich nach der tatsächlichen Beanspruchung und Ihrer Erfahrung. Daten der monatlich bzw. jährlich durchgeführten Inspektionen aufzeichnen!

## Wartung und Pflege

Wenden Sie sich bei Fragen oder Problemen bitte an Ihren Händler.

### Reinigen von Akku und Akkufach



- 1. Akku
- 2. Akkuverriegelung
- 3. Akkufach

## ⚠️ WARNUNG

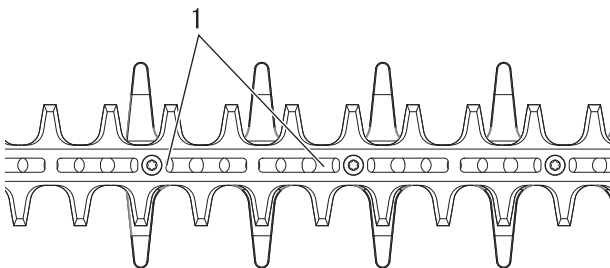
○ **Stromschlag- und Brandgefahr. Verwenden Sie zum Reinigen des Akkus und des Akkufachs keine leitenden Materialien.**

1. Lassen Sie den Hebelschalter und die Hebelschaltersperre los und den Scherenkopf zum Stillstand kommen.
2. Kontrollieren Sie, dass die Betriebsanzeige-LED aus ist.
3. Drücken Sie auf die Akkuentriegelung, und schieben den Akku aus dem Antriebskopf.
4. Entfernen Sie Schmutz von Akku und Akkufach mit Druckluft oder einer weichen Bürste.

### Pflege der Schneidmesser

## ⚠️ VORSICHT

- **Zum Schutz der Hände vor den scharfen Schneidmessern stets Schutzhandschuhe tragen.**
- ◆ Eine Nichtbeachtung dieser Vorsichtsmaßnahme kann zu Verletzungen führen.



- 1. Schraubenschlitze

### Messer schmieren (alle 4 Betriebsstunden)

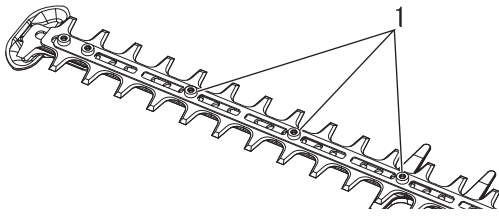
Geben Sie einige Tropfen Öl auf die Schraubenschlitze an der Unterseite der Messer.

### Schneidmesser reinigen (nach jeder Verwendung des Geräts)

Entfernen Sie Harzrückstände an den Messern mit einem Gemisch (Verhältnis 50:50) aus Kerosin (Paraffin) und Maschinenöl.

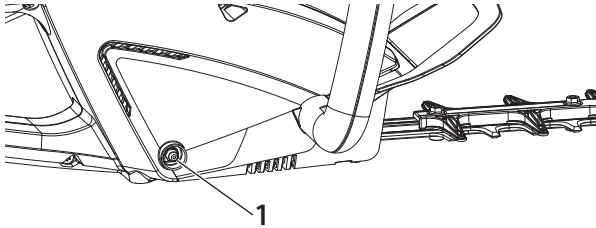
## Einstellen des Schneidmessers

Bei Standardmessern ist kein regelmäßiges Einstellen erforderlich. Stellen Sie sicher, dass alle Bundbolzen für die Messer fest angezogen und in einwandfreiem Zustand sind.



1. Passbolzen

## Schmieren des Getriebegehäuses



1. Schmiernippel

*Erford. Werkzeuge:*

Fettpresse, Lappen.

*Erforderliche Teile:*

Fett auf Lithiumbasis.

1. Wischen Sie den Schmiernippel ab.
2. Halten Sie das Gerät gut fest und schmieren Sie den Schmiernippel vorsichtig. Schmiermittel nicht mit Druck aufbringen! Bei zu hohem Druck dringt das Schmiermittel durch die Dichtungen und führt zu einer Beschädigung des Geräts. **Schmieren Sie mit 1 bis 2 Fettstößen alle 15 bis 20 Betriebsstunden.**

## HINWEIS

Verwenden Sie ein hochwertiges Lithium-Mehrzweckfett.

# Wartung und Pflege

## Fehlerbehebung

Problem	Ursache	Lösung
Rote Ladegerätlampe blinkt oder Lampe leuchtet nicht auf	<ul style="list-style-type: none"> <li>♦ Stecker nicht mit der Steckdose verbunden</li> <li>♦ Akku ist nicht korrekt installiert</li> <li>♦ Schlechter Kontakt</li> <li>♦ Fehler im Ladegerät</li> <li>♦ Fehler im Akku</li> </ul>	<ul style="list-style-type: none"> <li>♦ Stecken Sie das Ladegerät ein.</li> <li>♦ Prüfen Sie den Einbau des Akkus.</li> <li>♦ Bauen Sie den Akku aus und mit gereinigten Kontakten wieder ein.</li> <li>♦ Wenden Sie sich an Ihren ECHO-Händler.</li> <li>♦ Wenden Sie sich an Ihren ECHO-Händler.</li> </ul>
Gerät lässt sich nicht einschalten	<ul style="list-style-type: none"> <li>♦ Akku ist nicht korrekt installiert</li> </ul>	<ul style="list-style-type: none"> <li>♦ Prüfen Sie den Einbau des Akkus.</li> </ul>
Gerät läuft nicht, obwohl es eingeschaltet ist	<ul style="list-style-type: none"> <li>♦ Akku entladen</li> <li>♦ Messer blockiert</li> <li>♦ Akkutemperatur zu hoch oder zu niedrig</li> <li>♦ Messer festgegangen</li> </ul>	<ul style="list-style-type: none"> <li>♦ Laden Sie den Akku.</li> <li>♦ Schalten Sie das Gerät aus, entnehmen Sie den Akku, und räumen Sie die Messer frei.</li> <li>♦ Bauen Sie den Akku aus, und lassen Sie den Akku abkühlen.</li> <li>♦ Bürsten Sie losen Schmutz von den Messern, und schmieren Sie die Messer.</li> </ul>
Laufzeit ist zu kurz	<ul style="list-style-type: none"> <li>♦ Akkutemperatur zu hoch oder zu niedrig</li> <li>♦ Geräteelektronik zu heiß</li> <li>♦ Akku entladen</li> <li>♦ Messer beschädigt</li> </ul>	<ul style="list-style-type: none"> <li>♦ Bauen Sie den Akku aus, und lassen Sie den Akku abkühlen.</li> <li>♦ Schalten Sie das Gerät aus, und lassen Sie das Gerät abkühlen.</li> <li>♦ Laden Sie den Akku.</li> <li>♦ Wenden Sie sich an Ihren ECHO-Händler.</li> </ul>
Gerät vibriert stark	<ul style="list-style-type: none"> <li>♦ Fehler an internen Teilen</li> </ul>	<ul style="list-style-type: none"> <li>♦ Wenden Sie sich an Ihren ECHO-Händler.</li> </ul>

- ♦ Für die Überprüfung und Wartung sind entsprechende Fachkenntnisse erforderlich. Wenn Sie das Produkt nicht selbst überprüfen, warten oder instand setzen können, wenden Sie sich an Ihren Händler. Versuchen Sie nicht, das Produkt zu zerlegen.
- ♦ Bei Problemen oder Störungen, die nicht in der obigen Tabelle genannt werden, wenden Sie sich an Ihren Händler.
- ♦ Verwenden Sie nur Original-Ersatzteile und -Verbrauchsprodukte, die für das Produkt zugelassen sind. Die Verwendung von Teilen anderer Hersteller oder nicht zugelassener Produkte kann zu Fehlfunktionen führen.

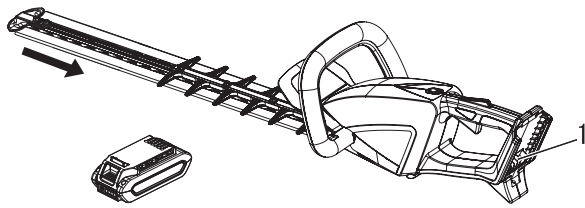


## LAGERUNG

### **WARNUNG**

**Lagern Sie das Gerät nicht in einem Raum, in dem sich brennbare Dämpfe sammeln können.**  
Es besteht Brandgefahr.

Gehen Sie folgendermaßen vor, wenn Sie das Produkt lange Zeit lagern möchten:



1. Akkufach

#### **Heckenschere**

Lagern Sie das Gerät nicht ein, ohne zuvor die folgenden schützenden Wartungsmaßnahmen durchgeführt zu haben:

1. Schalten Sie die Stromzufuhr zu dem Gerät aus.
2. Entnehmen Sie den Akku aus der Heckenschere.
3. Entfernen Sie Ansammlungen von Schmutz und Fremdstoffen außen an dem Gerät.
4. Ziehen Sie alle Schrauben und Muttern fest.
5. Setzen Sie die Messerabdeckung wieder auf.
6. Decken Sie das Akkufach der Heckenschere ab.
7. Lagern Sie das Gerät trocken, staubfrei und für Kinder unzugänglich.

#### **Akku**

1. Entnehmen Sie den Akku aus der Heckenschere.
2. Wählen Sie für die Lagerung einen trockenen, staubfreien und für Kinder unzugänglichen Ort.
3. Die Lagerung soll bei Temperaturen zwischen  $-20\text{ °C}$  und  $60\text{ °C}$  erfolgen.
4. Wenn der Akku länger als ein Jahr gelagert wird, laden Sie ihn auf ca. 40 bis 60 % seiner Ladekapazität.

#### **Akkuladegerät**

1. Entnehmen Sie den Akku aus dem Akkuladegerät.
2. Trennen Sie das Akkuladegerät vom Netz.
3. Wählen Sie für die Lagerung einen trockenen, staubfreien und für Kinder unzugänglichen Ort.

# Entsorgungshinweise

---



- ♦ Auf den größeren Kunststoffteilen des Produkts befindet sich jeweils eine Kennzeichnung (Code) des Werkstoffs. Diese Codes beziehen sich auf die folgenden Werkstoffe; entsorgen Sie diese Kunststoffteile unter Einhaltung der gesetzlichen Vorschriften Ihres Landes.

Kennzeichnung	Werkstoff
>PA6-GF<	Nylon 6 - Glasfaser
>PP-GF<	Polypropylen - Glasfaser
>PE-HD<	Polyethylen

- ♦ Batterie enthält Lithium. Nur an den dafür vorgesehenen Sammelstellen entsorgen.
- ♦ Lithium-Ionen-Batterien müssen vorschriftsgemäß recycelt und entsorgt werden.
- ♦ Wenn Sie Fragen zur korrekten Entsorgung von Altöl oder Kunststoffteilen haben, setzen Sie sich bitte mit Ihrem ECHO-Fachhändler in Verbindung.

# Technische Daten

		DHC-200
<b>Gewicht:</b>		
ohne Akku	kg	3,3
mit Akku	kg	4,3
<b>Schneidwerk:</b>		
Typ		Gegenläufig, zweiseitig
Schneidlänge	mm	624
Zahnteilung	mm	30
Höhe	mm	20
<b>Untersetzungsverhältnis und Schmierung</b>		Untersetzung 12,2; hochwertiges Lithium-Schmiermittel
<b>Außenabmessungen:</b> Länge x Breite x Höhe (mit Akku)	mm	1196 x 232 x 197
<b>Akku:</b>		
Typ		Li-Ion
Akkuspannung	V	56 (bemessen 50,4)
Ladegerättyp		CCCV
Ladegeräteingangsspannung	V	AC 230 – 240
<b>Akkuladegerätlampen:</b>		Rote LED – Akku nicht im Ladetemperaturbereich Rote LED blinkt – Fehler Grüne LED – Akku fertig geladen Grüne LED blinkt – Akku lädt normal
<b>Ladezeit:</b>		Akku LBP-560-100: Circa 42 Minuten Akku LBP-560-200: Circa 88 Minuten
<b>Schalldruckpegel:</b> (EN60745-2-15)	dB(A)	70,4
<b>Schalleistungspegel:</b> (EN60745-2-15)	dB(A)	81
Unsicherheit	dB(A)	3
<b>Schwingungspegel:</b> (EN60745-2-15)		
Vorderer Griff	m/s <sup>2</sup>	2,2
Hinterer Griff	m/s <sup>2</sup>	2,9
Unsicherheit: K	m/s <sup>2</sup>	1,5

Änderungen der technischen Daten vorbehalten.

- Der deklarierte Vibrationsgesamtwert wurde nach einem Standardprüfverfahren ermittelt und kann zum Vergleich der Geräte untereinander herangezogen werden.
- Der deklarierte Vibrationsgesamtwert kann außerdem zur vorläufigen Beurteilung der Exposition herangezogen werden.

# Konformitätserklärung

---

Der unterzeichnete Hersteller:

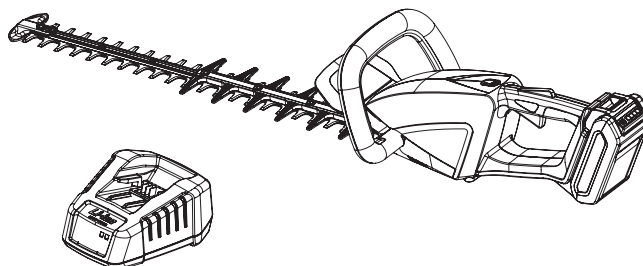
YAMABIKO CORPORATION  
7-2 SUEHIROCHO 1-CHOME  
OHME, TOKIO 198-8760  
JAPAN

Diese Konformitätserklärung wird unter der alleinigen Verantwortung des Herstellers erstellt.

erklärt, dass das nachstehend spezifizierte neue Gerät:

## TRAGBARE MOTORHECKENSCHERE AKKULADEGERÄT

Marke: **ECHO**  
Typ: **DHC-200**  
**LCJQ-560**



montiert durch:

ECHO, INCORPORATED  
400 Oakwood Road  
Lake Zurich, Illinois 60047-1564  
USA

Folgendes erfüllt:

- \* Anforderungen der Richtlinie **2006/42/EG** (Anwendung der harmonisierten Norm **EN 60745-1: 2009, EN 60745-2-15: 2009**)
- \* Anforderungen der Richtlinie **2014/30/EU** (Anwendung der harmonisierten Norm **EN 55014-1: 2006, EN 55014-2: 1997, EN 61000-3-2: 2006, und EN 61000-3-3: 2008**)
- \* Anforderungen der Richtlinie **2014/35/EU** (Anwendung der harmonisierten Norm **EN 60335-1: 2012, EN 60335-2-29: 2004, und EN 62233: 2008**)
- \* Anforderungen der Richtlinie **2000/14/EG**  
Konformitätsbewertung nach **ANHANG V**
- \* Anforderungen der Richtlinie **2011/65/EU** (Anwendung der harmonisierten Norm **EN 50581: 2012**)

Gemessener Schalleistungspegel: 81 dB(A)

Garantierter Schalleistungspegel: 84 dB(A)

**DHC-200**                      Seriennummer 35000001 und höher

**LCJQ-560**                      Seriennummer 35001001 und höher

Tokio, den 1. Juli 2016

## YAMABIKO CORPORATION

*Masayuki Kimura*

---

**Masayuki Kimura**

**Hauptabteilungsleiter**  
**Abteilung Qualitätssicherung**

**Der Dokumentenbevollmächtigte in Europa, welcher autorisiert ist, die technischen Daten zusammenzustellen.**

Unternehmen: Atlantic Bridge Limited

Adresse: Atlantic House, PO Box 4800,

Earley, Reading RG5 4GB, Vereinigtes Königreich

**Herr Philip Wicks**

## NOTIZEN

# YAMABIKO CORPORATION

7-2 SUEHIROCHO 1-CHOME, OHME, TOKIO 198-8760, JAPAN

TELEFON: 81-428-32-6118. FAX: 81-428-32-6145.



X750-027400

X750817-0301



ITALIANO  
IT (Istruzioni originali)

# MANUALE PER L'OPERATORE

## TAGLIASIEPI RICARICABILE

### DHC-200

#### AVVERTENZA



LEGGERE E SEGUIRE ATTENTAMENTE LE ISTRUZIONI PER  
LAVORARE IN CONDIZIONI DI MASSIMA SICUREZZA.  
LA MANCATA OSSERVANZA DELLE ISTRUZIONI POTREBBE  
PROVOCARE LESIONI GRAVI.



# Informazioni importanti

---

**Si raccomanda di leggere il manuale per l'operatore prima di utilizzare questo prodotto.**

## ○ Tipologia di impiego del prodotto

- ♦ I taglia siepi ECHO sono unità caratterizzate da leggerezza e elevate prestazioni per il taglio di siepi e arbusti.
- ♦ Non utilizzare l'attrezzo per impieghi differenti da quelli per i quali è progettato.

## ○ Utenti del prodotto

- ♦ Prima di utilizzare questo prodotto leggere attentamente e familiarizzare con il contenuto del manuale per l'operatore.
- ♦ Non utilizzare questo prodotto senza aver prima letto attentamente il manuale per l'operatore, non utilizzare il prodotto in condizioni debilitate a causa di raffreddore o stanchezza o in condizioni fisiche e psicologiche non ottimali; inoltre vietare l'uso ai bambini.
- ♦ Tenere presente che l'operatore o l'utente è responsabile di eventuali rischi o incidenti provocati ad altre persone o alle proprietà altrui.

## ○ Informazioni sul manuale per l'operatore

- ♦ Questo manuale contiene informazioni necessarie per il funzionamento e la manutenzione del prodotto. Si raccomanda di attentamente il manuale, familiarizzando con il contenuto.
- ♦ Tenere sempre il manuale in un luogo facilmente accessibile.
- ♦ Se il manuale viene smarrito o danneggiato e non può essere consultato, acquistarne uno nuovo presso il rivenditore ECHO.
- ♦ Le unità di misura utilizzate in questo manuale sono espresse in conformità al sistema internazionale. Le cifre riportate tra parentesi sono valori di riferimento e in alcuni casi ci potrebbero essere lievi errori di conversione.

## ○ Prestito o cessione del prodotto

- ♦ In caso di prestito o cessione del prodotto descritto in questo manuale, consegnare alla persona che lo riceve in prestito e che dovrà utilizzarlo anche il manuale per l'operatore. Se si cede o vende il prodotto a terzi, consegnare anche il manuale dell'operatore assieme al prodotto.

## ○ Richieste

- ♦ Per ricevere ulteriori informazioni sul prodotto, per l'acquisto di articoli di consumo, per riparazioni e altre eventuali richieste, contattare il proprio rivenditore ECHO.

## ○ Avvisi

- ♦ Il contenuto di questo manuale può essere modificato senza preavviso per renderlo conforme a eventuali aggiornamenti del prodotto. Al fine di illustrare con maggiore chiarezza le spiegazioni sul prodotto, alcune illustrazioni potrebbero essere differenti da quelle del prodotto reale.
- ♦ Consultare il proprio rivenditore ECHO per ulteriori chiarimenti.

## Produttore

**YAMABIKO CORPORATION**

**7-2 SUEHIROCHO 1-CHOME, OHME, TOKYO 198-8760, GIAPPONE**

## Rappresentante autorizzato in Europa

**Atlantic Bridge Limited**

**Atlantic House, PO Box 4800, Earley, Reading RG5 4GB, Regno Unito**



Per un uso sicuro del prodotto .....	4
Messaggi di avviso .....	4
Altri indicatori .....	4
Simboli .....	4
Posizione in cui è applicata la decalcomania .....	5
Gestione del prodotto .....	6
Contenuto della confezione .....	13
Descrizione .....	14
Prima di iniziare .....	15
Montaggio .....	15
Funzionamento .....	18
Avvio dell'unità .....	18
Arresto dell'unità .....	18
Taglio di siepi e arbusti .....	19
Funzionamento base del tagliasiepi .....	19
Manutenzione e cura .....	20
Guida alla manutenzione .....	20
Manutenzione e cura .....	20
Rimessaggio .....	23
Rimessaggio .....	23
Procedura di smaltimento .....	24
Caratteristiche tecniche .....	25
Dichiarazione di conformità .....	26

# Per un uso sicuro del prodotto

## Leggere questa sezione prima di utilizzare il prodotto.




○ Le precauzioni descritte in questa sezione contengono importanti informazioni per la sicurezza. Si raccomanda di seguirle scrupolosamente.

○ Leggere anche le precauzioni presenti all'interno del manuale.

Il testo seguito da un contrassegno [a forma di rombo] descrive le potenziali conseguenze che si potrebbero verificare in caso di mancata osservanza delle precauzioni.


## Messaggi di avviso

Situazioni in cui c'è il rischio di causare lesioni fisiche all'utente e ad altre persone sono indicate in questo manuale e sul prodotto, con le seguenti avvertenze. Leggerle e osservarle sempre per lavorare in condizioni di massima sicurezza.

 <b>PERICOLO</b>	 <b>AVVERTENZA</b>	 <b>ATTENZIONE</b>
Questo simbolo accompagnato dalla parola " <b>PERICOLO</b> " richiama l'attenzione su un'azione o una condizione che potrebbe causare infortuni gravi o la morte di utenti o di persone presenti.	Questo simbolo accompagnato dalla parola " <b>AVVERTENZA</b> " richiama l'attenzione su un'azione o una condizione che potrebbe causare lesioni gravi o la morte di utenti o di persone presenti.	" <b>ATTENZIONE</b> " indica una situazione potenzialmente pericolosa che, se non evitata, potrebbe causare lesioni minori o moderate.

## Altri indicatori

Oltre alle avvertenze, questo manuale utilizza i seguenti simboli esplicativi:






 Il cerchietto barrato sta ad indicare che quanto è illustrato è proibito.	<b>NOTA</b> Il messaggio qui riportato fornisce consigli per l'uso, la cura e la manutenzione del prodotto.	<b>IMPORTANTE</b> Il testo incorniciato, caratterizzato dalla parola " <b>IMPORTANTE</b> ", contiene informazioni importanti riguardo l'uso, il controllo, la manutenzione e il rimessaggio del prodotto descritto in questo manuale.
--	--	--

## Simboli

In questo manuale e sul prodotto sono riportati alcuni simboli esplicativi. Accertarsi di aver ben compreso il significato di tutti i simboli.

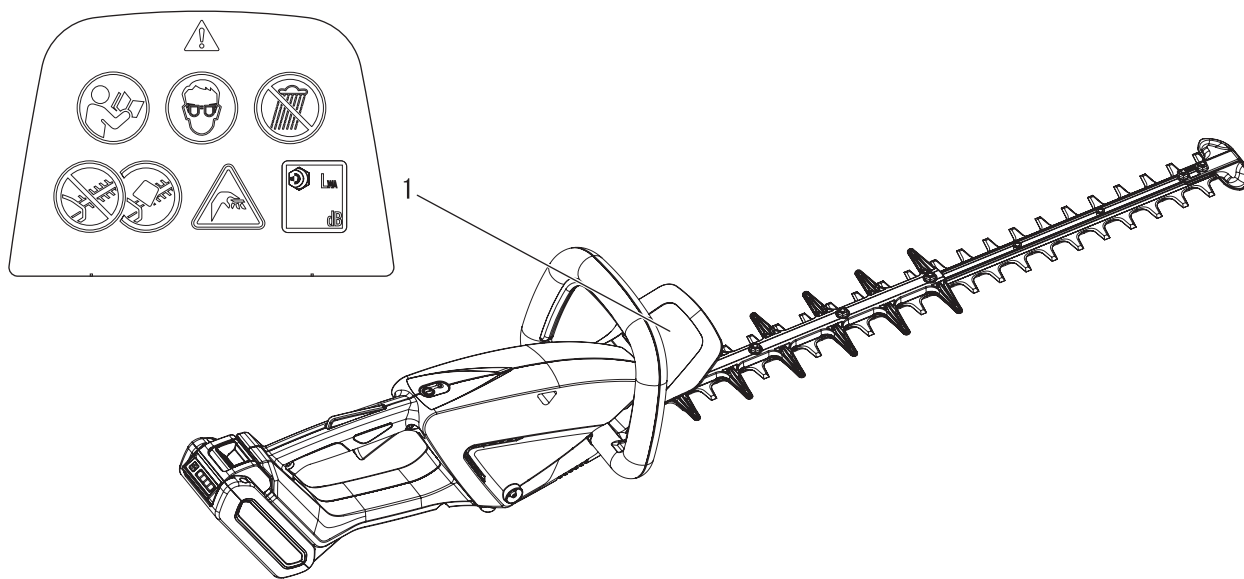
Forma del simbolo	Descrizione / applicazione del simbolo	Forma del simbolo	Descrizione / applicazione del simbolo
	Leggere attentamente il manuale per l'operatore		Indossare protezioni per gli occhi
	Protezione/allarme		Taglio delle dita
	Attenzione alle scosse elettriche		Prestare attenzione nelle aree ad alta temperatura
	Non utilizzare la macchina senza le protezioni installate		Non utilizzare mani sotto la pioggia o in ambienti umidi

# Per un uso sicuro del prodotto

Forma del simbolo	Descrizione / applicazione del simbolo	Forma del simbolo	Descrizione / applicazione del simbolo
	Livello di potenza acustica garantito		Protezione ambientale!
	Volt	 o DC	Corrente continua
	Cicli al minuto		

## Posizione in cui è applicata la decalcomania

- La decalcomania riportata sotto è stata applicata al prodotto descritto in questo manuale. Prima di utilizzare il prodotto accertarsi di aver compreso quanto riportato sulla decalcomania.
- Se la decalcomania diventa illeggibile a causa dell'usura, si strappa o si stacca e si perde, acquistarne una di ricambio presso il rivenditore e fissarla nel punto illustrato nella figura in basso. Accertarsi che la decalcomania sia sempre leggibile.



1. Decalcomania (Codice ricambio X505-008920)

# Per un uso sicuro del prodotto

## Gestione del prodotto

### Avvisi di sicurezza generici per gli utensili elettrici

#### **AVVERTENZA**

##### **Leggere tutti gli avvisi di sicurezza e le istruzioni.**

La mancata osservanza di avvisi e istruzioni può causare scosse elettriche, incendi e/o gravi infortuni.

##### **Conservare avvisi e istruzioni per un eventuale utilizzo futuro.**

Il termine "utensile elettrico", riportato negli avvisi, fa riferimento ad attrezzi alimentati mediante un cavo di alimentazione collegato alla rete elettrica, oppure ad attrezzi privi di cavo e alimentati a batteria.

##### **Sicurezza dell'area di lavoro**

- **L'area di lavoro deve essere pulita e ben illuminata.**
- ◆ Le aree di lavoro sporche o disordinate accrescono il rischio di incidenti.
- **Non utilizzare gli utensili elettrici in atmosfere esplosive, come gli ambienti saturi di liquidi, gas o polveri infiammabili.**
- ◆ Gli utensili elettrici generano scintille, che possono incendiare polveri o fumi infiammabili.
- **Tenere i bambini e le persone circostanti a distanza di sicurezza durante l'uso di un utensile elettrico.**
- ◆ Le distrazioni possono causare perdite di controllo dell'utensile.

##### **Sicurezza elettrica**

- **La spina di alimentazione dell'utensile elettrico deve corrispondere a quella della relativa presa di alimentazione. Non modificare mai la spina, in alcun modo. Non utilizzare alcun tipo di adattatore con gli utensili elettrici dotati di messa a terra (massa).**
- ◆ L'uso di spine e prese non modificate minimizza i rischi di scosse elettriche.
- **Evitare il contatto tra parti del corpo e superfici dotate di collegamento di messa a terra, come tubazioni, radiatori, fornelli e refrigeratori.**
- ◆ Il contatto tra parti del corpo e oggetti con collegamento di terra può accrescere il rischio di scosse elettriche.
- **Evitare di utilizzare gli utensili elettrici sotto la pioggia o in ambienti umidi.**
- ◆ L'acqua che penetra all'interno degli utensili elettrici accresce il rischio di scosse elettriche.
- **Evitare di sottoporre il cavo di alimentazione a sollecitazioni e stress meccanico. Non utilizzare il cavo di alimentazione per trascinare, tirare o scollegare l'utensile elettrico dalla presa di alimentazione. Tenere il cavo di alimentazione a distanza di sicurezza da fonti di calore, oli, bordi affilati o parti in movimento.**
- ◆ I cavi di alimentazione danneggiati o attorcigliati accrescono il rischio di scosse elettriche.
- **Durante l'utilizzo di un'utensile elettrico all'aperto, utilizzare cavi di prolunga adatti all'uso in ambienti esterni.**
- ◆ L'uso di cavo idoneo all'uso in ambienti esterni riduce il rischio di scosse elettriche.
- **Qualora fosse necessario utilizzare l'utensile elettrico in ambienti umidi, utilizzare una sorgente di alimentazione protetta da un interruttore automatico differenziale (GFCI).**
- ◆ L'uso di un interruttore GFCI riduce il rischio di scosse elettriche.

##### **Sicurezza personale**

- **Mantenersi sempre vigili, assicurandosi di avere sempre il controllo di ciò che si sta facendo, operando sempre in base a norme di buon senso e ragionevolezza nell'uso dell'utensile elettrico. Non azionare l'utensile elettrico in condizioni di stanchezza o sotto l'effetto di alcol, droghe o farmaci.**
- ◆ Durante l'uso degli utensili elettrici, basta un momento di distrazione per incorrere in gravi infortuni.
- **Utilizzare dotazioni di protezione personali adeguate. Indossare sempre protezioni per gli occhi.**
- ◆ Le attrezzature di protezione come mascherine antipolvere, scarponi con soles antiscivolo, elmetti di protezione o protezioni acustiche in base alle condizioni di lavoro specifiche, consente di ridurre il rischio di infortuni.
- **Prevenzione delle accensioni accidentali. Assicurarsi che l'interruttore sia sempre in posizione "OFF", prima di procedere al collegamento dell'utensile alla sorgente di alimentazione e/o prima di inserire il pacco batterie, nonché prima di sollevare o trasportare l'utensile.**
- ◆ Trasportare gli utensili elettrici mentre si tiene il dito sull'interruttore, oppure la pressione casuale e immotivata degli interruttori di accensione di utensili elettrici alimentati può causare incidenti.
- **Rimuovere qualunque chiave o attrezzo di regolazione prima di accendere l'utensile elettrico.**
- ◆ La presenza di chiavi o attrezzi collegati alle parti rotanti dell'utensile elettrico può causare gravi infortuni.
- **Non sporgersi. Mantenere sempre una postura di lavoro stabile e bilanciata.**
- ◆ Ciò garantirà un migliore controllo dell'utensile elettrico anche nelle situazioni impreviste.
- **Utilizzare indumenti di tipo corretto. Non indossare indumenti larghi o gioielli. Tenere capelli, indumenti e guanti a distanza di sicurezza dalle parti in movimento.**
- ◆ Indumenti larghi, gioielli, e capelli lunghi potrebbero restare impigliati tra le parti in movimento.
- **Se gli utensili sono dotati di attacchi per il collegamento a sistemi di estrazione e raccolta polveri, assicurarsi che tali accessori siano collegati e utilizzati correttamente.**
- ◆ L'uso di un sistema di raccolta polveri può ridurre i rischi associati all'inalazione di polveri.

L'intensità delle vibrazioni durante l'uso dell'utensile elettrico può variare rispetto al valore totale dichiarato. Tale intensità varia in base al modo in cui l'utensile viene adoperato. Pertanto, è necessario stabilire misure di sicurezza in grado di proteggere l'operatore che siano basate su una stima del livello di esposizione effettivo nelle condizioni di lavoro reali (tenendo anche in considerazione tutte le fasi del ciclo operativo, come gli intervalli di tempo durante i quali l'utensile è spento e quando questo è acceso ma non in uso, oltre al solo tempo di utilizzo netto).

# Per un uso sicuro del prodotto

## AVVERTENZA

### Utilizzo e cura dell'utensile elettrico

- **Evitare di utilizzare l'utensile elettrico sotto sforzo. Utilizzare sempre l'utensile elettrico adatto al tipo di operazione da effettuare.**
- ◆ L'uso di un utensile elettrico adeguato consentirà di eseguire il lavoro in maniera ottimale e in piena sicurezza, dato che questo funzionerà nelle condizioni ideali per le quali è stato progettato.
- **Non utilizzare l'utensile elettrico se l'interruttore di alimentazione è danneggiato.**
- ◆ Qualsiasi utensile elettrico che non può essere controllato costituisce un pericolo e pertanto l'utensile elettrico dovrà essere riparato al più presto possibile.
- **Scollegare la spina dalla presa di alimentazione e/o estrarre la batteria dall'alloggiamento, prima di effettuare qualunque tipo di regolazione, sostituire accessori o conservare gli utensili elettrici quando questi sono inutilizzati.**
- ◆ Tali misure preventive riducono il rischio di accensioni accidentali dell'utensile elettrico.
- **Gli utensili elettrici non utilizzati devono essere conservati lontano dalla portata dei bambini. È inoltre necessario evitare che l'utensile venga utilizzato da persone che non hanno familiarità con il suo utilizzo e con il presente manuale di istruzioni.**
- ◆ Gli utensili elettrici possono costituire un pericolo quando utilizzati da utenti non adeguatamente addestrati.
- **Manutenzione degli utensili elettrici. Ispezionare l'utensile elettrico per evidenziare eventuali disallineamenti o parti mobili deformate, danneggiate o qualunque altra condizione che possa influire sul corretto funzionamento dell'utensile elettrico. Gli utensili elettrici danneggiati devono essere riparati prima dell'uso.**
- ◆ Numerosi incidenti sono causati proprio dall'uso di utensili elettrici in cattivo stato di manutenzione.
- **Tenere gli attrezzi da taglio affilati e puliti.**
- ◆ Gli attrezzi da taglio tenuti in buono stato di manutenzione, con le lame correttamente affilate, sono meno propensi a piegarsi e sono quindi più facili da controllare.
- **Utilizzare gli utensili elettrici, accessori e punte in conformità con le istruzioni riportate in questo manuale, tenendo sempre in considerazione le condizioni operative e il tipo di lavoro da eseguire.**
- ◆ L'utilizzo di utensili elettrici per effettuare operazioni di tipo differente da quello per cui tali utensili sono progettati causa situazioni pericolose.

### Utilizzo e cura della batteria

- **Ricaricare solo utilizzando il caricabatterie specificato dal produttore.**
- ◆ Un caricabatterie indicato per un determinato tipo di batteria può causare incendi se utilizzato con batterie di tipo differenti.
- **Utilizzare gli utensili elettrici solo con batterie del tipo specificato.**
- ◆ L'uso di batterie di tipo differente può causare incendi e infortuni.
- **Quando il pacco batterie non viene utilizzato, tenerlo a distanza di sicurezza da oggetti metallici, come graffette, monete, chiavi, chiodi, viti o altri elementi metallici di piccole dimensioni, che potrebbero causare falsi contatti con i terminali della batteria.**
- ◆ Un eventuale contatto accidentale tra i due poli della batteria potrebbe causare ustioni e incendi.
- **In caso di utilizzi estremi, la batteria potrebbe essere soggetta perdite di liquido. In tal caso, di raccomanda di evitare il contatto con tale liquido. In caso di contatto accidentale con il liquido della batteria, risciacquare l'area interessata con acqua. In caso di contatto con gli occhi, risciacquare con acqua e consultare un medico.**
- ◆ Il liquido che fuoriesce dalla batteria può causare irritazioni e ustioni.

### Manutenzione

- **L'utensile elettrico deve essere riparato da un tecnico riparatore specializzato, utilizzando solo parti originali.**
- ◆ Ciò consente di garantire una corretta manutenzione dell'utensile elettrico.

## Avvertenze di sicurezza sull'uso del tagliasiepi

## AVVERTENZA

- **Tenere tutte le parti del corpo a distanza dalla lama da taglio. Non rimuovere i residui di taglio o tenere gli elementi da tagliare quando le lame sono in movimento. Assicurarsi che l'interruttore sia posizionato su OFF durante la rimozione delle eventuali ostruzioni e accumuli di residui di taglio.**
- ◆ Durante l'uso del tagliasiepi, basta un momento di distrazione per incorrere in gravi infortuni.
- **Durante il trasporto a mano del tagliasiepi, assicurarsi che la lama sia sempre spenta. Durante il trasporto o la conservazione del tagliasiepi assicurarsi sempre di installare il coprilama sulla lama.**
- ◆ L'uso di adeguate pratiche di movimentazione del tagliasiepi consente di minimizzare i rischi di infortuni causati dalle lame di taglio.
- **Durante l'uso, tenere l'utensile elettrico sempre e soltanto mediante le apposite impugnature isolate, in quando le lame di taglio possono venire a contatto con eventuali cavi nascosti.**
- ◆ L'eventuale contatto tra lame di taglio e cavi "in tensione", può esporre l'utensile elettrico a correnti elettriche, con il conseguente rischio di scosse elettriche per l'operatore.

# Per un uso sicuro del prodotto

## Precauzioni generali

### AVVERTENZA

#### Manuale per l'operatore

- Per un corretto funzionamento del prodotto, prima di utilizzarlo leggere attentamente il manuale per l'operatore.
- ◆ La mancata osservanza di queste precauzioni potrebbe causare un incidente o lesioni gravi.



#### Non utilizzare il prodotto per eseguire lavori diversi da quelli per cui è stato progettato

- Non utilizzare il prodotto per eseguire lavori diversi da quelli descritti nel manuale dell'operatore.
- ◆ La mancata osservanza di queste precauzioni potrebbe causare un incidente o lesioni gravi.

#### Non modificare il prodotto

- Non modificare il prodotto.
- ◆ La mancata osservanza di queste precauzioni potrebbe causare un incidente o lesioni gravi. Qualsiasi guasto causato da modifiche apportate al prodotto non sarà coperta dalla garanzia del produttore.

#### Non utilizzare il prodotto senza aver effettuato prima il controllo e la manutenzione

- Non utilizzare il prodotto senza aver effettuato prima il controllo e la manutenzione. Accertarsi sempre che il controllo e la manutenzione vengano eseguiti a scadenze regolari.
- ◆ La mancata osservanza di queste precauzioni potrebbe causare un incidente o lesioni gravi.

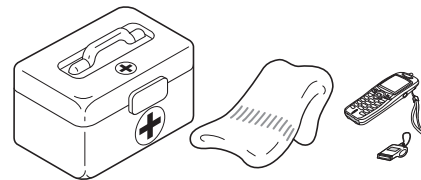
#### Prestito o cessione del prodotto

- In caso di prestito del prodotto, consegnare alla persona che lo riceve anche il manuale dell'operatore.
- Anche in caso di cessione, consegnare il prodotto insieme al manuale per l'operatore.
- ◆ La mancata osservanza di queste precauzioni potrebbe causare un incidente o lesioni gravi.

#### Essere pronti in caso di lesioni

Nell'improbabile evento di incidente o lesioni è consigliabile essere preparati.

- Cassetta di pronto soccorso
- Asciugamani e fazzoletti (per fermare eventuali emorragie)
- Fischiello o telefono cellulare (per chiedere aiuto)
- ◆ Se non si è in grado di effettuare un primo soccorso o chiedere aiuto, le lesioni potrebbero peggiorare.



## Precauzioni per l'uso

### PERICOLO

#### Avvio dell'unità

- Non provare mai ad avviare l'unità posizionandosi sul lato della lama.
- ◆ Un improvviso movimento delle lame potrebbe provocare lesioni fisiche.

#### Non rimuovere l'estensione smussata

- Non utilizzare il prodotto senza l'estensione smussata. Se è necessario rimuoverla per scopi manutentivi, consultare il proprio concessionario.
- ◆ La mancata osservanza delle istruzioni potrebbe comportare lesioni gravi.

#### Arrestare sempre l'unità quando le lame si inceppano

- Non cercare di rimuovere l'oggetto che ha provocato l'inceppamento delle lame quando l'unità è accesa.
- ◆ Eliminato l'inceppamento, le lame potrebbero riprendere improvvisamente a muoversi causando lesioni fisiche.

# Per un uso sicuro del prodotto

## AVVERTENZA

### Utenti del prodotto

Il prodotto non deve essere utilizzato da:

- persone stanche
- persone che hanno assunto bevande alcoliche
- persone sotto trattamento farmacologico
- persone in stato di gravidanza
- persone in condizioni fisiche precarie
- persone che non hanno letto il manuale dell'utente
- bambini

◆ La mancata osservanza di queste istruzioni potrebbe provocare incidenti.

- I componenti di questa macchina generano un campo elettromagnetico durante l'uso, e ciò potrebbe interferire con alcuni tipi di pacemaker. Per ridurre i rischi per la salute, consigliamo ai portatori di pacemaker di consultare il proprio medico e il produttore del pacemaker prima di utilizzare questo prodotto.



### Ambiente di utilizzo e funzionamento

- Non utilizzare il prodotto su terreni instabili, ad esempio con forti pendenze o dopo un acquazzone, oppure su terreni scivolosi e pericolosi.

◆ Cadute, scivolate o un uso non corretto del prodotto potrebbero causare lesioni gravi.

### Trasporto del prodotto

Durante il trasporto nelle situazioni descritte di seguito, spegnere l'unità e assicurarsi che le lame di taglio siano ferme, quindi installare la protezione coprilama. Evitare di trasportare l'unità quando il LED di alimentazione è illuminato.

- Spostamenti verso l'area in cui si sta lavorando
- Spostamenti verso un'altra area mentre si sta lavorando
- Abbandono dell'area in cui è stato eseguito il lavoro
- ◆ La mancata osservanza di queste precauzioni potrebbe causare gravi lesioni.
- Durante il trasporto dell'unità in automobile, installare la protezione coprilama e fissarla saldamente, per evitare spostamenti durante il tragitto.

### Vibrazioni e freddo

Si ritiene che la condizione definita fenomeno di Raynaud, che colpisce le dita di alcune persone, sia causata dall'esposizione alle vibrazioni e al freddo. L'esposizione al freddo e alle vibrazioni può causare formicolio e bruciore, seguiti da pallore e intorpidimento delle dita.

Dato che non si conosce il livello di esposizione minima che causa i disturbi, si consiglia vivamente di osservare le seguenti precauzioni.

- Tenere il corpo caldo, soprattutto testa, collo, piedi, caviglie, mani e polsi.
- Mantenere una buona circolazione del sangue facendo vigorosi esercizi con le braccia durante frequenti pause di lavoro.
- Limitare il numero di ore di impiego.  
Si consiglia di non lavorare con altre macchine a mano oltre al tagliasiipi nell'arco della stessa giornata.
- Se si accusano disagi e disturbi e se si riscontrano arrossamenti e gonfiore delle dita seguiti da pallore e perdita di sensibilità, rivolgersi al proprio medico prima di esporsi di nuovo al freddo e alle vibrazioni.
- ◆ La mancata osservanza di queste istruzioni potrebbe causare danni alla salute.

### Lesioni da sforzi ripetuti

Si ritiene che l'uso eccessivo dei muscoli e dei tendini di dita, mani, braccia e spalle possa causare dolore, gonfiore, intorpidimento, debolezza e fortissimi dolori nelle zone menzionate. Alcune attività manuali ripetitive possono essere causa di alto rischio per lo sviluppo di lesioni da sforzi ripetitivi.

Per ridurre il rischio di lesioni da sforzi ripetitivi:

- Evitare di usare il polso piegato, allungato o girato.
- Fare pause a intervalli regolari per ridurre al minimo i movimenti ripetuti e far riposare le mani. Ridurre la velocità e la forza con cui il movimento ripetitivo viene eseguito.
- Fare esercizi per rafforzare i muscoli delle mani e delle braccia.
- Consultare un medico se si avverte formicolio, intorpidimento o dolori nelle dita, nelle mani, nei polsi o nelle braccia. Una tempestiva diagnosi di lesioni da sforzi ripetitivi consente di evitare danni permanenti ai nervi e ai muscoli.
- ◆ La mancata osservanza di queste istruzioni potrebbe causare danni alla salute.

# Per un uso sicuro del prodotto

## AVVERTENZA

### Avvio dell'unità

Prestare particolare attenzione alle seguenti precauzioni quando si avvia l'unità:

- Accertarsi sempre che tutte le impugnature e le protezioni siano installate
- Controllare che non ci siano dadi o bulloni allentati
- Controllare che le lame non siano danneggiate o eccessivamente usurate. Se il prodotto evidenzia condizioni anormali, non utilizzarlo.
- Collocare il prodotto su una superficie piana e ben ventilata
- Lasciare sufficiente spazio intorno al prodotto e non permettere a persone o animali di avvicinarsi
- Rimuovere eventuali ostruzioni, se presenti
- Accertarsi che le lame non siano a contatto con il suolo o con altri ostacoli
- ◆ La mancata osservanza di queste precauzioni può provocare incidenti, lesioni o perfino la morte.

### Una volta avviata l'unità, assicurarsi che non ci siano vibrazioni e rumori anomali

- Quando l'unità è in funzione, assicurarsi che non ci siano vibrazioni o rumori anomali. Non utilizzare il prodotto se ci sono vibrazioni o rumori anomali. Contattare il rivenditore per la riparazione.
- ◆ Incidenti che provocano la caduta o la rottura di parti possono causare ferite o lesioni gravi.

### Non toccare i componenti ad alta temperatura o ad alta tensione mentre il prodotto è in moto

Non toccare i seguenti componenti ad alta temperatura o ad alta tensione mentre il prodotto è in moto o è stato appena spento.

- Componenti ad alta temperatura
  - ◆ Il contatto con componenti ad alta temperatura potrebbe causare ustioni.
- Componenti ad alto voltaggio
  - ◆ Il contatto con componenti ad alta tensione mentre il prodotto è in moto potrebbe causare scosse elettriche.



### Durante l'esecuzione di ispezioni o manutenzioni dell'unità, spegnere il motore

Osservare le seguenti precauzioni durante il controllo e la manutenzione del prodotto dopo l'uso:

- Spegnere l'unità ed eseguire il controllo o la manutenzione del prodotto solo dopo che il motore si è raffreddato
- ◆ L'esecuzione di interventi a motore caldo può causare ustioni.



# Per un uso sicuro del prodotto

## **⚠ AVVERTENZA**

### **Prima di iniziare a utilizzare l'unità rimuovere eventuali corpi estranei e ostruzioni**

- Ispezionare l'area in cui il prodotto deve essere utilizzato. Rimuovere pietre, oggetti metallici e altri oggetti che possono inceppare o danneggiare il taglia siepi.
- ◆ L'eventuale espulsione di corpi estranei dalla macchina può provocare incidenti o lesioni gravi.

### **In caso di imprevisti spegnere immediatamente l'unità**

Nelle seguenti situazioni, arrestare immediatamente l'unità e accertarsi che la barra di taglio sia ferma prima di procedere ad un'accurata ispezione di tutte le parti del prodotto. Sostituire le parti danneggiate.

- Se la barra di taglio urta contro una roccia, un albero, un palo o qualsiasi altra ostruzione mentre si sta lavorando.
- Se il prodotto comincia improvvisamente a vibrare in maniera anomala.
- ◆ Continuare a utilizzare parti danneggiate potrebbe provocare un incidente o lesioni gravi.

### **L'area nel raggio di 10 m deve essere considerata zona pericolosa**

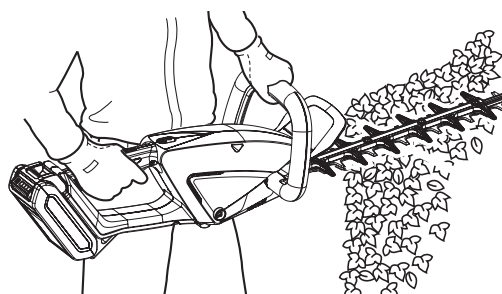
L'area nel raggio di 10 m dal prodotto deve essere considerata zona pericolosa. Osservare le seguenti precauzioni mentre si sta lavorando con il prodotto.

- Se nell'area di lavoro sono presenti altre persone, spegnere l'unità per arrestare le lame.
- Prima di avvicinarsi all'operatore, fargli un segnale, ad esempio gettando dei ramoscelli dall'esterno dell'area di pericolo; quindi, assicurarsi che l'unità sia spenta che le lame si siano arrestate.
- Non permettere a nessuno di mantenere fermo il materiale che si sta tagliando.

- ◆ Qualsiasi contatto con le lame può causare lesioni gravi.

### **Non utilizzare il taglia siepi con una sola mano**

- Quando l'unità è in funzione, mantenere entrambe le mani sulle impugnature. Non utilizzare mai il taglia siepi con una sola mano.
- Mantenere saldamente il taglia siepi con entrambe le mani, una sull'impugnatura anteriore e l'altra sull'impugnatura posteriore.
- I pollici e le altre dita devono avere una buona presa e afferrare bene le impugnature.
- Non togliere mai le mani dal prodotto mentre le lame sono in movimento.
- ◆ La mancata osservanza di queste istruzioni potrebbe causare un controllo instabile del taglia siepi con conseguenti lesioni gravi.



### **Prima di poggiare il prodotto a terra accertarsi che le lame siano ferme**

- Dopo lo spegnimento, assicurarsi che le lame siano ferme, prima di abbassare il prodotto a terra.
- ◆ Anche se il motore è stato spento, le lame possono ancora provocare lesioni durante la fase di rotazione che precede l'arresto finale.

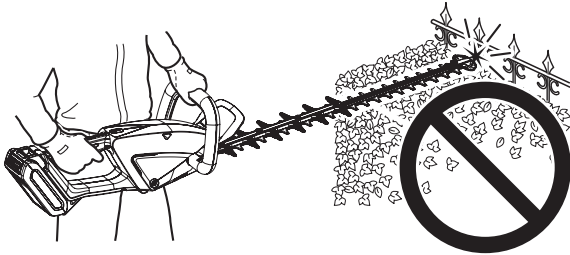


# Per un uso sicuro del prodotto

## AVVERTENZA

### Non utilizzare il prodotto per tagliare oggetti duri

- Non utilizzare il prodotto per tagliare oggetti duri come fili o piastre di acciaio.
- Se le lame colpiscono un oggetto, oppure non funzionano correttamente, arrestare il motore e ispezionarle per verificare che non siano danneggiate.
- ◆ La mancata osservanza di queste istruzioni potrebbe provocare la rottura del prodotto o incidenti.



### Non utilizzare mai il prodotto su una scala o su uno sgabello

- Non sporgersi né sostare su superfici instabili.
- Non utilizzare il prodotto in cima a una scala o su uno sgabello.
- ◆ La mancata osservanza di queste precauzioni potrebbe causare incidenti o lesioni gravi.

## Indumenti protettivi

## AVVERTENZA

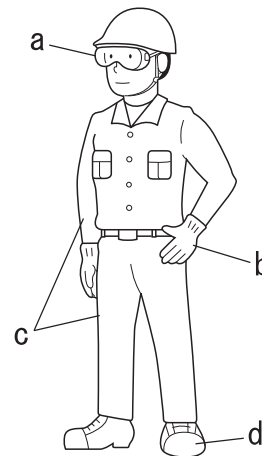
### Indossare indumenti protettivi

Indossare sempre i seguenti indumenti protettivi durante il lavoro con il taglia siepi.

- a **Occhiali di protezione:** Protezione per gli occhi
  - b **Guanti protettivi:** Proteggono le mani dal freddo e dalle vibrazioni
  - c **Indumenti aderenti (maniche lunghe, pantaloni lunghi):** Protezione per il corpo
  - d **Scarpe robuste o stivali:** Protezione per i piedi
- ◆ La mancata osservanza di queste precauzioni potrebbe causare danni alla vista o all'udito o lesioni gravi.

Se necessario, utilizzare anche i seguenti indumenti protettivi.

- **Casco (elmetto):** Protezione per la testa
- **Protezioni acustiche o tappi per le orecchie:** Protezione per le orecchie
- **Respiratore:** Protezione per l'apparato respiratorio
- **Rete antiapi:** Protezione antinsetti



### Indossare indumenti idonei

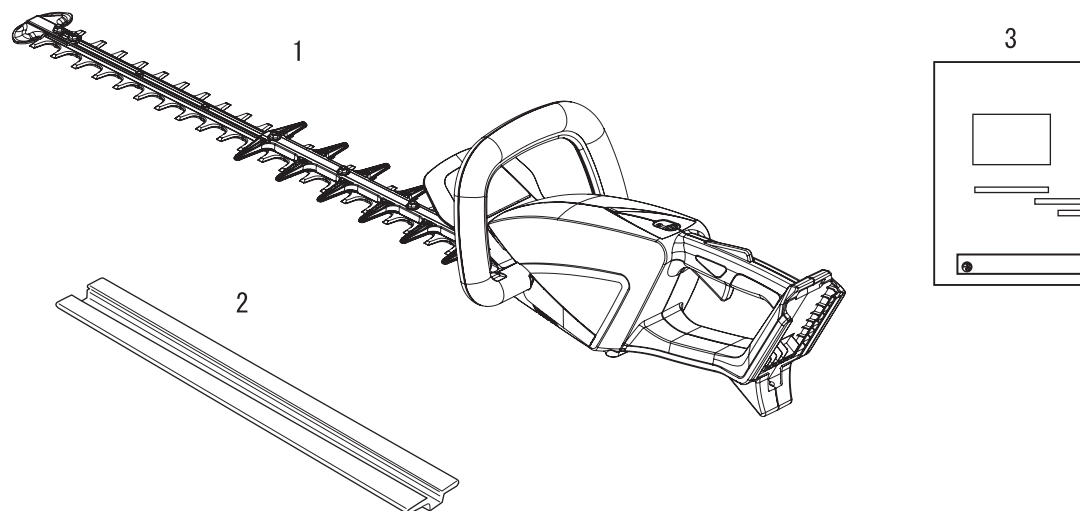
Non indossare cravatte, gioielli o vestiti poco aderenti che potrebbero restare impigliati nella macchina. Non indossare calzature aperte, non lavorare a piedi nudi o a gambe nude.

- ◆ La mancata osservanza di queste precauzioni potrebbe causare incidenti o lesioni gravi.

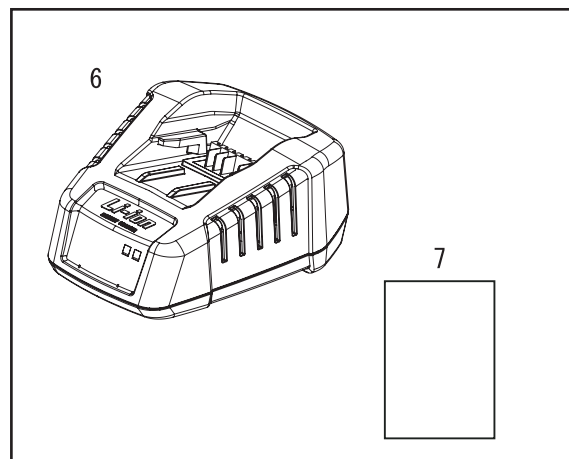
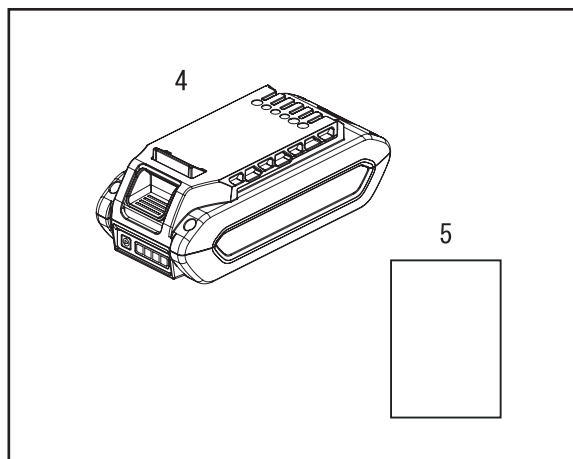


# Contenuto della confezione

- ♦ Le seguenti parti sono state imballate separatamente nella confezione.
- ♦ Dopo aver aperto la confezione, controllare che tutte le parti siano presenti.
- ♦ In caso di parti mancanti o danneggiate, contattare il rivenditore.

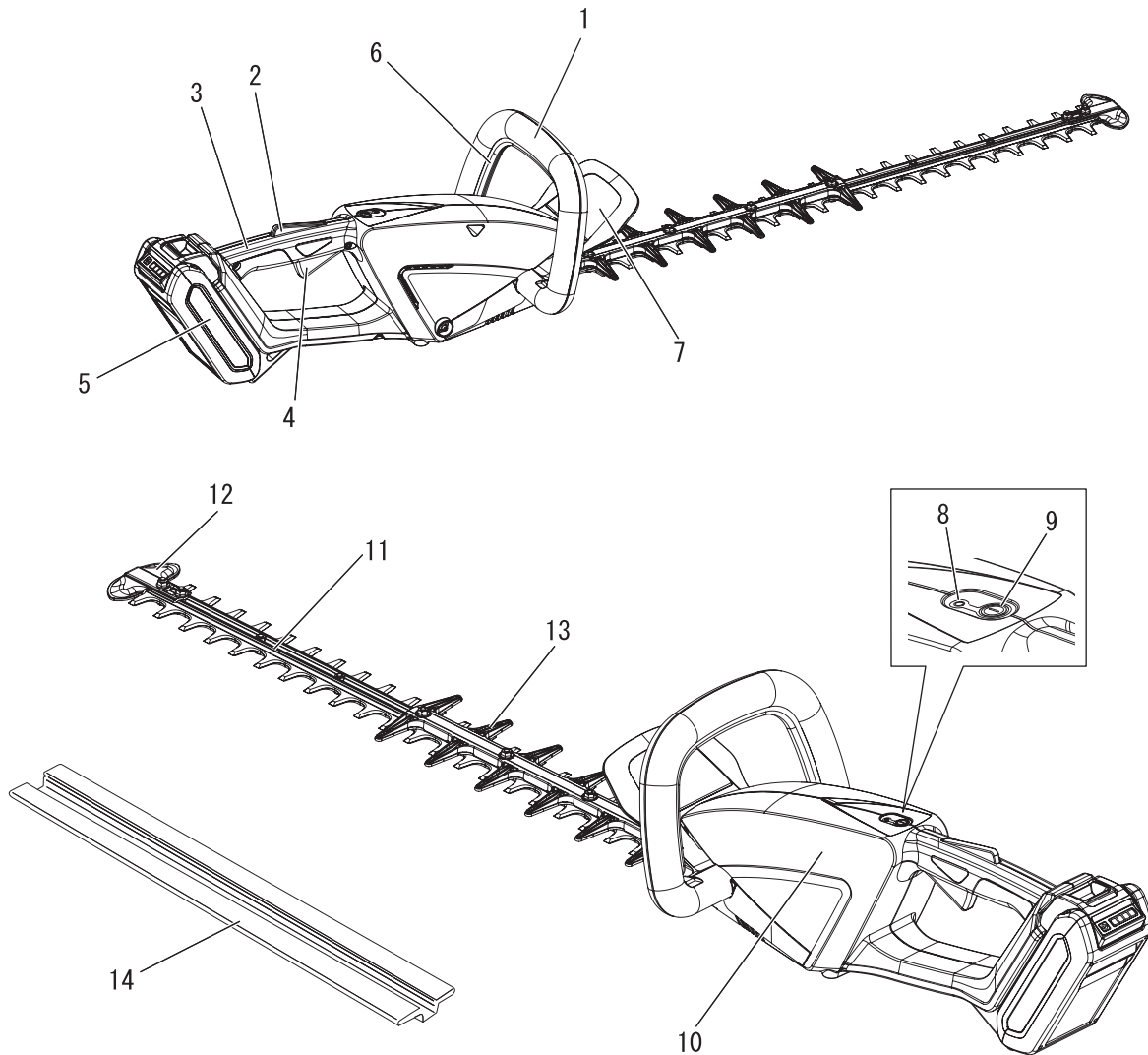


Numero	Nome parte	Quantità
(1)	Tagliasiepi	1
(2)	Protezione copilama	1
(3)	Manuale per l'operatore	1



Numero	Nome parte	Quantità
(4)	Pacco batterie	1
(5)	Manuale per l'operatore	1
(6)	Caricabatterie	1
(7)	Manuale per l'operatore	1

# Descrizione



1. **Impugnatura anteriore** L'impugnatura situata sulla barra di taglio.
2. **Fermo interruttore a grilletto** Blocca l'interruttore a grilletto in posizione "OFF" fino a quando la mano destra non afferra saldamente l'impugnatura.
3. **Impugnatura posteriore** L'impugnatura più lontana dalla barra di taglio.
4. **Interruttore a grilletto** Azionato dal dito dell'operatore per attivare il motore.
5. **Pacco batterie**
6. **Interruttore di interblocco** Arresta il taglia siepi quando si rilascia l'impugnatura anteriore.
7. **Protezione** Protezione tra l'impugnatura anteriore e la barra di taglio per evitare ferite alla mano se questa dovesse scivolare dall'impugnatura.

8. **LED di alimentazione** Il LED resta illuminato quando l'unità è alimentata. Il LED si spegne quando l'unità viene spenta.
9. **Pulsante di accensione** Premere una volta per accendere l'unità. Il LED di alimentazione si illumina. Premere nuovamente il pulsante per spegnere l'unità. Il LED di alimentazione si spegne.
10. **Unità motore**
11. **Barra di taglio** Gruppo composto dalla lama e dalla piastra di taglio che, congiuntamente ad altre parti di supporto, esegue il taglio.
12. **Protezione paralama** Protegge le lame da usura e danni causati dall'urto con fondamenta, pareti o scavi del terreno, prolungando la durata delle lame.
13. **Estensione smussata** Un'estensione smussata posta sulla barra di taglio.
14. **Protezione coprilama** Prima di trasportare o immagazzinare il prodotto, applicare sempre il coprilama.

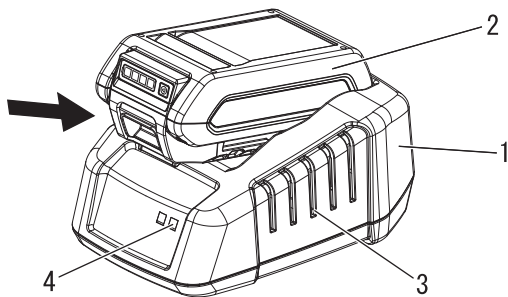
## Montaggio Carica della batteria

### AVVERTENZA

- Utilizzare sempre batterie di tipo LBP-560-100/LBP-560-200 e ricaricare solo con il caricabatterie LCJQ-560.
- Tenere il caricabatterie e la batteria lontane da umidità e liquidi.
- Non azionare il caricabatterie su una superficie facilmente infiammabile (ad es. carta, tessuti) o in un ambiente ad alto rischio di incendio.
- Non coprire il caricabatterie. Se viene coperto, il caricabatterie non sarà in grado di raffreddarsi.
- Non utilizzare il caricabatterie in atmosfere esplosive, come ambienti saturi di liquidi, gas o polveri infiammabili. I caricabatterie possono generare scintille, che possono infiammare polveri o fumi, con il conseguente rischio di esplosioni.
- Collegare il caricabatterie al tipo di alimentazione di rete e alla frequenza di rete indicate sulla targhetta delle specifiche.
- Collegare il caricabatterie solo a una presa a muro facilmente accessibile.
- Non inserire mai oggetti nelle fessure di raffreddamento del pacco batterie o del caricabatterie.
- Non caricare o utilizzare un pacco batterie o un caricabatterie difettoso, danneggiato o deformato.
- Non aprire, danneggiare o far cadere il pacco batterie o il caricabatterie.
- Se la batteria è danneggiata o viene utilizzata in modo improprio, potrebbe fuoriuscire del liquido; evitare il contatto con la pelle. In caso di contatto accidentale, sciacquare abbondantemente le aree della pelle interessate con acqua e sapone. In caso di contatto del liquido con gli occhi, non strofinare. Sciacquare abbondantemente gli occhi con acqua per almeno 15 minuti. Richiedere inoltre assistenza medica.
- Non ponticellare (cortocircuitare) i contatti del pacco batteria o i terminali del caricabatterie con oggetti metallici.
- Proteggere dai raggi diretti del sole, calore e fiamme aperte e non gettare mai le batterie nel fuoco; vi è rischio di esplosione.
- In presenza di fumo o incendio nel caricabatterie, scollegarlo immediatamente dalla presa a muro.
- Se il cavo di alimentazione è danneggiato, scollegarlo immediatamente dalla presa, per evitare il rischio di scosse elettriche.
- Non esporre il pacco batterie a microonde o alta pressione.
- Proteggere l'unità da eventuali avviamenti non intenzionali. Rimuovere il pacco batterie dall'unità prima dell'eventuale trasporto o stoccaggio dell'unità. Non utilizzare contenitori metallici per il trasporto delle batterie.
- Al fine di ridurre il rischio di inciampare, posizionare e marcare il cavo di alimentazione in modo tale che non possa essere danneggiato o che costituisca un rischio per gli altri.

### NOTA

- La batteria viene fornita già parzialmente carica quando l'unità viene spedita dalla fabbrica e deve pertanto essere caricata completamente prima dell'uso.
- Ricaricare la batteria quando questa non è più in grado di generare una potenza sufficiente a far funzionare l'unità, oppure quando la spia della batteria indica una bassa carica residua.



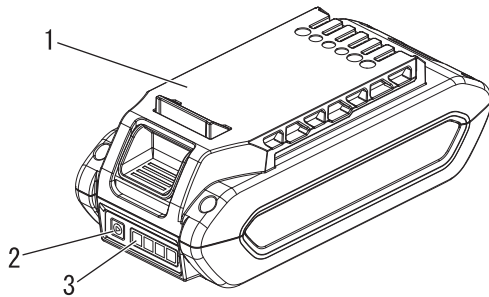
- 1. Caricabatterie
- 2. Batteria
- 3. Griglie di raffreddamento
- 4. LED del caricabatterie

1. Inserire il cavo di alimentazione CA del caricabatterie in una presa di rete.
2. Allineare i bordi della batteria con le scanalature del caricabatterie e quindi inserire la batteria all'interno del caricabatterie.
3. Durante le normali fasi di ricarica, il LED del caricabatterie, emetterà un lampeggio continuo di colore VERDE.

### IMPORTANTE

- Se il caricabatterie rileva un problema, il LED emette un lampeggio di colore rosso. In tal caso, rimuovere la batteria dal caricabatterie, eliminare le eventuali ostruzioni dai contatti e reinstallare la batteria nel caricabatterie. Se la batteria sta operando fuori dai limiti di temperatura (da 0 °C a 60 °C), il LED continuerà ad emettere il lampeggio ROSSO.

# Prima di iniziare



1. Batteria  
2. Pulsante dello stato di carica della batteria  
3. Indicatore a LED

- Una volta completata la ricarica, il LED emette una luce VERDE fissa.
  - \* Un pacco batterie completamente scarico può essere ricaricato in circa 42 minuti. (LBP-560-100)
  - \* Un pacco batterie completamente scarico può essere ricaricato in circa 88 minuti. (LBP-560-200)
- Assicurarsi che la batteria sia interamente carica, rimuovendola dal caricabatterie e quindi premendo il pulsante di misurazione dello stato di carica della batteria, e verificando lo stato sul relativo indicatore a LED.
  - ♦ 1 luce verde indica che la batteria ha una carica residua del 0-25%.
  - ♦ 2 luci verdi indicano che la batteria ha una carica residua del 25-50%.
  - ♦ 3 luci verdi indicano che la batteria ha una carica residua del 50-75%.
  - ♦ 4 luci verdi indicano che la batteria ha una carica residua del 75-100%.
- Scollegare il caricabatterie dall'alimentazione di rete.

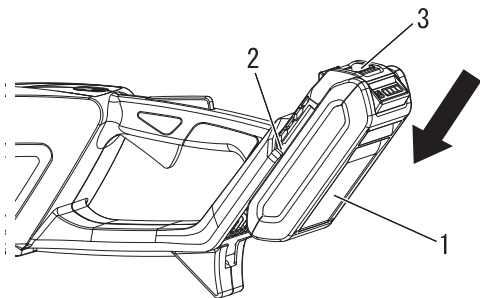
## Fissaggio e rimozione della batteria

### AVVERTENZA

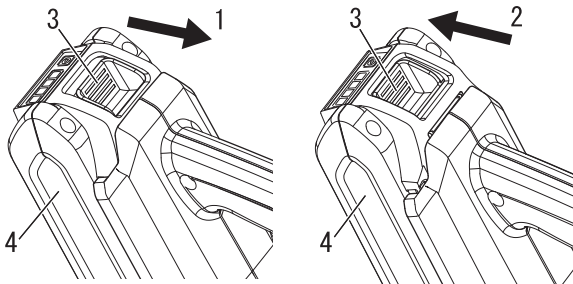
- Il tagliasepi è in funzione quando la batteria è inserita, il LED di alimentazione è acceso e l'interruttore a grilletto, il fermo dell'interruttore e grilletto e l'interruttore di interblocco sono attivati. Assicurarsi che il tagliasepi sia posizionato correttamente, per evitare di perdere il controllo e scongiurare il rischio di gravi infortuni. Mantenere le parti mobili dell'accessorio sollevate da terra e lontano da oggetti che potrebbero restare impigliati nella macchina.

### NOTA

- ♦ La batteria viene fornita già parzialmente carica quando l'unità viene spedita dalla fabbrica e deve pertanto essere caricata completamente prima dell'uso.



1. Batteria  
2. Bordo  
3. Fermo del pacco batterie



1. Posizione corretta  
2. Posizione non corretta  
3. Fermo del pacco batterie  
4. Pacco batterie

### Inserimento della batteria

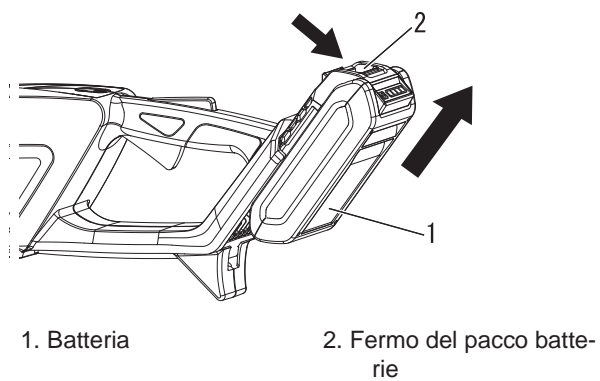
- Assicurarsi che l'unità sia disalimentata.
- Allineare i bordi della batteria con la scanalatura presente sul tagliasepi. Quindi, inserire la batteria fino a quando il fermo scatta in posizione.

### IMPORTANTE

Prima di utilizzare il tagliasepi, assicurarsi che la batteria sia inserita correttamente, con il fermo saldamente fissato nella posizione di blocco.

### NOTA

- ♦ Il fermo della batteria è in posizione di blocco quando questo appare correttamente inserito nella sua sede.



## Rimozione della batteria

1. Per rimuovere la batteria, premere il fermo e far scorrere la batteria, estraendola dal corpo del tagliaerba.

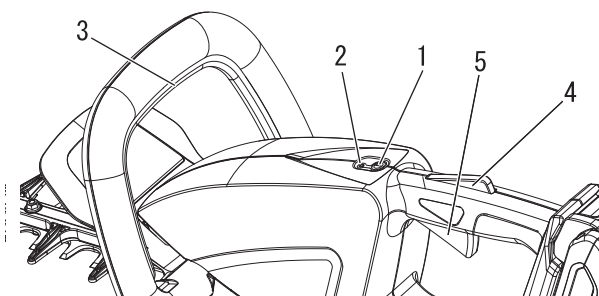
# Funzionamento

## Avvio dell'unità

### AVVERTENZA

○ Durante l'avvio dell'unità, osservare tutte le precauzioni indicate a Pagina 4 nella sezione "Per un uso sicuro del prodotto". Ciò serve a garantire che il prodotto venga utilizzato correttamente.

◆ La mancata osservanza di queste precauzioni può provocare incidenti, lesioni o perfino la morte.



- 1. Pulsante di accensione
- 2. LED di alimentazione
- 3. Interruttore interblocco
- 4. Fermo dell'interruttore a grilletto
- 5. Interruttore a grilletto

1. Rimuovere la protezione coprilama.
2. Premere il pulsante di accensione una volta, per accendere l'unità.

### NOTA

◆ Il LED di alimentazione resta illuminato quando l'unità è accesa.

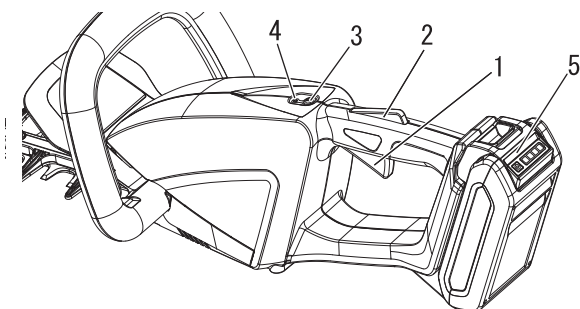
3. Tenere il tagliasepi con entrambe le mani. L'interruttore di interblocco posto sull'impugnatura anteriore deve essere attivato, affinché il tagliasepi sia in grado di funzionare e/o continuare a funzionare.
4. Tenere premuto il fermo dell'interruttore a grilletto e premere l'interruttore a grilletto per aumentare la velocità della lama.

### IMPORTANTE

Quando l'unità è accesa:

- ◆ Dopo un minuto di inutilizzo l'unità si spegnerà automaticamente.
- ◆ Se il LED rimane acceso, il funzionamento è normale.
- ◆ Se il LED lampeggia una volta al secondo, è necessario sostituire la batteria.
- ◆ Se il LED lampeggia quattro volte al secondo, significa che l'unità è guasta. Disalimentare l'unità. Rimuovere la batteria. Eliminare i residui presenti attorno alle lame. Reinstallare la batteria. Rialimentare l'unità. Se il LED continua a lampeggiare, recarsi presso un centro di assistenza autorizzato per far riparare il prodotto.

## Arresto dell'unità



- 1. Interruttore a grilletto
- 2. Fermo dell'interruttore a grilletto
- 3. Pulsante di accensione
- 4. LED di alimentazione
- 5. Batteria

1. Rilasciare l'interruttore a grilletto e il fermo dell'interruttore a grilletto, per arrestare la rotazione delle lame.
2. Premere il pulsante di accensione, per spegnere l'unità.

### NOTA

◆ Il LED di alimentazione resta spento quando l'unità è spenta.

- \* Se la pressione del pulsante non consente di arrestare il tagliasepi, rimuovere la batteria per disalimentare l'unità. Quindi, portare l'unità presso un centro di assistenza autorizzato ECHO per far riparare il pulsante di accensione, prima di utilizzare nuovamente il tagliasepi. Se le lame non si arrestano quando l'interruttore a grilletto, il fermo dell'interruttore a grilletto e l'interruttore di interblocco vengono rilasciati, rimuovere la batteria per disalimentare il tagliasepi. Quindi, portare l'unità presso un centro di assistenza autorizzato ECHO per far eseguire le necessarie riparazioni, prima di utilizzarla nuovamente.

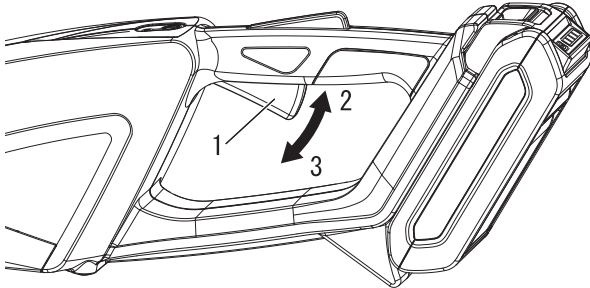


# Taglio di siepi e arbusti

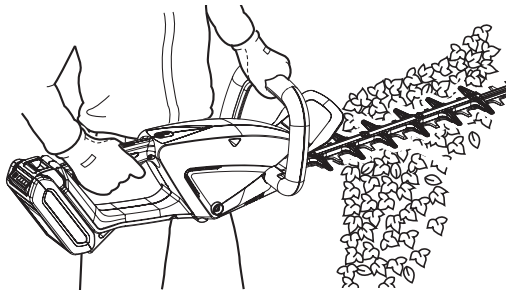
## Funzionamento base del taglia siepi

### NOTA

- ♦ Questo prodotto è stato progettato per il taglio di arbusti e siepi che abbiano rami con una larghezza massima di 6 mm.



1. Interruttore a grilletto      3. Arresto  
2. Regime elevato



- ♦ La pressione dell'interruttore a grilletto causa l'azionamento delle lame di taglio. Regolare il regime di funzionamento in base, ad esempio, alla quantità di siepe da tagliare.
- ♦ Eseguire il lavoro di taglio mantenendo le lame lontane dal corpo. Non orientare le lame verso il proprio corpo e mantenerle il più possibile lontane.
- ♦ Durante il taglio dei bordi superiori di siepi o arbusti, muovere le lame da un lato all'altro. È possibile ottenere un taglio pulito e ordinato muovendo le lame leggermente inclinate.
- ♦ Durante il taglio dei bordi laterali di una siepe, per ottenere un taglio pulito e ordinato, muovere le lame dal basso verso l'alto.
- ♦ Non premere le lame contro oggetti come gli alberi. Utilizzare l'attrezzo adattandolo al movimento e alla velocità delle lame.

# Manutenzione e cura

## Guida alla manutenzione

Parte	Manutenzione	Pagina	Prima dell'uso	Mensilmente
Batteria	Ispezionare / pulire / caricare	15	•	
Carter ingranaggi	Aggiungere del grasso	21	• (15-20 h)	
Lame	Ispezionare/pulire/lubrificare	20	•	
Viti, bulloni e dadi	Ispezionare/serrare/sostituire	-	•	

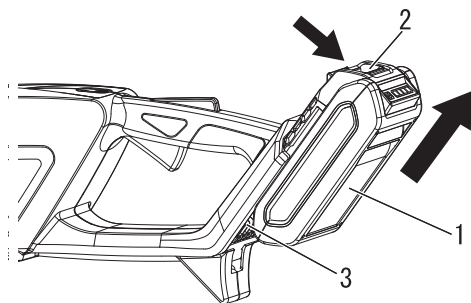
## IMPORTANTE

Gli intervalli di tempo indicati sono quelli massimi. L'uso effettivo e l'esperienza dell'utente determineranno la frequenza degli interventi di manutenzione. Registrare le date delle ispezioni mensili e annuali.

## Manutenzione e cura

In caso di dubbi o problemi, contattare il rivenditore.

### Pulitura della batteria e dello scomparto batterie



- 1. Batteria
- 2. Fermo del pacco batterie
- 3. Scomparto batterie

### ⚠ AVVERTENZA

○ **Rischio di scosse elettriche o incendio. Non utilizzare materiali conduttivi per pulire la batteria o lo scomparto batterie.**

1. Rilasciare l'interruttore a grilletto e il fermo dell'interruttore a grilletto, per arrestare la testa di taglio.
2. Assicurarsi che il LED di alimentazione non sia illuminato.
3. Premere il pulsante di sgancio della batteria e quindi estrarre la batteria dal corpo della testa.
4. Utilizzare aria compressa o una spazzola a setole morbide per rimuovere gli eventuali residui presenti sulla batteria e nello scomparto batteria.

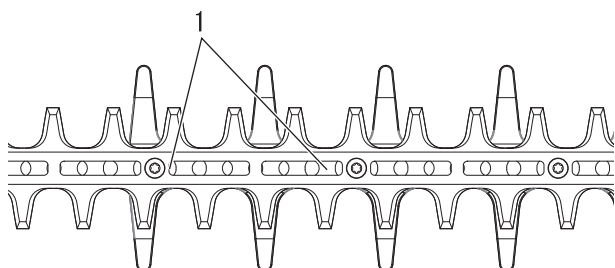
## Manutenzione delle lame

### ⚠ ATTENZIONE

- **Indossare i guanti per proteggere le mani dalle lame taglienti.**
- ◆ La mancata osservanza di queste istruzioni potrebbe causare lesioni.

### Lubrificazione delle lame (ogni 4 ore di funzionamento)

Applicare poche gocce di olio in ciascuna delle fessure dei bulloni, sul lato inferiore delle lame.



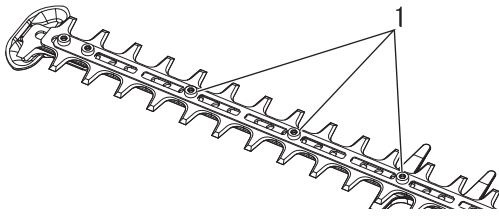
- 1. Fessure per i bulloni

### Pulizia delle lame (dopo ogni uso)

Rimuovere i residui gommosi dalle lame utilizzando una miscela 50 : 50 di cherosene (paraffina) e olio per macchine.

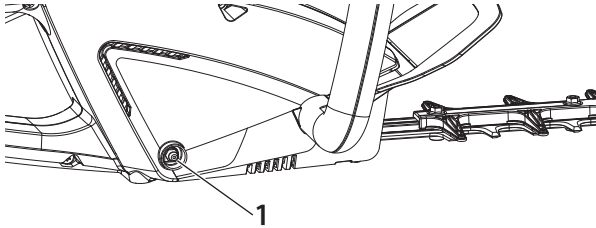
## Regolazione della lama

Le lame standard non richiedono regolazioni periodiche. Accertarsi che tutti i bulloni delle lame siano serrati e in buone condizioni.



1. Bullone a collare

## Lubrificazione del carter degli ingranaggi



1. Raccordo di ingrassaggio

### Utensili necessari:

ingrassatore a siringa, panno.

### Parti necessarie:

Grasso al litio.

1. Pulire il raccordo di ingrassaggio.
2. Mantenere il prodotto fermo e pompare delicatamente il grasso attraverso il raccordo. Non forzare il pompaggio del grasso. Un'eccessiva pressione potrebbe causare una fuoriuscita del grasso dalle guarnizioni di tenuta provocando danni al prodotto. **Applicare 1 - 2 pompaggi di grasso ogni 15 - 20 ore di funzionamento.**

## NOTA

Usare grasso multiuso al litio di buona qualità.

# Manutenzione e cura

## Problemi tecnici

Problema	Causa	Soluzione
La spia rossa del caricabatterie lampeggia oppure non si illumina	<ul style="list-style-type: none"> <li>♦ Spina non collegata alla presa muro</li> <li>♦ Pacco batterie non installato correttamente</li> <li>♦ Collegamento ostruito</li> <li>♦ Anomalia nel caricabatterie</li> <li>♦ Anomalia nel pacco batterie</li> </ul>	<ul style="list-style-type: none"> <li>♦ Collegare il caricabatterie all'alimentazione</li> <li>♦ Controllare l'installazione del pacco batterie</li> <li>♦ Reinstallare il pacco batterie dopo aver rimosso le ostruzioni dal collegamento</li> <li>♦ Consultare il proprio rivenditore ECHO</li> <li>♦ Consultare il proprio rivenditore ECHO</li> </ul>
L'unità non si accende	<ul style="list-style-type: none"> <li>♦ Pacco batterie non installato correttamente</li> </ul>	<ul style="list-style-type: none"> <li>♦ Controllare l'installazione del pacco batterie</li> </ul>
L'unità non funziona dopo l'accensione	<ul style="list-style-type: none"> <li>♦ Pacco batterie scarico</li> <li>♦ Le lame sono ostruite</li> <li>♦ La temperatura del pacco batterie è superiore ai valori considerati accettabili</li> <li>♦ Lame inceppate</li> </ul>	<ul style="list-style-type: none"> <li>♦ Caricare il pacco batterie</li> <li>♦ Spegnerne l'unità; rimuovere la batteria e rimuovere l'ostruzione dalle lame</li> <li>♦ Rimuovere il pacco batterie e farlo raffreddare</li> <li>♦ Rimuovere i detriti presenti sulle lame e lubrificare il gruppo lame</li> </ul>
Tempo di funzionamento troppo breve	<ul style="list-style-type: none"> <li>♦ La temperatura del pacco batterie è superiore ai valori considerati accettabili</li> <li>♦ I componenti elettronici sono surriscaldati</li> <li>♦ Pacco batterie scarico</li> <li>♦ Le lame sono danneggiate</li> </ul>	<ul style="list-style-type: none"> <li>♦ Rimuovere il pacco batterie e farlo raffreddare</li> <li>♦ Spegnerne l'unità e attendere che si raffreddi</li> <li>♦ Caricare il pacco batterie</li> <li>♦ Consultare il proprio rivenditore ECHO</li> </ul>
L'unità vibra eccessivamente	<ul style="list-style-type: none"> <li>♦ È presente un guasto nei componenti interni</li> </ul>	<ul style="list-style-type: none"> <li>♦ Consultare il proprio rivenditore ECHO</li> </ul>

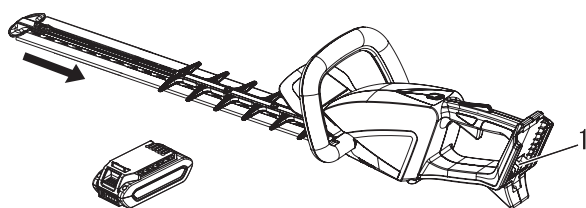
- ♦ Il controllo e la manutenzione richiedono competenze specialistiche. In caso di problemi o difficoltà durante il controllo o la manutenzione del prodotto o la riparazione in caso di guasto, consultare il proprio rivenditore. Non tentare di smontare il prodotto.
- ♦ In caso di problemi non menzionati nella tabella consultare il proprio rivenditore.
- ♦ Per i pezzi di ricambio e gli articoli di consumo, utilizzare solo parti originali, prodotti e componenti raccomandati. L'utilizzo di ricambi di altri produttori o componenti non raccomandati potrebbe provocare guasti.

## Rimessaggio

### **AVVERTENZA**

**Non stoccare in un contenitore in cui potrebbero accumularsi fumi infiammabile.**  
Questo potrebbe provocare un incendio.

Quando si conserva il prodotto per un lungo periodo, assicurarsi di effettuare le seguenti operazioni di preparazione.



1. Scomparto batterie

### **Tagliasiepi**

Evitare di tenere l'unità inutilizzata per lunghi periodi di tempo senza eseguire le operazioni di manutenzione protettive per il rimessaggio, che includono quanto segue:

1. Spegner l'unità.
2. Rimuovere la batteria dal tagliasiepi.
3. Rimuovere eventuali accumuli di sporco e detriti dalle parti esterne dell'unità.
4. Serrare tutte le viti e i dadi.
5. Reinstallare la protezione coprilama.
6. Coprire lo scomparto batteria del tagliasiepi.
7. Conservare l'unità in un luogo asciutto e privo di polvere, lontano dalla portata dei bambini.

### **Batteria**

1. Rimuovere la batteria dal tagliasiepi.
2. Conservare in un luogo asciutto e privo di polvere, lontano dalla portata dei bambini.
3. Conservare a temperature comprese tra -20 °C (-4 °F) e 60 °C (140 °F).
4. Se la batteria deve restare inutilizzata per oltre un anno, ricaricarla fino al 40% - 60% della capacità.

### **Caricabatterie**

1. Rimuovere la batteria dal caricabatterie.
2. Scollegare il caricabatterie dall'alimentazione di rete.
3. Conservare in un luogo asciutto e privo di polvere, lontano dalla portata dei bambini.

# Procedura di smaltimento

---



- ♦ I componenti principali di plastica del prodotto presentano dei codici che indicano i materiali che li costituiscono. I codici fanno riferimento ai seguenti materiali; smaltire questi componenti di plastica in conformità alla legislazione locale.

Contrassegno	Materiale
>PA6-GF<	Nylon 6 - Fibra di vetro
>PP-GF<	Polipropilene - Fibra di vetro
>PE-HD<	Polietilene

- ♦ La batteria contiene litio. Eseguire lo smaltimento soltanto presso uno dei punti di raccolta designati.
- ♦ Le batterie agli ioni di litio devono essere riciclate o smaltite correttamente.
- ♦ Contattare il concessionario ECHO di fiducia, se non si è a conoscenza delle modalità di smaltimento o riciclaggio dei componenti di plastica.

# Caratteristiche tecniche

		DHC-200
<b>Massa:</b>		
senza batteria	kg	3,3
con batteria	kg	4,3
<b>Barra di taglio:</b>		
Tipo		Doppia azione, taglio doppio
Lunghezza di taglio	mm	624
Passo	mm	30
Altezza	mm	20
<b>Rapporto ingranaggi e lubrificazione</b>		12,2 riduzione e grasso al litio di buona qualità
<b>Dimensioni esterne:</b> lunghezza x larghezza x altezza (con batteria)	mm	1196 x 232 x 197
<b>Batteria:</b>		
Tipo		Ioni di litio
Pacco in tensione	V	56 (nominale 50,4)
Tipo caricabatterie		CCCV
Tensione di ingresso caricabatterie	V	230 - 240 CA
<b>Spie del caricabatterie:</b>		LED Rosso: la temperatura della batteria ha superato i valori di temperatura prestabiliti LED Rosso lampeggiante: malfunzionamento LED Verde: ricarica batteria completata LED Verde lampeggiante: la ricarica procede normalmente
<b>Tempo di carica:</b>		Batteria LBP-560-100: Circa 42 minuti. Batteria LBP-560-200: Circa 88 minuti.
<b>Livello pressione sonora:</b> (EN60745-2-15)	dB(A)	70,4
<b>Livello potenza acustica:</b> (EN60745-2-15)	dB(A)	81
Incertezza	dB(A)	3
<b>Livelli di vibrazioni:</b> (EN60745-2-15)		
Impugnatura anteriore	m/s <sup>2</sup>	2,2
Impugnatura posteriore	m/s <sup>2</sup>	2,9
Incertezza: K	m/s <sup>2</sup>	1,5

Queste specifiche possono subire modifiche senza preavviso.

- ♦ Il valore totale dichiarato delle vibrazioni è stato misurato in conformità al metodo di test standard e può essere utilizzato per comparare tra loro due utensili.
- ♦ Il valore totale delle vibrazioni dichiarato può anche essere utilizzato per l'esecuzione di una valutazione preliminare del livello di esposizione.

# Dichiarazione di conformità

---

Il produttore sottoscritto:

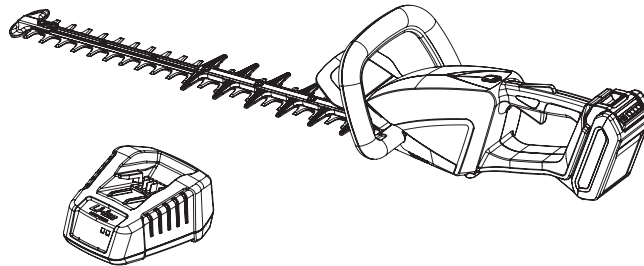
YAMABIKO CORPORATION  
7-2 SUEHIROCHO 1-CHOME  
OHME; TOKYO 198-8760  
GIAPPONE

La presente dichiarazione di conformità viene rilasciata sotto la responsabilità esclusiva del produttore.

Dichiara che la nuova unità di seguito descritta:

## TAGLIASIEPI PORTATILE CARICABATTERIE

Marchio: ECHO  
Tipo: DHC-200  
LCJQ-560



assemblato da:

ECHO, INCORPORATED  
400 Oakwood Road  
Lake Zurich, Illinois 60047-1564  
U.S.A.

È conforme a:

- \* Requisiti della Direttiva **2006/42/CE** (applicazione degli standard armonizzati **EN 60745-1: 2009, EN 60745-2-15: 2009**)
- \* Requisiti della Direttiva **2014/30/CE** (applicazione degli standard armonizzati **EN 55014-1: 2006, EN 55014-2: 1997, EN 61000-3-2: 2006, e EN 61000-3-3: 2008**)
- \* Requisiti richiesti dalla Direttiva **2014/35/CE** (applicazione degli standard armonizzati **EN 60335-1: 2012, EN 60335-2-29: 2004, e EN 62233: 2008**)
- \* Requisiti richiesti dalla Direttiva **2000/14/CE**  
Conforme alla procedura di accertamento dell'**ALLEGATO V**
- \* Requisiti richiesti dalla Direttiva **2011/65/CE** (uso della norma armonizzata **EN 50581: 2012**)

Livello di potenza acustica misurato: 81 dB(A)

Livello di potenza acustica garantito: 84 dB(A)

**DHC-200** Numero di serie 35000001 e superiori

**LCJQ-560** Numero di serie 35001001 e superiori

Tokyo, 1 luglio 2016

## YAMABIKO CORPORATION

**Masayuki Kimura**

**Direttore generale**

**Reparto Garanzia di qualità**

**Rappresentante autorizzato in Europa a costituire il fascicolo tecnico.**

Azienda: Atlantic Bridge Limited

Indirizzo: Atlantic House, PO Box 4800,

Earley, Reading RG5 4GB, Regno Unito

**Sig. Philip Wicks**



# MEMORANDUM

# YAMABIKO CORPORATION

7-2 SUEHIROCHO 1-CHOME, OHME, TOKYO 198-8760, GIAPPONE  
TELEFONO: 81-428-32-6118. FAX: 81-428-32-6145.



X750-027400

X750817-0301



ES ESPAÑOL  
(Instrucciones originales)

# MANUAL DE INSTRUCCIONES

## CORTASETOS RECARGABLE

### DHC-200



#### ADVERTENCIA

LEA ATENTAMENTE LAS INSTRUCCIONES Y SIGA LAS INDICACIONES PARA UN FUNCIONAMIENTO SEGURO. DE NO HACERLO, PODRÍA SUFRIR LESIONES GRAVES.

# Información importante

---

**Asegúrese de leer el manual de instrucciones antes de utilizar el producto.**

**○ Uso al que está destinado este producto**

- ♦ Los cortasetos ECHO son unidades ligeras de alta calidad diseñadas para recortar setos y arbustos.
- ♦ No utilice esta herramienta para un uso distinto para el que está diseñada.

**○ Usuarios del producto**

- ♦ No deberá utilizar este producto hasta que no haya leído atentamente el manual de instrucciones y entender su contenido.
- ♦ Nadie que no haya leído el manual de instrucciones adecuadamente deberá utilizar el producto, asimismo, deberá evitar su utilización si se encuentra resfriado, cansado o en una mala condición física, así como la utilización por parte de niños.
- ♦ Tenga presente que el operador o usuario es responsable de los accidentes o peligros ocasionados a terceras personas o a su propiedad.

**○ Acerca del manual de instrucciones**

- ♦ Este manual proporciona la información necesaria para el funcionamiento y mantenimiento de esta máquina. Léalo atentamente y entienda su contenido.
- ♦ Mantenga siempre el manual en un lugar fácilmente accesible.
- ♦ Si ha perdido el manual o si está dañado y no es legible, adquiera uno nuevo en su DISTRIBUIDOR ECHO.
- ♦ Los aparatos utilizados en este manual son aparatos SI (sistema internacional de unidades). Las imágenes que se encuentran entre paréntesis son valores de referencia y, en algunos casos, puede haber un ligero error de conversión.

**○ Préstamo o asignación del producto**

- ♦ Cuando preste el producto descrito en este manual a una tercera persona, asegúrese de que la persona que recibe y trabaja con el producto reciba el manual de instrucciones con el mismo. Si asigna el producto a una tercera persona, adjunte el manual de instrucciones con el producto cuando haga la entrega.

**○ Consultas**

- ♦ Póngase en contacto con su DISTRIBUIDOR ECHO para consultas relacionadas con información del producto, para la adquisición de consumibles, reparaciones y cualquier otro tipo de consultas.

**○ Avisos**

- ♦ El contenido de este manual puede sufrir cambios sin previo aviso debido a actualizaciones del producto. Algunas de las ilustraciones utilizadas pueden ser diferentes al propio producto para hacer más claras las explicaciones.
- ♦ Consulte con su DISTRIBUIDOR ECHO si hay algo que no esté claro o sobre lo que tenga interés.

## Fabricante

**YAMABIKO CORPORATION**

**7-2 SUEHIROCHO 1-CHOME, OHME, TOKIO 198-8760, JAPÓN**

## Representante autorizado en Europa

**Atlantic Bridge Limited**

**Atlantic House, PO Box 4800, Earley, Reading RG5 4GB, Reino Unido**

Para una utilización segura del producto.....	4
Avisos de advertencia.....	4
Otros indicadores.....	4
Símbolos.....	4
Ubicación en la que se encuentra el adhesivo de seguridad .....	5
Manipulación del producto.....	6
Lista de piezas .....	13
Descripción .....	14
Antes de comenzar .....	15
Montaje .....	15
Funcionamiento .....	18
Encendido de la unidad .....	18
Detención de la unidad .....	18
Operación de recorte de setos y arbustos.....	19
Funcionamiento básico de recorte de setos .....	19
Mantenimiento y cuidados .....	20
Directivas de asistencia .....	20
Mantenimiento y cuidados .....	20
Almacenamiento .....	23
Almacenamiento .....	23
Procedimiento para desechar el producto .....	24
Características técnicas.....	25
Declaración de conformidad .....	26

# Para una utilización segura del producto

## Lea atentamente esta sección antes de utilizar el producto.




○ Las precauciones descritas en esta sección contienen información de seguridad importante. Cúmplalas cuidadosamente.

○ Asimismo, debe leer las precauciones que aparecen en el interior del propio manual.

El texto que aparece después de una marca [marca de diamante] describe las posibles consecuencias de no cumplir la precaución.


## Avisos de advertencia

Las situaciones en las que existe un riesgo de lesión física para el operador y para otras personas aparecen indicadas en este manual y en el propio producto mediante los siguientes avisos de peligro. Léalos y téngalos siempre en cuenta para garantizar un funcionamiento seguro.

 <b>PELIGRO</b>	 <b>ADVERTENCIA</b>	 <b>PRECAUCIÓN</b>
Este símbolo acompañado por la palabra " <b>PELIGRO</b> " llama la atención sobre una acción o sobre unas condiciones que causarán heridas personales importantes o incluso la muerte al operario y a los transeúntes.	Este símbolo acompañado por la palabra " <b>ADVERTENCIA</b> " llama la atención sobre una acción o sobre unas condiciones que pueden causar heridas personales importantes o incluso la muerte al operario y a los transeúntes.	" <b>PRECAUCIÓN</b> " indica una situación potencialmente peligrosa que, si no se evita, puede provocar heridas leves o moderadas.

## Otros indicadores

Además de los avisos de advertencia, en este manual se utilizan los siguientes símbolos explicativos:






	El círculo con barra oblicua prohíbe la acción o uso de los objetos mostrados.	<b>NOTA</b>	<b>IMPORTANTE</b>
		Este mensaje enmarcado proporciona consejos para el uso, cuidado y mantenimiento del equipo.	El texto enmarcado con la palabra " <b>IMPORTANTE</b> " contiene información importante relativa al uso, comprobación, mantenimiento y almacenamiento del producto descrito en este manual.

## Símbolos

En este manual y en el propio producto se utilizan una serie de símbolos explicativos. Asegúrese de entender completamente lo que significa cada símbolo.

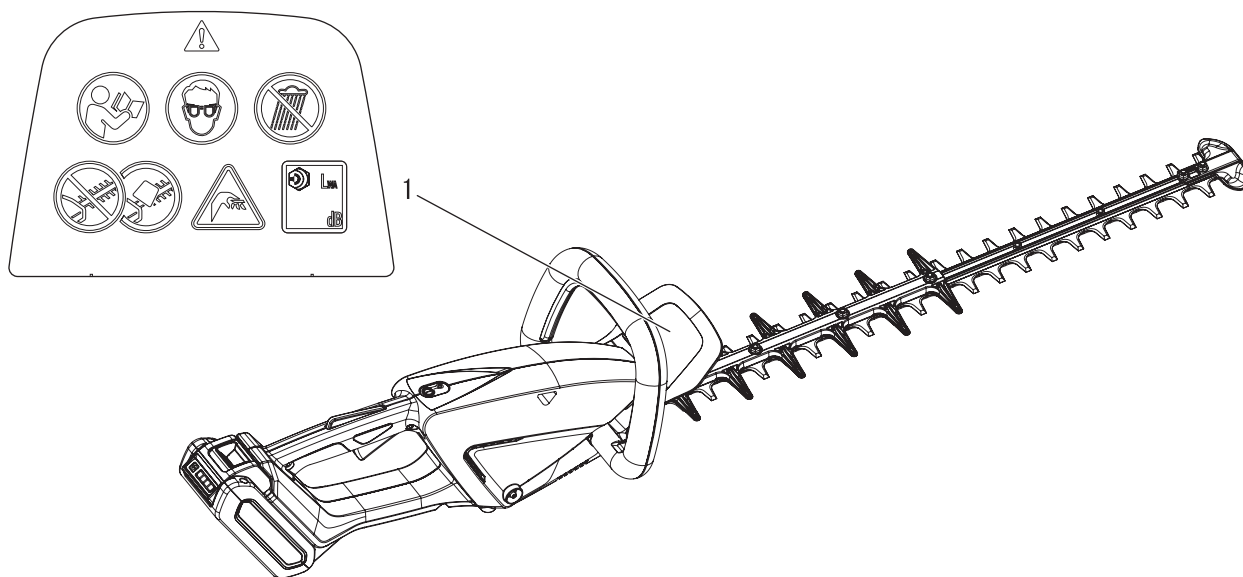
Forma y silueta del símbolo	Descripción/aplicación del símbolo	Forma y silueta del símbolo	Descripción/aplicación del símbolo
	Lea atentamente el manual de instrucciones.		Utilice protección ocular
	Seguridad / Alerta		Amputación de dedo
	Tenga cuidado de no sufrir descargas eléctricas		Tenga precaución con las zonas a alta temperatura
	Nunca utilice la herramienta sin las protecciones		No la utilice bajo la lluvia o en lugares húmedos

# Para una utilización segura del producto

Forma y silueta del símbolo	Descripción/aplicación del símbolo	Forma y silueta del símbolo	Descripción/aplicación del símbolo
	Nivel de potencia acústica garantizado		¡Protección del medioambiente!
	Voltios		Corriente continua
	Ciclos por minuto		

## Ubicación en la que se encuentra el adhesivo de seguridad

- El producto descrito en este manual incorpora el adhesivo de seguridad mostrado a continuación. Asegúrese de comprender el significado del adhesivo antes de utilizar el producto.
- Si el adhesivo es ilegible debido al desgaste, está dañado o se ha despegado, adquiera un adhesivo de repuesto en su distribuidor y colóquelo en la ubicación mostrada en la ilustración que aparece a continuación. Asegúrese de que el adhesivo sea siempre legible.



1. Adhesivo de seguridad (Número de pieza X505-008920)

# Para una utilización segura del producto

## Manipulación del producto

### Advertencias generales de seguridad para herramientas eléctricas

#### **ADVERTENCIA**

Lea todas las advertencias de seguridad y todas las instrucciones.

Si no se respetan las advertencias y las instrucciones pueden producirse descargas eléctricas, fuego y/o lesiones graves.

**Guarde todas las advertencias e instrucciones para futuras consultas.**

El término "herramienta eléctrica" de las advertencias hace referencia a su herramienta eléctrica conectada a la red (con cable) o la accionada mediante batería (inalámbrica).

#### Seguridad en el área de trabajo

○ **Mantenga el área de trabajo limpia y bien iluminada.**

◆ Las zonas desordenadas u oscuras invitan a que se produzcan accidentes.

○ **No utilice herramientas eléctricas en atmósferas explosivas, como en las que se encuentran líquidos inflamables, gases o polvo.**

◆ Las herramientas eléctricas generan chispas que podrían encender el polvo o los gases.

○ **Mantenga a los niños y a los transeúntes alejados mientras utiliza una herramienta eléctrica.**

◆ Las distracciones pueden causar que pierda el control.

#### Seguridad eléctrica

○ **Los enchufes de las herramientas eléctricas deben coincidir con la toma de corriente. Nunca modifique los enchufes. No utilice adaptadores con herramientas eléctricas conectadas a masa (tierra).**

◆ El uso de enchufes sin modificar con tomas de alimentación correspondientes reducirá el riesgo de descargas eléctricas.

○ **Evite el contacto del cuerpo con las superficies de objetos conectados a tierra, como las tuberías, radiadores, estufas y refrigeradores.**

◆ Existe un mayor riesgo de descargas eléctricas si su cuerpo se conecta a masa o a tierra.

○ **No exponga las herramientas eléctricas a la lluvia ni a condiciones de humedad.**

◆ Si el agua entra en el interior de la herramienta eléctrica, aumentará el riesgo de que se produzcan descargas eléctricas.

○ **No haga un mal uso del cable. Nunca utilice el cable para transportar, desenchufar o tirar de la herramienta eléctrica. Mantenga el cable alejado del calor, el aceite, los bordes afilados o las piezas móviles.**

◆ Si los cables están dañados o enredados, aumenta el riesgo de descargas eléctricas.

○ **Cuando utilice una herramienta eléctrica en exteriores, utilice cables alargadores adecuados para su uso en exteriores.**

◆ El uso de cables adecuados para exteriores reduce el riesgo de descargas eléctricas.

○ **Si la utilización de una herramienta eléctrica en un lugar húmedo es inevitable, utilice un suministro protegido con un interruptor de circuito de fallos de conexión a tierra (GFCI).**

◆ El uso de un GFCI reduce el riesgo de descargas eléctricas.

#### Seguridad personal

○ **Cuando utilice una herramienta eléctrica, permanezca alerta, mire lo que está haciendo y aplique el sentido común. No utilice herramientas eléctricas cuando esté cansado o bajo la influencia de drogas, alcohol o medicamentos.**

◆ Un momento de distracción mientras se utiliza una herramienta eléctrica puede causar lesiones graves.

○ **Utilice equipos de protección individual. Utilice siempre protección ocular.**

◆ El uso de equipos de protección para condiciones adecuadas como máscaras antipolvo, zapatos de seguridad con suela antideslizante, casco o protección para los oídos reducirá el riesgo de lesiones.

○ **Evite el encendido involuntario. Asegúrese de que el interruptor está en la posición de apagado antes de conectar la herramienta a la toma de alimentación y/o al pack de baterías, de coger o de transportar la herramienta.**

◆ Transportar herramientas eléctricas con el dedo en el interruptor o conectar a la alimentación herramientas eléctricas con el interruptor encendido invita a accidentes.

○ **Antes de poner la herramienta en funcionamiento quite cualquier llave de ajuste.**

◆ Dejar llaves montadas en una pieza giratoria de la herramienta eléctrica puede causar lesiones personales.

○ **No intente llegar demasiado lejos. Mantenga un buen apoyo y un equilibrio correcto en todo momento.**

◆ Esto le proporciona un mejor control de la herramienta eléctrica en situaciones imprevistas.

○ **Utilice la ropa adecuada. No utilice ropa suelta ni joyas. Mantenga su pelo, su ropa y sus guantes alejados de las piezas móviles.**

◆ Las prendas sueltas, las joyas o el cabello largo pueden quedar atrapados en las piezas móviles.

○ **Si los dispositivos se suministran para la conexión de aparatos de extracción y recogida de polvo, asegúrese de conectarlos y utilizarlos adecuadamente.**

◆ El uso de aparatos de recogida de polvo puede reducir los riesgos asociados a éste.

La emisión de vibraciones durante el uso real de la herramienta eléctrica puede diferir del valor total declarado dependiendo de la forma de uso de la herramienta; y de la necesidad de identificar medidas de seguridad para proteger al operario basadas en una estimación de la exposición a las condiciones reales de uso (teniendo en cuenta todas las partes del ciclo de uso, como los tiempos en los que la herramienta está apagada o cuando está funcionando en vacío, además del tiempo de actividad propiamente dicho).



# Para una utilización segura del producto

## ADVERTENCIA

### Uso y cuidados de las herramientas eléctricas

- **No fuerce la herramienta eléctrica. Utilice la herramienta eléctrica adecuada para su tarea.**
- ◆ Una herramienta eléctrica correcta realizará mejor el trabajo y de una forma más segura al régimen para el que fue diseñada.
- **No utilice la herramienta eléctrica si el interruptor no se enciende y apaga.**
- ◆ Toda herramienta eléctrica que no pueda controlarse con el interruptor es peligrosa y debe repararse.
- **Desconecte el enchufe de la toma de alimentación y/o el pack de baterías de la herramienta eléctrica antes de realizar ajustes, cambiar accesorios o de almacenarla.**
- ◆ Estas medidas preventivas de seguridad reducen el riesgo de que la herramienta eléctrica se ponga en funcionamiento accidentalmente.
- **Guarde las herramientas eléctricas lejos del alcance de los niños y no permita que las utilicen personas que no estén familiarizadas con ellas o con estas instrucciones.**
- ◆ Las herramientas eléctricas son peligrosas en manos de usuarios no cualificados.
- **Realice el mantenimiento de las herramientas eléctricas. Compruebe el posible desajuste o agarrotamiento de las piezas móviles, la rotura de piezas o cualquier otra condición que pudiera afectar al funcionamiento de la herramienta eléctrica. Si está dañada, haga que la reparen antes de su uso.**
- ◆ El mantenimiento deficiente de las herramientas eléctricas es causa de muchos accidentes.
- **Mantenga las herramientas de corte afiladas y limpias.**
- ◆ Las herramientas de corte mantenidas adecuadamente con bordes de corte afilados tienen menos posibilidades de atascarse y son más fáciles de controlar.
- **Utilice la herramienta eléctrica, accesorios y brocas, etc. de acuerdo con estas instrucciones, teniendo en consideración las condiciones de trabajo y la tarea que debe realizarse.**
- ◆ El uso de la herramienta eléctrica para fines distintos a los que ha sido diseñada puede causar situaciones peligrosas.

### Uso y cuidados de las herramientas con batería

- **Realice la recarga únicamente con el cargador especificado por el fabricante.**
- ◆ Un cargador adecuado para un tipo de baterías puede crear riesgo de incendios cuando se usa con otro tipo de baterías.
- **Utilice las herramientas eléctricas sólo con packs de baterías específicamente designados.**
- ◆ El uso de cualquier otro pack de baterías puede suponer un riesgo de lesiones o fuego.
- **Cuando no utilice un pack de baterías, manténgalo alejado de otros objetos metálicos, como clips de papel, monedas, llaves, clavos, tornillos u otros objetos metálicos pequeños que podrían realizar una conexión entre sus terminales.**
- ◆ Cortocircuitar los terminales de la batería puede causar quemaduras o fuego.
- **En condiciones de uso abusivo, puede salir líquido de la batería; evite el contacto con él. Si se produce un contacto accidental, aclare con agua. Si el líquido entra en contacto con los ojos, busque asistencia médica.**
- ◆ El líquido de la batería puede causar irritación o quemaduras.

### Asistencia

- **Asegúrese de que el mantenimiento de su herramienta eléctrica lo utiliza un reparador cualificado utilizando únicamente repuestos idénticos.**
- ◆ Así se asegurará de mantener la seguridad de la herramienta eléctrica.

## Advertencias de seguridad para el cortasetos

## ADVERTENCIA

- **Mantenga todas las partes del cuerpo alejadas de la cuchilla de corte. No aparte el material cortado ni sujete el material que va a cortar cuando las cuchillas estén en movimiento. Cuando aparte material atascado, asegúrese de que el interruptor está apagado.**
- ◆ Un momento de distracción mientras se utiliza un cortasetos puede causar lesiones graves.
- **Transporte el cortasetos por su asa con la cuchilla de corte detenida. Al transportar o guardar el cortasetos, coloque siempre la funda del dispositivo de corte.**
- ◆ El manejo adecuado del cortasetos reducirá las posibles lesiones provocadas por las cuchillas de corte.
- **Sujete la herramienta eléctrica únicamente por las superficies de agarre aisladas, porque la cuchilla de corte puede estar en contacto con cables ocultos.**
- ◆ Las cuchillas de corte en contacto con un cable "bajo tensión" pueden hacer que las partes de metal expuestas de la herramienta eléctrica estén "bajo tensión", lo que podría causar que el operario recibiera una descarga eléctrica.

# Para una utilización segura del producto

## Precauciones generales

### ADVERTENCIA

#### Manual de instrucciones

- Lea atentamente el manual de instrucciones antes de utilizar el producto a fin de asegurar un funcionamiento correcto.
- ◆ Si no lo hace podría provocar un accidente o una lesión grave.



#### No utilice el producto para un uso distinto para el que está diseñado

- No debe utilizar el producto para ningún propósito distinto de los descritos en el manual de instrucciones.
- ◆ De hacerlo, podría provocar un accidente o una lesión grave.

#### No modifique el producto

- No debe modificar el producto.
- ◆ De hacerlo, podría provocar un accidente o una lesión grave. Cualquier error resultante de una modificación del producto no estará cubierto por la garantía del fabricante.

#### No utilice el producto a no ser que haya sido comprobado y se le haya realizado el mantenimiento

- No debe utilizar el producto a no ser que haya sido comprobado y se le haya realizado el mantenimiento. Asegúrese siempre de comprobar el producto y de realizar regularmente el mantenimiento.
- ◆ Si no lo hace, podría producirse un accidente o una lesión grave.

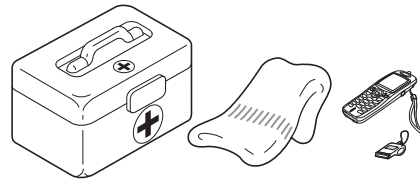
#### Préstamo o asignación del producto

- Cuando preste el producto a una tercera persona, asegúrese de que la persona que toma prestado el producto recibe con él el manual de instrucciones.
- Si asigna el producto a una tercera persona, adjunte el manual de instrucciones con el producto cuando haga la entrega.
- ◆ Si no lo hace, podría producirse un accidente o una lesión grave.

#### Preparación en caso de sufrir una lesión

En el improbable caso de sufrir un accidente o lesión, asegúrese de que esté preparado.

- Equipo de primeros auxilios
- Paños y toallas (para detener cualquier hemorragia)
- Silbato o teléfono móvil (para solicitar ayuda externa)
- ◆ Si no es capaz de realizar los primeros auxilios o de pedir ayuda externa, la lesión podría empeorar.



## Precauciones de uso

### PELIGRO

#### Encendido de la unidad

- No trate de arrancar la unidad colocándose por el lado de la cuchilla.
- ◆ Pueden producirse lesiones físicas si las cuchillas de corte comienzan a moverse de repente.

#### No retire la extensión no afilada

- No trabaje con el producto sin la extensión no afilada. Si debe retirarla para razones de mantenimiento, consulte a su distribuidor.
- ◆ Si no lo hiciera, podría sufrir lesiones graves.

#### Pare siempre la unidad si se atascan las cuchillas.

- No intente nunca extraer el objeto causante del atasco con la unidad funcionando.
- ◆ Pueden producirse lesiones físicas si se extrae el objeto causante del atasco de las cuchillas y éstas comienzan a moverse de nuevo.

# Para una utilización segura del producto

## ADVERTENCIA

### Usuarios del producto

El producto no podrá ser utilizado por:

- personas que estén cansadas
- personas que hayan consumido alcohol
- personas que estén tomando medicación
- mujeres embarazadas
- personas que estén en una mala condición física
- personas que no hayan leído el manual de instrucciones
- niños
- ◆ Si no sigue estas instrucciones podría provocar un accidente.
- Los componentes de esta máquina generan un campo electromagnético durante su funcionamiento, lo que podría interferir con algunos marcapasos. Para reducir los riesgos para la salud, recomendamos a los usuarios de marcapasos que consulten a su médico y al fabricante del marcapasos antes de utilizar este producto.



### Condiciones de uso y de funcionamiento

- No utilice el producto en lugares donde no se asegure la estabilidad, por ejemplo, cuevas empinadas o después de que haya llovido, ya que dichos lugares son resbaladizos y peligrosos.
- ◆ Si se cae o se resbala podría sufrir una lesión grave, o bien no lograr que el producto funcione correctamente.

### Transporte del producto

Cuando la transporte en las situaciones descritas a continuación, apague la unidad y asegúrese de que las cuchillas de corte han dejado de moverse. A continuación coloque la funda de la cuchilla. No transporte la unidad con el indicador LED de alimentación iluminado.

- Traslado a otro lugar cuando esté trabajando
- Traslado a otra área mientras está trabajando
- Abandono del lugar en el que ha estado trabajando
- ◆ Si no sigue estas precauciones podría sufrir lesiones graves.
- Cuando transporte el producto en coche, coloque la funda de la cuchilla y asegure firmemente el producto en su lugar para evitar que se mueva.

### Las vibraciones y el frío

Se cree que puede contraerse una enfermedad llamada fenómeno de Raynaud, que afecta a los dedos de ciertos individuos, si se está expuesto a vibraciones y frío. La exposición a las vibraciones y al frío puede causar el cosquilleo y quemazón de los dedos, seguidos de pérdida de color y sensación de dedos dormidos.

Se recomiendan las siguientes precauciones, ya que se desconoce cuál es la exposición mínima que desencadena esta dolencia.

- Mantenga el cuerpo caliente, especialmente la cabeza y el cuello, los pies y los tobillos y las manos y las muñecas.
- Mantenga una buena circulación sanguínea realizando ejercicios vigorosos con los brazos durante frecuentes descansos de trabajo.
- Limite el número de horas de trabajo. Intente también hacer cada día trabajos en los que no sea necesario usar el cortasetos u otros equipos a motor sujetos con las manos.
- Si experimenta molestias, rojez o hinchazón de los dedos, seguidos de una pérdida de sensación y emblanquecimiento de los mismos, consulte con su médico antes de volver a exponerse al frío y a las vibraciones.
- ◆ Si no tiene en cuenta estas instrucciones podría perjudicar su salud.

### Lesiones por esfuerzos repetitivos

Se cree que un uso excesivo de los músculos y tendones de los dedos, manos, brazos y hombros puede causar dolores, hinchazones, adormecimiento, debilidad y dolores extremos en los mismos. Ciertas actividades repetitivas de las manos pueden suponer un alto riesgo para el usuario de desarrollo de lesiones debidas a esfuerzos repetitivos (RSI).

Para reducir el riesgo de lesiones por esfuerzos repetitivos (RSI):

- Evite colocar la muñeca en posición doblada, extendida o torcida.
- Tómese descansos periódicos para minimizar la repetición y deje descansar las manos. Reduzca la velocidad y fuerza con la que hace el movimiento repetitivo.
- Haga ejercicios que fortalezcan los músculos de las manos y de los brazos.
- Consulte a su médico si siente cosquilleos, adormecimiento o dolor en sus dedos, manos, muñecas o brazos. Cuanto antes se diagnostiquen estas lesiones (RSI), más probabilidades tendrá de prevenir daños permanentes en los nervios y músculos.
- ◆ Si no tiene en cuenta estas instrucciones podría perjudicar su salud.

# Para una utilización segura del producto

## ADVERTENCIA

### Encendido de la unidad

Tenga especial cuidado de seguir las siguientes precauciones cuando arranque la unidad:

- Asegúrese de que en todo momento están instalados los asideros y protecciones.
- Compruebe que ninguna tuerca ni perno estén flojos
- Compruebe que las cuchillas de corte no están dañadas ni excesivamente desgastadas. Si encuentra alguna anomalía, no utilice la unidad.
- Coloque el producto en un lugar plano y bien ventilado
- Deje suficiente espacio alrededor del producto y no deje que se acerquen personas o animales
- Elimine las obstrucciones, de haberlas
- Asegúrese de que las cuchillas de corte no tocan el suelo ni ningún obstáculo.
- ◆ Si no tiene en cuenta estas precauciones podría sufrir un accidente o lesión o incluso dar lugar a un accidente mortal.

### Una vez arrancada la unidad, compruebe que no haya vibraciones y sonidos anormales

- Compruebe que no haya vibraciones ni sonidos anormales una vez arrancada la unidad. No utilice el producto si hay vibraciones o sonidos anormales. Póngase en contacto con su distribuidor para que lo repare.
- ◆ Los accidentes que causen la caída o rotura de las piezas pueden provocar heridas o lesiones graves.

### No toque los componentes a temperatura elevada o de alta tensión mientras esté en marcha el producto.

No toque los siguientes componentes a temperatura elevada o de alta tensión mientras esté en marcha el producto o durante algún tiempo después de que se detenga.

- Componentes a alta temperatura
  - ◆ Podría quemarse si toca un componente a elevada temperatura.
- Componentes de alta tensión
  - ◆ Podría recibir una descarga eléctrica si toca un componente de alta tensión mientras el producto esté en marcha.



### Apague la unidad cuando compruebe o realice el mantenimiento del producto

Cuando compruebe o realice el mantenimiento del producto después del uso, tenga en cuenta las siguientes precauciones:

- Apague la unidad y no intente realizar ninguna comprobación ni mantenimiento del producto hasta que la unidad se haya enfriado.
- ◆ Podría quemarse.

# Para una utilización segura del producto

## ADVERTENCIA

### Retire las sustancias y obstáculos extraños antes de utilizar el producto

- Inspeccione el área en la que se utilizará la unidad. Retire las piedras, objetos metálicos y otros objetos que pudieran obstruir o dañarla.
- ◆ Puede producirse un accidente o lesiones graves si el dispositivo de corte arroja objetos extraños.

### Apague inmediatamente la unidad si algo no va como debiera

En las situaciones que se describen a continuación, apague inmediatamente la unidad y asegúrese de que el dispositivo de corte se ha detenido antes de comprobar cada área del producto. Sustituya cualquier pieza dañada.

- Si el dispositivo de corte golpea una roca, árbol, poste u otro tipo de obstáculo mientras está trabajando.
- Si el producto comienza a vibrar anormalmente de forma repentina.
- ◆ El uso continuado de las piezas cuando estén dañadas puede provocar un accidente o una lesión grave.

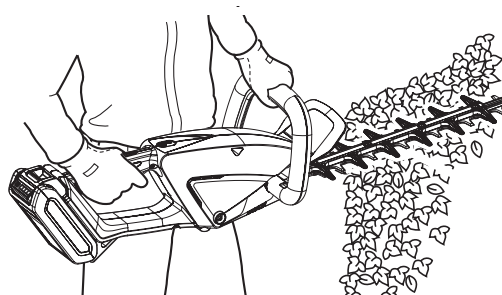
### El área dentro de un radio de 10 metros es una zona peligrosa

El área dentro de un radio de 10 metros del producto es una zona peligrosa. Tenga cuidado de cumplir estas precauciones cuando trabaje con el producto.

- Si entra otra persona en la zona de peligro, apague la unidad para detener las cuchillas.
- Cuando se acerque al operario, hágale una señal, por ejemplo, arrojándole ramitas desde el exterior de la zona de peligro y, a continuación, compruebe que la unidad se haya desconectado y que las cuchillas hayan parado de moverse.
- No permita que nadie sujete el material que está cortando.
- ◆ Cualquier contacto con las cuchillas de corte podría provocar una lesión grave.

### No utilice la unidad con una sola mano.

- Mantenga ambas manos en los asideros mientras la unidad esté en marcha. Nunca utilice la unidad con una sola mano.
- Sujete firmemente el cortasetos con ambas manos, colocando una mano en el asidero delantero y la otra en el asidero trasero.
- Sujete firmemente la unidad colocando los pulgares y los dedos alrededor de los asideros.
- No retire las manos de la unidad cuando las cuchillas estén en movimiento.
- ◆ Si no observa estas instrucciones hará que el producto sea inestable, lo que puede derivar en lesiones graves.



### Asegúrese de que las cuchillas de corte están paradas antes de colocar la unidad en el suelo.

- Cuando apague la unidad, compruebe y asegúrese de que las cuchillas de corte hayan dejado de moverse antes de bajar el producto al suelo.
- ◆ Incluso aunque la unidad esté apagada, las cuchillas pueden provocar todavía una lesión mientras estén girando libremente.

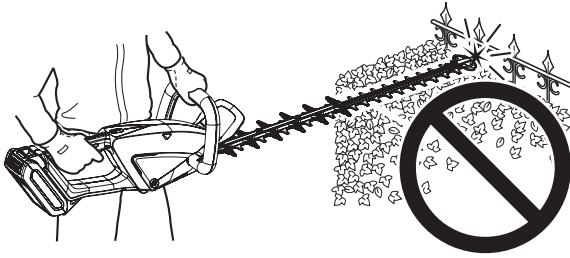


# Para una utilización segura del producto

## ⚠ ADVERTENCIA

### No utilice la unidad para cortar objetos duros

- No utilice la unidad para cortar objetos duros, tales como cables o láminas de acero.
- Si las cuchillas chocan con un obstáculo o no funcionan correctamente, detenga la unidad e inspeccione las cuchillas en busca de daños.
- ◆ Si no observa estas indicaciones podría dar lugar a la avería del producto o a un accidente.



### Jamás utilice la unidad mientras se encuentra subido en una escalera o taburete

- No se suba a superficies inestables.
- No utilice la unidad cuando se encuentre subido en la parte superior de una escalera o de pie en un taburete.
- ◆ Si no lo hace, podría producirse un accidente o una lesión grave.

## Ropa de protección

## ⚠ ADVERTENCIA

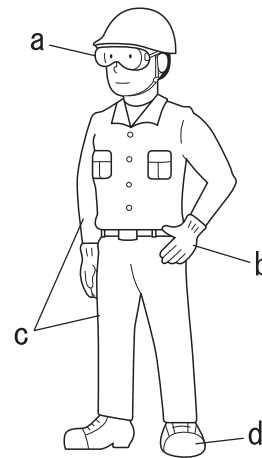
### Póngase indumentaria protectora

Póngase siempre la ropa de protección siguiente cuando trabaje con el cortasetos.

- a **Gafas de seguridad:** Protegen los ojos
  - b **Guantes de seguridad:** Protegen las manos del frío y la vibración
  - c **Ropa apropiada para labores de corte (mangas y pantalones largos):** Protege el cuerpo
  - d **Zapatos o botas fuertes:** Protegen los pies
- ◆ Si no tiene en cuenta estas precauciones, podría derivar en daños en la visión o en la audición o dar lugar a una lesión grave.

En caso necesario, utilice la ropa de protección descrita a continuación.

- **Protección para la cabeza (casco):** Protege la cabeza
- **Orejeras o tapones para los oídos:** Protección auditiva
- **Mascarilla para el polvo:** Protección respiratoria
- **Red para abejas:** Protección contra insectos



### Utilice indumentaria adecuada

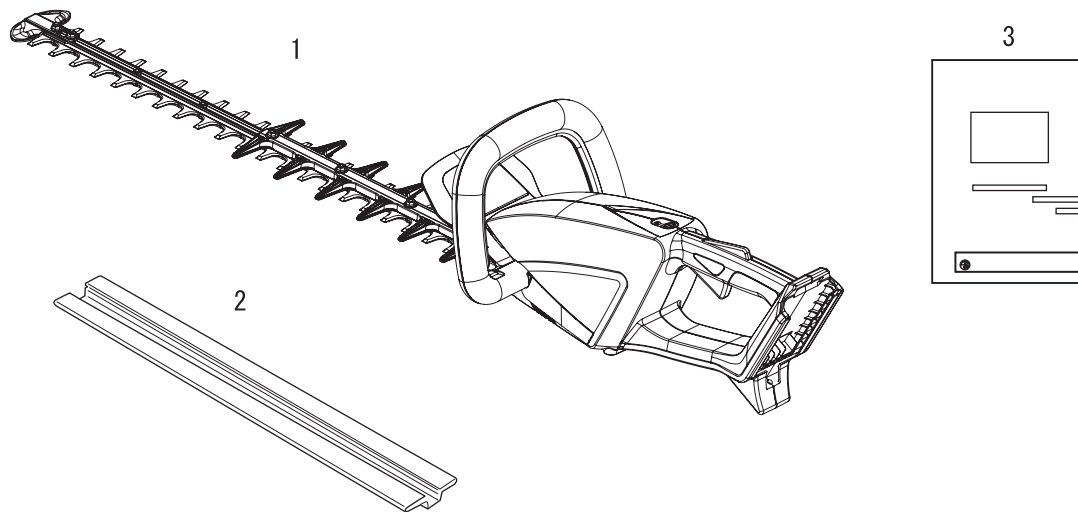
No utilice corbatas, joyería o ropa floja o colgante que pueda quedar atrapada en la unidad. No utilice calzado con la puntera abierta ni vaya descalzo o sin perneras.

- ◆ El no seguimiento de estas precauciones podría provocar accidentes o causar lesiones graves.

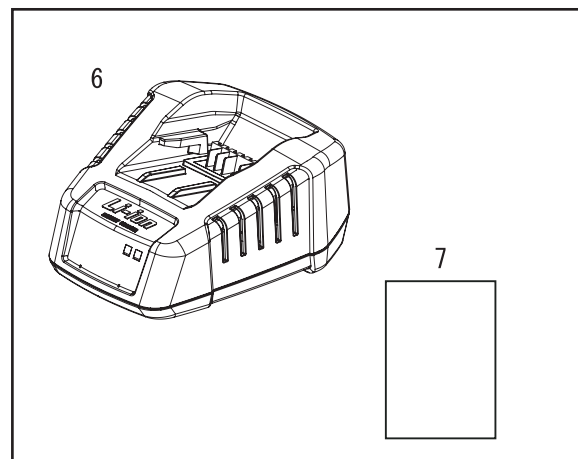
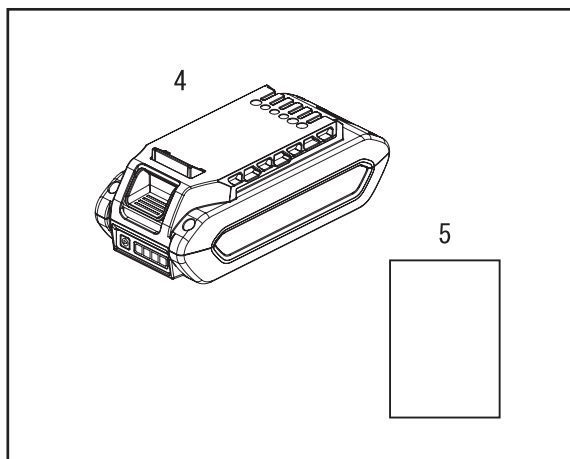


# Lista de piezas

- ♦ En la caja de embalaje están empaquetadas de forma separada las siguientes piezas.
- ♦ Cuando haya desempaquetado la caja, compruebe que contenga las siguientes piezas.
- ♦ Póngase en contacto con su distribuidor si falta alguna o está rota.

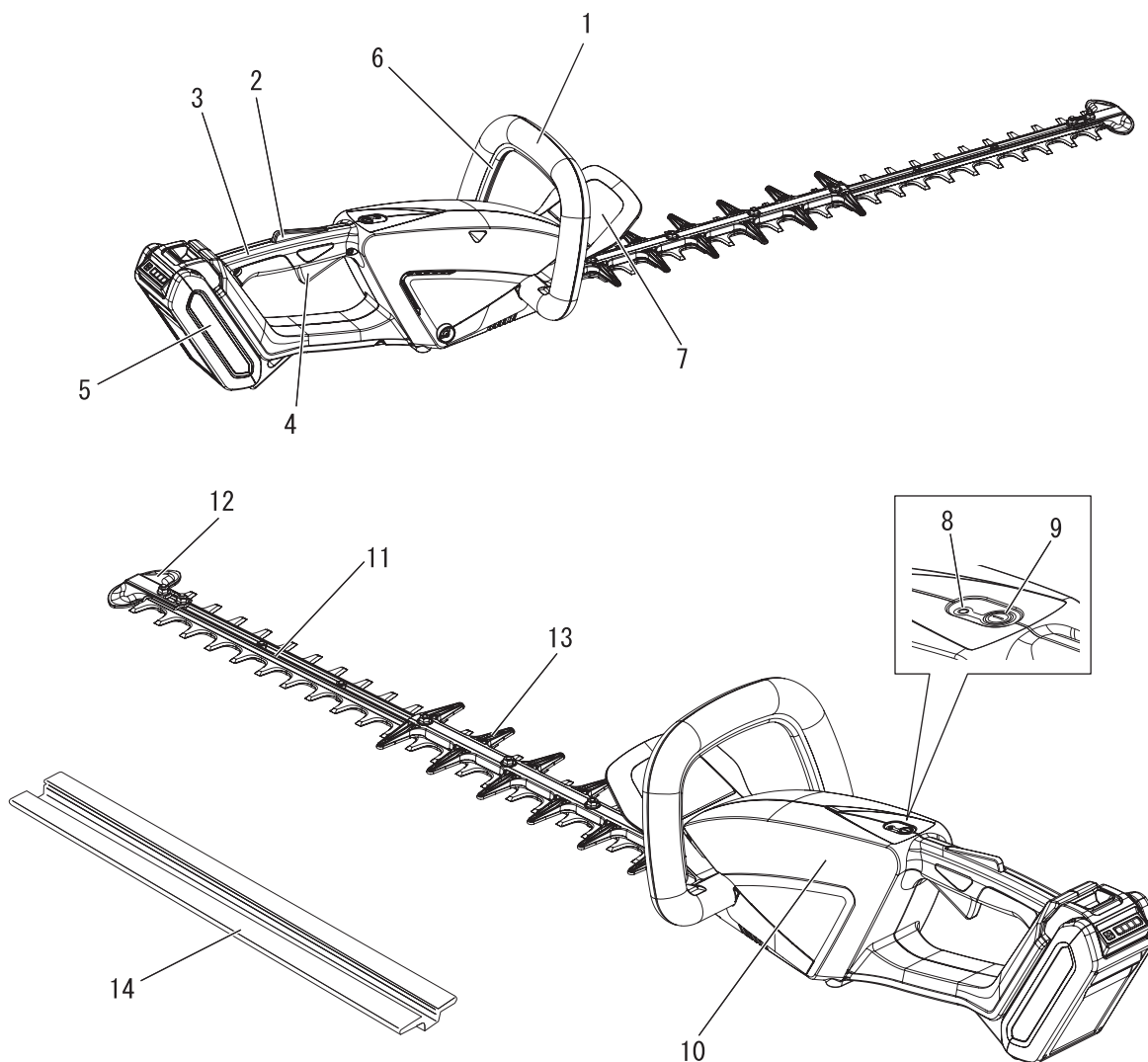


Número	Nombre de pieza	Cantidad
(1)	Conjunto del cortasetos	1
(2)	Funda de la cuchilla	1
(3)	Manual de instrucciones	1



Número	Nombre de pieza	Cantidad
(4)	Pack de baterías	1
(5)	Manual de instrucciones	1
(6)	Cargador	1
(7)	Manual de instrucciones	1

# Descripción



1. **Asidero delantero** Asidero ubicado sobre el dispositivo de corte.
2. **Bloqueo del interruptor de gatillo** Bloquea el gatillo en la posición de apagado, hasta que su mano derecha agarre bien el manillar.
3. **Asidero trasero** Asidero ubicado en el extremo más alejado del accesorio de corte.
4. **Interruptor de gatillo** Se acciona con el dedo y sirve para encender el motor.
5. **Pack de baterías**
6. **Interruptor de enclavamiento** Detiene el cortasetos siempre que se suelta el asidero delantero.
7. **Protección** Protección situada entre el asidero delantero y el accesorio de corte para proteger la mano de lesiones si ésta se resbala del asidero.
8. **Indicador LED de alimentación** Permanece iluminado cuando la alimentación de la unidad está encendida. Se apaga cuando lo hace la alimentación.
9. **Botón de encendido** Púlselo una vez para encender la unidad, el indicador LED de alimentación se ilumina. Púlselo una vez más para detener la unidad, el indicador LED de alimentación se apaga.
10. **Motor**
11. **Dispositivo de corte** La parte del conjunto de la cuchilla de corte y la placa de rotura, junto con cualquier pieza accesorio, que realiza la acción cortadora.
12. **Protección de la punta de la cuchilla** Protege las cuchillas contra el desgaste y los daños producidos por los impactos contra muros o contra el suelo para ayudar a prolongar la vida útil de las cuchillas.
13. **Extensión sin filo** Una parte desafilada para extender el accesorio de corte.
14. **Funda de la cuchilla** Al transportar o guardar la unidad, coloque siempre la funda de la cuchilla.



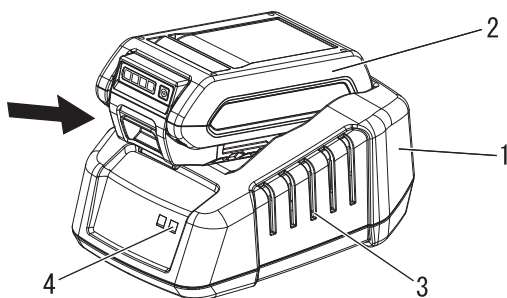
## Montaje Carga de la batería

### **ADVERTENCIA**

- Utilice siempre los packs de baterías LBP-560-100/LBP-560-200 y cárguelos sólo con el cargador LCJQ-560.
- Mantenga el cargador y las baterías alejados de la humedad y de todos los líquidos.
- No utilice el cargador en superficies fácilmente combustibles (por ejemplo, papel, textiles) o en entornos combustibles con alto riesgo de incendio.
- No cubra el cargador. Si lo hace, impedirá que se refrigere.
- No utilice el cargador en atmósferas explosivas, como en las que se encuentran líquidos inflamables, gases o polvo. Los cargadores pueden generar chispas que podrían encender el polvo o los gases - existe riesgo de explosión.
- Conecte el cargador sólo a la tensión y frecuencia especificadas en la placa de características.
- Conecte el cargador sólo a una toma de pared de fácil acceso.
- No introduzca objetos en las ranuras de refrigeración del pack de baterías o el cargador.
- No cargue o use un pack de baterías y cargador defectuosos, dañados o deformados.
- No abra, dañe o deje caer el pack de baterías o el cargador.
- Si se daña o no se utiliza correctamente, pueden producirse fugas de líquido de la batería; evite el contacto con la piel. Si se produce contacto accidental, lave las áreas afectadas de la piel con agua abundante y jabón. Si el líquido entra en contacto con los ojos, no se frote. Lave los ojos con agua abundante durante un mínimo de 15 minutos. Asimismo, solicite asistencia médica.
- No puentee (cortocircuite) los contactos del pack de baterías o los terminales del cargador con objetos metálicos.
- Protéjalo de la luz solar directa, el calor y llamas abiertas y no arroje la batería al fuego; existe riesgo de explosión.
- Si observa humo o fuego en el cargador, desconéctelo de la red inmediatamente.
- Si el cable de conexión está dañado, desenchúfelo inmediatamente de la toma de alimentación para evitar el riesgo de descargas eléctricas.
- No exponga el pack de baterías a microondas o altas presiones.
- Asegúrese de que la unidad no se encienda de forma accidental. Retire el pack de baterías antes de transportar o guardar la unidad. No utilice recipientes metálicos para el transporte de baterías.
- Para reducir el riesgo de tropezar, coloque y marque el cable de conexión de forma que otros no puedan dañarlo ni correr peligro con él.

### **NOTA**

- La batería se suministra de fábrica parcialmente cargada y debe cargarse completamente antes de su primer uso.
- Cargue la batería cuando deje de producir energía suficiente para accionar la unidad o cuando las luces de la batería indiquen que su carga es baja.



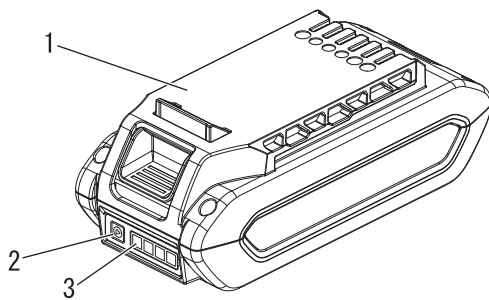
- 1. Cargador
- 2. Batería
- 3. Ranuras de refrigeración
- 4. LED del cargador

1. Enchufe el cable de CA del cargador en la toma de pared.
2. Alinee los canales de la batería con las muescas del cargador y deslice la batería dentro de éste.
3. Durante la carga normal, el LED del cargador parpadeará continuamente de color VERDE.

### **IMPORTANTE**

- Si el cargador detecta un problema el LED parpadea de color ROJO. Extraiga la batería del cargador, limpie las obstrucciones de los contactos y vuelva a colocar la batería en el cargador. Si temperatura de la batería está fuera de los límites aceptables (de 0°C a 60°C), el LED permanece de color ROJO.

# Antes de comenzar



- 1. Batería
- 2. Botón de estado de carga de la batería
- 3. Pantalla LED

4. Cuando la carga se completa, el LED permanece de color VERDE.
  - \* Un pack de baterías descargado completamente se cargará en, aproximadamente, 42 minutos. (LBP-560-100)
  - \* Un pack de baterías descargado completamente se cargará en, aproximadamente, 88 minutos. (LBP-560-200)
5. Verifique que la batería esté totalmente cargada antes de extraerla del cargador pulsando el botón de estado de carga de la batería y comprobando la pantalla LED.
  - ♦ Una luz verde indica que la batería tiene un 0-25% de carga.
  - ♦ Dos luces verdes indican que la batería tiene un 25-50% de carga.
  - ♦ Tres luces verdes indican que la batería tiene un 50-75% de carga.
  - ♦ Cuatro luces verdes indican que la batería tiene un 75-100% de carga.
6. Desconecte el cargador de la batería de la toma de corriente.

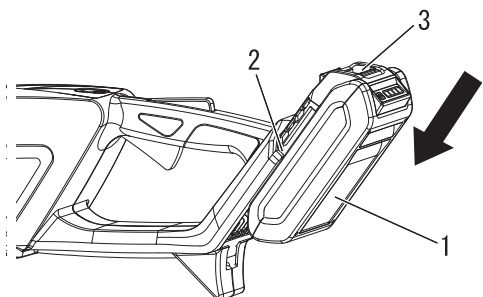
## Coloque y retirada de la batería

### ADVERTENCIA

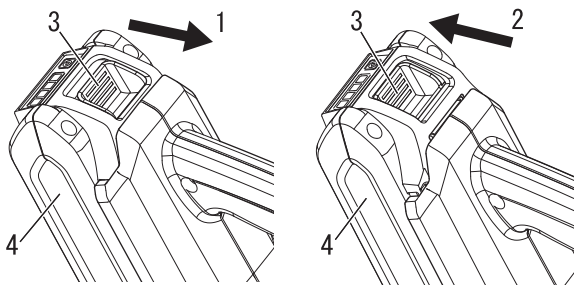
○ El cortasetos funcionará cuando la batería esté instalada, el indicador LED de alimentación esté encendido y cuando se accionen el interruptor del gatillo, el bloqueo del interruptor del gatillo y el interruptor de enclavamiento. Asegúrese de que el cortasetos está colocado correctamente para impedir la pérdida de control y posibles lesiones graves. Mantenga las piezas móviles del cortasetos alejadas del suelo y de objetos que se puedan enredar o lanzar.

### NOTA

♦ La batería se suministra de fábrica parcialmente cargada y debe cargarse completamente antes de su primer uso.



- 1. Batería
- 2. Canal
- 3. Pestillo del pack de baterías



- 1. Posición completa
- 2. Posición incompleta
- 3. Pestillo del pack de baterías
- 4. Pack de baterías

### Colocación de la batería

1. Asegúrese de que la alimentación de la unidad esté apagada.
2. Alinee los canales de la batería con la ranura del cortasetos e inserte la batería hasta que el pestillo del pack de baterías se coloque en su posición.

### IMPORTANTE

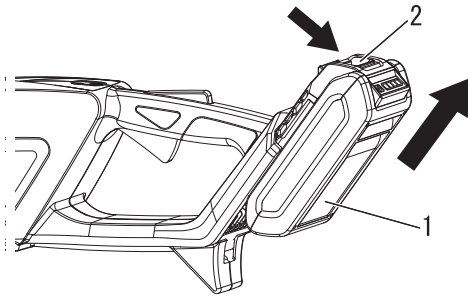
Antes de utilizar el cortasetos, asegúrese de que la batería está colocada correctamente con el pestillo del pack de baterías en su posición.

### NOTA

♦ El pack de baterías está en su posición cuando el pestillo del pack de baterías está correctamente colocado.

# Antes de comenzar

---



1. Batería

2. Pestillo del pack de baterías

## Retirada de la batería

1. Para retirar la batería, presione el pestillo del pack de baterías y deslice la batería para extraerla del cortasetos.

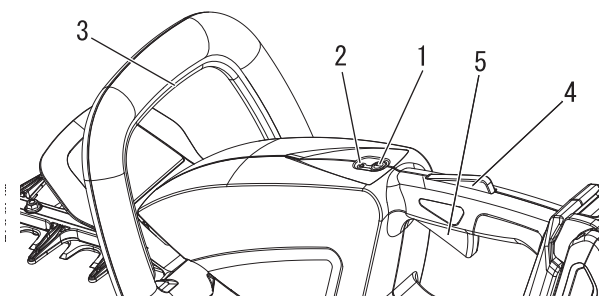
# Funcionamiento

## Encendido de la unidad

### ADVERTENCIA

○ Cuando encienda la unidad, tenga en cuenta las precauciones descritas en la página 4 , sección "Para una utilización segura del producto", para garantizar que utiliza el producto correctamente.

◆ Si no tiene en cuenta estas precauciones podría sufrir un accidente o lesión o incluso dar lugar a un accidente mortal.



1. Botón de encendido
2. Indicador LED de alimentación
3. Interruptor de enclavamiento
4. Bloqueo del interruptor de gatillo
5. Interruptor de gatillo

1. Extraiga la funda de la cuchilla.
2. Pulse una vez el botón de encendido para activar la alimentación de la unidad.

### NOTA

◆ El indicador LED de alimentación se ilumina cuando la alimentación de la unidad está encendida.

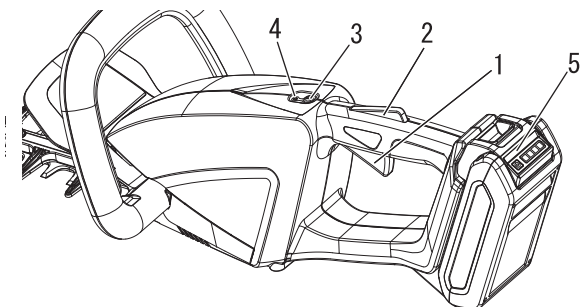
3. Sujete el cortasetos con ambas manos. El interruptor de enclavamiento situado en el asidero delantero debe activarse para que el cortasetos comience a funcionar y/o continúe funcionando.
4. Mantenga pulsado el bloqueo del interruptor de gatillo y pulse el interruptor de gatillo para aumentar la velocidad de la hoja.

### IMPORTANTE

Cuando se enciende la unidad:

- ◆ Después de un minuto de inactividad, la unidad se apagará automáticamente.
- ◆ Si el LED continua encendido, el funcionamiento es normal.
- ◆ Si el LED parpadea una vez por segundo, es necesario cargar la batería.
- ◆ Si el LED parpadea cuatro veces por segundo, el producto tiene una avería. Apague la unidad. Extraiga la batería. Limpie la suciedad de las cuchillas. Instale la batería. Encienda la unidad. Si continúa parpadeando, solicite la reparación del producto a su distribuidor de servicio autorizado.

## Detención de la unidad



1. Interruptor de gatillo
2. Bloqueo del interruptor de gatillo
3. Botón de encendido
4. Indicador LED de alimentación
5. Batería

1. Suelte el interruptor de gatillo y el bloqueo del interruptor de gatillo y permita que las cuchillas se paren.
2. Pulse el botón de encendido para desactivar la alimentación de la unidad.

### NOTA

◆ El indicador LED de alimentación se apaga cuando la alimentación de la unidad está apagada.

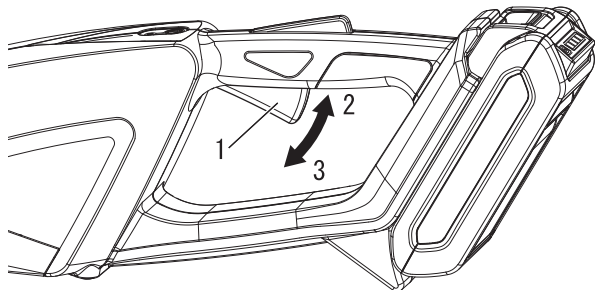
\* Si el botón de encendido no detiene el cortasetos, extraiga la batería para detener el suministro de alimentación. Antes de volver a utilizar el cortasetos, haga que su distribuidor de servicio autorizado ECHO repare el botón de encendido. Si las cuchillas no se detienen cuando se sueltan el interruptor de gatillo, el bloqueo del interruptor de gatillo y el interruptor de enclavamiento, extraiga la batería para detener el suministro de alimentación al cortasetos. Antes de volver a utilizar la unidad, haga que su distribuidor de servicio autorizado ECHO la repare.

# Operación de recorte de setos y arbustos

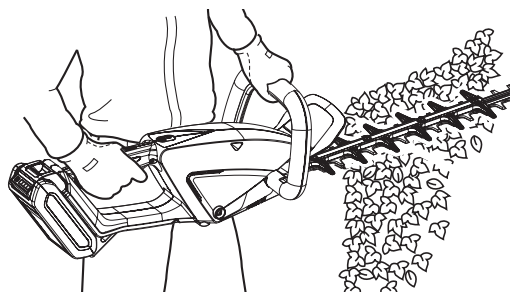
## Funcionamiento básico de recorte de setos

### NOTA

- ♦ Este producto está diseñado para cortar arbustos y setos con ramas con un diámetro inferior a 6 mm.



- 1. Interruptor de gatillo
- 2. Alta velocidad
- 3. Parada



- ♦ Cuando se acciona el interruptor de gatillo las cuchillas de corte comienzan a moverse. Ajuste la velocidad de funcionamiento dependiendo, por ejemplo, de la cantidad de setos que va a cortar.
- ♦ Realice el trabajo en cuestión con las cuchillas de corte colocadas en dirección opuesta a su cuerpo. No oriente las cuchillas de corte hacia usted ni las coloque cerca de su cuerpo.
- ♦ Al cortar la parte superior de setos o arbustos, hágalo desplazando de un lado a otro las cuchillas de corte. Puede realizar un corte limpio si desplaza las cuchillas ligeramente inclinadas hacia abajo.
- ♦ Al cortar los laterales, mueva las cuchillas de corte de abajo arriba para lograr un corte limpio.
- ♦ No presione las cuchillas de corte contra objetos, por ejemplo, los árboles. Utilice la unidad de acuerdo con el movimiento y la velocidad de las cuchillas de corte.

# Mantenimiento y cuidados

## Directivas de asistencia

Área	Mantenimiento	Página	Antes de usar	Mensual
Batería	Inspeccionar / limpiar / cargar	15	•	
Caja de engranajes	Engrasar	21	• (15-20 h)	
Cuchillas	Inspeccionar / limpiar / lubricar	20	•	
Tornillos, pernos y tuercas	Inspeccionar / apretar / sustituir	-	•	

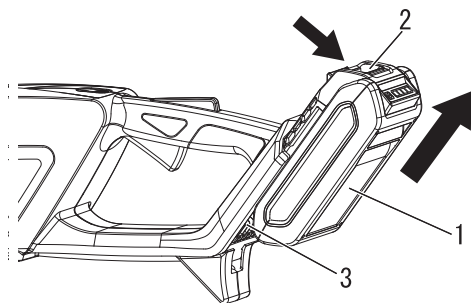
## IMPORTANTE

Los intervalos de tiempo son los máximos. El uso real y su experiencia determinarán la frecuencia del mantenimiento necesario. Registre las fechas de las inspecciones mensuales y anuales.

## Mantenimiento y cuidados

Si tiene cualquier pregunta o problema, póngase en contacto con su distribuidor.

### Limpieza de la batería y de su compartimento



- 1. Batería
- 2. Pestillo del pack de baterías
- 3. Compartimento de la batería

### ⚠ ADVERTENCIA

○ Riesgo de descargas eléctricas o fuego. No utilice materiales conductores para limpiar la batería ni su compartimento.

1. Suelte el interruptor de gatillo y el bloqueo del interruptor de gatillo y permita que el cabezal de corte se detenga.
2. Asegúrese de que el indicador LED de alimentación no está encendido.
3. Presione el pestillo del pack de baterías y deslice la batería para extraerla.
4. Utilice aire comprimido o un cepillo de cerdas suaves para eliminar la suciedad de la batería y de su compartimento.

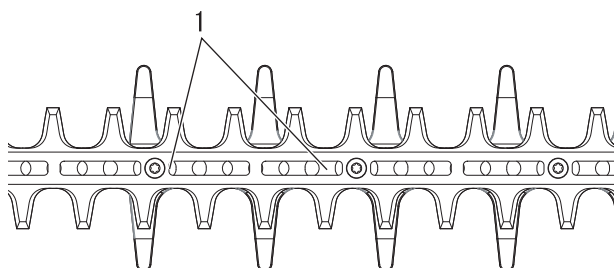
### Cuidados para las cuchillas de corte

### ⚠ PRECAUCIÓN

- Use guantes para proteger las manos de las cuchillas afiladas.
- ◆ Si no sigue estas precauciones podría provocar lesiones

### Lubricación de las cuchillas (Cada 4 horas de funcionamiento)

Aplique unas gotas de aceite en cada ranura de perno de la base de las cuchillas.



- 1. Ranuras para pernos

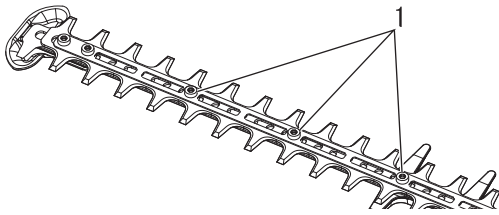
### Limpieza de cuchillas (Después de cada uso)

Elimine los residuos pegajosos de las cuchillas con una mezcla de queroseno (parafina) y aceite para máquinas al 50:50.

# Mantenimiento y cuidados

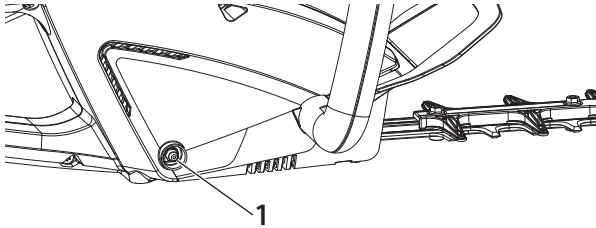
## Ajuste de la hoja de corte

Las cuchillas estándar no necesitan ajustes periódicos. Asegúrese de que todos los pernos de hombro de la cuchilla estén apretados y en buen estado.



1. Perno de hombro

## Lubricación de la caja de engranajes



1. Orificio para grasa

### Herramientas necesarias:

Pistola de lubricación, paño.

### Piezas necesarias:

Grasa con base de litio.

1. Limpie la grasa acumulada.
2. Sujete la unidad con firmeza y bombee grasa por el orificio adecuado. No fuerce la entrada de la grasa. Si se ejerce demasiada presión, la grasa rebosará los sellos y provocará daños. **Aplique 1 - 2 bombas de grasa cada 15 - 20 horas de funcionamiento.**

## NOTA

Utilice grasa multiuso de litio de alta calidad.

# Mantenimiento y cuidados

**Tabla de localización de averías**

Problema	Causa	Remedio
La luz roja del cargador parpadea o no se enciende	<ul style="list-style-type: none"> <li>♦ Enchufe no conectado a la toma</li> <li>♦ El pack de baterías no se ha instalado correctamente</li> <li>♦ Conexión obstruida</li> <li>♦ Fallo en el cargador</li> <li>♦ Fallo en el pack de baterías</li> </ul>	<ul style="list-style-type: none"> <li>♦ Enchufe el cargador</li> <li>♦ Compruebe la instalación del pack de baterías</li> <li>♦ Vuelva a instalar el pack de baterías después de eliminar las obstrucciones de la conexión</li> <li>♦ Consulte a su distribuidor ECHO</li> <li>♦ Consulte a su distribuidor ECHO</li> </ul>
No se enciende la unidad	<ul style="list-style-type: none"> <li>♦ El pack de baterías no se ha instalado correctamente</li> </ul>	<ul style="list-style-type: none"> <li>♦ Compruebe la instalación del pack de baterías</li> </ul>
La unidad no funciona cuando se enciende	<ul style="list-style-type: none"> <li>♦ Pack de baterías descargado</li> <li>♦ Cuchillas obstruidas</li> <li>♦ Pack de baterías a temperatura fuera de los límites aceptables</li> <li>♦ Cuchillas agarrotadas</li> </ul>	<ul style="list-style-type: none"> <li>♦ Cargue el pack de baterías</li> <li>♦ Apague la unidad, extraiga la batería y elimine la obstrucción de las cuchillas</li> <li>♦ Extraiga el pack de baterías y permita que se enfríe</li> <li>♦ Cepille la suciedad suelta de las cuchillas y lubríquelas</li> </ul>
El tiempo de funcionamiento es demasiado corto	<ul style="list-style-type: none"> <li>♦ Pack de baterías a temperatura fuera de los límites aceptables</li> <li>♦ Componentes electrónicos de la unidad demasiado calientes</li> <li>♦ Pack de baterías descargado</li> <li>♦ Cuchillas dañadas</li> </ul>	<ul style="list-style-type: none"> <li>♦ Extraiga el pack de baterías y permita que se enfríe</li> <li>♦ Apáguela y permita que se enfríe</li> <li>♦ Cargue el pack de baterías</li> <li>♦ Consulte a su distribuidor ECHO</li> </ul>
La unidad vibra excesivamente	<ul style="list-style-type: none"> <li>♦ Fallo de las piezas internas</li> </ul>	<ul style="list-style-type: none"> <li>♦ Consulte a su distribuidor ECHO</li> </ul>

- ♦ Las comprobaciones y el mantenimiento requieren un conocimiento especializado. Si no puede comprobar y realizar el mantenimiento del producto o dar con un problema usted sólo, consulte con su distribuidor. No intente desmontar el producto.
- ♦ Consulte con su distribuidor si se encuentra con un problema que no esté cubierto en la tabla anterior o para cualquier otra consulta.
- ♦ Para piezas de repuesto y consumibles, utilice sólo piezas auténticas y productos y componentes indicados. La utilización de piezas de otros fabricantes o de componentes no indicados pueden derivar en un fallo de funcionamiento.

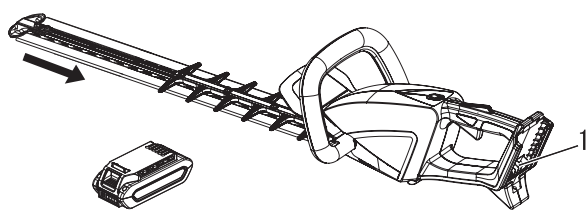


## Almacenamiento

### ADVERTENCIA

**No lo guarde en un lugar cerrado donde puedan acumularse gases combustibles.**  
Podría provocar un incendio.

Cuando almacene el producto durante largos periodos de tiempo, asegúrese de que se realicen los siguientes preparativos para el almacenamiento.



1. Compartimento de la batería

### **Cortasetos**

No guarde su unidad sin realizar el mantenimiento de protección para almacenamiento, que incluye:

1. Apagar la unidad.
2. Extraer la batería del cortasetos.
3. Eliminar la acumulación de suciedad y desechos del exterior de la unidad.
4. Apretar todos los tornillos y tuercas.
5. Volver a colocar la funda de la cuchilla.
6. Tapar el compartimento de la batería del cortasetos.
7. Guardar la unidad en un lugar seco, libre de polvo y fuera del alcance de los niños.

### **Batería**

1. Extraer la batería del cortasetos.
2. Guardarlo en un lugar seco, libre de polvo y fuera del alcance de los niños.
3. Almacenarla a temperaturas entre -20°C (-4°F) y 60°C (140°F).
4. Si va a almacenar la batería durante más de un año, cárguela a aproximadamente un 40 - 60% de su capacidad.

### **Cargador de la batería**

1. Extraer la batería del cargador.
2. Desconectar el cargador de la batería de la toma de corriente.
3. Guardarlo en un lugar seco, libre de polvo y fuera del alcance de los niños.

# Procedimiento para desechar el producto

---



- ♦ Las principales piezas de plástico que componen el producto llevan códigos que indican el material de que están hechas. Los códigos hacen referencia a los siguientes materiales; recicle dichas piezas de plástico según las normativas locales.

Marca	Material
>PA6-GF<	Nailon 6 - Fibra de vidrio
>PP-GF<	Polipropileno - Fibra de vidrio
>PE-HD<	Polietileno

- ♦ La batería contiene litio. Elimínela sólo en un punto de recogida autorizado.
- ♦ Las baterías de ion litio deben reciclarse o eliminarse correctamente.
- ♦ Póngase en contacto con su distribuidor ECHO si no sabe cómo debería deshacerse de las piezas de plástico o reciclarlas.

# Características técnicas

		DHC-200
<b>Masa:</b>		
sin batería	kg	3,3
con batería	kg	4,3
<b>Accesorio de corte:</b>		
Tipo		Acción doble, doble lado
Longitud de corte	mm	624
Inclinación	mm	30
Altura	mm	20
<b>Relación de engranajes y lubricación</b>		Reducción 12,2 y grasa de litio de buena calidad
<b>Dimensiones externas:</b> largo x ancho x alto (con batería)	mm	1196 x 232 x 197
<b>Batería:</b>		
Tipo		Li-Ion
Tensión del pack	V	56 (nominal 50,4)
Tipo de cargador		CCCV
Tensión de entrada del cargador	V	230 - 240 CA
<b>Luces del cargador de la batería:</b>		LED rojo - La temperatura de carga de la batería está fuera de los límites LED rojo parpadeando - Fallo LED verde - Fin de carga de la batería LED verde parpadeando - La batería está cargando normalmente
<b>Tiempo de carga:</b>		Batería LBP-560-100: Aproximadamente 42 minutos. Batería LBP-560-200: Aproximadamente 88 minutos.
<b>Nivel de presión acústica:</b> (EN60745-2-15)	dB(A)	70,4
<b>Nivel de potencia acústica:</b> (EN60745-2-15)	dB(A)	81
Incertidumbre	dB(A)	3
<b>Niveles de vibración:</b> (EN60745-2-15)		
Asidero delantero	m/s <sup>2</sup>	2,2
Asidero trasero	m/s <sup>2</sup>	2,9
Incertidumbre:K	m/s <sup>2</sup>	1,5

Estas características técnicas están sujetas a cambios sin previo aviso.

- ♦ El valor total de vibración declarado ha sido medido de acuerdo con un método de prueba estándar y puede utilizarse para la comparación de herramientas entre sí.
- ♦ El valor total de vibración declarado puede también utilizarse en evaluaciones preliminares de exposición.

# Declaración de conformidad

---

El fabricante abajo firmante:

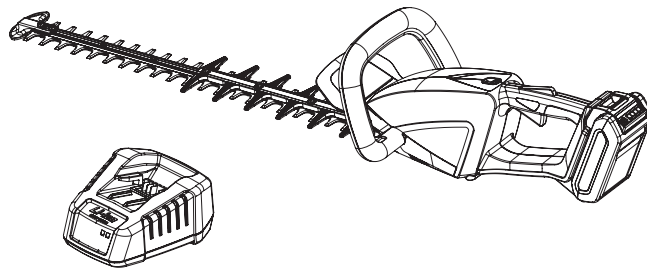
YAMABIKO CORPORATION  
7-2 SUEHIROCHO 1-CHOME  
OHME; TOKIO 198-8760  
JAPÓN

Declaración de conformidad publicada bajo la exclusiva responsabilidad del fabricante.

Declara que la unidad nueva aquí especificada:

**CORTASETOS PORTÁTIL  
CARGADOR DE BATERÍAS**

**Marca: ECHO  
Tipo: DHC-200  
LCJQ-560**



montado por:

ECHO, INCORPORATED  
400 Oakwood Road  
Lake Zurich, Illinois 60047-1564  
EE.UU.

Cumple con:

- \* Los requisitos de la directiva **2006/42/CE** (aplicación de la norma armonizada **EN 60745-1: 2009, EN 60745-2-15: 2009**)
- \* Los requisitos de la directiva **2014/30/UE** (aplicación de la norma armonizada **EN 55014-1: 2006, EN 55014-2: 1997, EN 61000-3-2: 2006, y EN 61000-3-3: 2008**)
- \* Los requisitos de la directiva **2014/35/UE** (aplicación de la norma armonizada **EN 60335-1: 2012, EN 60335-2-29: 2004, y EN 62233: 2008**)
- \* Los requisitos de la directiva **2000/14/CE**  
Procedimiento de valoración de conformidad según **ANEXO V**
- \* Los requisitos de la directiva **2011/65/UE** (aplicación de la norma armonizada **EN 50581: 2012**)

Nivel de potencia acústica medido: 81 dB(A)

Nivel de potencia acústica garantizado: 84 dB(A)

**DHC-200** Número de serie 35000001 y posteriores

**LCJQ-560** Número de serie 35001001 y posteriores

Tokyo, 1 de julio de 2016

**YAMABIKO CORPORATION**

**Masayuki Kimura**

**Director general**

**Departamento de Garantía de Calidad**

**El representante autorizado en Europa que esta autorizado para compilar el expediente técnico.**

Empresa: Atlantic Bridge Limited

Dirección: Atlantic House, PO Box 4800,

Earley, Reading RG5 4GB, Reino Unido

**Sr. Philip Wicks**

# MEMORANDO

# YAMABIKO CORPORATION

7-2 SUEHIROCHO 1-CHOME, OHME, TOKIO 198-8760, JAPÓN  
TELÉFONO: 81-428-32-6118. FAX: 81-428-32-6145.



X750-027400

X750817-0301



# YAMABIKO CORPORATION

7-2 SUEHIROCHO 1-CHOME, OHME, TOKYO 198-8760, JAPAN  
PHONE: 81-428-32-6118. FAX: 81-428-32-6145.



X750-027400

X750817-0301