



- GB ENGLISH
- FR FRANÇAIS
- DE DEUTSCH
- IT ITALIANO
- ES ESPAÑOL

OPERATOR'S MANUAL MANUEL D'UTILISATION BEDIENUNGSANLEITUNG MANUALE PER L'OPERATORE MANUAL DE INSTRUCCIONES

DSRM-2600

WARNING



READ THE INSTRUCTIONS CAREFULLY AND FOLLOW THE RULES FOR SAFE OPERATION. FAILURE TO DO SO COULD RESULT IN SERIOUS INJURY.

AVERTISSEMENT



LIRE ATTENTIVEMENT LES INSTRUCTIONS ET SUIVRE LES RÈGLES DE SÉCURITÉ. LE NON-RESPECT DES RÈGLES DE SÉCURITÉ ENTRAÎNE UN RISQUE DE BLESSURE GRAVE.

WARNUNG



LESEN SIE DIE BEDIENUNGSANLEITUNG SORGFÄLTIG DURCH, UND BEFOLGEN SIE DIE SICHERHEITSREGELN. ANDERNFALLS BESTEHT DAS RISIKO SCHWERER VERLETZUNGEN.

AVVERTENZA



LEGGERE E SEGUIRE ATTENTAMENTE LE ISTRUZIONI PER LAVORARE IN CONDIZIONI DI MASSIMA SICUREZZA. LA MANCATA OSSERVANZA DELLE ISTRUZIONI POTREBBE PROVOCARE LESIONI GRAVI.

ADVERTENCIA



LEA ATENTAMENTE LAS INSTRUCCIONES Y SIGA LAS INDICACIONES PARA UN FUNCIONAMIENTO SEGURO. DE NO HACERLO, PODRÍA SUFRIR LESIONES GRAVES.





ENGLISH
GB (Original instructions)

OPERATOR'S MANUAL

GRASS-TRIMMER/BRUSHCUTTER

DSRM-2600

 **WARNING**



**READ THE INSTRUCTIONS CAREFULLY AND FOLLOW THE
RULES FOR SAFE OPERATION.
FAILURE TO DO SO COULD RESULT IN SERIOUS INJURY.**

Contents

For safe use of your product.....	3
Description.....	8
Before you start	9
Packing list	9
Charging the battery	10
Assembly	11
Loop handle version	11
U-handle version.....	11
Adjusting the balance	13
Battery Installation	13
Operation	15
Starting the unit	15
Stopping the unit.....	16
Trimming operation.....	17
Using shoulder harness	18
Basic trimming operation with nylon line cutting head	18
Basic trimming operation with metal blade	21
Maintenance and care	22
Servicing guidelines.....	22
Maintenance and care	22
Storage	26
Disposal.....	26
Specifications.....	27
Declaration of conformity	28

For safe use of your product

Important information

WARNING

Please ensure that you read the operator's manual before using your product.

About your operator's manual

- This manual contains necessary information about the assembly, operation, and maintenance of your product. Please read it carefully and absorb its contents.
- Always keep your manual in a place where it is readily accessible.
- If you have lost your manual or it is damaged and no longer readable, please purchase a new one from your dealer.
- The units used in this manual are SI units (International System of Units). Figures in parentheses are reference values, and there may be a slight conversion error in some cases.
Failure to do so could lead to an accident or serious injury.

Intended use of this product

- This product is lightweight, high-performance unit designed for weed control and grass trimming in areas difficult to control by any other means.
- Do not use this unit for any purpose other than aforementioned.
- The content of this manual may be changed without notice for the purpose of upgrades to the product. Some of the illustrations used may differ from the product itself in order to make the explanations clearer.
- Please consult your dealer if anything is unclear or of concern.
Failure to do so could lead to an accident or serious injury.

Do not modify the product

- You must not modify the product.
To do so could lead to an accident or serious injury. Any malfunction resulting from a modification to the product will not be covered by the manufacturer's warranty.

Do not use the product unless it has been checked and maintained

- You must not use the product unless it has been checked and maintained. Always ensure that the product is checked and maintained on a regular basis.
Failure to do so could lead to an accident or serious injury.

Loaning or assigning your product

- When loaning your product to another party, ensure that the person borrowing the product receives the operator's manual along with it.
- If you assign your product to another party, please enclose the operator's manual with the product when handing it over.
Failure to do so could lead to an accident or serious injury.

Users of the product

- The product should not be used by:
 - ◆ people who are tired
 - ◆ people who have taken alcohol
 - ◆ people who are on medication
 - ◆ people who are pregnant
 - ◆ people who are in poor physical condition
 - ◆ people who have not read the operator's manual
 - ◆ children
- Keep in mind that the operator or user is responsible for accidents or hazards occurring to other people or their property.
Failure to observe these instructions could lead to an accident.
- The components of this machine generate an electromagnetic field during operation, which may interfere with some pacemakers. To reduce health risks, we recommend that pacemaker users consult their physician and the pacemaker manufacturer before operating this product.



For safe use of your product

WARNING

Vibration and cold

- It is believed that a condition called Raynaud's Phenomenon which affects the fingers of certain individuals may be brought about by exposure to vibration and cold. Exposure to vibration and cold may cause tingling and burning, followed by loss of colour and numbness in the fingers. The following precautions are strongly recommended because the minimum exposure which might trigger the ailment is unknown.
 - ◆ Keep your body warm, especially the head and neck, feet and ankles, and hands and wrists.
 - ◆ Maintain good blood circulation by performing vigorous arm exercises during frequent work breaks, and also by not smoking.
 - ◆ Limit the number of hours of operation. Try to fill each day with jobs where operating the trimmer or other hand-held power equipment is not required.
 - ◆ If you experience discomfort redness and swelling of the fingers, followed by whitening and loss of feeling, consult your physician before exposing yourself further to cold and vibration.

Failure to observe these instructions could result in damage to your health.

Repetitive stress injuries

- It is believed that over-using the muscles and tendons of the fingers, hands, arms and shoulders may cause soreness, swelling, numbness, weakness and extreme pain to the areas just mentioned. Certain repetitive hand activities may put you at a high risk for developing a repetitive stress injury (RSI). To reduce the risk of RSI, do the following:
 - ◆ Avoid using your wrist in a bent, extended or twisted position.
 - ◆ Take periodic breaks to minimize repetition and rest your hands. Reduce the speed and force in which you do the repetitive movement.
 - ◆ Do exercises to strengthen hand and arm muscles.
 - ◆ See a doctor if you feel tingling, numbness or pain in your fingers, hands, wrists or arms. The sooner RSI is diagnosed, the more likely permanent nerve and muscle damage can be prevented.

Failure to observe these instructions could result in damage to your health.

Proper training

- Do not permit operation without proper training and protective equipment.
- Be thoroughly familiar with the controls and proper use of unit.
- Know how to stop the unit and switch off the motor.
- Know how to unhook a harnessed unit quickly.
- Never allow anyone to use the unit without proper instruction.

Failure to observe these instructions could result in damage to your health.

Wear proper clothing.

- Secure hair so it is above shoulder length.
- Do not wear ties, jewellery, or loose, dangling clothing which could be caught in the unit.
- Do not wear open toed footwear, or go bare-foot or barelegged.

Failure to observe these precautions could result in damage to your sight or hearing, or lead to a serious injury.



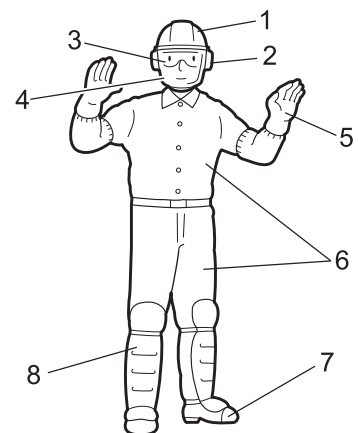
Wear protective gear

- Always wear the following protective gear when working with the trimmer.
 1. Head protection (helmet): Protects the head
 2. Ear muffs or ear plugs: Protect the hearing
 3. Safety goggles: Protect the eyes
 4. Face shield: Protects the face
 5. Safety gloves: Protect the hands from cold and vibration
 6. Work clothes that fit (long sleeves, long trousers): Protect the body
 7. Heavy duty, non-slip protective boots (with toecaps) or non-slip work shoes (with toecaps): Protect the feet
 8. Shin guards: Protect the legs

Failure to observe these precautions could result in damage to your sight or hearing, or lead to a serious injury.

- When necessary, please use the protective gear below.

- ◆ Dust mask: Protects the breathing apparatus
- ◆ Bee net: To deal with attacks by bees



For safe use of your product

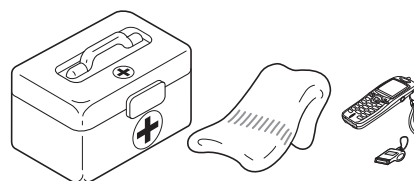
WARNING

Environment of use and operation

- Do not use the product:
 - ◆ in damp or wet locations.
 - ◆ in the rain.
 - ◆ under poor weather conditions.
 - ◆ on steep slopes or in places which give no secure foothold and are thus slippery.
 - ◆ at night or in dark places with poor visibility.
 - ◆ when there is a risk of lightning.
- When using the product on a gentle slope, work in a level, contour-like motion.
A serious injury could result if you fall or slip, or fail to operate the product correctly.
- For your own health and your safe and comfortable work, operate the machine within the air temperature range of -5°C to 40°C .
Failure to observe these instructions could result in damage to your health.

Being prepared in case of an injury

- In the unlikely event of an accident or injury, please ensure that you are prepared.
 - ◆ First aid kit
 - ◆ Towels and wipes (to stop any bleeding)
 - ◆ Whistle or mobile phone (for calling outside help)
- If you are unable to perform first aid or call for outside help, the injury could worsen.



Warning notices

DANGER

This symbol accompanied by the word "**DANGER**" calls attentions to an act or a condition which will lead to serious personal injury or death of operators and bystanders.

WARNING

This symbol accompanied by the word "**WARNING**" calls attentions to an act or a condition which can lead to serious personal injury or death of operators and bystanders.

CAUTION

"**CAUTION**" indicates a potentially hazardous situation which, if not avoided, may result in minor or moderate injury.

Other indicators



Circle and slash symbol means whatever is shown is prohibited.





NOTE

This enclosed message provides tips for use, care and maintenance of the product.











IMPORTANT

Framed text featuring the word "**IMPORTANT**" contains important information about the use, checking, maintenance and storage of the product described in this manual.

Symbols

Symbol form/shape	Symbol description/application	Symbol form/shape	Symbol description/application
	Carefully read the operator's manual		Remove the battery before maintenance and care.
	Wear eyes, ears and head protection		Keep bystanders away 15 m

For safe use of your product

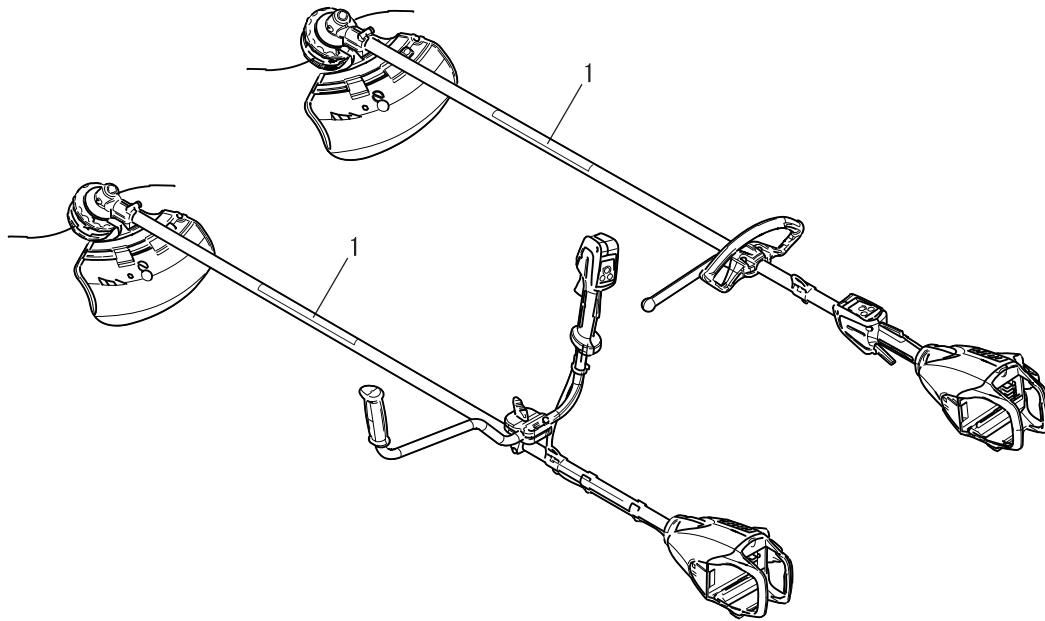
Symbol form/shape	Symbol description/applica- tion	Symbol form/shape	Symbol description/applica- tion
	Warning, side thrust		Wear foot protection and gloves
	Safety/Alert		Beware of high-temperature areas
	Warning! Thrown objects!		Guaranteed sound power level
	Usage of metal blades not permitted		Usage of nylon line cutting head not permitted
	Beware of fire		Do not throw electrical appliances in garbage
<u>IPX4</u>	Protected against splashing water		

For safe use of your product

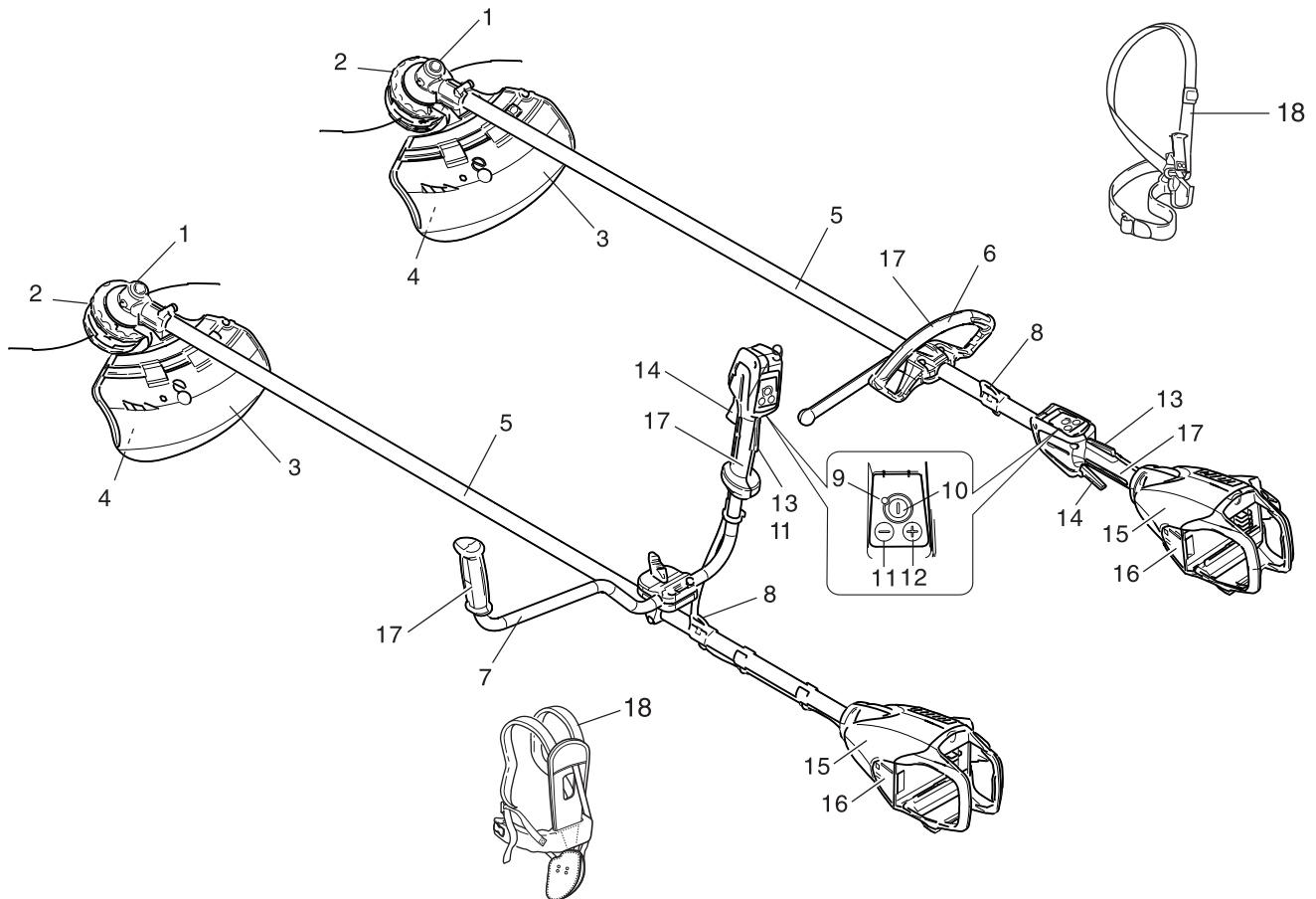
Safety decal(s)

- The safety decal shown below has been attached to the products described in this manual. Ensure that you understand what the decal means before using your product.
- If the decal becomes unreadable due to wear and tear or damage, or peels off and is lost, please purchase a replacement decal from your dealer and attach it in the location shown in the illustrations below. Ensure that the decal is readable at all times.

1. Safety decal (Part number X505-011600)



Description

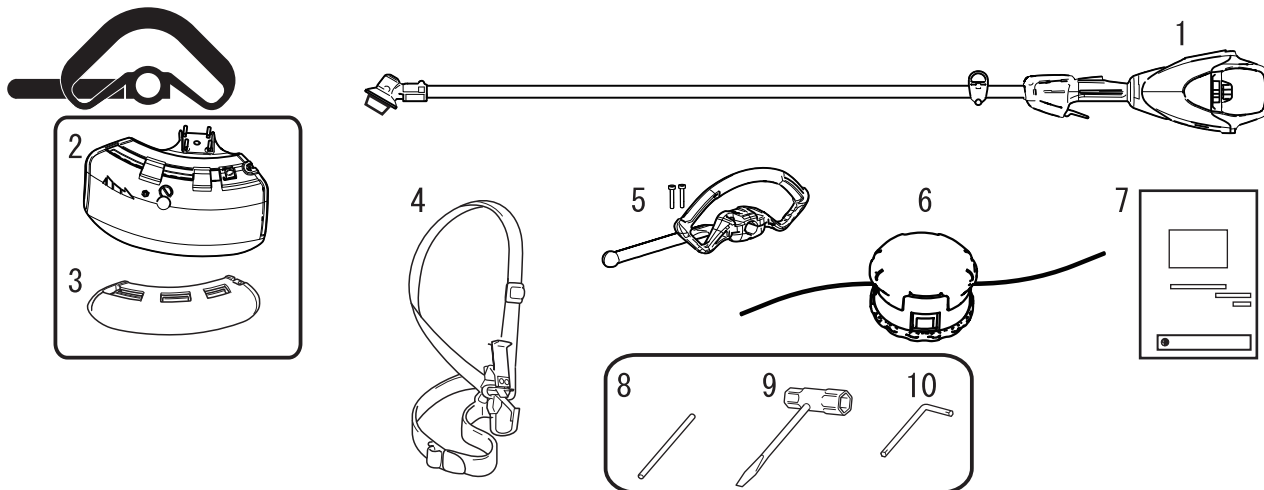


1. **Angle transmission** Having two gears to change the angle of rotating axis.
2. **Cutting attachment** Nylon line cutting head for cutting grass and weed.
3. **Shield** Device to protect the operator from accidental contact with the cutting head and thrown objects.
4. **Cut off knife** Cut nylon line to adjust line length to proper swath.
5. **Shaft tube** Part of the unit that provides a casing for power transmission shaft.
6. **Loop-handle** Light weight, suitable for nylon line trimmer.
7. **U-handle** Having the configuration of a bicycle handle bar to reduce working effort compared to a loop-handle.
8. **Suspension point** Device on which the harness can be hooked.
9. **Power indicator LED** - Remains illuminated when power to unit is turned on. Turns off when power to unit is off.
10. **Power button** - Press once to turn on power to the unit, power indicator LED illuminates. Press once more to turn power off to unit, power indicator LED turns off.
11. **- button**
12. **+ button**
13. **Trigger switch lockout** - Locks trigger switch in the off position until you have a proper grip with your right hand around the handle.
14. **Trigger switch** - Activated by the operator's finger for turning the motor on.
15. **Power head** – Houses Motor and Battery.
16. **Type and serial number**
17. **Gripping surface**
18. **Shoulder harness** - An adjustable strap to suspend unit.

Before you start

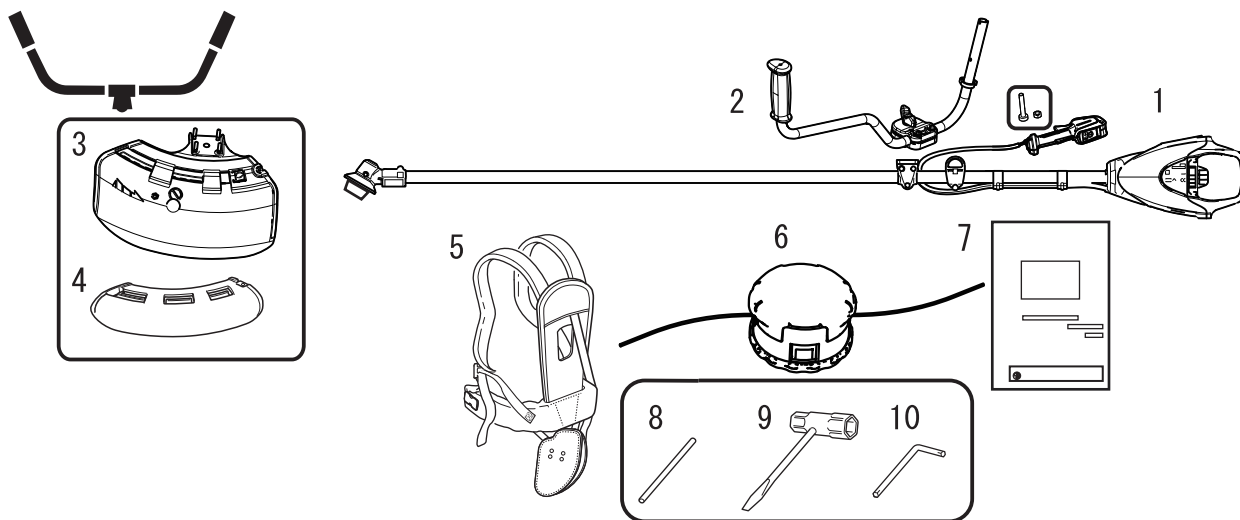
Packing list

- The following parts are packed separately in the packing box.
- When you have unpacked the box, please check the parts that it contains.
- Contact your dealer if anything is missing or broken.



1. Motor unit and shaft tube
2. Shield (for nylon line cutting head)
3. Shield (for metal blade)
4. Shoulder harness
5. Loop handle

6. Nylon line cutting head
7. Operator's manual
8. Locking tool
9. Socket wrench
10. L-wrench



1. Motor unit and shaft tube
2. U-handle
3. Shield (for nylon line cutting head)
4. Shield (for metal blade)
5. Shoulder harness

6. Nylon line cutting head
7. Operator's manual
8. Locking tool
9. Socket wrench
10. L-wrench

Before you start

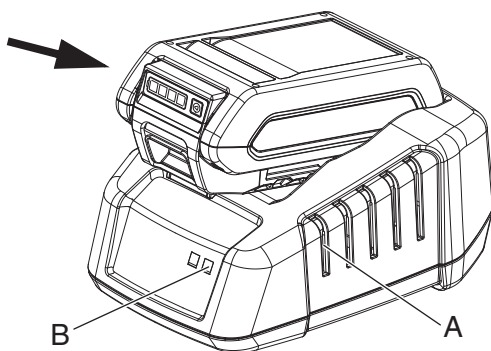
Charging the battery

⚠ WARNING

- Always use battery pack LBP-560-100/LBP-560-200 and charge only with LCJQ-560 or LCJU-560 charger.
- Keep charger and battery away from damp conditions and all liquids.
- Do not operate the charger on an easily combustible surface (e.g. paper, textiles) or in an environment with a high risk of fire.
- Do not cover the charger. Covering the charger will prevent it from cooling.
- Do not operate the charger in explosive atmospheres, such as in the presence of flammable liquids, gases or dust. Chargers can produce sparks which may ignite the dust or fumes - there is a risk of explosion.
- Connect the charger only to the mains of voltage and frequency specified on the rating plate.
- Connect the charger only to an easily accessible wall outlet.
- Never insert objects in the battery pack's or charger's cooling slots (A).
- Do not charge or use a defective, damaged or deformed battery pack and charger.
- Do not open, damage or drop the battery pack or the charger.
- Fluid may leak from the battery if it is damaged or not used properly; avoid contact with the skin. In the event of accidental contact, wash the affected areas of the skin with plenty of water and soap. If fluid gets in the eyes, do not rub. Rinse the eyes with plenty of water for at least 15 minutes. Also seek medical assistance.
- Never bridge (short circuit) the battery pack contacts or the charger's terminals with metallic objects.
- Protect from direct sunlight, heat and open flames and never throw battery into fire; there is a risk of explosion.
- In the event of smoke or fire in the charger, disconnect it from the wall outlet immediately.
- If the connecting cord is damaged, immediately disconnect the plug from the power supply to avoid the risk of electric shock.
- Do not expose battery pack to microwaves or high pressure.
- Secure the unit against unintentional startup. Remove the battery pack from the unit before transporting or storing the unit. Do not use metal containers for transporting batteries.
- Do not use the connecting cord for any other purpose, e.g. for carrying or hanging up the charger.
- To reduce the risk of stumbling, position and mark the connecting cord in such a way that it cannot be damaged or endanger others.
- To unplug, grasp the plug, not the cord.

NOTE

- The battery comes partially charged from the factory and needs to be fully charged before first use.
- Charge the battery when it no longer produces sufficient power to operate the unit or when battery lights indicate that the battery is low.

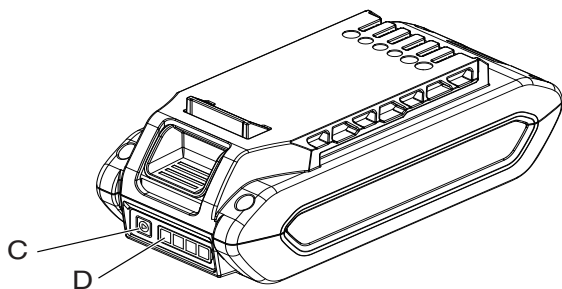


1. Plug charger AC cord in the wall outlet.
2. Align ridges on battery with grooves on charger, and slide battery into charger.
3. During normal charging, the charger LED (B) will blink continuously GREEN.

IMPORTANT

- If charger detects a problem, LED blinks RED. Remove battery from charger, clear obstructions from contacts and reinstall battery into charger. If battery is outside acceptable temperature range (0°C to 60°C) LED remains RED.

Before you start



4. When charging is complete, LED will remain GREEN.
5. Verify battery is fully charged by removing battery from charger, then pressing battery charge status button (C), and checking LED display (D).
 - ♦ One green light indicates that the battery has 0-25% charge.
 - ♦ Two green lights indicate that the battery has 25-50% charge.
 - ♦ Three green lights indicate that the battery has 50-75% charge.
 - ♦ Four green lights indicate that the battery has 75-100% charge.
6. Disconnect battery charger from power supply.

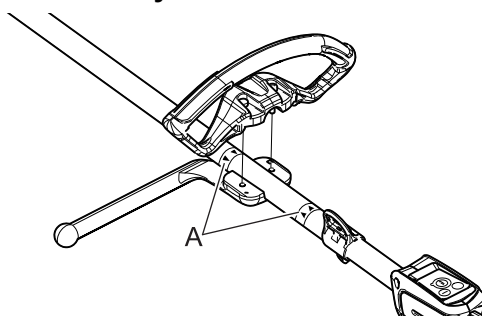
Assembly

WARNING

- Read the operator's manual carefully to ensure that you assemble the product correctly. Using a product that has been incorrectly assembled could lead to an accident or serious injury.



Loop handle version Loop handle assembly

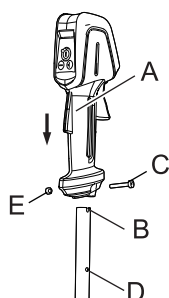


Position handle in comfortable operating position and tighten Bolts.

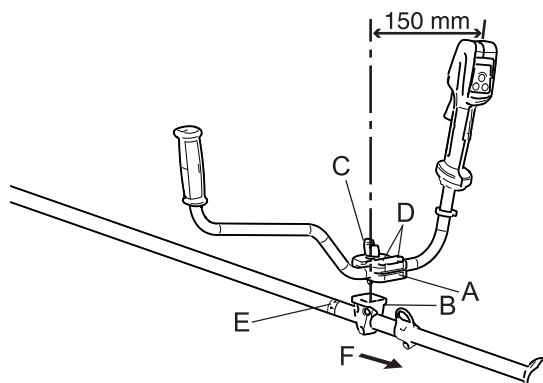
CAUTION

- Install the handle between the marks (A).

U-handle version U-handle assembly



1. Slip the right-side handle into the throttle grip (A) and fit it to the slot (B) for rotation prevention.
2. Locate the throttle grip so that the bolt (C) can pass through the stopper hole (D).
3. Securely tighten the screw and nut (E).

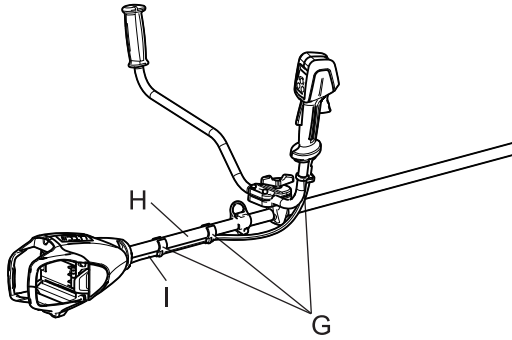


1. Install handle assembling bracket (upper) (A) in handle assembling bracket (lower) (B) and fix handle by tightening handle assembling bolt (C) lightly.
 2. Adjust inclination of handle to adequate position (easy to operate) and tighten firmly handle assembling bolt.
 - * To adjust the fixture bolt (D) proceed (As needed)
 - (1) Tighten the bolts until snug.
 - (2) Loosen the bolts 1 1/2 turn.
- E: Arrow
F: To power head

CAUTION

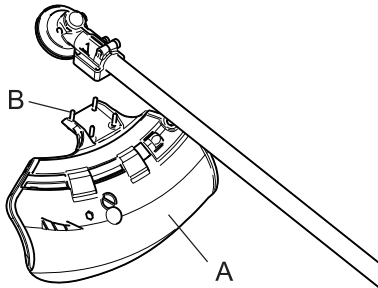
- Install the handle to the power head side from the arrow mark.

Before you start



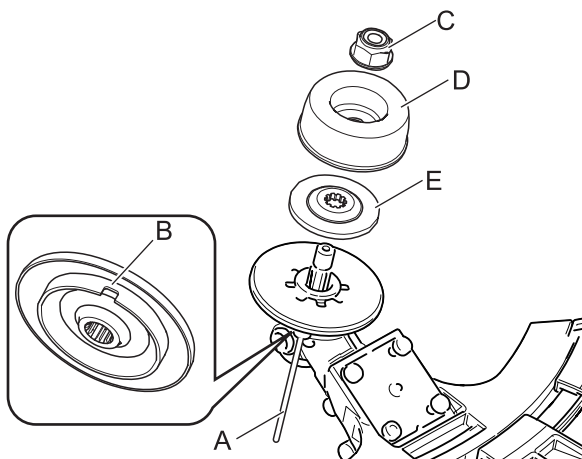
3. To eliminate loosening of cable (I), fix it to shaft tube (H) (2 places) and to right hand U-handle (1 place) with fixing clips (G).

Installation of shield



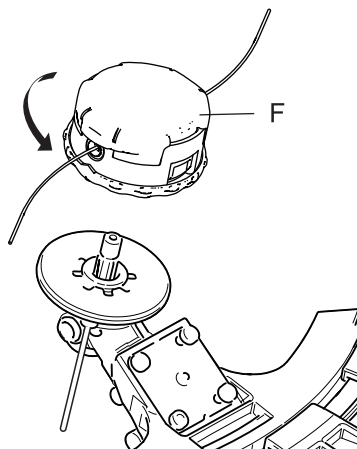
1. Fit shield (A) to mounting portion of angle transmission and tighten 4 bolts (B).

Installing nylon line cutting head



1. Insert locking tool (A) into a hole located on the right side of angle transmission while forcing retainer spring to the left side.
2. Insert locking tool further into blade retainer fixing slot (B) to fix output shaft.
3. Using the socket wrench, remove the nut (C), cup (D), and lower blade retainer (E).

* Nut, cup, and lower blade retainer are not used with a nylon line cutting head.



4. Thread nylon line cutting head (F) onto shaft (anticlockwise) until it is tight.
5. Remove locking tool.

CAUTION

○ Fix output shaft securely using locking tool in order to prevent it from rotating when nylon cutting head is mounted.

Before you start

Adjusting the balance Adjusting the shoulder harness

⚠ WARNING

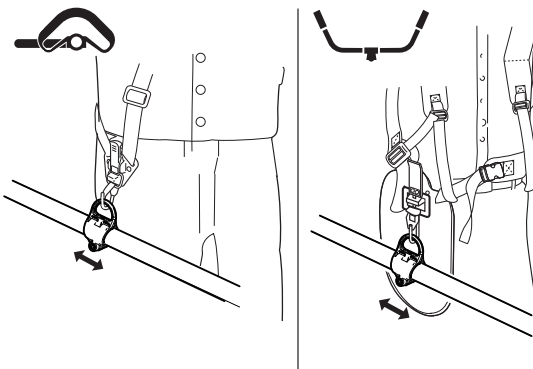
○ This product is designed to fit a wide variety of body sizes, but may not be adjustable for extremely tall persons. Do not use the unit if your feet can reach the cutting attachment when the unit is attached to the harness.

IMPORTANT

○ A person's size can affect the balancing adjustment. Also the balancing procedure may not work with some units on some persons. If the shoulder harness does not fit you or cannot be adjusted well, please ask your dealer for assistance.



Balance tool for a level plane of cutting head rotation



- ♦ The accompanying shoulder harness is suitable for people of standard adult physique, who are 150 cm - 195 cm in height and 60 cm - 140 cm in waist size.
- ♦ Use a shoulder harness when provided or when recommended in this manual. Adjust both harness and the suspension point (A) on the unit so the unit hangs with the cutting attachment a few centimetres above ground level (B).
- ♦ The cutting attachment and shield should be level in all directions. Harness the unit on the right side as shown.

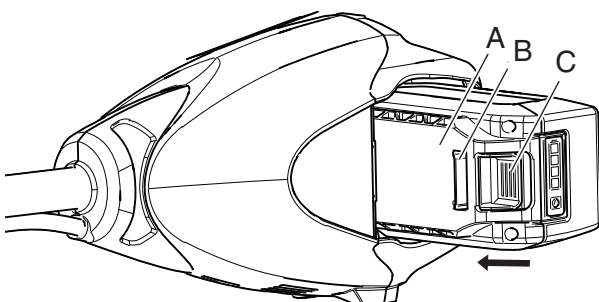
- ♦ Slide suspension point up and down the tube to find the right balance. Rotate the clamp to level the cutting attachment and shield. Lock in position. If the suspension point is a free-spinning type, the unit may tend to roll over sideways, however, you should still level the attachment and shield on the front-to-rear axis.
- ♦ Balancing and levelling, as above, may require relocation of the clamp and readjustment of the harness straps. Also, each type of cutting attachment and shield mounted on the unit may require balancing.

Battery Installation

⚠ WARNING

○ The attachment will operate when the battery is installed, the power indicator LED is lit, and the trigger and trigger lockout are engaged. Make sure the unit is properly positioned to prevent loss of control and possible serious injury. Keep movable parts of the attachment off the ground and away from objects that could become entangled or thrown.

○ Remove the battery when leave the unit.

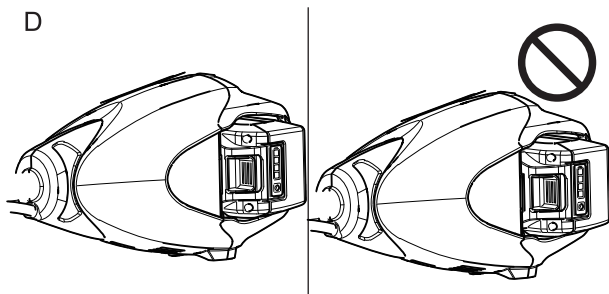


1. Make sure power to unit is turned off.
2. Align ridges (A) on battery pack with grooves in power head. Slide battery pack into power head.
3. Assure the battery pack latch (B) snaps into place and battery pack is secure before beginning operation.
4. To remove battery, depress battery pack latch release (C) slide battery pack out of power head.

NOTE

- ♦ Battery pack latch is in the complete position when battery pack latch is correctly engaged.

Before you start



IMPORTANT

Before using the unit, make sure that battery is set correctly with battery pack latch in the complete position (D).

DANGER

- All over head electrical conductors and communications wires can have electricity flow with high voltages. This unit is not insulated against electrical current. Never touch wires directly or indirectly, otherwise serious injury or death may result.

WARNING

- Do not operate the unit in explosive atmospheres, such as in presence of flammable liquids, gases or dust. The unit creates sparks which may ignite the dust or fumes.

Be particularly careful to observe the following precautions when starting the unit:

- Check that none of the nuts and bolts are loose.
- A wrench or locking tool did not leave attached to a rotating part of the unit.
- Leave plenty of space around the product and do not allow people or animals near it.
Failure to observe the precautions could cause an accident or injury, or even lead to a fatality.

- Check that there are no abnormal vibrations or sounds once the unit starts. Do not use the product if there are abnormal vibrations or sounds. Contact your dealer to have it repaired.
Accidents involving parts that fall or shatter off can cause wounds or serious injury.

- Always switch off the unit and remove the battery when transporting the unit.

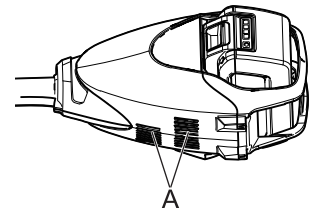
- Do not touch angle transmission and other high temperature components while the product is running or for some time after it stops.
You could burn yourself if you touch a high temperature component.



- Never operate overreach the unit and to keep the balance at all times, to always be sure of the footing on slopes and to walk, never run.
- Never to operate the unit with defective guards or shields, or without safety devices, or if the cord is damaged or worn.

IMPORTANT

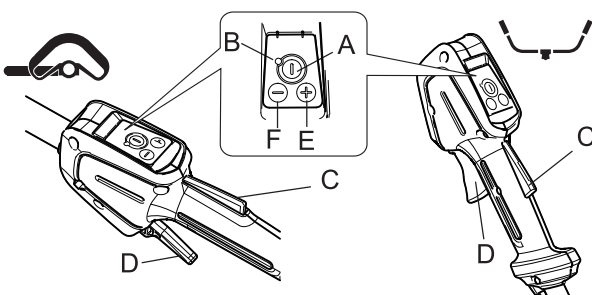
- Always ventilation slots (A) keep clean.



Starting the unit

WARNING

- The attachment will operate when the battery is installed, the power indicator LED is lit, and the trigger switch and trigger switch lockout are engaged. Make sure the product is properly positioned to prevent loss of control and possible serious injury.



1. Check to ensure that the cutting attachment does not come into contact with the surface of the ground or any other impediment using a beam or other such implement.
2. Push power button (A) once to turn on power to unit.
* Power indicator LED (B) illuminates when power to unit is turned on.
3. Hold down trigger switch lockout (C) and depress trigger switch (D) to increase RPM to operating speed.
4. To increase speed, push + button (E).
5. To decrease speed, push - button (F).
6. There are three speed to be kept
7. If you press + button (E) for one second then keep the speed at that time.

Operation

8. Not to keep the speed, push + button.

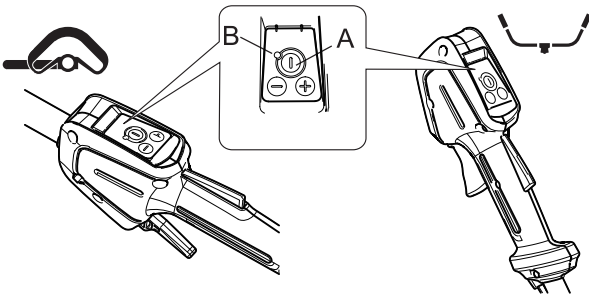
IMPORTANT

- When power to the unit is turned on:
 - After 90 seconds of inactivity, unit will power itself off.
 - If the LED remains lit, operation is normal.
 - If the LED flashes once per second, the battery needs to be charged.
 - If the LED flashes four times per second, there is a fault within the product. Turn power off to unit. Remove battery. Clear debris from around line head. Install battery. Turn power on to unit. If flashing continues, have your authorized servicing dealer repair the product.

Stopping the unit

WARNING

- The cutting attachment continues to run for a short period after the unit is switched off.



1. Release trigger switch and trigger switch lockout, and allow trimmer head to stop.
2. Push power button (A) to turn off power to unit.
 - * Power indicator LED (B) turns off when power to unit is turned off.
 - * If the trimmer head does not stop when the trigger and trigger lockout are released, push power button to turn off and remove the battery to stop the power supply to product. Have your authorized servicing dealer repair power button before using product again.

Trimming operation

DANGER

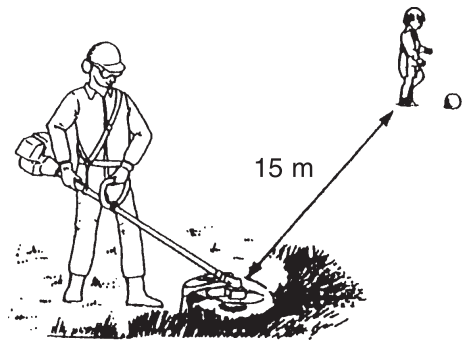
- **Always stop the unit and remove the battery when a cutting attachment jam occurs.**
Severe injury can occur if a jam is removed and the cutting attachment suddenly starts.

- **Do not operate the product without the shield in place.**
Any objects that ricochet off the cutting attachment could cause an accident or serious injury.

- **The area within a 15 m radius of the product is a danger zone. Be careful to observe the following precautions while working with the product.**

- ◆ **Do not allow children and other people or pets to enter the danger zone.**
- ◆ **If another person enters the danger zone, turn off the unit to stop the cutting attachment from rotating.**
- ◆ **When approaching the operator, signal to him by, for example, throwing twigs from outside the danger zone, and then check that unit has been switched off and the cutting attachment has stopped turning.**
- ◆ **If more than one person is working with the product, identify the way in which you will signal to each other and work at least 15 m apart.**

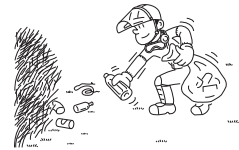
Any objects that ricochet off the cutting attachment, and any contact with the cutting attachment, could cause blindness or a fatal accident.



WARNING

- **Before starting work, check the area where you will be working and remove any small stones and empty cans likely to ricochet off the cutting attachment, as well as any pieces of string or wire that might become twisted around the cutting attachment.**

An accident or serious injury can occur if foreign objects ricochet off the cutting attachment or wire and other materials twisted round the product spring off it.



- **In the following situations, turn off the unit immediately and ensure that the cutting attachments have stopped before checking each area of the product. Replace any damaged parts.**

- ◆ **If the cutting attachment hits a rock, tree, post, or other such obstruction while you work.**
- ◆ **If the product suddenly starts to vibrate abnormally.**

Continuing to use parts when they are damaged could lead to an accident or serious injury.

- **Do not hold the cutting attachment up while you work. You must not work with the cutting attachments raised above knee level.**

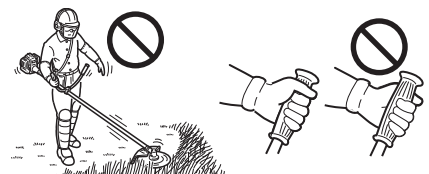
Raising the cutting attachment above knee level brings the plane of rotation closer to the face, and any objects that fly off the cutting attachments could cause an accident or serious injury.

Transport of the product

- **When transporting in the situations described below, turn off the unit and ensure that the trimmer blade has stopped rotating, then fit the trimmer blade cover.**
 - ◆ **Moving to the place where you are working.**
 - ◆ **Moving to another area while you are working.**
 - ◆ **Leaving the place where you have been working.**
- **When transporting the product by car, remove the battery pack from the unit, fit the blade cover, and secure the product firmly in place to prevent it from moving around.**

Failure to observe these precautions could cause burns or serious injury.

- **Never attempt to operate the product with one hand.**
- **Ensure that you hook your thumbs around the grips, wrapping them in your thumb and remaining fingers.**
- **Keep handles and grasping surfaces dry, clean and free from oil and grease.**
Slippery handles and grasping surfaces do not allow for handling and control of the unit in unexpected situations.



NOTE

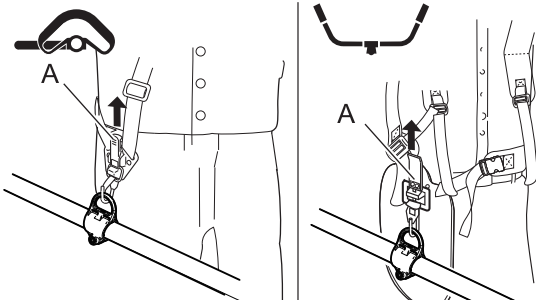
- When you first use this product under low temperature after purchase, it may not operate smoothly in rare instances. This phenomenon does not indicate a product failure. In this case, condition the unit to room temperature (normal temperature), and turn on and off power to the unit repeatedly before use.

Trimming operation

Using shoulder harness

WARNING

- Do not to simultaneously wear multiple belt harnesses or multiple shoulder harnesses.
- When wearing a harness, other wearable must not interferes with the release and removal of the harness.
Failure to do so could lead to an accident or serious injury.



Always mount the trimmer correctly using the shoulder harness.

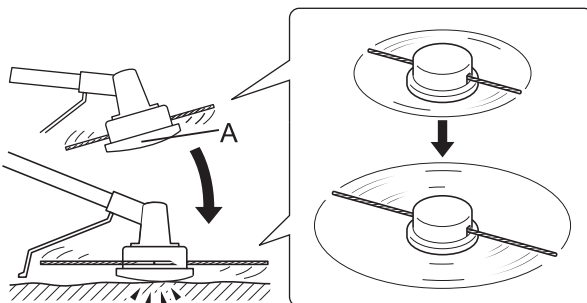
- ◆ Buckle waist belt. Belt should be snug.
- ◆ Attach product to harness.
- ◆ Loop handle version
Place shoulder harness over left shoulder and adjust straps so the quick release pin rests just below the waist.
- ◆ U-handle version
Place shoulder harness over both shoulders and adjust straps so the connecting point latches as shown.
- ◆ Check for correct adjustment by moving cutting attachment along ground.
- ◆ Re-adjust position of suspension point if necessary.
- ◆ The shoulder harness is fitted with an emergency release function.
 - ◆ In the event of a fire or other emergency, pull the emergency tab (A) up to release the product from your body.

Basic trimming operation with nylon line cutting head

WARNING

- Serious injury may result from the improper use of cutting attachment. Read and comply with all safety instructions listed in this manual.
- Do not operate with a damaged cutter.
- Use only cutting attachments recommended by YAMABIKO Corporation.
- Excessive nylon line beyond cut off knife could fly off when the nylon line cutting head starts rotating after adjustment of nylon line length.
Failure to do so could lead to an accident or serious injury.

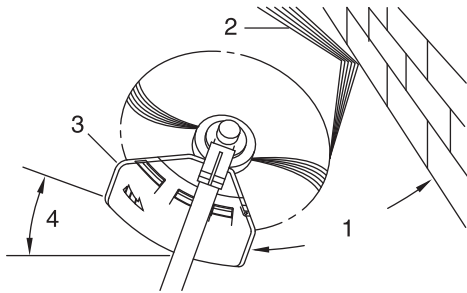
Adjusting nylon line



- ◆ Cut off knife on the shield adjusts cutting swath automatically by cutting nylon lines evenly when attachment starts rotating.
- ◆ When operating with less than maximum cutting swath, cut two nylon lines in equal lengths.
- ◆ To advance trimmer line, tap the nylon line cutting head (A) against the ground while the head is turning at normal operating speed.

Trimming operation

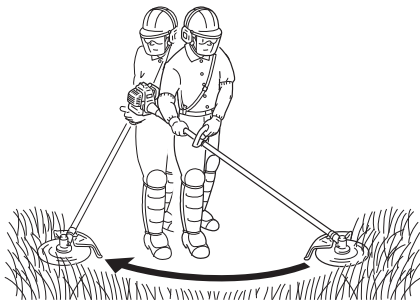
Trimming



- ♦ This is feeding the trimmer carefully into the material you wish to cut. Tilt the head slightly to direct the debris away from you. If cutting up to a barrier such as a fence, wall or tree, approach from an angle where any debris ricocheting off the barrier will fly away from you.
- ♦ Move the nylon line cutting head slowly until the grass is cut right up to the barrier, but do not jam (overfeed) the line into the barrier. If trimming up wire mesh or chain link fencing, be careful to feed only up to the wire. If you go too far, the line will snap off around the wire.
- ♦ Trimming can be done to cut through weed stems one at a time. Place the nylon line cutting head near the bottom of the weed never high up, which could cause the weed to chatter and catch the line. Rather than cut the weed right through, just use the very end of the line to wear through the stem slowly.

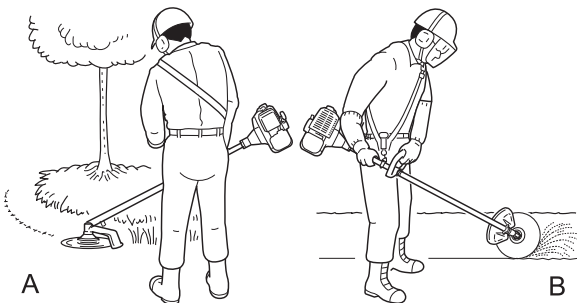
1. Angle to wall
2. Debris
3. Knife side raised
4. Angle to ground

Scything

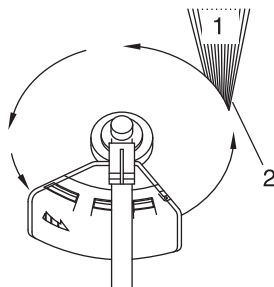


- ♦ This is the cutting or mowing of large grassy areas by sweeping or swinging the trimmer in a level arc. Use a smooth, easy motion. Do not try to hack or chop down the grass. Tilt the nylon line cutting head to direct the debris away from you on the scything stroke. Then return without cutting grass for another stroke. If you are well protected and do not care whether some debris is thrown in your direction, you may scythe in both directions.

Scalping and edging



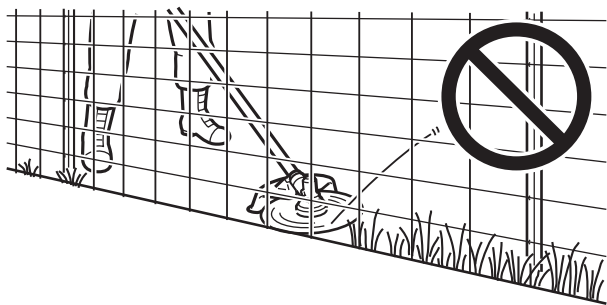
- ♦ Both of these are done with the nylon line cutting head tilted at a steep angle. Scalping (A) is removing top growth, leaving the earth bare. Edging (B) is trimming the grass back where it has spread over a pavement or driveway. During both edging and scalping, hold the unit at a steep angle in a position where the debris, and any dislodged dirt and stone, will not come back towards you even if it ricochets off the hard surface.
- ♦ Although the pictures show how to edge and scalp, every operator must find for himself the angles which suit his body size and cutting situation.



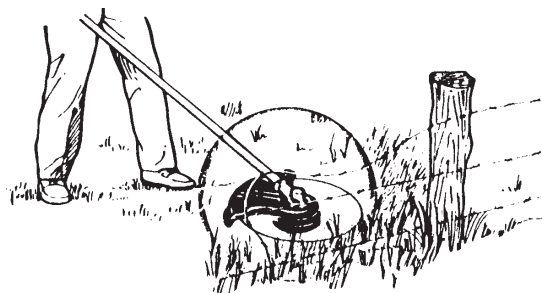
- ♦ For nearly all cutting, it is good to tilt the nylon line cutting head so that contact is made on the part of line circle where the line is moving away from you and the shield (See appropriate picture). This results in the debris being thrown away from you.
- ♦ Tilting the head to the wrong side will shoot the debris toward you. If the nylon line cutting head is held flat to the ground so that cutting occurs on the whole line circle, debris will be thrown at you, drag will slow the unit, and you will use up a lot of line.
- ♦ Nylon line cutting head rotates anticlockwise. The knife will be on the left side of the shield.

1. Debris
2. Cut on this side

Trimming operation



- ♦ Do not push the line into tough weeds, trees, or wire fences.
- ♦ Pushing the line into chicken wire, chain link fencing or thick brush can result in snapped-off line ends being hurled back at the operator. The proper way is to cut right up to a barrier, such as any of those mentioned, but never run the line into or through the obstruction. Do not cut closely to obstruction or barrier.



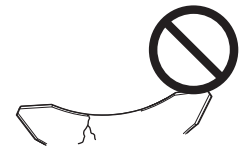
- ♦ Avoid nylon line contact with broken wire fencing. Pieces of wire broken off by the trimmer can be hurled at high speeds.

Trimming operation

Basic trimming operation with metal blade

WARNING

- Please observe the following instructions when trimming.
 - ◆ Check to ensure that the trimmer blade has been tightened securely in place.
 - ◆ Replace the shield if it is damaged or cracked.
 - ◆ Replace the trimmer blade nut when it becomes worn.
 - ◆ Do not cut into the ground with the blade.
 - ◆ Do not operate with a dull, bent, fractured or discoloured blade and worn or damaged nut.



Failure to do so could lead to an accident or serious injury.

- Use only cutting attachments recommended by YAMABIKO Corporation. YAMABIKO Corporation will not be responsible for the failure of cutting devices, attachments or accessories which have not been tested and approved by YAMABIKO Corporation for use with this unit.
- The type of blade used must be matched to the type and size of material cut. An improper or dull blade can cause serious personal injury. Blades must be sharp. Dull blades increase the chance of kick-out and injury to yourself and bystanders.
 - ◆ Plastic/Nylon Grass/Weed Blades may be used where ever the nylon line head is used. Do not use this blade for heavy weeds or brush.
 - ◆ The 3 cutter blade is designed especially to cut weeds and grass. To avoid injury due to kickback or blade fracture, do not use the 3 cutter blade to cut brush or trees.
 - ◆ 8 Tooth Weed/Grass Blade is designed for grass, garden debris and thick weeds. Do not use this blade for brush or heavy woody growth, 19 mm diameter or larger.
 - ◆ 22 Tooth Clearing Blade is designed for dense thickets and saplings up to 64 mm diameter.
 - ◆ 80 Tooth Brush Blade is designed for cutting brush and woody growth up to 13 mm diameter.

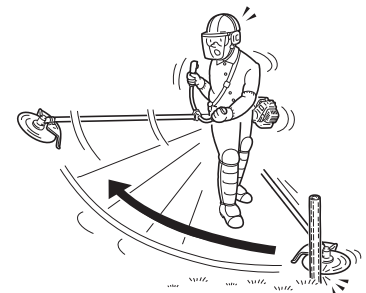
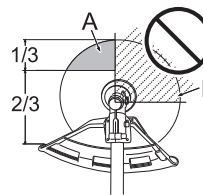
Damaged or shattered blades can cause accidents and serious injury.

- When cutting brush or saplings that are under tension, be alert for spring back. When the tension in the wood fibres is released, the brush or sapling may strike the operator and/or throw the machine out of control.
- Use extreme caution when cutting brush and the slender material may catch the blade and be whipped toward you or pull you off balance.

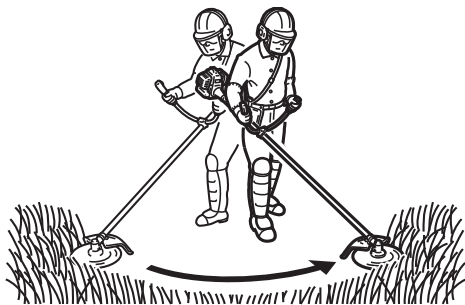
Kickback

- The phenomenon that occurs if the trimmer blade comes into contact with a tree, post, rock or other hard object while rotating at high speed and reacts by recoiling powerfully and instantaneously is known as kickback.
- Causing kickback can result in a loss of control over the product and is highly dangerous.
- In particular, if the front-right quadrant of the trimmer blade (B) strikes a shrub or other such object, the trimmer blade will cause the product to recoil sharply backwards to the right.
- To prevent kickback, do not trim from left to right. Be careful to ensure that the trimmer blade does not strike any hard objects.
- When trimming, ensure that the object you are cutting meets the portion of the blade 1/3 in from the front edge on the left-hand side (A).

Failure to do so could cause an injury or fatal accident.



Scything weeds



- ◆ This is cutting by swinging the cutting attachment in a level arc. It can quickly clear areas of field grass and weeds. Scything should not be used to cut large, tough weeds or woody growths.
- ◆ If a sapling or shrub binds the cutting attachment, do not use the cutting attachment as a lever to free the bind, because this will cause cutting attachment failure.
- ◆ Instead, turn off the unit and push the sapling or shrub to free the blades.

Maintenance and care

⚠ WARNING

Observe the following precautions when checking and maintaining your product after use:

- Turn power to unit off, remove battery, and make sure all moving parts have come to a complete stop.

An accident could occur if the product starts unexpectedly.

- Allow unit to cool before performing service.

You could burn yourself.

- Never service damaged battery packs. Service of battery packs should only be performed by the manufacturer or authorized service providers.

IMPORTANT

- Checking and maintenance requires specialist knowledge. If you are unable to check and maintain the product or deal with a fault yourself, consult your dealer. Do not attempt to dismantle the product.

Servicing guidelines

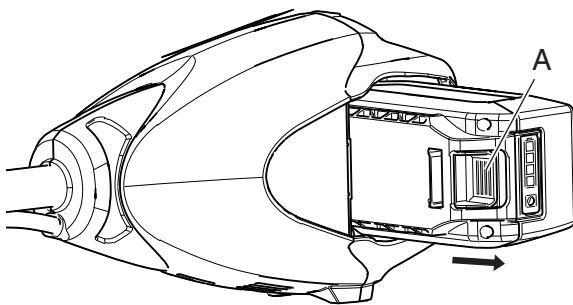
Area	Maintenance	Page	Before use	Monthly
Battery	Inspect/Clean/Charge	10	•	
Angle transmission	Grease	22		•*
Cut off knife	Inspect/Clean	-	•	
Screws, bolts and nuts	Inspect, Tighten/Replace	-	•	

* Or 50 hours, whichever occurs first.

Maintenance and care

If you have any questions or problems, please contact your dealer.

Cleaning battery and battery compartment

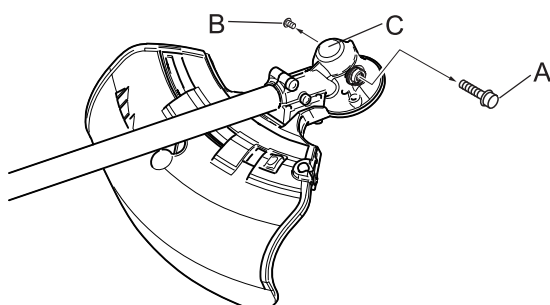


⚠ WARNING

- Risk of electric shock or fire. Do not use conducting materials to clean battery or battery compartment.

1. Release trigger switch and trigger switch lockout and allow trimmer head to stop.
2. Make sure power indicator LED is not illuminated.
3. Depress battery pack latch release (A) slide battery pack out of power head.
4. Use compressed air or a soft bristle brush to remove debris from battery and battery compartment.

Angle transmission



1. Remove the plug (A) and drain screw (B) from the angle transmission (C).
2. Add grease into the transmission until old grease is pushed out. If necessary, use a low pressure pump.

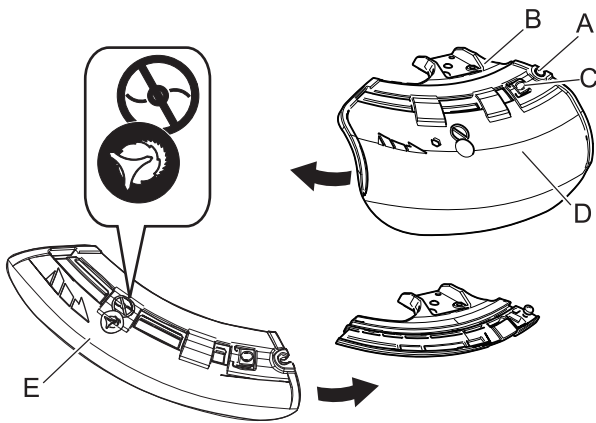
NOTE

- Use good quality lithium multi grease.

3. Reinstall the drain screw and plug.

Maintenance and care

Method to change shield



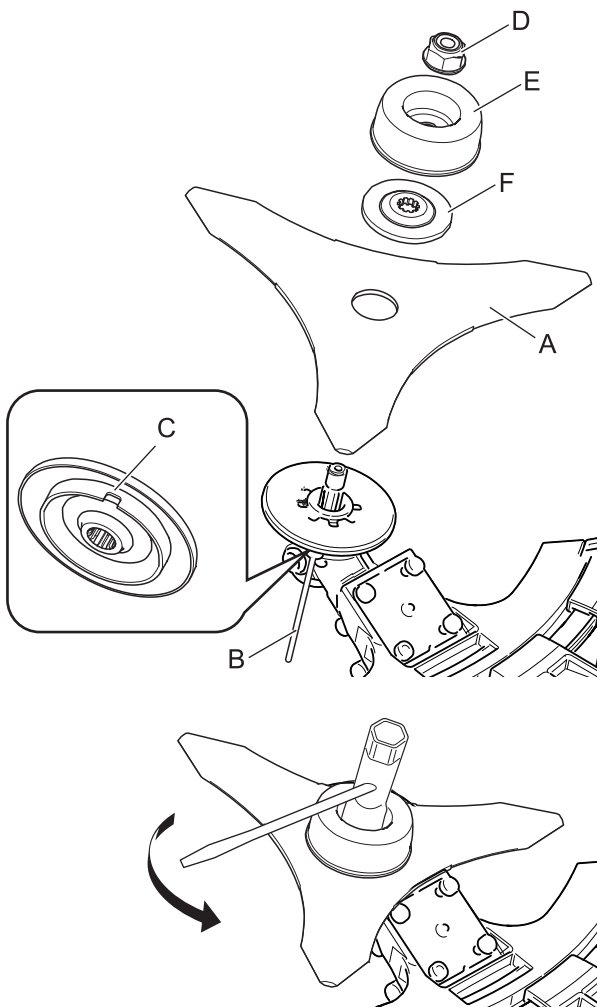
- ♦ There are two types of shields: namely the one used exclusively for nylon line cutting head and the other one used exclusively for metal blade. When metal blade is used, use the shield for metal blade.

1. Fully loosen the bolt (A) on the right side of the bracket (B) to slide the shield. The bolt itself cannot be removed from the bracket.
2. Pushing the button (C), slide the shield (D) to the left and remove it.
3. Put shield of other type (E) into groove and slide it to the right until it stops. Be sure to tighten the bolt.

Installing blade (option)

⚠ WARNING

- Wear heavy duty gloves when working with the trimmer blade.
- When replacing the trimmer blade during a trimming task, ensure that the unit is switched off and that the blades have stopped.
- Do not attempt to fit the trimmer blade with one hand or without using the socket spanner. Fit the trimmer blade accurately using the supplied socket spanner and tighten firmly in position.
- Do not use any tools other than the provided socket spanner to tighten the blade; a pneumatic or electric tool may tighten the blade more than necessary and cause the nut or the output shaft to break.
- If worn nut and cup for blade are used, there is a danger of blade getting loose. Replace them with new one. Failure to do so could lead to an injury or serious accident.



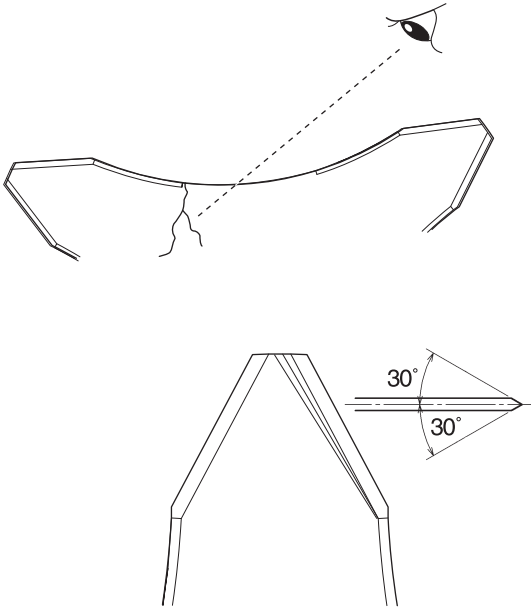
1. Inspect blades (A) before installation. Check for sharpness. Dull blades increase the risk of blade kickback reactions. Small cracks can develop into fractures resulting in a piece of blade flying off during operation. Discard cracked blades no matter how small the crack.
2. Insert locking tool (B) into a hole located on the right side of angle transmission while forcing retainer spring to the left side.
3. Insert locking tool further into blade retainer fixing slot (C) to fix output shaft.
4. Using the socket wrench, remove the nut (D), cup (E), and lower blade retainer (F).
5. Securely tighten the blade, lower blade retainer, cup, and nut by hand.

⚠ CAUTION

- Fix output shaft securely using locking tool in order to prevent it from rotating when blade is mounted. Otherwise, the blade fastening nut will not be tightened sufficiently.
6. Tighten the nut (turn anticlockwise) using a socket wrench. Never fasten while applying your weight. Otherwise the

Maintenance and care

Checking the blade



- thread of nut could be broken.
- Remove locking tool.

- Use only blade designated for this model by the manufacturer.
- When a crack is noticed on the blade, do not use it but replace with a new one.
- Ensure that the blade is correctly fitted in accordance with the instructions.

- When the cutting blade becomes dull due to wear reverse it for further use.
- When chip or bend occurs on the blade, vibration will increase. Replace with new one.
- When filing the blade file 3 cutting edges evenly using a flat file as shown in the illustration. Otherwise, the balance will be lost and vibration will increase.

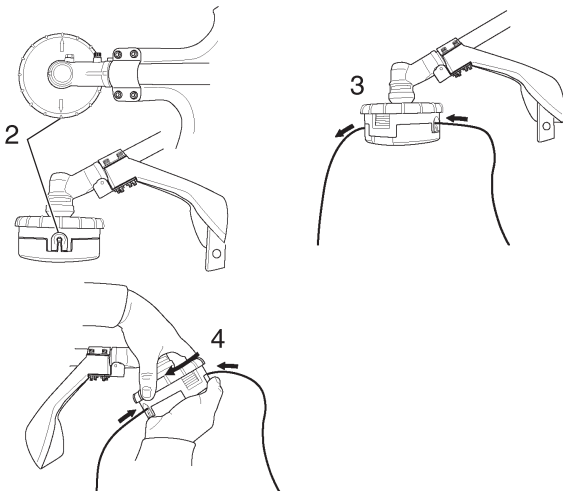
Loading nylon line

⚠ DANGER

- Turn off the unit, remove the battery and make sure nylon line cutting head has stopped rotating before starting replacement procedure.
To do so could lead to an accident or serious injury.

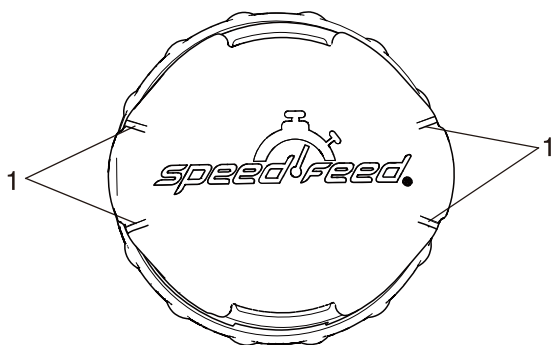
⚠ WARNING

- Use only flexible, non-metallic line recommended by YAMABIKO Corporation.
Failure to do so could lead to an accident or serious injury.



- Cut one piece of line to recommended length.
 - 2.4 mm dia. - 3.5 m
- Align arrows on top of knob with openings in eyelets.
- Insert one end of nylon line into an eyelet, and push line equal distance through nylon line cutting head.
- Hold nylon line cutting head while turning knob clockwise to wind line onto spool until about 13 cm of each line remains exposed.

Maintenance and care



1. Wear Indicators

IMPORTANT

When the wear indicators located at the bottom of the nylon line cutting head are worn smooth, replacement of the cover or the entire nylon line cutting head is required.

Troubleshooting table

IMPORTANT

○ For spare parts and consumables, please use only genuine parts and designated products and components. Using parts from other manufacturers or non-designated components may result in a malfunction.

Trouble	Cause	Remedy
Red Charger light flashes or does not light up	<ol style="list-style-type: none"> 1. Plug not connected to power outlet 2. Battery pack not installed properly 3. Obstructed connection 4. Fault in the charger 5. Fault in the battery pack 	<ol style="list-style-type: none"> 1. Plug in the charger 2. Check the battery pack installation 3. Reinstall battery pack again after removing obstructions from connection. 4. Consult your dealer 5. Consult your dealer
Unit will not turn on	<ol style="list-style-type: none"> 1. Battery pack not installed properly 	<ol style="list-style-type: none"> 1. Check the battery pack installation
Unit does not run when turned on	<ol style="list-style-type: none"> 1. Battery pack discharged 2. Line head obstructed 3. Battery pack outside acceptable temperature range 	<ol style="list-style-type: none"> 1. Charge the battery pack 2. Turn off the unit and clean the cutting attachment 3. Remove the battery pack and allow to cool
Running time is too short	<ol style="list-style-type: none"> 1. Battery pack outside acceptable temperature range 2. Unit electronics too hot 3. Battery pack discharged 	<ol style="list-style-type: none"> 1. Remove the battery pack and allow to cool 2. Turn unit off and allow to cool 3. Charge the battery pack
Line won't feed	<ol style="list-style-type: none"> 1. Not enough line on the spool 2. Line tangled in the spool 	<ol style="list-style-type: none"> 1. Rewind with new line 2. Unwind and rewind the line
Line fails to cut off	<ol style="list-style-type: none"> 1. Cut off knife in the shield is damaged or missing 	<ol style="list-style-type: none"> 1. Consult your dealer

- ◆ Consult your dealer in the event of a problem that is not covered in the table above, or other such concerns.
- ◆ Please contact your dealer in order to dispose of the product or its parts in compliance with national laws.

Manufacturer:

YAMABIKO CORPORATION

1-7-2 Suehirocho, Ohme, Tokyo 198-8760 JAPAN

Authorized Representative in Europe:

CERTIFICATION EXPERTS B.V.

Amerlandseweg 7, 3621 ZC Breukelen, The Netherlands

Maintenance and care

Storage

WARNING

- Do not store in an enclosure where combustible fumes may accumulate.
You could cause a fire.



When storing the product for long periods of time, ensure that the following preparations for storage are carried out.

Motor unit

1. Turn power to unit off.
2. Remove battery from power head.
3. Remove accumulation of dirt and debris from exterior of unit.
4. Tighten all the screws and nuts.
5. Cover the battery compartment of power head, the battery, and the battery charger.
6. Store unit in a dry, dust-free place, out of the reach of children.

Battery

1. Remove battery from power head.
2. Store in a dry, dust-free place, out of the reach of children.
3. Store in temperatures between -20°C and 60°C (140°F).
4. If the battery is stored for longer than one year, charge it to approximately 40 - 60% capacity.

Battery charger

1. Remove battery from battery charger.
2. Disconnect battery charger from power supply.
3. Store in a dry, dust-free place, out of the reach of children.

Disposal



- ♦ Major plastic parts making up the product have codes showing their materials. The codes refer to the following materials; dispose of those plastic parts in accordance with local regulations.

Mark	Material
>PA6-GF<	Nylon 6 - Glass fiber
>PP-GF<	Polypropylene - Glass fiber
>PE-HD<	Polyethylene
>PP<	Polypropylene

- ♦ Please contact your dealer in case you do not know how you should dispose of waste plastic parts.
- ♦ Battery contains lithium. Dispose of only at a designated collection point.
- ♦ Lithium-ion batteries must be recycled or disposed of properly.

Specifications

	DSRM-2600	
	L	U
External dimensions: Length × Width × Height	1896 × 332 × 275 mm	1896 × 669 × 593 mm
Mass: Unit without battery, cutting attachment and guard Unit with battery, specified cutting attachment, guard and harness	3.2 kg 6.0 kg	3.7 kg 6.9 kg
Cutting attachment: Nylon line cutting head (Cutting swath) Thread Nylon cord size (diameter) Nylon cord length	SF400 (406) Left-handed thread M10×1.25 pitch 2.4 mm 3.5 m	
Gear Case: Gear ratio and lubrication Rotational direction of output shaft viewed from above maximum rotational frequency of the spindle	1.62 reduction and good quality lithium grease Anticlockwise 5700 min ⁻¹	
Battery: Type Pack voltage Charger type Charger input voltage	Li-ion 56 Volts (rated 50.4 V) CCCV 220 - 240 Volts AC	
Battery Charger Lights:	Red LED – Battery is outside charging temperature range Red LED Blinking – Fault Green LED – Battery finished charging Green LED Blinking – Battery is charging normally	
Charge Time:	(with LCJQ-560) LBP-560-100 battery: Approximately 42 minutes. LBP-560-200 battery: Approximately 88 minutes.	
Vibration levels: (EN50636-2-91)	Front handle 1.3 m/s ² Rear handle 1.5 m/s ² Uncertainty 1.5 m/s ²	Left handle 2.1 m/s ² Right handle 1.4 m/s ² Uncertainty 1.5 m/s ²
Sound pressure level: (EN50636-2-91) Sound power level: (EN50636-2-91) Uncertainty	78.5 dB(A) 92.6 dB(A) 3.0 dB(A)	80.7 dB(A) 91.0 dB(A) 3.0 dB(A)
Guaranteed sound power level: (2000/14/EC, Annex VI)	96 dB(A)	96 dB(A)

These specifications are subject to change without notice.

The vibration and noise emissions during actual use of the unit can differ from the declared values depending on the ways in which the tool is used especially what kind of workpiece is processed.

Declaration of conformity

The undersigned manufacturer:

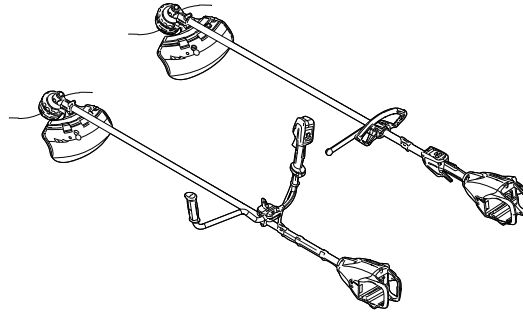
YAMABIKO CORPORATION
1-7-2 Suehirocho Ohme, Tokyo 198-8760 JAPAN

This declaration of conformity is issued under the sole responsibility of the manufacturer.

Declares that the hereunder specified new unit:

GRASS-TRIMMER/BRUSHCUTTER

Brand: ECHO
Type: DSRM-2600



Complies with:

- * the requirements of Directive **2006/42/EC** (use of harmonized standard **EN ISO 11806-1: 2011, EN 60335-1: 2012 +A11: 2014, and EN 50636-2-91: 2014**)
- * the requirements of Directive **2014/30/EU** (use of harmonized standard **EN 55014-1: 2017 +A11: 2020, EN 55014-2: 2015**)
- * the requirements of Directive **2000/14/EC** amended by **2005/88/EC**

Conformity assessment procedure followed **ANNEX VI**

TÜV SÜD Industrie Service GmbH (Notified Body 0036)
Westendstraße 199 80686 München Deutschland

Measured sound power level: 92.2 dB(A) loop handle, 91.4 dB(A) U-handle

Guaranteed sound power level: 96 dB(A)

- * the requirements of Directive **2011/65/EU** (use of harmonized standard **EN IEC63000: 2018**)

Serial Number U49735001001 to U49735100000

Tokyo, January 27th, 2022

YAMABIKO CORPORATION



Hisashi Kobayashi

General Manager
Quality Assurance Dept.

The authorized representative in Europe who is authorized to compile the technical file.

Company: CERTIFICATION EXPERTS B.V.

Address: Amerlandseweg 7, 3621 ZC Breukelen, The Netherlands

Mr. Richard Glaser

MEMORANDUM

YAMABIKO CORPORATION
1-7-2 Suehirocho, Ohme, Tokyo 198-8760 JAPAN
PHONE: 81-428-32-6118. FAX: 81-428-32-6145.



X750816-3801



FRANÇAIS
FR (Notice originale)

MANUEL D'UTILISATION COUPE-HERBE/DÉBROUSSAIL- LEUSE

DSRM-2600

AVERTISSEMENT



LIRE ATTENTIVEMENT LES INSTRUCTIONS ET SUIVRE LES
RÈGLES DE SÉCURITÉ.

LE NON-RESPECT DES RÈGLES DE SÉCURITÉ ENTRAÎNE UN
RISQUE DE BLESSURE GRAVE.



Table des matieres

Pour utiliser l'appareil en toute sécurité	3
Description	8
Avant de commencer	9
Contenu de l'emballage	9
Chargement de la batterie	10
Assemblage	11
Version poignée semi-circulaire.....	11
Version brancard en U.....	11
Equilibrage.....	13
Pose de la batterie.....	13
Fonctionnement	15
Mise en marche de l'appareil.....	15
Arrêt de l'appareil.....	16
Utilisation de l'appareil	17
Utilisation du harnais	18
Utilisation de base de l'appareil avec tête de coupe à fil nylon	18
Utilisation de base de l'appareil avec lame métallique	21
Entretien	22
Instructions d'entretien de l'appareil	22
Entretien	22
Remisage	26
Mise au rebut.....	27
Caractéristiques.....	28
Déclaration de conformité.....	29

Pour utiliser l'appareil en toute sécurité

Information importante

⚠ AVERTISSEMENT

Lire attentivement le manuel d'utilisation avant d'utiliser l'appareil pour la première fois.

À propos du manuel d'utilisation

- Ce manuel contient les informations nécessaires au montage, à l'utilisation et à l'entretien de l'appareil. L'utilisateur doit donc le lire attentivement et intégrer les informations qu'il contient.
- Toujours conserver le manuel à portée de main.
- En cas de perte du manuel ou si ce dernier a été détérioré et n'est plus lisible, s'adresser à un revendeur pour en obtenir un nouveau.
- Les unités utilisées dans ce manuel sont les unités SI (Système international d'unités). Les chiffres indiqués entre parenthèses sont des valeurs de référence. De légères erreurs de conversion peuvent survenir dans certains cas. Le non-respect de cette règle de sécurité entraîne un risque d'accident ou de blessure grave.

Utilisation de l'appareil

- Ces machines sont des machines légères, très performantes, et conçues pour désherber et tondre dans des endroits inaccessibles par d'autres moyens.
- Ne pas utiliser cet appareil pour d'autres applications que celles mentionnées ci-dessus.
- Le constructeur se réserve le droit de modifier sans préavis le contenu de ce manuel en fonction des améliorations apportées au produit. Il se peut que certains des schémas de ce manuel soient différents de l'appareil. Ces différences ont pour objectif de rendre les explications plus claires.
- En cas de doute, consulter un revendeur.
Le non-respect de cette règle de sécurité entraîne un risque d'accident ou de blessure grave.

Ne pas modifier l'appareil

- Aucune modification ne doit être apportée à l'appareil.
Le non-respect de cette règle de sécurité entraîne un risque d'accident ou de blessure grave. Tout dysfonctionnement dû à une modification de l'appareil n'est pas couvert par la garantie du fabricant.

Ne pas utiliser l'appareil avant d'avoir effectué les opérations de vérification et d'entretien nécessaires

- Il ne faut pas utiliser l'appareil avant d'avoir effectué les opérations de vérification et d'entretien nécessaires. Veiller à ce que l'appareil soit vérifié et entretenu régulièrement.
Le non-respect de cette règle de sécurité entraîne un risque d'accident ou de blessure grave.

Prêt ou cession de l'appareil à un tiers

- Si l'appareil est prêté à un tiers, veiller à lui confier également le manuel d'utilisation fourni avec l'appareil.
- Si l'appareil est cédé à un tiers, transmettre le manuel d'utilisation fourni avec l'appareil lors de la vente.
Le non-respect de cette règle de sécurité entraîne un risque d'accident ou de blessure grave.

Utilisateurs de l'appareil

- L'appareil ne doit pas être utilisé si :
 - ◆ l'utilisateur est fatigué ;
 - ◆ l'utilisateur a consommé de l'alcool ;
 - ◆ l'utilisateur prend des médicaments ;
 - ◆ la personne qui souhaite utiliser l'appareil est enceinte ;
 - ◆ l'utilisateur est en mauvaise condition physique ;
 - ◆ l'utilisateur n'a pas lu le manuel d'utilisation ;
 - ◆ la personne qui souhaite utiliser l'appareil est un enfant.
- L'utilisateur est tenu pour responsable en cas d'accidents ou de risques pouvant entraîner des accidents corporels ou des dommages matériels.
Le non-respect de ces règles de sécurité constitue un risque d'accident.
- Les composants de cette machine produisent en fonctionnement un champ électromagnétique susceptible d'interférer avec certains stimulateurs cardiaques. Pour réduire les risques pour la santé, nous recommandons aux porteurs d'un stimulateur cardiaque de consulter leur médecin et le fabricant du stimulateur avant d'utiliser cet appareil.



Pour utiliser l'appareil en toute sécurité

⚠ AVERTISSEMENT

Exposition aux vibrations et au froid

○ Les personnes exposées aux vibrations et au froid peuvent être victimes du phénomène de Raynaud, une affection qui touche les doigts. L'exposition à des vibrations et au froid peut provoquer une sensation de picotement et de brûlure, suivie d'une décoloration et d'un engourdissement des doigts. Il est vivement recommandé de respecter les mesures de précaution suivantes car le seuil d'exposition minimum pouvant provoquer l'apparition de ce phénomène reste inconnu à ce jour.

- ◆ Limiter la perte de chaleur corporelle, en protégeant en priorité la tête, le cou, les pieds, les chevilles, les mains et les poignets.
- ◆ Stimuler la circulation sanguine en interrompant le travail régulièrement pour remuer énergiquement les bras, et éviter de fumer.
- ◆ Limiter le nombre d'heures d'utilisation. Essayer d'intégrer à l'emploi du temps de la journée des tâches ne nécessitant pas l'utilisation de l'appareil ou d'une autre machine portable.
- ◆ En cas d'inconfort, de rougeur et de gonflement au niveau des doigts, suivis d'un blanchissement et d'une perte de sensibilité, consulter un médecin avant de s'exposer à nouveau au froid et aux vibrations.

Le non-respect de ces instructions peut être dangereux pour la santé.

Lésions attribuables au travail répétitif

○ Il apparaît que la sollicitation excessive des muscles et des tendons des doigts, des mains, des bras et des épaules peut provoquer une irritation, un gonflement, un engourdissement, une faiblesse et de fortes douleurs au niveau des membres mentionnés ci-dessus. L'apparition de lésions attribuables au travail répétitif (LATR) est très fréquente chez les personnes pratiquant certaines activités manuelles répétitives. Pour réduire le risque d'apparition de LATR, respecter les mesures de précaution suivantes :

- ◆ Éviter de plier, d'étirer ou de tordre le poignet pendant le travail.
- ◆ Faire des pauses régulières pour réduire l'effet répétitif et pour reposer ses mains. Effectuer le mouvement répétitif plus lentement et en faisant moins d'effort.
- ◆ Faire des exercices de musculation des mains et des bras.
- ◆ En cas de picotements, d'engourdissement ou de douleur dans les doigts, les mains, les poignets ou les bras, consulter un médecin. Plus les LATR sont diagnostiquées précocement, plus les chances d'empêcher les lésions nerveuses et musculaires irréversibles sont grandes.

Le non-respect de ces instructions peut être dangereux pour la santé.

Une formation adaptée

○ Toute personne devant utiliser cet appareil doit obligatoirement avoir reçu une formation et un équipement de protection adaptés.

○ Vous devez avoir une connaissance parfaite des commandes et du fonctionnement de l'appareil.

○ Vous devez savoir comment arrêter l'appareil et couper le moteur.

○ Vous devez savoir comment décrocher la machine du harnais en urgence.

○ Ne laisser personne utiliser l'appareil sans avoir préalablement reçu une formation adaptée.

Le non-respect de ces instructions peut être dangereux pour la santé.

Port de vêtements adaptés.

○ Attacher les cheveux longs au-dessus du niveau de l'épaule.

○ Ne pas porter de cravates, bijoux ou vêtements amples qui pourraient se prendre dans l'appareil.

○ Ne pas porter de chaussures ouvertes, ne pas travailler pieds nus ou jambes nues.

Le non-respect de ces mesures de précaution peut entraîner une dégradation de la vue ou de l'ouïe de l'utilisateur, ainsi qu'un risque de blessure grave.



Pour utiliser l'appareil en toute sécurité

AVERTISSEMENT

Port d'équipements de protection

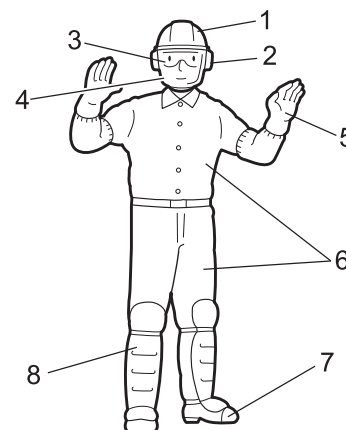
○ Toujours porter les équipements de protection suivants pour utiliser un taille-haies.

1. Protection de la tête (casque) : protège la tête.
2. Casque de protection anti-bruit ou protecteurs d'oreilles : protègent l'ouïe.
3. Lunettes de sécurité : protègent les yeux.
4. Protection du visage : protège le visage.
5. Gants de sécurité : protègent les mains contre le froid et les vibrations.
6. Vêtements de travail adaptés (manches longues, pantalons longs) : protègent le corps.
7. Bottes résistantes avec semelles anti-dérapantes (à bouts renforcés) ou chaussures de travail avec semelles anti-dérapantes (à bouts renforcés) : protègent les pieds.
8. Protège-tibias : protègent les jambes.

Le non-respect de ces mesures de précaution peut entraîner une dégradation de la vue ou de l'ouïe de l'utilisateur, ainsi qu'un risque de blessure grave.

○ Si nécessaire, utiliser les équipements de protection ci-dessous.

- ◆ Masque anti-poussière : protège les voies respiratoires.
- ◆ Voilette de protection : protège contre les piqûres d'abeilles.



Environnement d'utilisation et fonctionnement de l'appareil

○ Ne pas utiliser l'appareil :

- ◆ dans des endroits humides ou mouillés ;
- ◆ sous la pluie ;
- ◆ en cas de mauvaises conditions météo ;
- ◆ sur des pentes raides ou sur des surfaces instables et glissantes ;
- ◆ la nuit ou dans des endroits sombres mal éclairés.
- ◆ en cas de risque de foudre.

○ Lorsque vous utilisez l'appareil sur un terrain en pente douce, employez un mouvement régulier et gardez la tête de coupe parallèle au sol.

Toute chute, glissade ou utilisation incorrecte de l'appareil constitue un risque de blessures graves pour l'utilisateur.

○ Afin de préserver votre santé et de travailler dans des conditions de sécurité et de confort optimales, utiliser l'appareil uniquement par des températures comprises entre -5 °C et 40 °C.

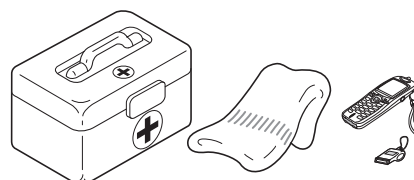
Le non-respect de ces instructions peut être dangereux pour la santé.

Savoir réagir en cas de blessure

○ Même si les cas de blessure ou d'accident restent exceptionnels, l'utilisateur doit savoir réagir à ces situations.

- ◆ Kit de premiers secours
- ◆ Serviettes et lingettes (pour arrêter les saignements)
- ◆ Sifflet ou téléphone portable (pour appeler de l'aide)

Si l'utilisateur n'est pas capable de prodiguer les premiers soins ou d'appeler à l'aide, la blessure peut s'aggraver.



Etiquettes et symboles d'avertissement

DANGER

Ce symbole associé au mot « **DANGER** » signale une action ou une situation présentant un risque de blessure corporelle grave ou d'accident mortel pour l'utilisateur et les personnes à proximité.

AVERTISSEMENT


Ce symbole associé au mot « **AVERTISSEMENT** » signale une action ou une situation présentant un risque de blessure corporelle grave ou d'accident mortel pour l'utilisateur et les personnes à proximité.

ATTENTION



« **ATTENTION** » signale une situation potentiellement dangereuse qui, si elle n'est pas évitée, peut entraîner une blessure légère à modérée.

Pour utiliser l'appareil en toute sécurité

Autres indications

	<p>Le cercle barré indique une interdiction.</p>	<p>REMARQUE</p> <p>Ce type de message fournit des conseils relatifs à l'utilisation et à l'entretien de l'appareil.</p>	<p>IMPORTANT</p> <p>Le texte dans l'encadré où figure le mot « IMPORTANT » donne des informations importantes concernant l'utilisation, la vérification, l'entretien et le remisage de l'appareil décrit dans ce manuel.</p>
---	--	--	--

Symboles

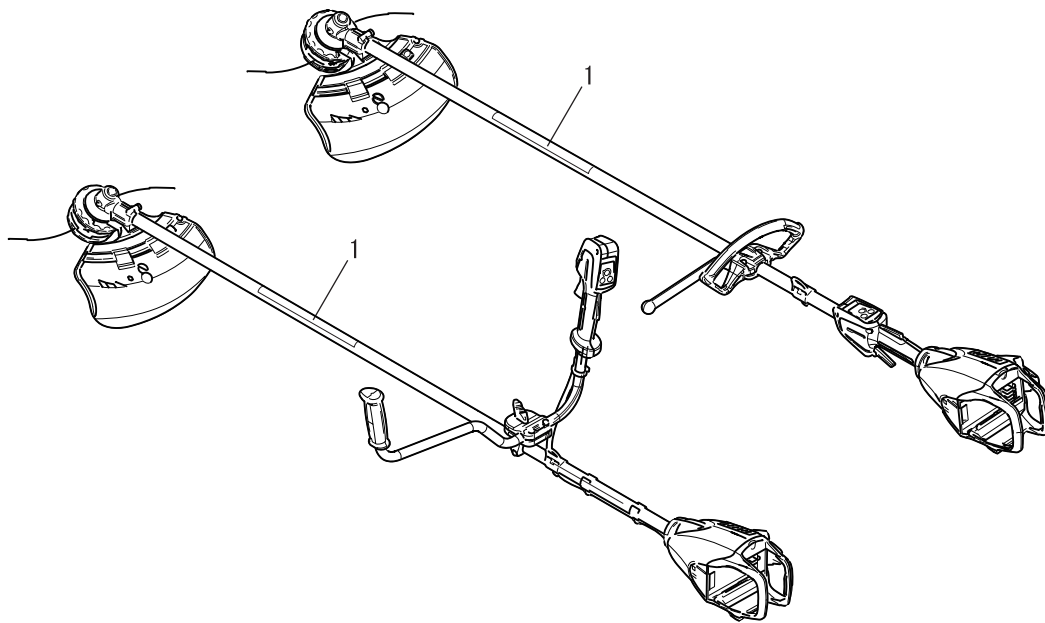
Forme des symboles	Description/application des symboles	Forme des symboles	Description/application des symboles
	<p>Lire attentivement le manuel d'utilisation</p>		<p>Retirer la batterie avant toute intervention de nettoyage et d'entretien.</p>
	<p>Port obligatoire de protections pour les yeux, les oreilles et la tête</p>		<p>Ne laisser personne s'approcher à moins de 15 mètres</p>
	<p>Attention, poussée latérale</p>		<p>Port obligatoire de chaussures et de gants de protection</p>
	<p>Alerte/sécurité</p>		<p>Attention aux températures élevées</p>
	<p>Avertissement ! Projections !</p>		<p>Niveau de puissance sonore garanti</p>
	<p>Interdiction d'utiliser des lames métalliques</p>		<p>Interdiction d'utiliser une tête de coupe à fil nylon</p>
	<p>Attention aux risques d'incendie</p>		<p>Ne pas jeter les appareils électriques avec les ordures ménagères.</p>
<p>IPX4</p>	<p>Protégé contre les projections d'eau</p>		

Pour utiliser l'appareil en toute sécurité

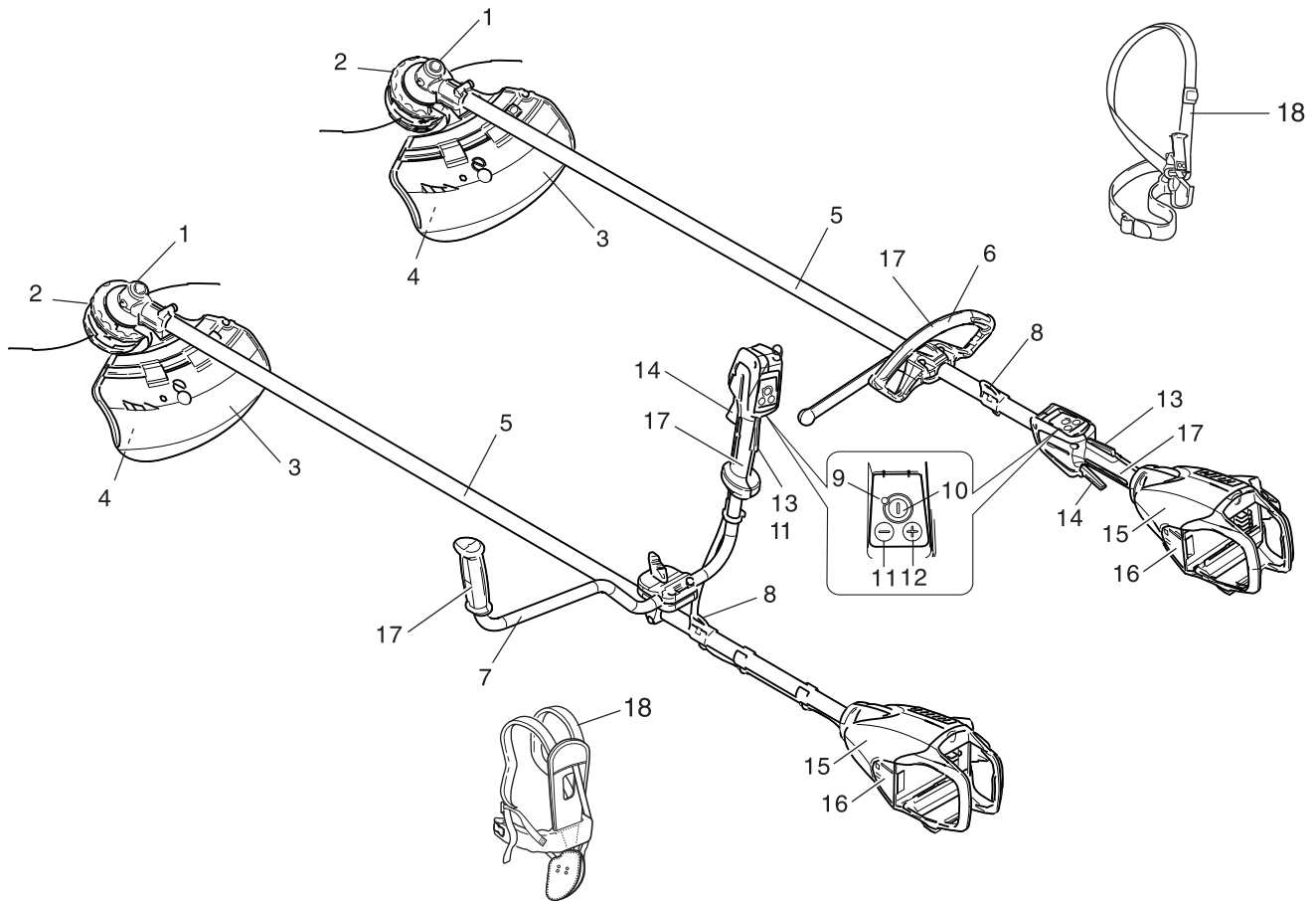
Étiquette(s) de sécurité

- L'étiquette de sécurité ci-dessous figure sur les appareils décrits dans ce manuel. S'assurer de bien comprendre la signification de l'étiquette avant d'utiliser l'appareil.
- Si l'étiquette devient illisible avec le temps ou si elle s'est décollée ou a été déchirée, contacter un revendeur pour obtenir une nouvelle étiquette et la coller à l'emplacement indiqué sur les illustrations ci-dessous. Veiller à ce que l'étiquette soit toujours lisible.

1. Autocollant de sécurité (référence X505-011600)



Description

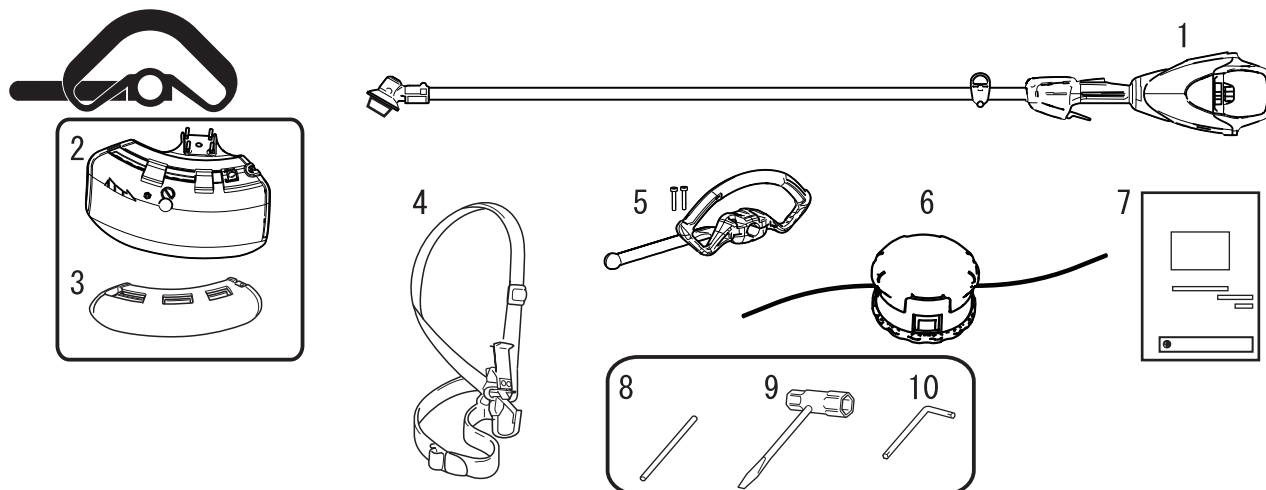


1. **Renvoi d'angle** avec deux engrenages pour changer l'angle de l'axe de rotation.
2. **Outil de coupe** tête de coupe à fil nylon pour couper l'herbe et les mauvaises herbes.
3. **Protecteur d'outil** protège l'utilisateur contre les projections et empêche tout contact accidentel avec la tête de coupe.
4. **Couteau** coupe le fil de nylon pour obtenir la longueur de fil appropriée.
5. **Tube de transmission** pièce de l'appareil qui protège l'arbre de transmission.
6. **Poignée semi-circulaire** légère, adaptée au coupe-herbe à fil nylon.
7. **Brancard en U** poignée en forme de guidon de vélo pour moins d'effort lors de l'utilisation, par rapport à une poignée semi-circulaire.
8. **Point d'accrochage** dispositif sur lequel le harnais peut être accroché.
9. **DEL du témoin d'alimentation** - reste allumée lorsque l'appareil est sous tension. S'éteint lorsque l'appareil est mis hors tension.
10. **Bouton d'alimentation** - un appui bref permet de mettre l'appareil sous tension, la DEL du témoin d'alimentation s'allume. Un nouvel appui met l'appareil hors tension, la DEL du témoin d'alimentation s'éteint.
11. **Bouton -**
12. **Bouton +**
13. **Blocage de l'interrupteur à poussoir** - bloque l'interrupteur à poussoir en position d'arrêt jusqu'à ce que l'utilisateur puisse positionner correctement sa main droite sur la poignée.
14. **Interrupteur à poussoir** - activé par le doigt de l'utilisateur pour mettre le moteur en marche.
15. **Tête motrice** - renferme le moteur et la batterie.
16. **Type et numéro de série**
17. **Surface de préhension**
18. **Harnais** - lanière réglable pour suspendre l'appareil.

Avant de commencer

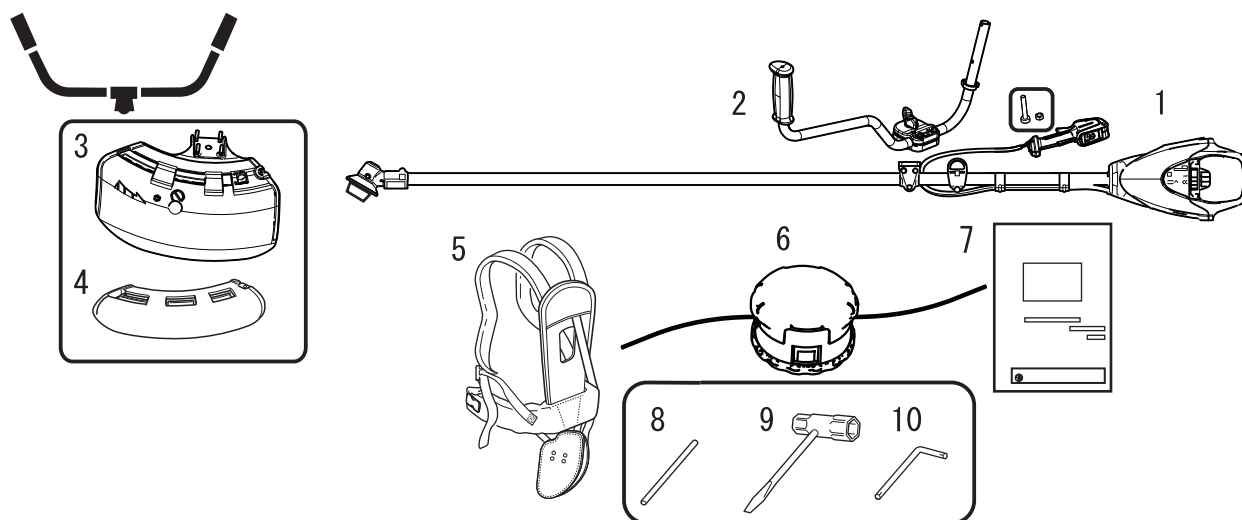
Contenu de l'emballage

- ♦ Les pièces suivantes sont conditionnées séparément dans le carton d'emballage.
- ♦ Lors de l'ouverture du carton, passer en revue les pièces qu'il contient.
- ♦ Contacter un revendeur si une pièce est manquante ou endommagée.



1. Moteur et tube de transmission
2. Protecteur (pour tête de coupe à fil nylon)
3. Protecteur d'outil (pour lame métallique)
4. Harnais
5. Poignée semi-circulaire

6. Tête de coupe à fil nylon
7. Manuel d'utilisation
8. Outil de blocage
9. Clé à pipe
10. Clé coudée



1. Moteur et tube de transmission
2. Brancard en U
3. Protecteur (pour tête de coupe à fil nylon)
4. Protecteur d'outil (pour lame métallique)
5. Harnais

6. Tête de coupe à fil nylon
7. Manuel d'utilisation
8. Outil de blocage
9. Clé à pipe
10. Clé coudée

Avant de commencer

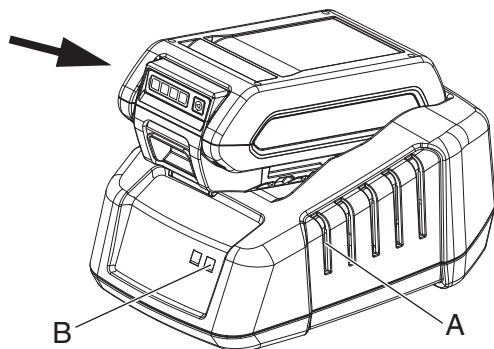
Chargement de la batterie

⚠ AVERTISSEMENT

- Toujours utiliser le bloc-batterie LBP-560-100/LBP-560-200 et le charger uniquement avec le chargeur LCJQ-560 ou LCJU-560.
- Garder le chargeur et la batterie à l'abri de l'humidité et de tous les liquides.
- Ne pas utiliser le chargeur sur une surface facilement inflammable (telle que du papier ou du textile) ou dans un environnement présentant un risque d'incendie élevé.
- Ne pas couvrir le chargeur. Couvrir le chargeur l'empêcherait de se refroidir.
- Ne pas utiliser le chargeur dans une atmosphère explosible, par exemple en présence de liquides, gaz ou poussières inflammables. Les chargeurs peuvent produire des étincelles qui peuvent enflammer des poussières ou des vapeurs – il existe un risque d'explosion.
- Brancher le chargeur uniquement sur une alimentation correspondant à la tension et à la fréquence spécifiées sur la plaque signalétique.
- Brancher le chargeur uniquement sur une prise murale aisément accessible.
- Ne jamais insérer d'objet dans les événements de refroidissement du bloc-batterie ou du chargeur (A).
- Ne pas charger ni utiliser un bloc-batterie et un chargeur défectueux, endommagés ou déformés.
- Ne pas ouvrir, endommager ou faire tomber le bloc-batterie ou le chargeur.
- Une batterie endommagée ou mal utilisée risque de fuir ; éviter tout contact avec la peau. En cas de contact accidentel, laver abondamment à l'eau et au savon les parties touchées. Si du liquide pénètre dans l'œil, ne pas frotter. Rincer abondamment les yeux à l'eau pendant au moins 15 minutes. Consulter également un médecin.
- Ne jamais ponter (court-circuiter) les contacts du bloc-batterie ou les bornes du chargeur avec des objets métalliques.
- Protéger d'une exposition directe au soleil, à la chaleur et à toute flamme nue et ne jamais jeter la batterie au feu ; il existe un risque d'explosion.
- Si de la fumée ou des flammes se dégagent du chargeur, débrancher immédiatement celui-ci de la prise murale.
- Si le cordon d'alimentation est endommagé, débrancher immédiatement la fiche de l'alimentation électrique pour éviter tout risque de choc électrique.
- Ne pas exposer le bloc-batterie à des ondes d'hyperfréquence ou à une pression élevée.
- Prendre les mesures requises pour empêcher un démarrage intempestif de l'appareil. Retirer le bloc-batterie de l'appareil avant de transporter ou de ranger celui-ci. Ne pas utiliser un récipient en métal pour transporter les batteries.
- Ne pas utiliser le cordon d'alimentation à d'autres fins, par exemple pour transporter ou suspendre le chargeur.
- Pour réduire le risque de trébuchement, positionner et signaler le cordon d'alimentation de telle manière qu'il ne puisse pas être endommagé et de façon à ce qu'il ne constitue un danger pour personne.
- Pour débrancher, saisir la fiche et non le cordon.

REMARQUE

- La batterie est partiellement chargée lorsqu'elle quitte l'usine ; il convient de la charger entièrement avant la première utilisation.
- Charger la batterie lorsqu'elle ne produit plus suffisamment de courant pour faire fonctionner l'appareil ou lorsque les voyants indiquent qu'elle est déchargée.

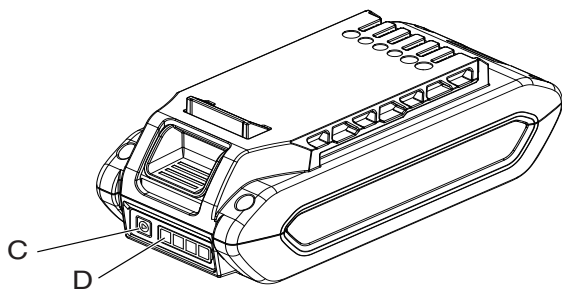


1. Brancher le cordon secteur du chargeur dans la prise murale.
2. Aligner les nervures de la batterie sur les rainures du chargeur et faire coulisser la batterie dans le chargeur.
3. Durant la charge normale, la DEL (B) du chargeur clignote en continu en VERT.

IMPORTANT

- Si le chargeur détecte un problème, la DEL clignote en ROUGE. Retirer la batterie du chargeur, nettoyer les contacts et réinstaller la batterie dans le chargeur. Si la batterie n'est pas dans la plage de température acceptable (de 0 à 60 °C), la DEL reste allumée en ROUGE.

Avant de commencer



4. Lorsque la charge est terminée, la DEL reste allumée en VERT.
5. Vérifier que la batterie est entièrement chargée en la retirant du chargeur et appuyant sur le bouton d'état de charge de la batterie (C). Vérifier les indications données par les DEL (D).
 - ♦ Un voyant vert indique que la batterie est chargée entre 0 et 25 %.
 - ♦ Deux voyants verts indiquent que la batterie est chargée entre 25 et 50 %.
 - ♦ Trois voyants verts indiquent que la batterie est chargée entre 50 et 75 %.
 - ♦ Quatre voyants verts indiquent que la batterie est chargée entre 75 et 100 %.
6. Débrancher le chargeur de batteries de l'alimentation électrique.

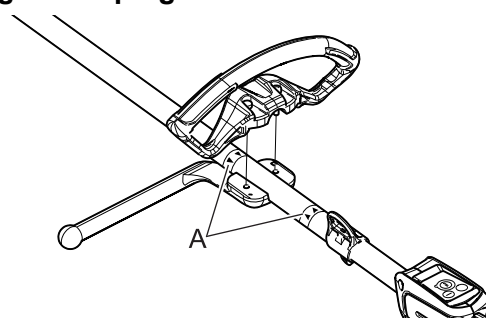
Assemblage

⚠ AVERTISSEMENT

- Lire attentivement le manuel d'utilisation pour s'assurer que l'appareil est monté correctement.
L'utilisation d'un appareil monté de façon incorrecte entraîne un risque d'accident ou de blessure grave.



Version poignée semi-circulaire Assemblage de la poignée semi-circulaire

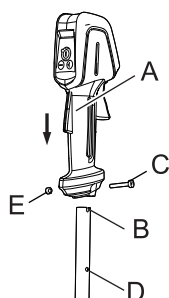


Orienter la poignée dans une position d'utilisation confortable, puis serrer les vis.

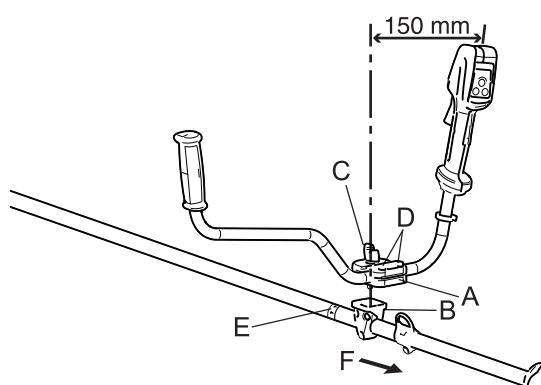
⚠ ATTENTION

- Poser la poignée entre les repères (A).

Version brancard en U Assemblage du brancard en U



1. Faire glisser la branche droite du brancard dans la poignée d'accélérateur (A) et l'introduire dans la fente (B) afin de l'empêcher de tourner.
2. Placer la poignée d'accélérateur de telle sorte que la vis (C) puisse passer dans l'orifice de butée (D).
3. Bien serrer la vis et l'écrou (E).



1. Installer le support d'assemblage supérieur (A) du brancard sur le support inférieur (B) et fixer le brancard en serrant légèrement la vis d'assemblage (C).
2. Régler l'inclinaison du brancard sur la position appropriée (utilisation confortable), puis serrer fermement la vis d'assemblage.

* Procédure de réglage de la vis de blocage (D) (selon les besoins)

- (1) Serrer les boulons jusqu'à ce qu'ils soient bien serrés.
- (2) Desserrer les boulons de 1 1/2 tour.

E : Flèche

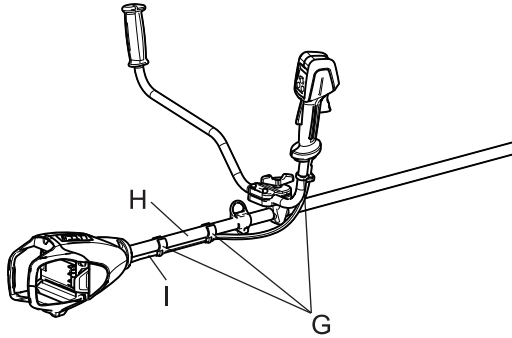
Avant de commencer

F : Vers la tête motrice

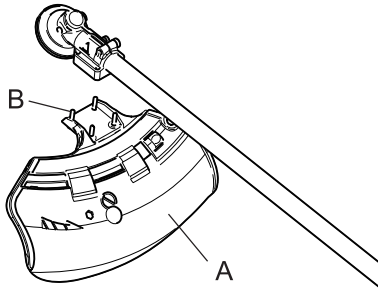
⚠ ATTENTION

○ Mettre la poignée en place côté tête motrice depuis la flèche.

3. Pour éviter le flottement du câble (I), il faut le fixer au tube de transmission (H) (en 2 endroits) et à la branche de droite du brancard en U (à 1 endroit) à l'aide des colliers de fixation (G).

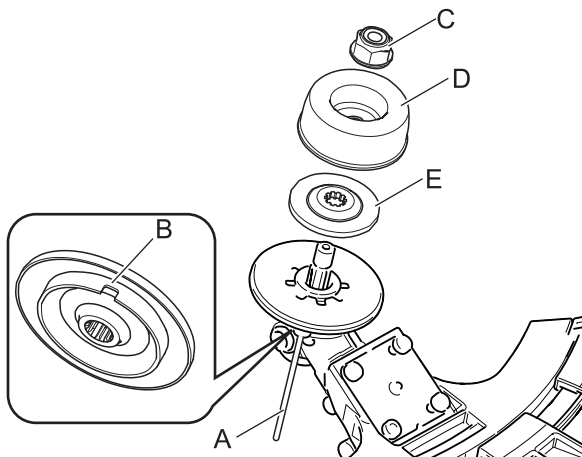


Montage du protecteur d'outil

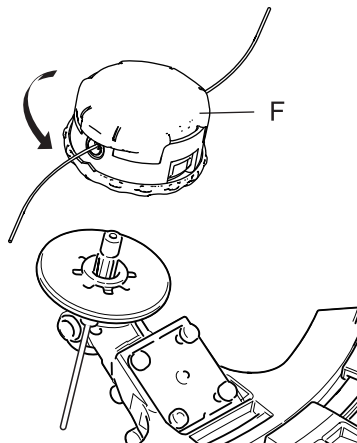


1. Placer le protecteur d'outil (A) sur la zone de fixation du renvoi d'angle et serrer 4 boulons (B).

Montage de la tête de coupe à fil nylon



1. Insérer l'outil de blocage (A) dans l'orifice situé sur le côté droit du renvoi d'angle tout en poussant le ressort de retenue vers la gauche.
 2. Enfoncer l'outil de blocage dans le trou de blocage de lame (B) pour fixer l'arbre de sortie.
 3. Se servir d'une clé à pipe pour retirer l'écrou (C), la coupelle (D) et le dispositif de blocage inférieur de la lame (E).
- * L'écrou, la coupelle et le dispositif de blocage inférieur de la lame ne sont pas utilisés avec une tête de coupe à fil nylon.



⚠ ATTENTION

○ Fixer solidement l'arbre de sortie à l'aide de l'outil de blocage pour éviter qu'il ne tourne lors de la pose de la tête de coupe à fil nylon.

4. Visser la tête de coupe à fil nylon (F) sur l'arbre (dans le sens inverse des aiguilles d'une montre) en s'assurant qu'elle est bien serrée.
5. Retirer l'outil de blocage.

Avant de commencer

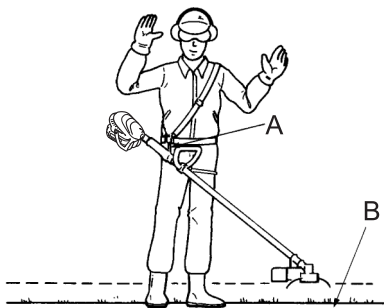
Equilibrage Réglage du harnais

⚠ AVERTISSEMENT

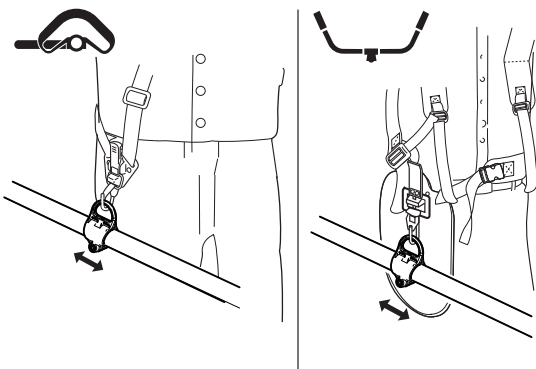
- Cet appareil est conçu de manière à pouvoir être utilisé par des personnes de tailles différentes ; il se peut néanmoins qu'il ne convienne pas aux personnes de très grande taille. Ne pas utiliser l'appareil si les pieds de l'utilisateur atteignent l'outil de coupe lorsque l'appareil est fixé au harnais.

IMPORTANT

- La taille de l'utilisateur peut avoir un impact sur l'équilibrage de l'appareil. En outre, il se peut que la procédure d'équilibrage ne fonctionne pas sur certains appareils avec certaines personnes. Si le harnais n'est pas à la taille de l'utilisateur ou ne peut pas être réglé correctement, contacter le revendeur pour obtenir de l'aide.



Equilibrer l'outil de sorte à ce que le plan de rotation de la tête de coupe soit parallèle au sol.



- ♦ Le harnais fourni avec l'appareil convient aux adultes de taille moyenne, mesurant entre 150 et 195 cm de hauteur et entre 60 et 140 cm de tour de taille.
- ♦ Utiliser un harnais lorsque celui-ci est fourni avec l'appareil ou lorsque son utilisation est recommandée dans ce manuel. Régler le harnais et le point d'accrochage (A) de l'appareil sur l'unité de sorte que l'outil de coupe se situe à quelques centimètres au-dessus du sol (B).
- ♦ L'outil de coupe et le protecteur d'outil doivent être parallèles au sol dans toutes les directions. Fixer l'appareil au harnais sur le côté droit, comme indiqué.

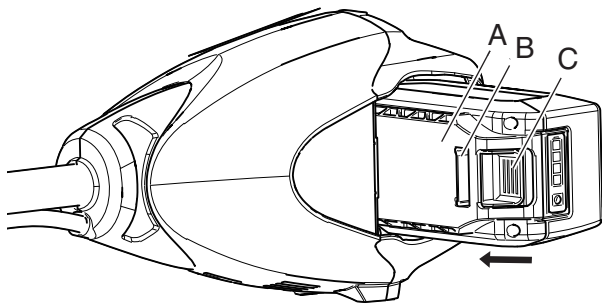
- ♦ Faire glisser le point d'accrochage le long du tube pour trouver le point d'équilibre. Tourner la bride pour régler le parallélisme de l'outil de coupe et du protecteur. Verrouiller la position. Si le point d'accrochage est de type à rotation libre, il se peut que l'appareil ait tendance à se retourner sur le côté ; néanmoins, toujours régler l'outil de coupe et le protecteur selon l'axe avant/arrière.
- ♦ Il se peut que l'équilibrage et la mise à niveau, comme indiqués ci-dessus, nécessitent le déplacement de la bride et le réajustement des lanières du harnais. En outre, tous les types d'outil de coupe et de protecteur d'outil montés sur l'appareil doivent être équilibrés.

Pose de la batterie

⚠ AVERTISSEMENT

- L'outil de coupe fonctionne lorsque la batterie est installée, la DEL du témoin d'alimentation allumée et le dispositif de déclenchement et le blocage du dispositif de déclenchement engagés. Veiller à positionner l'appareil correctement pour éviter toute perte de contrôle et un éventuel accident grave. Tenir les pièces mobiles au-dessus du sol et à distance des objets susceptibles d'être happés ou projetés.
- Retirer la batterie avant de laisser l'appareil sans surveillance.

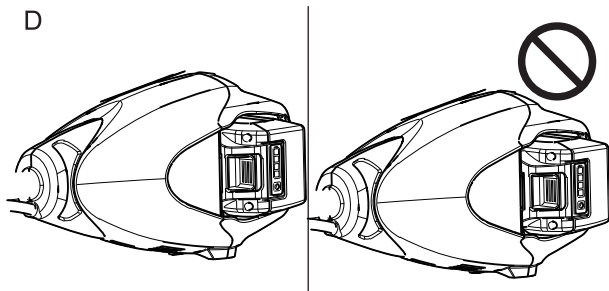
Avant de commencer



1. S'assurer que l'appareil est hors tension.
2. Aligner les nervures (A) du bloc-batterie sur les rainures de la tête motrice. Faire glisser le bloc-batterie dans la tête motrice.
3. S'assurer que le verrou du bloc-batterie (B) est mis en place et que le bloc-batterie est bien fixé avant de faire fonctionner l'appareil.
4. Pour retirer la batterie, enfoncer le verrou du bloc-batterie (C) et extraire le bloc-batterie de la tête motrice.

REMARQUE

- ♦ Le verrou du bloc-batterie est en position fermée lorsqu'il est correctement engagé.



IMPORTANT

Avant d'utiliser l'appareil, s'assurer que la batterie est correctement mise en place et le verrou du bloc-batterie en position fermée (D).

DANGER

- Tous les conducteurs électriques aériens et les câbles de télécommunication peuvent avoir une alimentation électrique à haute tension. Cet appareil n'est pas isolé par une protection contre les courants électriques. Ne jamais toucher les câbles directement ou indirectement, au risque de provoquer un accident grave voire mortel.

AVERTISSEMENT

- Ne pas utiliser l'appareil dans une atmosphère explosible, par exemple en présence de liquides, gaz ou poussières inflammables. L'appareil crée des étincelles qui peuvent enflammer des poussières ou des vapeurs.

Veiller à bien respecter les mesures de précaution suivantes lors de la mise en marche de l'appareil :

- Vérifier que tous les écrous et toutes les vis sont bien serrés.
- Vérifier qu'une clé ou l'outil de blocage n'est pas resté posé sur la partie tournante de l'appareil.
- Établir un périmètre de sécurité autour de l'appareil et s'assurer que personne ni aucun animal ne se trouve à proximité.

Le non-respect de ces mesures de précaution constitue un risque d'accident grave voire mortel.

- Au démarrage de l'appareil, vérifier l'absence de vibrations et de sons anormaux. Ne pas utiliser l'appareil en cas de vibrations ou de sons anormaux. S'adresser à un revendeur pour faire effectuer les réparations nécessaires. La chute ou la rupture accidentelle de pièces constitue un risque de blessures graves.

- Toujours éteindre l'appareil et retirer la batterie avant de transporter l'appareil.

- Ne pas toucher le renvoi d'angle et autres composants sous haute température lorsque l'appareil fonctionne et pendant la phase qui suit l'arrêt de l'appareil.

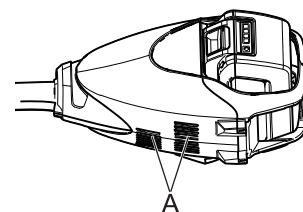
Il existe un risque de brûlure en cas de contact avec un composant à haute température.



- Ne jamais utiliser l'appareil en se penchant trop en avant et veiller à rester bien en équilibre à tout moment. Veiller à être toujours bien d'aplomb sur les terrains en pente et à marcher ; ne jamais courir.
- Ne jamais utiliser l'appareil si les protections ou les protecteurs d'outil sont défectueux, sans dispositif de sécurité ou lorsque le cordon est endommagé ou usé.

IMPORTANT

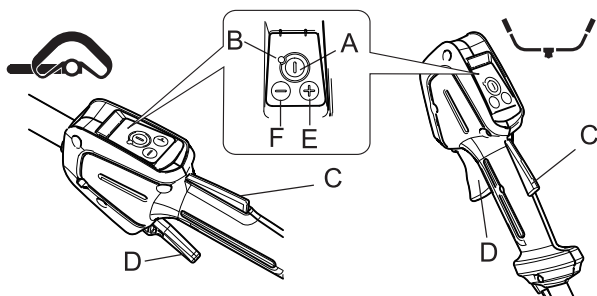
- Toujours garder les fentes de ventilation (A) propres.



Mise en marche de l'appareil

AVERTISSEMENT

- L'outil de coupe fonctionne lorsque la batterie est installée, la DEL du témoin d'alimentation allumée et l'interrupteur à poussoir et le blocage de l'interrupteur à poussoir engagés. Veiller à positionner l'appareil correctement pour éviter toute perte de contrôle et un éventuel accident grave.



1. Vérifier que l'outil de coupe n'est pas en contact avec le sol ou avec d'autres obstacles, en utilisant une traverse ou un autre objet similaire.
2. Appuyer brièvement sur le bouton d'alimentation (A) pour mettre l'appareil sous tension.
 - * La DEL du témoin d'alimentation (B) s'allume lorsque l'appareil est sous tension.
3. Enfoncer le blocage de l'interrupteur à poussoir (C) et appuyer sur l'interrupteur à poussoir (D) de façon à ce que le moteur atteigne la vitesse normale de fonctionnement.
4. Pour augmenter la vitesse, appuyer sur le bouton + (E).
5. Pour diminuer la vitesse, appuyer sur le bouton - (F).

Fonctionnement

6. L'appareil peut maintenir trois vitesses.
7. Si l'on appuie sur le bouton + (E) pendant une seconde, l'appareil conserve alors sa vitesse.
8. Pour ne pas maintenir cette vitesse, appuyer sur le bouton +.

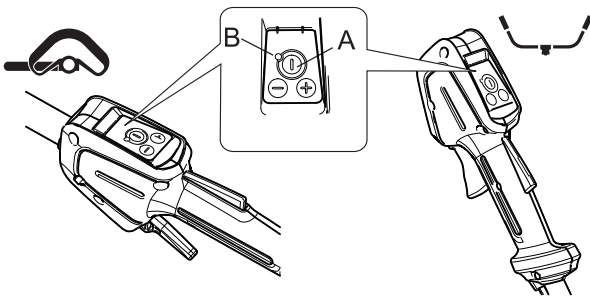
IMPORTANT

- Lorsque l'appareil est sous tension :
 - Au bout de 90 secondes d'inactivité, il s'éteint tout seul.
 - Si la DEL reste allumée, l'appareil fonctionne normalement.
 - Si la DEL clignote une fois par seconde, la batterie doit être chargée.
 - Si la DEL clignote quatre fois par seconde, l'appareil présente un défaut. Mettre l'appareil hors tension. Retirer la batterie. Enlever les débris autour de la tête de coupe. Installer la batterie. Mettre l'appareil sous tension. Si le clignotement persiste, demander à un technicien agréé de réparer l'appareil.

Arrêt de l'appareil

AVERTISSEMENT

○ L'outil de coupe continue de fonctionner pendant une courte durée une fois l'appareil éteint.



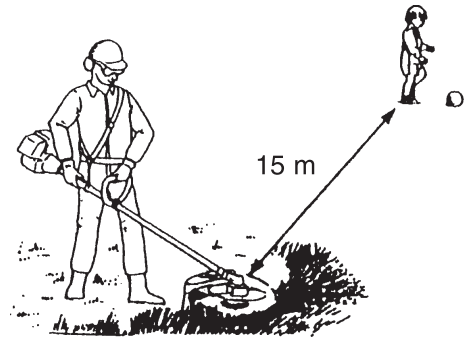
1. Relâcher l'interrupteur à poussoir et le blocage de l'interrupteur à poussoir, et laisser le taille-haie s'arrêter.
 2. Appuyer sur le bouton d'alimentation (A) pour mettre l'appareil hors tension.
- * La DEL du témoin d'alimentation (B) s'éteint lorsque l'appareil est hors tension.
 - * Si le taille-haie ne s'arrête pas lorsque l'interrupteur à poussoir et le blocage de l'interrupteur à poussoir sont relâchés, appuyer sur le bouton d'alimentation pour enclencher la mise hors tension et retirer la batterie afin d'interrompre l'alimentation du produit. Demander à un technicien agréé de réparer le bouton d'alimentation avant d'utiliser à nouveau le produit.

Utilisation de l'appareil

DANGER

- **Toujours arrêter l'appareil et retirer la batterie en cas de blocage de l'outil de coupe.**
Après déblocage de l'outil de coupe, celui-ci redémarrerait soudainement, entraînant ainsi un risque de blessure grave.
- **Ne pas utiliser l'appareil sans le protecteur d'outil.**
Il est possible que des objets ricochent sur l'outil de coupe et soient projetés vers l'utilisateur, entraînant ainsi un risque d'accident ou de blessure grave.
- **La zone comprise dans un rayon de 15 mètres autour de l'appareil est une zone dangereuse. Veiller à bien respecter les mesures de précaution suivantes lors de l'utilisation de l'appareil.**
 - ◆ **Ne laisser personne (enfants, animaux ou autres personnes) pénétrer dans la zone dangereuse.**
 - ◆ **Si quelqu'un pénètre dans la zone dangereuse, éteindre l'appareil pour arrêter l'outil de coupe.**
 - ◆ **Lorsque vous vous approchez de l'utilisateur, signalez-lui votre présence en lançant des brindilles, par exemple, sans entrer dans la zone dangereuse. Vérifiez ensuite que le fonctionnement de l'appareil est coupé et que l'outil de coupe ne tourne plus.**
 - ◆ **Si l'appareil est utilisé par plusieurs personnes, celles-ci doivent convenir entre elles des signaux à utiliser et travailler à plus de 15 mètres les unes des autres.**

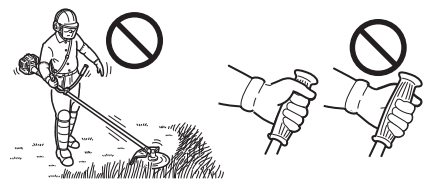
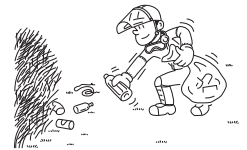
Toute projection d'objet ou tout contact avec l'outil de coupe entraîne un risque d'accident mortel ou pouvant causer la cécité de l'utilisateur.



AVERTISSEMENT

- **Avant de commencer à travailler, inspecter la zone de travail et retirer tous les cailloux et les canettes vides susceptibles de ricocher sur l'outil de coupe, ainsi que les morceaux de fils ou de câbles qui risquent de s'enrouler autour de l'outil de coupe.**
Un risque de projection pouvant entraîner un accident ou une blessure grave peut survenir lorsqu'un objet ricoche sur l'outil de coupe ou lorsqu'un fil s'enroule autour de ce dernier.
 - **Éteindre immédiatement l'appareil et attendre que l'outil de coupe soit complètement arrêté avant d'inspecter les composants de l'appareil. Remplacer toute pièce endommagée.**
 - ◆ **Si l'outil de coupe heurte une pierre, un arbre, un poteau ou tout autre obstacle au cours de son utilisation.**
 - ◆ **Si l'appareil se met à vibrer soudainement de façon anormale.**

L'utilisation prolongée de pièces endommagées entraîne un risque d'accident ou de blessure grave.
 - **Ne pas tenir l'outil de coupe vers le haut pendant le travail. Ne pas travailler en tenant l'outil de coupe au-dessus des genoux.**
Si l'outil de coupe est au-dessus des genoux, le plan de rotation est plus proche du visage de l'utilisateur, ce qui entraîne un risque d'accident ou de blessure grave en cas de projections.
- Transport de l'appareil**
- **Avant de transporter l'appareil dans les situations décrites ci-après, l'éteindre et s'assurer que la lame de coupe a cessé de tourner, puis mettre en place le protecteur de lame de coupe.**
 - ◆ **Se déplacer vers le lieu de travail.**
 - ◆ **Se déplacer vers un autre endroit tout en travaillant.**
 - ◆ **Quitter le lieu de travail.**
 - **Pour transporter l'appareil dans une voiture, retirer le bloc-batterie, poser le protecteur de lame et s'assurer que l'appareil est bien calé pour éviter qu'il se déplace lors du trajet.**
Le non-respect de ces mesures de précaution constitue un risque de brûlure ou de blessure grave.
 - **Ne jamais essayer d'utiliser l'appareil d'une seule main.**
 - **Passer les pouces autour de la poignée et saisir la poignée en l'enveloppant avec les autres doigts.**
 - **Les poignées et les surfaces de préhension doivent toujours rester propres, sèches et exemptes de toute trace d'huile et de graisse.**
Des poignées et surfaces de préhension glissantes ne permettent pas de guider et de maîtriser l'appareil dans des situations imprévues.



Utilisation de l'appareil

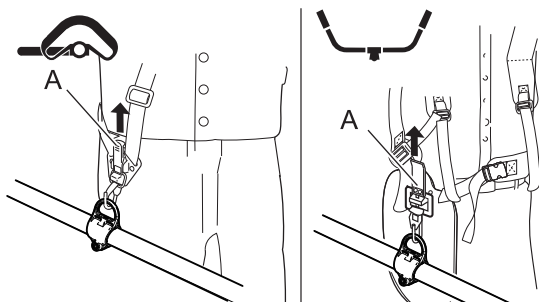
REMARQUE

- Lors de la première utilisation de cet appareil à basse température après l'achat, il se peut qu'il ne fonctionne pas correctement dans de rares cas. Ce phénomène n'indique pas une panne du produit. Dans un tel cas, mettre l'appareil à température ambiante (température normale), et le mettre sous tension et hors tension à plusieurs reprises avant l'utilisation.

Utilisation du harnais

⚠ AVERTISSEMENT

- Ne pas porter simultanément plusieurs harnais de ceinture ou d'épaule.
- En cas de port d'un harnais, les autres équipements ne doivent pas gêner l'ouverture et le retrait de celui-ci.
Le non-respect de cette règle de sécurité entraîne un risque d'accident ou de blessure grave.



Toujours monter correctement le coupe-herbe avec le harnais.

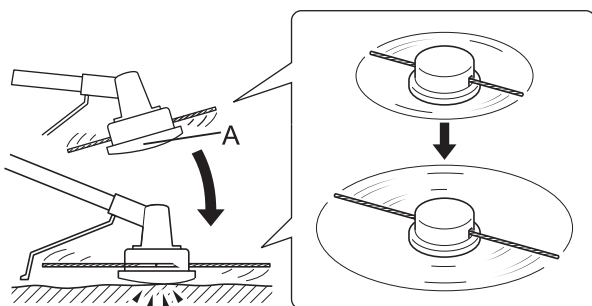
- ♦ Attacher la ceinture. La ceinture doit être bien ajustée.
- ♦ Fixer l'appareil au harnais.
- ♦ Version poignée semi-circulaire
Placer le harnais sur l'épaule gauche et régler les lanières de sorte que l'axe de décrochage rapide se situe juste sous la taille.
- ♦ Version brancard en U
Placer le harnais sur les épaules et régler les courroies pour positionner les points d'accrochage comme indiqué.
- ♦ Pour vérifier que l'appareil est correctement ajusté, déplacer l'outil de coupe au-dessus du sol.
- ♦ Réajuster le point d'accrochage si nécessaire.
- ♦ Le harnais est doté d'une fonction de décrochage rapide.
 - ♦ En cas d'incendie ou en cas d'urgence, tirer languette d'urgence (A) vers le haut pour détacher l'appareil.

Utilisation de base de l'appareil avec tête de coupe à fil nylon

⚠ AVERTISSEMENT

- Une mauvaise utilisation de l'outil de coupe peut entraîner un risque de blessure grave. Lire attentivement et respecter l'ensemble des règles de sécurité décrites dans ce manuel.
- Ne pas utiliser d'outil de coupe endommagé.
- Utiliser uniquement les outils de coupe recommandés par YAMABIKO Corporation.
- Tout excédent de fil nylon dépassant du couteau risque d'être projeté lorsque la tête de coupe à fil nylon commence à tourner après le réglage de la longueur du fil nylon.
Le non-respect de cette règle de sécurité entraîne un risque d'accident ou de blessure grave.

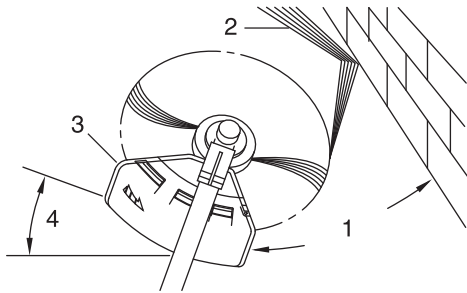
Réglage du fil nylon



- ♦ Le couteau situé sur le protecteur règle automatiquement la longueur du fil nylon en le coupant de manière uniforme lorsque l'outil de coupe commence à tourner.
- ♦ Pour utiliser l'appareil avec une longueur de fil inférieure à la longueur de coupe maximum, couper deux fils nylon de même longueur.
- ♦ Pour faire avancer le fil de coupe, taper la tête de coupe à fil nylon (A) contre le sol tandis qu'elle tourne à la vitesse normale de fonctionnement.

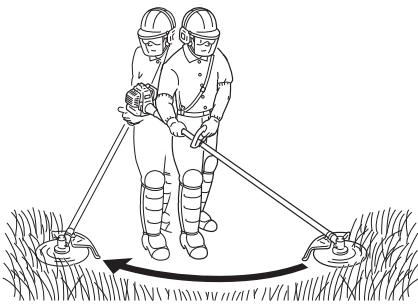
Utilisation de l'appareil

Taille



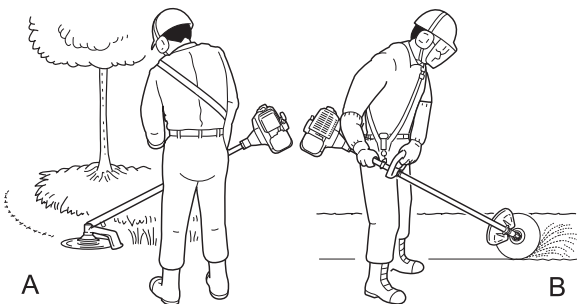
- ♦ La taille consiste à avancer l'appareil avec précaution dans l'objet à couper. Incliner légèrement la tête de coupe pour que les débris soient projetés loin de l'utilisateur. Pour effectuer une opération de taille à proximité d'une barrière, d'un mur ou d'un arbre, approcher l'appareil sous un angle tel que les débris ricochant sur la barrière ne soient pas projetés vers l'utilisateur.
 - ♦ Déplacer lentement la tête de coupe à fil nylon jusqu'à ce que l'herbe soit coupée jusqu'au niveau de la barrière, en évitant soigneusement de bloquer le fil dans la barrière. En cas de taille à proximité d'un grillage ou d'une clôture métallique, faire bien attention à ne pas coincer le fil dans le grillage ou la clôture. Si l'appareil est approché trop près, le fil se casse et s'enroule autour du grillage.
 - ♦ Pour couper les tiges de mauvaises herbes, procéder tige par tige. Toujours placer la tête de coupe à fil nylon au pied de la plante, jamais en haut, car la plante risque de se briser et de se prendre dans le fil. Plutôt que d'utiliser toute la longueur du fil pour couper une plante, ne passer que l'extrémité du fil sur la tige afin de la couper progressivement.
1. Angle par rapport au mur
 2. Débris
 3. Côté couteau relevé
 4. Angle par rapport au sol

Fauchage

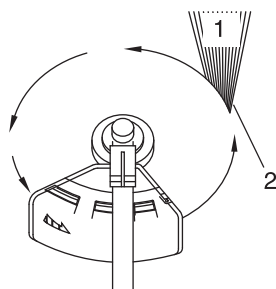


- ♦ Le fauchage consiste à couper ou tondre de grandes surfaces d'herbe en effectuant des mouvements en arc de cercle avec l'appareil. Procéder par mouvements lents et réguliers. Ne pas essayer de hacher l'herbe. Incliner la tête de coupe à fil nylon de sorte que les débris ne soient projetés dans la direction de l'utilisateur durant l'opération de fauchage. Puis retourner au point de départ (sans couper d'herbe) pour recommencer l'opération. Si l'utilisateur est bien protégé et n'est pas gêné par la projection de débris, il peut faucher dans les deux sens.

Désherbage et taille des bordures

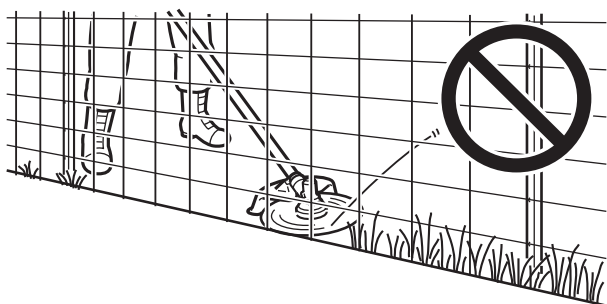


- ♦ Ces deux opérations sont effectuées à l'aide de la tête de coupe à fil nylon inclinée sous un angle aigu. Le désherbage (A) consiste à retirer les plantes de surface, laissant la terre nue. La taille de bordures (B) consiste à couper l'herbe qui a poussé sur un trottoir ou dans une allée. Lors du désherbage ou de la taille de bordures, maintenir l'appareil sous un angle de coupe aigu de sorte que les débris, pierres et poussières soulevés ne soient pas projetés en direction de l'utilisateur, même s'ils ricochent sur une surface dure.
- ♦ Les images montrent comment désherber et tailler les bordures. Cependant, c'est à l'utilisateur de trouver les angles de coupe les mieux adaptés à sa taille et à l'opération effectuée.
- ♦ Pour la plupart des opérations de coupe, il est recommandé d'incliner la tête de coupe à fil nylon de sorte que le contact se fasse uniquement sur la partie du cercle décrit par le fil la plus éloignée de l'utilisateur (voir l'image correspondante). Ainsi, les débris ne sont pas projetés en direction de l'utilisateur.
- ♦ Si la tête est inclinée du mauvais côté, les débris sont projetés vers l'utilisateur. Si la tête de coupe à fil nylon est maintenue à plat sur le sol et que la coupe s'effectue sur la totalité du cercle décrit par le fil, les débris sont projetés en direction de l'utilisateur, la résistance ralentit l'appareil et une grande quantité de fil doit être utilisée.
- ♦ La tête de coupe à fil nylon tourne dans le sens inverse des aiguilles d'une montre. Le couteau se situe sur le côté gauche du protecteur d'outil.



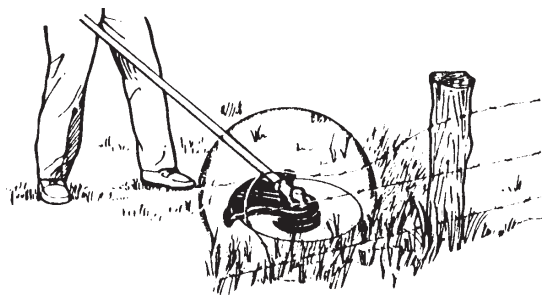
1. Débris

Utilisation de l'appareil



2. Couper de ce côté

- ♦ Ne pas approcher le fil d'herbes drues, d'arbres ou de grillages.
 - ♦ Mettre le fil en contact avec du grillage ou avec des broussailles denses peut causer la rupture du fil ; les extrémités du fil risquent alors d'être projetées vers l'utilisateur. La bonne technique consiste à couper l'herbe jusqu'à l'obstacle, mais à ne jamais heurter le fil contre l'obstacle. Ne pas utiliser l'appareil à proximité d'un obstacle ou d'une barrière.
-
- ♦ Éviter de mettre le fil nylon en contact avec des morceaux de grillage. À haut régime, les morceaux de fils de fer peuvent être projetés.

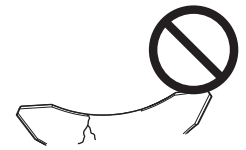


Utilisation de l'appareil

Utilisation de base de l'appareil avec lame métallique

AVERTISSEMENT

- Respecter les instructions suivantes lors de l'utilisation de l'appareil.
 - ◆ Vérifier que la lame est bien serrée et maintenue fermement en place.
 - ◆ Remplacer le protecteur d'outil s'il est endommagé ou fissuré.
 - ◆ Remplacer l'écrou de fixation de la lame lorsqu'il est usé.
 - ◆ Ne pas enfoncer la lame dans le sol.
 - ◆ Ne pas utiliser l'appareil si sa lame est émoussée, courbée, fracturée ou décolorée ou si l'écrou de fixation est usé ou endommagé.



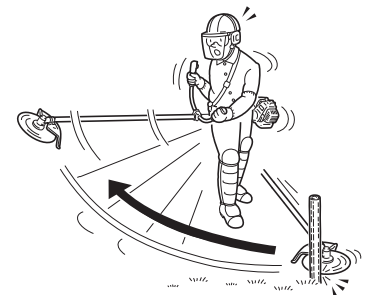
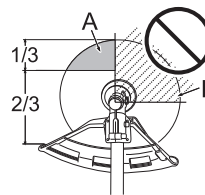
Le non-respect de cette règle de sécurité entraîne un risque d'accident ou de blessure grave.

- Utiliser uniquement les outils de coupe recommandés par YAMABIKO Corporation. YAMABIKO décline toute responsabilité en cas de panne d'un dispositif de coupe, outil ou accessoire n'ayant pas été testé et approuvé par YAMABIKO en vue d'être utilisé avec cet appareil.
- Le type de lame utilisé doit être adapté au type et à la taille du matériau coupé. Une lame incorrecte ou émoussée peut entraîner des blessures graves. Les lames doivent être affûtées. Des lames émoussées augmentent le risque d'éjection de débris et de blessures pour vous-même et les personnes à proximité.
 - ◆ Des lames en plastique/nylon pour herbe/mauvaises herbes peuvent être utilisées chaque fois que la tête de fil nylon est utilisée. Ne pas utiliser cette lame pour des buissons ou de mauvaises herbes épaisses.
 - ◆ La lame à 3 dents est conçue spécialement pour la tonte et le désherbage. Pour éviter le risque de blessure cause par un rebond ou une fracture de la lame, ne pas utiliser la lame à 3 dents pour couper des arbres ou des buissons.
 - ◆ La lame à 8 dents pour herbe/mauvaises herbes est conçue pour l'herbe, les déchets de jardin et les mauvaises herbes épaisses. Ne pas utiliser cette lame pour des buissons ou des arbustes d'un diamètre égal ou supérieur à 19 mm.
 - ◆ La lame de débroussaillage à 22 dents est conçue pour des fourrés denses et de jeunes arbres jusqu'à 64 mm de diamètre.
 - ◆ La lame de débroussaillage à 80 dents est conçue pour couper des broussailles et des arbustes jusqu'à 13 mm de diamètre.

Une lame endommagée ou brisée peut entraîner un risque d'accident ou de blessure grave.

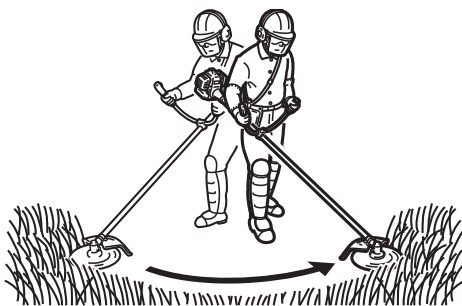
Rebond

- Lorsque la lame heurte un arbre, un poteau, une pierre ou tout autre objet dur alors qu'elle tourne à une vitesse élevée, elle subit un mouvement de recul violent et instantané. C'est ce que l'on appelle le phénomène de rebond.
- Le phénomène de rebond est très dangereux car il peut provoquer une perte de contrôle de l'appareil.
- Par exemple, si le quadrant avant droit de la lame (B) vient heurter un arbuste ou un objet similaire, l'appareil va subir un mouvement de recul brutal vers la droite.
- Pour prévenir le phénomène de rebond, ne pas tailler de gauche à droite. Veiller à ce que la lame ne heurte aucun objet dur.
- Lors de la taille, couper l'objet avec le tiers avant gauche de la lame (A).



Le non-respect de cette mesure de précaution peut entraîner un risque de blessure ou d'accident mortel.

Fauchage des mauvaises herbes



- ◆ Lors du fauchage, l'utilisateur décrit des arcs de cercle avec l'outil de coupe. Cette méthode permet de désherber rapidement une zone donnée. La technique de fauchage ne doit pas être employée pour couper des plantes hautes et drues ou des arbustes.
- ◆ Si un arbrisseau ou un arbuste bloque l'outil de coupe, ne pas se servir de l'outil de coupe comme levier pour le dégager : l'outil risque d'être endommagé.
- ◆ Dans ce cas, éteindre l'appareil et pousser l'arbrisseau ou l'arbuste pour dégager les lames.

Entretien

⚠ AVERTISSEMENT

- Respecter les mesures de précaution suivantes lors de la vérification et de l'entretien de l'appareil après utilisation :
- **Mettre l'appareil hors tension, retirer la batterie et s'assurer que toutes les pièces mobiles sont complètement à l'arrêt.**
Il existe un risque d'accident en cas de démarrage intempestif de l'appareil.
 - **Laisser l'appareil refroidir avant d'intervenir dessus.**
Il existe un risque de brûlure.
 - **Ne jamais essayer de réparer des blocs-batteries endommagés. L'entretien des blocs-batteries doit être exclusivement confié au fabricant ou à des agents d'entretien agréés.**

IMPORTANT

- La vérification et l'entretien nécessitent des connaissances spécialisées. Si l'utilisateur ne possède pas les compétences requises pour effectuer les opérations de vérification et d'entretien de l'appareil ou pour remédier à un dysfonctionnement, il doit consulter un revendeur. Ne pas essayer de démonter le produit.

Instructions d'entretien de l'appareil

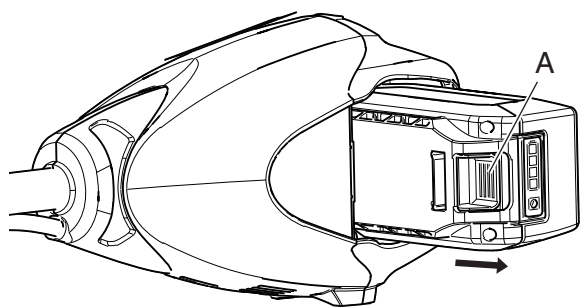
Pièce	Entretien	Page	Avant utilisation	Tous les mois
Batterie	Contrôler/nettoyer/charger	10	•	
Renvoi d'angle	Lubrifier	22		•*
Couteau	Contrôler/nettoyer	-	•	
Vis, boulons et écrous	Contrôler, serrer/remplacer	-	•	

* Ou 50 heures, si ce seuil est atteint avant la fin de la période indiquée.

Entretien

En cas de questions ou de problèmes, contacter un revendeur.

Nettoyage de la batterie et de son logement

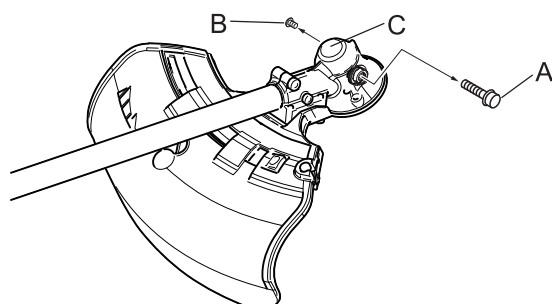


⚠ AVERTISSEMENT

- **Risque de choc électrique ou d'incendie. Ne pas utiliser de matériaux conducteurs pour nettoyer la batterie ou son logement.**

1. Relâcher l'interrupteur à poussoir et le blocage de l'interrupteur à poussoir et laisser le taille-haie s'arrêter.
2. S'assurer que la DEL du témoin d'alimentation n'est pas allumée.
3. Appuyer sur le verrou du bloc-batterie (A) et faire glisser le bloc-batterie hors de la tête motrice.
4. Utiliser de l'air comprimé ou une brosse à poils souples pour enlever les débris de la batterie et de son logement.

Renvoi d'angle

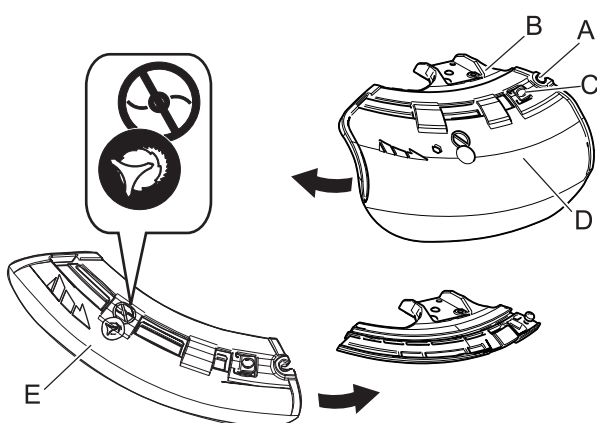


1. Retirer le bouchon (A) et la vis de vidange (B) du renvoi d'angle (C).
2. Ajouter de la graisse dans le renvoi d'angle jusqu'à ce que l'ancienne graisse soit expulsée. Si besoin, utiliser une pompe à basse pression.

REMARQUE

- Utiliser une graisse multi-usage au lithium de bonne qualité.
3. Remettre en place la vis de vidange et le bouchon.

Méthode de remplacement du protecteur d'outil



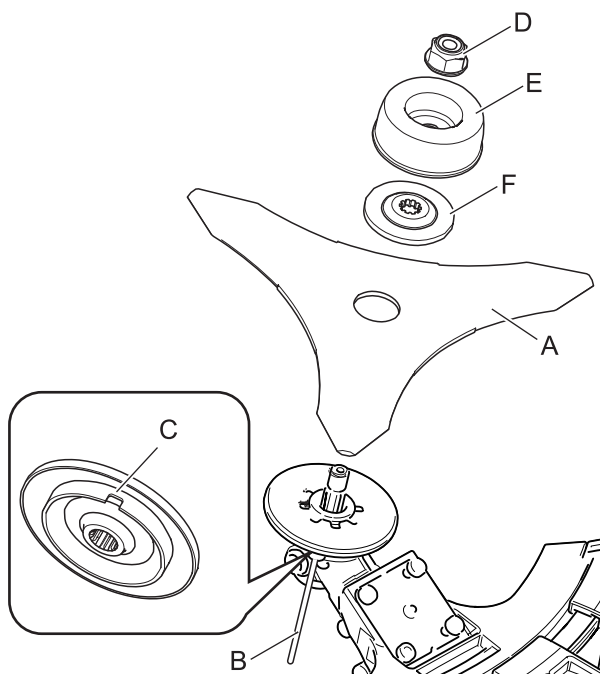
♦ Il existe deux types de protecteurs d'outil : le premier est utilisé exclusivement pour les têtes de coupe à fil nylon et le second uniquement pour les lames métalliques. Lorsqu'une lame métallique est utilisée, installer le protecteur d'outil pour lames métalliques.

1. Dévisser entièrement le boulon (A) situé sur le côté droit du support (B) pour faire glisser le protecteur. Le boulon ne s'enlève pas et reste solidaire du support.
2. Tout en appuyant sur le bouton (C), faire glisser le protecteur (D) vers la gauche et le retirer.
3. Placer le protecteur d'outil de remplacement (E) dans la rainure et le faire glisser vers la droite jusqu'en butée. Veiller à serrer le boulon.

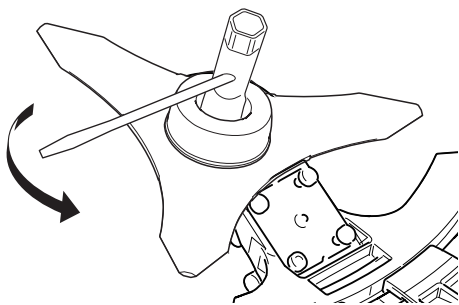
Pose de la lame (en option)

⚠ AVERTISSEMENT

- Porter des gants résistants lorsque la lame doit être manipulée.
- En cas de remplacement de la lame pendant une opération de taille, s'assurer que l'appareil est éteint et que les lames ne tournent plus.
- Ne pas essayer de poser la lame d'une seule main ou sans utiliser la clé à pipe. Poser la lame avec précision à l'aide de la clé à pipe fournie avec l'appareil et la serrer fermement.
- Ne pas serrer la lame à l'aide d'outils autres que la clé à pipe fournie ; avec un outil pneumatique ou électrique, la lame risquerait d'être serrée de manière excessive, ce qui casserait l'écrou ou l'arbre de sortie.
- Si un écrou et une coupelle usés sont utilisés, la lame risque de se desserrer. Les remplacer par des pièces neuves. Le non-respect de cette règle de sécurité entraîne un risque d'accident ou de blessure grave.



1. Examiner les lames (A) avant de les installer. Vérifier leur affûtage. Les lames émoussées augmentent le risque de rebonds. Les lames légèrement fissurées peuvent se fracturer et des morceaux de lame peuvent être projetés pendant l'utilisation de l'appareil. Jeter les lames fissurées, quelle que soit la taille de la fissure.
2. Insérer l'outil de blocage (B) dans l'orifice situé sur le côté droit du renvoi d'angle tout en poussant le ressort de retenue vers la gauche.
3. Enfoncer l'outil de blocage dans le trou de blocage de lame (C) pour fixer l'arbre de sortie.
4. Se servir d'une clé à pipe pour retirer l'écrou (D), la coupelle (E) et le dispositif de blocage inférieur de la lame (F).
5. Serrer solidement à la main la lame, le dispositif de blocage inférieur de la lame, la coupelle et l'écrou.

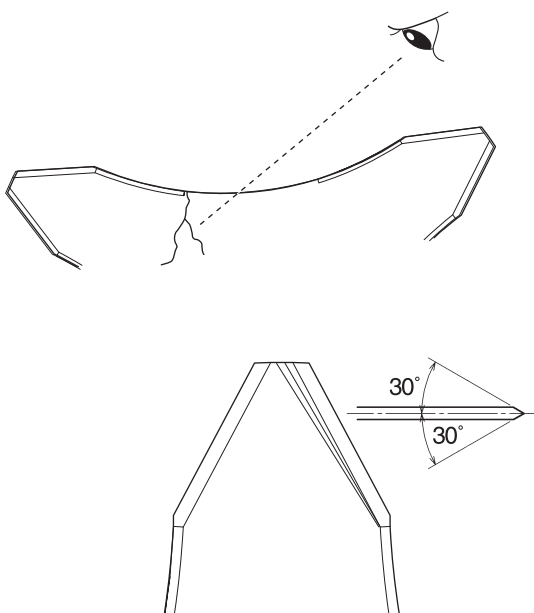


⚠ ATTENTION

○ **Fixer solidement l'arbre de sortie à l'aide de l'outil de blocage pour éviter qu'il ne tourne lors de la pose de la lame. Sinon, l'écrou de fixation de la lame ne sera pas suffisamment serré.**

6. Serrer l'écrou (en tournant dans le sens inverse des aiguilles d'une montre) à l'aide d'une clé à pipe. Ne jamais serrer en utilisant le poids de votre corps. Dans le cas contraire, le filetage de l'écrou risque de se briser.
7. Retirer l'outil de blocage.

Vérification de la lame



- ◆ Utiliser uniquement une lame recommandée pour ce modèle par le constructeur.
- ◆ En cas de fissure, remplacer la lame.
- ◆ Vérifier que la lame est correctement fixée, conformément aux instructions.

- ◆ Lorsque la lame commence à s'émousser, il est possible de continuer à l'utiliser en la retournant.
- ◆ En cas de fêlure ou de déformation de la lame, les vibrations émises par l'appareil augmentent. Procéder au remplacement de la lame.
- ◆ Lors de l'affûtage de la lame, veiller à ce que les 3 tranchants soient uniformément affûtés en utilisant une lime plate, comme indiqué sur l'image. Dans le cas contraire, l'appareil risque d'être déséquilibré et d'émettre plus de vibrations.

Chargement du fil nylon

⚠ DANGER

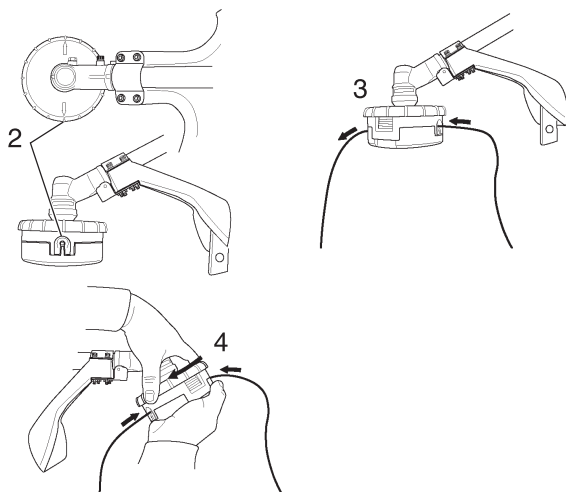
○ **Éteindre l'appareil, retirer le bloc-batterie et s'assurer que la tête de coupe à fil nylon ne tourne plus avant de procéder au remplacement de la pièce.**

Le non-respect de cette règle de sécurité entraîne un risque d'accident ou de blessure grave.

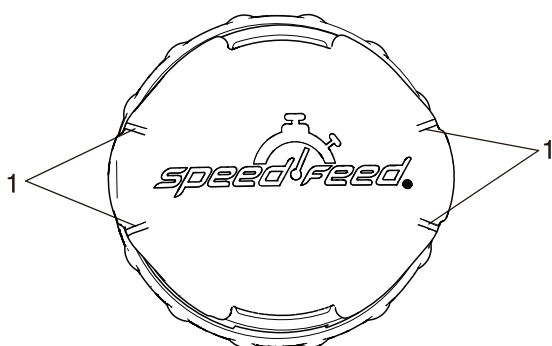
⚠ AVERTISSEMENT

○ **Utiliser uniquement un fil de coupe flexible et non métallique recommandé par YAMABIKO Corporation.**

Le non-respect de cette règle de sécurité entraîne un risque d'accident ou de blessure grave.



1. Couper un morceau de fil à la longueur recommandée.
 - ♦ Diamètre 2,4 mm - 3,5 m
2. Aligner les flèches sur le dessus du bouton avec les ouvertures dans les œillets.
3. Introduire une extrémité du fil nylon dans un œillet et enfoncer le fil en l'égalisant à travers la tête de coupe à fil nylon.
4. Maintenir la tête de coupe à fil nylon tout en tournant le bouton dans le sens des aiguilles d'une montre pour enrouler le fil sur la bobine jusqu'à ce qu'il reste environ 13 cm visible à chaque extrémité du fil.



1. Témoins d'usure

Guide de dépannage

IMPORTANT

- En ce qui concerne les pièces de rechange et les consommables, utiliser uniquement des pièces d'origine et les produits et composants recommandés.
L'utilisation de pièces d'autres marques ou de composants inappropriés peut entraîner un dysfonctionnement de l'appareil.

Entretien

Problème	Cause	Solution
Voyant rouge du chargeur clignotant ou ne s'allumant pas	<ol style="list-style-type: none">1. Fiche non branchée dans la prise d'alimentation2. Bloc-batterie mal installé3. Connexion obstruée4. Défaut du chargeur5. Défaut du bloc-batterie	<ol style="list-style-type: none">1. Brancher le chargeur2. Contrôler la pose du bloc-batterie3. Réinstaller le bloc-batterie après avoir éliminé ce qui empêche la connexion4. Consulter un revendeur5. Consulter un revendeur
L'appareil ne se met pas en marche	<ol style="list-style-type: none">1. Bloc-batterie mal installé	<ol style="list-style-type: none">1. Contrôler la pose du bloc-batterie
L'appareil ne fonctionne pas lorsqu'il est mis en marche	<ol style="list-style-type: none">1. Bloc-batterie déchargé2. Tête de coupe obstruée3. Bloc-batterie hors de la plage de température acceptable	<ol style="list-style-type: none">1. Charger le bloc-batterie2. Arrêter l'appareil et nettoyer l'outil de coupe3. Retirer le bloc-batterie et le laisser refroidir
Le temps d'utilisation est trop court	<ol style="list-style-type: none">1. Bloc-batterie hors de la plage de température acceptable2. Module électronique de l'appareil trop chaud3. Bloc-batterie déchargé	<ol style="list-style-type: none">1. Retirer le bloc-batterie et le laisser refroidir2. Éteindre l'appareil et laisser refroidir3. Charger le bloc-batterie
Avance du fil impossible	<ol style="list-style-type: none">1. Quantité insuffisante de fil sur la bobine2. Fil emmêlé dans la bobine	<ol style="list-style-type: none">1. Rembobiner à l'aide de fil neuf2. Débobiner puis rembobiner le fil
Le fil ne se coupe pas	<ol style="list-style-type: none">1. Couteau placé dans le protecteur d'outil endommagé ou manquant	<ol style="list-style-type: none">1. Consulter un revendeur

- ♦ En cas de problème différent de ceux décrits dans le tableau ci-dessus, consulter un revendeur.
- ♦ S'adresser à un revendeur pour la mise au rebut de l'appareil ou de ses composants conformément à la législation nationale en vigueur.

Fabricant :

YAMABIKO CORPORATION

1-7-2 Suehirocho, Ohme, Tokyo 198-8760 JAPON

Représentant autorisé en Europe :

CERTIFICATION EXPERTS B.V.

Amerlandseweg 7, 3621 ZC Breukelen, Pays-Bas

Remisage

 AVERTISSEMENT	
<p>○ Ne pas remisage dans une enceinte où une accumulation de vapeurs inflammables est susceptible de se produire. Il existe un risque d'incendie.</p>	

Si le produit doit être remisage pendant une longue période, respecter les instructions de remisage suivantes.

Moteur

1. Mettre l'appareil hors tension.
2. Retirer la batterie de la tête motrice.
3. Éliminer la saleté et les débris accumulés à l'extérieur de l'appareil.
4. Serrer l'ensemble des vis et écrous.
5. Couvrir le logement de batterie de la tête motrice, la batterie et le chargeur de batteries.
6. Remisage l'appareil dans un endroit sec, non poussiéreux et hors de portée des enfants.

Batterie

1. Retirer la batterie de la tête motrice.
2. Remiser dans un endroit sec, non poussiéreux et hors de portée des enfants.
3. Remiser à une température comprise entre -20 (-4 °F) et 60 °C (140 °F).
4. Si la pile est stockée pendant plus d'un an, la charger à environ 40 à 60 % de sa capacité.

Chargeur de batteries

1. Retirer la batterie du chargeur de batteries.
2. Débrancher le chargeur de batteries de l'alimentation électrique.
3. Remiser dans un endroit sec, non poussiéreux et hors de portée des enfants.

Mise au rebut



- ♦ Les pièces plastiques principales de l'appareil portent des codes indiquant la nature de leurs matériaux de composition. Ces codes font référence aux matériaux suivants ; procéder à l'élimination de ces pièces plastiques conformément à la législation locale en vigueur.

Code	Matériau
>PA6-GF<	Nylon 6 - Fibre de verre
>PP-GF<	Polypropylène - Fibre de verre
>PE-HD<	Polyéthylène
>PP<	Polypropylène

- ♦ Si vous ne connaissez pas la procédure à suivre pour vous débarrasser des pièces plastiques, contactez votre revendeur.
- ♦ La batterie contient du lithium. Effectuer la mise au rebut uniquement dans un site de ramassage désigné.
- ♦ Recycler ou mettre au rebut les batteries au lithium-ion comme il se doit.

Caractéristiques

	DSRM-2600	
	L	U
Dimensions externes : longueur × largeur × hauteur	1896 × 332 × 275 mm	1896 × 669 × 593 mm
Masse : Appareil sans batterie, outil de coupe et protecteur Appareil avec batterie, outil de coupe spécifié, protecteur et harnais	3,2 kg 6,0 kg	3,7 kg 6,9 kg
Outil de coupe : Tête de coupe à fil nylon (largeur de coupe) Filetage Dimension du fil nylon (diamètre) Longueur du fil nylon	SF400 (406) Filetage à gauche M10×pas 1,25 2,4 mm 3,5 m	
Carter d'engrenage : rapport et lubrification Sens de rotation de l'arbre de sortie vu du dessus Fréquence de rotation maximale de la broche	Réduction de 1,62 et graisse au lithium de bonne qualité Sens inverse des aiguilles d'une montre 5700 min ⁻¹	
Batterie : Type Tension du bloc Type de chargeur Tension d'entrée du chargeur	Li-ion 56 volts (tension nominale 50,4 V) CCCV 220 - 240 volts CA	
Voyants du chargeur de batteries :	DEL rouge – batterie hors de la plage de température de charge DEL rouge clignotante – défaut DEL verte – mise en charge de la batterie terminée DEL verte clignotante – batterie en cours de charge normale	
Temps de charge :	(avec LCJQ-560) Batterie LBP-560-100 : environ 42 minutes. Batterie LBP-560-200 : environ 88 minutes.	
Niveaux de vibrations : (EN50636-2-91)	Poignée avant 1,3 m/s ² Poignée arrière 1,5 m/s ² Incertitude 1,5 m/s ²	Poignée gauche 2,1 m/s ² Poignée droite 1,4 m/s ² Incertitude 1,5 m/s ²
Niveau de pression sonore : (EN50636-2-91) Niveau de puissance sonore : (EN50636-2-91) Incertitude	78,5 dB(A) 92,6 dB(A) 3,0 dB(A)	80,7 dB(A) 91,0 dB(A) 3,0 dB(A)
Niveau de puissance sonore garanti : (2000/14/CE, Annexe VI)	96 dB(A)	96 dB(A)

Ces caractéristiques sont susceptibles d'être modifiées sans préavis.

Les vibrations et émissions sonores pendant l'utilisation réelle de l'appareil peuvent différer des valeurs déclarées selon la façon dont l'outil est utilisé, en particulier en fonction du type de travail effectué.

Déclaration de conformité

Le fabricant soussigné :

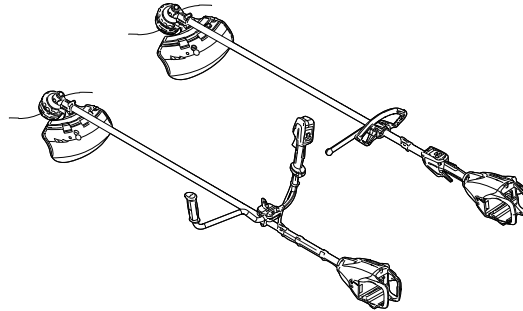
YAMABIKO CORPORATION
1-7-2 Suehirocho, Ohme, Tokyo 198-8760 JAPON

Cette déclaration de conformité est délivrée sous la seule responsabilité du fabricant.

Déclare que l'appareil neuf désigné ci-après :

COUPE-HERBE/DÉBROUSSAILLEUSE

Marque : ECHO
Type : DSRM-2600



Est conforme :

- * aux exigences de la directive **2006/42/CE** (utilisation de la norme harmonisée **EN ISO 11806-1: 2011, EN 60335-1: 2012 +A11: 2014 et EN 50636-2-91: 2014**)
- * aux spécifications de la directive **2014/30/UE** (utilisation de la norme harmonisée **EN 55014-1: 2017 +A11: 2020, EN 55014-2: 2015**)
- * aux exigences de la directive **2000/14/CE** modifié par **2005/88/CE**

Procédure d'évaluation de conformité suivie **ANNEXE VI**

TÜV SÜD Industrie Service GmbH (Organisme notifié 0036)
Westendstraße 199 80686 München Allemagne

Niveau de puissance sonore mesuré : 92,2 dB(A) Poignée semi-circulaire, 91,4 dB(A) Brancard en U

Niveau de puissance acoustique garanti : 96 dB(A)

- * aux exigences de la directive **2011/65/UE** (utilisation de la norme harmonisée **EN IEC63000: 2018**)

Numéro de série U49735001001 à U49735100000

Tokyo, 27 janvier 2022

YAMABIKO CORPORATION



Hisashi Kobayashi

Directeur général
Service Assurance qualité

Représentant autorisé en Europe, autorisé à constituer le dossier technique.

Société : CERTIFICATION EXPERTS B.V.

Adresse : Amerlandseweg 7, 3621 ZC Breukelen, Pays-Bas

M. Richard Glaser

Importateur pour la France

Société : P.P.K.

Adresse : Z.I. du Chemin Vert 10/16 rue de l'Angoumois BP 8002 - 95811 ARGENTEUIL CEDEX, France

YAMABIKO CORPORATION
1-7-2 Suehirocho, Ohme, Tokyo 198-8760 JAPON
TÉLÉPHONE : 81-428-32-6118. FAX : 81-428-32-6145.



X750816-3801



DEUTSCH
DE (Original Gebrauchsanleitung)

BEDIENUNGSANLEITUNG RASENTRIMMER/MOTORSENSE DSRM-2600

⚠️ WARNUNG



**LESEN SIE DIE BEDIENUNGSANLEITUNG SORGFÄLTIG DURCH,
UND BEFOLGEN SIE DIE SICHERHEITSREGELN.
ANDERNFALLS BESTEHT DAS RISIKO SCHWERER
VERLETZUNGEN.**



Inhalt

Sichere Verwendung des Produkts	3
Beschreibung	8
Bevor Sie beginnen	9
Packliste	9
Laden des Akkus	10
Zusammenbau	11
Rundgriff-Version	11
U-Griff-Version	11
Ausrichten der Balance	13
Batterieinstallation	13
Betrieb	15
Starten des Geräts	15
Stoppen des Geräts	16
Trimmen	17
Verwendung des Schultergurts	18
Einfaches Trimmen mit dem Nylonfadenkopf	18
Einfaches Trimmen mit Metallmesser	21
Wartung und Pflege	22
Wartungsrichtlinien	22
Wartung und Pflege	22
LAGERUNG	26
Entsorgung	27
Technische Daten	28
Konformitätserklärung	29

Sichere Verwendung des Produkts

Wichtige Informationen

⚠️ WARNUNG

Lesen Sie unbedingt die Bedienungsanleitung, bevor Sie das Produkt verwenden.

Allgemeines zu dieser Bedienungsanleitung

- Diese Bedienungsanleitung enthält wichtige Informationen über Montage, Bedienung und Instandhaltung Ihres Produkts. Bitte lesen Sie sie sorgfältig durch, und machen Sie sich mit dem Inhalt vertraut.
- Bewahren Sie die Anleitung stets an einem schnell zugänglichen Ort auf.
- Sollte die Anleitung verloren gehen oder aufgrund von Beschädigungen nicht mehr lesbar sein, besorgen Sie sich bitte eine neue Anleitung von Ihrem Händler.
- Die in dieser Anleitung verwendeten Einheiten sind SI-Einheiten (Système International d'unités; Internationales Einheitensystem). Zahlenangaben in Klammern sind Referenzwerte, bei denen mitunter geringe Umrechnungsfehler vorliegen können.

Andernfalls kann es zu Unfällen bzw. schweren Verletzungen kommen.

Bestimmungsgemäßer Gebrauch dieses Produkts

- Dieses Produkt ist ein Hochleistungsgerät geringen Gewichts, das sich zur Unkrautbekämpfung sowie zum Rasentrimmen an Stellen eignet, wo andere Methoden unzulänglich sind.
- Verwenden Sie das Gerät nur für den oben angegebenen Zweck.
- Um Weiterentwicklungen des Produkts Rechnung zu tragen, bleiben dem Hersteller Änderungen am Inhalt dieser Anleitung vorbehalten. Einige Abbildungen in dieser Anleitung können vom Produkt abweichen, um Sachverhalte klarer darzustellen.
- Bei Unklarheiten oder Problemen wenden Sie sich bitte an Ihren Händler.

Andernfalls kann es zu Unfällen bzw. schweren Verletzungen kommen.

Keine Veränderungen am Produkt vornehmen

- An dem Produkt dürfen keine Veränderungen vorgenommen werden.

Andernfalls kann es zu Unfällen bzw. schweren Verletzungen kommen. Funktionsfehler, die auf Veränderungen am Produkt zurückzuführen sind, fallen nicht unter die Herstellergarantie.

Produkt nur verwenden, wenn es überprüft und gewartet wurde

- Das Produkt darf nur verwendet werden, wenn es überprüft und gewartet wurde. Die Überprüfung und Wartung des Produkts muss regelmäßig durchgeführt werden.

Andernfalls kann es zu Unfällen bzw. schweren Verletzungen kommen.

Verleihen oder Übereignen des Produkts

- Wenn Sie das Produkt verleihen, muss die ausleihende Person auch die zugehörige Bedienungsanleitung erhalten.
- Wenn Sie das Produkt einer anderen Person übereignen, muss die Bedienungsanleitung zusammen mit dem Produkt ausgehändigt werden.

Andernfalls kann es zu Unfällen bzw. schweren Verletzungen kommen.

Anwender des Produkts

- Das Produkt darf von folgenden Personen nicht gebraucht werden:

- ◆ übermüdete Personen
- ◆ alkoholisierte Personen
- ◆ unter Medikamenteneinfluss stehende Personen
- ◆ schwangere Frauen
- ◆ Personen in schlechter körperlicher Verfassung
- ◆ Personen, die die Bedienungsanleitung nicht gelesen haben
- ◆ Kinder



- Seien Sie sich bewusst, dass der Benutzer für Unfälle bzw. Gefährdungen anderer Personen oder deren Eigentum verantwortlich ist.

Eine Nichtbefolgung dieser Anweisungen kann zu Unfällen führen.

- Die Bauteile dieser Maschine erzeugen im Betrieb ein elektromagnetisches Feld, das manche Herzschrittmacher stören kann. Um Gesundheitsrisiken zu reduzieren, empfehlen wir, dass Personen mit Herzschrittmachern vor dem Betrieb dieses Produkts ihren Arzt und den Hersteller des Herzschrittmachers konsultieren.

Sichere Verwendung des Produkts

WARNUNG

Vibration und Kälte

- Es wird vermutet, dass das Raynaud-Syndrom, das die Finger mancher Menschen befällt, durch stark vibrierende Arbeitsgeräte und Arbeiten bei Kälte herbeigeführt wird. Durch stark vibrierende Arbeitsgeräte und das Arbeiten bei Kälte kann sich ein Prickeln und Brennen bemerkbar machen, dem sich Farblosigkeit und Gefühllosigkeit der Finger anschließen. Die nachstehend aufgeführten Vorsichtsmaßnahmen werden dringend empfohlen, da die Mindestwerte, bei denen diese Krankheit ausgelöst wird, nicht bekannt sind.
 - ◆ Halten Sie Ihren Körper warm, insbesondere Kopf und Nacken, Füße und Fußgelenke sowie Hände und Handgelenke.
 - ◆ Legen Sie häufige Pausen ein, in deren Verlauf Sie den Kreislauf durch intensive Armübungen anregen, und rauchen Sie nicht.
 - ◆ Begrenzen Sie die Dauerbetriebszeiten auf ein Minimum. Teilen Sie jeden Arbeitstag so ein, dass auch Arbeiten ohne Trimmer oder tragbare motorisierte Geräte verrichtet werden.
 - ◆ Wenn Ihre Finger schmerzen, rot und angeschwollen sind und schließlich bleich und gefühllos werden, müssen Sie einen Arzt aufsuchen, bevor Sie sich weiterhin Kälte und Vibrationen aussetzen.
- Eine Nichtbefolgung dieser Anweisung kann zu gesundheitlichen Schäden führen.

RSI-Syndrom

- Es wird angenommen, dass eine Überanstrengung der Muskeln und Sehnen der Finger, Hände, Arme und Schultern in den betreffenden Körperteilen Schmerz, Schwellungen, Gefühllosigkeit, Schwäche und auch akuten Schmerz verursachen kann. Durch bestimmte ständig wiederholte Handbewegungen steigt das Risiko für die Entwicklung eines RSI-Syndroms. Auf folgende Art mindern Sie das Risiko des RSI-Syndroms:
 - ◆ Achten Sie darauf, dass Sie Ihr Handgelenk nicht zu sehr beugen, strecken oder verdrehen.
 - ◆ Legen Sie von Zeit zu Zeit Pausen ein, um wiederholte Bewegungen zu minimieren, und lassen Sie Ihre Hände ruhen. Reduzieren Sie die Geschwindigkeit und den Kraftaufwand, mit denen Sie die Wiederholungsbewegung ausführen.
 - ◆ Führen Sie geeignete Übungen zur Stärkung der Hand- und Armmuskulatur durch.
 - ◆ Suchen Sie einen Arzt auf, wenn Sie ein Prickeln, Gefühllosigkeit oder Schmerzen in Ihren Fingern, Händen, Handgelenken oder Armen bemerken. Je früher das RSI-Syndrom erkannt wird, desto eher lässt sich eine dauerhafte Schädigung von Nerven und Muskeln verhindern.
- Eine Nichtbefolgung dieser Anweisung kann zu gesundheitlichen Schäden führen.

Angemessene Unterweisung

- Das Gerät darf nicht ohne angemessene Unterweisung bzw. ohne Schutzkleidung bedient werden.
 - Machen Sie sich mit der richtigen Handhabung des Geräts und seiner Bedienelemente vertraut.
 - Sie müssen wissen, wie sich das Gerät stoppen und der Motor abstellen lässt.
 - Zudem müssen Sie lernen, wie das Gerät schnell vom Schultergurt getrennt werden kann.
 - Erlauben Sie niemals einer anderen Person, das Gerät ohne vorherige Unterweisung zu benutzen.
- Eine Nichtbefolgung dieser Anweisung kann zu gesundheitlichen Schäden führen.

Geeignete Kleidung tragen.

- Ihr Haar sollte maximal schulterlang sein, ansonsten verwenden Sie ein Haarnetz.
- Tragen Sie keine Krawatten, Schmuckstücke oder lose, weite Kleidungsstücke, die sich im Gerät verfangen könnten.
- Tragen Sie keine Schuhe mit freien Zehen, und arbeiten Sie nicht barfuß oder in kurzen Hosen.

Bei Nichtbeachtung dieser Sicherheitsvorkehrungen sind Ihr Augenlicht und Ihr Gehör gefährdet, und es drohen andere schwere Verletzungen.



Sichere Verwendung des Produkts

WARNUNG

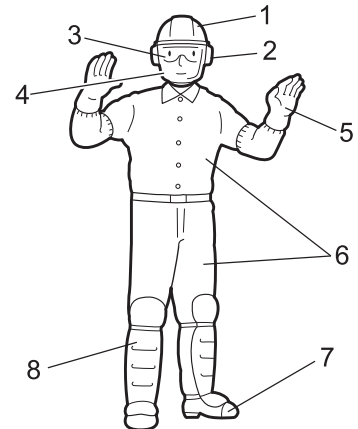
Schutzausrüstung tragen

- Tragen Sie beim Arbeiten mit dem Trimmer immer die folgende Schutzausrüstung:

1. **Kopfschutz (Helm):** schützt den Kopf
2. **Ohrenschützer oder Ohrenstöpsel:** schützen das Gehör
3. **Schutzbrille:** schützt die Augen
4. **Gesichtsschutzschild:** schützt das Gesicht
5. **Sicherheitshandschuhe:** schützen die Hände vor Kälte und Vibration
6. **Eng anliegende Arbeitskleidung (lange Ärmel, lange Hosen):** schützt den Körper
7. **Robuste, rutschfeste Stiefel (mit Schutzkappe) oder rutschfeste Schuhe (mit Schutzkappe):** schützen die Füße
8. **Schienbeinschützer:** schützen die Beine

Bei Nichtbeachtung dieser Sicherheitsvorkehrungen sind Ihr Augenlicht und Ihr Gehör gefährdet, und es drohen andere schwere Verletzungen.

- Falls erforderlich, verwenden Sie auch folgende Schutzausrüstung:
- ◆ **Staubmaske:** schützt das Atmungssystem
 - ◆ **Bienennetz:** schützt vor angreifenden Bienen



Arbeitsumgebung und Bedienung

- Produkt nicht verwenden:

- ◆ an feuchten oder nassen Orten,
- ◆ im Regen,
- ◆ unter schlechten Wetterbedingungen,
- ◆ an steilen Abhängen oder auf rutschigem Untergrund ohne ausreichenden Halt,
- ◆ nachts oder bei schlechten Sichtverhältnissen,
- ◆ bei Blitzrisiko.

- Arbeiten Sie an leichten Hanglagen in horizontalen, bogenartigen Bewegungen.

Wenn Sie fallen oder ausrutschen oder das Produkt nicht mehr voll beherrschen, kann dies zu schweren Verletzungen führen.

- Aus Gesundheits- und Sicherheitsgründen sollten Sie mit dem Gerät nur bei Lufttemperaturen von -5 °C bis 40 °C arbeiten.

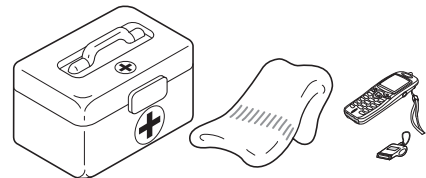
Eine Nichtbefolgung dieser Anweisung kann zu gesundheitlichen Schäden führen.

Vorsorge für den Fall von Verletzungen

- Für den unwahrscheinlichen Fall, dass es dennoch zu Verletzungen kommt, sollten Sie folgende Dinge vorbereitet haben:

- ◆ **Verbandskasten**
- ◆ **Hand- und Wischtücher (um etwaige Blutungen zu stoppen)**
- ◆ **Trillerpfeife oder Mobiltelefon (um Hilfe rufen zu können)**

Wenn Sie weder erste Hilfe leisten noch Hilfe rufen können, kann sich die Verletzung verschlimmern.



Warnhinweise

GEFAHR

Dieses Symbol in Verbindung mit dem Wort „**GEFAHR**“ macht auf Handlungen oder Bedingungen aufmerksam, die zu schweren Verletzungen oder zum Tod von Bediener und umstehenden Personen führen.

WARNUNG


Dieses Symbol in Verbindung mit dem Wort „**WARNUNG**“ macht auf Handlungen oder Bedingungen aufmerksam, die zu schweren Verletzungen oder zum Tod von Bediener und umstehenden Personen führen können.

VORSICHT

„**VORSICHT**“ warnt vor einer Gefahrensituation, in der es zu leichten bis mäßigen Verletzungen kommen kann.

Sichere Verwendung des Produkts















Sonstige Kennzeichnungen

	Kreis mit umgekehrtem Schrägstrich bedeutet, dass das Dargestellte unzulässig ist.
---	--

HINWEIS
Hinweise dieser Art enthalten Tipps zur Verwendung, Pflege und Wartung des Produkts.

WICHTIG
Umrahmter Text mit der Überschrift „ WICHTIG “ enthält wichtige Informationen zur Verwendung, Überprüfung, Wartung und Lagerung des in dieser Anleitung beschriebenen Produkts.

Symbole

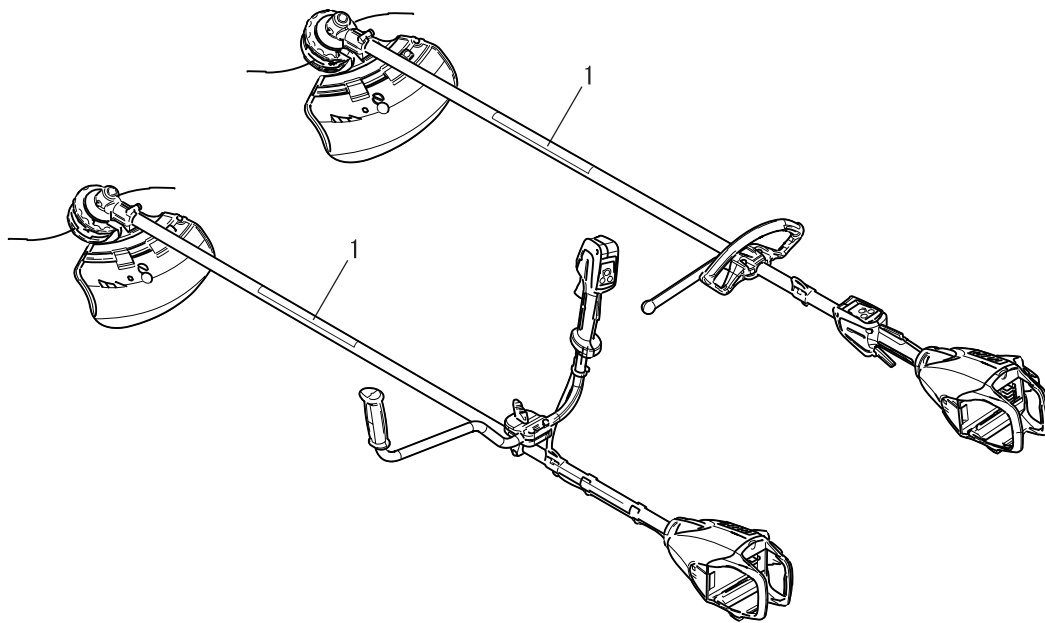
Symbol	Beschreibung des Symbols	Symbol	Beschreibung des Symbols
	Die Bedienungsanleitung sorgfältig lesen		Zur Durchführung von Wartungsarbeiten den Akku entnehmen
	Augen-, Gehör- und Kopfschutz tragen		Passanten auf einen Abstand von 15 m halten
	Achtung, Seitenschub!		Fußschutz und Handschuhe tragen
	Sicherheit / Achtung		Achtung, heiße Bereiche
	Warnung! Gegenstände werden hochgeschleudert!		Garantierter Schalleistungspegel
	Verwendung von Metallmessern verboten		Verwendung von Nylonfadenköpfen verboten
	Achtung, Brandgefahr		Entsorgen Sie elektrische Geräte nicht über den Hausmüll.
IPX4	Vor Spritzwasser geschützt		

Sichere Verwendung des Produkts

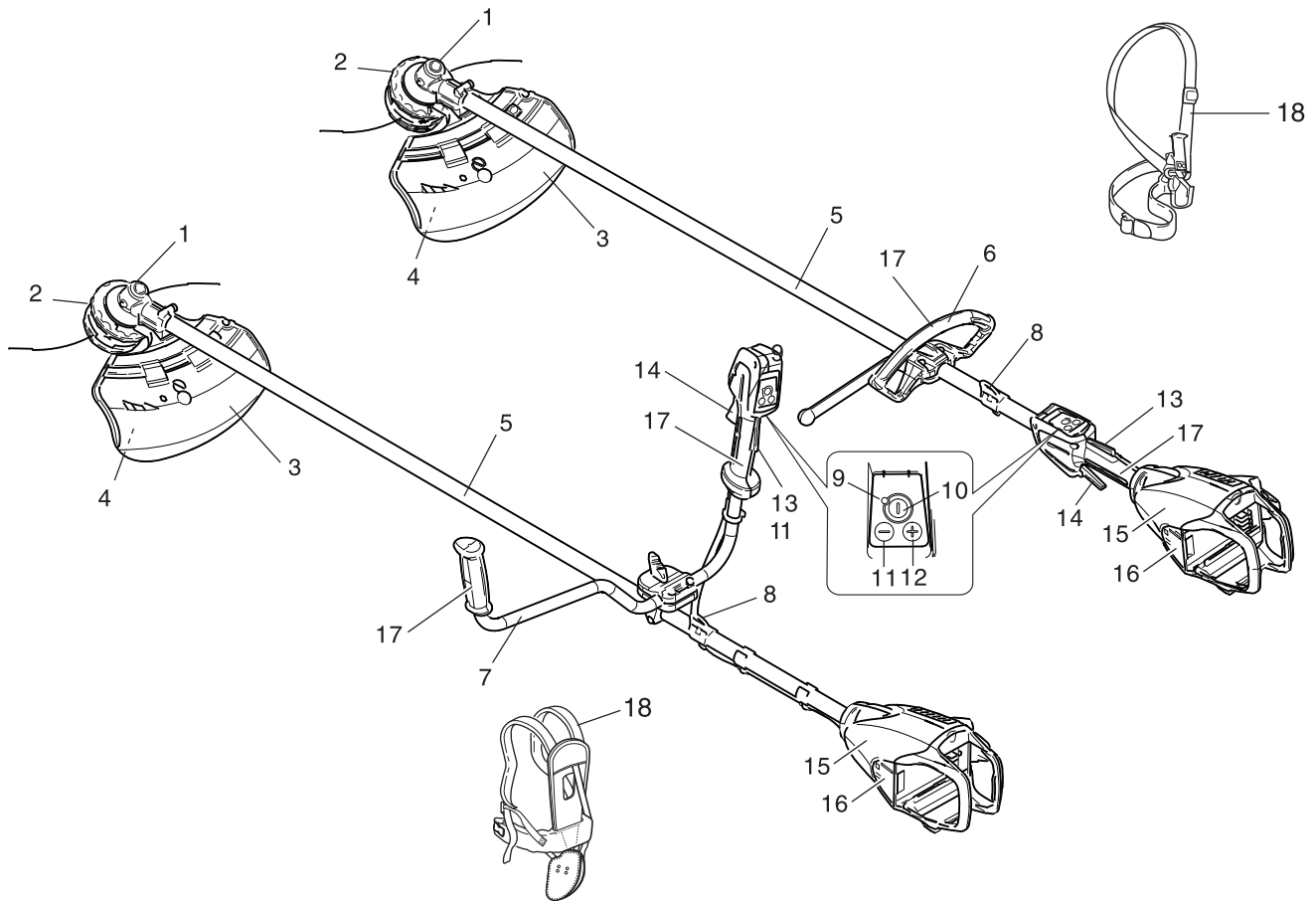
Sicherheitsaufkleber

- Die in dieser Anleitung beschriebenen Produkte sind mit dem unten dargestellten Sicherheitsaufkleber versehen. Machen Sie sich die Bedeutung des Sicherheitsaufklebers bewusst, bevor Sie das Produkt verwenden.
- Falls der Sicherheitsaufkleber aufgrund von Verschleiß oder Beschädigung nicht mehr lesbar ist oder sich abgelöst hat, erwerben Sie bitte einen neuen Sicherheitsaufkleber von Ihrem Händler, und bringen Sie ihn an der nachstehend gezeigten Stelle an. Der Sicherheitsaufkleber muss stets gut lesbar sein.

1. Sicherheitsaufkleber (Teilenummer X505-011600)



Beschreibung

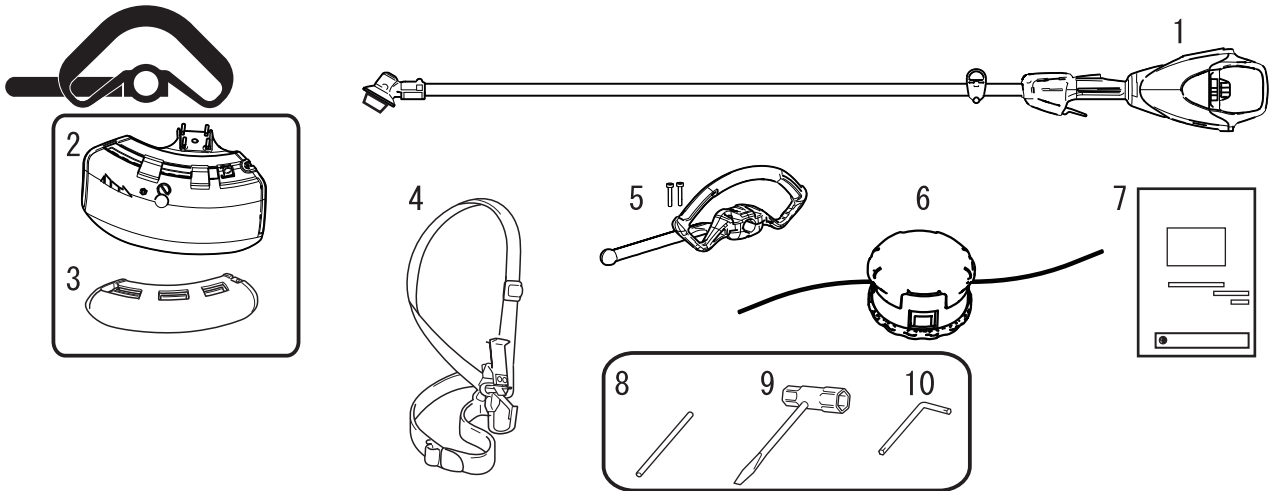


1. **Winkelgetriebe** Zwei Zahnräder ändern den Winkel der Rotationsachse.
2. **Schneidvorrichtung** Nylonfadenkopf zum Schneiden von Gras und Unkraut.
3. **Schutzschild** Schützt den Bediener vor Kontakt mit dem Schneidkopf und weggeschleuderten Objekten.
4. **Fadenschneidmesser** Schneidet den Nylonfaden auf die richtige Länge ab.
5. **Antriebswellenrohr** Geräteteil, das als Gehäuse für die Antriebswelle dient.
6. **Rundgriff** Griff mit geringem Gewicht, für Nylonfadentrimmer geeignet.
7. **U-Griff** Griff in Form eines Fahrradlenkers. Erfordert weniger Kraftaufwand bei der Bedienung als ein Rundgriff.
8. **Trageöse** Vorrichtung, mit der das Gerät am Schultergurt befestigt wird.
9. **Betriebsanzeige-LED** – Leuchtet, wenn das Gerät Strom erhält. Geht aus, wenn die Stromzufuhr zum Gerät unterbrochen wird.
10. **Ein/Aus-Knopf** – Ein Mal drücken, um die Stromzufuhr zu dem Gerät einzuschalten – die Betriebsanzeige-LED leuchtet. Wieder drücken, um die Stromzufuhr zu dem Gerät auszuschalten – die Betriebsanzeige-LED geht aus.
11. **Knopf –**
12. **Knopf +**
13. **Hebelschaltersperre** – Dient zum Arretieren des Hebelschalters in der Aus-Stellung, bis Sie mit der rechten Hand den Griff ganz umgriffen haben.
14. **Hebelschalter** – Schaltet den Motor ein und wird durch den Bediener mit einem Finger betätigt.
15. **Antriebskopf** – Enthält Motor und Akku.
16. **Typ und Seriennummer**
17. **Grifffläche**
18. **Schultergurt** – Einstellbarer Riemen, an dem das Gerät aufgehängt wird.

Bevor Sie beginnen

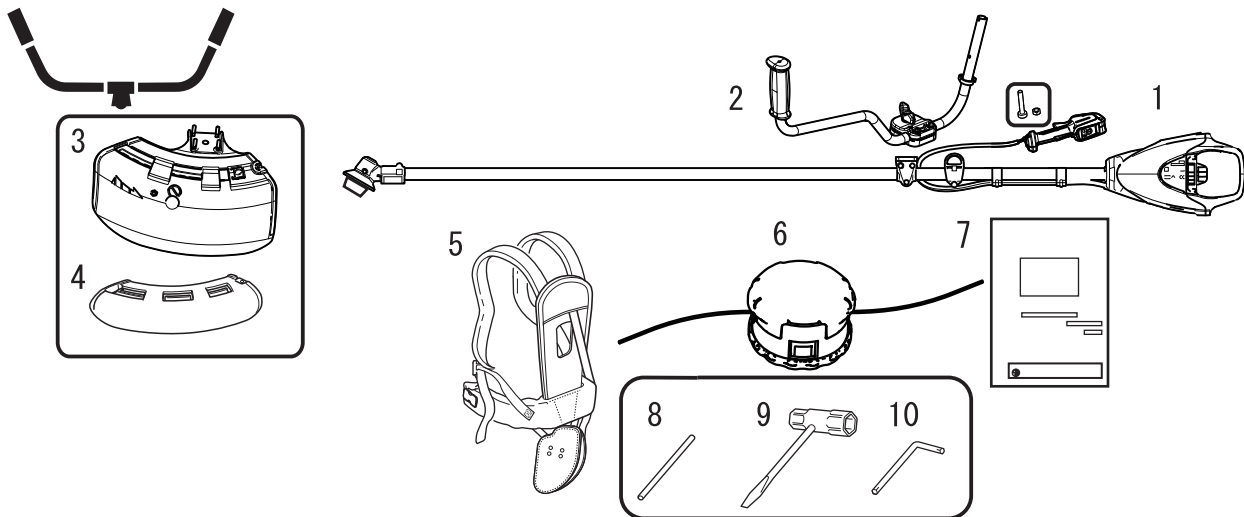
Packliste

- Die nachfolgend aufgeführten Einzelteile sind in der Verpackung enthalten.
- Überprüfen Sie nach dem Auspacken die Vollständigkeit des Inhalts.
- Wenden Sie sich an Ihren Händler, wenn Teile fehlen oder beschädigt sind.



1. Motoreinheit und Antriebswellenrohr
2. Schutzschild (für Nylonfadenkopf)
3. Schutzschild (für Metallmesser)
4. Schultergurt
5. Rundgriff

6. Nylonfadenkopf
7. Bedienungsanleitung
8. Arretierwerkzeug
9. Steckschlüssel
10. L-Schlüssel



1. Motoreinheit und Antriebswellenrohr
2. U-Griff
3. Schutzschild (für Nylonfadenkopf)
4. Schutzschild (für Metallmesser)
5. Schultergurt

6. Nylonfadenkopf
7. Bedienungsanleitung
8. Arretierwerkzeug
9. Steckschlüssel
10. L-Schlüssel

Bevor Sie beginnen

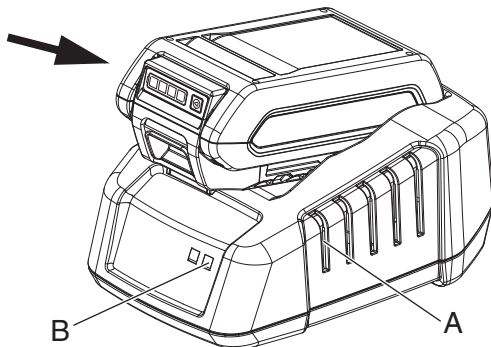
Laden des Akkus

⚠️ WARNUNG

- Verwenden Sie nur den Akku LBP-560-100/LBP-560-200, und laden Sie diesen nur mit dem Ladegerät LCJQ-560 oder LCJU-560.
- Halten Sie Ladegerät und Akku fern von Feuchtigkeit und allen Flüssigkeiten.
- Verwenden Sie das Ladegerät nicht auf leicht brennbaren Materialien (z. B. Papier, Stoff) und nicht in einer Umgebung mit erhöhter Brandgefahr.
- Bedecken Sie das Ladegerät nicht. Ist das Ladegerät bedeckt, kann es nicht kühlen.
- Verwenden Sie das Ladegerät nicht in explosiven Umgebungen, wie in der Gegenwart von entflammenden Flüssigkeiten, Gasen oder Staub. Ladegeräte können Funken verursachen, die Staub oder Rauch entzünden können - es besteht Explosionsgefahr.
- Schließen Sie das Ladegerät nur an das Netz an, wenn Spannung und Frequenz mit den Angaben auf dem Typenschild übereinstimmen.
- Schließen Sie das Ladegerät nur an eine leicht zugängliche Steckdose an.
- Stecken Sie nie Gegenstände in die Kühlschlitze (A) des Akkus oder des Ladegeräts.
- Defekte, beschädigte oder verformte Akkus oder Ladegeräte dürfen nicht geladen oder verwendet werden.
- Der Akku und das Ladegerät dürfen nicht geöffnet, beschädigt oder fallengelassen werden.
- Aus dem Akku kann Flüssigkeit austreten, wenn er beschädigt ist oder nicht ordnungsgemäß verwendet wird. Den Hautkontakt vermeiden. Bei versehentlichem Kontakt die betroffenen Bereiche der Haut mit viel Wasser und Seife abwaschen. Wenn Flüssigkeit in die Augen gerät, die Augen nicht reiben. Spülen Sie die Augen mindestens 15 Minuten lang mit viel Wasser. Suchen Sie auch einen Arzt auf.
- Überbrücken Sie die Kontakte des Akkus oder die Klemmen des Ladegeräts nie mit Metallgegenständen (Kurzschluss).
- Schützen Sie den Akku vor direkter Sonneneinstrahlung, Hitze und offenem Feuer, und werfen Sie ihn nie in ein Feuer, es besteht Explosionsgefahr.
- Falls Rauch oder Flammen aus dem Ladegerät aufsteigen, ziehen Sie sofort den Stecker aus der Steckdose.
- Ist das Verbindungskabel beschädigt, ziehen Sie unverzüglich den Stecker aus der Steckdose, um Stromschläge zu verhindern.
- Setzen Sie den Akku nie Mikrowellen oder hohem Druck aus.
- Sichern Sie das Gerät gegen unbeabsichtigtes Starten. Nehmen Sie zum Transport und zur Lagerung des Geräts den Akku heraus. Verwenden Sie keine Metallcontainer für den Transport von Akkus.
- Verwenden Sie das Verbindungskabel nicht für andere Zwecke, z. B. um das Ladegerät zu tragen oder aufzuhängen.
- Um die Stolpergefahr zu beschränken, bringen Sie das Verbindungskabel so an und markieren Sie es so, dass es nicht beschädigt werden kann und keine Gefahr für andere darstellt.
- Umgreifen Sie beim Herausziehen den Stecker, nicht das Kabel.

HINWEIS

- Der neue Akku wird teilgeladen geliefert und muss vor dem ersten Gebrauch voll geladen werden.
- Laden Sie den Akku, wenn die Leistung nicht mehr für den Betrieb des Geräts ausreicht, oder wenn die Lampen am Akku anzeigen, dass der Akku schwach ist.

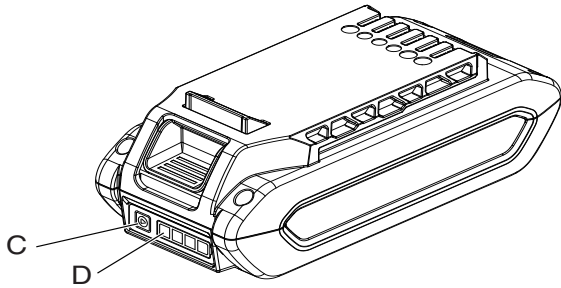


1. Stecken Sie das Wechselstromkabel des Ladegeräts in die Netzsteckdose.
2. Richten Sie die Ränder des Akkus an den Nuten am Ladegerät aus und schieben Sie den Akku in das Ladegerät.
3. Während des normalen Aufladevorgangs blinkt die GRÜNE LED (B) auf dem Ladegerät kontinuierlich.

WICHTIG

- Wenn das Ladegerät ein Problem erkennt, blinkt die LED ROT auf. Entfernen Sie den Akku aus dem Ladegerät, entfernen Sie Schmutz o. ä. von den Kontakten und installieren Sie den Akku wieder im Ladegerät. Wenn der Akku einer Temperatur ausgesetzt ist, die außerhalb des zugelassenen Bereichs (0-60 °C) liegt, bleibt die LED ROT.

Bevor Sie beginnen



4. Nach beendeter Ladung leuchtet die LED konstant grün.
5. Prüfen Sie, ob der Akku vollständig geladen ist, indem Sie den Akku aus dem Ladegerät nehmen, die Akkuladezustand-Taste (C) drücken und die LED-Anzeige beobachten (D).
 - ♦ Ein grünes Licht bedeutet, dass der Akku 0 bis 25 % Ladung hat.
 - ♦ Zwei grüne Lichter bedeuten, dass der Akku 25 bis 50 % Ladung hat.
 - ♦ Drei grüne Lichter bedeuten, dass der Akku 50 bis 75 % Ladung hat.
 - ♦ Vier grüne Lichter bedeuten, dass der Akku 75 bis 100 % Ladung hat.
6. Trennen Sie das Akkuladegerät vom Netz.

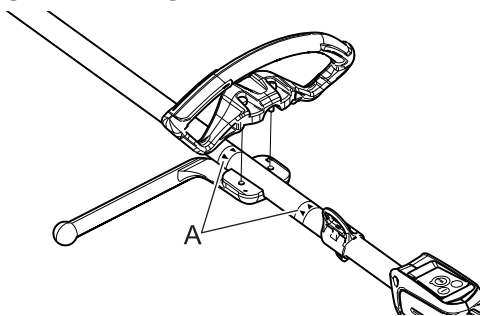
Zusammenbau

⚠ WARNUNG

- Lesen Sie die Bedienungsanleitung aufmerksam durch, um sicherzustellen, dass Sie das Produkt korrekt zusammenbauen. Die Verwendung eines falsch zusammengebauten Produkts kann zu Unfällen bzw. schweren Verletzungen führen.



Rundgriff-Version Befestigung des Rundgriffs

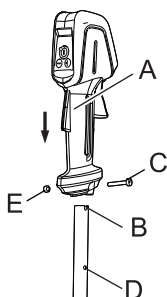


Richten Sie den Griff in eine für das Arbeiten bequeme Position aus, und ziehen Sie die Bolzen fest.

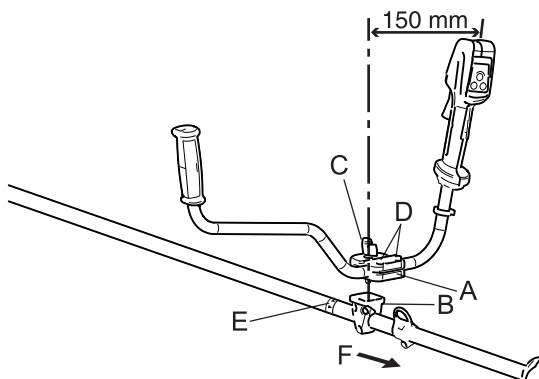
⚠ VORSICHT

- Positionieren Sie den Griff zwischen den Markierungen (A).

U-Griff-Version Montage des U-Griffs



1. Führen Sie das rechte Griffrohr so in den Gasgriff (A), dass der Schlitz (B) als Verdrehsicherung dient.
2. Richten Sie den Gasgriff so, dass der Bolzen (C) durch die Feststellbohrung (D) passt.
3. Ziehen Sie die Schraube und die Mutter (E) an.



1. Setzen Sie den oberen Griffbefestigungsbacken (A) auf den unteren (B), und fixieren Sie den Griff, indem Sie den Griffhaltebolzen (C) leicht anziehen.
2. Stellen Sie die gewünschte Neigung des Griffs ein (so dass er bequem zu bedienen ist), und ziehen Sie dann den Griffhaltebolzen fest.
- * So stellen Sie den Befestigungsbolzen (D) (bei Bedarf) nach
 - (1) Ziehen Sie die Bolzen an, bis sie gut ansitzen.
 - (2) Lösen Sie die Bolzen wieder um $1\frac{1}{2}$ Umdrehungen.

E: Pfeil

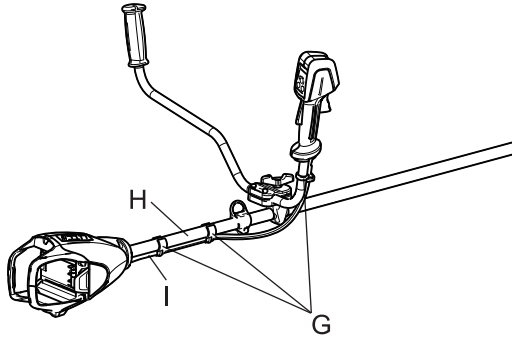
Bevor Sie beginnen

F: zum Antriebskopf

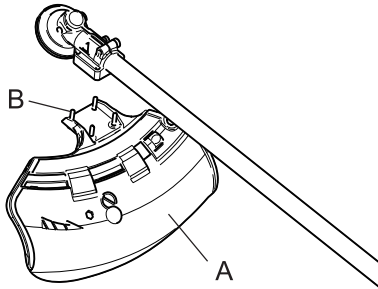
⚠ VORSICHT

○ Orientieren Sie den Griff in Richtung Antriebskopf (der Pfeilmarkierung).

3. Um zu verhindern, dass sich der Zug (I) löst, fixieren Sie ihn mit Klemmen (G) (an 2 Stellen) am Antriebswellenrohr (H) und (an 1 Stelle) am rechten U-Griffrohr.

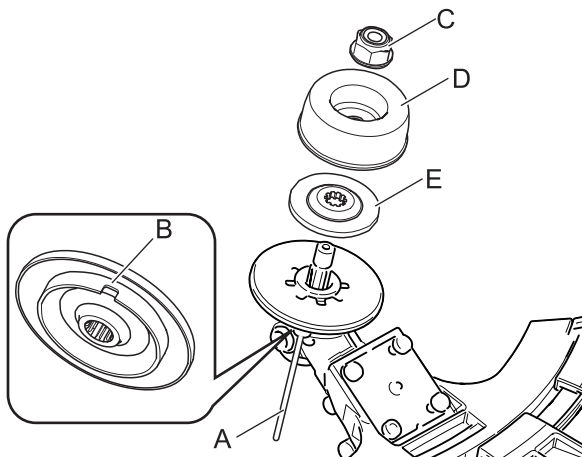


Montage des Schutzschilds

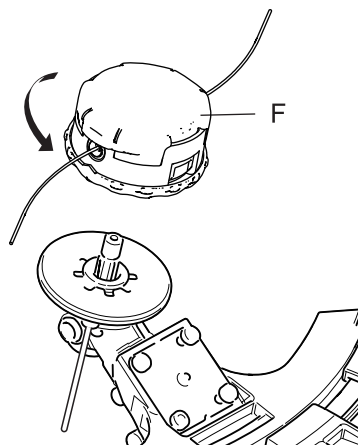


1. Befestigen Sie das Schutzschild (A) am Winkelgetriebe und ziehen Sie die 4 Schrauben (B) fest.

Montage des Nylonfadenkopfs



1. Stecken Sie das Arretierwerkzeug (A) in das Loch auf der rechten Seite des Winkelgetriebes. Drücken Sie dabei die Rückhaltefeder nach links.
 2. Stecken Sie das Arretierwerkzeug in das Arretierungsloch (B) der Fixierplatte, um den Werkzeugaufnahmebolzen zu blockieren.
 3. Bauen Sie die Mutter (C), den Auflageteller (D) und die untere Fixierplatte (E) mit dem Steckschlüssel aus.
- * Mutter, Auflageteller und untere Fixierplatte werden bei einem Nylonfadenkopf nicht verwendet.



⚠ VORSICHT

○ Verhindern Sie mit Hilfe des Arretierwerkzeugs ein Mitdrehen des Werkzeugaufnahmebolzens, bevor Sie den Fadenkopf montieren.

4. Schrauben Sie den Nylonfadenkopf (F) (durch Drehen gegen den Uhrzeigersinn) auf die Welle auf, und ziehen Sie ihn gut fest.
5. Entfernen Sie das Arretierwerkzeug.

Bevor Sie beginnen

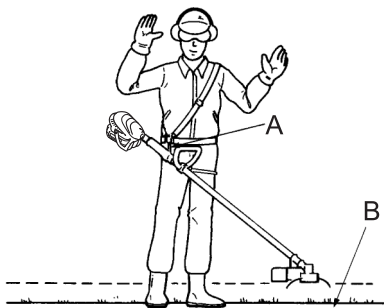
Ausrichten der Balance Einstellen des Schultergurts

⚠️ WARNUNG

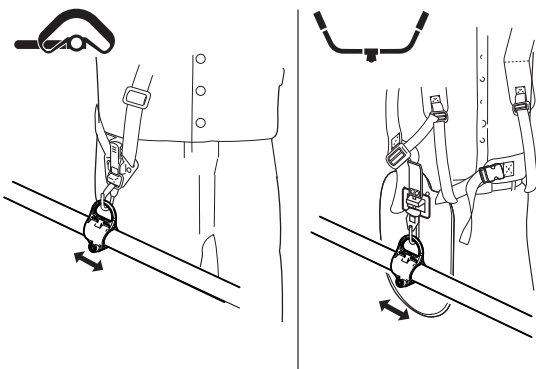
- Dieses Produkt ist für viele verschiedene Körpergrößen ausgelegt, lässt sich aber evtl. nicht für sehr große Personen einstellen. Verwenden Sie das Gerät nicht, wenn Ihre Füße an die Schneidvorrichtung heranreichen, während das Gerät am Schultergurt eingehängt ist.

WICHTIG

- Die Körpergröße einer Person kann sich auf das Gerätegleichgewicht auswirken. Manchen Personen ist u. U. nicht möglich, bestimmte Geräte ins Gleichgewicht zu bringen. Fragen Sie Ihren Händler um Rat, wenn es Ihnen nicht gelingt, den Schultergurt an Ihre Körpermaße anzupassen.



Gerät so ausbalancieren, dass der Schneidkopf parallel zum Boden steht



- ♦ Der mitgelieferte Schultergurt ist für Personen mit einer Größe von 150 bis 195 cm und einem Bauchumfang von 60 bis 140 cm geeignet.
- ♦ Tragen Sie den Schultergurt, wenn dies in dieser Bedienungsanleitung empfohlen oder vorgeschrieben wird. Justieren Sie sowohl den Gurt als auch die Trageöse (A) am Gerät so, dass das Gerät mit der Schneidvorrichtung einige Zentimeter über dem Boden (B) hängt.
- ♦ Die Schneidvorrichtung und der Schutzschild müssen sich absolut waagrecht befinden. Bringen Sie den Tragegurt rechts wie abgebildet an.

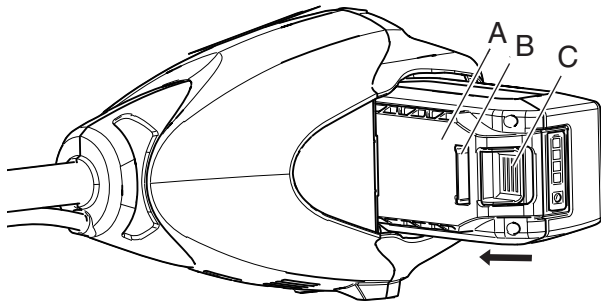
- ♦ Verstellen Sie die Trageöse entlang des Antriebswellenrohrs, um die richtige Balanceposition zu finden. Drehen Sie die Trageöse so, dass Schneidvorrichtung und Schutzschild parallel zum Boden ausgerichtet sind. Arretieren Sie sie in dieser Position. Wenn es sich um eine frei bewegliche Trageöse handelt, kann sich das Gerät leicht zur Seite neigen. Sie müssen aber dennoch die Schneidvorrichtung und den Schutzschild auf einer Achse von vorn nach hinten nivellieren.
- ♦ Beim oben beschriebenen Ausrichten und Nivellieren ist es u. U. erforderlich, die Trageöse anders zu positionieren und die Schultergurte anders einzustellen. Außerdem kann es sein, dass die verschiedenen Schneidvorrichtungen und Schutzschilde am Gerät einzeln ausgerichtet werden müssen.

Batterieinstallation

⚠️ WARNUNG

- Die Vorrichtung arbeitet, wenn der Akku eingesetzt ist, die Betriebsanzeige-LED leuchtet und der Hebelschalter und die Hebelschaltersperre betätigt werden. Achten Sie darauf, dass das Gerät richtig positioniert ist, damit Sie nicht die Kontrolle verlieren – es besteht schwere Verletzungsgefahr. Halten Sie die beweglichen Teile der Schneidvorrichtung fern vom Boden und von Gegenständen, die eingezogen oder weggestoßen werden könnten.
- Nehmen Sie den Akku heraus, bevor Sie das Gerät zurücklassen.

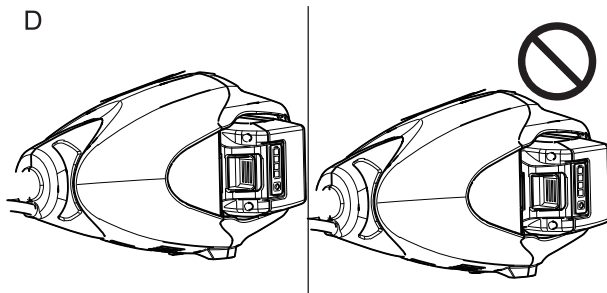
Bevor Sie beginnen



1. Kontrollieren Sie, dass die Stromzufuhr zum Gerät unterbrochen ist.
2. Richten Sie die Ränder (A) des Akkus an den Nuten am Antriebskopf aus. Schieben Sie den Akku in den Antriebskopf.
3. Vergewissern Sie sich vor Betriebsbeginn, dass die Akkuverriegelung (B) einrastet und der Akku fest sitzt.
4. Zum Entnehmen des Akkus drücken Sie auf die Akkuentriegelung (C) und schieben den Akku aus dem Antriebskopf.

HINWEIS

- ♦ Die Akkuverriegelung rastet ein, wenn der Akku ganz eingeschoben ist.



WICHTIG

Bevor Sie das Gerät gebrauchen, kontrollieren Sie, dass der Akku ganz eingeschoben und die Akkuverriegelung eingerastet ist (D).

GEFAHR

- In allen über Kopf befindlichen elektrischen Leitern und Kommunikationskabeln kann elektrischer Strom mit Hochspannung fließen. Dieses Gerät ist nicht stromisoliert. Vermeiden Sie jede direkte oder indirekte Berührung der Kabel, dies könnte sonst zu schweren Verletzungen oder sogar zum Tod führen.

WARNUNG

- Verwenden Sie das Gerät nicht in explosionsfähiger Umgebung, wie in Gegenwart von entflammaren Flüssigkeiten, Gasen oder Staub. Das Gerät erzeugt Funken, die Stäube oder Dämpfe entzünden können.

Befolgen Sie beim Starten des Geräts insbesondere die folgenden Sicherheitsregeln:

- Überprüfen Sie, ob alle Bolzen und Muttern fest angezogen sind.
- An drehenden Teilen des Geräts wurde kein Schraubenschlüssel oder Feststellwerkzeug zurückgelassen.
- Sorgen Sie für ausreichenden Abstand rund um das Produkt, und lassen Sie keine Personen oder Tiere in die Nähe. Eine Nichtbefolgung der Sicherheitsregeln kann zu Unfällen, Verletzungen oder sogar zum Tod führen.

- Achten Sie nach dem Starten des Geräts auf ungewöhnliche Vibrationen oder Geräusche. Verwenden Sie das Produkt nicht, wenn Sie ungewöhnliche Vibrationen oder Geräusche feststellen. Wenden Sie sich an Ihren Händler, um es reparieren zu lassen. Durch abfallende oder absplittende Teile kann es zu schweren Verletzungen kommen.

- Schalten Sie das Gerät immer aus und entfernen Sie den Akku, wenn Sie das Gerät transportieren.

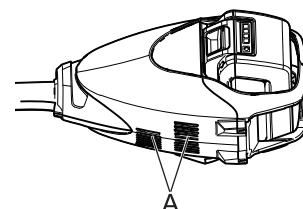
- Winkelgetriebe und andere stark erhitze Teile des Produkts dürfen während des Betriebs und einige Zeit danach nicht berührt werden. Beim Berühren heißer Teile können Sie sich Verbrennungen zuziehen.



- Das Gerät darf während des Betriebs nie überlastet und muss immer im Gleichgewicht betrieben werden. Um in abschüssigem Gelände immer sicher zu treten, laufen Sie nie, sondern gehen Sie immer.
- Das Gerät darf nie mit defekten Schützern oder Schutzschildern, ohne Sicherheitsvorrichtungen oder mit beschädigtem oder verschlissenem Kabel betrieben werden.

WICHTIG

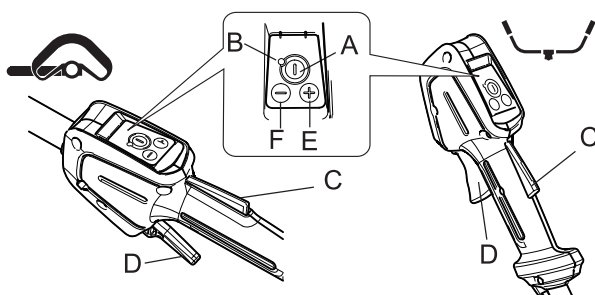
- Halten Sie die Lüftungsschlitze (A) immer sauber.



Starten des Geräts

WARNUNG

- Die Vorrichtung arbeitet, wenn der Akku eingesetzt ist, die Betriebsanzeige-LED leuchtet und der Hebelschalter und die Hebelschaltersperre betätigt werden. Achten Sie darauf, dass das Produkt richtig positioniert ist, damit Sie nicht die Kontrolle verlieren – es besteht schwere Verletzungsgefahr.



1. Sorgen Sie durch Unterlegen eines Balkens oder ähnlichen Hilfsmittels dafür, dass die Schneidvorrichtung nicht den Boden oder ein anderes Hindernis berührt.
2. Drücken Sie den Ein/Aus-Knopf (A) ein Mal, um die Stromzufuhr zu dem Gerät einzuschalten.
 - * Die Betriebsanzeige-LED (B) leuchtet, wenn das Gerät Strom erhält.
3. Halten Sie die Hebelschaltersperre (C) unten, und ziehen Sie den Hebelschalter (D), um die Drehzahl auf Betriebsdrehzahl zu bringen.
4. Für höhere Drehzahl drücken Sie den Knopf + (E).
5. Für niedrigere Drehzahl drücken Sie den Knopf - (E).

6. Es können drei Drehzahlen gehalten werden.
7. Um die aktuelle Drehzahl zu halten, drücken Sie den Knopf (E) eine Sekunde.
8. Um die Drehzahl aufzuheben, drücken Sie den Knopf +.

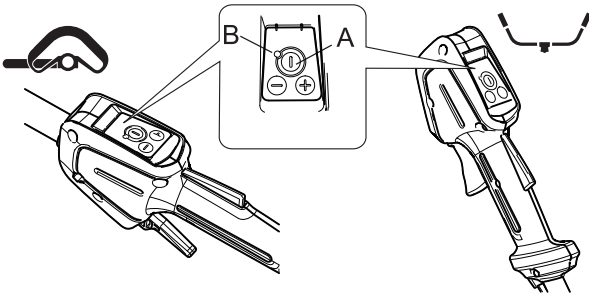
WICHTIG

- Wenn die Stromzufuhr zu dem Gerät eingeschaltet ist:
 - Nach 90 Sekunden Inaktivität schaltet sich das Gerät von selbst aus.
 - Wenn die LED anleuchtet, ist der Betrieb normal.
 - Wenn die LED ein Mal pro Sekunde blinkt, ist der Akku ladebedürftig.
 - Wenn die LED vier Mal pro Sekunde blinkt, liegt in dem Produkt eine Störung vor. Schalten Sie die Stromzufuhr zu dem Gerät aus. Entnehmen Sie den Akku. Räumen Sie den Fadenkopf frei. Setzen Sie den Akku ein. Schalten Sie die Stromzufuhr zu dem Gerät ein. Wenn die LED wieder blinkt, lassen Sie das Produkt von Ihrem autorisierten Kundendiensthändler reparieren.

Stoppen des Geräts

WARNUNG

- Die Schneidvorrichtung muss nach Ausschalten des Geräts für kurze Zeit weiterlaufen.



1. Lassen Sie den Hebelschalter und die Hebelschaltersperre los und den Scherenkopf zum Stillstand kommen.
2. Drücken Sie den Ein/Aus-Knopf (A), um die Stromzufuhr zu dem Gerät auszuschalten.
 - * Die Betriebsanzeige-LED (B) geht aus, wenn die Stromzufuhr zum Gerät unterbrochen wird.
 - * Wenn der Scherenkopf nicht stoppt, wenn Hebelschalter und Hebelschaltersperre gelöst werden, schalten Sie den Ein/Aus-Knopf aus und entfernen Sie den Akku, um das Produkt von der Stromzufuhr zu trennen. Lassen Sie den Ein/Aus-Knopf von Ihrem autorisierten Kundendiensthändler reparieren, bevor Sie das Produkt wieder in Betrieb nehmen.

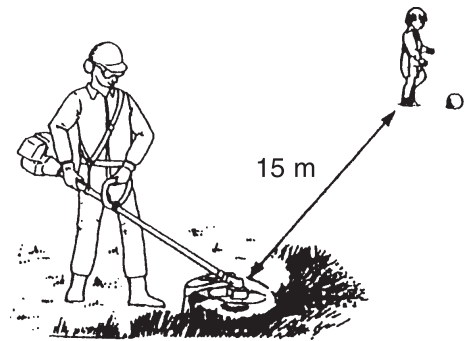
GEFAHR

○ **Stellen Sie das Gerät ab, und entnehmen Sie den Akku, wenn die Schneidvorrichtung blockiert wird.**
Wenn die Blockade beseitigt wird und die Schneidvorrichtung plötzlich anläuft, kann es zu schweren Verletzungen kommen.

○ **Verwenden Sie das Produkt niemals ohne den daran befestigten Schutzschild.**
Von der Schneidvorrichtung abprallende Gegenstände können Unfälle mit schweren Verletzungen verursachen.

○ **Der Bereich in einem Radius von 15 m rund um dieses Produkt gilt als Gefahrenzone. Beachten Sie bei der Arbeit mit diesem Produkt folgende Sicherheitsregeln:**

- ◆ Lassen Sie keine Personen (insbesondere Kinder) oder Tiere in die Gefahrenzone.
- ◆ Sollte eine Person in die Gefahrenzone gelangen, stellen Sie das Gerät ab, so dass sich die Schneidvorrichtung nicht mehr dreht.
- ◆ Wenn Sie sich dem Bediener nähern möchten, signalisieren Sie ihm Ihre Absicht, indem Sie z. B. Zweige von außerhalb der Gefahrenzone werfen, und warten Sie dann, bis der Motor abgestellt wurde und die Schneidvorrichtung stillsteht.
- ◆ Wenn mehrere Personen mit dem Produkt arbeiten, vereinbaren Sie eine Art der gegenseitigen Kommunikation, und arbeiten Sie mit mindestens 15 m Abstand voneinander.



Von der Schneidvorrichtung abprallende Gegenstände und Kontakt mit der Schneidvorrichtung können zu Blindheit oder tödlichen Unfällen führen.

WARNUNG

○ **Bevor Sie mit der Arbeit beginnen, überprüfen Sie den Bereich, in dem Sie arbeiten möchten, und entfernen Sie kleine Steine und leere Dosen, die durch die Schneidvorrichtung weggeschleudert werden könnten, sowie Schnüre oder Drähte, die sich um die Schneidvorrichtung wickeln könnten.**

Wenn Fremdkörper durch die Schneidvorrichtung weggeschleudert werden oder sich Drähte oder andere Materialien um die Schneidvorrichtung wickeln, kann dies zu Unfällen bzw. schweren Verletzungen führen.



○ **Stellen Sie das Gerät in nachfolgend genannten Situationen sofort ab, und vergewissern Sie sich, dass sich die Schneidvorrichtung nicht mehr dreht. Überprüfen Sie dann die einzelnen Bereiche des Produkts. Ersetzen Sie beschädigte Teile durch neue.**

- ◆ Die Schneidvorrichtung trifft beim Arbeiten auf einen Stein, Baum, Pfosten oder ein anderes Hindernis.
- ◆ Das Produkt beginnt plötzlich, ungewöhnlich zu vibrieren.

Wenn beschädigte Teile weiter verwendet werden, kann dies zu Unfällen bzw. schweren Verletzungen führen.

○ **Halten Sie die Schneidvorrichtung während des Arbeitens nicht nach oben. Die Schneidvorrichtung darf nicht über Kniehöhe angehoben werden.**

Durch Anheben der Schneidvorrichtung über Kniehöhe würden Sie die Rotationsebene näher ans Gesicht bringen, und Gegenstände, die von der Schneidvorrichtung weggeschleudert werden, könnten Unfälle bzw. schwere Verletzungen verursachen.

Transport des Produkts

○ **Schalten Sie das Gerät zum Transport in den unten beschriebenen Situationen aus, vergewissern Sie sich, dass das Trimmermesser ausgelaufen ist und stillsteht, und bringen Sie die Trimmermesserabdeckung an.**

- ◆ Sie suchen Ihren Arbeitsbereich auf.
- ◆ Sie wechseln im Verlauf der Arbeit den Arbeitsbereich.
- ◆ Sie verlassen Ihren bisherigen Arbeitsbereich.

○ **Zum Transport des Produkts in Kraftfahrzeugen entnehmen Sie den Akku aus dem Gerät, bringen Sie die Messerabdeckung an, und sichern Sie das Produkt so, dass es nicht verrutschen kann.**

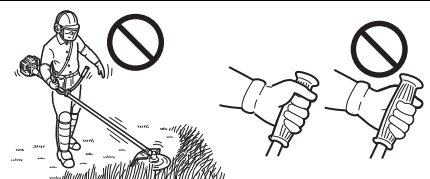
Bei Nichtbeachtung dieser Sicherheitsregeln können Verbrennungen oder andere schwere Verletzungen die Folge sein.

○ **Versuchen Sie nie, das Produkt mit nur einer Hand zu bedienen.**

○ **Halten Sie die Griffe immer so, dass sie von Daumen und übrigen Fingern fest umschlossen sind.**

○ **Halten Sie die Handgriffe und Griffflächen trocken, sauber und frei von Öl und Fett.**

Rutschige Griffe und Griffflächen erschweren die Handhabung des Geräts und erschweren es in unerwarteten Situationen, das Gerät unter Kontrolle zu halten.



Trimmen

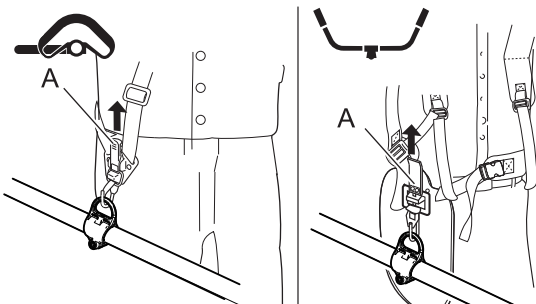
HINWEIS

- Wenn der erste Einsatz dieses Produkt nach dem Kauf bei niedrigen Temperaturen erfolgt, kann in seltenen Fällen der Betrieb stockend sein. Dieses Phänomen ist kein Produktmangel. Lassen Sie das Gerät in dem Fall Raumtemperatur (normale Temperatur) annehmen, und schalten Sie das Gerät vor dem Einsatz mehrmals ein und aus.

Verwendung des Schultergurts

⚠ WARNUNG

- Es sollten nicht mehrere Körper- und Schultergurte zusammen getragen werden.
- Kleidung oder andere am Körper getragene Gegenstände dürfen nicht beim Ausklinken und Ablegen des Gurts hinderlich sein.
Andernfalls kann es zu Unfällen bzw. schweren Verletzungen kommen.



Hängen Sie den Trimmer immer ordnungsgemäß am Schultergurt auf.

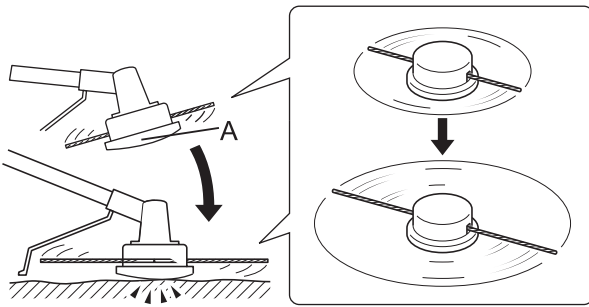
- ◆ Schnallen Sie den Taillengurt fest. Der Gurt muss eng anliegen.
- ◆ Befestigen Sie das Gerät am Schultergurt.
- ◆ Rundgriff-Version
Legen Sie den Schultergurt über die linke Schulter, und stellen Sie die Riemen so ein, dass sich die Schnelllöseeinrichtung knapp unterhalb der Hüfte befindet.
- ◆ U-Griff-Version
Legen Sie die Schultergurte über beide Schultern, und stellen Sie sie so ein, dass der Verschluss sitzt, wie in der Abbildung gezeigt.
- ◆ Überprüfen Sie die richtige Einstellung, indem Sie das Gerät über den Boden führen.
- ◆ Stellen Sie die Position der Trageöse ggf. nach.
- ◆ Der Schultergurt ist mit einer Schnelllöseeinrichtung für Notfälle ausgestattet.
 - ◆ Ziehen Sie bei Bränden oder in anderen Notfällen die Notschleife (A) nach oben, um das Produkt von Ihrem Körper zu lösen.

Einfaches Trimmen mit dem Nylonfadenkopf

⚠ WARNUNG

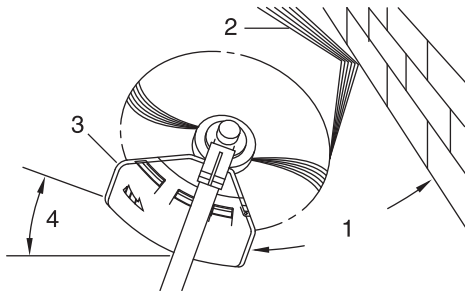
- Bei falscher Verwendung der Schneidvorrichtung drohen schwere Verletzungen. Lesen und befolgen Sie alle Sicherheitsanweisungen in dieser Bedienungsanleitung.
- Arbeiten Sie nie mit einer beschädigten Schneidvorrichtung.
- Verwenden Sie nur von der YAMABIKO Corporation empfohlene Schneidvorrichtungen.
- Nylonfäden, die über das Fadenschneidmesser hinausragen, könnten weggeschleudert werden, wenn sich der Fadenkopf nach der Anpassung der Nylonfadenlänge zu drehen beginnt.
Andernfalls kann es zu Unfällen bzw. schweren Verletzungen kommen.

Einstellen der Nylonfadenlänge



- Das am Schutzschild montierte Fadenschneidmesser begrenzt die Schnittbreite automatisch, indem es die Nylonfäden auf die gleiche Länge abschneidet, nachdem der Fadenkopf zu rotieren beginnt.
- Wenn Sie mit einer geringeren Schnittbreite (weniger als max. Länge) arbeiten möchten, schneiden Sie die beiden Nylonfäden in gleicher Länge ab.
- Um zusätzlichen Faden nachzuführen, tippen Sie den Nylonfaden-Schneidkopf (A) auf den Boden auf, während sich der Kopf mit normaler Betriebsgeschwindigkeit dreht.

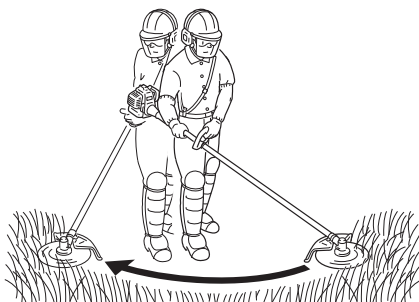
Trimmen



- Hierbei wird der Trimmer vorsichtig an das zu schneidende Material herangeführt. Stellen Sie den Fadenkopf etwas schräg, damit das Schneidgut von Ihnen weggeleitet wird. Arbeiten Sie sich beim Schneiden in Richtung eines Hindernisses (z. B. Zaun, Mauer oder Baum) in einem Winkel vor, bei dem sichergestellt ist, dass vom Hindernis abfallendes Schneidgut von Ihnen weggeleitet wird.
- Bewegen Sie den Nylonfadenkopf langsam, bis das Gras bis zum Hindernis abgemäht ist, dabei aber der Faden das Hindernis nicht berührt. Wenn Sie Trimmarbeiten entlang eines Maschendraht- oder Kettengliedzauns durchführen, so achten Sie darauf, dass Sie das Gerät nur bis zum Zaundraht führen. Ansonsten kann der Faden beim Auftreffen auf den Zaundraht reißen.
- Beim Trimmen können Unkrauthalme nacheinander durchgeschnitten werden. Setzen Sie den Nylonfadenkopf immer am unteren Bereich der Pflanze an, da sich die Pflanze sonst evtl. nur beugt und wieder aufrichtet und sich im Nylonfaden verfangen könnte. Anstatt das Unkraut sofort durchzuschneiden, führen Sie das Ende des Nylonfadens allmählich durch den Unkrauthalm.

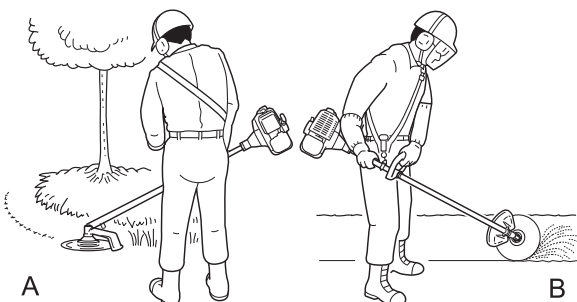
1. Winkel zur Wand
2. Schneidgut
3. Schräg gestellte Schneidvorrichtung
4. Winkel zum Boden

Mähen



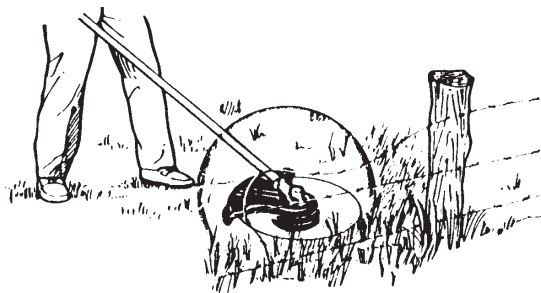
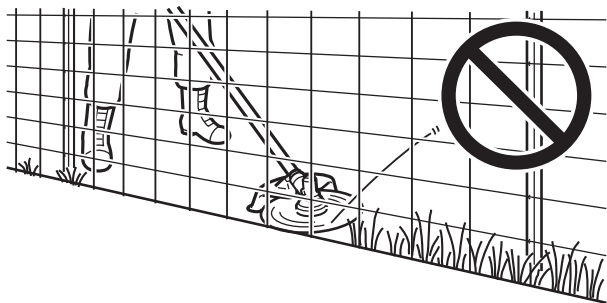
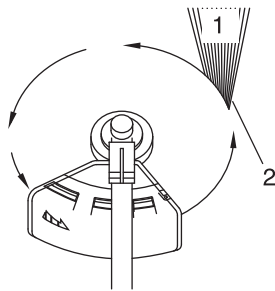
- Hierbei werden große Grasflächen durch Schwingen des Trimmers in einem horizontalen Bogen gemäht. Arbeiten Sie in gleichmäßigen, ruhigen Bewegungen. Versuchen Sie nicht, das Gras durch Hackbewegungen zu schneiden. Kippen Sie den Nylonfadenkopf so, dass das gemähte Gras von Ihnen weg auf die bereits gemähte Fläche geworfen wird. Dann – ohne Gras zu schneiden – das Gerät zurückführen, um den nächsten Bogen auszuführen. Wenn Sie gut geschützt sind und es Ihnen nichts ausmacht, wenn Schneidgut auf Sie zugeschleudert wird, können Sie in beide Richtungen mähen.

Skalpieren und Kantenschneiden



- Beides wird durchgeführt, indem der Nylonfadenkopf steil gekippt wird. Beim Skalpieren (A) wird die Vegetation so weit geschnitten, dass nur der kahle Boden zurückbleibt. Beim Kantenschneiden (B) wird das Gras an Stellen zurückgetrimmt, an denen es über einen Fußgängerweg oder eine Zufahrt gewachsen ist. Sowohl beim Kantenschneiden als auch beim Skalpieren ist das Gerät in einem steilen Winkel so zu halten, dass das Schneidgut sowie sich aus dem Boden lösende Steine und Schmutz nicht auf Sie zugeschleudert werden.
- Wenngleich das Kantenschneiden und Skalpieren hier in einer bestimmten Weise abgebildet sind, muss jeder Bediener für

Trimmen



sich selbst gemäß seiner Körpergröße den Winkel herausfinden, in dem er besten arbeiten kann.

- ♦ Bei fast allen Schneidarbeiten empfiehlt es sich, den Nylonfadenkopf so schräg zu stellen, dass der Kontakt in dem Teil des Schneidkreises erfolgt, wo der Nylonfaden sich von Ihnen und dem Schutzschild wegbewegt (siehe Abbildung). Dadurch wird das Schneidgut von Ihnen weggeleitet.
- ♦ Wenn Sie den Fadenkopf zur falschen Seite neigen, wird das Schneidgut auf Sie zugeschleudert. Wenn der Nylonfadenkopf flach gegen den Boden gehalten wird, so dass der Schneidvorgang über den gesamten Schneidkreis erfolgt, wird das Schneidgut auf Sie zugeschleudert, das Gerät durch den Widerstand verlangsamt, und es wird sehr viel mehr Nylonfaden verbraucht.
- ♦ Nylonfadenkopf dreht sich gegen den Uhrzeigersinn. Das Fadenschneidmesser befindet sich links am Schutzschild.

1. Schneidgut

2. Auf dieser Seite schneiden

- ♦ Lassen Sie den Nylonfadenkopf nicht in zähes Unkraut, Bäume oder Zäune eindringen.
- ♦ Wenn der Nylonfaden in Maschendraht, Zäune oder dichtes Gestrüpp eindringt, kann es passieren, dass abgerissene Fadenstücke gegen den Bediener geschleudert werden. Am besten arbeiten Sie sich so weit wie möglich an das jeweilige Hindernis heran, ohne den Nylonfaden in das Hindernis vordringen zu lassen. Schneiden Sie nicht direkt an einem Hindernis.

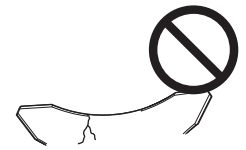
- ♦ Achten Sie darauf, dass der Nylonfaden nicht mit beschädigtem Zaundraht in Berührung kommt. Durch den Trimmer abgebrochene Drahtstücke können mit hoher Geschwindigkeit durch die Luft geschleudert werden.

Einfaches Trimmen mit Metallmesser

⚠️ WARNUNG

○ Befolgen Sie beim Trimmen die folgenden Anweisungen:

- ◆ Vergewissern Sie sich, dass die Befestigungsmutter des Messers fest angezogen ist.
- ◆ Wenn der Schutzschild beschädigt oder gerissen ist, ersetzen Sie ihn durch einen neuen.
- ◆ Ersetzen Sie die Befestigungsmutter des Trimmermessers, wenn sie Verschleißspuren aufweist.
- ◆ Lassen Sie das Messer nicht den Erdboden berühren.
- ◆ Arbeiten Sie nicht mit einem stumpfen, verbogenen, gebrochenen oder verfärbten Messer und nicht mit einer verschlissenen oder beschädigten Befestigungsmutter.



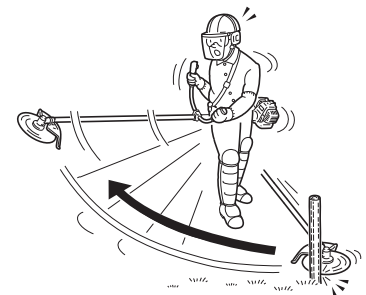
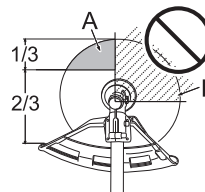
Andernfalls kann es zu Unfällen bzw. schweren Verletzungen kommen.

- Verwenden Sie nur von der YAMABIKO Corporation empfohlene Schneidvorrichtungen. YAMABIKO übernimmt keine Verantwortung für das Versagen von Schneidvorrichtungen, Ersatz- oder Zubehörteilen, die nicht von YAMABIKO geprüft und zugelassen wurden und die für die Verwendung mit diesem Gerät nicht geeignet sind.
- Das Messer muss dem zu schneidenden Material entsprechen. Ein falsches oder stumpfes Messer kann zu Verletzungen führen. Messer müssen scharf sein. Stumpfe Messer erhöhen die Gefahr eines Rückschlags und die Verletzungsgefahr für sich selbst und andere Personen.
 - ◆ Plastik-/Nylonmesser für Gras und Unkraut können da eingesetzt werden, wo der Nylonfadenkopf zum Einsatz kommt. Diese Messer nicht für Buschwerk oder dichtes Unkraut verwenden.
 - ◆ Das 3-Zahn-Messer ist speziell zum Schneiden von Unkraut und Gras vorgesehen. Verwenden Sie das 3-Zahn-Messer nicht zum Schneiden von Gestrüpp oder Bäumen, um Verletzungen aufgrund von Rückschlag oder Klingenbruch zu vermeiden.
 - ◆ Das 8-Zahn-Messer ist zum Schneiden von Gras, Gartenabfällen und Unkraut vorgesehen. Verwenden Sie dieses Messer nicht für Buschwerk oder starke holzhaltige Vegetation mit einem Durchmesser von 19 mm oder mehr.
 - ◆ Das 22-Zahn-Messer ist für dichtes Strauchwerk und Trieblinge bis zu einem Durchmesser von 64 mm vorgesehen.
 - ◆ Das 80-Zahn-Messer ist für das Schneiden von Gestrüpp und holzhaltiger Vegetation von bis zu 13 mm Durchmesser vorgesehen.

Beschädigte oder gebrochene Messer können Unfälle bzw. schwere Verletzungen verursachen.

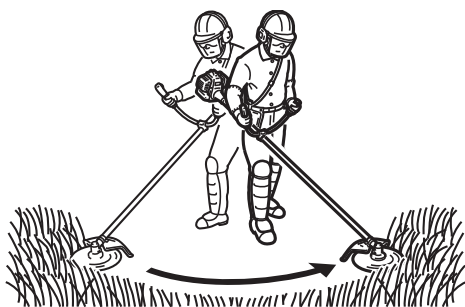
Rückschlag

- Wenn das Trimmermesser bei hoher Drehzahl auf einen Baum, Pfosten, Stein oder einen anderen Gegenstand trifft, prallt es urplötzlich heftig zurück. Dieses Phänomen wird als Rückschlag bezeichnet.
- Ein solcher Rückschlag kann bewirken, dass der Bediener die Kontrolle über das Produkt verliert, und ist deshalb höchst gefährlich.
- Insbesondere, wenn das vordere rechte Viertel des Trimmermessers (B) auf einen Busch oder ein anderes Objekt trifft, wird das Produkt heftig nach rechts zurückgeschleudert.
- Um solche Rückschläge zu vermeiden, sollten Sie niemals von links nach rechts trimmen. Achten Sie stets darauf, dass das Trimmermesser nicht auf harte Gegenstände trifft.
- Achten Sie beim Trimmen darauf, dass das zu beschneidende Objekt vom vorderen Drittel der linken Seite des Messers erfasst wird (A).



Andernfalls kann es zu Unfällen bzw. tödlichen Verletzungen kommen.

Unkraut mähen



- ◆ Beim Mähen wird die Schneidvorrichtung in einem horizontalen Bogen geschwungen. Dadurch lassen sich große Bereiche rasch von Gras und Unkraut befreien. Die Sensenmethode eignet sich jedoch nicht zum Mähen von hohem, zähem Unkraut oder holzhaltiger Vegetation.
- ◆ Wenn sich in der Schneidvorrichtung ein Schößling oder eine Staude verfängt, darf die Schneidvorrichtung nicht als Hebel benutzt werden, um die Pflanze zu entfernen, da sie dadurch beschädigt werden würde.
- ◆ Stellen Sie stattdessen das Gerät ab, und entfernen Sie, nachdem das Messer zum Stillstand gekommen ist, den Schößling bzw. die Staude vom Messer.

Wartung und Pflege

⚠️ WARNUNG

Beachten Sie die folgenden Sicherheitsregeln, wenn Sie das Produkt nach dem Gebrauch überprüfen und warten:

- Schalten Sie das Gerät aus, entfernen Sie den Akku und vergewissern Sie sich, dass alle beweglichen Teile zu einem kompletten Stillstand gekommen sind.

Es besteht Unfallgefahr, wenn das Produkt unerwartet in Bewegung geht.

- Lassen Sie das Gerät abkühlen, bevor Sie Wartungsarbeiten durchführen.

Andernfalls können Sie sich verbrennen.

- Versuchen Sie nicht, schadhafte Akkus instandzusetzen. Die Instandsetzung von Akkus soll nur durch den Hersteller oder hierfür autorisierte Betriebe erfolgen.

WICHTIG

- Für die Überprüfung und Wartung sind entsprechende Fachkenntnisse erforderlich. Wenn Sie das Produkt nicht selbst überprüfen, warten oder instand setzen können, wenden Sie sich an Ihren Händler. Versuchen Sie nicht, das Produkt zu zerlegen.

Wartungsrichtlinien

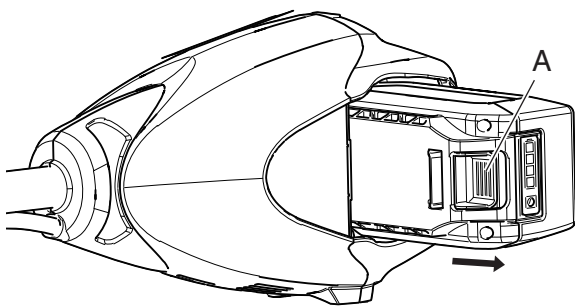
Komponente	Wartung	Seite	Vor der Verwendung	Monatlich
Akku	Untersuchen / Reinigen / Laden	10	•	
Winkelgetriebe	Schmieren	23		•*
Fadenschneidmesser	Überprüfen / Reinigen	-	•	
Schrauben, Bolzen und Muttern	Überprüfen, festziehen / ersetzen	-	•	

* oder nach 50 Betriebsstunden (jeweils früherer Zeitpunkt gilt).

Wartung und Pflege

Wenden Sie sich bei Fragen oder Problemen bitte an Ihren Händler.

Reinigen von Akku und Akkufach

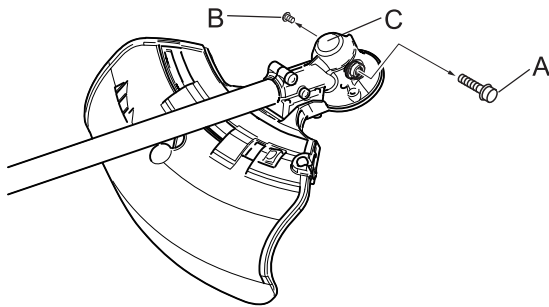


⚠️ WARNUNG

- **Stromschlag- und Brandgefahr. Verwenden Sie zum Reinigen des Akkus und des Akkufachs keine leitenden Materialien.**

1. Lassen Sie den Hebelschalter und die Hebelschaltersperre los und den Scherenkopf zum Stillstand kommen.
2. Kontrollieren Sie, dass die Betriebsanzeige-LED aus ist.
3. Drücken Sie auf die Akkuentriegelung (A), und schieben den Akku aus dem Antriebskopf.
4. Entfernen Sie Schmutz von Akku und Akkufach mit Druckluft oder einer weichen Bürste.

Winkelgetriebe



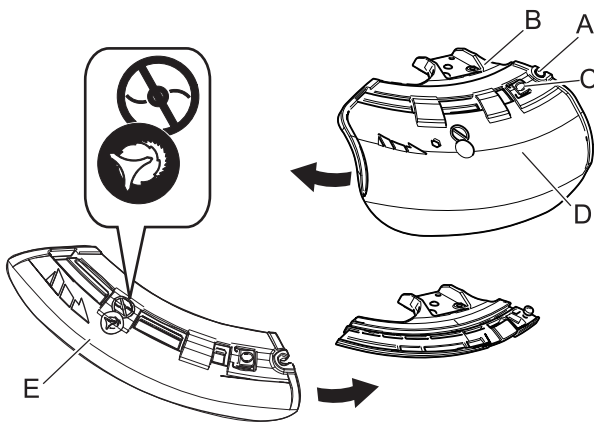
1. Bauen Sie den Stopfen (A) und die Ablassschraube (B) aus dem Winkelgetriebe (C).
2. Füllen Sie das Getriebe mit so viel neuem Schmierfett, bis das alte Schmierfett herausgedrückt wird. Verwenden Sie bei Bedarf eine Niederdruckpumpe.

HINWEIS

- Verwenden Sie ein hochwertiges Lithium-Mehrzweckfett.

3. Bauen Sie die Ablassschraube und den Stopfen wieder ein.

Wechseln des Schutzschildes



- ♦ Es gibt zwei unterschiedliche Schutzschilder: der eine Schutzschild wird ausschließlich zur Verwendung des Nylonfadenkopfes, der andere ausschließlich zur Verwendung von Metallmessern angebracht. Wenn Sie mit Metallmessern arbeiten, verwenden Sie den Schutzschild für Metallmesser.

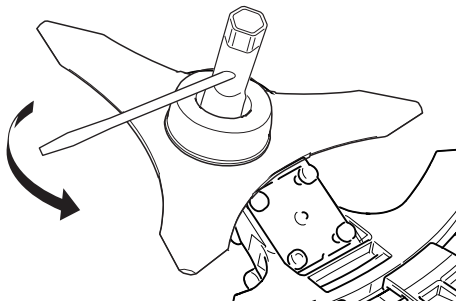
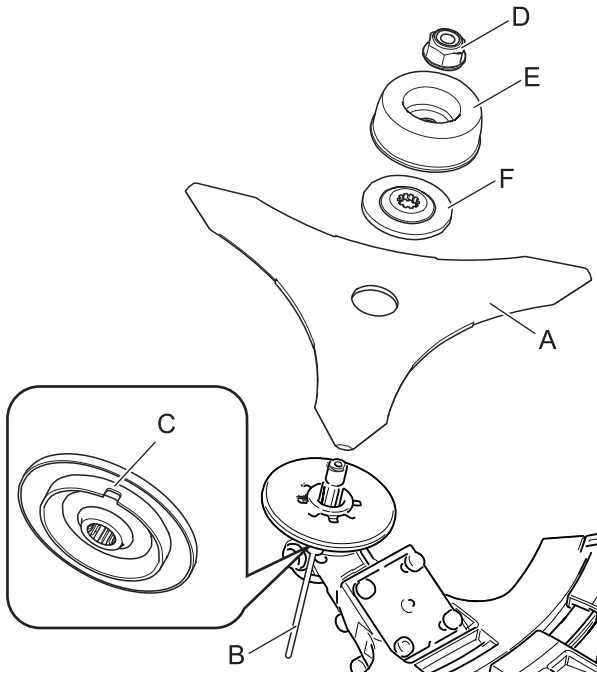
1. Lösen Sie die Schraube (A) auf der rechten Seite der Halterung (B) komplett, um das Schutzschild verschieben zu können. Die Schraube selbst kann nicht von der Halterung entfernt werden.
2. Drücken Sie die Taste (C), schieben Sie das Schutzschild (D) nach links und nehmen es ab.
3. Ein anderes Schutzschild (E) in die Nut einführen und bis zum Anschlag nach rechts schieben. Die Schraube unbedingt festziehen.

Montage des Messers (option)

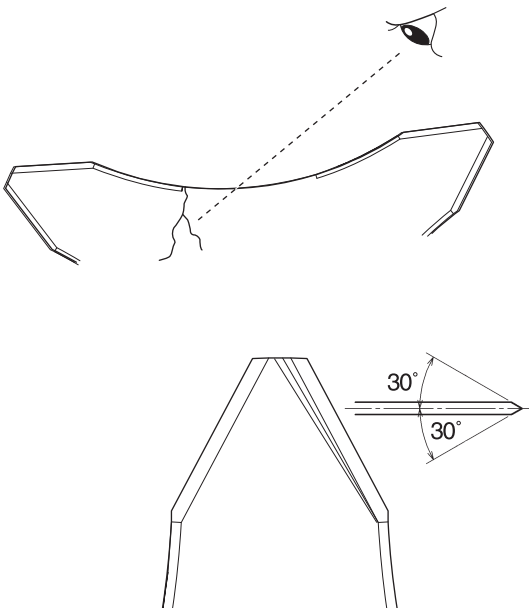
⚠ WARNUNG

- Tragen Sie beim Arbeiten mit dem Trimmermesser robuste Handschuhe.
- Wenn während eines Trimmereinsatzes ein Trimmermesser ausgetauscht werden muss, vergewissern Sie sich, dass das Gerät zuvor ausgeschaltet wurde und das Messer zum Stillstand gekommen ist.
- Versuchen Sie nicht, das Trimmermesser mit einer Hand oder ohne Verwendung des Steckschlüssels zu montieren. Befestigen Sie das Trimmermesser ordnungsgemäß mit dem mitgelieferten Steckschlüssel, und ziehen Sie es in der richtigen Position fest.
- Verwenden Sie zum Festziehen der Schneidmesser ausschließlich den vorgeschriebenen Steckschlüssel. Die Verwendung eines Druckluft- oder elektrisch betriebenen Geräts könnte dazu führen, dass das Schneidmesser übermäßig fest angezogen wird und dass die Mutter oder der Werkzeugaufnahmebolzen brechen.
- Bei Verwendung von verschlissenen Muttern und Auflagetellern zur Befestigung des Messers besteht die Gefahr, dass sich das Messer lockert. Ersetzen Sie diese Teile durch neue. Andernfalls kann es zu Verletzungen bzw. schweren Unfällen kommen.

Wartung und Pflege



Überprüfen des Messers



1. Kontrollieren Sie die Messer (A) vor der Montage. Überprüfen Sie die Schärfe. Bei stumpfen Messern erhöht sich das Risiko eines Rückschlags. Kleine Risse können sich zu Brüchen entwickeln, so dass Teile des Messers während des Betriebs weggeschleudert werden. Entsorgen Sie gerissene Messer, egal, wie klein der Riss ist.
2. Stecken Sie das Arretierwerkzeug (B) in das Loch auf der rechten Seite des Winkelgetriebes. Drücken Sie dabei die Rückhaltefeder nach links.
3. Stecken Sie das Arretierwerkzeug in das Arretierungsloch (C) der Fixierplatte, um den Werkzeugaufnahmebolzen zu blockieren.
4. Bauen Sie die Mutter (D), den Auflageteller (E) und die untere Fixierplatte (F) mit dem Steckschlüssel aus.
5. Ziehen Sie das Messer, die untere Fixierplatte, den Auflageteller und die Mutter sicher von Hand fest.

⚠ VORSICHT

○ Verhindern Sie mit Hilfe des Arretierwerkzeugs ein **Mitdrehen des Werkzeugaufnahmebolzens, bevor Sie das Messer montieren. Andernfalls kann die Mutter zur Befestigung des Messers nicht ausreichend festgezogen werden.**

6. Ziehen Sie die Mutter mit einem Steckschlüssel fest (gegen den Uhrzeigersinn). Niemals mit voller Kraft anziehen. Das Gewinde der Mutter könnte beschädigt werden.
7. Entfernen Sie das Arretierwerkzeug.

- ♦ Verwenden Sie nur Messer, die vom Hersteller für dieses Modell vorgesehen sind.
- ♦ Wenn das Messer einen Riss aufweist, ersetzen Sie es sofort durch ein neues.
- ♦ Achten Sie darauf, dass das Messer gemäß den Anweisungen montiert wird.

- ♦ Wenn das Messer stumpf wird, drehen Sie es um, und benutzen Sie die scharfe Gegenseite.
- ♦ Bei Zersplitterung oder Verformung gerät das Messer in heftigere Vibration. Ersetzen Sie es in diesem Fall sofort.
- ♦ Schärfen Sie das 3-Zahn-Messer mit einer Flachfeile an jeder Schneide gleichmäßig (siehe Abbildung). Anderenfalls entsteht eine Unwucht und die Vibrationen werden verstärkt.

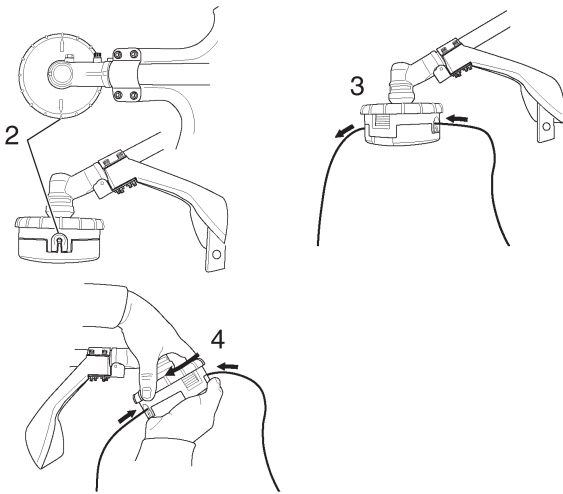
Nylonfaden einlegen

⚠ GEFAHR

- **Bevor Sie mit dem Auswechseln des Nylonfadens beginnen, stellen Sie das Gerät ab, entnehmen Sie den Akku, und warten Sie, bis sich der Nylonfadenkopf nicht mehr dreht.**
Andernfalls sind Unfälle und schwere Verletzungen die möglichen Folgen.

⚠ WARNUNG

- **Verwenden Sie nur flexible, nichtmetallische, von der YAMABIKO Corporation empfohlene Nylonfäden.**
Andernfalls kann es zu Unfällen bzw. schweren Verletzungen kommen.



1. Schneiden Sie ein Stück Faden auf die empfohlene Länge zu.
 - ♦ 2,4 mm Durchm. - 3,5 m
2. Richten Sie die oben am Drehknopf befindlichen Pfeile mit den Ösenöffnungen aus.
3. Fädeln Sie ein Ende des Nylonfadens durch die Öse und schieben Sie den Faden gleich weit durch den Nylonfadenkopf.
4. Halten Sie den Nylonfadenkopf, während Sie den Drehknopf im Uhrzeigersinn drehen, und wickeln Sie den Faden so weit auf die Spule, bis auf jeder Seite ca. 13 cm Faden freiliegen.



1. Verschleißanzeigen

WICHTIG

Wenn die unten am Nylonfadenkopf befindlichen Verschleißanzeigen abgenutzt und glatt sind, muss die Abdeckung oder der gesamte Nylonfadenkopf ausgetauscht werden.

Fehlerbehebung

WICHTIG

- **Verwenden Sie nur Original-Ersatzteile und -Verbrauchsprodukte, die für das Produkt zugelassen sind.**
Die Verwendung von Teilen anderer Hersteller oder nicht zugelassener Produkte kann zu Fehlfunktionen führen.

Wartung und Pflege

Problem	Ursache	Abhilfe
Rote Ladegerätlampe blinkt oder Lampe leuchtet nicht auf	<ol style="list-style-type: none"> 1. Stecker nicht mit der Steckdose verbunden 2. Akku ist nicht korrekt installiert 3. Schlechter Kontakt 4. Fehler im Ladegerät 5. Fehler im Akku 	<ol style="list-style-type: none"> 1. Stecken Sie das Ladegerät ein. 2. Prüfen Sie den Einbau des Akkus. 3. Bauen Sie den Akku mit gereinigten Kontakten wieder ein. 4. Wenden Sie sich an Ihren Händler. 5. Wenden Sie sich an Ihren Händler.
Gerät lässt sich nicht einschalten	<ol style="list-style-type: none"> 1. Akku ist nicht korrekt installiert 	<ol style="list-style-type: none"> 1. Prüfen Sie den Einbau des Akkus.
Gerät läuft nicht, obwohl es eingeschaltet ist	<ol style="list-style-type: none"> 1. Akku entladen 2. Fadenzopf verschmutzt 3. Akkutemperatur zu hoch oder zu niedrig 	<ol style="list-style-type: none"> 1. Laden Sie den Akku. 2. Schalten Sie das Gerät aus und reinigen Sie die Schneidvorrichtung 3. Bauen Sie den Akku aus, und lassen Sie den Akku abkühlen.
Laufzeit ist zu kurz	<ol style="list-style-type: none"> 1. Akkutemperatur zu hoch oder zu niedrig 2. Geräteelektronik zu heiß 3. Akku entladen 	<ol style="list-style-type: none"> 1. Bauen Sie den Akku aus, und lassen Sie den Akku abkühlen. 2. Schalten Sie das Gerät aus, und lassen Sie das Gerät abkühlen. 3. Laden Sie den Akku.
Faden ist nicht lang genug	<ol style="list-style-type: none"> 1. Es ist nicht genug Faden auf der Spule 2. Faden ist in der Spule verfangen 	<ol style="list-style-type: none"> 1. Mit neuem Kabel neu aufwickeln 2. Faden ab- und wieder aufwickeln
Faden wird nicht abgeschnitten	<ol style="list-style-type: none"> 1. Das Schneidmesser im Schutzschild ist beschädigt oder es fehlt 	<ol style="list-style-type: none"> 1. Wenden Sie sich an Ihren Händler.

- ♦ Bei Problemen oder Störungen, die nicht in der obigen Tabelle genannt werden, wenden Sie sich an Ihren Händler.
- ♦ Informationen zur vorschriftsmäßigen Entsorgung des Produkts oder seiner Einzelteile erhalten Sie bei Ihrem Händler.

Hersteller:

YAMABIKO CORPORATION

1-7-2 Suehirocho, Ohme, Tokio 198-8760 JAPAN

Bevollmächtigter Vertreter in Europa:

CERTIFICATION EXPERTS B.V.

Amerlandseweg 7, 3621 ZC Breukelen, Niederlande

LAGERUNG

WARNUNG

- ⊙ **Lagern Sie das Gerät nicht in einem Raum, in dem sich brennbare Dämpfe sammeln können.**
Es besteht Brandgefahr.



Gehen Sie folgendermaßen vor, wenn Sie das Produkt lange Zeit lagern möchten:

Motoreinheit

1. Schalten Sie die Stromzufuhr zu dem Gerät aus.
2. Entnehmen Sie den Akku aus dem Antriebskopf.
3. Entfernen Sie Ansammlungen von Schmutz und Fremdstoffen außen an dem Gerät.
4. Ziehen Sie alle Schrauben und Muttern fest.
5. Bedecken Sie das Akkufach des Antriebskopfes, den Akku und das Ladegerät.
6. Lagern Sie das Gerät trocken, staubfrei und für Kinder unzugänglich.

Akku

1. Entnehmen Sie den Akku aus dem Antriebskopf.
2. Wählen Sie für die Lagerung einen trockenen, staubfreien und für Kinder unzugänglichen Ort.
3. Die Lagerung soll bei Temperaturen zwischen -20 °C und 60 °C erfolgen.
4. Wenn der Akku länger als ein Jahr nicht verwendet worden ist, laden Sie ihn auf 40 - 60 % auf.

Akkuladegerät

1. Entnehmen Sie den Akku aus dem Akkuladegerät.
2. Trennen Sie das Akkuladegerät vom Netz.
3. Wählen Sie für die Lagerung einen trockenen, staubfreien und für Kinder unzugänglichen Ort.

Entsorgung



- ♦ Auf den größeren Kunststoffteilen des Produkts befindet sich jeweils eine Kennzeichnung (Code) des Werkstoffs. Diese Codes beziehen sich auf die folgenden Werkstoffe; entsorgen Sie diese Kunststoffteile unter Einhaltung der gesetzlichen Vorschriften Ihres Landes.

Kennzeichnung	Werkstoff
>PA6-GF<	Nylon 6 - Glasfaser
>PP-GF<	Polypropylen - Glasfaser
>PE-HD<	Polyethylen
>PP<	Polypropylen

- ♦ Wenn Sie Fragen zur korrekten Entsorgung von Kunststoffteilen haben, setzen Sie sich bitte mit Ihrem Fachhändler in Verbindung.
- ♦ Batterie enthält Lithium. Nur an den dafür vorgesehenen Sammelstellen entsorgen.
- ♦ Lithium-Ionen-Batterien müssen vorschriftsgemäß recycelt und entsorgt werden.

Technische Daten

	DSRM-2600	
	L	U
Außenabmessungen: Länge × Breite × Höhe	1896 × 332 × 275 mm	1896 × 669 × 593 mm
Gewicht: Gerät ohne Akku, Schneidvorrichtung und Schutzvorrichtung Gerät mit Akku, vorgeschriebener Schneidvorrichtung, Schutzschild und Schultergurt	3,2 kg 6,0 kg	3,7 kg 6,9 kg
Schneidvorrichtung: Nylonfaden-Schneidkopf (Schneidbreite) Gewinde Nylonfadenstärke (Durchmesser) Nylonfadenlänge	SF400 (406) Linksgewinde M10×1,25 2,4 mm 3,5 m	
Messerantrieb: Untersetzungsverhältnis und Schmierung Drehrichtung des Werkzeugaufnahmebolzens von oben gesehen Maximale Rotationsfrequenz der Spindel	Untersetzung 1,62; hochwertiges Lithium-Schmiermittel Gegen den Uhrzeigersinn 5700 min ⁻¹	
Akku: Typ Akkuspannung Ladegerättyp Ladegeräteingangsspannung	Li-Ion 56 Volt (Nennspannung 50,4 V) CCCV 220 – 240 Volt WS	
Akkuladegerätlampen:	Rote LED – Akku nicht im Ladetemperaturbereich Rote LED blinkt – Fehler Grüne LED – Akku fertig geladen Grüne LED blinkt – Akku lädt normal	
Ladezeit:	(mit LCJQ-560) Akku LBP-560-100: Circa 42 Minuten Akku LBP-560-200: Circa 88 Minuten	
Schwingungspegel: (EN50636-2-91)	Vorderer Griff 1,3 m/s ² Hinterer Griff 1,5 m/s ² Unsicherheit 1,5 m/s ²	Linker Griff 2,1 m/s ² Rechter Griff 1,4 m/s ² Unsicherheit 1,5 m/s ²
Schalldruckpegel: (EN50636-2-91) Schalleistungspegel: (EN50636-2-91) Unsicherheit	78,5 dB(A) 92,6 dB(A) 3,0 dB(A)	80,7 dB(A) 91,0 dB(A) 3,0 dB(A)
Garantierter Schalleistungspegel: (2000/14/EG, Anhang VI)	96 dB(A)	96 dB(A)

Änderungen der technischen Daten vorbehalten.

Die Vibrations- und Geräuschemissionen während der tatsächlichen Nutzung des Geräts können von den deklarierten Werten abweichen, je nachdem, wie das Werkzeug eingesetzt und insbesondere welche Art von Werkstück bearbeitet wird.

Konformitätserklärung

Der unterzeichnete Hersteller:

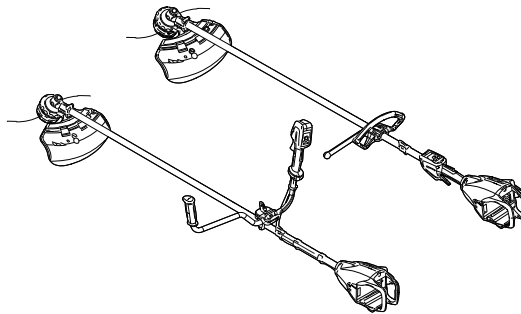
YAMABIKO CORPORATION
1-7-2 Suehirocho Ohme, Tokio 198-8760 JAPAN

Diese Konformitätserklärung wird unter der alleinigen Verantwortung des Herstellers erstellt.

erklärt, dass das nachstehend spezifizierte neue Gerät:

RASENTRIMMER/MOTORSENSE

Marke: ECHO
Typ: DSRM-2600



Entspricht:

- * Anforderungen der Richtlinie **2006/42/EG** (Verwendung der harmonisierten Norm **EN ISO 11806-1:2011, EN 60335-1:2012 +A11: 2014 und EN 50636-2-91: 2014**)
- * Anforderungen der Richtlinie **2014/30/EU** (Anwendung der harmonisierten Norm **EN 55014-1: 2017 +A11: 2020, EN 55014-2: 2015**)
- * Anforderungen der Richtlinie **2000/14/EG** geändert durch **2005/88/EG**

Konformitätsbewertungsverfahren nach **ANHANG VI**

TÜV SÜD Industrie Service GmbH (Benannte Stelle 0036)
Westendstraße 199, 80686 München Deutschland

Gemessener Schalleistungspegel: 92,2 dB(A) Rundgriff, 91,4 dB(A) U-Griff

Garantierter Schalleistungspegel: 96 dB(A)

- * Anforderungen der Richtlinie **2011/65/EU** (Verwendung der harmonisierten Norm **EN IEC63000: 2018**)

Seriennummer U49735001001 bis U49735100000

Tokio, 27. Januar 2022

YAMABIKO CORPORATION



Hisashi Kobayashi
Hauptabteilungsleiter
Abteilung Qualitätssicherung

Der Dokumentenbevollmächtigte in Europa, welcher autorisiert ist, die technischen Unterlagen zusammenzustellen.

Unternehmen: CERTIFICATION EXPERTS B.V.

Adresse: Amerlandseweg 7, 3621 ZC Breukelen, Niederlande

Herr Richard Glaser

YAMABIKO CORPORATION
1-7-2 Suehirocho, Ohme, Tokio 198-8760 JAPAN
TELEFON: 81-428-32-6118. FAX: 81-428-32-6145.



X750816-3801



IT ITALIANO
(Istruzioni originali)

MANUALE PER L'OPERATORE DECESPUGLIATORE/BORDATORE DSRM-2600

AVVERTENZA



LEGGERE E SEGUIRE ATTENTAMENTE LE ISTRUZIONI PER
LAVORARE IN CONDIZIONI DI MASSIMA SICUREZZA.
LA MANCATA OSSERVANZA DELLE ISTRUZIONI POTREBBE
PROVOCARE LESIONI GRAVI.



Contenuto

Per un uso sicuro del prodotto	3
Descrizione	8
Prima di iniziare	9
Contenuto della confezione	9
Carica della batteria	10
Montaggio	11
Versione con impugnatura ad anello	11
Versione con impugnatura a U	11
Regolazione del punto di equilibrio	13
Installazione della batteria	13
Funzionamento	15
Avvio dell'unità	15
Arresto dell'unità	16
Operazioni di taglio	17
Uso della cinghia a spalla	18
Funzionamento base del taglio con testina a filo di nylon	18
Funzionamento base del taglio con disco metallico	21
Manutenzione e cura	22
Guida alla manutenzione	22
Manutenzione e cura	22
Rimessaggio	26
Smaltimento	27
Caratteristiche tecniche	28
Dichiarazione di conformità	29

Per un uso sicuro del prodotto

Informazioni importanti

AVVERTENZA

Si raccomanda di leggere il manuale per l'operatore prima di utilizzare questo prodotto.

Informazioni sul manuale per l'operatore

- Questo manuale contiene informazioni necessarie per l'assemblaggio, il funzionamento e la manutenzione del prodotto. Si raccomanda di leggerlo attentamente e di assimilarne il contenuto.
- Tenere sempre il manuale in un luogo facilmente accessibile.
- Se il manuale viene smarrito o danneggiato e non può essere consultato, acquistarne uno nuovo presso il proprio rivenditore.
- Le unità di misura utilizzate in questo manuale sono espresse in conformità al sistema internazionale. Le cifre riportate tra parentesi sono valori di riferimento e in alcuni casi ci potrebbero essere lievi errori di conversione.
La mancata osservanza di queste precauzioni potrebbe causare incidenti o lesioni gravi.

Tipologia di impiego del prodotto

- Questo prodotto è un attrezzo leggero a elevate prestazioni con motore a benzina, realizzato per tenere sotto la crescita delle erbacce e il taglio dell'erba in aree difficili da controllare con altri mezzi.
- Non usare il prodotto per impieghi differenti da quelli specificati sopra.
- Il contenuto di questo manuale può essere modificato senza preavviso per renderlo conforme a eventuali aggiornamenti del prodotto. Al fine di illustrare con maggiore chiarezza le spiegazioni sul prodotto, alcune illustrazioni potrebbero essere differenti da quelle del prodotto reale.
- Per ulteriori chiarimenti, consultare il proprio rivenditore.
La mancata osservanza di queste precauzioni potrebbe causare incidenti o lesioni gravi.

Non modificare il prodotto

- Il prodotto non deve essere modificato.
La mancata osservanza di queste precauzioni potrebbe causare un incidente o lesioni gravi. Qualsiasi guasto causato da modifiche apportate al prodotto non sarà coperto dalla garanzia del produttore.

Non utilizzare il prodotto senza aver effettuato prima il controllo e la manutenzione

- Non utilizzare il prodotto senza aver effettuato prima il controllo e la manutenzione. Accertarsi sempre che il controllo e la manutenzione vengano eseguiti a scadenze regolari.
La mancata osservanza di queste precauzioni potrebbe causare incidenti o lesioni gravi.

Prestito o cessione del prodotto

- In caso di prestito del prodotto, consegnare alla persona che lo riceve anche il manuale dell'operatore.
- Se si cede o vende il prodotto a terzi, consegnare anche il manuale dell'operatore assieme al prodotto.
La mancata osservanza di queste precauzioni potrebbe causare incidenti o lesioni gravi.

Utenti del prodotto

- Il prodotto non deve essere utilizzato da:
 - ◆ persone stanche
 - ◆ persone che hanno assunto bevande alcoliche
 - ◆ persone sotto trattamento farmacologico
 - ◆ persone in stato di gravidanza
 - ◆ persone in condizioni fisiche precarie
 - ◆ persone che non hanno letto il manuale dell'utente
 - ◆ bambini
- Tenere presente che l'operatore o l'utente è responsabile di eventuali rischi o incidenti provocati ad altre persone o alle proprietà altrui.
La mancata osservanza di queste istruzioni potrebbe provocare incidenti.
- I componenti di questa macchina generano un campo elettromagnetico durante l'uso, e ciò potrebbe interferire con alcuni tipi di pacemaker. Per ridurre i rischi per la salute, consigliamo ai portatori di pacemaker di consultare il proprio medico e il produttore del pacemaker prima di utilizzare questo prodotto.



Per un uso sicuro del prodotto

AVVERTENZA

Vibrazioni e freddo

- Si ritiene che la condizione definita fenomeno di Raynaud, che colpisce le dita di alcune persone, sia causata dall'esposizione alle vibrazioni e al freddo. L'esposizione al freddo e alle vibrazioni può causare formicolio e brucio-re, seguiti da pallore e intorpidimento delle dita. Dato che non si conosce il livello di esposizione minima che causa i disturbi, si consiglia vivamente di osservare le seguenti precauzioni.
 - ◆ Tenere il corpo caldo, soprattutto testa, collo, piedi, caviglie, mani e polsi.
 - ◆ Mantenere una buona circolazione del sangue facendo vigorosi esercizi con le braccia durante frequenti pause di lavoro, ed evitare di fumare.
 - ◆ Limitare il numero di ore di impiego. Cercare di pianificare altri lavori nell'arco della giornata lavorativa, in cui non sia richiesto l'uso del decespugliatore o di altre macchine portatili.
 - ◆ Se si accusano disagi e disturbi e se si riscontrano arrossamenti e gonfiore delle dita seguiti da pallore e perdita di sensibilità, rivolgersi al proprio medico prima di esporsi di nuovo al freddo e alle vibrazioni.

La mancata osservanza di queste istruzioni potrebbe causare danni alla salute.

Lesioni da sforzi ripetuti

- Si ritiene che l'uso eccessivo dei muscoli e dei tendini di dita, mani, braccia e spalle possa causare dolore, gonfiore, intorpidimento, debolezza e fortissimi dolori nelle zone menzionate. Alcune attività manuali ripetitive possono essere causa di alto rischio per lo sviluppo di lesioni da sforzi ripetitivi. Per ridurre il rischio di lesioni da sforzi ripetitivi:
 - ◆ Evitare di usare il polso piegato, allungato o girato.
 - ◆ Fare pause a intervalli regolari per ridurre al minimo i movimenti ripetuti e far riposare le mani. Ridurre la velocità e la forza con cui il movimento ripetitivo viene eseguito.
 - ◆ Fare esercizi per rafforzare i muscoli delle mani e delle braccia.
 - ◆ Consultare un medico se si avverte formicolio, intorpidimento o dolori nelle dita, nelle mani, nei polsi o nelle braccia. Una tempestiva diagnosi di lesioni da sforzi ripetitivi consente di evitare danni permanenti ai nervi e ai muscoli.

La mancata osservanza di queste istruzioni potrebbe causare danni alla salute.

Addestramento

- Non permettere a nessuno di azionare l'attrezzo senza idoneo addestramento o attrezzature di protezione adeguate.
- Acquisire dimestichezza con i comandi e il corretto impiego dell'attrezzo.
- Familiarizzare con le procedure di arresto e spegnimento motore dell'attrezzo.
- Imparare a sganciare rapidamente un attrezzo spalleggiato.
- Non permettere a nessuno di utilizzare l'attrezzo senza idoneo addestramento.

La mancata osservanza di queste istruzioni potrebbe causare danni alla salute.

Indossare indumenti idonei.

- Raccogliere i capelli in modo che non tocchino le spalle.
- Non indossare cravatte, gioielli o vestiti poco aderenti che potrebbero restare impigliati nella macchina.
- Non indossare calzature aperte, non lavorare a piedi nudi o a gambe nude.

La mancata osservanza di queste precauzioni potrebbe causare danni alla vista o all'udito o lesioni gravi.



Indossare indumenti protettivi

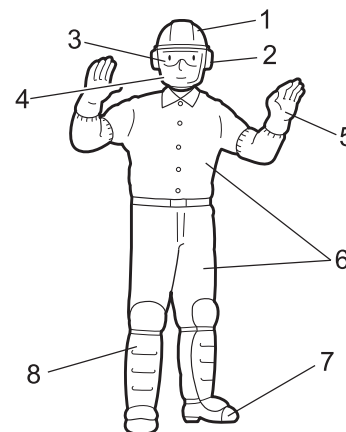
- Indossare sempre i seguenti indumenti protettivi durante il lavoro con il decespugliatore.

1. Casco (elmetto): Protegge la testa
2. Protezioni acustiche o tappi per le orecchie: Proteggono l'udito
3. Occhiali di protezione: Proteggono gli occhi
4. Schermo facciale: Protegge il viso
5. Guanti protettivi: Proteggono le mani dal freddo e dalle vibrazioni
6. Indumenti da lavoro aderenti (maniche lunghe e pantaloni lunghi): Proteggono il corpo
7. Stivali protettivi antiscivolo per lavori pesanti (con protezione delle punte) o scarpe da lavoro antiscivolo (con protezione delle punte): Proteggono i piedi
8. Parastinchi: Proteggono gli stinchi

La mancata osservanza di queste precauzioni potrebbe causare danni alla vista o all'udito o lesioni gravi.

- Se necessario, utilizzare anche i seguenti indumenti protettivi.

- ◆ Respiratore: Protegge l'apparato respiratorio
- ◆ Rete antiapi: Per proteggersi dalle api



Per un uso sicuro del prodotto

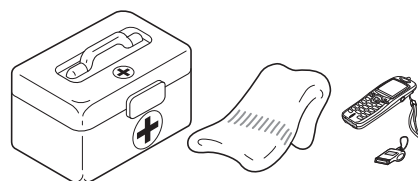
AVVERTENZA

Ambiente di utilizzo e funzionamento

- Non utilizzare il prodotto:
 - ◆ In ambienti umidi.
 - ◆ Sotto la pioggia.
 - ◆ In condizioni di cattivo tempo.
 - ◆ In pendii ripidi o in luoghi con punti di appoggio non sicuri e quindi scivolosi.
 - ◆ Di notte o in luoghi bui con scarsa visibilità.
 - ◆ Ove sussistano rischi di fulmini.
- Quando si utilizza il prodotto su un pendio delicato, lavorare seguendo i contorni del terreno.
Cadute, scivolate o un uso non corretto del prodotto potrebbero causare lesioni gravi.
- Per un uso salutare, sicuro e confortevole, utilizzare la macchina solo a temperature comprese nell'intervallo da -5 °C a 40°C.
La mancata osservanza di queste istruzioni potrebbe causare danni alla salute.

Essere pronti in caso di lesioni

- Nell'improbabile evento di incidenti o lesioni, è consigliabile essere preparati.
 - ◆ Cassetta di pronto soccorso
 - ◆ Asciugamani e fazzoletti (per fermare eventuali emorragie)
 - ◆ Fischiello o telefono cellulare (per chiedere aiuto)
 Se non si è in grado di effettuare un primo soccorso o chiedere aiuto, le lesioni potrebbero peggiorare.



Messaggi di avviso

PERICOLO

Questo simbolo accompagnato dalla parola "**PERICOLO**" richiama l'attenzione su un'azione o una condizione che potrebbe causare infortuni gravi o la morte di utenti o di persone presenti.

AVVERTENZA

Questo simbolo accompagnato dalla parola "**AVVERTENZA**" richiama l'attenzione su un'azione o una condizione che potrebbe causare lesioni gravi o la morte di utenti o di persone presenti.

ATTENZIONE

"**ATTENZIONE**" indica una situazione potenzialmente pericolosa che, se non evitata, potrebbe causare lesioni minori o moderate.

Altri indicatori



Il cerchietto barrato sta ad indicare che quanto è illustrato è proibito.





NOTA

Il messaggio qui riportato fornisce consigli per l'uso, la cura e la manutenzione del prodotto.











IMPORTANTE

Il testo incorniciato, caratterizzato dalla parola "**IMPORTANTE**", contiene informazioni importanti riguardo l'uso, il controllo, la manutenzione e il rimessaggio del prodotto descritto in questo manuale.

Simboli

Forma del simbolo	Descrizione/applicazione del simbolo	Forma del simbolo	Descrizione/applicazione del simbolo
	Leggere attentamente il manuale per l'operatore		Rimuovere il pacco batterie prima di procedere a qualunque operazione di manutenzione e cura.
	Indossare protezioni per occhi, orecchie e testa		Tenere gli astanti a una distanza di 15 m

Per un uso sicuro del prodotto

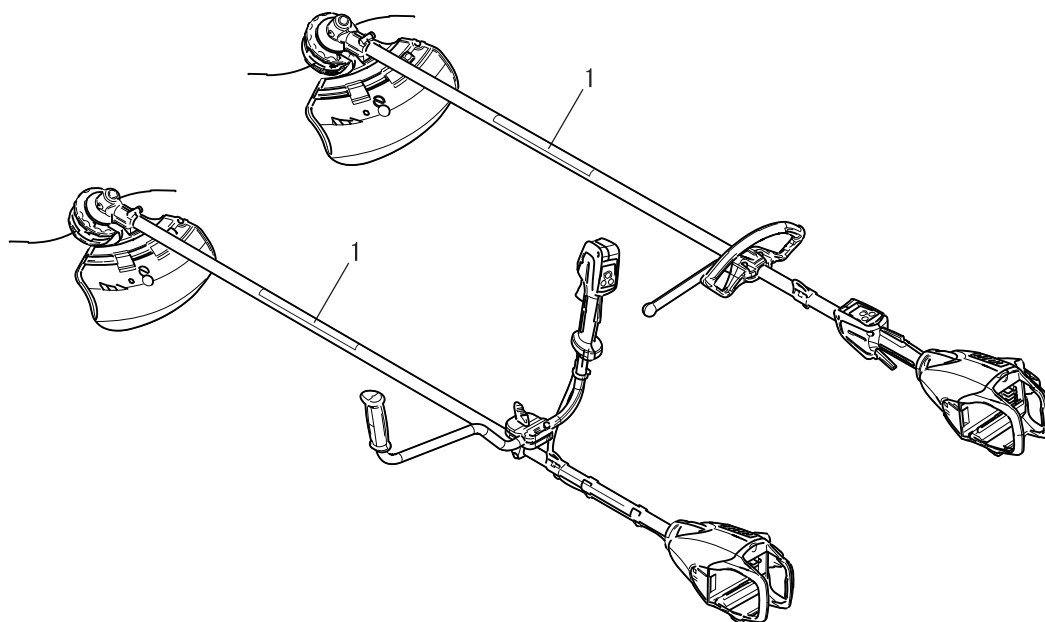
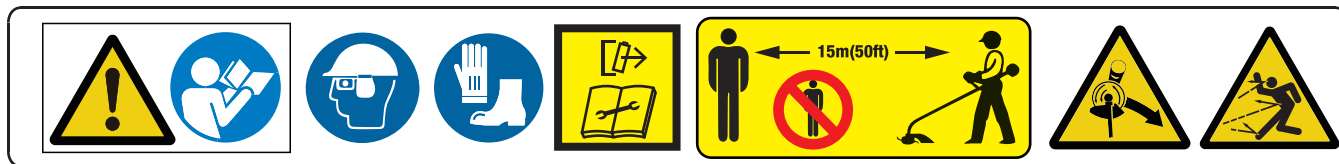
Forma del simbolo	Descrizione/applicazione del simbolo	Forma del simbolo	Descrizione/applicazione del simbolo
	Attenzione, spinta laterale		Indossare protezioni per i piedi e guanti
	Protezione/allarme		Prestare attenzione nelle aree ad alta temperatura
	Avvertenza! Oggetti scagliati!		Livello di potenza acustica garantito
	Vietato l'uso di dischi metallici		L'uso della testina a filo di nylon non è consentito
	Attenzione al fuoco		Non smaltire le apparecchiature elettriche con la spazzatura normale
<u>IPX4</u>	Protezione contro gli spruzzi d'acqua		

Per un uso sicuro del prodotto

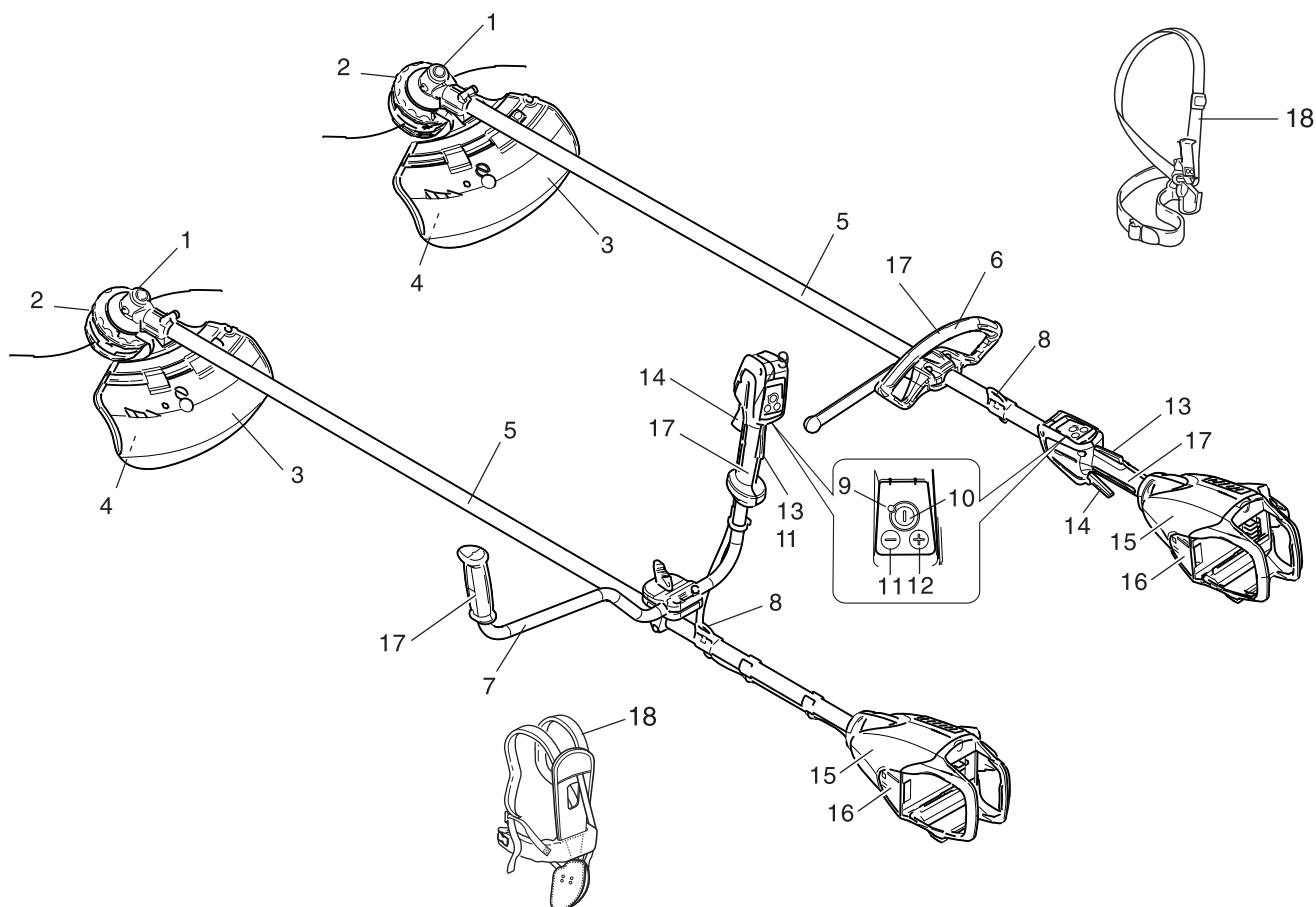
Decalcomania/e

- La decalcomania riportata sotto è stata applicata sui prodotti descritti in questo manuale. Prima di utilizzare il prodotto accertarsi di aver compreso quanto riportato sulla decalcomania.
- Se la decalcomania diventa illeggibile a causa dell'usura, si strappa o si stacca e si perde, acquistarne una di ricambio presso il rivenditore e fissarla nel punto illustrato nella figura in basso. Accertarsi che la decalcomania sia sempre leggibile.

1. Decalcomania (Codice ricambio X505-011600)



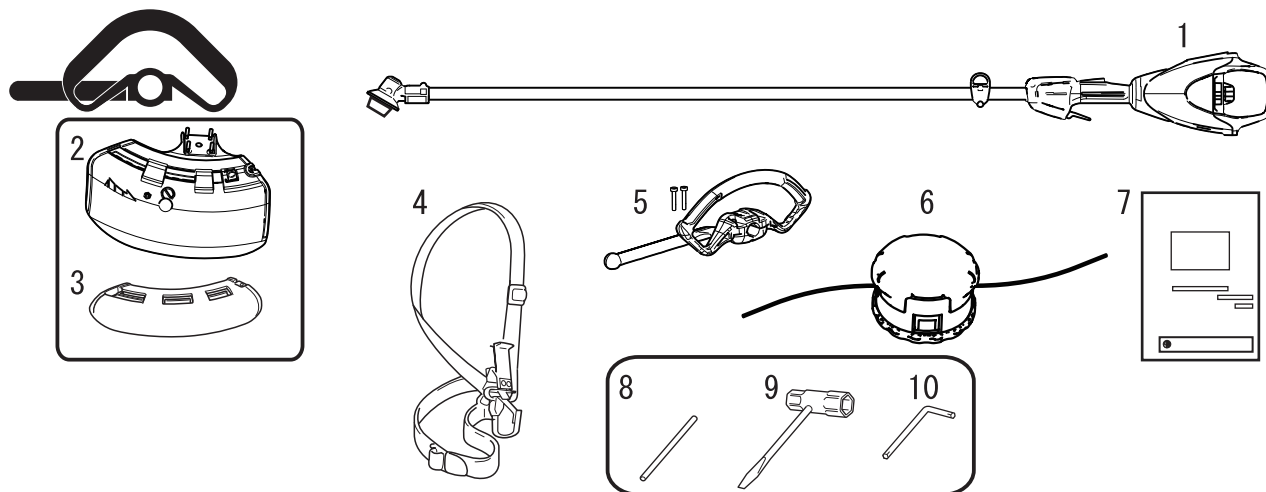
Descrizione



1. **Trasmissione angolare** Due ingranaggi per cambiare l'angolo dell'asse di rotazione.
2. **Accessorio di taglio** Testina a filo di nylon per falciare erba e erbacce.
3. **Protezione** Protegge l'utente dal contatto accidentale con la testina di taglio e con eventuali oggetti lanciati.
4. **Coltello tagliafilo** Taglia il filo di nylon per regolarne la lunghezza proporzionalmente.
5. **Albero** Parte dell'attrezzo che funge da tubo di rivestimento dell'albero di trasmissione.
6. **Impugnatura ad anello** Leggera, adatta per bordatore/decespugliatore con filo di nylon.
7. **Impugnatura a U** Ha la forma del manubrio di una bicicletta, per ridurre la fatica dell'operatore, rispetto all'impugnatura ad anello.
8. **Punto di sospensione** Dispositivo su cui si aggancia la cintura a bandoliera.
9. **LED di alimentazione** Il LED resta illuminato quando l'unità è alimentata. LED spento quando l'unità viene spenta.
10. **Pulsante di accensione** Premere una volta per accendere l'unità. Il LED di alimentazione si illumina. Premere nuovamente il pulsante per spegnere l'unità. Il LED di alimentazione si spegne.
11. **Pulsante -**
12. **Pulsante +**
13. **Fermo interruttore a grilletto** - Blocca l'interruttore a grilletto in posizione OFF fin quando la mano destra non afferra saldamente l'impugnatura.
14. **Interruttore a grilletto** - Azionato dall'operatore con la mano per attivare il motore.
15. **Testa unità** – alloggia motore e batteria.
16. **Tipo e numero di serie**
17. **Superficie di presa**
18. **Cinghia a spalla** - Cinghia regolabile per sostenere l'attrezzo.

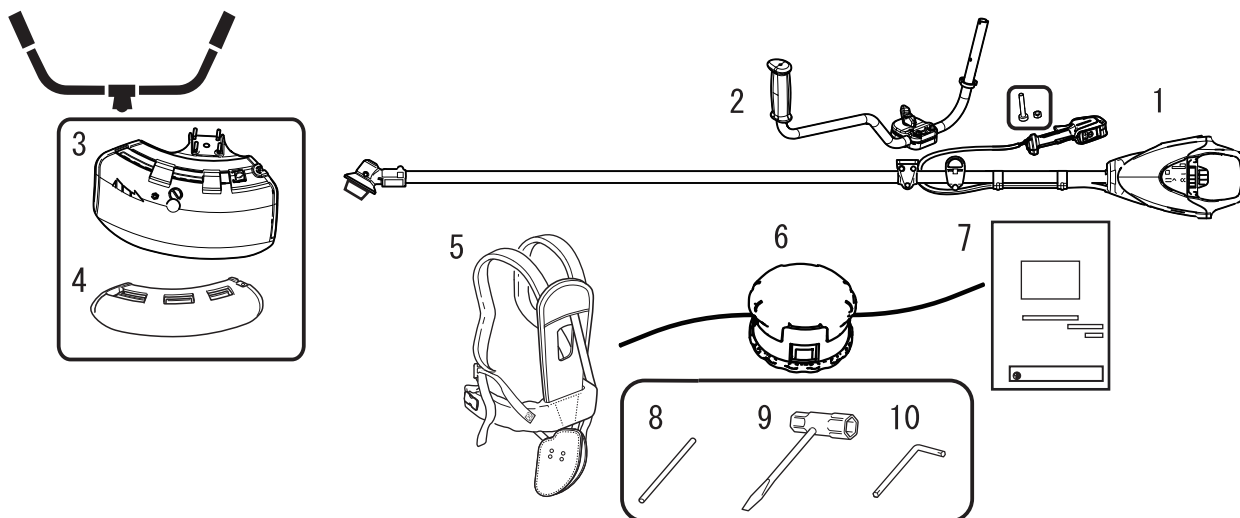
Contenuto della confezione

- ♦ Le seguenti parti sono state imballate separatamente nella scatola di imballaggio.
- ♦ Dopo aver aperto la confezione, controllare che siano presenti tutte le parti.
- ♦ In caso di parti mancanti o rotte, contattare il rivenditore.



1. Unità motore e tubo dell'albero
2. Protezione (per testina a filo di nylon)
3. Protezione (per disco metallico)
4. Cinghia a spalla
5. Impugnatura ad anello

6. Testina a filo di nylon
7. Manuale per l'operatore
8. Utensile di bloccaggio
9. Chiave a tubo
10. Chiave a L



1. Unità motore e tubo dell'albero
2. Impugnatura a U
3. Protezione (per testina a filo di nylon)
4. Protezione (per disco metallico)
5. Cinghia a spalla

6. Testina a filo di nylon
7. Manuale per l'operatore
8. Utensile di bloccaggio
9. Chiave a tubo
10. Chiave a L

Prima di iniziare

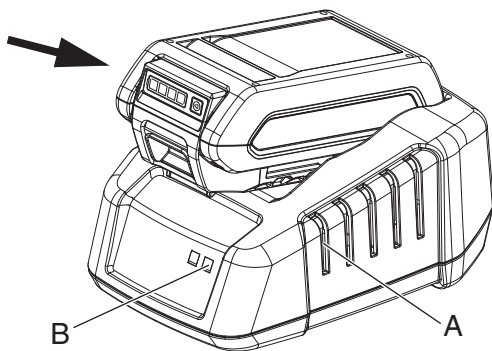
Carica della batteria

⚠ AVVERTENZA

- Utilizzare sempre batterie di tipo LBP-560-100/LBP-560-200 e ricaricare solo con il caricabatterie LCJQ-560 o LCJU-560.
- Tenere il caricabatterie e la batteria lontane da umidità e liquidi.
- Non azionare il caricabatterie su una superficie facilmente infiammabile (ad es. carta, tessuti) o in un ambiente ad alto rischio di incendio.
- Non coprire il caricabatterie. Se viene coperto, il caricabatterie non sarà in grado di raffreddarsi.
- Non utilizzare il caricabatterie in atmosfere esplosive, come ambienti saturi di liquidi, gas o polveri infiammabili. I caricabatterie possono generare scintille, che possono infiammare polveri o fumi, con il conseguente rischio di esplosioni.
- Collegare il caricabatterie al tipo di alimentazione di rete e alla frequenza di rete indicate sulla targhetta delle specifiche.
- Collegare il caricabatterie solo a una presa a muro facilmente accessibile.
- Non inserire mai oggetti nelle fessure di raffreddamento del pacco batterie o del caricabatterie (A).
- Non caricare o utilizzare un pacco batterie o un caricabatterie difettoso, danneggiato o deformato.
- Non aprire, danneggiare o far cadere il pacco batterie o il caricabatterie.
- Se la batteria è danneggiata o viene utilizzata in modo improprio, potrebbe fuoriuscire del liquido; evitare il contatto con la pelle. In caso di contatto accidentale, sciacquare abbondantemente le aree della pelle interessate con acqua e sapone. In caso di contatto del liquido con gli occhi, non strofinare. Sciacquare abbondantemente gli occhi con acqua per almeno 15 minuti. Richiedere inoltre assistenza medica.
- Non ponticellare (cortocircuitare) i contatti del pacco batteria o i terminali del caricabatterie con oggetti metallici.
- Proteggere dai raggi diretti del sole, calore e fiamme aperte e non gettare mai le batterie nel fuoco; vi è rischio di esplosione.
- In presenza di fumo o incendio nel caricabatterie, scollegarlo immediatamente dalla presa a muro.
- Se il cavo di alimentazione è danneggiato, scollegarlo immediatamente dalla presa, per evitare il rischio di scosse elettriche.
- Non esporre il pacco batterie a microonde o alta pressione.
- Proteggere l'unità da eventuali avviamenti non intenzionali. Rimuovere il pacco batterie dall'unità prima dell'eventuale trasporto o stoccaggio dell'unità. Non utilizzare contenitori metallici per il trasporto delle batterie.
- Non utilizzare il cavo di alimentazione per impieghi differenti da quelli specificati, come per il trasporto o per appendere il caricabatterie.
- Al fine di ridurre il rischio di inciampare, posizionare e marcare il cavo di alimentazione in modo tale che non possa essere danneggiato o che costituisca un rischio per gli altri.
- Per lo scollegamento, afferrare la spina e non il cavo.

NOTA

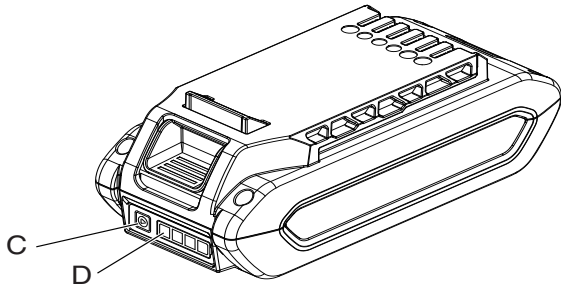
- La batteria viene fornita già parzialmente carica quando l'unità viene spedita dalla fabbrica e deve pertanto essere caricata completamente prima dell'uso.
- Ricaricare la batteria quando questa non è più in grado di generare una potenza sufficiente a far funzionare l'unità, oppure quando la spia della batteria indica una bassa carica residua.



1. Inserire il cavo di alimentazione CA del caricabatterie in una presa di rete.
2. Allineare i bordi della batteria con le scanalature del caricabatterie e quindi inserire la batteria all'interno del caricabatterie.
3. Durante le normali fasi di ricarica, il LED del caricabatterie (B), emetterà un lampeggio continuo di colore VERDE.

IMPORTANTE

- Se il caricabatterie rileva un problema, il LED emette un lampeggio di colore rosso. In tal caso, rimuovere la batteria dal caricabatterie, eliminare le eventuali ostruzioni dai contatti e reinstallare la batteria nel caricabatterie. Se la batteria sta operando fuori dai limiti di temperatura (da 0 °C a 60 °C), il LED continuerà ad emettere il lampeggio ROSSO.



4. Una volta completata la ricarica, il LED emette una luce VERDE fissa.
5. Assicurarsi che la batteria sia interamente carica, rimuovendola dal caricabatterie e quindi premendo il pulsante di misurazione dello stato di carica della batteria (C), e verificando lo stato sul relativo indicatore a LED (D).
 - ♦ 1 luce verde indica che la batteria ha una carica residua del 0-25%.
 - ♦ 2 luci verdi indicano che la batteria ha una carica residua del 25-50%.
 - ♦ 3 luci verdi indicano che la batteria ha una carica residua del 50-75%.
 - ♦ 4 luci verdi indicano che la batteria ha una carica residua del 75-100%.
6. Scollegare il caricabatterie dall'alimentazione di rete.

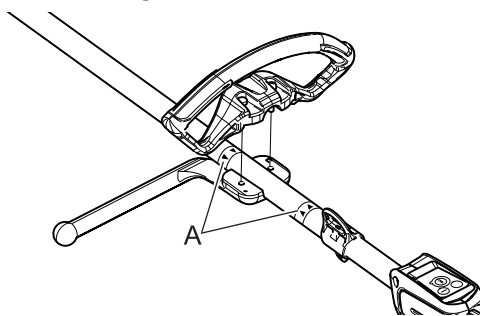
Montaggio

⚠ AVVERTENZA

○ Leggere attentamente il manuale per l'operatore per essere certi di montare correttamente il prodotto.
L'uso di un prodotto non montato correttamente potrebbe causare incidenti o lesioni gravi.



Versione con impugnatura ad anello Montaggio dell'impugnatura ad anello

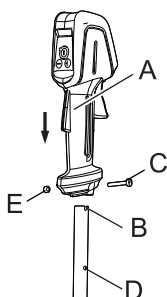


Collocare l'impugnatura in una posizione comoda e serrare i bulloni.

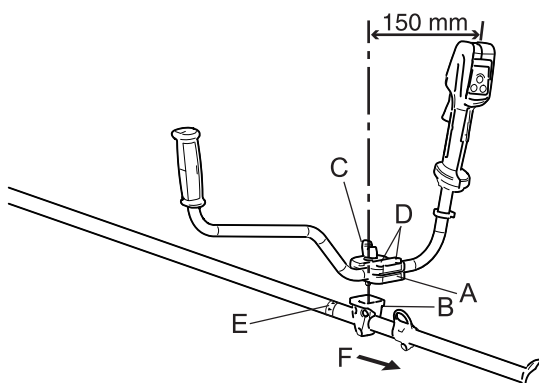
⚠ ATTENZIONE

○ Installare l'impugnatura tra i contrassegni (A).

Versione con impugnatura a U Montaggio dell'impugnatura a U



1. Far scorrere l'impugnatura lato destro nella manopola dell'acceleratore (A) e inserirla nella scanalatura (B) per evitare la rotazione.
2. Posizionare la manopola dell'acceleratore in modo che il bullone (C) possa passare attraverso il foro di arresto (D).
3. Serrare a fondo la vite e il dado (E).



1. Montare il supporto di montaggio (superiore) (A) dell'impugnatura nel supporto di montaggio (inferiore) (B) e fissare l'impugnatura serrando leggermente il bullone di montaggio (C).
 2. Regolare l'inclinazione dell'impugnatura in posizione adeguata (comoda per il lavoro) e serrare a fondo il bullone di montaggio.
- * Per regolare il bullone di fissaggio (D) procedere (secondo necessità)
- (1) Serrare al massimo i bulloni.
 - (2) Allentare i bulloni di 1 giro e $\frac{1}{2}$.
- E: Freccia

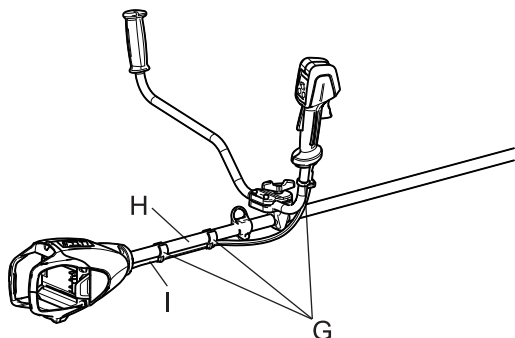
Prima di iniziare

F: Alla testa dell'unità

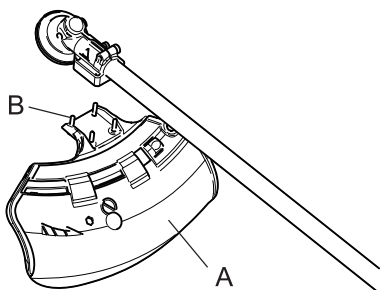
⚠ ATTENZIONE

○ Installare l'impugnatura sul lato testa unità, operando in corrispondenza del contrassegno a forma di freccia.

3. Per evitare che il cavo (I) si allenti, fissarlo all'albero (H) (2 punti) e all'impugnatura a U destra (1 punto) con i fermi di fissaggio (G).

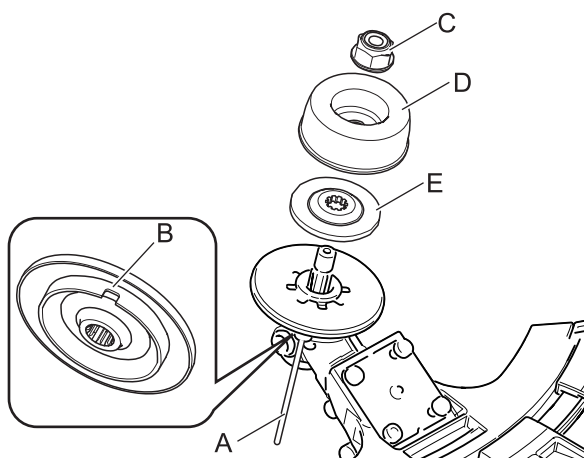


Montaggio della protezione

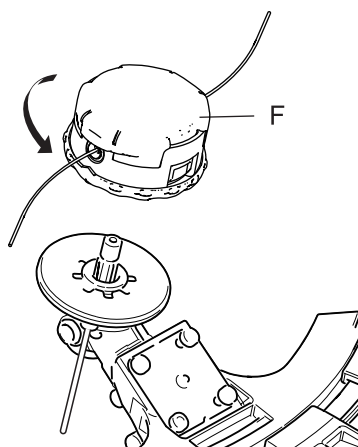


1. Montare la protezione (A) alla porzione di supporto della trasmissione angolare e serrare i 4 bulloni (B).

Montaggio della testina a filo di nylon



1. Inserire l'utensile di bloccaggio (A) in un foro situato sul lato destro della trasmissione angolare, forzando al contempo la molla porta disco sul lato sinistro.
 2. Inserire l'utensile di bloccaggio nell'asola per il bloccaggio del fermo della lama (B), per fissare l'alberino di uscita.
 3. Utilizzando la chiave a tubo, rimuovere il dado (C), il sottocoppa (D) e il fermo della lama inferiore (E).
- * Dado, sottocoppa e fermo della lama inferiore non sono utilizzati in presenza di testine con filo di nylon.



⚠ ATTENZIONE

○ Fissare saldamente l'alberino di uscita con l'utensile di bloccaggio per impedire la rotazione dell'alberino di uscita durante il montaggio della testina a filo di nylon.

4. Avvitare la testina a filo di nylon (F) sull'albero (in senso antiorario) fino a quando non è saldamente inserita in sede.
5. Smontare l'utensile di bloccaggio.

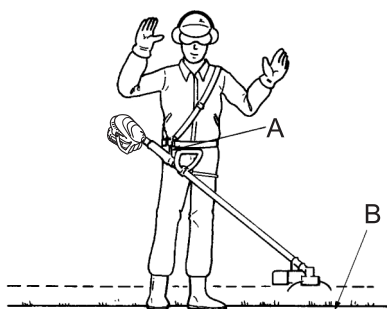
Regolazione del punto di equilibrio Regolazione della cinghia a spalla

⚠ AVVERTENZA

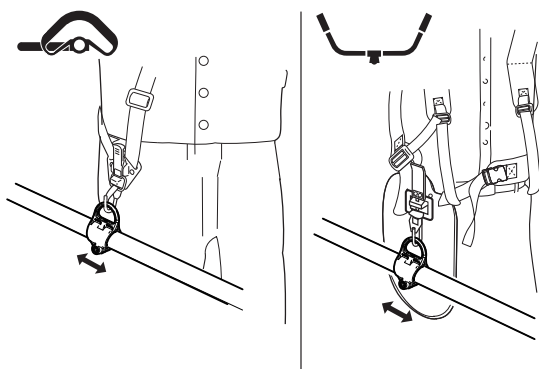
- Questo prodotto è progettato per adattarsi a vari tipi di corporature, ma non sempre è regolabile per persone molto alte. Non utilizzare l'attrezzo se i piedi raggiungono l'accessorio di taglio quando l'attrezzo è fissato alla cinghia a spalla.

IMPORTANTE

- L'altezza della persona può influire sulla regolazione del punto di equilibrio. Inoltre, la procedura di bilanciamento può non essere valida per alcune unità o per alcune persone. Se la cinghia a spalla non si adatta o non può essere ben regolata, richiedere assistenza al proprio rivenditore.



Equilibrare l'attrezzo per un taglio con rotazione livellata



- ♦ La cinghia a spalla in dotazione è adatta per persone con una corporatura da adulto standard, con un'altezza di 150 - 195 cm e un giro vita di 60 - 140 cm.
- ♦ Utilizzare una cinghia a spalla se in dotazione o se consigliata in questo manuale. Regolare sia la cinghia che il punto di sospensione (A) sull'unità in modo che questa rimanga sospesa con l'accessorio di taglio a pochi centimetri da terra (B).
- ♦ L'accessorio di taglio e la protezione devono essere a livello in tutte le direzioni. Agganciare l'unità sul lato destro come mostrato.

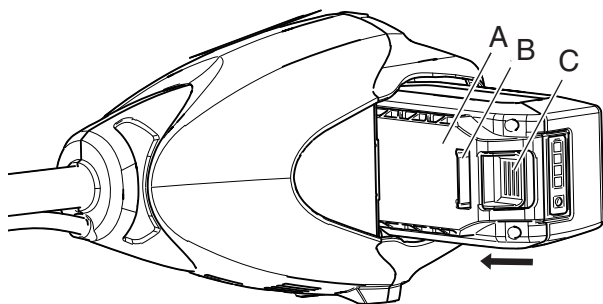
- ♦ Far scorrere il punto di sospensione su e giù lungo l'albero per trovare l'equilibrio adeguato. Ruotare il fermo per portare l'accessorio di taglio a livello con la protezione. Bloccare in posizione. Se il punto di sospensione è di tipo a rotazione libera, l'unità può tendere a sbilanciarsi lateralmente; tuttavia, è necessario livellare ugualmente l'accessorio e la protezione sull'asse anteriore-posteriore.
- ♦ In seguito al bilanciamento e al livellamento può essere necessario riposizionare il fermo e regolare le fascette della cinghia. All'occorrenza riequilibrare l'accessorio di taglio e la protezione montati sull'unità.

Installazione della batteria

⚠ AVVERTENZA

- L'accessorio è in funzione quando la batteria è inserita, il LED di alimentazione è acceso e l'interruttore a grilletto e il relativo fermo dell'interruttore a grilletto sono attivati. Assicurarsi che l'unità sia posizionata correttamente, per evitare di perdere il controllo e scongiurare il rischio di gravi infortuni. Mantenere le parti mobili dell'accessorio sollevate da terra e lontano da oggetti che potrebbero rimanere incastrati o essere lanciati.
- Rimuovere la batteria quando ci si allontana dall'unità.

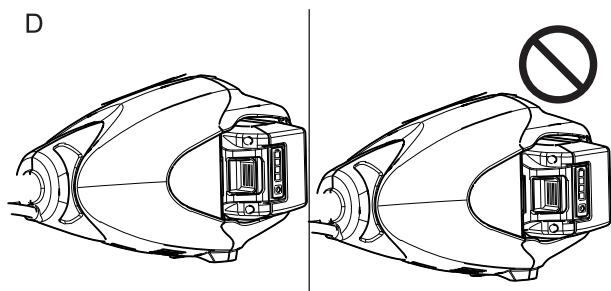
Prima di iniziare



1. Assicurarsi che l'unità sia disalimentata.
2. Allineare i bordi (A) del pacco batterie con le scanalature presenti sulla testa dell'unità. Inserire il pacco batterie all'interno della testa dell'unità.
3. Prima di azionare l'unità, accertarsi che il fermo sul pacco batterie (B) sia correttamente innestato nella sua sede e che il pacco batterie sia saldamente inserito nel suo alloggiamento.
4. Per estrarre la batteria, premere il pulsante di sgancio del pacco batteria (C) e quindi estrarre la batteria dalla testa dell'unità.

NOTA

- ♦ Il fermo del pacco batterie è in posizione di blocco quando questo appare correttamente inserito nella sua sede.



IMPORTANTE

Prima di utilizzare l'unità, assicurarsi che la batteria sia inserita correttamente, con pulsante di sgancio della batteria saldamente fissato nella posizione di blocco (D).

PERICOLO

- Le linee elettriche e i cavi aerei per le comunicazioni possono trasportare flussi di corrente con tensioni elevate. Questa unità non è isolata dalla corrente elettrica. Al fine di evitare il rischio di lesioni gravi o mortali, non toccare mai direttamente o indirettamente i cavi.

AVVERTENZA

- Non utilizzare l'unità in atmosfere esplosive, come ambienti saturi di liquidi, gas o polveri infiammabili. L'unità genera scintille, che possono incendiare polveri o fumi infiammabili.

Prestare particolare attenzione alle seguenti precauzioni quando si avvia l'unità:

- Controllare che non ci siano dadi o bulloni allentati.
 - Non lasciare chiavi o utensili di bloccaggio attaccati alla parte rotante dell'unità.
 - Lasciare sufficiente spazio intorno al prodotto e non permettere a persone o animali di avvicinarsi.
- La mancata osservanza di queste precauzioni può provocare incidenti, lesioni o perfino la morte.

- Quando l'unità è in funzione, assicurarsi che non ci siano vibrazioni o rumori anomali. Non utilizzare il prodotto se ci sono vibrazioni o rumori anomali. Contattare il rivenditore per la riparazione.

Incidenti che provocano la caduta o la rottura di componenti possono causare ferite o lesioni gravi.

- Prima di un eventuale trasporto, spegnere sempre l'unità e rimuovere la batteria.

- Non toccare la trasmissione angolare o altri componenti ad alta temperatura mentre il prodotto è acceso e subito dopo lo spegnimento.

Il contatto con componenti ad alta temperatura potrebbe causare ustioni.

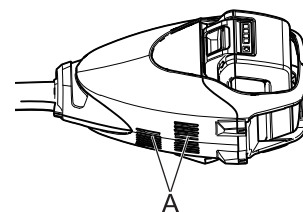


- Non utilizzare mai l'unità sporgendosi e mantenere sempre una posizione che garantisca un equilibrio ottimale; assicurarsi inoltre di avere sempre i piedi saldamente poggiati al suolo mentre si opera su tratti in pendenza o si cammina. Non correre durante l'uso dell'unità.

- Non utilizzare mai l'unità con protezioni o schermature difettose, oppure quando questa è priva di dispositivi di sicurezza, oppure ancora quando il filo è danneggiato o usurato.

IMPORTANTE

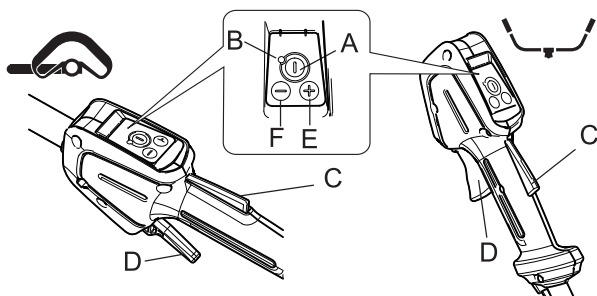
- Mantenere sempre pulite le feritoie di ventilazione (A).



Avvio dell'unità

AVVERTENZA

- L'accessorio è in funzione quando la batteria è inserita, il LED di alimentazione è acceso e l'interruttore a grilletto e il relativo fermo dell'interruttore a grilletto sono attivati. Assicurarsi che il prodotto sia posizionato correttamente, per evitare di perdere il controllo e scongiurare il rischio di gravi infortuni.



1. Verificare che l'accessorio di taglio non si trovi a contatto con la superficie del terreno o con qualsiasi altro impedimento, servendosi di un asse o attrezzo analogo.
2. Premere il pulsante di accensione (A) una volta, per accendere l'unità.
 - * Il LED di alimentazione (B) resta illuminato quando l'unità è accesa.
3. Tenere premuto il fermo dell'interruttore a grilletto (C) e premere l'interruttore a grilletto (D) per incrementare il regime di giri fino a raggiungere la corretta velocità di funzionamento.
4. Per aumentare la velocità, premere il pulsante + (E).
5. Per diminuire la velocità, premere il pulsante - (F).

Funzionamento

6. Sono disponibili tre velocità
7. Premendo il pulsante + (E) per un secondo, viene mantenuta la velocità.
8. Per variare la velocità, premere il pulsante +.

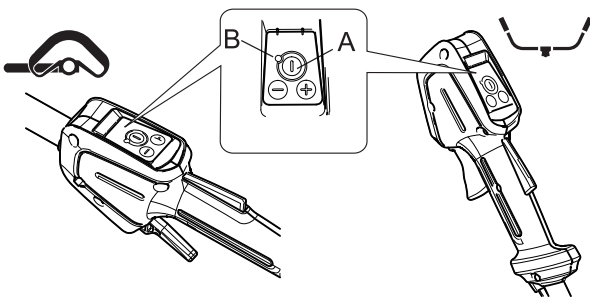
IMPORTANTE

- Quando l'unità è accesa:
 - Dopo 90 secondi l'unità si spegnerà automaticamente.
 - Se il LED rimane acceso, il funzionamento è normale.
 - Se il LED lampeggia una volta al secondo, è necessario sostituire la batteria.
 - Se il LED lampeggia quattro volte al secondo, significa che l'unità è guasta. Spegner l'unità. Rimuovere la batteria. Rimuovere ogni traccia di residui dalla testina a filo. Reinstallare la batteria. Rialimentare l'unità. Se il LED continua a lampeggiare, recarsi presso un centro di assistenza autorizzato per far riparare il prodotto.

Arresto dell'unità

AVVERTENZA

○ L'accessorio di taglio continua a funzionare per un breve periodo dopo lo spegnimento dell'unità.



1. Rilasciare l'interruttore a grilletto e il fermo dell'interruttore a grilletto, per arrestare la testa di taglio.
2. Premere il pulsante di accensione (A), per spegnere l'unità.
 - * Il LED di alimentazione (B) resta spento quando l'unità è spenta.
 - * Se la testa di taglio non si arresta quando vengono rilasciati l'interruttore a grilletto e il relativo fermo, premere il pulsante di accensione per spegnere l'unità e quindi rimuovere la batteria per disalimentare totalmente l'unità. Quindi, portare l'unità presso un centro di assistenza autorizzato per far riparare il pulsante di accensione, prima di utilizzare nuovamente prodotto.

PERICOLO

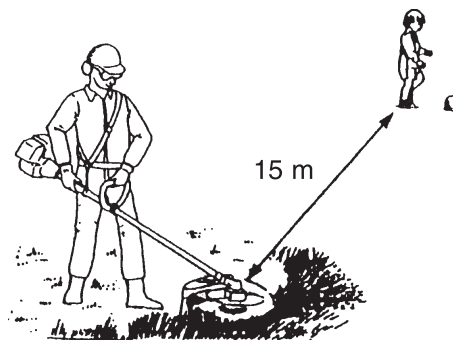
○ **Spegnere sempre l'unità e rimuovere la batteria quando l'accessorio di taglio si inceppa.**
Se durante la rimozione dell'inceppamento l'accessorio di taglio si avvia improvvisamente può causare gravi lesioni.

○ **Non utilizzare il prodotto senza protezione.**
Qualsiasi oggetto che rimbalza dall'accessorio di taglio può provocare un incidente o lesioni gravi.

○ **L'area nel raggio di 15 m dal prodotto deve essere considerata zona pericolosa. Osservare le seguenti precauzioni mentre si sta lavorando con il prodotto.**

- ◆ **Non permettere a bambini, altre persone o animali di entrare nella zona pericolosa.**
- ◆ **Se altre persone entrano nella zona pericolosa, spegnere l'unità per fermare la rotazione dell'accessorio di taglio.**
- ◆ **Prima di avvicinarsi all'utente, fargli prima un segnale, per esempio, gettando dei ramoscelli dall'esterno della zona pericolosa, quindi controllare che l'unità sia spenta e che l'accessorio di taglio sia fermo.**
- ◆ **Se più persone devono lavorare con il prodotto, trovare un modo per comunicare con il collega da una distanza di 15 m.**

Qualsiasi oggetto che rimbalza dall'accessorio di taglio e qualsiasi contatto con l'accessorio di taglio può causare cecità o morte.



AVVERTENZA

○ **Prima di iniziare a lavorare controllare l'area e rimuovere le pietre piccole e i recipienti vuoti che potrebbe rimbalzare dall'accessorio di taglio, e pezzi di lacci o fili che si potrebbero attorcigliare attorno ad esso.**

Corpi estranei rimbalzati dall'accessorio di taglio o fili e altri materiali attorcigliati attorno al prodotto potrebbero causare un incidente o lesioni gravi.



○ **Nelle seguenti situazioni spegnere l'unità immediatamente e assicurarsi che l'accessorio di taglio sia fermo prima di controllare qualsiasi parte del prodotto. Sostituire le parti danneggiate.**

- ◆ **Se l'accessorio di taglio urta contro una roccia, un albero, un palo o qualsiasi altra ostruzione mentre si sta lavorando.**
- ◆ **Se il prodotto comincia improvvisamente a vibrare in maniera anomala.**

Continuare a utilizzare parti danneggiate potrebbe provocare un incidente o lesioni gravi.

○ **Non sollevare l'accessorio di taglio durante il lavoro. Non lavorare con l'accessorio di taglio sollevato oltre il livello del ginocchio.**

Sollevando l'accessorio di taglio sopra il livello del ginocchio, il piano di rotazione si avvicinerebbe al viso ed eventuali oggetti potrebbero volare dall'accessorio di taglio causando un incidente o lesioni gravi.

Trasporto del prodotto

○ **Durante il trasporto nelle situazioni descritte di seguito, spegnere l'unità e assicurarsi che la lama bordatore sia ferma, quindi installare il relativo coprilama.**

- ◆ **Spostandosi verso il luogo in cui si sta lavorando.**
- ◆ **Spostandosi in un altro luogo mentre si sta lavorando.**
- ◆ **Lasciando il luogo in cui è stato eseguito il lavoro.**

○ **Durante il trasporto in automobile, rimuovere il pacco batteria dall'unità, installare il coprilama e fissare saldamente il prodotto per evitare che si muova durante il viaggio.**

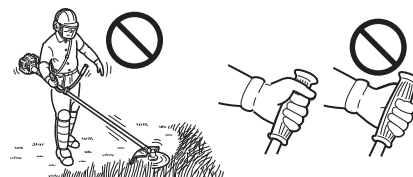
La mancata osservanza di queste precauzioni potrebbe causare scottature o lesioni gravi.

○ **Non tentare mai di utilizzare il prodotto con una mano sola.**

○ **Le dita e il pollice di ogni mano devono afferrare saldamente le impugnature.**

○ **Le impugnature e le superfici di presa devono essere sempre asciutte pulite e prive di olio e grasso.**

Impugnature e superfici di presa scivolose non consentono la gestione e il controllo dell'unità in situazioni impreviste.



Operazioni di taglio

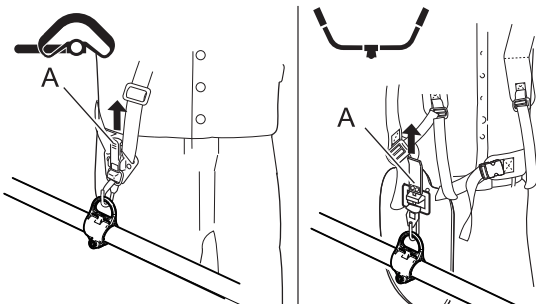
NOTA

- Se, dopo l'acquisto, l'attrezzo viene utilizzato per la prima volta in ambienti con basse temperature, in talune occasioni potrebbe non funzionare in maniera fluida e omogenea. Questo fenomeno non indica alcun guasto o malfunzionamento dell'attrezzo. In tal caso, sarà sufficiente attendere che l'attrezzo raggiunga la temperatura ambientale (temperatura normale) e quindi accenderlo e spegnerlo ripetutamente prima dell'uso.

Uso della cinghia a spalla

⚠ AVVERTENZA

- **Non indossare contemporaneamente imbracature a cinghia multiple o imbracature a spalla multiple.**
- **Quando si indossa un'imbracatura, gli altri indumenti non devono interferire con il rilascio e la rimozione dell'imbracatura.**
La mancata osservanza di queste precauzioni potrebbe causare incidenti o lesioni gravi.



Montare sempre il decespugliatore correttamente utilizzando la cinghia a spalla.

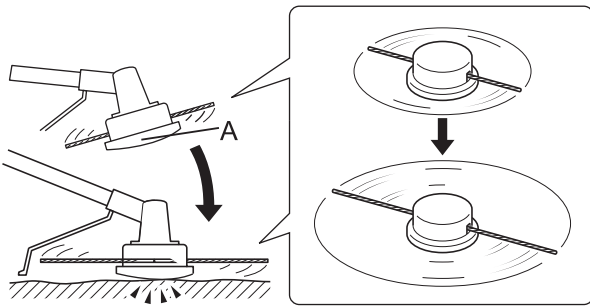
- ◆ Agganciare la cintura. Essa deve essere aderente.
- ◆ Agganciare il prodotto alla cinghia a spalla.
- ◆ **Versione con impugnatura ad anello**
Collocare la cinghia sulla spalla sinistra e regolare le fascette in modo che la spina a sgancio rapido rimanga immediatamente sotto la vita.
- ◆ **Versione con impugnatura a U**
Collocare la cinghia su entrambe le spalle e regolare le fascette in modo che il punto di connessione si agganci come mostrato in figura.
- ◆ Verificare la corretta regolazione muovendo l'accessorio di taglio sul terreno.
- ◆ Se necessario, regolare nuovamente la posizione del punto di sospensione.
- ◆ La cinghia a spalla è dotata di una funzione di rilascio di emergenza.
 - ◆ In caso di incendio o altra emergenza, tirare la linguetta di emergenza (A) per staccare il prodotto dal corpo.

Funzionamento base del taglio con testina a filo di nylon

⚠ AVVERTENZA

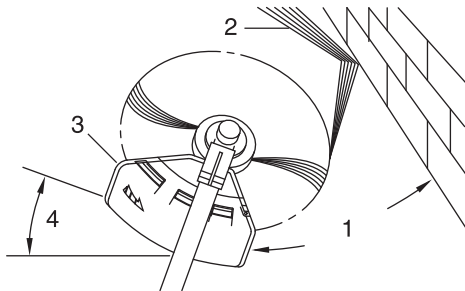
- **L'uso improprio dell'accessorio di taglio può causare lesioni gravi. Leggere e osservare le istruzioni per la sicurezza riportate in questo manuale.**
- **Non utilizzare con una lama danneggiata.**
- **Utilizzare solo accessori di taglio raccomandati da YAMABIKO Corporation.**
- **In seguito alla regolazione della lunghezza del filo, il filo di nylon superfluo che si estende oltre il coltello tagliafilo potrebbe volare via quando l'accessorio di taglio che lo contiene inizia a girare.**
La mancata osservanza di queste precauzioni potrebbe causare incidenti o lesioni gravi.

Regolazione del filo di nylon



- ♦ Il coltello tagliafilo sulla protezione regola automaticamente i fili tagliandoli in modo uniforme quando l'accessorio inizia a ruotare.
- ♦ Quando si lavora con una lunghezza di taglio inferiore alla massima, tagliare i due fili di nylon alla stessa lunghezza.
- ♦ Per far avanzare il filo del tosaerba, picchiare la testa di taglio del filo di nylon (A) contro il terreno mentre la testa ruota alla normale velocità di funzionamento.

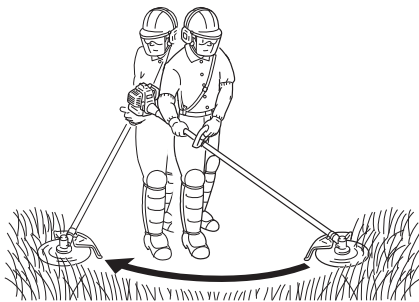
Taglio



- ♦ Consiste nell'inserimento attento del decespugliatore nel materiale da tagliare. Inclinare leggermente la testa per indirizzare i detriti lontano dal corpo. Se il taglio viene eseguito fino a una barriera, quale una recinzione, un muro o un albero, avvicinarsi da un'angolazione tale per cui i detriti che rimbalzano dall'ostacolo non vengano contro l'utente.
- ♦ Muovere la testina a filo di nylon lentamente finché l'erba non è stata tagliata fino alla barriera, ma non insistere troppo con il filo. Se si esegue il taglio lungo una rete, prestare attenzione a non avvicinarsi troppo. Se il filo è troppo lungo va ad avvolgersi e ad impigliarsi con la rete.
- ♦ Il taglio serve anche per tagliare un gambo di erbacce alla volta. Mettere la testina a filo di nylon accanto alla base del fascio, mai in alto, dove l'erbaccia potrebbe vibrare ed impigliarsi nel filo. Anziché tagliare completamente le erbacce, tagliare lentamente il gambo con la punta del filo.

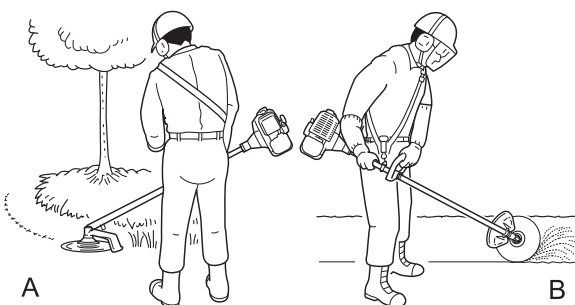
1. Angolo con il muro
2. Detriti
3. Lato lama alzato
4. Angolo con il suolo

Falciatura



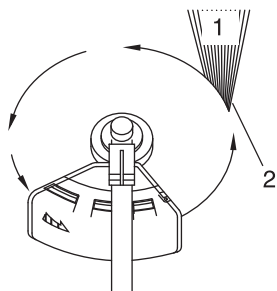
- ♦ Si tratta del taglio di aree erbose piuttosto estese, eseguito descrivendo un arco con il decespugliatore, con un movimento lento e uniforme, senza cercare di appiattire o tranciare l'erba. Inclinare leggermente la testina a filo di nylon per indirizzare i detriti lontano dal corpo nella corsa di falciatura. Quindi tornare indietro senza tagliare l'erba e iniziare un'altra corsa. Se si è ben protetti e quindi non ci si deve preoccupare dei detriti ricevuti addosso, è possibile falciare in entrambe le direzioni.

Rasatura al suolo e rifilatura



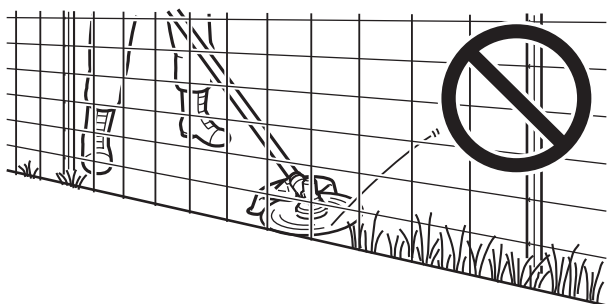
- ♦ Entrambe vengono eseguite con la testina a filo di nylon ad angolo acuto. La rasatura al suolo (A) consente di eliminare la crescita, lasciando solo la base di terra. La rifilatura (B) consiste nell'eliminare la crescita dell'erba da un'area pavimentata o da un vialetto. Durante entrambe le operazioni, tenere l'unità a un angolo acuto in una posizione per cui i detriti ed eventuali rifiuti o pietre scalzati non tornino verso l'utente anche rimbalzando contro la superficie dura.
- ♦ Sebbene le illustrazioni mostrino come radere al suolo e rifinire, ciascun utente deve individuare autonomamente l'inclinazione più adatta al suo corpo e al taglio desiderato.

Operazioni di taglio

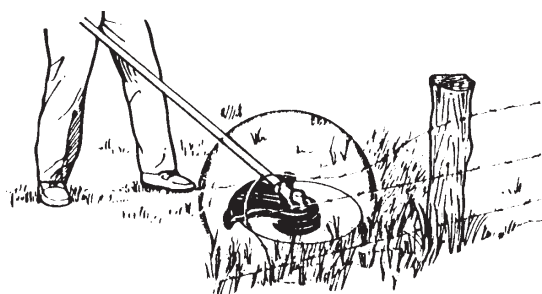


- ♦ Per quasi ogni tipo di taglio è buona pratica inclinare la testina a filo di nylon in modo che il contatto avvenga sulla sezione del cerchio tracciato dal filo quando si sposta lontano dall'utente e dalla protezione (vedere la figura corrispondente). In questo modo, i detriti vengono scagliati lontano dall'utente.
- ♦ Inclinando la testina in direzione errata, l'utente fa volare i detriti verso il proprio corpo. Se la testina a filo di nylon viene tenuta piatta rispetto al suolo in modo che il taglio abbia luogo su tutto il cerchio tracciato, i detriti saranno scagliati verso l'utente, la resistenza farà rallentare l'unità con un elevato consumo di filo.
- ♦ La testina a filo di nylon ruota in senso antiorario. Il coltello si trova sul lato sinistro della protezione.

1. Detriti
2. Tagliare da questo lato



- ♦ Non spingere il filo tra erbacce robuste, alberi o reti metalliche.
- ♦ Quando si spinge il filo in reti zincate leggere o recinzioni in tessuto metallico o fitta vegetazione, l'utente rischia di venire colpito dalle estremità spezzate del filo. Il metodo corretto consiste nel tagliare fino a un ostacolo come quelli già accennati, senza mai permettere che il filo entri o penetri nell'ostacolo. Non tagliare vicino a ostacoli o barriere.



- ♦ Evitare che il filo di nylon venga a contatto con la rete metallica. I pezzi di rete spezzata dal decespugliatore possono essere scagliati ad alta velocità.

Funzionamento base del taglio con disco metallico

AVVERTENZA

- Durante il taglio, attenersi alle seguenti istruzioni.
 - ◆ Verificare che la lama bordatore sia serrata saldamente in posizione.
 - ◆ Sostituire la protezione in caso di danni o incrinature.
 - ◆ Sostituire il dado delle lame del bordatore se usurato.
 - ◆ Non inserire la lama nel suolo.
 - ◆ Non lavorare con una lama non affilata, piegata, fratturata o scolorita e un dado usurato o danneggiato.



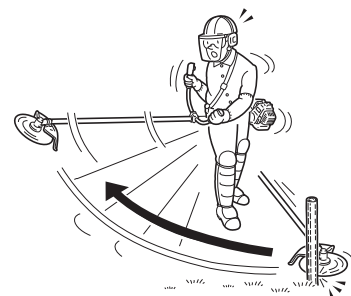
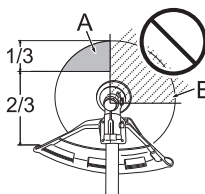
La mancata osservanza di queste precauzioni potrebbe causare un incidente o lesioni gravi.

- Utilizzare solo accessori di taglio raccomandati da YAMABIKO Corporation. YAMABIKO CORPORATION declina qualsiasi responsabilità per guasti a dispositivi di taglio Accessorio, o ad accessori non collaudati e non approvati da YAMABIKO per l'uso con questa unità.
- Il tipo di lama utilizzato deve essere adeguato per il tipo e dimensione del materiale da tagliare. Una lama inadatta o poco affilata può causare gravi lesioni personali. Le lame devono essere affilate. Le lame scarsamente affilate comportano un maggiore rischio di contraccolpi e infortuni dell'operatore e di eventuali persone presenti.
 - ◆ È possibile usare lame per erba/erbacce di plastica/nylon laddove venga utilizzata la testina a filo di nylon. Non adoperare questa lama per cespugli o erbacce di grandi dimensioni.
 - ◆ Il disco a tre lame è stato realizzato appositamente per falciare erbacce ed erba. Per evitare lesioni causate da contraccolpo o dalla rottura del disco non utilizzare il disco a tre lame per segare cespugli o alberi.
 - ◆ 8 La lama dentata per l'erba/erbacce è progettata per falciare erba, detriti da giardino ed erbacce di grandi dimensioni. Non usare questa lama per il taglio di cespugli o grossi arbusti legnosi, dal diametro di 19 mm o superiore.
 - ◆ La lama a 22 denti è progettata per segare sterpaglia e alberelli, fino a un diametro di 64 mm.
 - ◆ La lama a 80 denti è progettata per tagliare cespugli e arbusti legnosi fino a un diametro di 13 mm.

L'utilizzo di lame danneggiate o rovinate può causare incidenti e lesioni gravi.

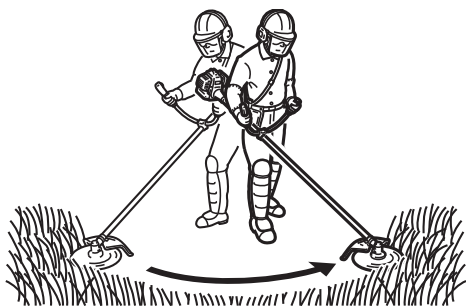
Contraccolpo

- Il fenomeno che si verifica se l'accessorio di taglio entra in contatto con un albero, un palo, una roccia o altri oggetti duri mentre sta girando ad alta velocità e reagisce indietreggiando fortemente e all'improvviso, è noto come contraccolpo.
- Il contraccolpo è estremamente pericoloso perché può provocare la perdita di controllo del prodotto.
- In particolare, se il quadrante anteriore destro della lama del bordatore (B) colpisce un arbusto o un altro oggetto simile, causa un brusco ritorno all'indietro verso destra.
- Per prevenire i contraccolpi, non tagliare da sinistra verso destra. Evitare di colpire oggetti duri con la lama bordatore.
- Tagliare l'oggetto impegnando solo 1/3 della superficie complessiva della lama, calcolato dal bordo anteriore sinistro (A).



La mancata osservanza di queste istruzioni potrebbe provocare lesioni o la morte.

Falciatura dell'erba



- ◆ Viene eseguita facendo oscillare l'accessorio di taglio in guisa di arco sul piano orizzontale. Consente di ripulire in tempi brevi erba ed erbacce. La falciatura non è indicata per tagliare erbacce resistenti o di grosso diametro oppure vegetazione legnosa.
- ◆ Se un ramoscello o un arbusto si avvolge intorno all'accessorio di taglio, non utilizzare quest'ultimo come leva per eliminare l'inzeppamento, poiché in questo modo si provoca la rottura dell'accessorio.
- ◆ Arrestare invece l'unità e spingere il ramoscello o l'arbusto per liberare le lame.

Manutenzione e cura

⚠ AVVERTENZA

Osservare le seguenti precauzioni durante il controllo e la manutenzione del prodotto dopo l'uso:

○ **Spegnere l'unità, rimuovere la batteria e assicurarsi che tutte le parti in movimento si siano completamente arrestate.**

Un avvio imprevisto del prodotto potrebbe causare un incidente.

○ **Prima di eseguire le operazioni di manutenzione, far raffreddare l'unità.**

L'esecuzione di interventi a motore caldo può causare ustioni.

○ **Mai effettuare la manutenzione di pacchi batteria danneggiati. La manutenzione dei pacchi batteria deve essere effettuata esclusivamente dal produttore o da addetti all'assistenza autorizzati.**

IMPORTANTE

○ Il controllo e la manutenzione richiedono competenze specializzate. In caso di problemi o difficoltà durante il controllo o la manutenzione del prodotto o la riparazione in caso di guasto, consultare il proprio rivenditore. Non tentare di smontare il prodotto.

Guida alla manutenzione

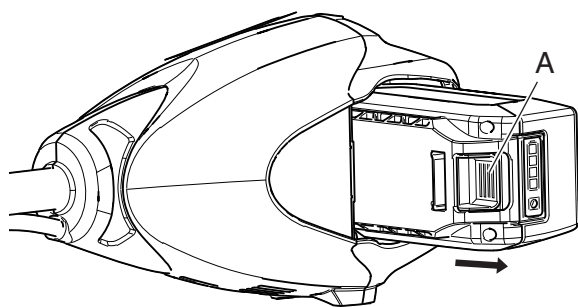
Parte	Manutenzione	Pagina	Prima dell'uso	Mensilmente
Batteria	Ispezionare/pulire/caricare	10	•	
Trasmissione angolare	Aggiungere del grasso	22		•*
Coltello tagliafilo	Ispezionare/pulire	-	•	
Viti, bulloni e dadi	Ispezionare/serrare/sostituire	-	•	

* o 50 ore, scegliendo l'intervallo inferiore.

Manutenzione e cura

In caso di dubbi o problemi, contattare il rivenditore.

Pulitura della batteria e dello scomparto batterie

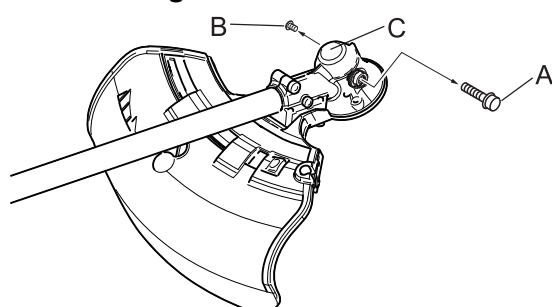


⚠ AVVERTENZA

○ **Rischio di scosse elettriche o incendio. Non utilizzare materiali conduttivi per pulire la batteria o lo scomparto batterie.**

1. Rilasciare l'interruttore a grilletto e il fermo dell'interruttore a grilletto, per arrestare la testa di taglio.
2. Assicurarsi che il LED di alimentazione non sia illuminato.
3. Premere il pulsante di sgancio della batteria (A) e quindi estrarre la batteria dalla testa dell'unità.
4. Utilizzare aria compressa o una spazzola a setole morbide per rimuovere gli eventuali residui presenti sulla batteria e nello scomparto batteria.

Trasmissione angolare



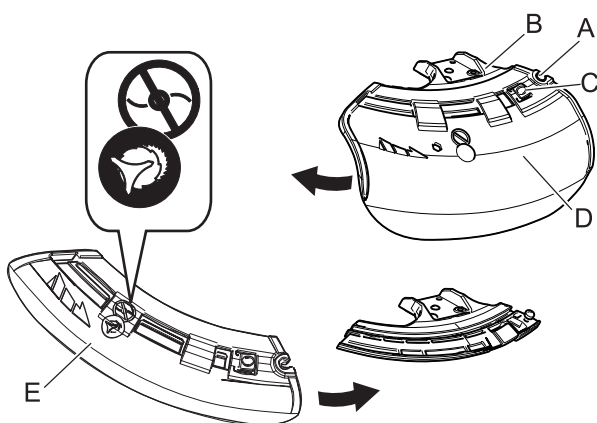
1. Rimuovere il tappo (A) e la vite di scarico (B) dalla trasmissione angolare (C).
2. Aggiungere del grasso nella trasmissione fino a quando quello esausto non inizia ed essere espulso. Se necessario, utilizzare una pompa a bassa pressione.

NOTA

○ Usare grasso multiuso al litio di buona qualità.

3. Applicare nuovamente la vite di scarico e il tappo.

Procedura di sostituzione della protezione



♦ Esistono due tipi di protezioni: nella fattispecie, una viene utilizzata esclusivamente per la testina a filo di nylon e l'altra esclusivamente per il disco metallico. Quando si utilizza il disco metallico, servirsi della protezione corrispondente.

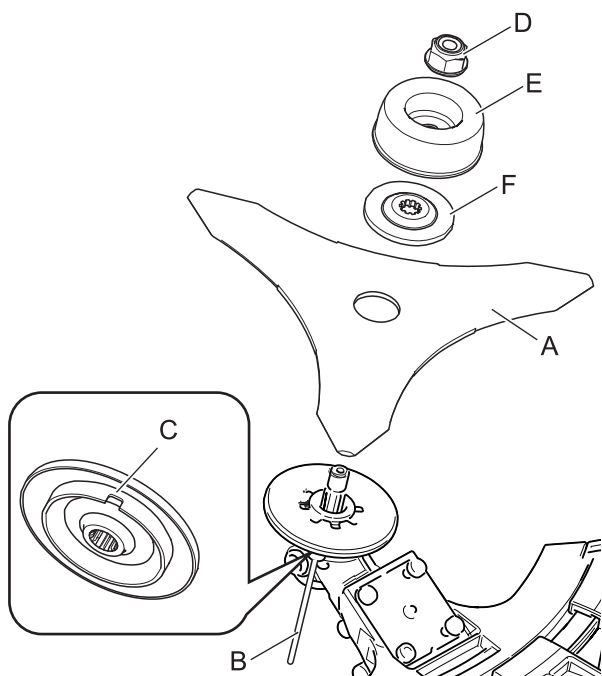
1. Allentare completamente il bullone (A) sul lato destro del supporto (B) per far scorrere la protezione. Il bullone stesso non può essere rimosso dal supporto.
2. Spingendo il pulsante (C), far scorrere la protezione (D) verso sinistra e toglierla.
3. Collocare la protezione dell'altro tipo (E) nella scanalatura e farla scorrere verso destra fino all'arresto. Non dimenticare di serrare il bullone.

Montaggio della lama (opzione)

⚠ AVVERTENZA

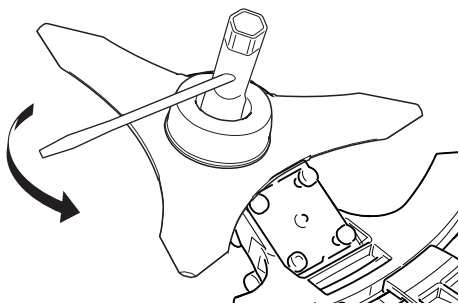
- Indossare guanti protettivi durante l'uso della lama bordatore.
- Quando si sostituisce la lama bordatore durante un'operazione di taglio, accertarsi che l'unità sia spenta e che le lame si siano arrestate.
- Non tentare di montare la lama bordatore con una mano o senza utilizzare la chiave a tubo. Montare accuratamente la lama bordatore utilizzando la chiave a tubo in dotazione e serrare saldamente in posizione.
- Per serrare la lama, non utilizzare altri strumenti se non la chiave a tubo in dotazione; attrezzi elettrici o pneumatici possono serrare eccessivamente la lama e causare la rottura del dado o dell'alberino di uscita.
- Se si utilizza un dado e una sottocoppa usurati per la lama, questa potrebbe allentarsi. Sostituirli con componenti nuovi.

La mancata osservanza di queste precauzioni potrebbe causare lesioni o incidenti gravi.



1. Ispezionare le lame (A) prima del montaggio. Verificare che siano affilate. Un'affilatura scadente aumenta il rischio di reazioni da contraccolpo della lama. Le piccole incrinature possono trasformarsi in rotture, che fanno saltare via una parte della lama durante il funzionamento. Scartare i dischi incrinati a prescindere dalle dimensioni dell'incrinatura.
2. Inserire l'utensile di bloccaggio (B) in un foro situato sul lato destro della trasmissione angolare, forzando al contempo la molla porta disco sul lato sinistro.
3. Inserire l'utensile di bloccaggio nell'asola per il bloccaggio del fermo della lama (C) per fissare l'alberino di uscita.
4. Utilizzando la chiave a tubo, rimuovere il dado (D), il sottocoppa (E) e il fermo della lama inferiore (F).
5. Serrare saldamente la lama, il fermo inferiore della lama, il sottocoppa, e il dado manualmente.

Manutenzione e cura

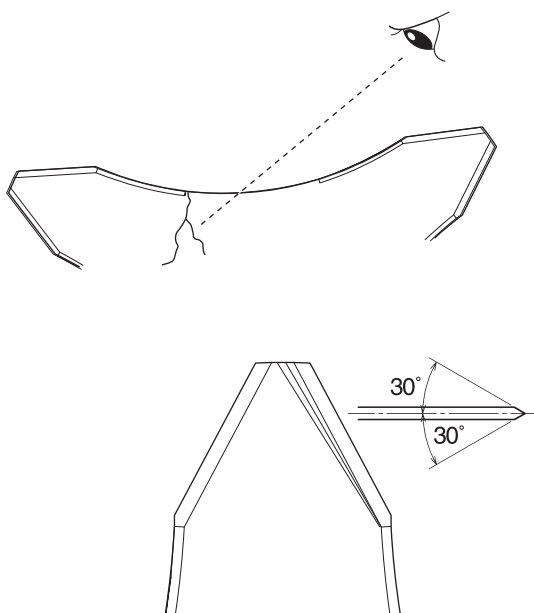


⚠ ATTENZIONE

○ Fissare saldamente l'alberino di uscita con l'utensile di bloccaggio per impedire la rotazione dell'alberino di uscita durante il montaggio della lama. Altrimenti, il dado di fissaggio della lama non verrà serrato sufficientemente.

6. Serrare il dado, ruotando in senso antiorario, servendosi di una chiave a tubo. Non serrare mai applicando il proprio peso, per evitare di danneggiare la filettatura del dado.
7. Smontare l'utensile di bloccaggio.

Verifica della lama



- ◆ Utilizzare solo lame raccomandate per questo modello dal fabbricante.
- ◆ Non usare lame incrinate, ma sostituirle con lame nuove.
- ◆ Verificare che la lama sia correttamente montata in conformità alle istruzioni.

- ◆ Quando la lama perde l'affilatura a causa dell'usura, girarla per poterla usare ancora.
- ◆ Quando la lama è danneggiata o piegata le vibrazioni aumentano. Sostituirla con una nuova.
- ◆ Affilare le tre lame in maniera uniforme utilizzando l'apposita lima piatta come mostrato nell'illustrazione. Altrimenti viene compromesso il bilanciamento e aumentano le vibrazioni.

Caricamento del filo di nylon

⚠ PERICOLO

○ Spegner l'unità, rimuovere la batteria e accertarsi che la testina a filo di nylon abbia smesso di ruotare, prima di iniziare la procedura di sostituzione.

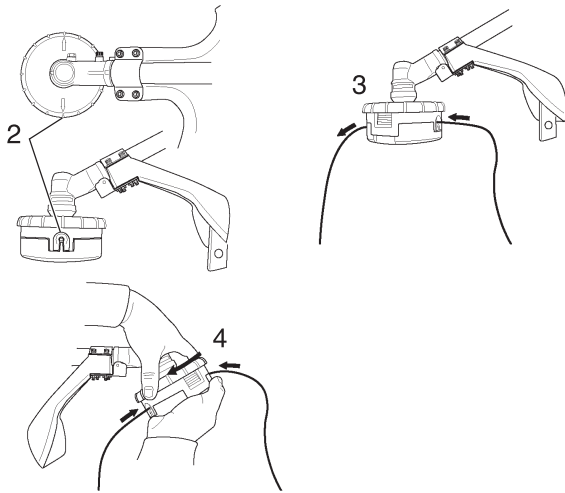
La mancata osservanza di queste precauzioni potrebbe causare un incidente o lesioni gravi.

⚠ AVVERTENZA

○ Usare solo filo flessibile non metallico raccomandato da YAMABIKO Corporation.

La mancata osservanza di queste precauzioni potrebbe causare incidenti o lesioni gravi.

Manutenzione e cura



1. Tagliare un pezzo di filo della lunghezza indicata.
 - ♦ 2.4 mm dia. - 3,5 m
2. Allineare le frecce sul pomello con le aperture degli occhielli.
3. Inserire un'estremità del filo di nylon in un occhiello e spingerlo attraverso la testina a filo di nylon in modo da ottenere una lunghezza uguale su entrambi i lati.
4. Tenere ferma la testina a filo di nylon e girare il pomello in senso orario per avvolgere il filo sulla bobina, lasciando esposti circa 13 cm di filo su ciascun lato.



1. Indicatori di usura

Problemi tecnici

IMPORTANTE

Quando gli indicatori di usura che si trovano sotto la testina di taglio a filo di nylon sono completamente lisci e usurati, è necessario sostituire il coperchio o l'intera testina di taglio a filo di nylon.

IMPORTANTE

- Per i pezzi di ricambio e gli articoli di consumo, utilizzare solo parti originali, prodotti e componenti raccomandati. L'utilizzo di ricambi di altri produttori o componenti non raccomandati potrebbe provocare guasti.

Manutenzione e cura

Problema	Causa	Rimedio
La spia rossa del caricabatterie lampeggia oppure non si illumina	<ol style="list-style-type: none">1. Spina non collegata alla presa muro2. Pacco batterie non installato correttamente3. Collegamento ostruito4. Anomalia nel caricabatterie5. Anomalia nel pacco batterie	<ol style="list-style-type: none">1. Collegare il caricabatterie all'alimentazione2. Controllare l'installazione del pacco batterie3. Reinstallare il pacco batterie dopo aver rimosso le ostruzioni dal collegamento.4. Consultare il rivenditore5. Consultare il rivenditore
L'unità non si accende	<ol style="list-style-type: none">1. Pacco batterie non installato correttamente	<ol style="list-style-type: none">1. Controllare l'installazione del pacco batterie
L'unità non funziona dopo l'accensione	<ol style="list-style-type: none">1. Pacco batterie scarico2. La testina a filo è ostruita3. La temperatura del pacco batterie è superiore ai valori considerati accettabili	<ol style="list-style-type: none">1. Caricare il pacco batterie2. Spegner l'unità e pulire l'accessorio di taglio3. Rimuovere il pacco batterie e farlo raffreddare
Tempo di funzionamento troppo breve	<ol style="list-style-type: none">1. La temperatura del pacco batterie è superiore ai valori considerati accettabili2. I componenti elettronici sono surriscaldati3. Pacco batterie scarico	<ol style="list-style-type: none">1. Rimuovere il pacco batterie e farlo raffreddare2. Spegner l'unità e attendere che si raffreddi3. Caricare il pacco batterie
Il filo non si inserisce	<ol style="list-style-type: none">1. Filo insufficiente sulla bobina2. Filo impigliato nella bobina	<ol style="list-style-type: none">1. Riavvolgere con un filo nuovo2. Svolgere e riavvolgere il filo
Il filo non riesce a tagliare	<ol style="list-style-type: none">1. Il coltello tagliafilo nella protezione è danneggiato o mancante	<ol style="list-style-type: none">1. Consultare il rivenditore

- ♦ In caso di problemi non menzionati nella tabella consultare il proprio rivenditore.
- ♦ Contattare il proprio rivenditore per smaltire il prodotto o parti di esso in conformità alle leggi nazionali.

Produttore:

YAMABIKO CORPORATION

1-7-2 Suehirocho, Ohme, Tokyo 198-8760 GIAPPONE

Rappresentante autorizzato in Europa:

CERTIFICATION EXPERTS B.V.

Amerlandseweg 7, 3621 ZC Breukelen, Paesi Bassi

Rimessaggio

 AVVERTENZA	
<p>○ Non stoccare in un contenitore in cui potrebbero accumularsi fumi infiammabile. Ciò potrebbe provocare un incendio.</p>	

Quando si conserva il prodotto per un lungo periodo, assicurarsi di effettuare le seguenti operazioni di preparazione.

Unità motore

1. Spegner l'unità.
2. Rimuovere la batteria dalla testa dell'unità.
3. Rimuovere eventuali accumuli di sporco e detriti dalle parti esterne dell'unità.
4. Serrare tutte le viti e i dadi.
5. Coprire lo scomparto batteria della testa dell'unità, la batteria e il caricabatterie.
6. Conservare l'unità in un luogo asciutto e privo di polvere, lontano dalla portata dei bambini.

Batteria

1. Rimuovere la batteria dalla testa dell'unità.
2. Conservare in un luogo asciutto e privo di polvere, lontano dalla portata dei bambini.
3. Conservare a temperature comprese tra -20 °C e 60 °C.
4. Se la batteria deve restare inutilizzata per oltre un anno, ricaricarla fino al 40 - 60 % della capacità.

Caricabatterie

1. Rimuovere la batteria dal caricabatterie.
2. Scollegare il caricabatterie dall'alimentazione di rete.
3. Conservare in un luogo asciutto e privo di polvere, lontano dalla portata dei bambini.

Smaltimento



- ♦ I componenti principali di plastica del prodotto presentano dei codici che indicano i materiali che li costituiscono. I codici fanno riferimento ai seguenti materiali; smaltire questi componenti di plastica in conformità alla legislazione locale.

Contrassegno	Materiale
>PA6-GF<	Nylon 6 - Fibra di vetro
>PP-GF<	Polipropilene - Fibra di vetro
>PE-HD<	Polietilene
>PP<	Polipropilene

- ♦ Contattare il proprio concessionario per ottenere informazioni sulle modalità di smaltimento dei componenti in plastica.
- ♦ La batteria contiene litio. Eseguire lo smaltimento soltanto presso uno dei punti di raccolta designati.
- ♦ Le batterie agli ioni di litio devono essere riciclate o smaltite correttamente.

Caratteristiche tecniche

	DSRM-2600	
	L	U
Dimensioni esterne: Lunghezza × Larghezza × Altezza	1896 × 332 × 275 mm	1896 × 669 × 593 mm
Massa: Unità senza batteria, accessorio di taglio e protezione Unità con batteria, accessorio di taglio specificato, protezione e cinghia	3,2 kg 6,0 kg	3,7 kg 6,9 kg
Accessorio di taglio: Testa di taglio linea di nylon (passaggio taglio) Filettatura Dimensioni del filo di nylon (diametro) Lunghezza del filo di nylon	SF400 (406) Filettatura sinistrorsa M10×1,25 (passo) 2,4 mm 3,5 m	
Carter ingranaggi: Rapporto ingranaggi e lubrificazione Senso di rotazione dell'alberino di uscita visto dall'alto frequenza massima di rotazione del mandrino	1,62 riduzione e grasso al litio di buona qualità Senso antiorario 5700 min ⁻¹	
Batteria: Tipo Pacco in tensione Tipo caricabatterie Tensione di ingresso caricabatterie	Ioni di litio 56 Volt (nominale, 50,4 V) CCCV 220 - 240 Volt c.a.	
Spie del caricabatterie:	LED Rosso: la temperatura della batteria ha superato i valori di temperatura prestabiliti LED Rosso lampeggiante: malfunzionamento LED Verde: ricarica batteria completata LED Verde lampeggiante: la ricarica procede normalmente	
Tempo di carica:	(con LCJQ-560) Batteria LBP-560-100: Circa 42 minuti. Batteria LBP-560-200: Circa 88 minuti.	
Livelli di vibrazioni: (EN50636-2-91)	Impugnatura anteriore 1,3 m/s ² Impugnatura posteriore 1,5 m/s ² Incertezza 1,5 m/s ²	Impugnatura sinistra 2,1 m/s ² Impugnatura destra 1,4 m/s ² Incertezza 1,5 m/s ²
Livello pressione acustica: (EN50636-2-91) Livello potenza acustica: (EN50636-2-91) Incertezza	78,5 dB(A) 92,6 dB(A) 3,0 dB(A)	80,7 dB(A) 91,0 dB(A) 3,0 dB(A)
Livello di potenza acustica garantito: (2000/14/EC, Allegato VI)	96 dB(A)	96 dB(A)

Queste specifiche possono subire modifiche senza preavviso.

Le vibrazioni e le emissioni rumorose durante l'uso effettivo dell'unità possono variare rispetto ai valori dichiarati a seconda del modo di utilizzo dell'attrezzo e in particolare in base al tipo di pezzo trattato.

Dichiarazione di conformità

Il produttore sottoscritto:

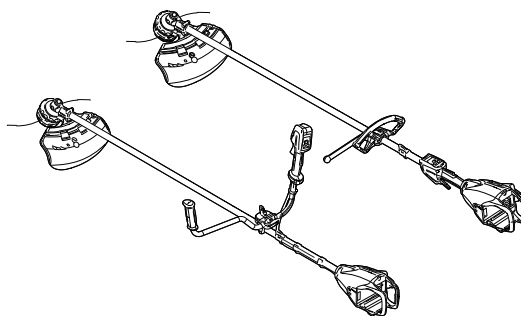
YAMABIKO CORPORATION
1-7-2 Suehirocho Ohme, Tokyo 198-8760 GIAPPONE

La presente dichiarazione di conformità viene rilasciata sotto la responsabilità esclusiva del produttore.

Dichiara che la nuova unità di seguito descritta:

DECESPUGLIATORE/BORDATORE

Marchio: ECHO
Tipo: DSRM-2600



È conforme a:

- * i requisiti richiesti dalla Direttiva **2006/42/CE** (uso di norma armonizzata **EN ISO 11806-1:2011, EN 60335-1:2012 +A11: 2014, EN 50636-2-91:2014**)
- * Requisiti richiesti dalla Direttiva **2014/30/UE** (uso della norma armonizzata **EN 55014-1: 2017 +A11: 2020, 2015 EN 55014-2:2015**)
- * i requisiti richiesti dalla Direttiva **2000/14/CE** modificato da **2005/88/EC**

Seguita procedura di valutazione della conformità **ALLEGATO VI**

TÜV SÜD Industrie Service GmbH (Organismo notificato 0036)
Westendstraße 199 80686 München Deutschland

Livello di potenza acustica misurato: 92,2 dB(A) Rundgriff, 91,4 dB(A) U-Griff

Livello di potenza acustica garantito: 96 dB(A)

- * requisiti richiesti dalla Direttiva **2011/65/EU** (uso della norma armonizzata **EN IEC63000: 2018**)

Numero di serie da U49735001001 a U49735100000

Tokyo, 27 gennaio 2022

YAMABIKO CORPORATION



Hisashi Kobayashi

Direttore generale
Reparto Garanzia di qualità

Rappresentante autorizzato in Europa a costituire il fascicolo tecnico.

Azienda: CERTIFICATION EXPERTS B.V.

Indirizzo: Amerlandseweg 7, 3621 ZC Breukelen, Paesi Bassi

Mr. Richard Glaser

YAMABIKO CORPORATION
1-7-2 Suehirocho, Ohme, Tokyo 198-8760 GIAPPONE
TELEFONO: 81-428-32-6118. FAX: 81-428-32-6145.



X750816-3801



ES ESPAÑOL
(Instrucciones originales)

MANUAL DE INSTRUCCIONES CORTABORDES/DESBROZADORA DSRM-2600

ADVERTENCIA



LEA ATENTAMENTE LAS INSTRUCCIONES Y SIGA LAS INDICACIONES PARA UN FUNCIONAMIENTO SEGURO.
DE NO HACERLO, PODRÍA SUFRIR LESIONES GRAVES.

Contenido

Para una utilización segura del producto.....	3
Descripción	8
Antes de comenzar	9
Lista de piezas.....	9
Carga de la batería	10
Montaje	11
Versión con manillar único.....	11
Versión con manillar doble	11
Ajuste del equilibrio	13
Instalación de la batería	13
Funcionamiento	15
Encendido de la unidad	15
Detención de la unidad	16
Funcionamiento del recorte de bordes	17
Uso del arnés	18
Funcionamiento básico del recorte de bordes con el cabezal de corte de hilo de nylon.....	18
Funcionamiento básico del recorte de bordes con la cuchilla metálica.....	21
Mantenimiento y cuidados	22
Directivas de asistencia	22
Mantenimiento y cuidados	22
Almacenamiento	26
Eliminación	27
Características técnicas.....	28
Declaración de conformidad	29

Para una utilización segura del producto

Información importante

⚠ ADVERTENCIA

Asegúrese de leer el manual de instrucciones antes de utilizar el producto.

Acerca del manual de instrucciones

- Este manual proporciona la información necesaria para el montaje, funcionamiento y mantenimiento de esta máquina. Léalo atentamente y asimile su contenido.
- Mantenga siempre el manual en un lugar fácilmente accesible.
- Si ha extraviado el manual o está dañado y no es posible leerlo, por favor adquiera uno nuevo en su distribuidor.
- Las unidades utilizadas en este manual son unidades SI (sistema internacional de unidades). Las cifras que aparecen entre paréntesis son valores de referencia y, en algunos casos, puede haber un ligero error de conversión. Si no lo hace, podría producirse un accidente o una lesión grave.

Uso al que está destinado este producto

- Este producto es una máquina ligera de alto rendimiento, diseñada para controlar el crecimiento de las malas hierbas y cortar los bordes en áreas difíciles de controlar con otros medios.
- No utilice este aparato para ningún otro propósito distinto de los mencionados anteriormente.
- El contenido de este manual puede sufrir cambios sin previo aviso debido a actualizaciones del producto. Algunas de las ilustraciones utilizadas pueden ser diferentes al propio producto para hacer más claras las explicaciones.
- Consulte con su distribuidor si hay algo que no esté claro o le preocupe. Si no lo hace, podría producirse un accidente o una lesión grave.

No modifique el producto

- No debe modificar el producto. De hacerlo, podría provocar un accidente o una lesión grave. Cualquier error resultante de una modificación del producto no estará cubierto por la garantía del fabricante.

No utilice el producto a no ser que haya sido comprobado y se le haya realizado el mantenimiento

- No debe utilizar el producto a no ser que haya sido comprobado y se le haya realizado el mantenimiento. Asegúrese siempre de comprobar el producto y de realizar regularmente el mantenimiento. Si no lo hace, podría producirse un accidente o una lesión grave.

Préstamo o asignación del producto

- Cuando preste el producto a una tercera persona, asegúrese de que la persona que toma prestado el producto recibe también el manual de instrucciones.
- Si asigna el producto a una tercera persona, adjunte el manual de instrucciones con el producto cuando haga la entrega. Si no lo hace, podría producirse un accidente o una lesión grave.

Usuarios del producto

- El producto no podrá ser utilizado por:
 - ◆ personas que estén cansadas
 - ◆ personas que hayan consumido alcohol
 - ◆ personas que estén tomando medicación
 - ◆ mujeres embarazadas
 - ◆ personas que estén en una mala condición física
 - ◆ personas que no hayan leído el manual de instrucciones
 - ◆ niños
- Tenga presente que el operador o usuario es responsable de los accidentes o peligros ocasionados a terceras personas o a su propiedad. Si no sigue estas instrucciones podría provocar un accidente.
- Los componentes de esta máquina generan un campo electromagnético durante su funcionamiento, lo que podría interferir con algunos marcapasos. Para reducir los riesgos para la salud, recomendamos a los usuarios de marcapasos que consulten a su médico y al fabricante del marcapasos antes de utilizar este producto.



Para una utilización segura del producto

ADVERTENCIA

Las vibraciones y el frío

- Se cree que puede contraerse una enfermedad llamada fenómeno de Raynaud, que afecta a los dedos de ciertos individuos, si está expuesto a vibraciones y frío. La exposición a las vibraciones y al frío puede causar cosquilleo y quemazón en los dedos, seguido de pérdida de color y sensación de dedos dormidos. Se recomiendan las siguientes precauciones, ya que se desconoce cuál es la exposición mínima que desencadena esta dolencia.
 - ◆ Mantenga el cuerpo caliente, especialmente la cabeza y el cuello, los pies y los tobillos y las manos y las muñecas.
 - ◆ Mantenga una buena circulación sanguínea realizando vigorosos ejercicios con los brazos durante frecuentes descansos y también no fumando.
 - ◆ Limite el número de horas de trabajo. Intente también hacer cada día trabajos en los que no sea necesario usar el cortabordes u otros equipos eléctricos de sujeción manual.
 - ◆ Si experimenta molestias, rojez o hinchazón de los dedos, seguidos de una pérdida de sensación y emblaquecimiento de los mismos, consulte con su médico antes de volver a exponerse al frío y a las vibraciones.
- Si no tiene en cuenta estas instrucciones podría perjudicar su salud.

Lesiones por esfuerzos repetitivos

- Se cree que un uso excesivo de los músculos y tendones de los dedos, manos, brazos y hombros puede causar dolores, hinchazones, adormecimiento, entumecimiento, debilidad y dolores extremos en los mismos. Ciertas actividades repetitivas de las manos pueden suponer un alto riesgo para el usuario de desarrollo de lesiones debidas a esfuerzos repetitivos (RSI). Para reducir el riesgo de lesiones por RSI:
 - ◆ Evite colocar la muñeca en posición doblada, extendida o torcida.
 - ◆ Tómese descansos periódicos para minimizar la repetición y deje descansar las manos. Reduzca la velocidad y fuerza con la que hace el movimiento repetitivo.
 - ◆ Haga ejercicios que fortalezcan los músculos de las manos y de los brazos.
 - ◆ Consulte a su médico si siente cosquilleos, adormecimiento o dolor en los dedos, manos, muñecas o brazos. Cuanto antes se diagnostiquen lesiones por RSI, más probabilidades tendrá de prevenir daños permanentes en los nervios y músculos.
- Si no tiene en cuenta estas instrucciones podría perjudicar su salud.

Formación adecuada

- No permita que nadie utilice este producto sin la formación adecuada ni equipos de protección.
 - Familiarícese al máximo con los controles y el uso adecuado de esta máquina.
 - Aprenda a detener la máquina y a desconectar el motor.
 - Aprenda a desenganchar rápidamente la unidad conectada.
 - No permita bajo ningún concepto que nadie use este producto sin la debida formación.
- Si no tiene en cuenta estas instrucciones podría perjudicar su salud.

Utilice indumentaria adecuada.

- Si lleva el pelo largo, recójase por encima de los hombros.
 - No utilice corbatas, joyería o ropa floja o colgante que pueda quedar atrapada en la unidad.
 - No utilice calzado con la puntera abierta ni vaya descalzo o sin perneras.
- Si no tiene en cuenta estas precauciones, podrían derivarse daños en la visión o en la audición o dar lugar a una lesión grave.



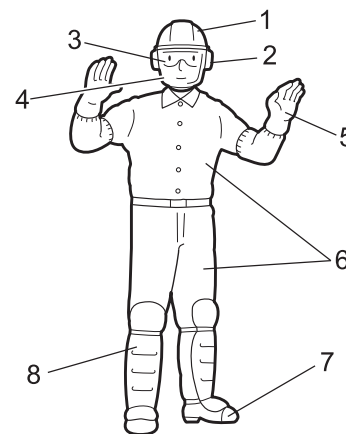
Póngase indumentaria de protección

- Póngase siempre la ropa de protección siguiente cuando trabaje con el cortabordes.

1. Protección para la cabeza (casco): Protege la cabeza
2. Orejeras o tapones para los oídos: Protegen los oídos
3. Gafas de seguridad: Protegen los ojos
4. Careta: Protege la cara
5. Guantes de seguridad: Protegen las manos del frío y la vibración
6. Ropa de trabajo ajustada (mangas y pantalones largos): Protege el cuerpo
7. Botas protectoras antideslizantes y pesadas (con punteras) o zapatos de trabajo antideslizantes (con punteras): Protegen los pies
8. Protectores para las espinillas: Protegen las piernas

Si no tiene en cuenta estas precauciones, podrían derivarse daños en la visión o en la audición o dar lugar a una lesión grave.

- En caso necesario, utilice la ropa de protección descrita a continuación.
 - ◆ Mascarilla para el polvo: Protege el aparato respiratorio
 - ◆ Red para abejas: Para hacer frente a ataques de abejas



Para una utilización segura del producto

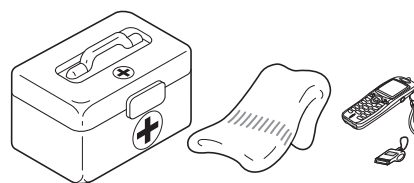
ADVERTENCIA

Condiciones de uso y de funcionamiento




- No utilice el producto:
 - ◆ en lugares mojados o húmedos.
 - ◆ si llueve.
 - ◆ en condiciones meteorológicas adversas.
 - ◆ sobre pendientes inclinadas o en lugares en los que no exista un apoyo firme para los pies y el terreno sea resbaladizo.
 - ◆ de noche o en lugares oscuros con mala visibilidad.
 - ◆ si hay riesgo de rayos.
- Cuando utilice el producto en una pendiente suave, trabaje con un movimiento nivelado similar al contorno. Si se cae o se resbala podría sufrir una lesión grave, o bien no lograr que el producto funcione correctamente.
- Por cuestiones de salud, seguridad y comodidad del trabajo, trabaje con la máquina en un intervalo de temperatura del aire de -5 °C a 40 °C.
Si no tiene en cuenta estas instrucciones podría perjudicar su salud.

Preparación en caso de sufrir una lesión


- En el improbable caso de sufrir un accidente o lesión, asegúrese de estar preparado.
 - ◆ Kit de primeros auxilios
 - ◆ Paños y toallas (para detener cualquier hemorragia)
 - ◆ Silbato o teléfono móvil (para solicitar ayuda externa)
- Si no es capaz de realizar los primeros auxilios o de pedir ayuda externa, la lesión podría empeorar.





Avisos de advertencia

 PELIGRO	 ADVERTENCIA	 PRECAUCIÓN
Este símbolo acompañado por la palabra " PELIGRO " llama la atención sobre una acción o sobre unas condiciones que causarán heridas personales importantes o incluso la muerte al operario y a los transeúntes.	Este símbolo acompañado por la palabra " ADVERTENCIA " llama la atención sobre una acción o sobre unas condiciones que pueden causar heridas personales importantes o incluso la muerte al operario y a los transeúntes.	" PRECAUCIÓN " indica una situación potencialmente peligrosa que, si no se evita, puede provocar heridas leves o moderadas.











Otros indicadores

	El círculo con barra oblicua prohíbe la acción o uso de los objetos mostrados.	NOTA	IMPORTANTE
		Este mensaje enmarcado proporciona consejos para el uso, cuidado y mantenimiento del equipo.	El texto enmarcado con la palabra " IMPORTANTE " contiene información importante relativa al uso, comprobación, mantenimiento y almacenamiento del producto descrito en este manual.

Símbolos

Forma/silueta del símbolo	Descripción/aplicación del símbolo	Forma/silueta del símbolo	Descripción/aplicación del símbolo
	Leer atentamente el manual de instrucciones		Extraer la batería antes de realizar el mantenimiento y cuidados
	Utilizar protección para los ojos, orejas y cabeza		Mantener a los transeúntes a una distancia de 15 m

Para una utilización segura del producto

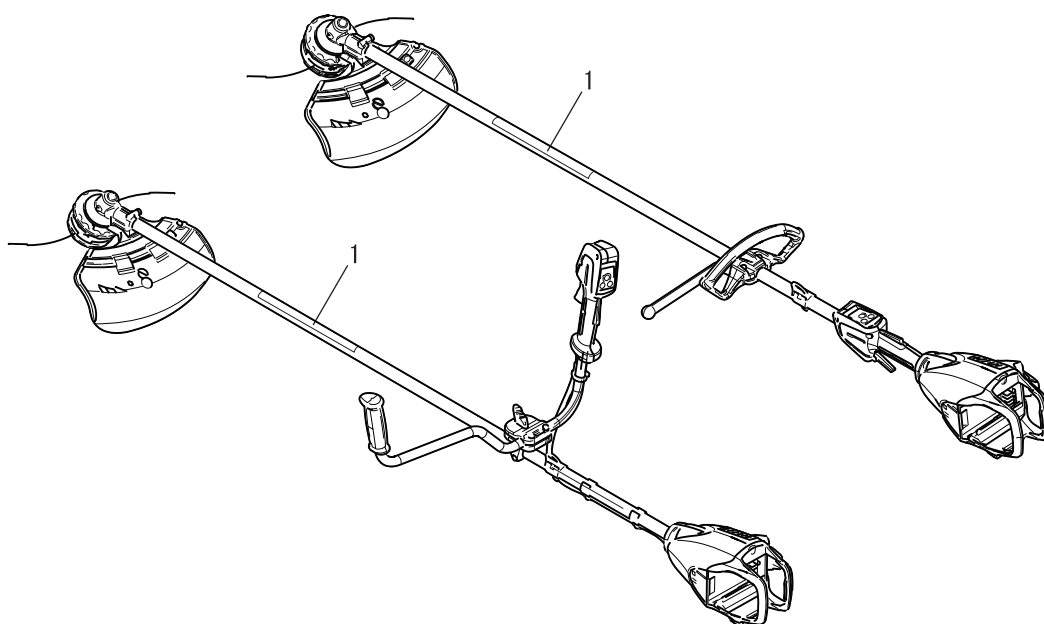
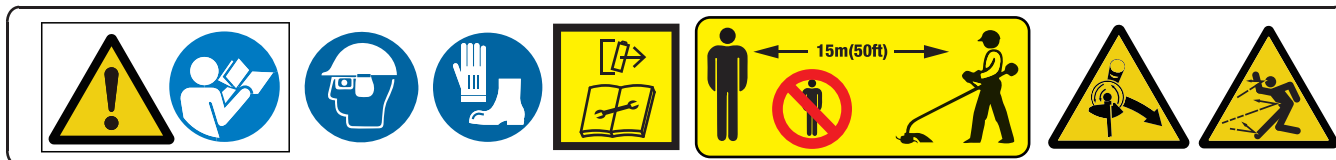
Forma/silueta del símbolo	Descripción/aplicación del símbolo	Forma/silueta del símbolo	Descripción/aplicación del símbolo
	¡Atención! Empuje hacia el lado		Utilizar calzado y guantes de protección
	Seguridad/Alerta		Precaución con las zonas a alta temperatura
	¡Advertencia! ¡Objetos expulsados!		Nivel de potencia acústica garantizado
	Prohibido el uso de cuchillas metálicas		Prohibido el uso de cabezales de corte de hilo de nailon
	Cuidado con el fuego		No tirar los aparatos eléctricos a la basura
<u>IPX4</u>	Protección contra salpicaduras de agua		

Para una utilización segura del producto

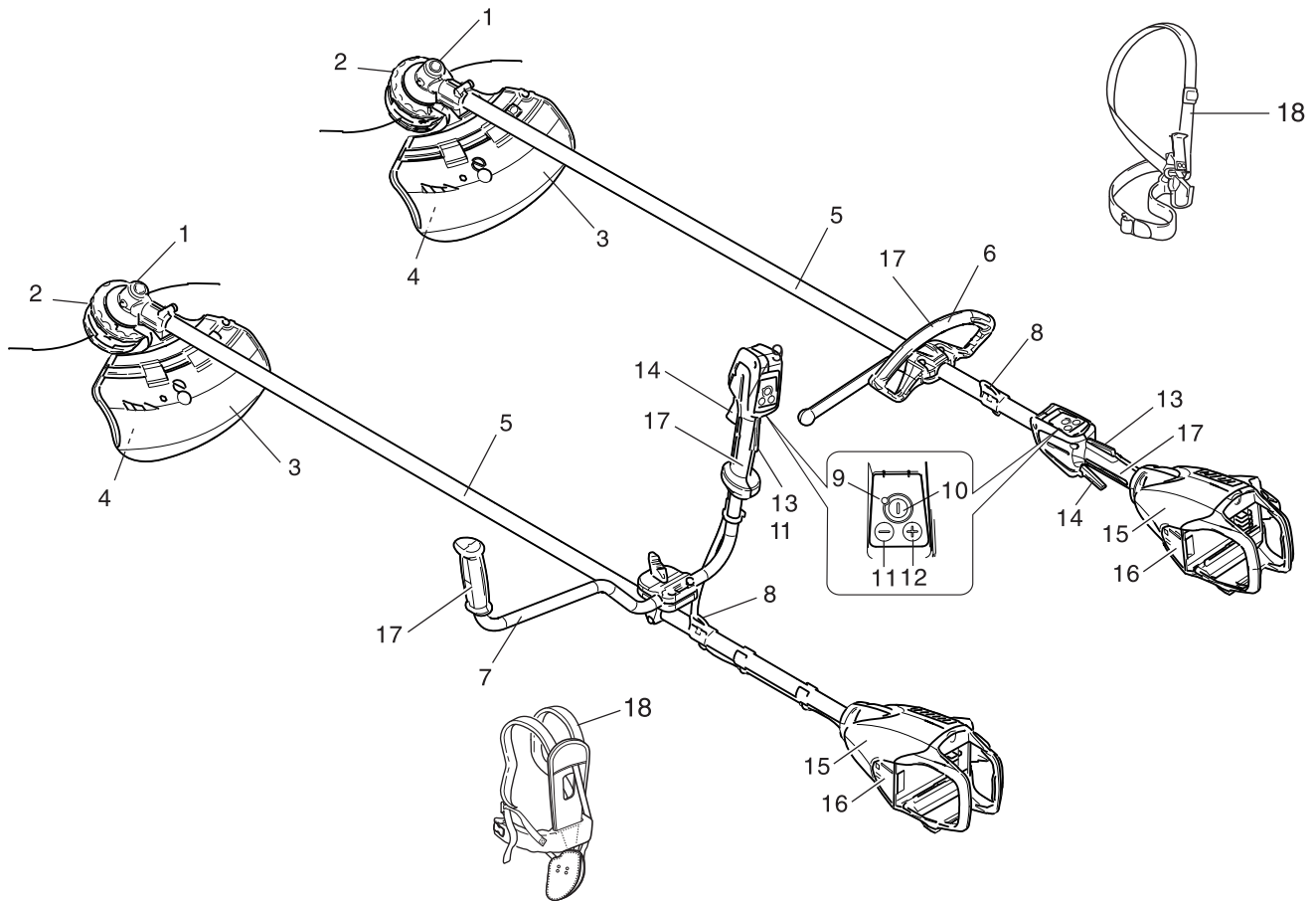
Adhesivo(s) de seguridad

- Los productos descritos en este manual incorporan el adhesivo de seguridad mostrado a continuación. Asegúrese de comprender el significado del adhesivo antes de utilizar el producto.
- Si el adhesivo se ha deteriorado debido al desgaste, está dañado o se ha despegado y perdido, adquiera un adhesivo de reemplazo en su distribuidor y colóquelo en la ubicación mostrada en las ilustraciones que aparecen a continuación. Asegúrese de que el adhesivo sea siempre legible.

1. Adhesivo de seguridad (Número de pieza X505-011600)



Descripción

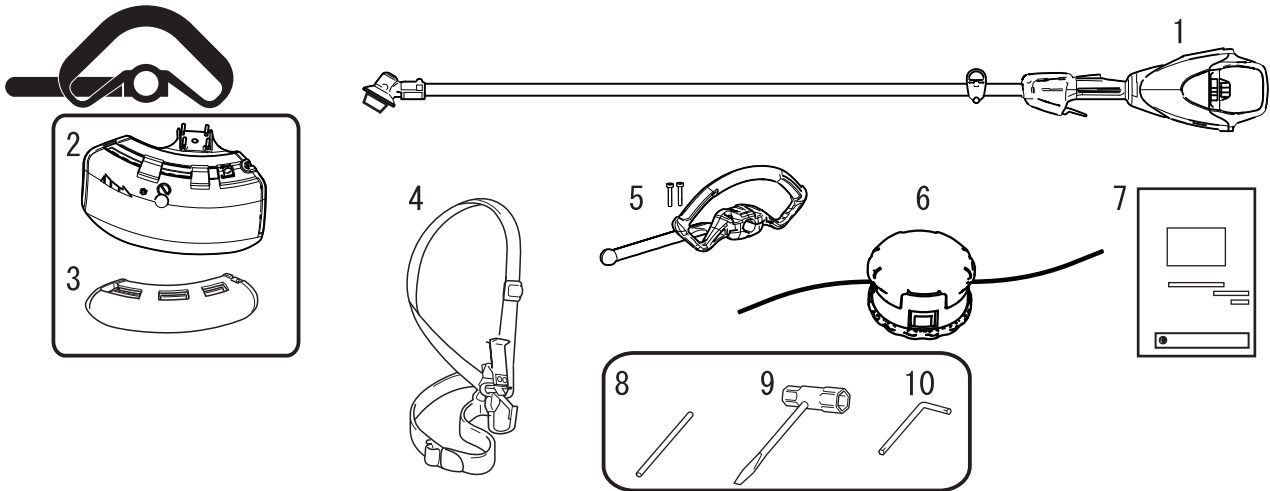


1. **Transmisión en ángulo** Con dos engranajes para cambiar el ángulo del eje giratorio.
2. **Accesorio de corte** Cabezal con hilo de nailon para cortar césped y malas hierbas.
3. **Escudo** Dispositivo para proteger al usuario de un contacto accidental con el cabezal de corte o con los objetos lanzados por el mismo.
4. **Cuchillo de corte** Corta el hilo de nailon para ajustar la longitud del mismo.
5. **Tubo del eje** Pieza del equipo que contiene el eje de transmisión de potencia.
6. **Manillar único** Liger y adecuado para el equipo con cabezal de hilo de nailon.
7. **Manillar doble** Tiene la configuración de un manillar de bicicleta, reduciendo el esfuerzo de trabajo si se compara con el manillar único.
8. **Punto de suspensión** Dispositivo al que puede engancharse el arnés.
9. **Indicador LED de alimentación** - Permanece iluminado cuando la alimentación de la unidad está encendida. Se apaga cuando lo hace la alimentación.
10. **Botón de encendido** - Púlselo una vez para encender la unidad; el indicador LED de alimentación se ilumina. Púlselo una vez más para detener la unidad; el indicador LED de alimentación se apaga.
11. **Botón -**
12. **Botón +**
13. **Bloqueo del interruptor de gatillo** - Bloquea el gatillo en la posición de apagado, hasta que su mano derecha agarre bien el manillar.
14. **Interruptor de gatillo** - Se acciona con el dedo y sirve para encender el motor.
15. **Cabezal de alimentación** - Alojamiento del motor y la batería.
16. **Tipo y número de serie**
17. **Superficie de agarre**
18. **Arnés** - Una tira ajustable de la que se cuelga el equipo.

Antes de comenzar

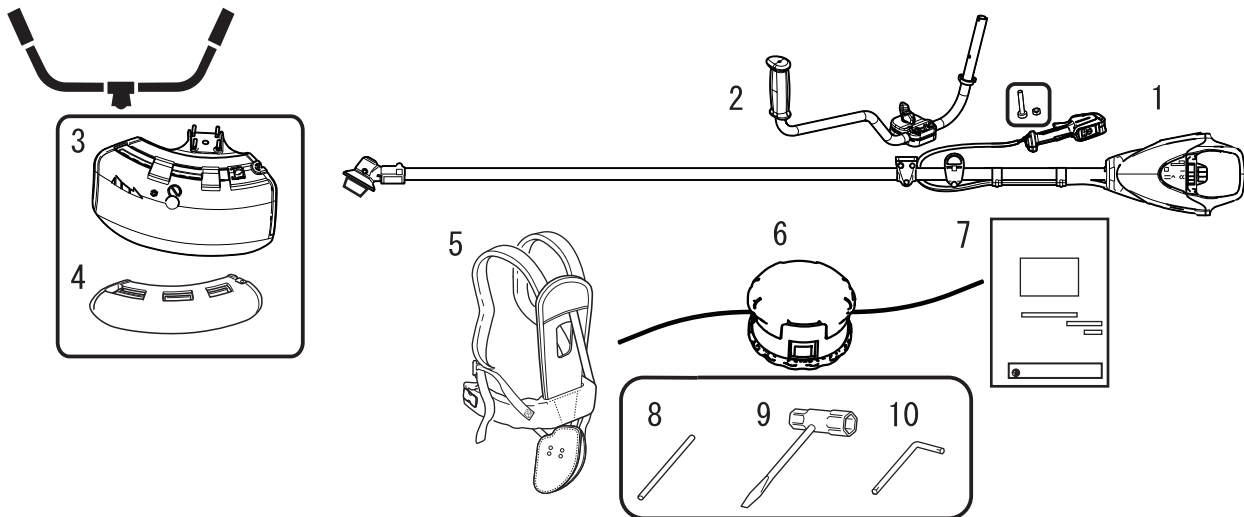
Lista de piezas

- En la caja de embalaje están empaquetadas de forma separada las siguientes piezas.
- Cuando haya desempaquetado la caja, compruebe que contenga las siguientes piezas.
- Póngase en contacto con su distribuidor si falta alguna o está rota.



1. Motor y tubo del eje
2. Escudo (para el cabezal de corte de hilo de nailon)
3. Escudo (para la cuchilla metálica)
4. Arnés
5. Manillar único

6. Cabezal de corte de hilo de nailon
7. Manual de instrucciones
8. Herramienta de bloqueo
9. Llave tubular
10. Llave de palanca



1. Motor y tubo del eje
2. Manillar doble
3. Escudo (para el cabezal de corte de hilo de nailon)
4. Escudo (para la cuchilla metálica)
5. Arnés

6. Cabezal de corte de hilo de nailon
7. Manual de instrucciones
8. Herramienta de bloqueo
9. Llave tubular
10. Llave de palanca

Antes de comenzar

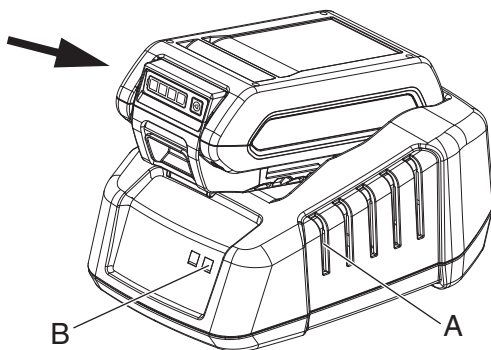
Carga de la batería

⚠ ADVERTENCIA

- Utilice siempre los packs de baterías LBP-560-100/LBP-560-200 y cárguelos solo con el cargador LCJQ-560 o LCJU-560.
- Mantenga el cargador y las baterías alejados de la humedad y de todos los líquidos.
- No utilice el cargador en superficies fácilmente combustibles (por ejemplo, papel, textiles) o en entornos combustibles con alto riesgo de incendio.
- No cubra el cargador. Si lo hace, impedirá que se enfríe.
- No utilice el cargador en atmósferas explosivas, como en las que se encuentran líquidos inflamables, gases o polvo. Los cargadores pueden generar chispas que podrían encender el polvo o los gases; existe riesgo de explosión.
- Conecte el cargador solo a la tensión y frecuencia especificadas en la placa de características.
- Conecte el cargador únicamente a una toma de pared de fácil acceso.
- No introduzca objetos en las ranuras de refrigeración del pack de baterías o del cargador (A).
- No cargue o use un pack de baterías y cargador defectuosos, dañados o deformados.
- No abra, dañe ni deje caer el pack de baterías o el cargador.
- Si se daña o no se utiliza correctamente, pueden producirse fugas de líquido de la batería; evite el contacto con la piel. Si se produce un contacto accidental, lave las áreas afectadas de la piel con agua abundante y jabón. Si el líquido entra en contacto con los ojos, no se frote. Lávese los ojos con agua abundante durante un mínimo de 15 minutos. Asimismo, solicite asistencia médica.
- No puentee (cortocircuite) los contactos del pack de baterías o los terminales del cargador con objetos metálicos.
- Proteja de la luz solar directa, el calor y las llamas abiertas. No arroje la batería al fuego; existe riesgo de explosión.
- Si observa humo o fuego en el cargador, desconéctelo de la red inmediatamente.
- Si el cable de conexión está dañado, desenchúfelo inmediatamente de la toma de alimentación para evitar el riesgo de descargas eléctricas.
- No exponga el pack de baterías a microondas o altas presiones.
- Asegúrese de que la unidad no se encienda de forma accidental. Retire el pack de baterías antes de transportar o guardar la unidad. No utilice recipientes metálicos para el transporte de baterías.
- No utilice el cable de conexión para ningún otro fin, por ejemplo, para transportar o colgar el cargador.
- Para reducir el riesgo de tropiezos, coloque y marque el cable de conexión de forma que otras personas no puedan dañarlo ni correr peligro con él.
- Para desconectar, tire del enchufe, no del cable.

NOTA

- La batería se suministra de fábrica parcialmente cargada y debe cargarse completamente antes de su primer uso.
- Cargue la batería cuando deje de producir energía suficiente para accionar la unidad o cuando las luces de la batería indiquen que su carga es baja.

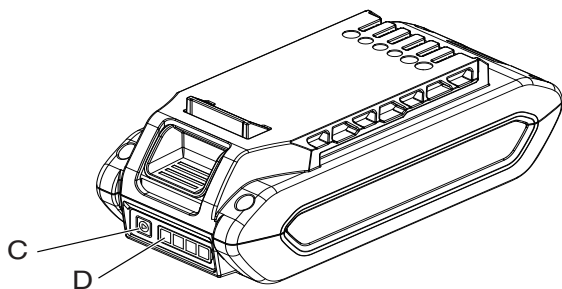


1. Enchufe el cable de CA del cargador en la toma de pared.
2. Alinee los canales de la batería con las muescas del cargador y deslice la batería dentro de este.
3. Durante la carga normal, el LED (B) del cargador parpadea continuamente en VERDE.

IMPORTANTE

- Si el cargador detecta un problema, el LED parpadea de color ROJO. Extraiga la batería del cargador, limpie las obstrucciones de los contactos y vuelva a colocar la batería en el cargador. Si la temperatura de la batería está fuera de los límites aceptables (de 0 °C a 60 °C), el LED permanece de color ROJO.

Antes de comenzar



4. Cuando la carga se completa, el LED permanece de color VERDE.
5. Verifique que la batería esté totalmente cargada antes de extraerla del cargador pulsando el botón de estado de carga de la batería (C) y comprobando la pantalla LED (D).
 - ♦ Una luz verde indica que la batería tiene un 0-25% de carga.
 - ♦ Dos luces verdes indican que la batería tiene un 25-50% de carga.
 - ♦ Tres luces verdes indican que la batería tiene un 50-75% de carga.
 - ♦ Cuatro luces verdes indican que la batería tiene un 75-100% de carga.
6. Desconectar el cargador de la batería de la toma de corriente.

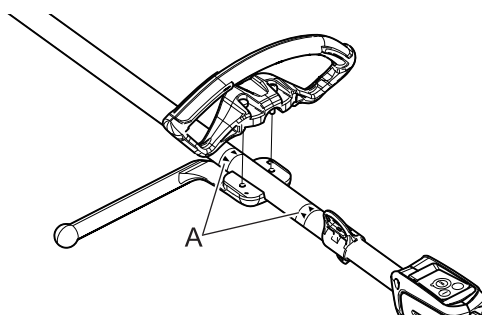
Montaje

⚠ ADVERTENCIA

- Lea atentamente el manual de instrucciones para asegurarse de que monta correctamente el producto.
La utilización de un producto que se haya montado incorrectamente puede ocasionar un accidente o una lesión grave.



Versión con manillar único Montaje del manillar único

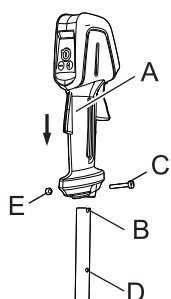


Coloque el manillar en una posición cómoda para su uso y apriete los pernos.

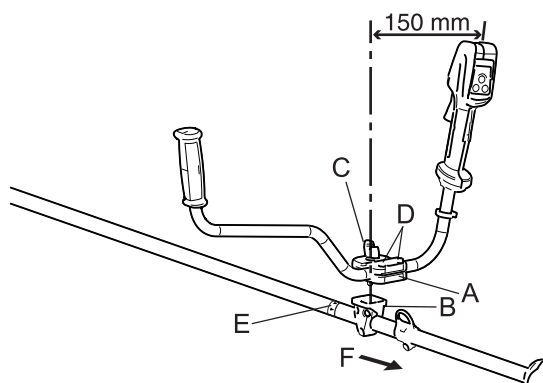
⚠ PRECAUCIÓN

- Instale el manillar entre las marcas (A).

Versión con manillar doble Versión con manillar doble



1. Deslice el lado derecho del manillar en el puño del acelerador (A) y ajústelo en la ranura (B) para evitar que gire.
2. Coloque el puño del acelerador de modo que el perno (C) pase a través del tope (D).
3. Apriete el tornillo y la tuerca (E).



1. Coloque el soporte de montaje del manillar superior (A) sobre el soporte de montaje del manillar inferior (B) y fíjelo apretando ligeramente el perno de montaje del manillar (C).
 2. Ajuste la inclinación del manillar y colóquelo en la posición adecuada (la que le facilite el uso de la unidad) y apriete firmemente el perno de montaje del manillar.
- * Procedimiento para ajustar el perno del dispositivo de sujeción (D) (según sea necesario)
- (1) Apriete los pernos hasta que queden ajustados.
 - (2) Afloje los pernos 1 vuelta y $\frac{1}{2}$.

E: Flecha

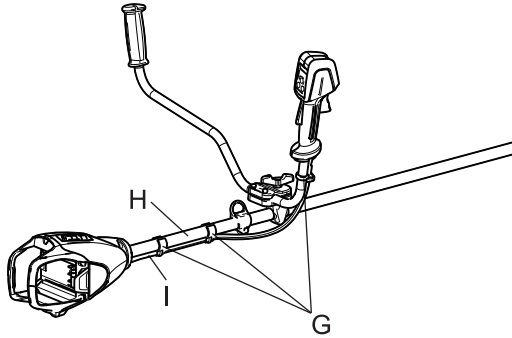
Antes de comenzar

F: Al cabezal de alimentación

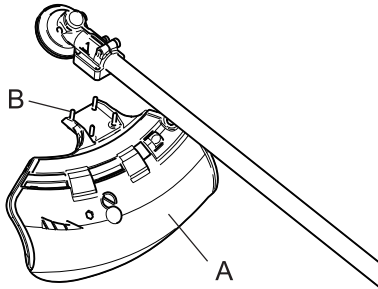
⚠ PRECAUCIÓN

○ Instale el manillar hacia el lado del cabezal de alimentación a partir de la marca de flecha.

3. Para evitar que el cable (I) quede suelto, sujételo en el tubo del eje (H) (en dos sitios) y en la parte derecha del manillar doble (1 sitio) con clips para la fijación (G).

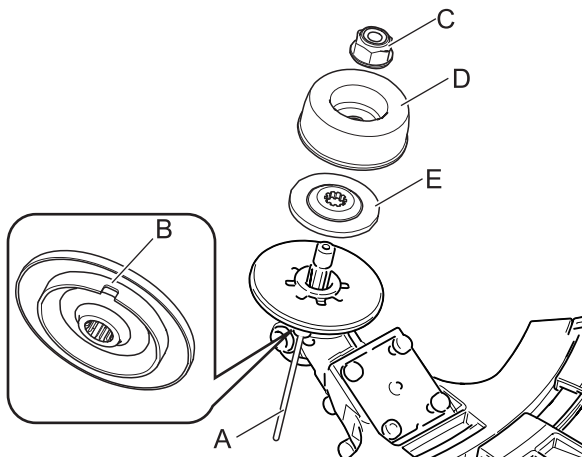


Instalación del escudo

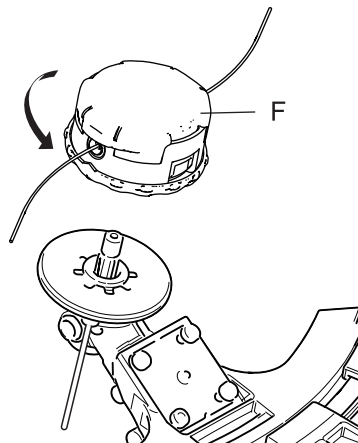


1. Instale el escudo (A) en la parte de montaje de la transmisión en ángulo y apriete los 4 pernos (B).

Instalación del cabezal de corte de hilo de nylon



1. Introduzca la herramienta de bloqueo (A) en el orificio ubicado en el lado derecho de la transmisión en ángulo forzando al mismo tiempo el muelle de retén hacia el lado izquierdo.
 2. Introduzca aún más la herramienta de bloqueo en la ranura de fijación (B) del retén de la cuchilla para fijar el eje de salida.
 3. Utilizando la llave de boca tubular, retire la tuerca (C), la copa (D) y el retén de la cuchilla inferior (E).
- * La tuerca, la copa y el retén de la cuchilla inferior no se utilizan con el cabezal de corte de nylon.



⚠ PRECAUCIÓN

○ Fije el eje de salida con seguridad usando la herramienta de bloqueo para prevenir que gire cuando se monta el cabezal de corte de nylon.

4. Enrosque el cabezal de corte (F) en el eje (en sentido contrario a las agujas del reloj) hasta que esté bien apretado.
5. Extraiga la herramienta de bloqueo.

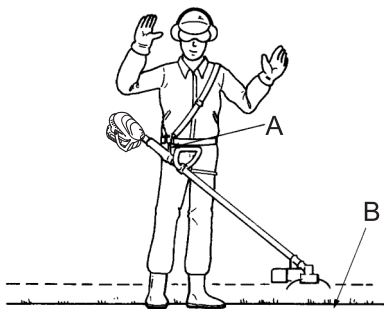
Ajuste del equilibrio Ajuste del arnés

⚠ ADVERTENCIA

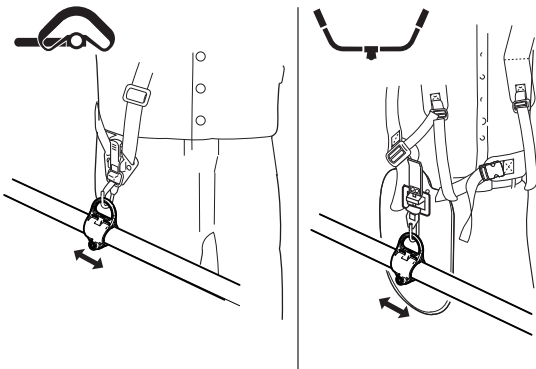
- Este producto está diseñado para adaptarse a una amplia variedad de tamaños corporales, pero no puede ajustarse para personas extremadamente altas. No utilice esta unidad si sus pies pueden tocar el accesorio de corte cuando la unidad esté fijada al arnés.

IMPORTANTE

- El tamaño de la persona puede afectar al ajuste del equilibrio. Por otro lado, el procedimiento de equilibrio de algunos equipos puede que no sirva para algunas personas. Si no le encaja el arnés o no puede ajustarlo bien, consulte con su distribuidor.



Equilibre la herramienta para que el cabezal de corte gire en un plano llano.



- ♦ El arnés que se adjunta es adecuado para gente con una complexión física adulta estándar, con una altura entre 150 cm y 195 cm y una cintura entre 60 cm y 140 cm.
- ♦ Utilice el arnés cuando se proporcione o recomiende en este manual. Ajuste tanto el arnés como el punto de suspensión (A) del equipo, de modo que éste cuelgue con el cabezal de corte unos pocos centímetros sobre el nivel del suelo (B).
- ♦ El accesorio de corte y la protección deben quedar nivelados en todas las direcciones. Sitúe el equipo en el lado derecho tal como se muestra.

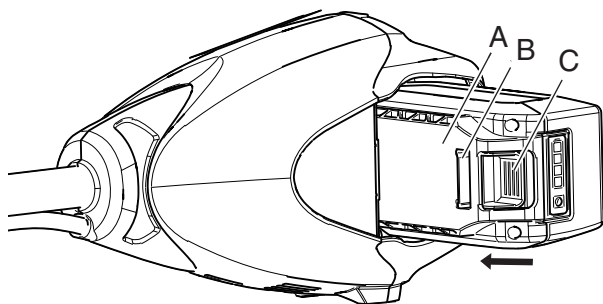
- ♦ Deslice el punto de suspensión arriba y abajo del tubo hasta encontrar el equilibrio correcto. Gire la abrazadera para nivelar el accesorio de corte y la protección. Bloquéelo en posición. Si el punto de suspensión es de tipo de giro libre, puede que la unidad tienda a desplazarse lateralmente, pero aún así, deberá nivelar el accesorio y la protección en el eje delantero / trasero.
- ♦ El equilibrado y nivelado, como se describe aquí arriba, puede requerir la reubicación de la abrazadera y el reajuste de las tiras del arnés. Observe también que cada tipo de accesorio de corte y de protección montados en el equipo pueden necesitar equilibrado.

Instalación de la batería

⚠ ADVERTENCIA

- El accesorio funcionará cuando la batería esté instalada y el indicador LED de alimentación esté encendido, y cuando se accionen el gatillo y el bloqueo de gatillo. Asegúrese de que la unidad está colocada correctamente para impedir la pérdida de control y posibles lesiones graves. Mantenga las piezas móviles del accesorio alejadas del suelo y de objetos que se puedan enredar o lanzar.
- Extraiga la batería cuando deje la unidad.

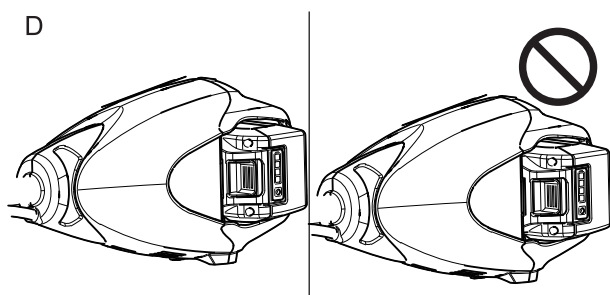
Antes de comenzar



1. Asegúrese de que la alimentación de la unidad esté apagada.
2. Alinee los canales (A) del pack de baterías con las muescas del cabezal de alimentación. Deslice el pack de baterías para introducirlo en el cabezal de alimentación.
3. Asegúrese de que el pestillo del pack de baterías (B) encaje en su sitio y de que el pack esté bien fijado antes de empezar a utilizar el producto.
4. Para retirar la batería, presione el pestillo del pack de baterías (C) y deslice la batería para extraerla del cabezal de alimentación.

IMPORTANTE

Antes de utilizar la unidad, asegúrese de que la batería está colocada correctamente con el pestillo del pack de baterías en su posición (D).



NOTA

- ♦ El pack de baterías está en su posición cuando el pestillo del pack de baterías está correctamente enganchado.

PELIGRO

- Todos los conductores eléctricos y cables de comunicaciones aéreos tienen alimentación eléctrica de alta tensión. Esta unidad no está aislada contra corrientes eléctricas. No toque los cables directa ni indirectamente; de lo contrario, podría sufrir lesiones graves o mortales.

ADVERTENCIA

- No utilice la unidad en atmósferas explosivas, como en las que se encuentran líquidos inflamables, gases o polvo. La unidad genera chispas que podrían encender el polvo o los gases.

Tenga especial cuidado de seguir las siguientes precauciones cuando arranque la unidad:

- Compruebe que ninguna tuerca ni perno estén flojos.
- No se ha quedado ninguna llave inglesa o herramienta de bloqueo en alguna pieza giratoria de la unidad.
- Deje suficiente espacio alrededor del producto y no deje que se acerquen personas o animales.
Si no tiene en cuenta estas precauciones podría sufrir un accidente o lesión o incluso dar lugar a un accidente mortal.

- Compruebe que no haya vibraciones ni sonidos anormales una vez arrancada la unidad. No utilice el producto si hay vibraciones o sonidos anormales. Póngase en contacto con su distribuidor para que lo repare.
Los accidentes que causen la caída o rotura de las piezas pueden provocar heridas o lesiones graves.

- Para transportar la unidad, apáguela y retire la batería.

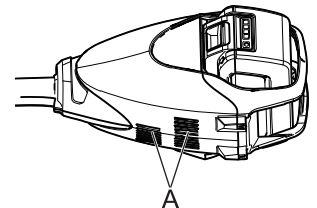
- No toque la transmisión en ángulo ni el resto de componentes que están a alta temperatura mientras el producto está funcionando o cierto tiempo después de detenerse.
Podría quemarse si toca un componente a temperatura elevada.



- Nunca accione la unidad en situaciones en las que su cuerpo la sobrepase. Mantenga siempre el equilibrio, esté siempre atento a los puntos de apoyo y a las pendientes, nunca corra.
- Nunca accione la unidad con protecciones o escudos defectuosos, ni sin dispositivos de seguridad, ni con el cable dañado o desgastado.

IMPORTANTE

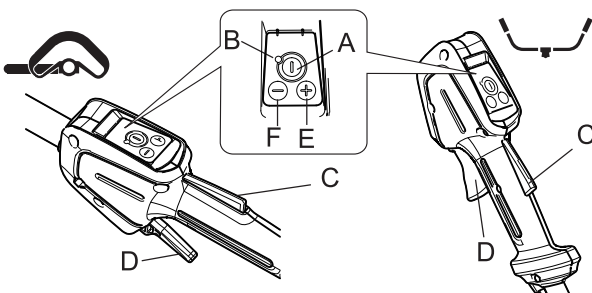
- Mantenga las ranuras de ventilación (A) siempre limpias.



Encendido de la unidad

ADVERTENCIA

- El accesorio funcionará cuando la batería esté instalada y el indicador LED de alimentación esté encendido, y cuando se accionen el interruptor de gatillo y el bloqueo del interruptor de gatillo. Asegúrese de que el producto está colocado correctamente para impedir la pérdida de control y posibles lesiones graves.



1. Compruebe y asegúrese de que el accesorio de corte no está en contacto con la superficie del suelo o con cualquier otro impedimento utilizando una barra u otra herramienta similar.
2. Pulse una vez el botón de encendido (A) para activar la alimentación de la unidad.
* El indicador LED de alimentación (B) se ilumina cuando la alimentación de la unidad está encendida.
3. Mantenga pulsado el bloqueo del interruptor de gatillo (C) y pulse el interruptor de gatillo (D) para aumentar las RPM a la velocidad de funcionamiento.
4. Para aumentar la velocidad, pulse el botón + (E).
5. Para reducir la velocidad, pulse el botón - (F).

Funcionamiento

6. Se pueden mantener tres velocidades
7. Si pulsa el botón + (E) durante un segundo, la velocidad se mantendrá en ese momento.
8. Para dejar de mantener la velocidad, pulse el botón +.

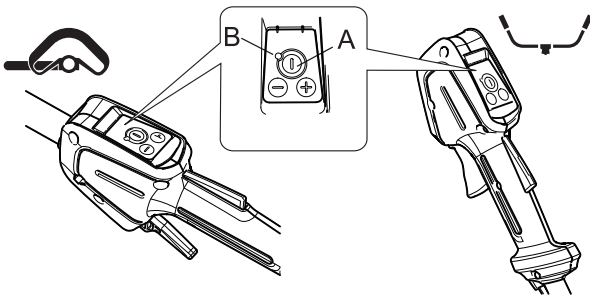
IMPORTANTE

- Cuando se enciende la unidad:
 - ♦ Después de 90 segundos de inactividad, la unidad se apagará automáticamente.
 - ♦ Si el LED continua encendido, el funcionamiento es normal.
 - ♦ Si el LED parpadea una vez por segundo, es necesario cargar la batería.
 - ♦ Si el LED parpadea cuatro veces por segundo, el producto tiene una avería. Apague la unidad. Extraiga la batería. Limpie la suciedad del cabezal de hilo. Instale la batería. Encienda la unidad. Si continúa parpadeando, solicite la reparación del producto a su distribuidor de servicio autorizado.

Detención de la unidad

ADVERTENCIA

○ El accesorio de corte continúa funcionando un breve periodo de tiempo tras apagarse la unidad.



1. Suelte el interruptor de gatillo y el bloqueo del interruptor de gatillo y permita que el cabezal de corte se detenga.
 2. Pulse el botón de encendido (A) para desactivar la alimentación de la unidad.
- * El indicador LED de alimentación (B) se apaga cuando la alimentación de la unidad está apagada.
 - * Si el cabezal de corte no se detiene cuando se sueltan el gatillo y el bloqueo de gatillo, pulse el botón de encendido para desactivar y retire la batería y detener el suministro de alimentación al producto. Antes de volver a utilizar el producto, haga que su distribuidor de servicio autorizado repare el botón de encendido.

Funcionamiento del recorte de bordes

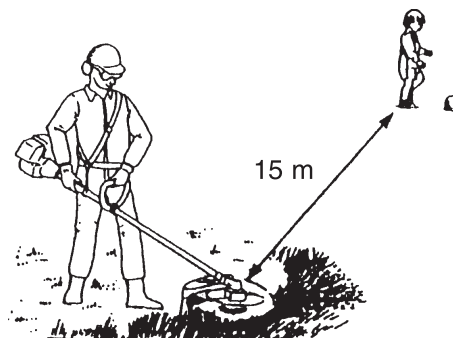
PELIGRO

○ **Pare siempre la unidad y extraiga la batería cuando se produzca una obstrucción del accesorio de corte.**
En caso contrario, al eliminar la obstrucción, el accesorio de corte podría arrancar de forma repentina y causarle heridas.

○ **No trabaje con el producto sin el escudo protector en su sitio.**
Cualquier objeto que rebote en el accesorio de corte podría provocar un accidente o una lesión grave.

○ **El área dentro de un radio de 15 metros del producto es una zona peligrosa. Tenga cuidado de cumplir estas precauciones cuando trabaje con el producto.**

- ◆ No permita que niños, otras personas o mascotas entren en la zona de peligro.
- ◆ Si entra otra persona en la zona de peligro, apague la unidad para detener la rotación del accesorio de corte.
- ◆ Cuando se acerque al operario, hágale una señal, por ejemplo, arrojándole ramitas desde el exterior de la zona de peligro y, a continuación, compruebe que la unidad se haya desconectado y que el accesorio de corte haya dejado de girar.
- ◆ Si hay más de una persona trabajando con el producto, identifique la forma en la que se avisarán y trabajen a una distancia mínima de 15 metros.



Cualquier objeto que rebote en el accesorio de corte o que entre en contacto con el mismo, podría causar ceguera o un accidente fatal.

ADVERTENCIA

○ **Antes de comenzar a trabajar, compruebe el área en la que vaya a trabajar y elimine las piedras pequeñas y latas vacías que probablemente puedan rebotar en el accesorio de corte, así como cualquier trozo de cuerda o cable que puede enrollarse alrededor del accesorio de corte.**

Puede producirse un accidente o lesión grave si sustancias extrañas rebotan en el accesorio de corte o si salta un cable u otro material enrollado alrededor del producto.



○ **En las situaciones que se describen a continuación, apague inmediatamente la unidad y asegúrese de que los accesorios de corte se hayan detenido antes de comprobar cada área del producto. Sustituya cualquier pieza dañada.**

- ◆ Si el accesorio de corte golpea una roca, árbol, poste u otro tipo de obstáculo mientras está trabajando.
- ◆ Si el producto comienza a vibrar anormalmente de forma repentina.

El uso continuado de las piezas cuando estén dañadas puede provocar un accidente o una lesión grave.

○ **No sujete el accesorio de corte mientras esté trabajando. No debe trabajar con los accesorios de corte por encima del nivel de la rodilla.**

La elevación del accesorio de corte por encima del nivel de la rodilla acerca el plano de rotación a la cara y cualquier objeto proyectado por los accesorios de corte podría provocar un accidente o una lesión grave.

Transporte del producto

○ **Cuando transporte la unidad en las situaciones descritas a continuación, apáguela y asegúrese de que la cuchilla cortabordes haya dejado de girar. A continuación, coloque la tapa de dicha cuchilla.**

- ◆ Traslado al lugar de trabajo.
- ◆ Traslado a otra zona mientras está trabajando.
- ◆ Abandono del lugar en el que ha estado trabajando.

○ **Cuando transporte el producto en coche, extraiga el pack de baterías de la unidad, coloque la tapa de la cuchilla de corte y asegure firmemente el producto en su lugar para evitar que se mueva.**

Si no cumple estas precauciones podría sufrir quemaduras o una lesión grave.

○ **No utilice el equipo con una sola mano en ningún caso.**

○ **Asegúrese de enganchar los pulgares alrededor de las empuñaduras, envolviéndolas con el pulgar y los demás dedos.**

○ **Mantenga los asideros y la superficie de agarre secos, limpios y libres de aceite y grasa.**

Si los asideros y la superficie de agarre están resbaladizos no podrá manejar ni controlar la unidad en situaciones imprevistas.



Funcionamiento del recorte de bordes

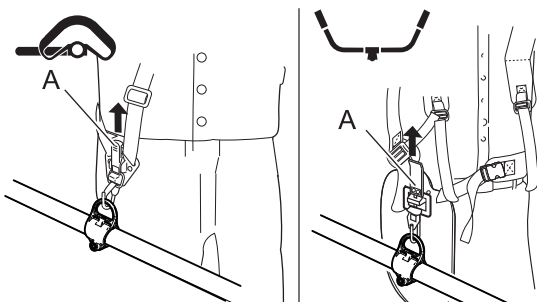
NOTA

- Es posible que, en casos aislados, el producto no funcione adecuadamente cuando se utiliza a bajas temperaturas por primera vez tras la compra. Este fenómeno no indica un fallo del producto. En este caso, haga que la unidad alcance la temperatura ambiente (temperatura normal), y enciéndala y apáguela varias veces antes de usarla.

Uso del arnés

⚠ ADVERTENCIA

- No utilice de forma simultánea múltiples cinturones o arneses.
- Cuando utilice un arnés no permita que otras prendas o accesorios interfieran con la liberación y retirada del mismo. De lo contrario, podría producirse un accidente o una lesión grave.



Coloque siempre correctamente el cortabordes utilizando el arnés.

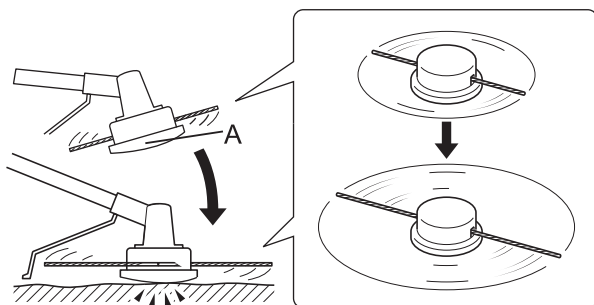
- ◆ Abróchese el cinturón. El cinturón debe quedar ceñido.
- ◆ Coloque el dispositivo en el arnés.
- ◆ Versión con manillar único
Coloque el arnés sobre su hombro izquierdo y ajuste las tiras de modo que el pasador de liberación rápida quede justo debajo de su cintura.
- ◆ Versión con manillar doble
Coloque el arnés sobre ambos hombros y ajuste las tiras para los bloqueos del punto de conexión tal como se muestra.
- ◆ Compruebe el ajuste correcto moviendo el accesorio de corte a lo largo del suelo.
- ◆ Reajuste la posición del punto de suspensión si fuera necesario.
- ◆ El arnés está equipado con una función de liberación de emergencia.
 - ◆ En caso de incendio u otra emergencia, tire del Lengüeta de emergencia (A) del arnés para soltar el producto de su cuerpo.

Funcionamiento básico del recorte de bordes con el cabezal de corte de hilo de nylon

⚠ ADVERTENCIA

- Puede producirse una lesión grave como resultado del uso inadecuado del accesorio de corte. Lea y cumpla todas las instrucciones de seguridad que se dan en este manual.
- Nunca utilice el aparato con una cuchilla estropeada.
- Use solo accesorios de corte recomendados por YAMABIKO Corporation.
- Después de regular la longitud del hilo, el hilo sobrante que queda después de cortar con el cuchillo, podría salir proyectado hacia usted cuando el accesorio de corte que lo contiene empiece a girar. De lo contrario, podría producirse un accidente o una lesión grave.

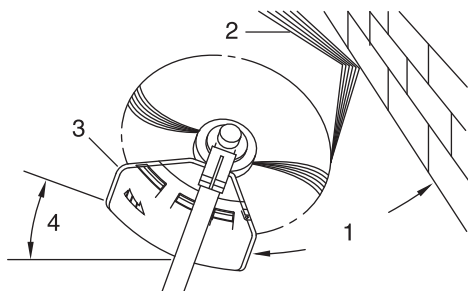
Ajuste del hilo de nylon



- ◆ El cuchillo de corte del escudo ajusta la franja de corte automáticamente cortando los hilos de nylon por igual cuando el accesorio de corte empiece a girar.
- ◆ Cuando deba trabajar con una franja de corte menor que la máxima, corte por igual los dos hilos de nylon a la longitud deseada.
- ◆ Para avanzar la línea del cortabordes, presione el cabezal de corte del hilo de nylon (A) contra el suelo mientras el cabezal gira a una velocidad de funcionamiento normal.

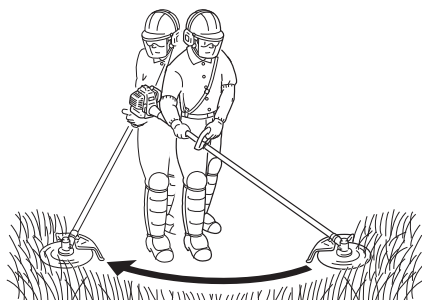
Funcionamiento del recorte de bordes

Recorte de bordes contra barrera



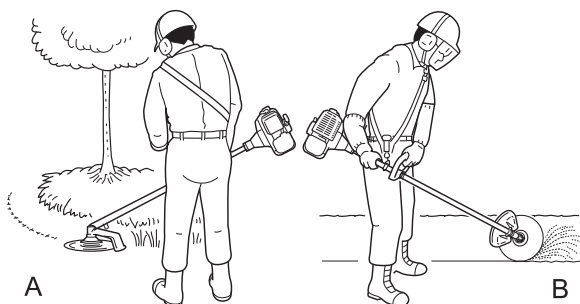
- ♦ Se trata de acercar el cortador cuidadosamente hacia el material que desee cortar. Inclina el cabezal ligeramente para alejar de Ud. los desechos. Si recorta contra una pared, valla o árbol, acerquese desde un ángulo desde el que los desechos lanzados por el equipo se alejen de Ud.
 - ♦ Mueva el cabezal con el hilo o el disco con el hilo despacio hasta cortar la hierba justo hasta la barrera, pero no deje que el hilo toque demasiado a la misma. Si recorta contra una valla de alambre o eslabonada, ponga atención en que el hilo no toque el alambre, ya que de lo contrario el hilo podría enredarse en el alambre de la valla.
 - ♦ Puede recortar de tal manera que corte los tallos de las malas hierbas de uno en uno. Coloque el cortador con hilo de nylon cerca de la parte inferior de la hierba, nunca en la parte superior ya que podría enredarse. En vez de cortar la hierba directamente de una vez, use el extremo del hilo para que corte despacio y paulatinamente el tallo.
1. Ángulo con la pared
 2. Desechos
 3. Lado de cuchilla elevado
 4. Ángulo con el suelo

Siega

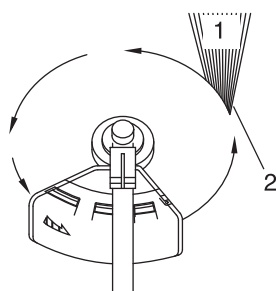


- ♦ Consiste en el corte o siega de grandes áreas con hierbas, barriendo con el cortador o haciéndolo oscilar en un arco llano. Utilice un movimiento suave y fácil. No intente cortar a "hachazos". Inclina el cabezal o disco con el hilo de tal modo que los desechos lanzados se alejen de Ud. en todo el recorrido del equipo. Luego vuelva a la posición original, sin cortar hierba, para iniciar otro recorrido. Si Ud. está bien protegido y no le preocupa el que algunos desechos sean lanzados hacia Ud., podrá segar en ambas direcciones.

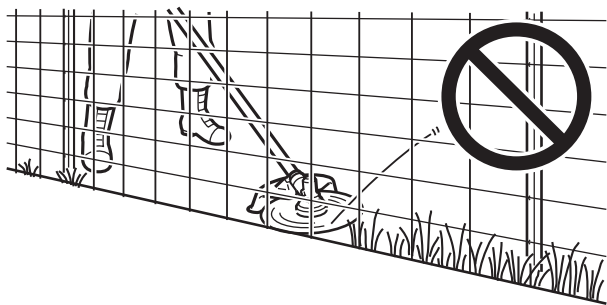
Desbroce y recorte de bordes



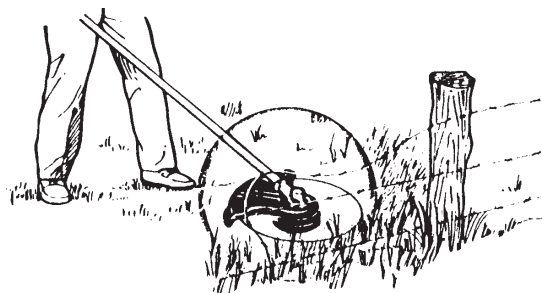
- ♦ Ambas actividades se realizan con el cabezal de corte de hilo de nailon inclinado a un gran ángulo. El desbroce (A) consiste en cortar las malas hierbas dejando el suelo raso. El recorte de bordes (B) consiste en cortar la hierba en aquellos lugares en los que se ha extendido hacia el pavimento o el camino. Tanto en el recorte de bordes como en el desbroce, sujete el equipo inclinado en un ángulo pronunciado y en una posición tal que los desechos, así como las piedras y otros materiales, no se dirijan hacia usted incluso si rebotan contra una superficie dura.
 - ♦ Aunque las ilustraciones muestran cómo desbrozar y recortar bordes, cada profesional debe encontrar por sí mismo los ángulos más adecuados a su tamaño corporal y al corte en concreto.
 - ♦ Para casi todos los tipos de corte, convendrá inclinar el cabezal de corte de hilo de nailon de tal modo que haga contacto con la parte del círculo en la que el hilo se aleja de usted y del escudo (véase la ilustración correspondiente). De este modo los desechos se lanzan lejos de usted.
 - ♦ Si se inclina el cabezal hacia el lado erróneo, los desechos se dirigirán hacia usted. Si el cabezal de corte de hilo de nailon se mantiene plano con respecto al suelo de modo que el corte tenga lugar en todo el círculo que traza el hilo, los desechos se dirigirán hacia usted, la resistencia ralentizará la unidad y necesitará gran cantidad de hilo.
 - ♦ El cabezal de corte de hilo de nailon gira en sentido contrario a las agujas del reloj. El cuchillo de corte de hilo está en el lado izquierdo del escudo.
1. Desechos
 2. Corte en este lado



Funcionamiento del recorte de bordes



- ♦ No lleve el hilo hacia plantas fuertes, árboles o vallas de metal o alambre.
- ♦ Si lleva el hilo hacia alambradas de corral, cercado eslabonado o arbustos grandes, puede que se rompan los extremos del hilo y que salgan proyectados hacia el usuario. El método correcto consiste en cortar justo hasta la barrera, pero nunca llevar el hilo hasta la obstrucción o a través de ella. No corte demasiado cerca de la obstrucción o barrera.



- ♦ Evite el contacto del hilo de nylon con alambradas rotas. Los trozos de alambre rotos por el cortabordes podrían salir proyectados hacia usted a alta velocidad.

Funcionamiento del recorte de bordes

Funcionamiento básico del recorte de bordes con la cuchilla metálica

ADVERTENCIA

- Cuando recorte bordes, tenga en cuenta las siguientes instrucciones.
 - ◆ Compruebe y asegúrese de que la cuchilla del cortabordes está bien apretada en su sitio.
 - ◆ Sustituya el escudo si está dañado o roto.
 - ◆ Sustituya la tuerca de la cuchilla del cortabordes cuando esté gastada.
 - ◆ No toque el terreno con la cuchilla.
 - ◆ No haga funcionar el equipo con una cuchilla roma, doblada, fracturada u oxidada, o con la tuerca gastada o dañada.



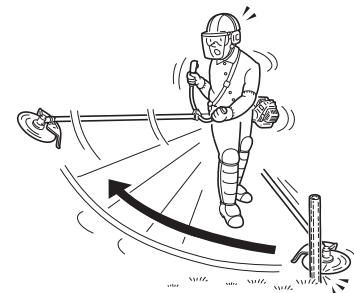
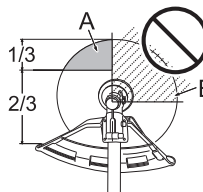
Si no lo hace, podría producirse un accidente o una lesión grave.

- Use sólo accesorios de corte recomendados por YAMABIKO Corporation. YAMABIKO Corporation no se hará responsable de los fallos del dispositivo de corte, los accesorios o accesorio de corte que no hayan sido probados y homologados por YAMABIKO Corporation para su uso con esta unidad.
- El tipo de cuchilla usada debe coincidir con el tipo y tamaño del corte material. Una cuchilla inadecuada o desafilada puede causar heridas personales importantes. Las cuchillas deben estar bien afiladas. Las cuchillas desafiladas incrementan la posibilidad de causar contragolpe y heridas a usted y a los transeúntes.
 - ◆ Las cuchillas para hierba / malas hierbas de plástico / nylon pueden ser usadas siempre que se use el cabezal de hilo de nylon. No use esta cuchilla para cortar malas hierbas o arbustos grandes.
 - ◆ La cuchilla de 3 cortadores está especialmente diseñada para cortar césped y malas hierbas. Para evitar heridas provocadas por el contragolpe o por la fractura de la cuchilla, no use la cuchilla de 3 cortadores para cortar arbustos o árboles.
 - ◆ La cuchilla para malas hierbas / hierba de 8 dientes está diseñada para cortar césped, desechos de jardín y arbustos grandes. No use esta cuchilla para cortar arbustos o ramas de madera con un diámetro de 19 mm o mayor.
 - ◆ La cuchilla de despejar de 22 dientes está diseñada para cortar matorrales densos y árboles jóvenes con un diámetro de hasta 64 mm.
 - ◆ La cuchilla de desbroce está diseñada para cortar arbustos y ramas de madera con un diámetro de hasta 13 mm.

Las cuchillas dañadas o destrozadas pueden provocar accidentes y heridas graves.

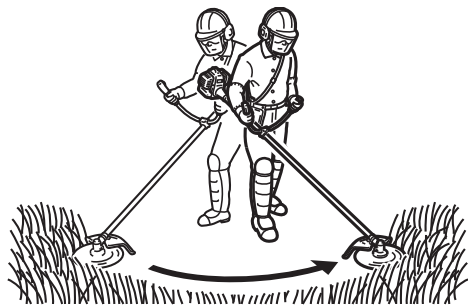
Contragolpe

- El fenómeno que se produce si la cuchilla del cortabordes contacta con un árbol, poste, roca u otro objeto duro cuando está girando a alta velocidad y reacciona saltando hacia atrás con fuerza y de forma instantánea se conoce como contragolpe.
- El contragolpe puede provocar una pérdida de control sobre el producto y es muy peligrosa.
- En particular, si el cuadrante delantero derecho de la cuchilla del cortabordes (B) golpea un arbusto u otro objeto similar, la cuchilla del cortabordes hará que el producto salte hacia atrás de forma abrupta de atrás hacia la derecha.
- Para evitar el contragolpe, no corte de izquierda a derecha. Tenga cuidado de asegurarse de que la cuchilla del cortabordes no golpee ningún objeto duro.
- Cuando corte, asegúrese de que el objeto que está cortando esté dentro de la parte de 1/3 de la cuchilla del borde delantero del lateral izquierdo (A).



Si no lo hace, podría provocar una lesión o accedente fatal.

La siega de malas hierbas



- ◆ Consiste en el corte realizado haciendo oscilar el accesorio de corte en un arco llano. Puede limpiar rápidamente áreas de malas hierbas y césped. Este tipo de corte no debe utilizarse para cortar malas hierbas grandes y duras o ramas de madera.
- ◆ Si un árbol joven o un arbusto traba el accesorio de corte, no intente usar el mismo como palanca para destrabarlo, ya que esto causaría un mal funcionamiento del accesorio de corte.
- ◆ En vez de ello, apague la unidad y empuje el árbol o arbusto para liberar las cuchillas.

Mantenimiento y cuidados

⚠ ADVERTENCIA

Cuando compruebe o realice el mantenimiento del producto después del uso, tenga en cuenta las siguientes precauciones:

- **Desconecte la alimentación de la unidad, extraiga la batería y asegúrese de que todas las piezas móviles se hayan detenido por completo.**
Podría producirse un accidente si el producto arranca de forma inesperada.
- **Deje que la unidad se enfríe antes de realizar el mantenimiento.**
Podría quemarse.
- **No realice nunca el mantenimiento de packs de baterías dañados. El mantenimiento de los packs de baterías solo debe realizarlo el fabricante o un servicio técnico autorizado.**

IMPORTANTE

- Las comprobaciones y el mantenimiento requieren un conocimiento especializado. Si no puede comprobar y realizar el mantenimiento del producto o solventar un problema por su cuenta, consulte con su distribuidor. No intente desmontar el producto.

Directivas de asistencia

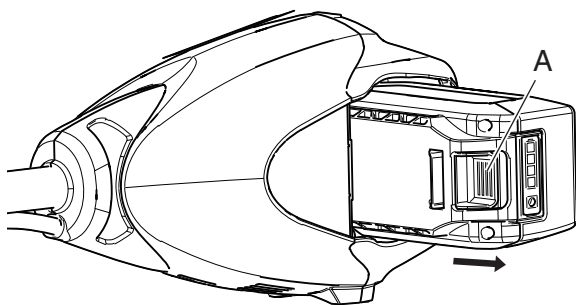
Área	Mantenimiento	Página	Antes de usar	Mensual
Batería	Inspeccionar/Limpiar/Cargar	10	•	
Transmisión en ángulo	Engrasar	23		•*
Cuchillo de corte	Inspeccionar/Limpiar	-	•	
Tornillos, pernos y tuercas	Inspeccionar, apretar/sustituir	-	•	

* O 50 horas, lo que primero tenga lugar.

Mantenimiento y cuidados

Si tiene cualquier pregunta o problema, póngase en contacto con su distribuidor.

Limpieza de la batería y de su compartimento



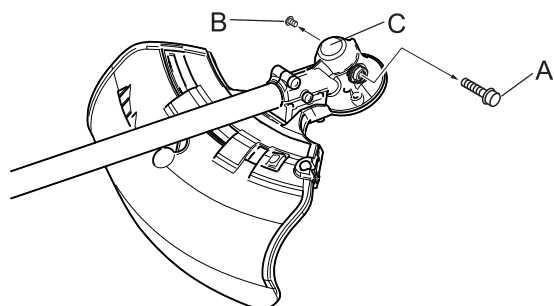
⚠ ADVERTENCIA

○ **Riesgo de descargas eléctricas o fuego. No utilice materiales conductores para limpiar la batería ni su compartimento.**

1. Suelte el interruptor de gatillo y el bloqueo del interruptor de gatillo y deje que el cabezal de corte se detenga.
2. Asegúrese de que el indicador LED de alimentación no esté encendido.
3. Presione el pestillo del pack de baterías (A) y deslice la batería para extraerla del cabezal de alimentación.
4. Utilice aire comprimido o un cepillo de cerdas suaves para eliminar la suciedad de la batería y de su compartimento.

Mantenimiento y cuidados

Transmisión en ángulo



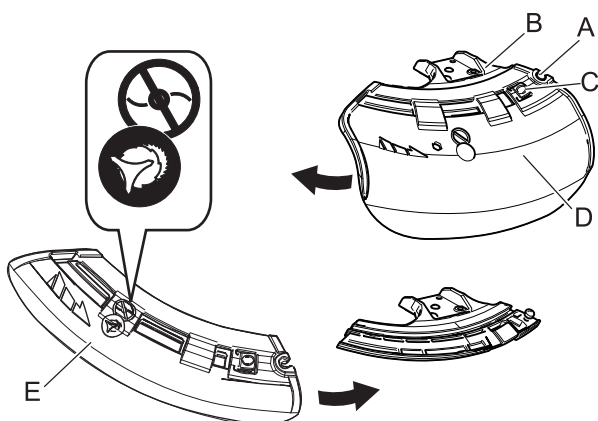
1. Saque el tapón (A) y el tornillo de vaciado (B) de la transmisión en ángulo (C).
2. Añada grasa en la transmisión hasta que salga la grasa anterior. En caso necesario, utilice una bomba de baja presión.

NOTA

- Utilice grasa multiuso de litio de alta calidad.

3. Vuelva a colocar el tornillo de vaciado y el tapón.

Cómo cambiar el protector



- ♦ Hay dos tipos de escudos: a saber, uno que se usa exclusivamente para el hilo de nylon y otro que se usa exclusivamente para la cuchilla metálica. Cuando emplee la cuchilla metálica, use el escudo para dicha cuchilla.

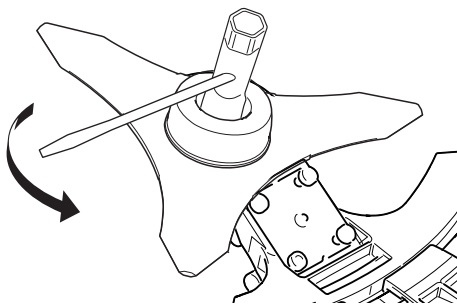
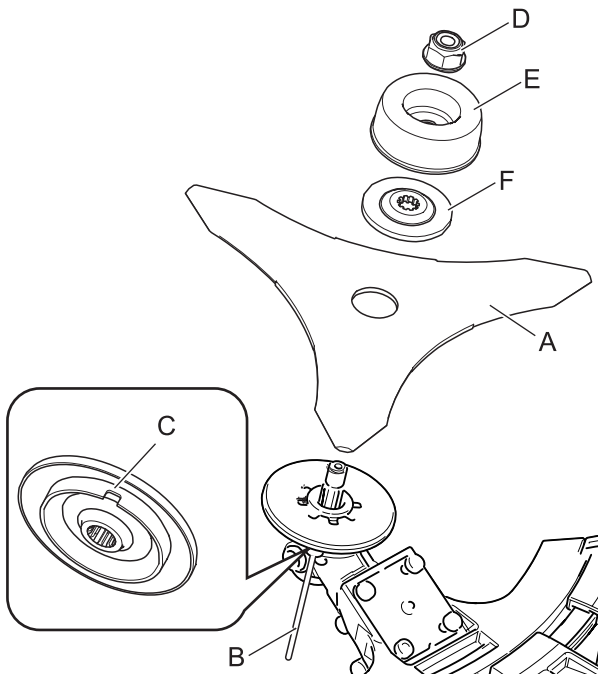
1. Afloje por completo el perno (A) a la derecha del soporte (B) para deslizar el escudo. El propio perno no puede ser extraído del soporte.
2. Pulse el botón (C), deslice el escudo (D) a la izquierda y extraígalo.
3. Ponga el escudo del otro tipo (E) en la ranura y deslícelo a la derecha hasta que se detenga. Asegúrese de apretar el perno.

Instalación de la cuchilla (opcional)

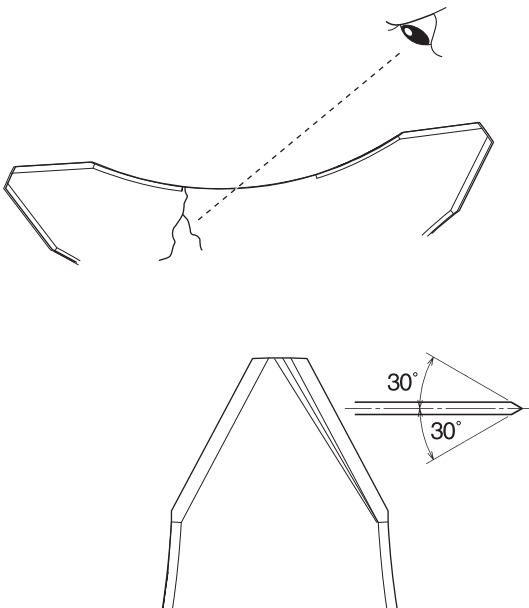
⚠ ADVERTENCIA

- Utilice guantes de alta resistencia cuando trabaje con la cuchilla del cortabordes.
- Cuando sustituya la cuchilla del cortabordes durante un trabajo de corte, asegúrese de que la unidad esté apagada y de que se han detenido las cuchillas.
- No intente colocar la cuchilla del cortabordes con una mano o sin utilizar la llave tubular. Coloque con precisión la cuchilla del cortabordes utilizando la llave tubular suministrada y apriétela firmemente en su sitio.
- No utilice otra herramienta que no sea la llave tubular incluida para apretar la cuchilla; las herramientas neumáticas o eléctricas pueden apretar excesivamente la cuchilla y, por consiguiente, pueden romper la tuerca o el eje de salida.
- Si se usaran una tuerca y copa desgastadas para la cuchilla, existe el peligro de que esta se afloje. Sustitúyalas siempre por unas nuevas.
En caso contrario, podría producirse una lesión o un accidente grave.

Mantenimiento y cuidados



Comprobación de la cuchilla



1. Inspeccione las cuchillas (A) antes de su instalación. Compruebe también que estén afiladas. Las cuchillas romas aumentan el riesgo de contragolpes de la cuchilla. Las grietas pequeñas pueden convertirse en fracturas y, durante el uso, podrían salir volando trozos de cuchilla con el consiguiente peligro. Deseche las cuchillas agrietadas sin tener en cuenta lo pequeñas que puedan ser las grietas.
2. Introduzca la herramienta de bloqueo (B) en el orificio ubicado en el lado derecho de la transmisión en ángulo forzando al mismo tiempo el muelle de retén hacia el lado izquierdo.
3. Introduzca aún más la herramienta de bloqueo en la ranura de fijación (C) del retén de la cuchilla para fijar el eje de salida.
4. Utilizando la llave de boca tubular, retire la tuerca (D), la copa (E) y el retén de la cuchilla inferior (F).
5. Apriete a mano firmemente la cuchilla, el retén de la cuchilla inferior, la copa y la tuerca.

⚠ PRECAUCIÓN

○ Fije el eje de salida con seguridad usando la herramienta de bloqueo para prevenir que gire cuando se monta la cuchilla. De lo contrario, la tuerca de sujeción de la cuchilla no será apretada lo suficiente.

6. Apriete la tuerca (girándola en sentido contrario a las agujas del reloj) usando una llave de boca tubular. Nunca apriete mientras está aplicando su peso. En caso contrario podría romperse la rosca de la tuerca.
7. Extraiga la herramienta de bloqueo.

- ♦ Use sólo la cuchilla designada por el fabricante para este modelo.
- ♦ Sustituya la cuchilla por una nueva si ve alguna grieta. No use en ningún caso una cuchilla agrietada.
- ♦ Asegúrese de que la cuchilla está colocada correctamente según las instrucciones.

- ♦ Cuando la cuchilla de corte deje de estar afilada debido al desgaste, déle la vuelta y podrá seguir usándola.
- ♦ Cuando la cuchilla se melle o doble aumentarán las vibraciones. En ese caso, sustitúyala por una nueva.
- ♦ Cuando lime la cuchilla, lime los 3 bordes de corte uniformemente usando una lima plana tal como se muestra en la ilustración. De otro modo, se perdería el equilibrio y aumentarían las vibraciones.

Mantenimiento y cuidados

Carga del hilo de nylon

⚠ PELIGRO

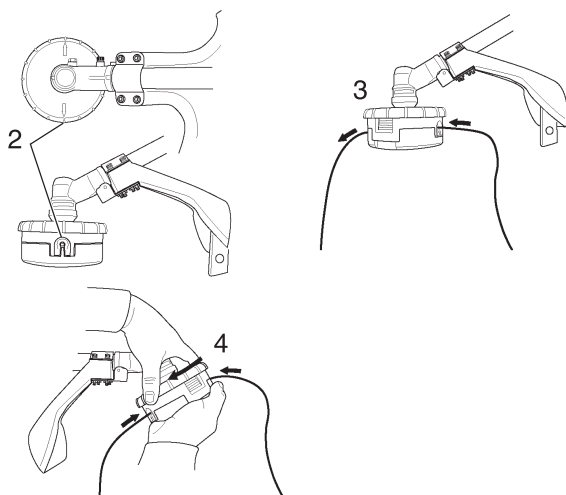
○ **Apague la unidad, retire la batería y asegúrese de que el cabezal de corte de hilo de nailon se haya parado antes de iniciar el procedimiento de sustitución.**

De hacerlo, podría provocar un accidente o una lesión grave.

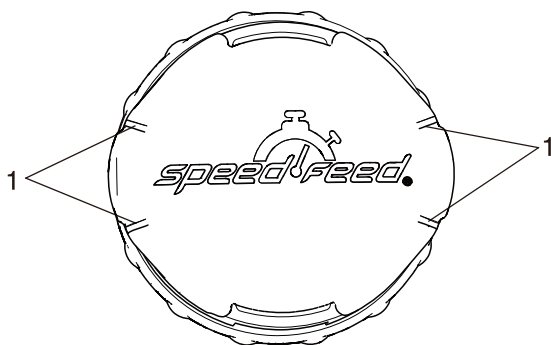
⚠ ADVERTENCIA

○ **Utilice solo hilo flexible y no metálico recomendado por YAMABIKO Corporation.**

De lo contrario, podría producirse un accidente o una lesión grave.



1. Corte un trozo de hilo de la longitud recomendada.
 - ♦ 2,4 mm - 3,5 m de diámetro
2. Alinee las flechas de la parte superior de la perilla con las aberturas de los ojales.
3. Introduzca un extremo del hilo de nylon en un ojal, y pase el hilo a la misma distancia por el cabezal de corte de hilo de nylon.
4. Sujete el cabezal de corte de hilo de nylon mientras gira la perilla en la dirección de las agujas del reloj para enrollar el hilo en el carrete hasta que queden aproximadamente 13 cm de cada extremo del hilo.



1. Indicadores de desgaste

IMPORTANTE

Cuando los indicadores de desgaste situados en la parte inferior del cabezal de corte de hilo de nylon están desgastados, es necesario cambiar la tapa de todo el cabezal de corte de hilo de nylon.

Tabla de localización de averías

IMPORTANTE

○ Para piezas de repuesto y consumibles, utilice solo piezas originales y los productos y componentes indicados. La utilización de piezas de otros fabricantes o de componentes no indicados puede derivar en un fallo de funcionamiento.

Mantenimiento y cuidados

Problema	Causa	Solución
La luz roja del cargador parpadea o no se enciende	<ol style="list-style-type: none"> 1. Enchufe no conectado a la toma 2. El pack de baterías no se ha instalado correctamente 3. Conexión obstruida 4. Fallo en el cargador 5. Fallo en el pack de baterías 	<ol style="list-style-type: none"> 1. Enchufe el cargador 2. Compruebe la instalación del pack de baterías 3. Vuelva a instalar el pack de baterías después de eliminar las obstrucciones de la conexión. 4. Consulte con su distribuidor 5. Consulte con su distribuidor
No se enciende la unidad	<ol style="list-style-type: none"> 1. El pack de baterías no se ha instalado correctamente 	<ol style="list-style-type: none"> 1. Compruebe la instalación del pack de baterías
La unidad no funciona cuando se enciende	<ol style="list-style-type: none"> 1. Pack de baterías descargado 2. Cabezal de hilo obstruido 3. Pack de baterías a temperatura fuera de los límites aceptables 	<ol style="list-style-type: none"> 1. Cargue el pack de baterías 2. Apague la unidad y limpie el accesorio de corte 3. Extraiga el pack de baterías y permita que se enfríe
El tiempo de funcionamiento es demasiado corto	<ol style="list-style-type: none"> 1. Pack de baterías a temperatura fuera de los límites aceptables 2. Componentes electrónicos de la unidad demasiado calientes 3. Pack de baterías descargado 	<ol style="list-style-type: none"> 1. Extraiga el pack de baterías y permita que se enfríe 2. Apague la unidad y deje que se enfríe 3. Cargue el pack de baterías
No se alimenta hilo de corte	<ol style="list-style-type: none"> 1. No hay suficiente hilo en el carrete 2. Hilo atascado en el carrete 	<ol style="list-style-type: none"> 1. Recoja con hilo nuevo 2. Recoja y desenrolle el hilo
No se corta el hilo	<ol style="list-style-type: none"> 1. El cuchillo de corte del escudo está dañado o no está 	<ol style="list-style-type: none"> 1. Consulte con su distribuidor

- Consulte con su distribuidor si se encuentra con un problema que no esté cubierto en la tabla anterior o para cualquier otra consulta.
- Para desechar el producto o sus piezas de acuerdo con las normativas locales, póngase en contacto con su distribuidor.

Fabricante:

YAMABIKO CORPORATION

1-7-2 Suehirocho, Ohme, Tokio 198-8760 JAPÓN

Representante autorizado en Europa:

CERTIFICATION EXPERTS B.V.

Amerlandseweg 7, 3621 ZC Breukelen, Países Bajos

Almacenamiento

ADVERTENCIA

ⓘ No guardar en un lugar cerrado donde puedan acumularse gases combustibles.

Podría provocar un incendio.



Cuando almacene el producto durante largos periodos de tiempo, asegúrese de que se realicen los siguientes preparativos para el almacenamiento.

Motor

1. Apagar la unidad.
2. Extraer la batería del cabezal de alimentación.
3. Eliminar la acumulación de suciedad y desechos del exterior de la unidad.
4. Apretar todos los tornillos y tuercas.
5. Cubrir el compartimento de la batería del cabezal de alimentación, la batería y el cargador de la batería.
6. Guardar la unidad en un lugar seco, libre de polvo y fuera del alcance de los niños.

Mantenimiento y cuidados

Batería

1. Extraer la batería del cabezal de alimentación.
2. Guardar el producto en un lugar seco, libre de polvo y fuera del alcance de los niños.
3. Almacenar a temperaturas entre -20 °C y 60 °C (140 °F).
4. Si va a almacenar la batería durante más de un año, cárguela a aproximadamente un 40 - 60% de su capacidad.

Cargador de la batería

1. Extraer la batería del cargador.
2. Desconecte el cargador de la batería de la toma de corriente.
3. Guardar el producto en un lugar seco, libre de polvo y fuera del alcance de los niños.

Eliminación



- ♦ Las principales piezas de plástico que componen el producto llevan códigos que indican el material del que están hechas. Los códigos hacen referencia a los siguientes materiales; recicle dichas piezas de plástico según las normativas locales.

Marca	Material
>PA6-GF<	Nylon 6 - Fibra de vidrio
>PP-GF<	Polipropileno - Fibra de vidrio
>PE-HD<	Polietileno
>PP<	Polipropileno

- ♦ Póngase en contacto con su distribuidor si no conoce los procedimientos de eliminación de las piezas plásticas.
- ♦ La batería contiene litio. Elimínela únicamente en un punto de recogida autorizado.
- ♦ Las baterías de ion litio deben reciclarse o eliminarse correctamente.

Características técnicas

	DSRM-2600	
	L	U
Dimensiones externas: Longitud × Anchura × Altura	1896 × 332 × 275 mm	1896 × 669 × 593 mm
Peso: Unidad sin batería, accesorio de corte ni protección Unidad con batería, accesorio de corte especificado, protección y arnés	3,2 kg 6,0 kg	3,7 kg 6,9 kg
Accesorio de corte: Cabezal de corte del hilo de nailon (franja de corte) Rosca Tamaño de la cuerda de nailon (diámetro) Longitud de cuerda de nailon	SF400 (406) Rosca a la izquierda, paso M10×1,25 2,4 mm 3,5 m	
Caja de engranajes: Relación de engranajes y lubricación Dirección de giro del eje de salida visto desde arriba Frecuencia máxima de giro del eje	Reducción 1,62 y grasa de litio de buena calidad En sentido contrario a las agujas del reloj 5700 min ⁻¹	
Batería: Tipo Tensión del pack Tipo de cargador Tensión de entrada del cargador	Iones de litio 56 voltios (nominal 50,4 V) CCCV 220 - 240 voltios de CA	
Luces del cargador de la batería:	LED rojo - La temperatura de carga de la batería está fuera de los límites LED rojo parpadeando - Fallo LED verde - Fin de carga de la batería LED verde parpadeando - La batería está cargando normalmente	
Tiempo de carga:	(con LCJQ-560) Batería LBP-560-100: Aproximadamente 42 minutos. Batería LBP-560-200: Aproximadamente 88 minutos.	
Niveles de vibración: (EN50636-2-91)	Asidero delantero 1,3 m/s ² Asidero trasero 1,5 m/s ² Tolerancia 1,5 m/s ²	Manillar izquierdo 2,1 m/s ² Manillar derecho 1,4 m/s ² Tolerancia 1,5 m/s ²
Nivel de presión acústica: (EN50636-2-91) Nivel de potencia acústica: (EN50636-2-91) Incertidumbre	78,5 dB (A) 92,6 dB (A) 3,0 dB (A)	80,7 dB (A) 91,0 dB (A) 3,0 dB (A)
Nivel de potencia acústica garantizado: (2000/14/CE, Anexo VI)	96 dB (A)	96 dB (A)

Estas características técnicas están sujetas a cambios sin previo aviso.

La vibración y las emisiones de ruido durante el uso real de la unidad pueden diferir de los valores declarados en función de la manera en que se use la herramienta y, en especial, del tipo de pieza de trabajo que se utilice.

Declaración de conformidad

El fabricante abajo firmante:

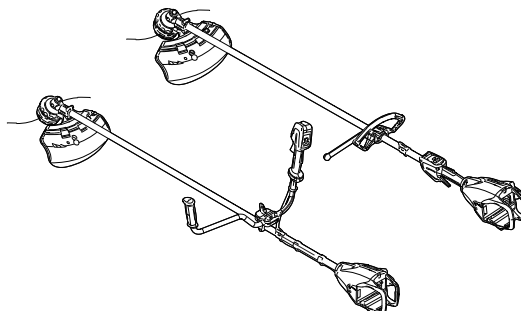
YAMABIKO CORPORATION
1-7-2 Suehirocho, Ohme, Tokio 198-8760 JAPÓN

Declaración de conformidad publicada bajo la exclusiva responsabilidad del fabricante.

Declara que la unidad nueva aquí especificada:

CORTABORDES/DESBROZADORA

Marca: ECHO
Tipo: DSRM-2600



Cumple con:

- * los requisitos de la Directiva **2006/42/CE** (aplicación de la norma armonizada **EN ISO 11806-1:2011, EN 60335-1:2012 +A11: 2014 y EN 50636-2-91:2014**)
- * los requisitos de la Directiva **2014/30/UE** (aplicación de la norma armonizada **EN 55014-1: 2017 +A11: 2020, EN 55014-2: 2015**)
- * los requisitos de la Directiva **2000/14/CE** enmendado por **2005/88/CE**

Procedimiento de evaluación de conformidad según el **ANEXO VI**

TÜV SÜD Industrie Service GmbH (Organismo notificado 0036)
Westendstraße 199 80686 München Deutschland

Nivel de potencia acústica medido: 92,2 dB(A) Manillar único, 91,4 dB(A) Manillar doble

Nivel de potencia acústica garantizado: 96 dB (A)

- * los requisitos de la Directiva **2011/65/UE** (aplicación de la norma armonizada **EN IEC63000: 2018**)

Número de serie del U49735001001 al U49735100000

Tokio, 27 de enero de 2022

YAMABIKO CORPORATION



Hisashi Kobayashi

Director general
Departamento de Garantía de Calidad

El representante autorizado en Europa que está autorizado para compilar el expediente técnico.

Empresa: CERTIFICATION EXPERTS B.V.

Dirección: Amerlandseweg 7, 3621 ZC Breukelen, Países Bajos

Richard Glaser

MEMORANDO

MEMORANDO

YAMABIKO CORPORATION

1-7-2 Suehirocho, Ohme, Tokio 198-8760 JAPÓN
TELÉFONO: 81-428-32-6118. FAX: 81-428-32-6145.



X750816-3801

YAMABIKO CORPORATION
1-7-2 Suehirocho, Ohme, Tokyo 198-8760 JAPAN
PHONE: 81-428-32-6118. FAX: 81-428-32-6145.



X750816-3801

Printed in Japan
2203A 0084 ES